



US00D883884S

(12) **United States Design Patent** (10) **Patent No.:** **US D883,884 S**
Watanuki (45) **Date of Patent:** **** May 12, 2020**

(54) **REAR BUMPER GARNISH FOR
AUTOMOBILE**
(71) Applicant: **Honda Motor Co., Ltd.**, Tokyo (JP)
(72) Inventor: **Shigeru Watanuki**, Wako (JP)
(73) Assignee: **Honda Motor Co., Ltd.**, Tokyo (JP)
(**) Term: **15 Years**

D712,805 S * 9/2014 Murkett D12/169
D738,269 S * 9/2015 Blanski D12/169
D751,003 S * 3/2016 Rugar D12/163
D751,004 S * 3/2016 Rugar D12/163
D776,011 S * 1/2017 La Vecchia D12/92
D786,746 S * 5/2017 Whee D12/169
D794,518 S * 8/2017 Henstridge D12/169
D810,637 S * 2/2018 Wheel D12/169
D813,116 S * 3/2018 Park D12/169
D813,745 S * 3/2018 Behmer D12/169

(Continued)

(21) Appl. No.: **29/658,096**
(22) Filed: **Jul. 27, 2018**
(30) **Foreign Application Priority Data**
Jan. 31, 2018 (JP) 2018-001862
(51) **LOC (12) Cl.** **12-16**
(52) **U.S. Cl.**
USPC **D12/196**
(58) **Field of Classification Search**
USPC D12/86, 90-92, 163, 169, 171, 173, 181,
D12/184, 196, 216, 388
CPC B60R 19/52; B60R 19/02; B60R 19/04;
B60K 11/08; B62D 25/08; B62D 25/18;
B62D 25/184; B62D 25/02; B62D 25/16;
B62D 25/161; B62D 25/168; B62D
25/00; B62D 25/06; B62D 35/00; B62B
9/16; A45C 13/08; A45F 5/10
See application file for complete search history.

OTHER PUBLICATIONS

“Lamborghini Murcielago LP670 Style Rear . . .” NR Automobile Accessories, published Aug. 19, 2016 (Retrieved from the Internet Jan. 2, 2020). Internet URL: <https://web.archive.org/web/20160819120150/https://nrauto.com/product/lamborghini-murcielago-lp670-style-rear-bumper-with-side-vents-finned-diffuser/> (Year: 2016).*

(Continued)

Primary Examiner — Kevin K Rudzinski
Assistant Examiner — Rachel A Voorhies
(74) *Attorney, Agent, or Firm* — Plumsea Law Group, LLC

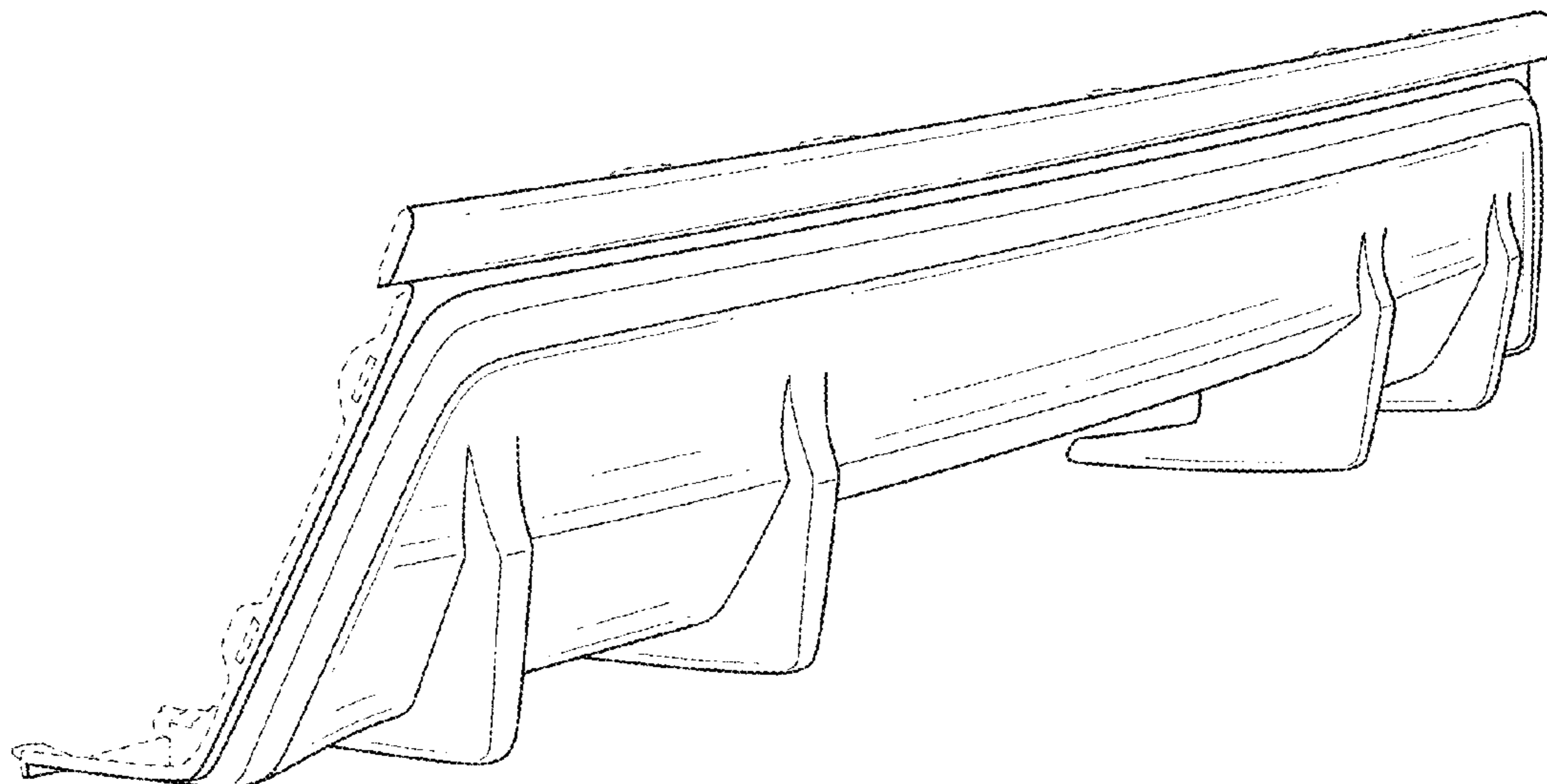
(57) **CLAIM**
The ornamental design for a rear bumper garnish for automobile, as shown and described.

DESCRIPTION

FIG. 1 is a front perspective view of a rear bumper garnish for automobile.
FIG. 2 is a front elevation view thereof.
FIG. 3 is a bottom plan view thereof.
FIG. 4 is a left side elevation view thereof. The right side elevation view being a mirror image; and,
FIG. 5 is a referential view showing use thereof.
The broken lines shown in the drawings illustrate portions of the rear bumper garnish for automobile that form no part of the claimed design.

1 Claim, 5 Drawing Sheets

(56) **References Cited**
U.S. PATENT DOCUMENTS
D418,087 S * 12/1999 Ueno D12/91
D543,920 S * 6/2007 Lai D12/196
D608,691 S * 1/2010 Zak, Jr. D12/91
D640,617 S * 6/2011 Furst D12/169
D689,796 S * 9/2013 Kubo D12/92
D698,283 S * 1/2014 Palm D12/92
D711,287 S * 8/2014 Butterworth D12/92
D712,789 S * 9/2014 Bischoff D12/91



(56)

References Cited

U.S. PATENT DOCUMENTS

D823,193	S	*	7/2018	Kamiura	D12/169
D824,304	S	*	7/2018	Akrapovic	D12/181
D832,744	S	*	11/2018	Wheel	D12/91
D841,518	S	*	2/2019	Tovey	D12/91
D843,279	S	*	3/2019	Jevremovic	D12/169
D847,049	S	*	4/2019	Munsell	D12/169
D849,600	S	*	5/2019	Egan	D12/91
D852,691	S	*	7/2019	Tovey	D12/169
D853,906	S	*	7/2019	Betancourt	D12/169
D854,983	S	*	7/2019	Katou	D12/169
D856,217	S	*	8/2019	Melikian	D12/169
D860,885	S	*	9/2019	Pollard	D12/169
D864,803	S	*	10/2019	Sakai	D12/169
D868,647	S	*	12/2019	Buck	D12/169
D870,003	S	*	12/2019	Bucher	D12/169

OTHER PUBLICATIONS

“Rear Aero Bumper & Rear Diffuser.” Mugen Power, published Dec. 23, 2017 (Retrieved from the Internet Jan. 2, 2020). Internet URL: <<https://web.archive.org/web/20171223020755/http://www.mugen-power.com/common/english/products/CIVICTYPE-R/parts/index.html>> (Year: 2017).*

* cited by examiner

FIG. 1

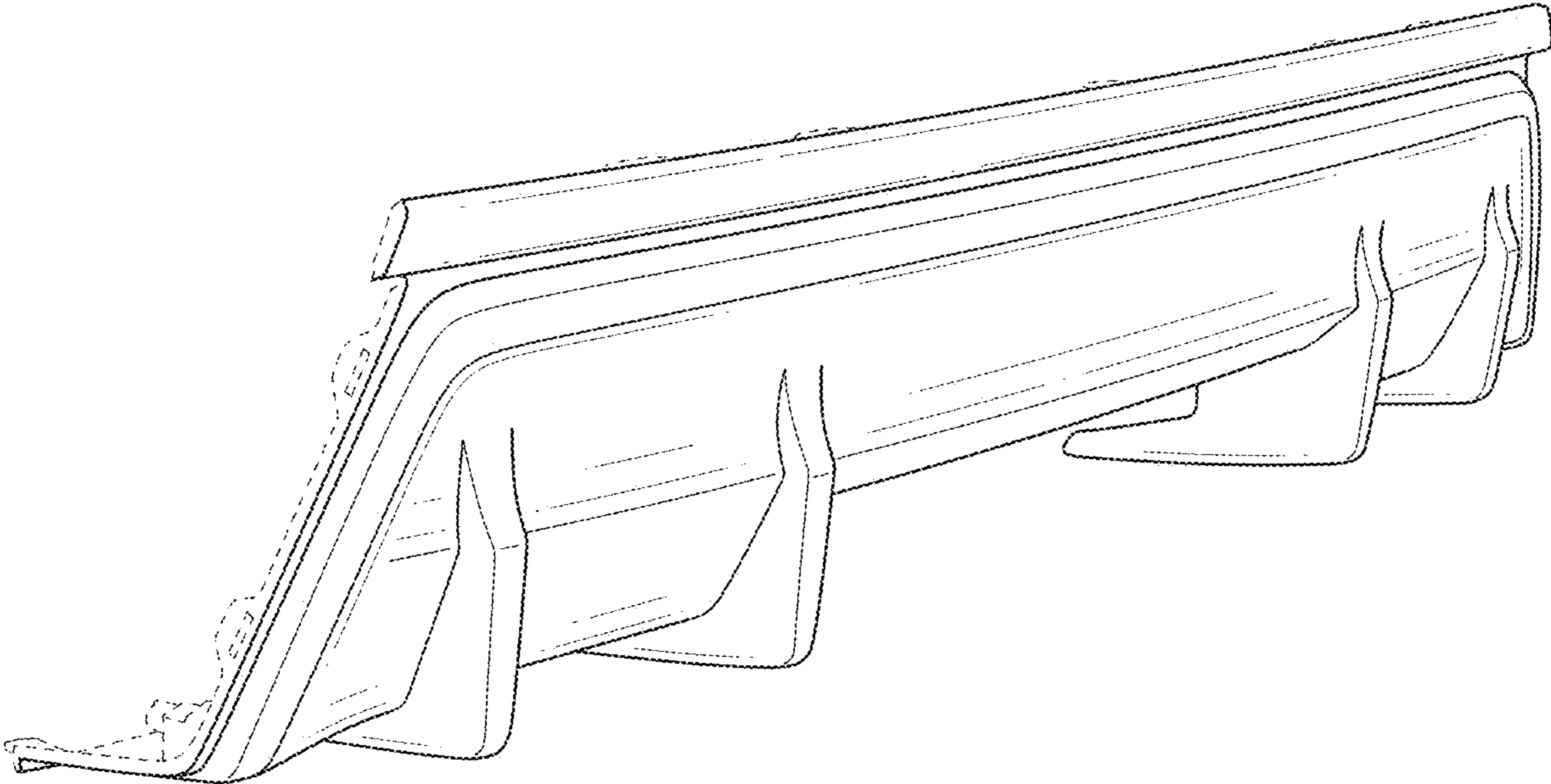


FIG. 2

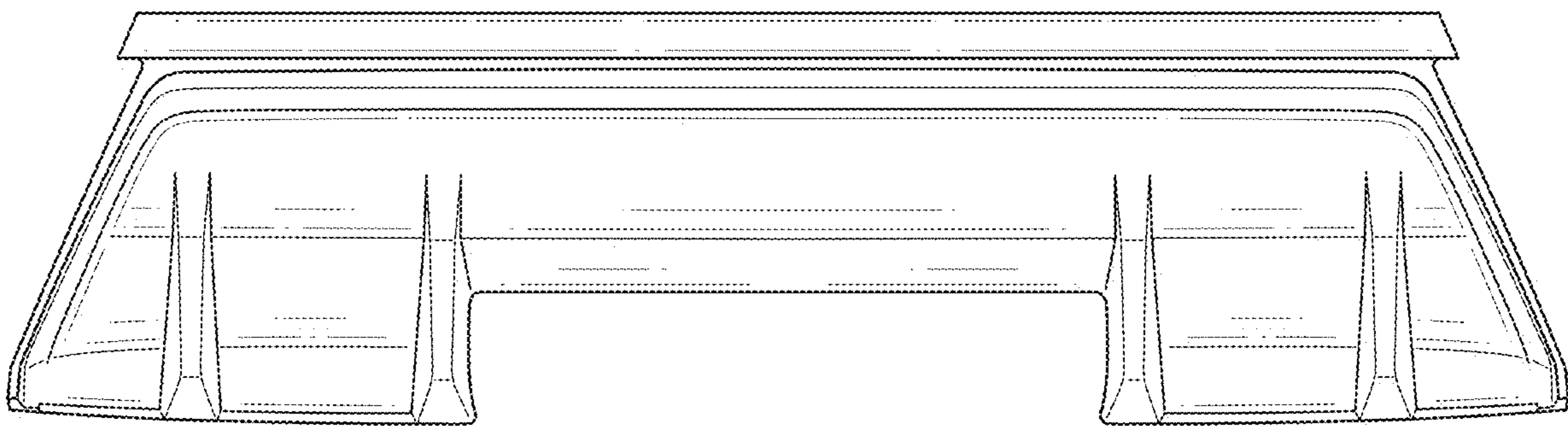


FIG. 3

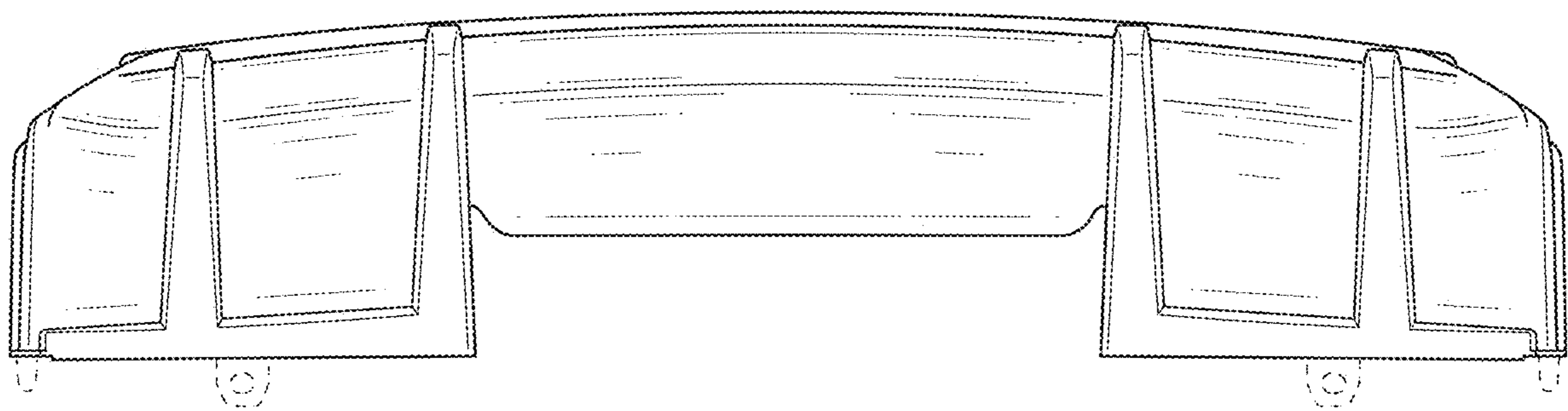


FIG. 4

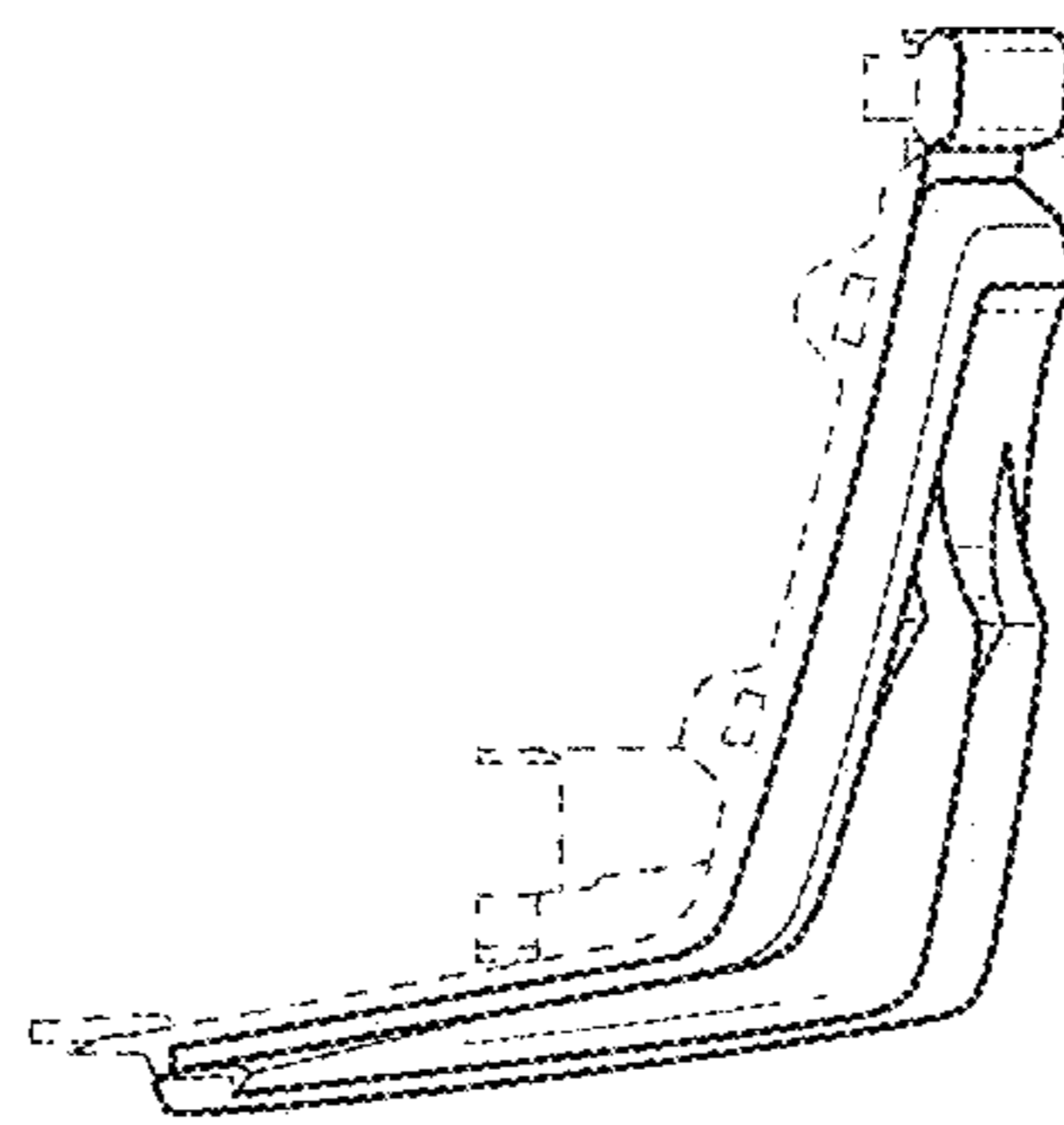


FIG. 5

