



US00D883879S

(12) **United States Design Patent**
Metros et al.

(10) **Patent No.:** **US D883,879 S**

(45) **Date of Patent:** **** May 12, 2020**

(54) **VEHICLE MIRROR**

(71) Applicant: **Ford Global Technologies, LLC,**
Dearborn, MI (US)

(72) Inventors: **Craig Metros,** Bloomfield, MI (US);
George Bucher, Dearborn, MI (US);
James Grake, Beverly Hills, MI (US)

(73) Assignee: **Ford Global Technologies, LLC,**
Dearborn, MI (US)

(**) Term: **15 Years**

(21) Appl. No.: **29/685,409**

(22) Filed: **Mar. 28, 2019**

(51) **LOC (12) Cl.** **12-16**

(52) **U.S. Cl.**
USPC **D12/187**

(58) **Field of Classification Search**
CPC B60R 1/076; G02B 7/182; G02B 7/18;
G02B 5/08

See application file for complete search history.

(56) **References Cited**

U.S. PATENT DOCUMENTS

D642,503 S	8/2011	Tonello	
D642,504 S	8/2011	Tonello	
D668,595 S	10/2012	Tonello	
D708,560 S *	7/2014	George	D12/187
D709,416 S *	7/2014	Mays	D12/187

D724,510 S *	3/2015	McMahan	D12/187
D746,196 S *	12/2015	Di Buduo	D12/187
D782,379 S *	3/2017	Wassell	D12/187
D792,824 S	7/2017	Bucher et al.	
D794,520 S	8/2017	Bucher et al.	
D802,502 S *	11/2017	McMahan	D12/187
D804,379 S *	12/2017	McMahan	D12/187
D809,442 S *	2/2018	Zipfel	D12/187
D839,157 S *	1/2019	Smith	D12/187
D840,885 S *	2/2019	Park Cheng	D12/187
D873,745 S *	1/2020	Ruiz	D12/187

* cited by examiner

Primary Examiner — Katrina A Betton

(74) *Attorney, Agent, or Firm* — Vichit Chea

(57) **CLAIM**

The ornamental design for a vehicle mirror, as shown and described.

DESCRIPTION

FIG. 1 is a front elevational view of a vehicle mirror, showing our new design;

FIG. 2 is a rear elevational view thereof;

FIG. 3 is a left side elevational view thereof;

FIG. 4 is a right side elevational view thereof;

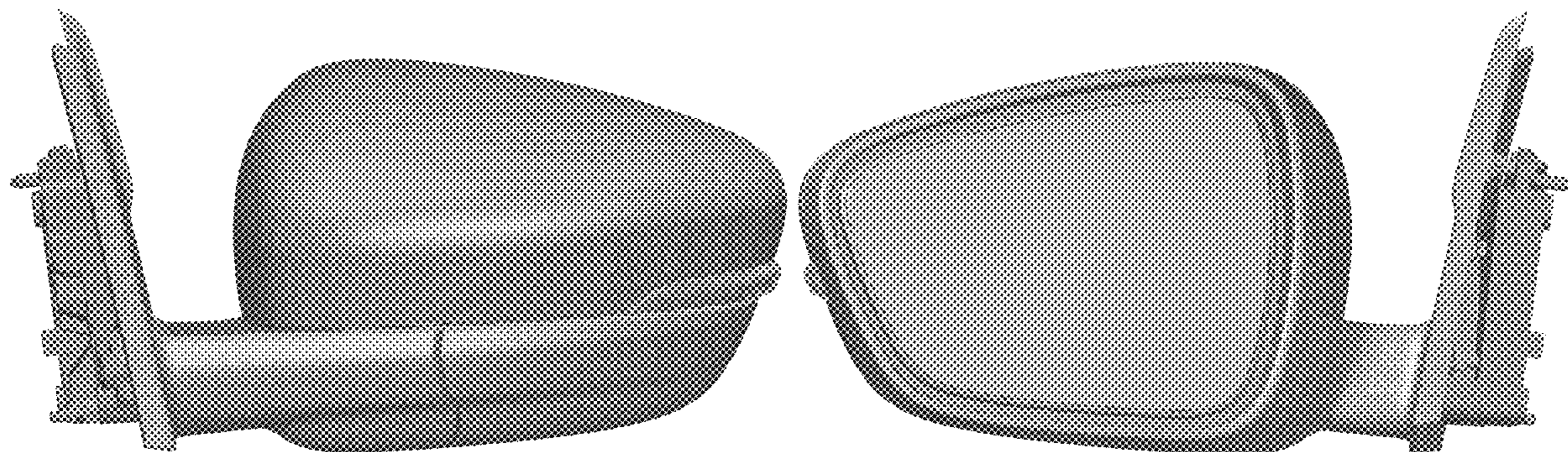
FIG. 5 is a top plan view thereof;

FIG. 6 is a bottom plan view thereof;

FIG. 7 is a top, front and left side perspective view thereof; and,

FIG. 8 is a bottom, front and left side perspective view thereof.

1 Claim, 8 Drawing Sheets



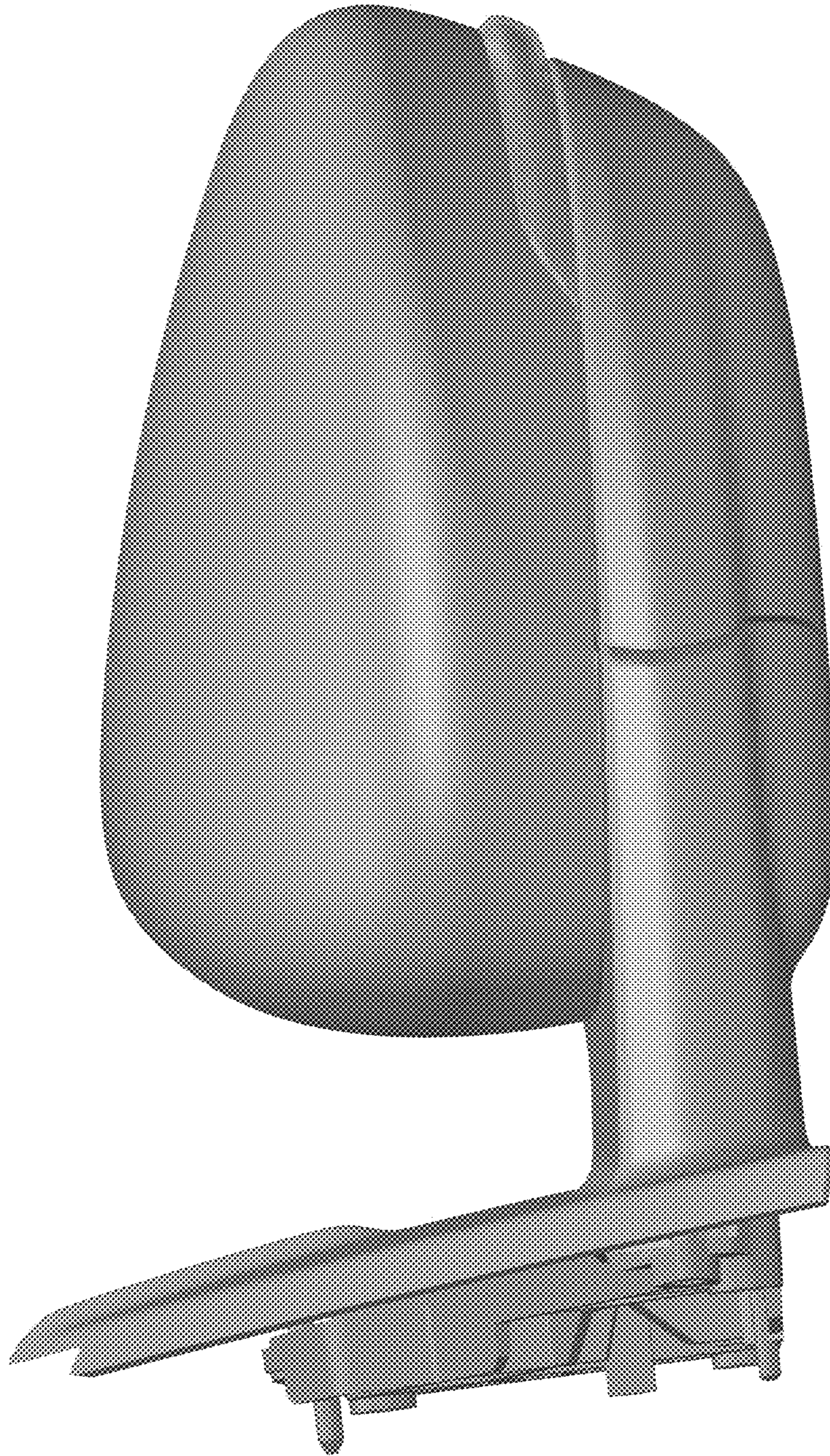


Fig.1



Fig. 2

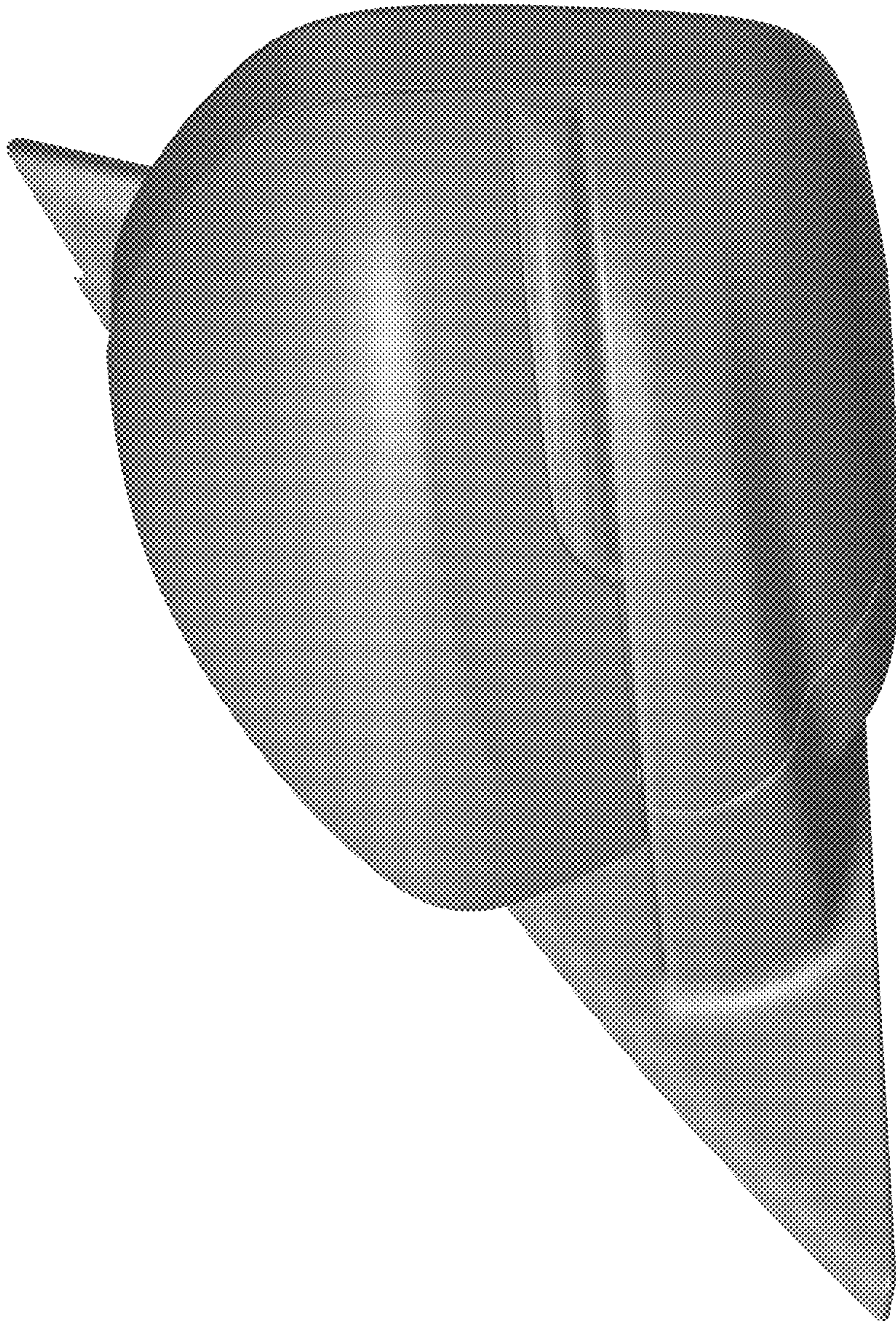


Fig. 3

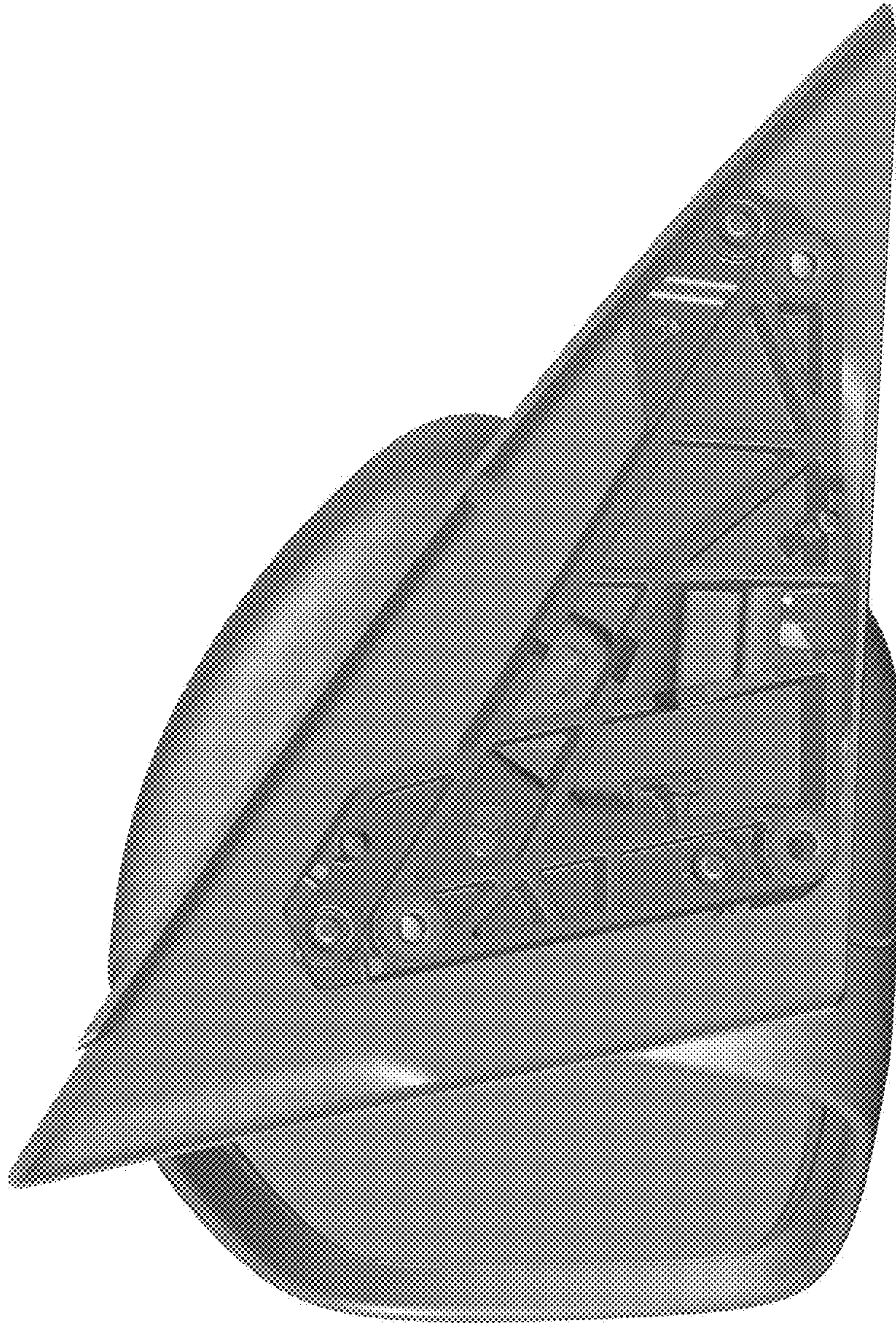


Fig. 4

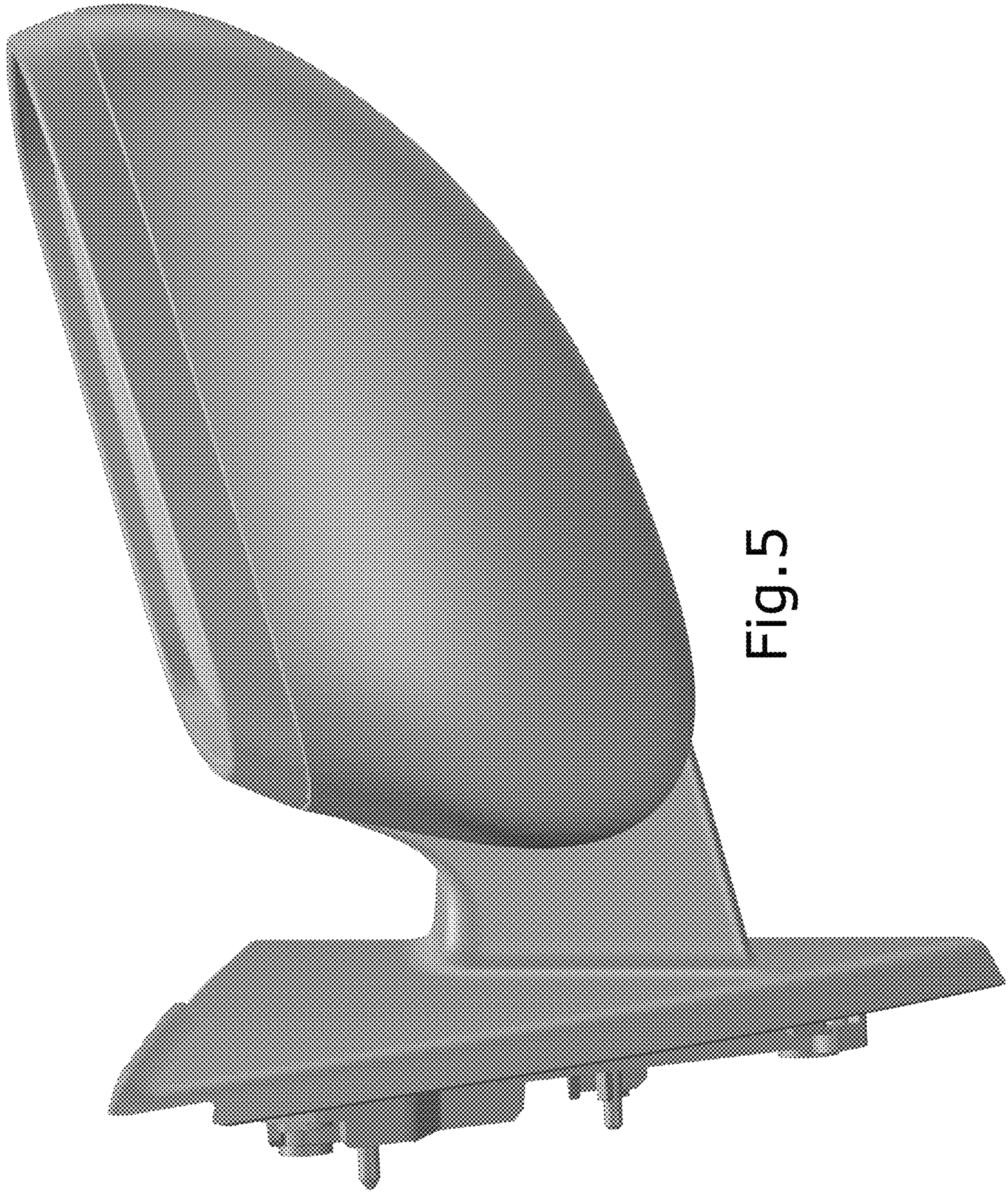


Fig. 5

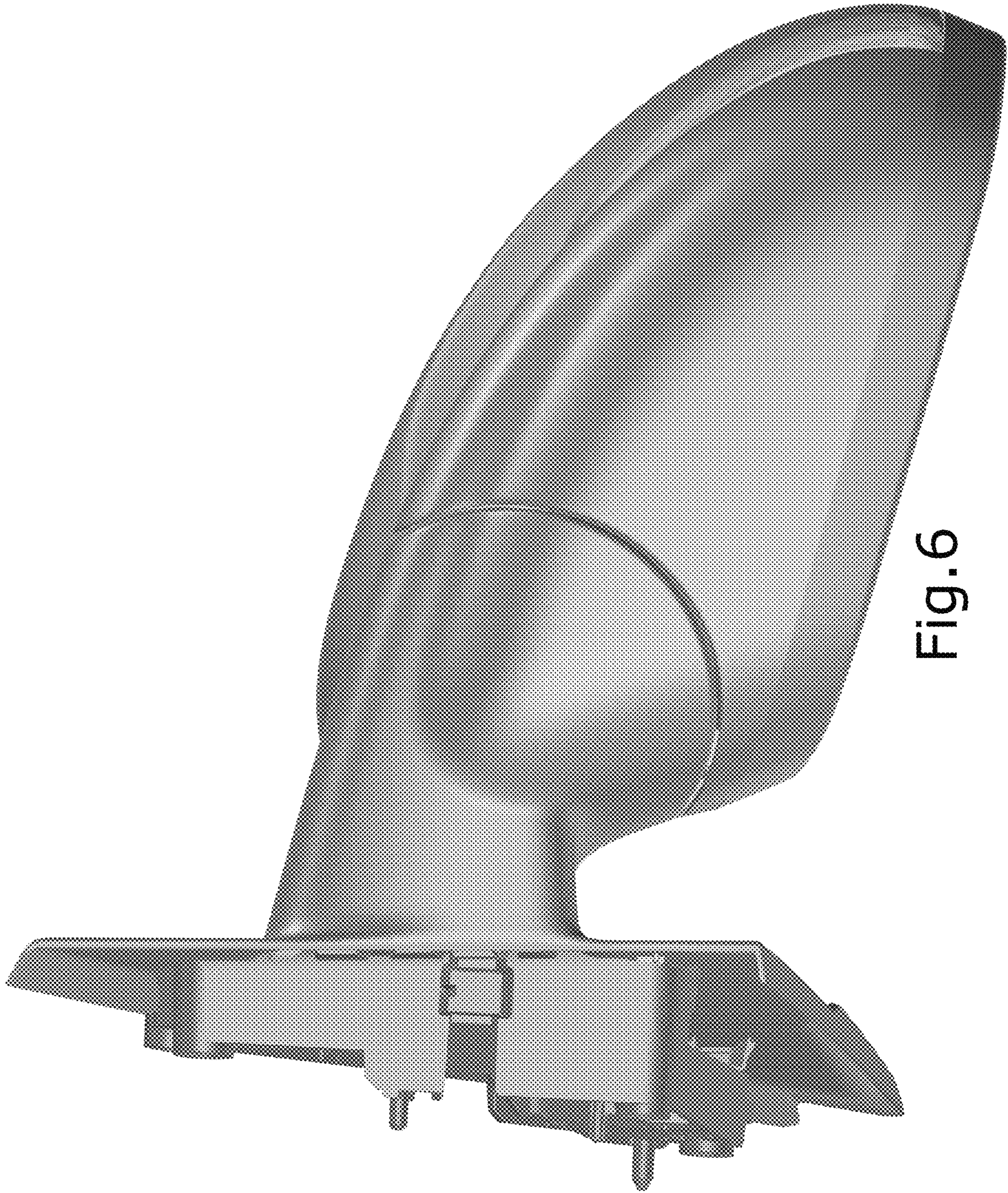


Fig. 6

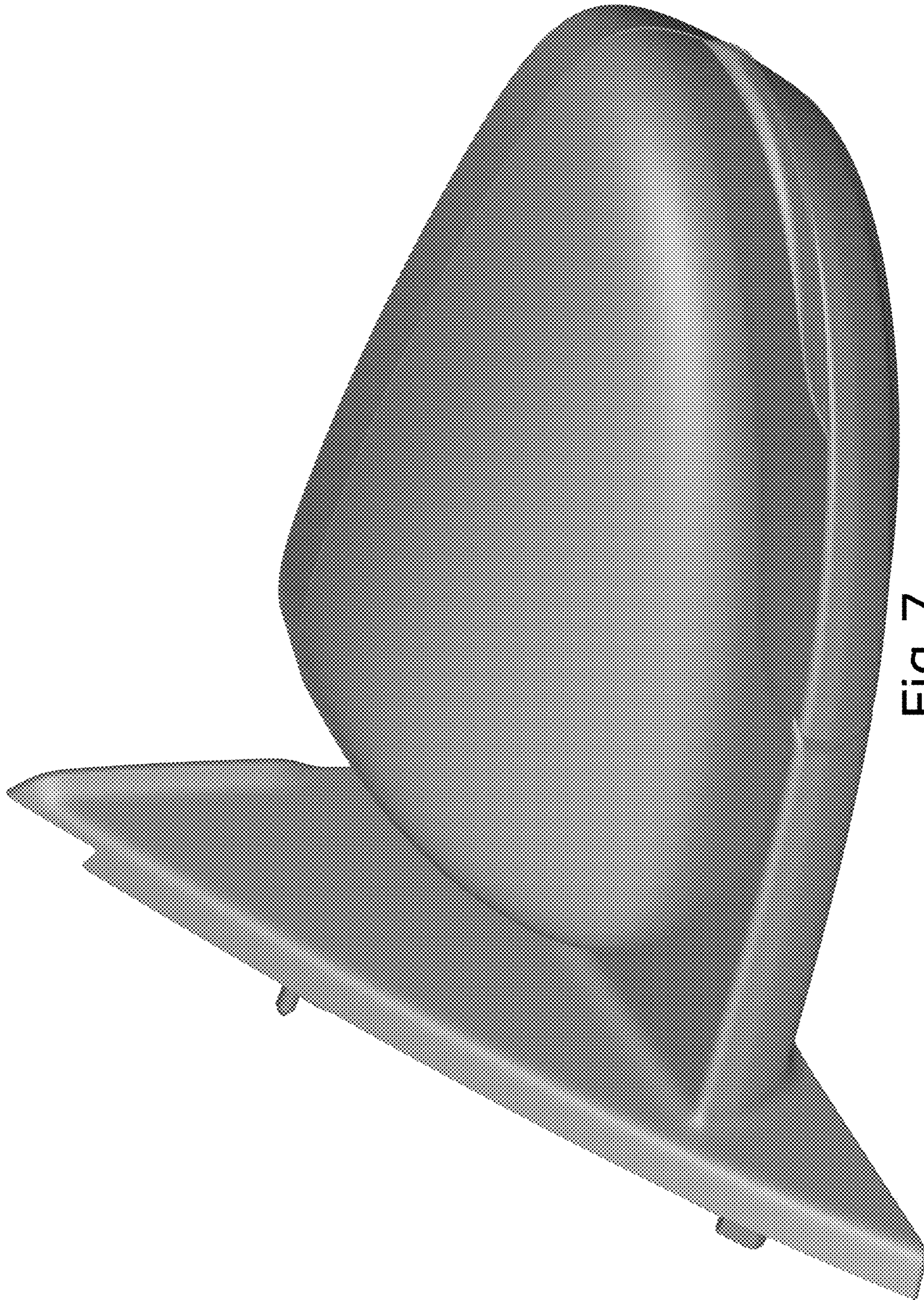


Fig. 7

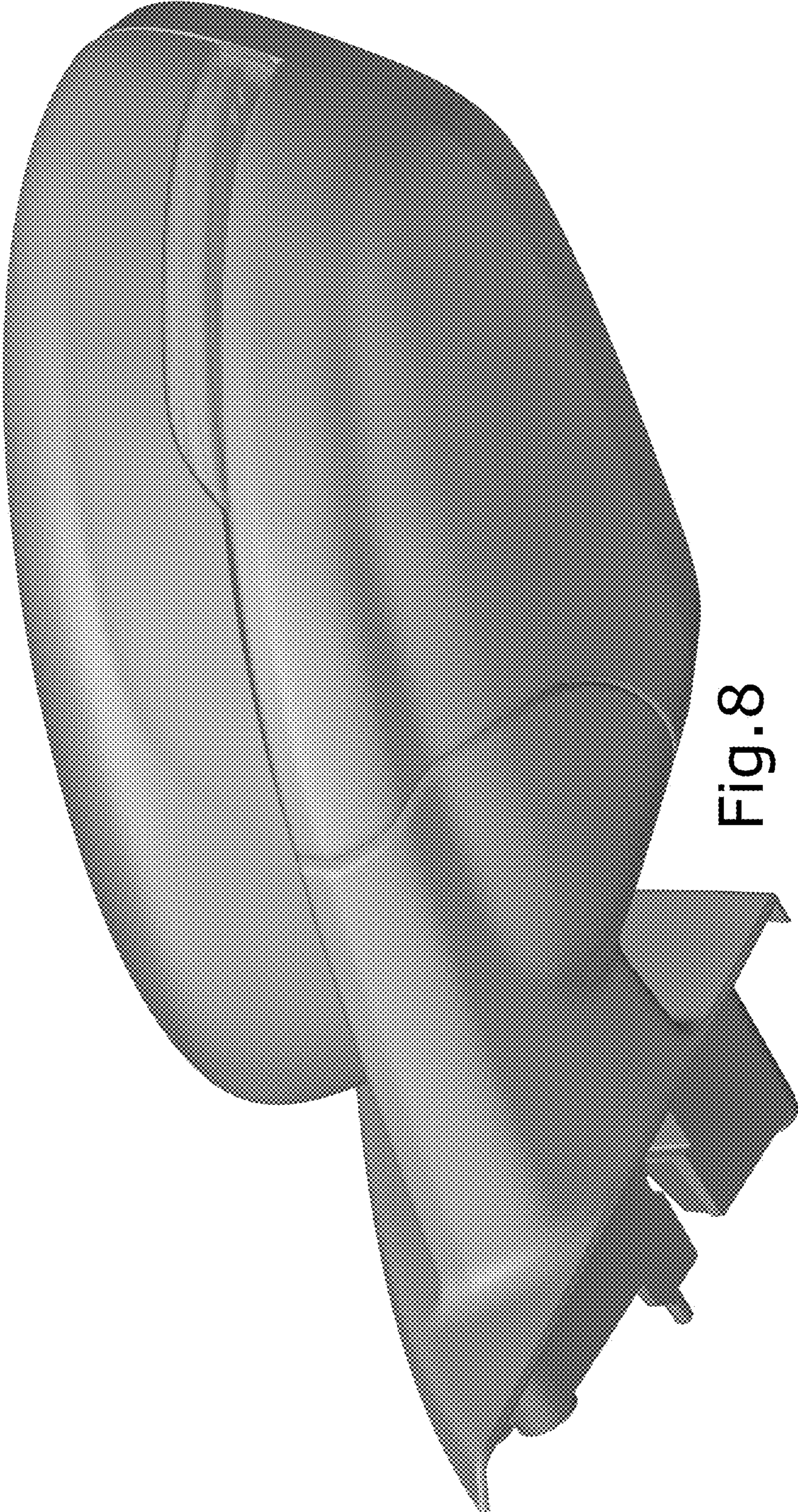


Fig. 8