



US00D883878S

(12) **United States Design Patent** (10) **Patent No.:** **US D883,878 S**
Metros et al. (45) **Date of Patent:** **** May 12, 2020**

- (54) **VEHICLE MIRROR**
- (71) Applicant: **Ford Global Technologies, LLC**,
Dearborn, MI (US)
- (72) Inventors: **Craig Metros**, Bloomfield, MI (US);
George Bucher, Dearborn, MI (US);
James Grake, Beverly Hills, MI (US)
- (73) Assignee: **Ford Global Technologies, LLC**,
Dearborn, MI (US)
- (**) Term: **15 Years**
- (21) Appl. No.: **29/685,408**
- (22) Filed: **Mar. 28, 2019**
- (51) **LOC (12) Cl.** **12-16**
- (52) **U.S. Cl.**
USPC **D12/187**
- (58) **Field of Classification Search**
CPC B60R 1/076; G02B 7/182; G02B 7/18;
G02B 5/08
See application file for complete search history.

(56) **References Cited**

U.S. PATENT DOCUMENTS

- D642,503 S 8/2011 Tonello
- D642,504 S 8/2011 Tonello
- D668,595 S 10/2012 Tonello
- D708,560 S * 7/2014 George D12/187
- D709,416 S * 7/2014 Mays D12/187

- D724,510 S * 3/2015 McMahan D12/187
- D746,196 S * 12/2015 Di Buduo D12/187
- D782,379 S * 3/2017 Wassell D12/187
- D792,824 S 7/2017 Bucher et al.
- D794,520 S 8/2017 Bucher et al.
- D802,502 S * 11/2017 McMahan D12/187
- D804,379 S * 12/2017 McMahan D12/187
- D809,442 S * 2/2018 Zipfel D12/187
- D839,157 S * 1/2019 Smith D12/187
- D840,885 S * 2/2019 Park Cheng D12/187
- D873,745 S * 1/2020 Ruiz D12/187

* cited by examiner

Primary Examiner — Katrina A Betton

(74) *Attorney, Agent, or Firm* — Vichit Chea

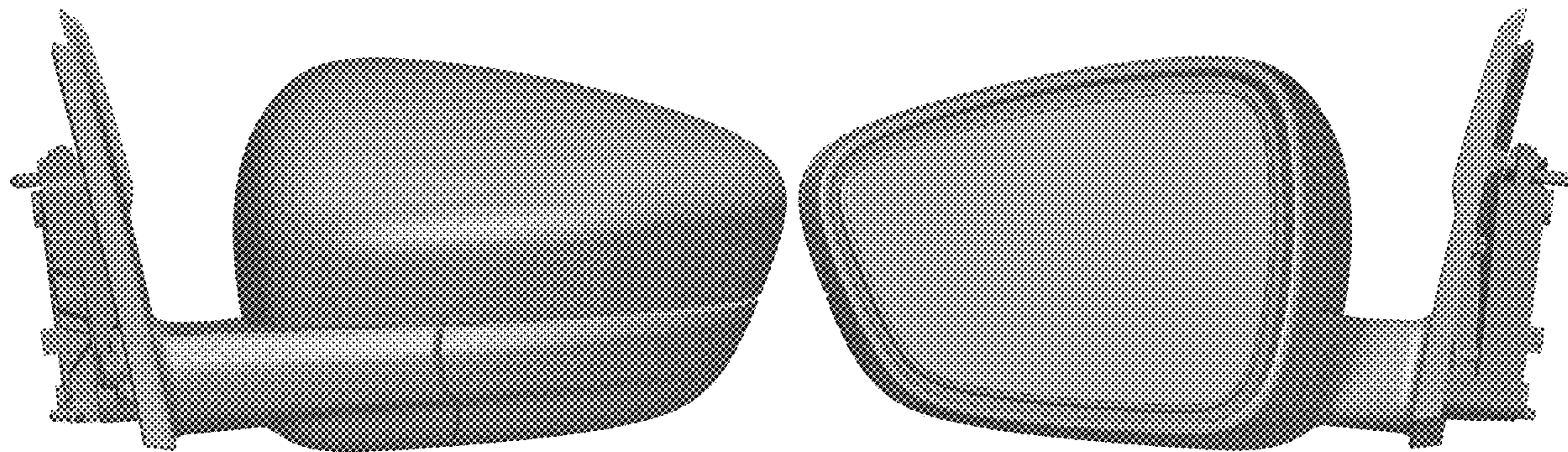
(57) **CLAIM**

The ornamental design for a vehicle mirror, as shown and described.

DESCRIPTION

FIG. 1 is a front elevational view of a vehicle mirror, showing our new design;
 FIG. 2 is a rear elevational view thereof;
 FIG. 3 is a left side elevational view thereof;
 FIG. 4 is a right side elevational view thereof;
 FIG. 5 is a top plan view thereof;
 FIG. 6 is a bottom plan view thereof;
 FIG. 7 is a top, front and left side perspective view thereof;
 and,
 FIG. 8 is a bottom, front and left side perspective view thereof.

1 Claim, 8 Drawing Sheets



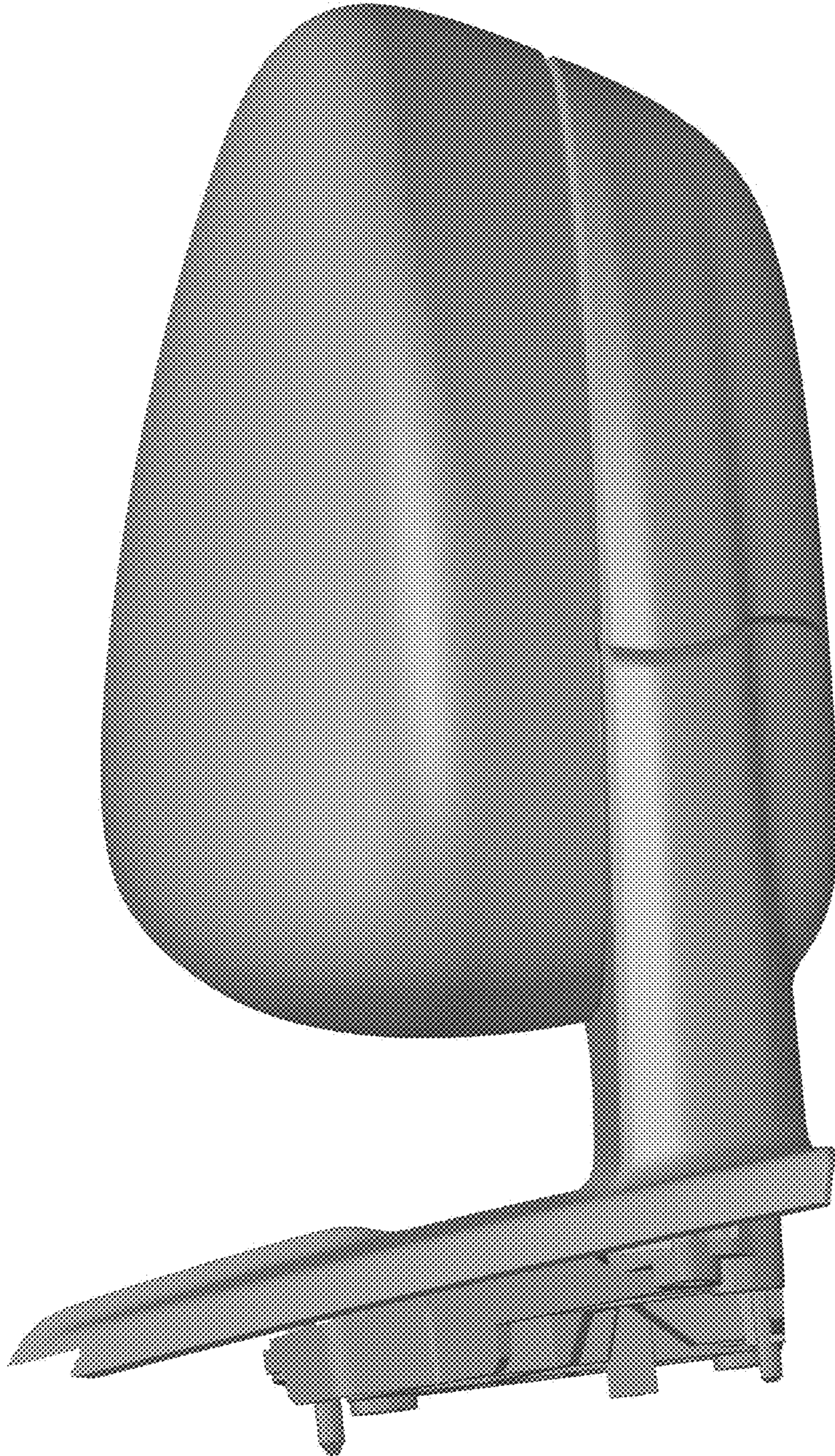


Fig.1



Fig. 2

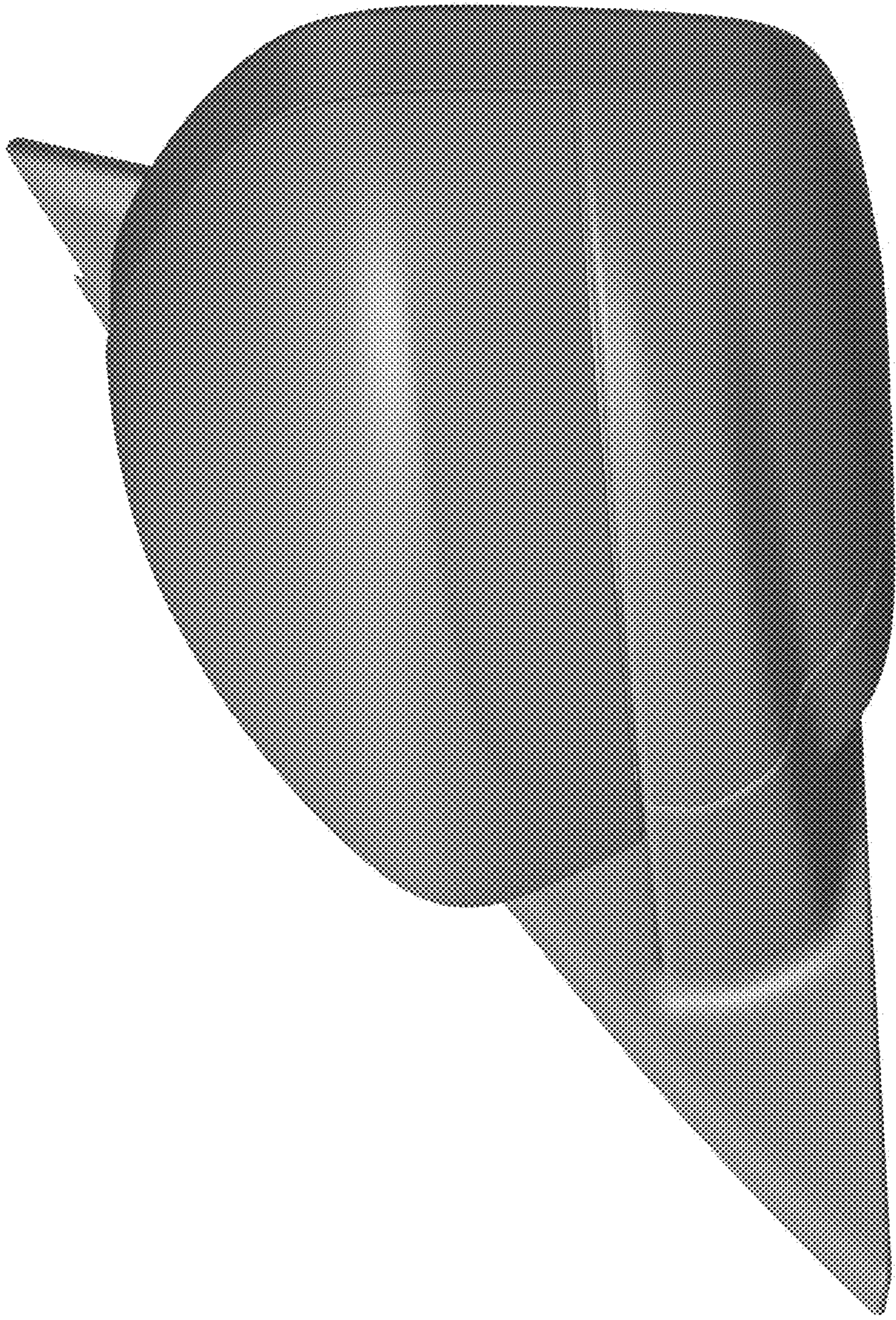


Fig. 3

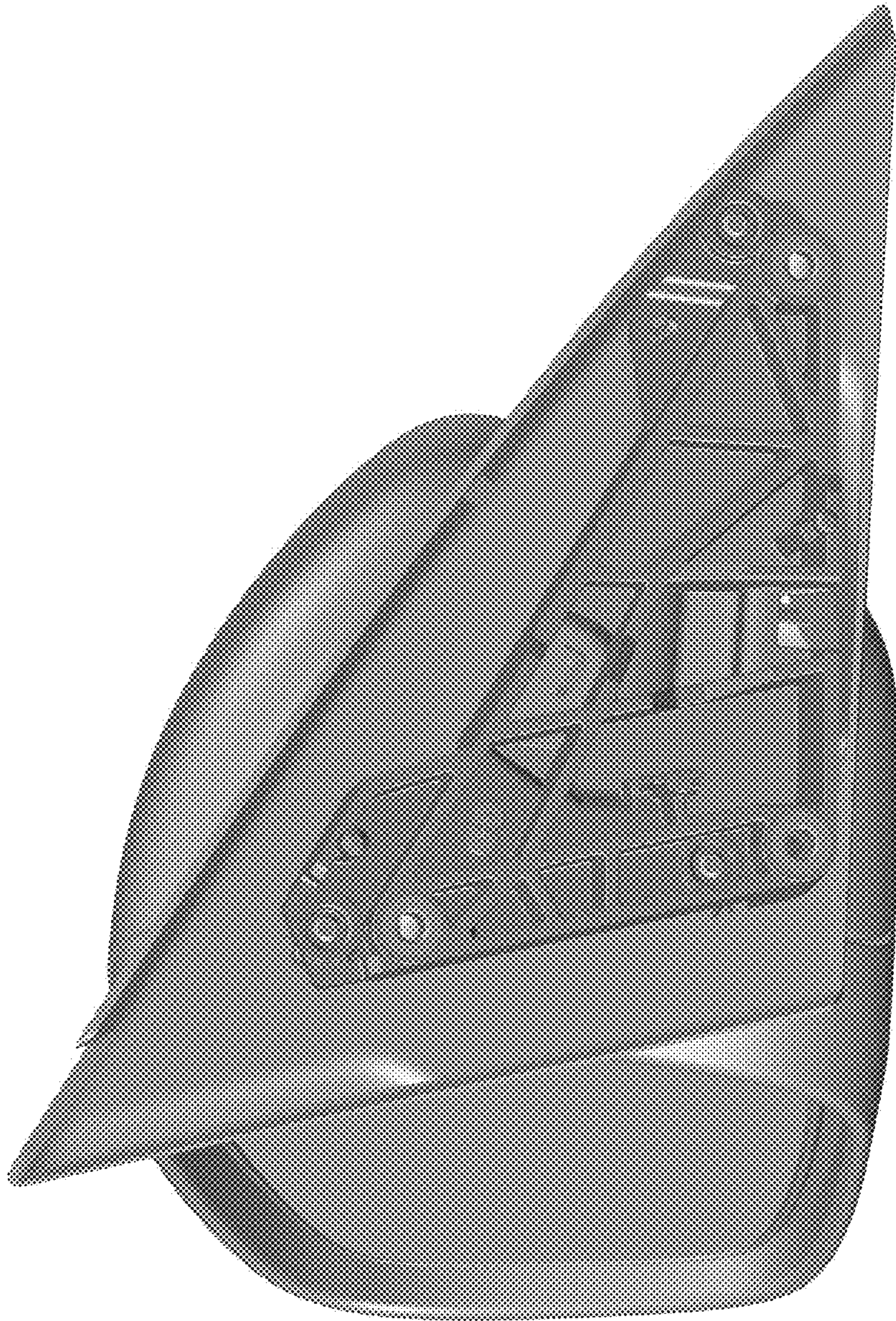


Fig. 4

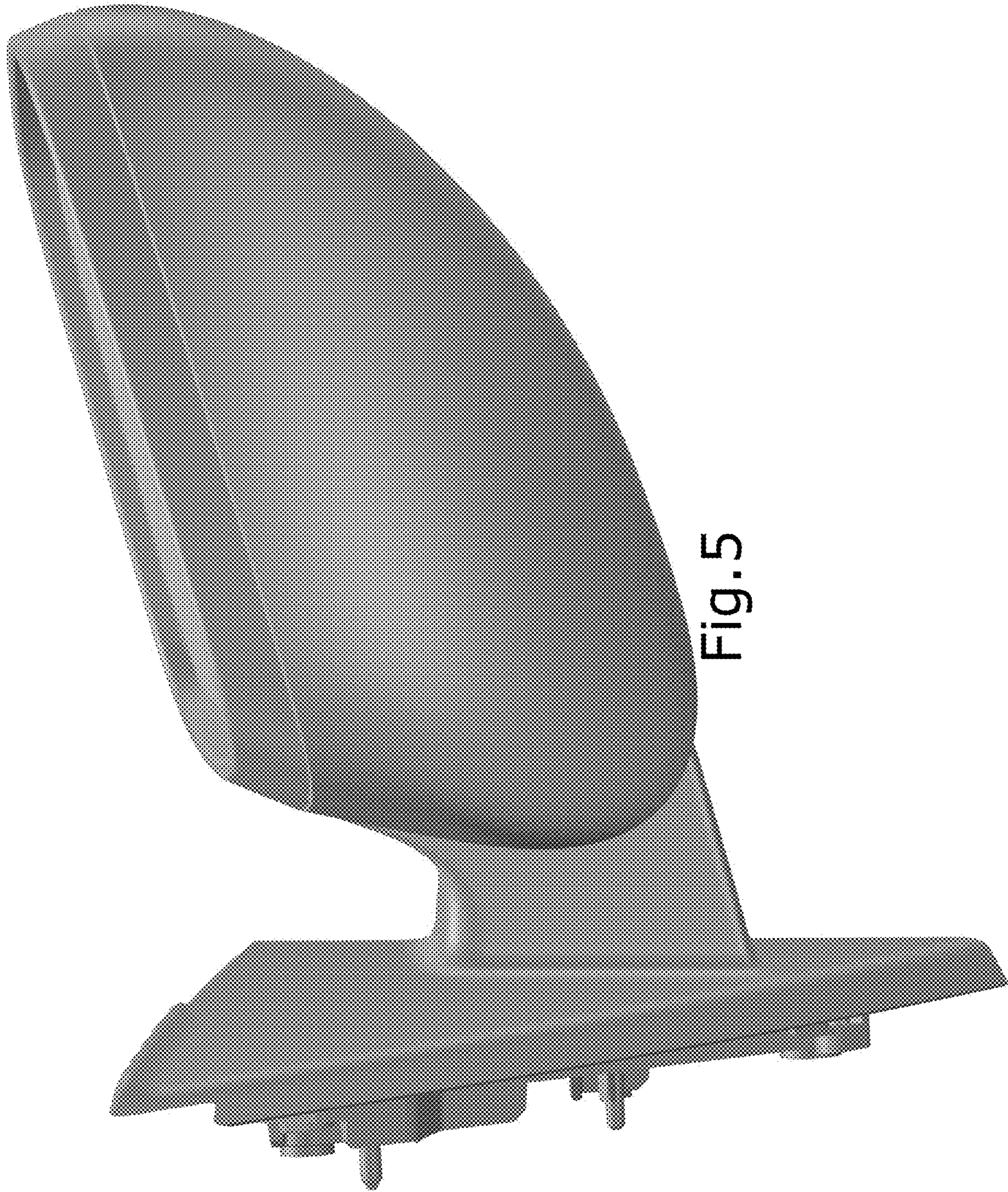


Fig. 5

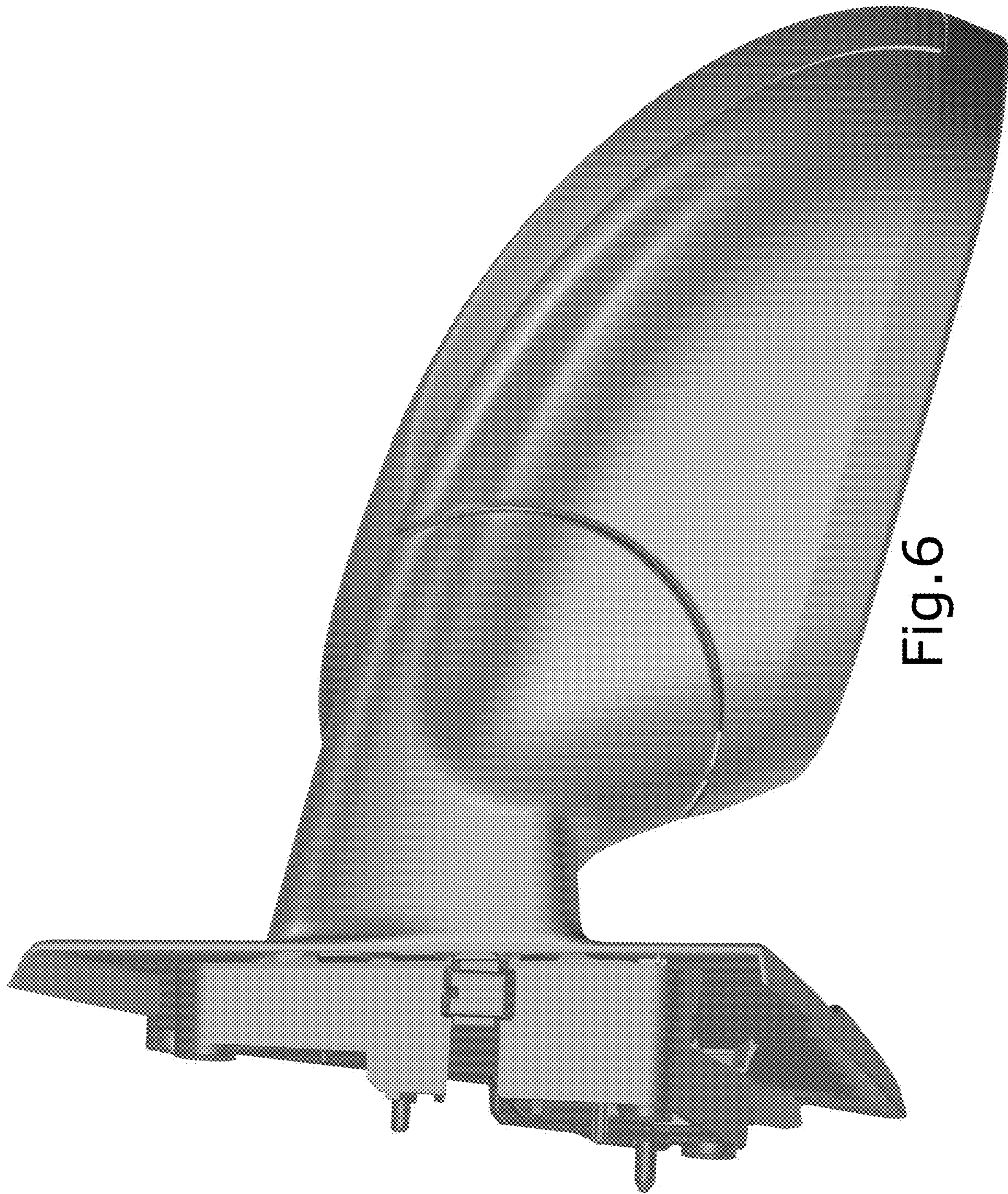


Fig. 6

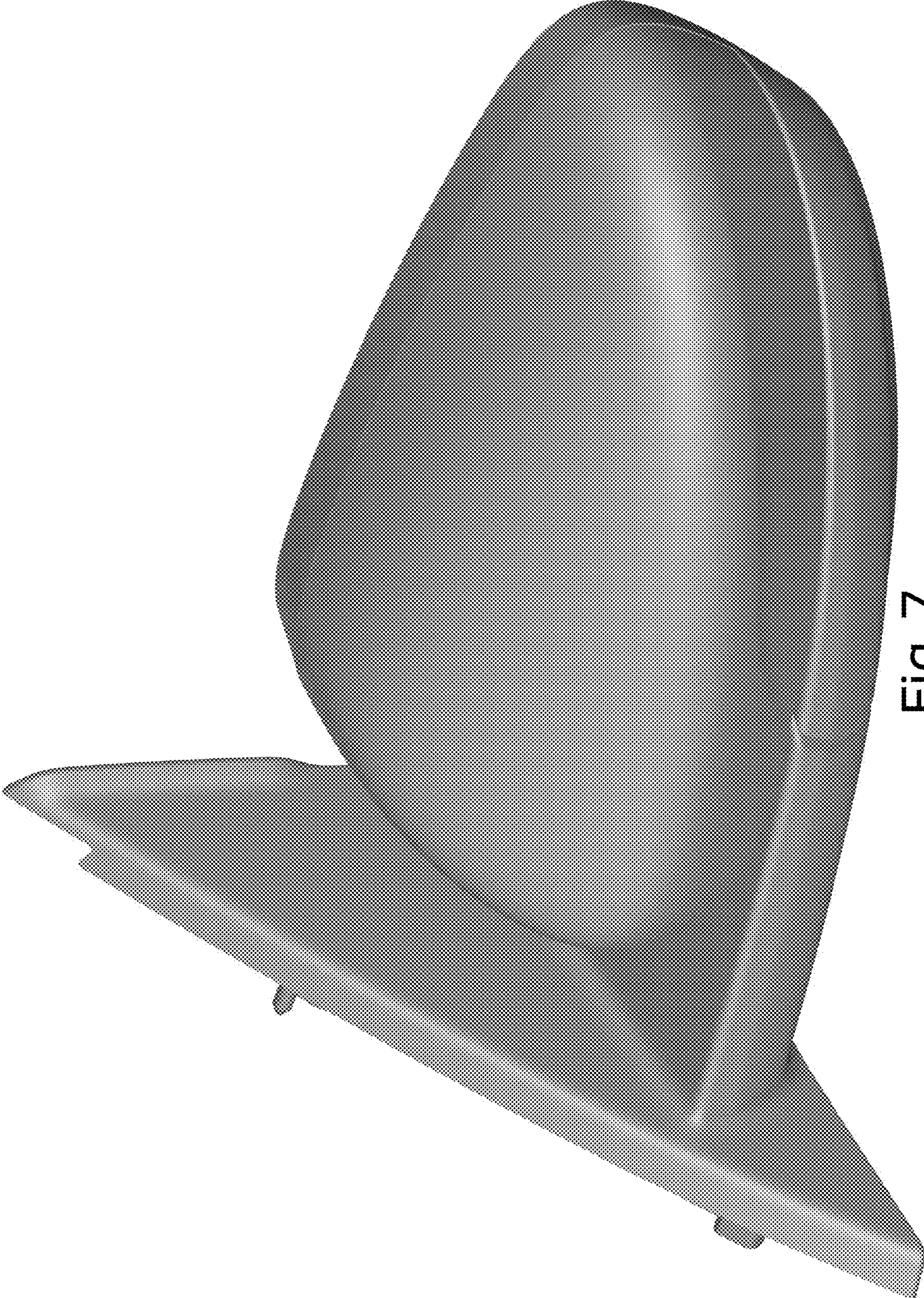


Fig. 7

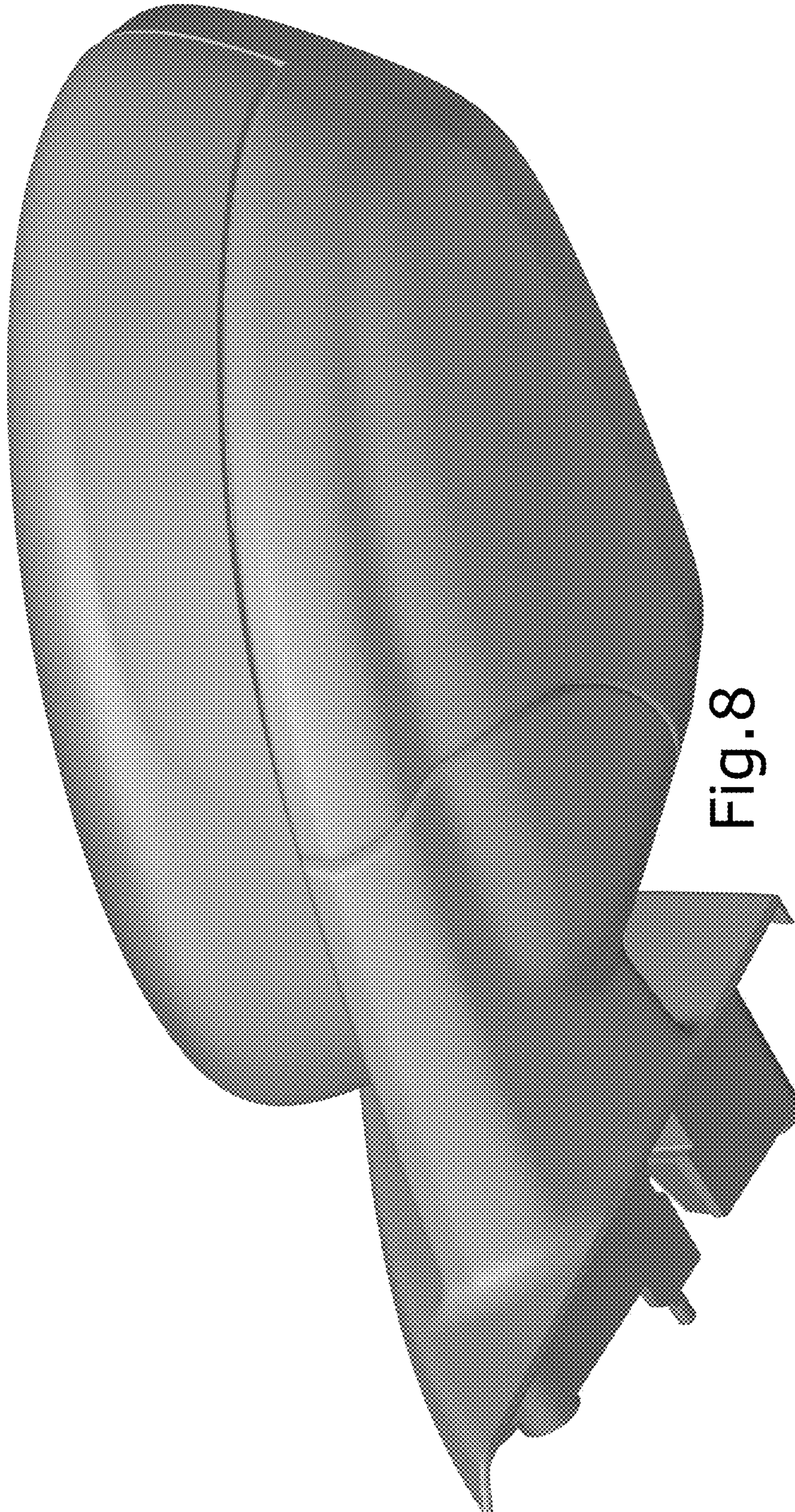


Fig. 8