



US00D883877S

(12) **United States Design Patent** (10) **Patent No.:** **US D883,877 S**  
**Roth** (45) **Date of Patent:** **\*\* May 12, 2020**

(54) **REARVIEW ASSEMBLY**  
(71) Applicant: **Gentex Corporation**, Zeeland, MI (US)  
(72) Inventor: **Mark R. Roth**, Grand Rapids, MI (US)  
(73) Assignee: **GENTEX CORPORATION**, Zeeland, MI (US)  
(\*\*) Term: **15 Years**  
(21) Appl. No.: **29/623,864**  
(22) Filed: **Oct. 27, 2017**  
(51) **LOC (12) Cl.** ..... **12-16**  
(52) **U.S. Cl.**  
USPC ..... **D12/187**  
(58) **Field of Classification Search**  
USPC ..... D12/187, 188-189; D6/300, 309  
CPC ..... B60R 1/076; G02B 7/182; G02B 7/18;  
G02B 5/08  
See application file for complete search history.

D730,254 S 5/2015 Glover et al.  
D746,744 S 1/2016 Sloterbeek et al.  
D761,168 S 7/2016 Roth  
D761,169 S 7/2016 Roth  
D761,170 S 7/2016 Roth  
D761,171 S 7/2016 Roth  
D763,151 S 8/2016 Hamlin  
D786,755 S \* 5/2017 Sloterbeek ..... D12/187  
D809,984 S \* 2/2018 Hamlin ..... D12/187  
D834,476 S \* 11/2018 Tang ..... D12/187  
D845,851 S \* 4/2019 Sloterbeek ..... D12/188

(Continued)

*Primary Examiner* — Katrina A Betton  
(74) *Attorney, Agent, or Firm* — Price Heneveld LLP;  
Bradley D. Johnson

(57) **CLAIM**

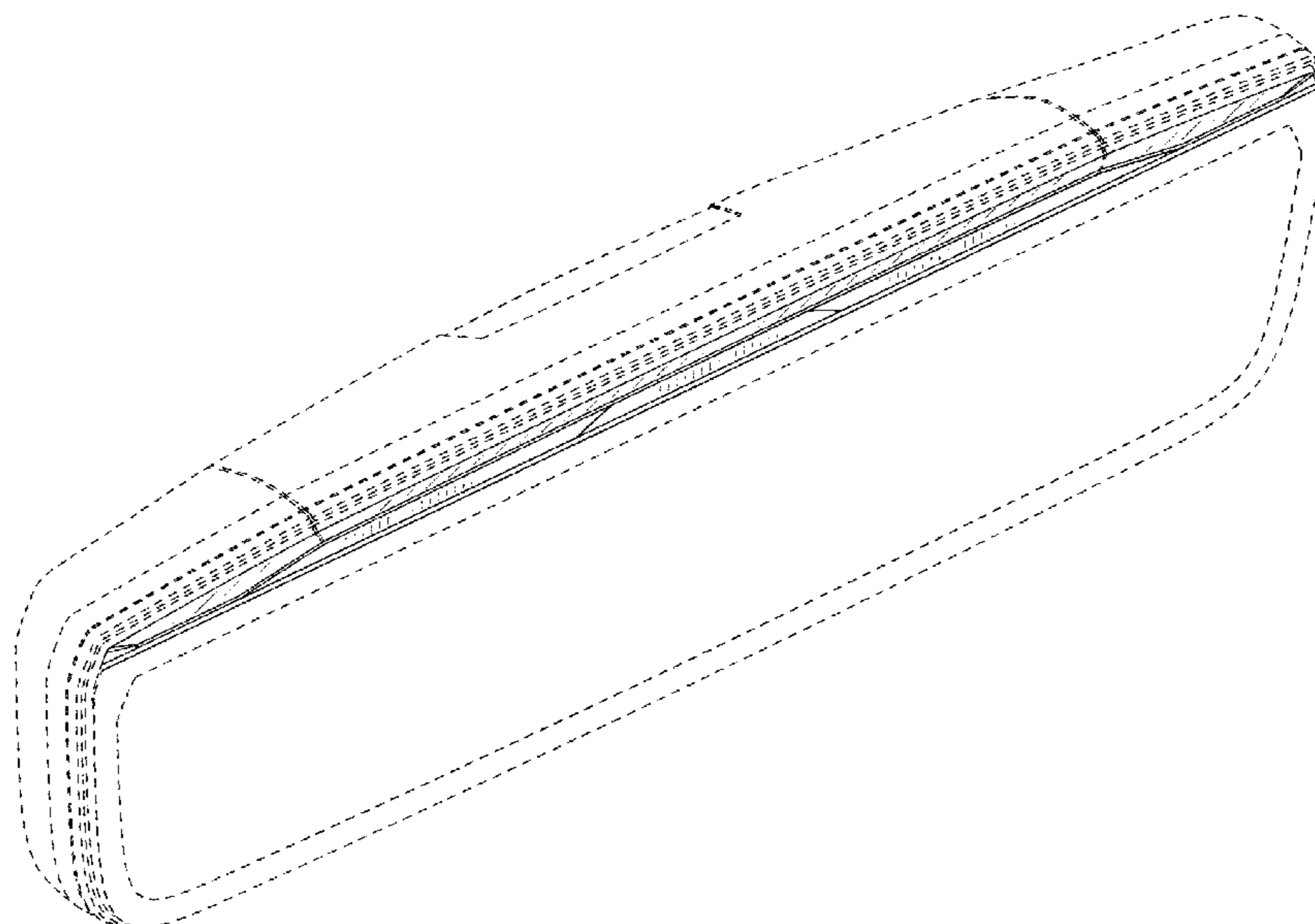
I claim the ornamental design for a rearview assembly, as shown and described.

**DESCRIPTION**

FIG. 1 is a front top left perspective view of a rearview assembly of the present disclosure;  
FIG. 2 is a front bottom right perspective view of the rearview assembly of FIG. 1;  
FIG. 3 is a front elevational view of the rearview assembly of FIG. 1;  
FIG. 4 is a rear elevational view of the rearview assembly of FIG. 1;  
FIG. 5 is a first side elevational view of the rearview assembly of FIG. 1;  
FIG. 6 is a second side elevational view of the rearview assembly of FIG. 1;  
FIG. 7 is a top plan view of the rearview assembly of FIG. 1; and,  
FIG. 8 is a bottom plan view of the rearview assembly of FIG. 1.  
Broken lines are environmental only and form no part of the claimed design.

**1 Claim, 5 Drawing Sheets**

(56) **References Cited**  
U.S. PATENT DOCUMENTS  
D283,998 S 5/1986 Tanaka  
D346,356 S 4/1994 Leu  
D400,481 S 11/1998 Stephens et al.  
D401,200 S 11/1998 Huang  
D451,869 S 12/2001 Knapp et al.  
D471,847 S 3/2003 Rumsey et al.  
D493,131 S 7/2004 Lawlor et al.  
D493,394 S 7/2004 Lawlor et al.  
D499,678 S 12/2004 Bradley  
D553,061 S 10/2007 Schmidt et al.  
D556,105 S 11/2007 Carter et al.  
D659,617 S 5/2012 Brockington et al.  
D670,279 S 11/2012 Veltz et al.  
D685,358 S 7/2013 Armstrong et al.  
D717,704 S 11/2014 Petroff et al.  
D717,705 S 11/2014 Petroff et al.  
D729,714 S 5/2015 Roth



(56)

**References Cited**

U.S. PATENT DOCUMENTS

D853,917 S *	7/2019	Hamlin .....	D12/187
D854,473 S *	7/2019	Hamlin .....	D12/187
2009/0002491 A1 *	1/2009	Haler .....	B60R 1/12 348/148
2015/0077872 A1 *	3/2015	Howard .....	B60R 1/12 359/844

\* cited by examiner

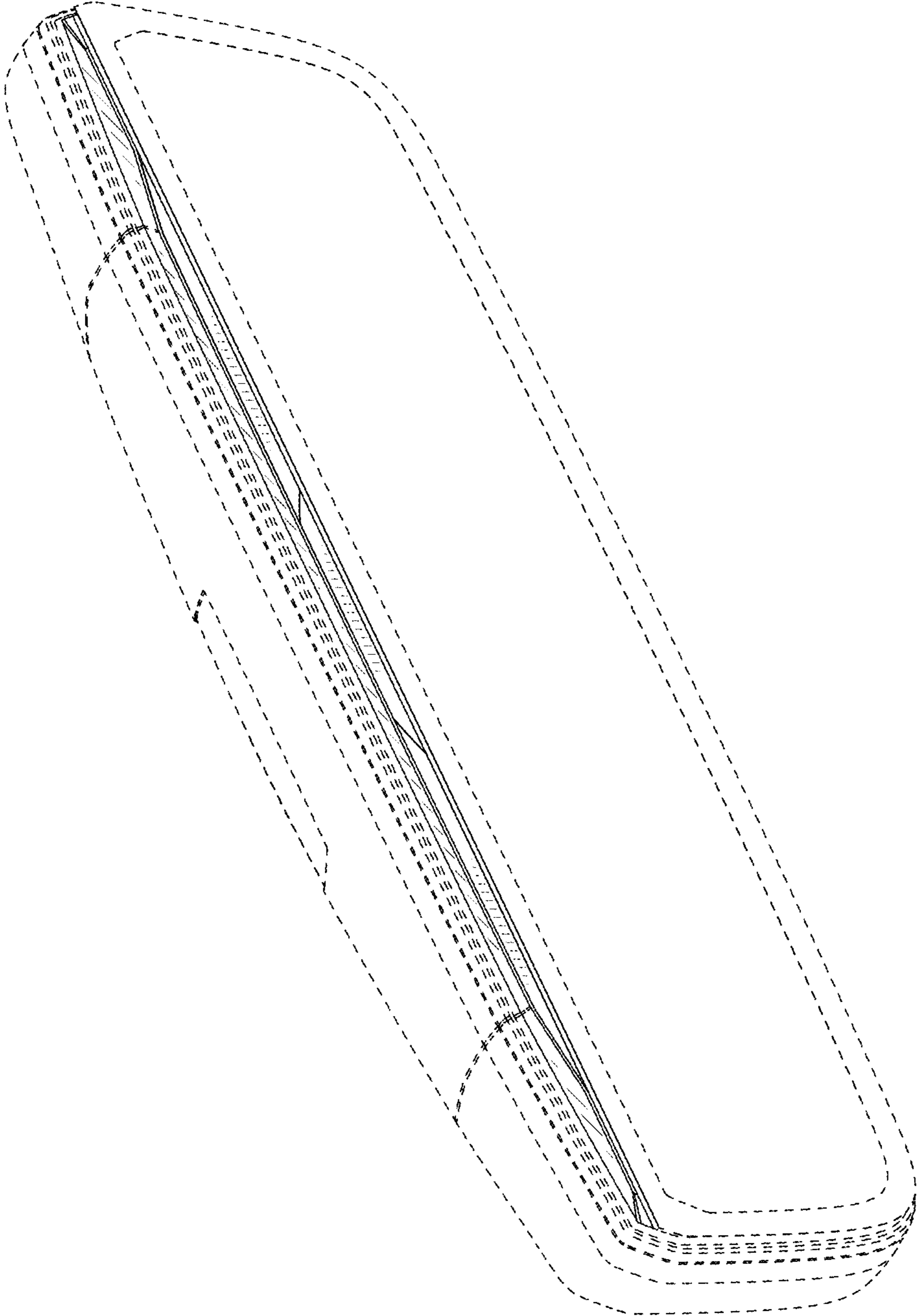


FIG. 1

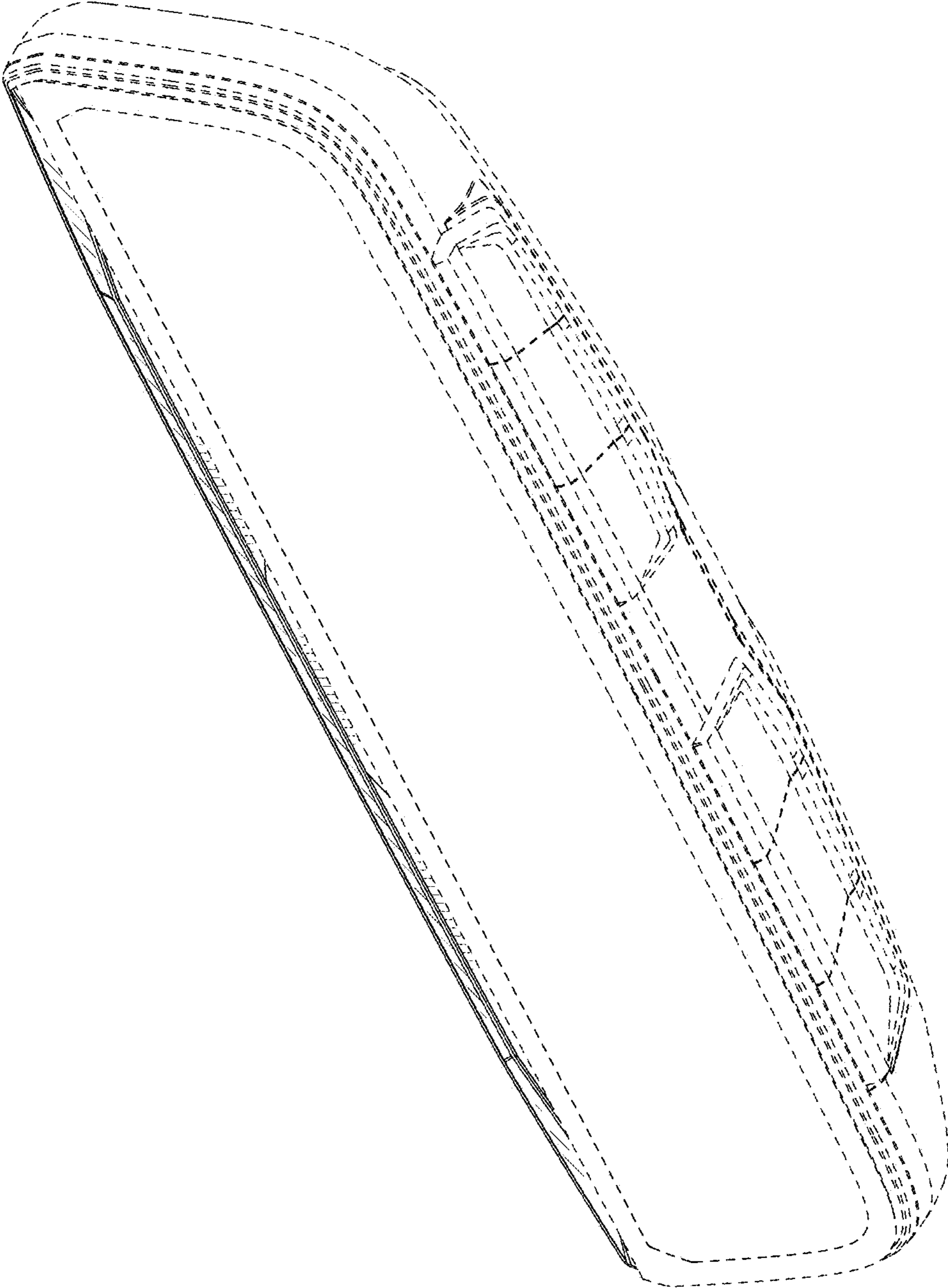


FIG. 2



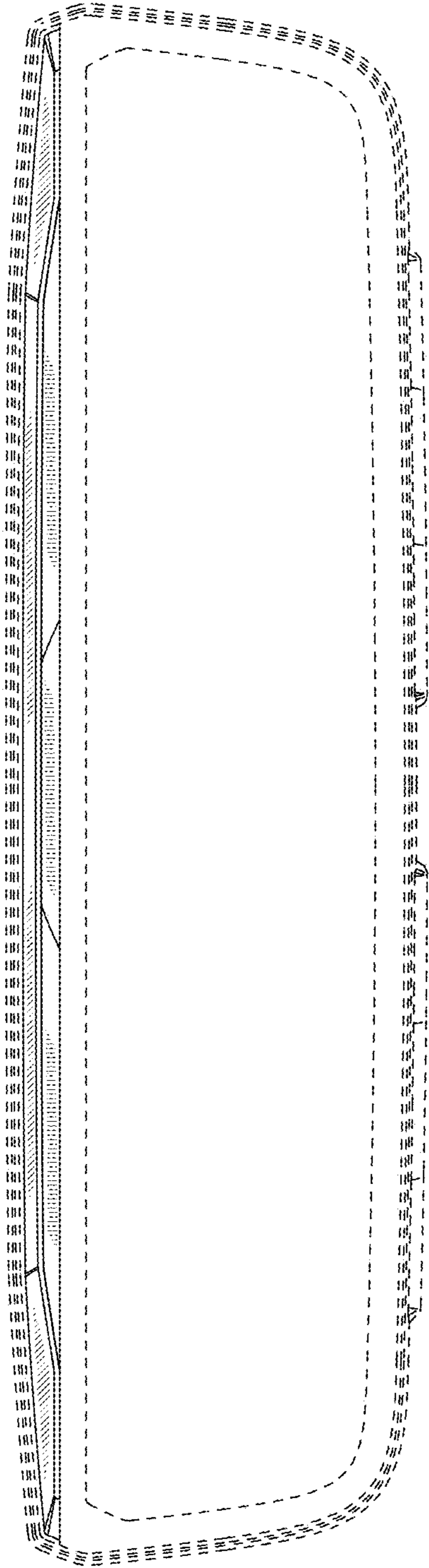


FIG. 3

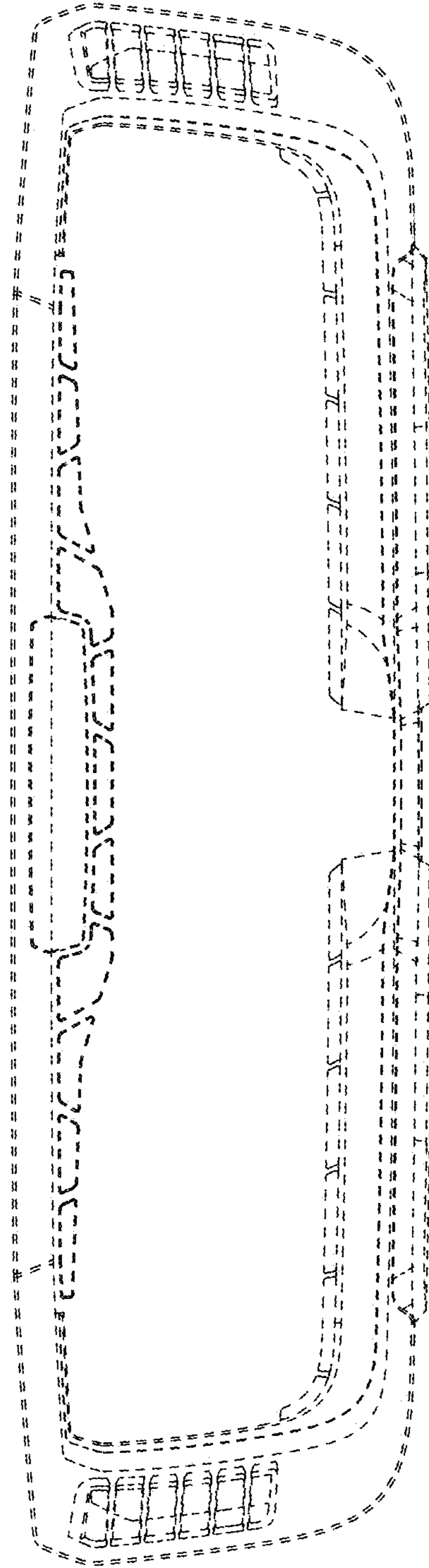


FIG. 4

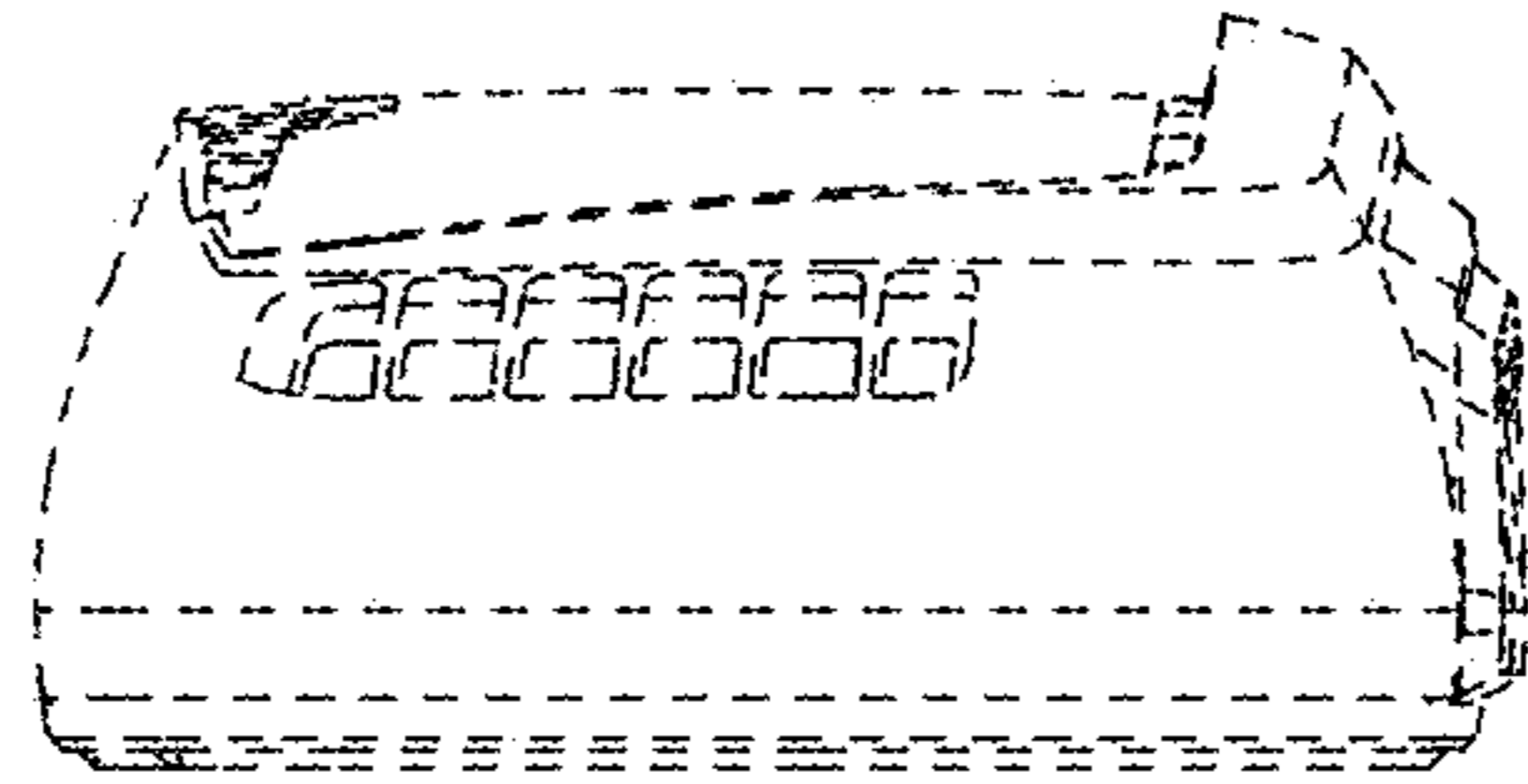


FIG. 6

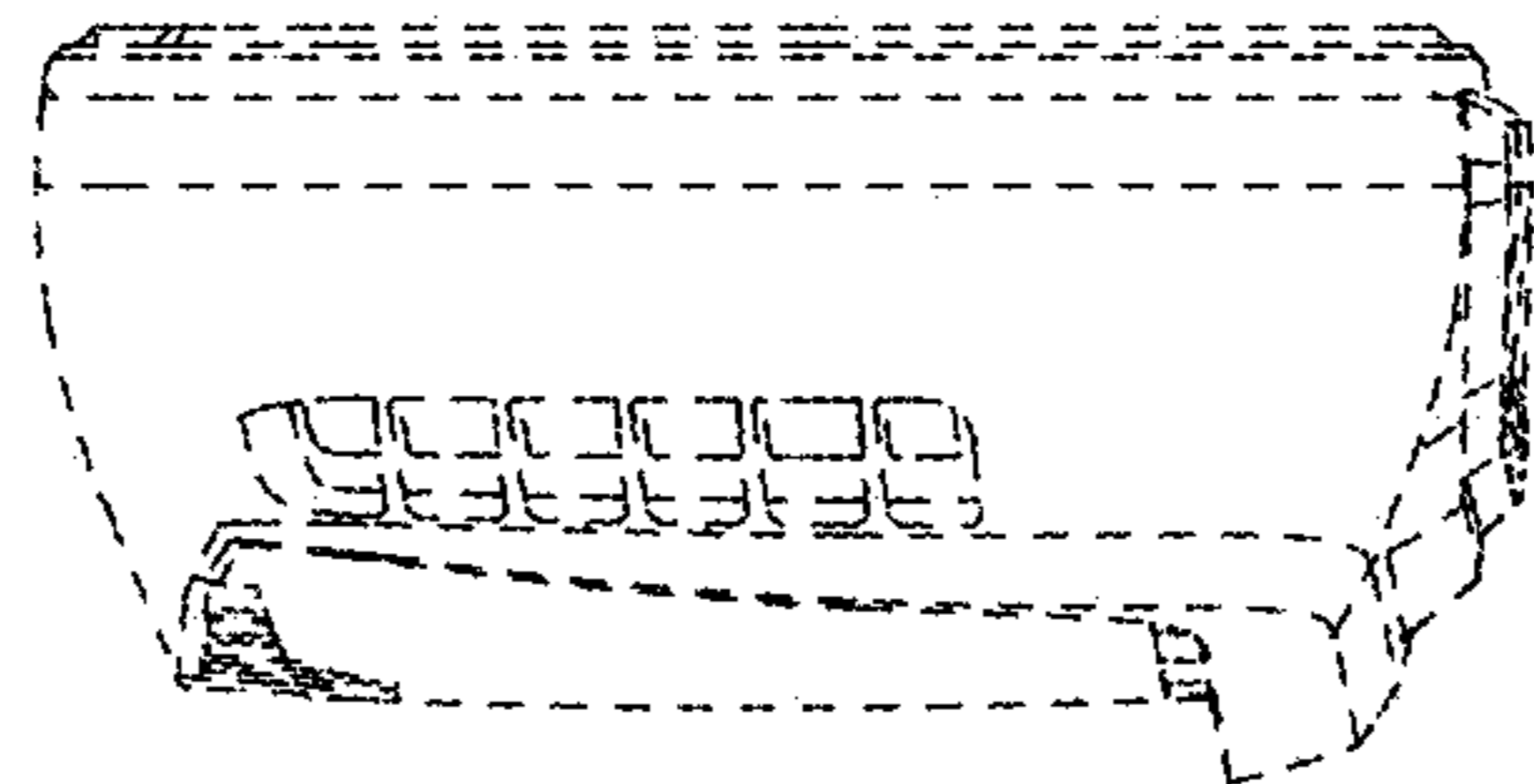


FIG. 5

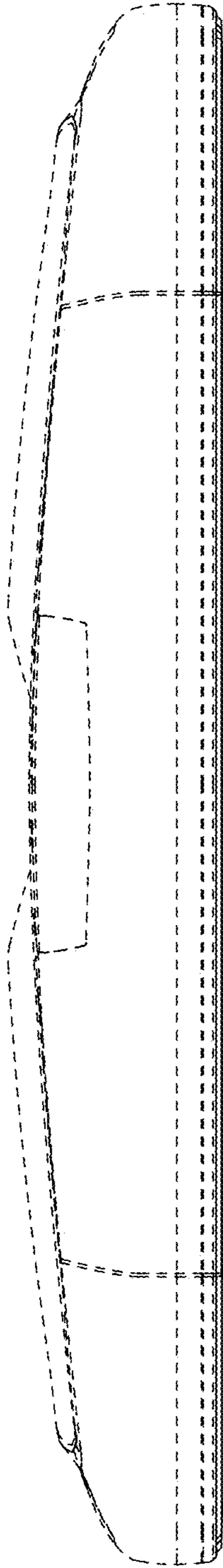


FIG. 7

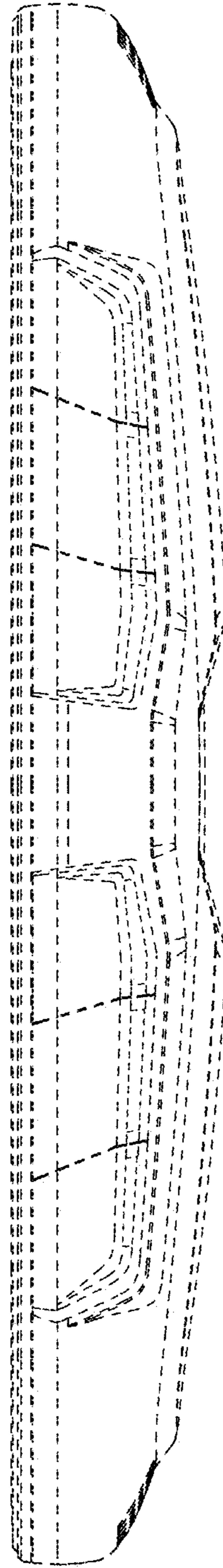


FIG. 8