



US00D883876S

(12) **United States Design Patent** (10) **Patent No.:** **US D883,876 S**
Beasley et al. (45) **Date of Patent:** **** May 12, 2020**

(54) **RADIATOR GUARD**
(71) Applicant: **CATERPILLAR INC.**, Deerfield, IL (US)
(72) Inventors: **Christopher Ryan Beasley**, Peoria, IL (US); **Kelly Ann Scholz**, Peoria, IL (US)

D615,007 S * 5/2010 Kasai D12/163
D619,511 S * 7/2010 Sullivan D12/166
D647,436 S * 10/2011 Sullivan D12/166
D686,543 S * 7/2013 Weil D12/163
D713,765 S * 9/2014 Peltola D12/163
D717,218 S * 11/2014 Tafe D12/166

(Continued)

FOREIGN PATENT DOCUMENTS

(73) Assignee: **Caterpillar Inc.**, Peoria, IL (US)
(**) Term: **15 Years**

JP 2004-17705 A 1/2004
KR 10-0656040 B1 12/2006

OTHER PUBLICATIONS

(21) Appl. No.: **29/665,546**
(22) Filed: **Oct. 4, 2018**
(51) **LOC (12) Cl.** **12-16**
(52) **U.S. Cl.**
USPC **D12/171**; D12/163
(58) **Field of Classification Search**
USPC D12/86, 90, 91, 92, 163, 169, 196, 171,
D12/216; D15/31
CPC . B60R 19/52; B60R 2019/525; B60K 11/085;
B62D 25/084; H01Q 1/32
See application file for complete search history.

U.S. Appl. No. 16/151,394; Radiator Guard and Method of Making; Christopher R. Beasley et al.; filed Oct. 4, 2018.

Primary Examiner — Darlington Ly
(74) *Attorney, Agent, or Firm* — Finnegan, Henderson, Farabow, Garrett & Dunner, LLP

(57) **CLAIM**

The ornamental design for a radiator guard, as shown and described.

DESCRIPTION

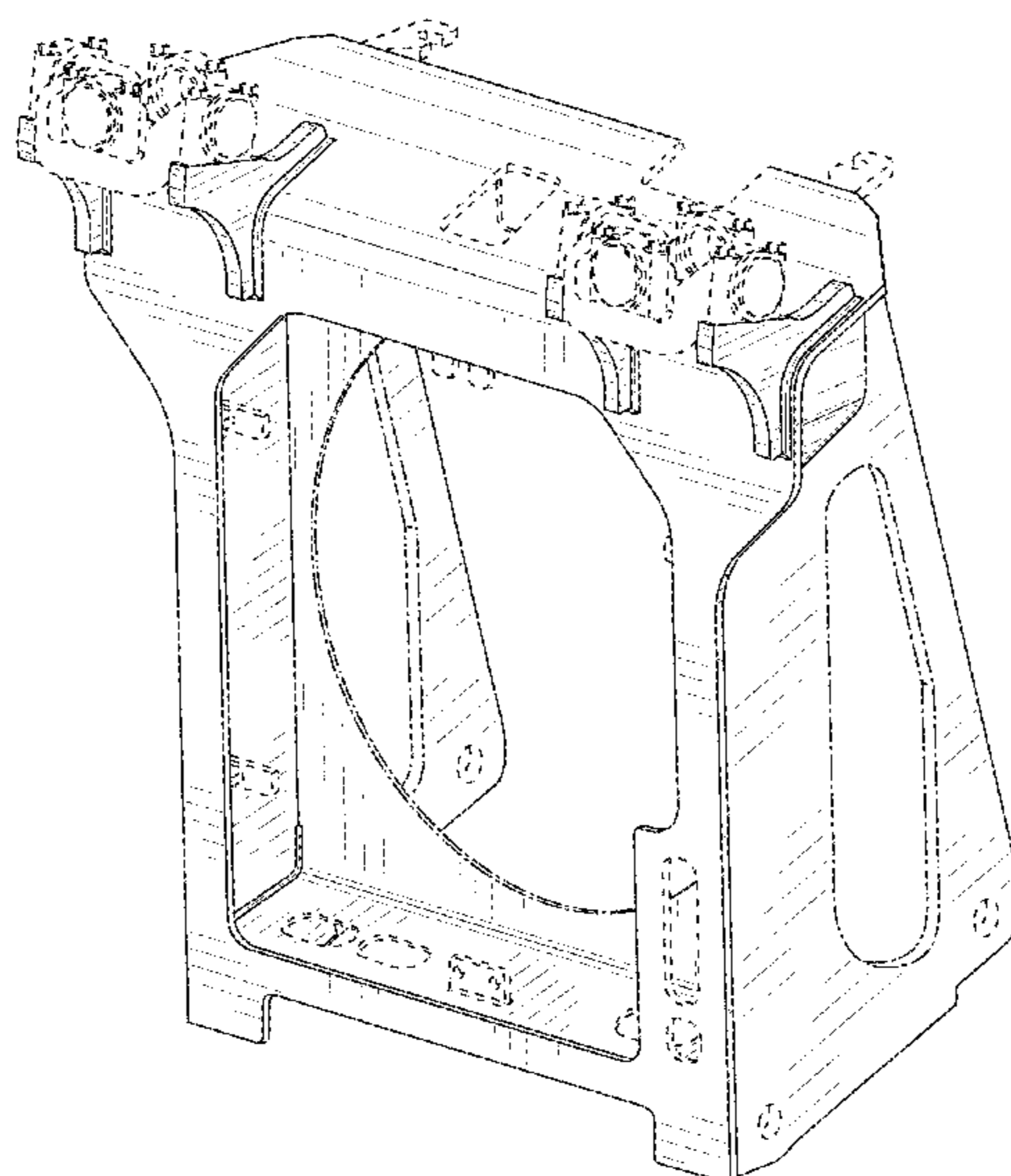
(56) **References Cited**

U.S. PATENT DOCUMENTS

2,921,392 A 1/1960 Bidwell
3,825,074 A 7/1974 Stedman et al.
4,023,625 A 5/1977 Krolak et al.
D259,873 S * 7/1981 Milner D12/171
D317,585 S * 6/1991 Uchida D12/163
D319,205 S * 8/1991 Heck D12/171
5,613,551 A * 3/1997 Rhodes F28F 9/001
165/149
D410,219 S * 5/1999 Bangle D12/163
D423,661 S * 4/2000 Pelonis D23/395
D429,195 S * 8/2000 Gabath D12/163
D506,167 S * 6/2005 Wu D12/163
D515,987 S * 2/2006 Yamamoto D12/163
D528,481 S * 9/2006 Taveras D12/171
D578,444 S * 10/2008 Kuo D12/163

FIG. 1 is a front, right, top perspective view of a radiator guard showing our new design;
FIG. 2 is a back, left, bottom perspective view thereof;
FIG. 3 is a front elevation view thereof;
FIG. 4 is a rear elevation view thereof;
FIG. 5 is a left side elevation view thereof;
FIG. 6 is a right side view thereof.
FIG. 7 is a top plan view thereof; and,
FIG. 8 is a bottom plan view thereof.
The broken lines of uneven length shown in the drawings form a boundary of the claimed design. The broken lines of even length shown in the drawings illustrate portions of the radiator guard which form no part of the claimed design.

1 Claim, 8 Drawing Sheets



(56)

References Cited

U.S. PATENT DOCUMENTS

D717,702 S	*	11/2014	McCardle	D12/166
D746,732 S	*	1/2016	Pruitt	D12/166
D751,472 S	*	3/2016	Pruitt	D12/166
D770,335 S	*	11/2016	Walterscheid	D12/163
2016/0356016 A1		12/2016	Hicke	

* cited by examiner

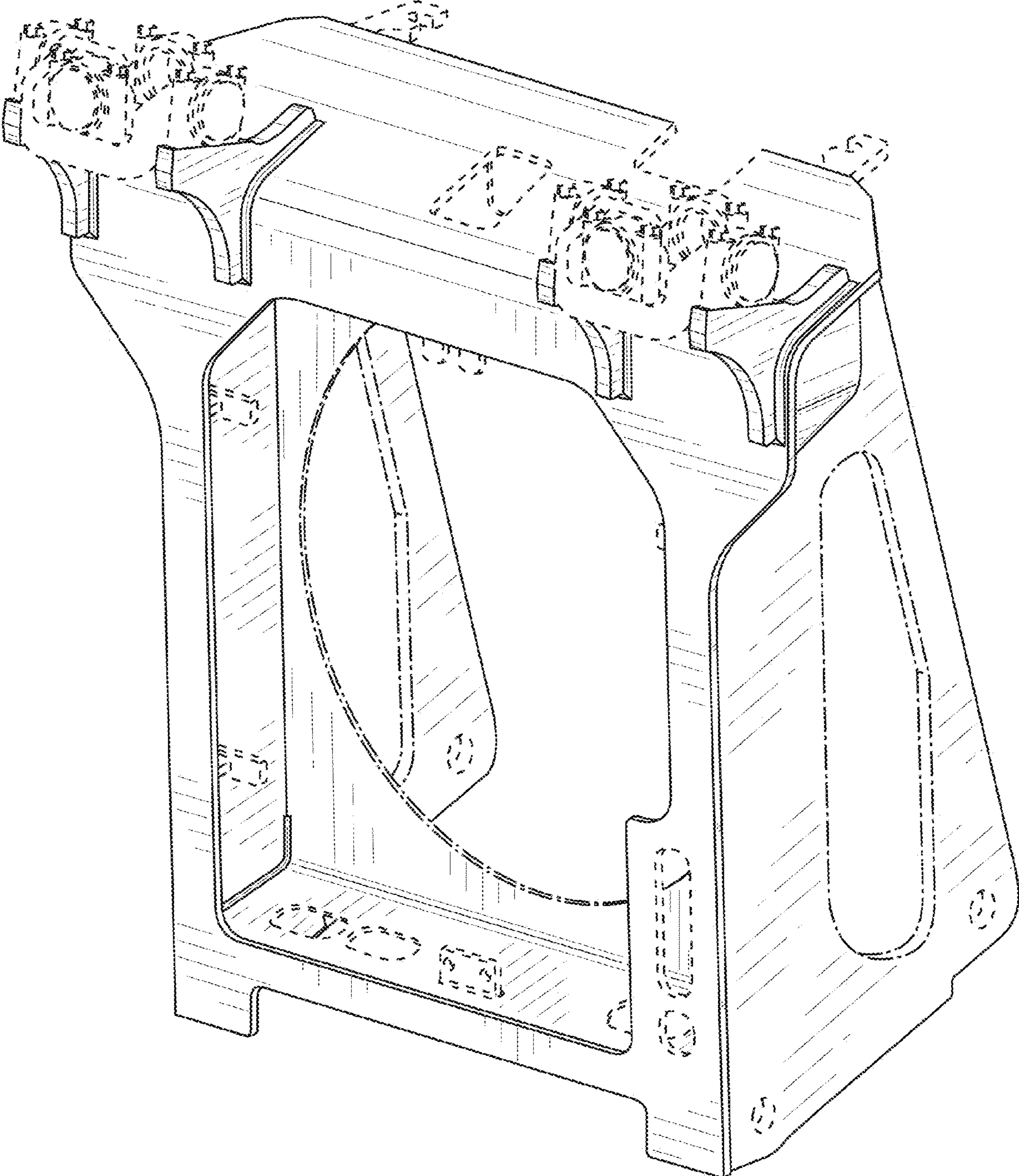


FIG. 1

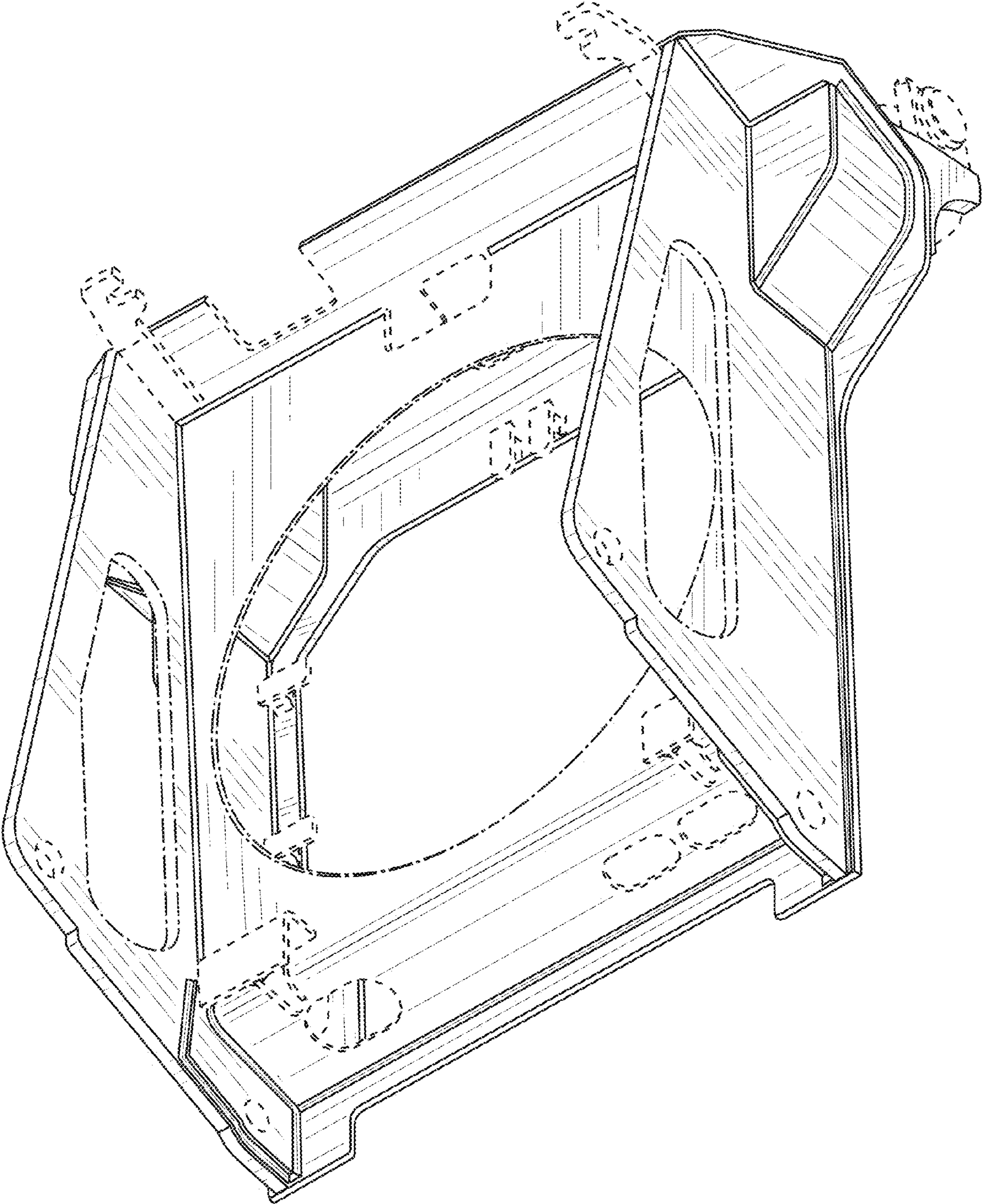


FIG. 2

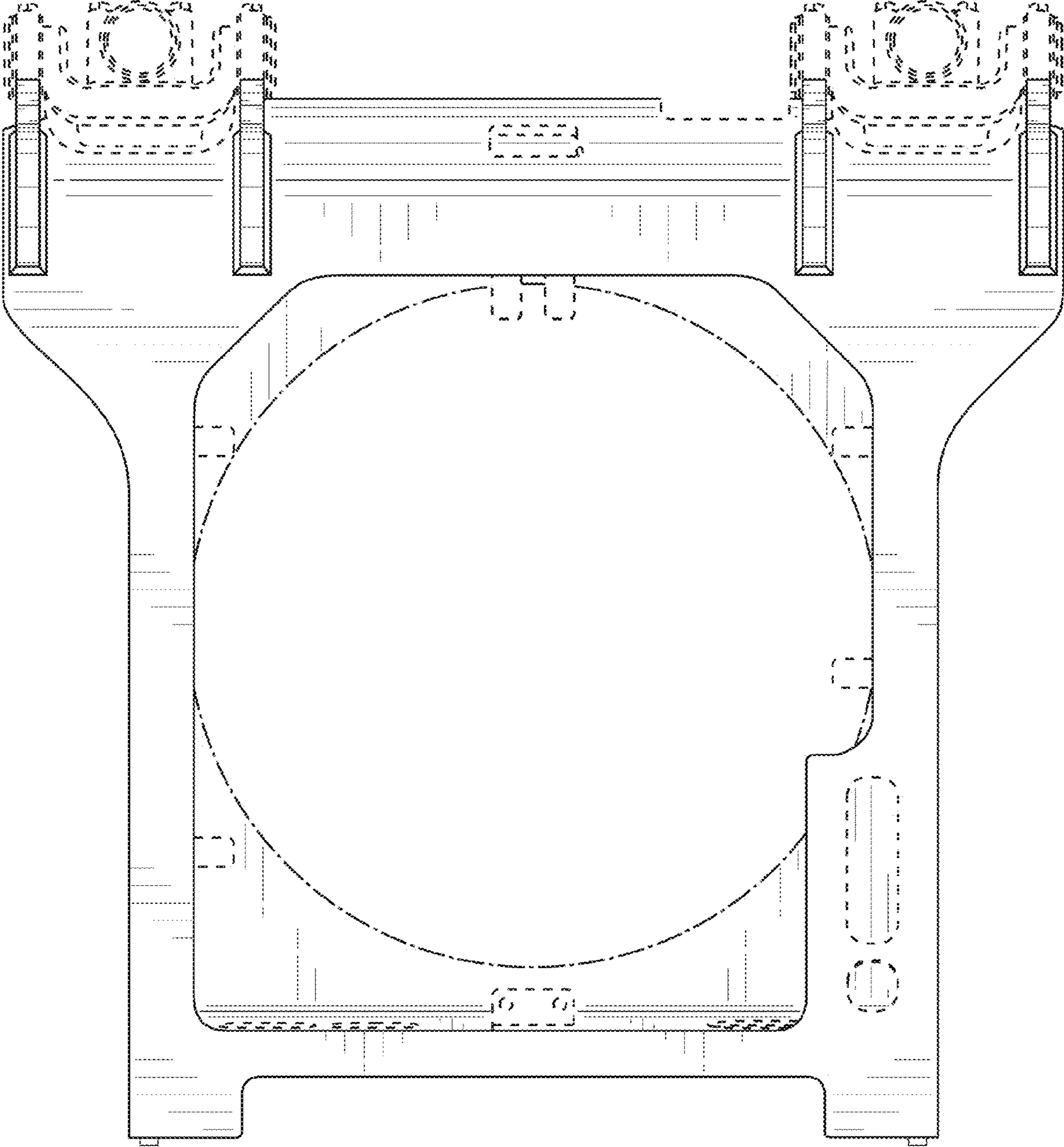


FIG. 3

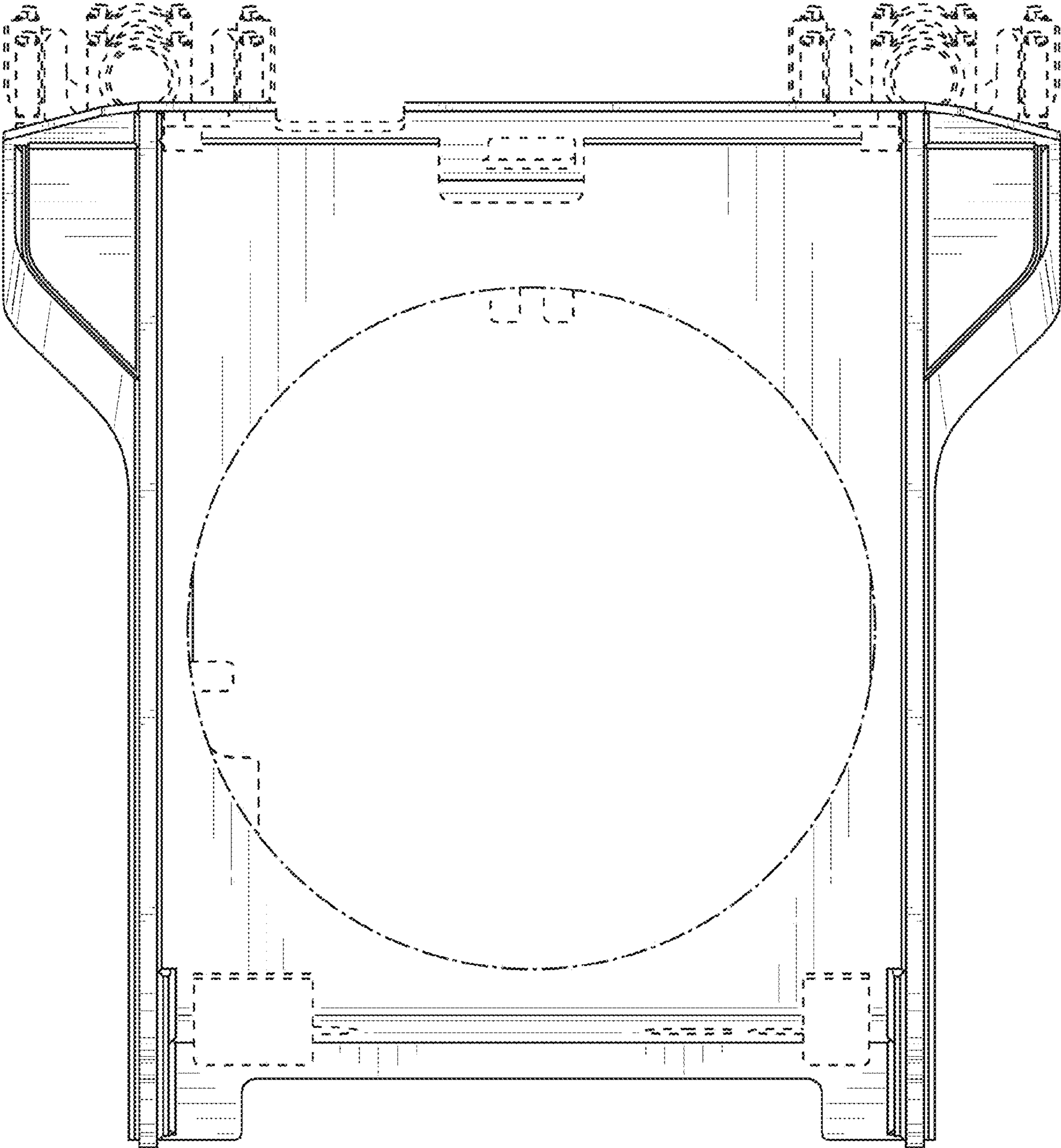


FIG. 4

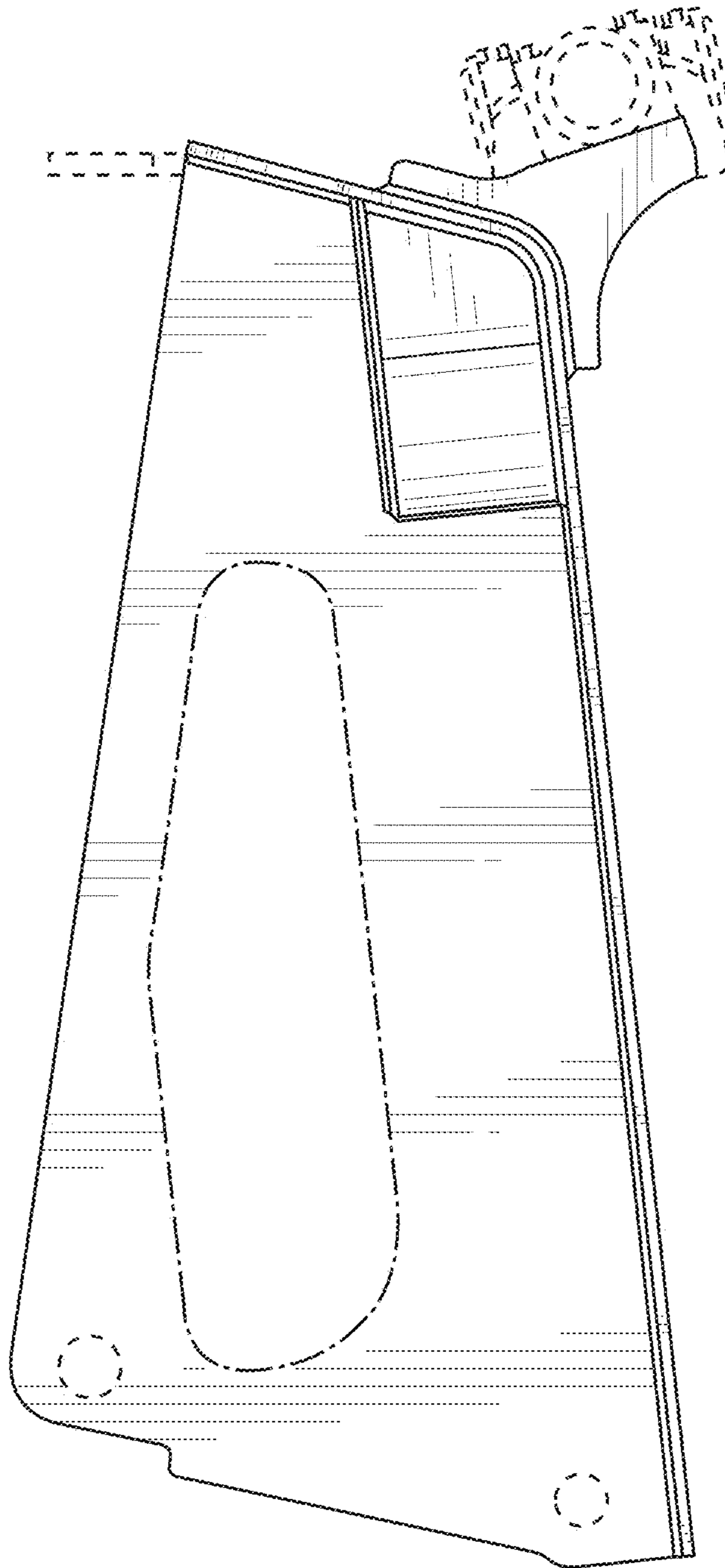


FIG. 5

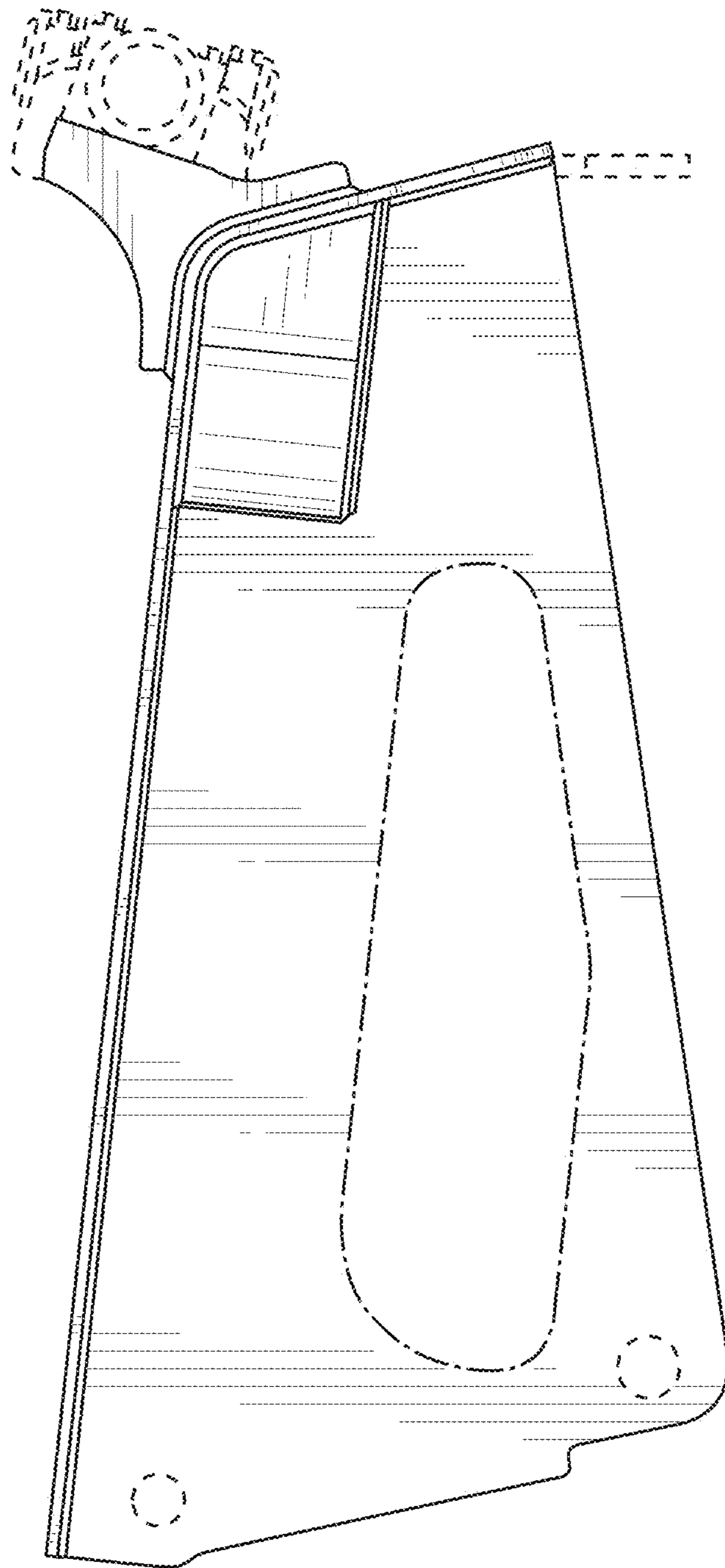


FIG. 6

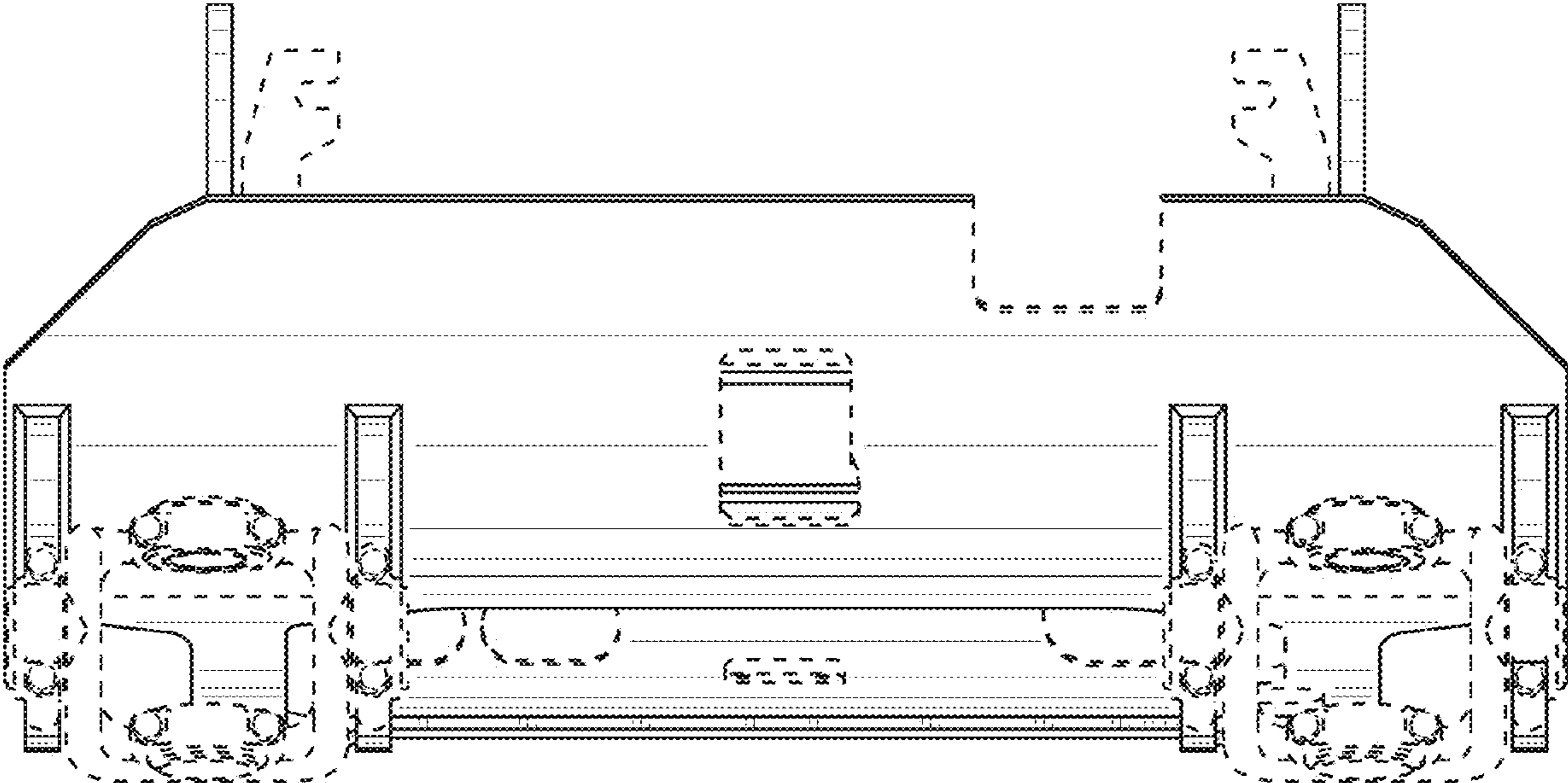


FIG. 7

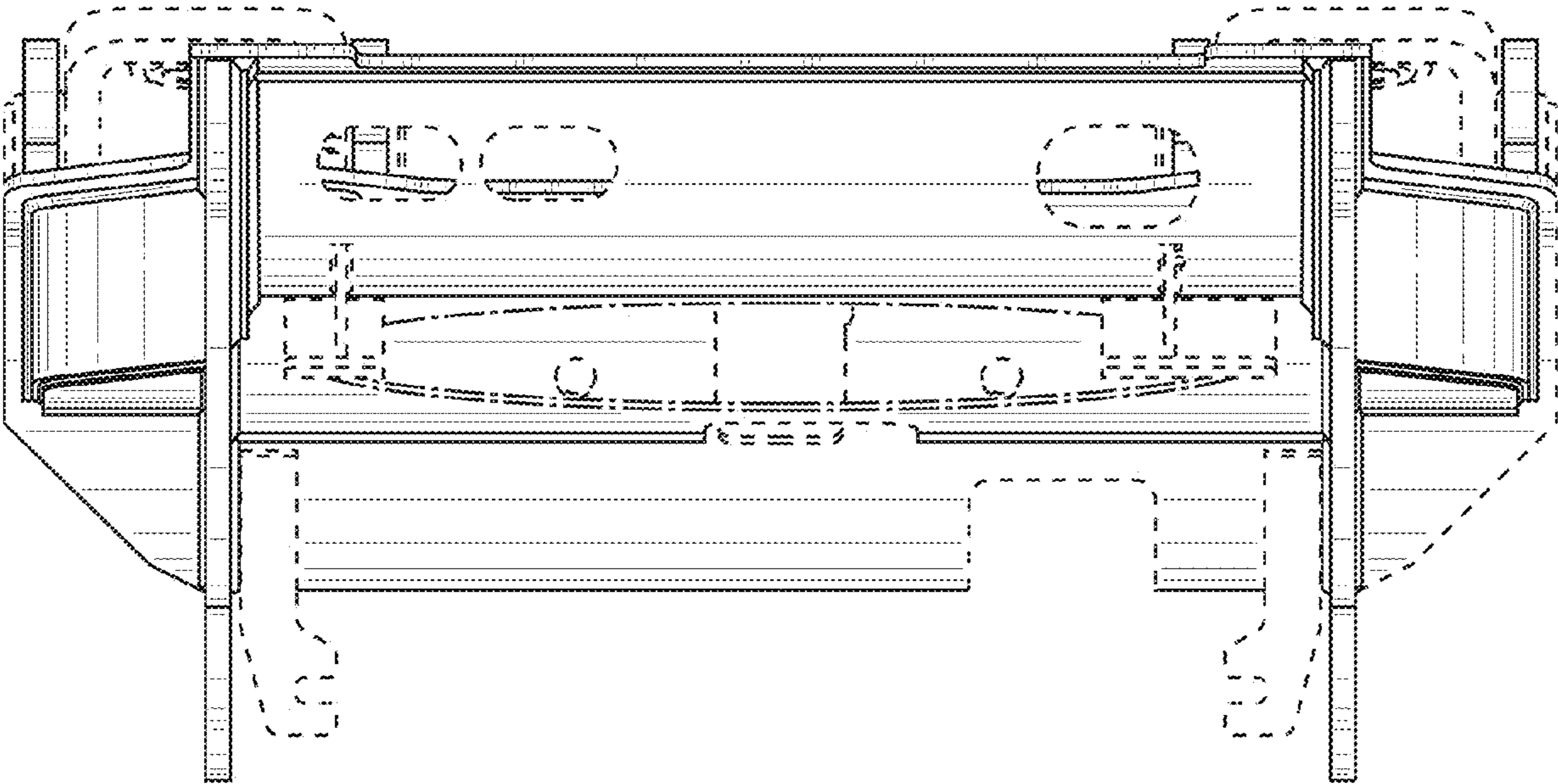


FIG. 8