



US00D883875S

(12) **United States Design Patent** (10) **Patent No.:** **US D883,875 S**
Woodhouse et al. (45) **Date of Patent:** **** May 12, 2020**

(54) **VEHICLE REAR UPPER BUMPER COVER**

D818,402 S * 5/2018 Kawakami D12/169
D842,774 S * 3/2019 Munakata D12/169
D858,376 S * 9/2019 Scheinhutte D12/169
D867,940 S * 11/2019 Li D12/169

(71) Applicant: **Ford Global Technologies, LLC**,
Dearborn, MI (US)

* cited by examiner

(72) Inventors: **David Woodhouse**, Troy, MI (US);
Kemal Curic, Irvine, CA (US); **Shawn Wehrly**, Northville, MI (US); **Michal Illukiewicz**, Bloomfield Hills, MI (US)

Primary Examiner — Melody N Brown

(74) *Attorney, Agent, or Firm* — Vichit Chea

(73) Assignee: **Ford Global Technologies, LLC**,
Dearborn, MI (US)

(**) Term: **15 Years**

(21) Appl. No.: **29/685,620**

(22) Filed: **Mar. 29, 2019**

(51) **LOC (12) Cl.** **12-16**

(52) **U.S. Cl.**

USPC **D12/169**

(58) **Field of Classification Search**

USPC D12/169, 164, 196, 171, 163, 86, 90–92;
293/102, 113, 115, 117, 120; 296/180.1,
296/180.2

CPC B60R 19/02; B60R 19/04; B62D 25/08
See application file for complete search history.

(56) **References Cited**

U.S. PATENT DOCUMENTS

D738,270 S 9/2015 Blanski et al.
D754,576 S * 4/2016 Nissl D12/169

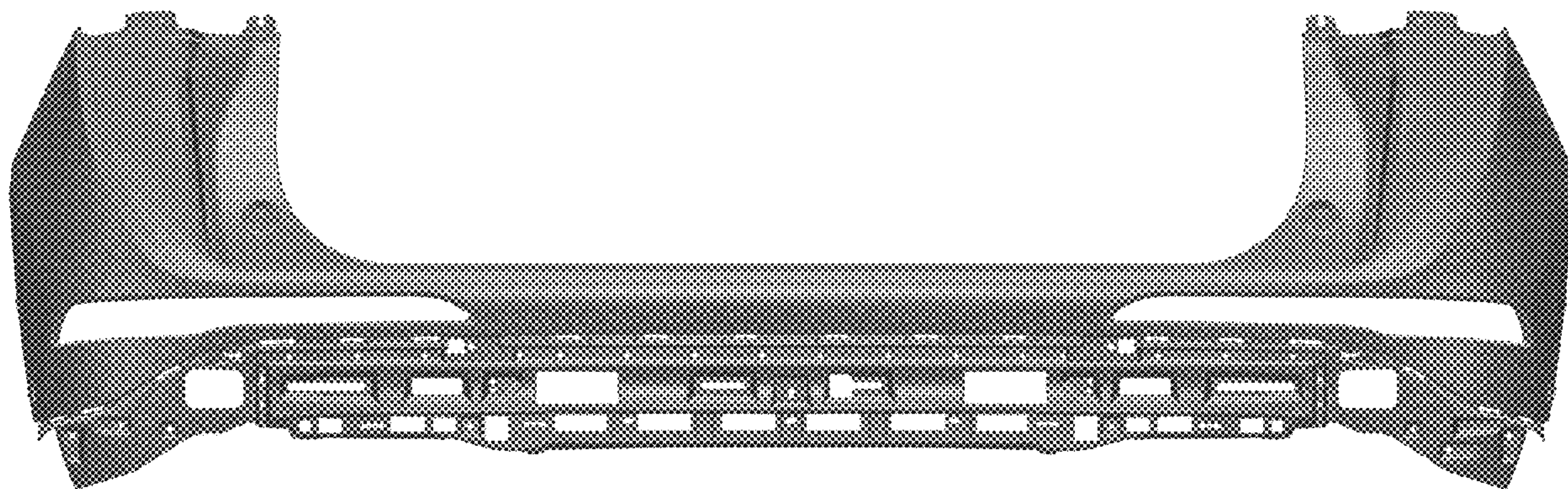
(57) **CLAIM**

The ornamental design for a vehicle rear upper bumper cover, as shown and described.

DESCRIPTION

FIG. 1 is a front elevational view of a vehicle rear upper bumper cover, showing our new design;
FIG. 2 is a left side elevational view thereof;
FIG. 3 is a right side elevational view thereof;
FIG. 4 is a top plan view thereof;
FIG. 5 is a bottom plan view thereof;
FIG. 6 is a top, front, and left side perspective view thereof;
and,
FIG. 7 is a bottom, front, and left side perspective view thereof.

1 Claim, 7 Drawing Sheets



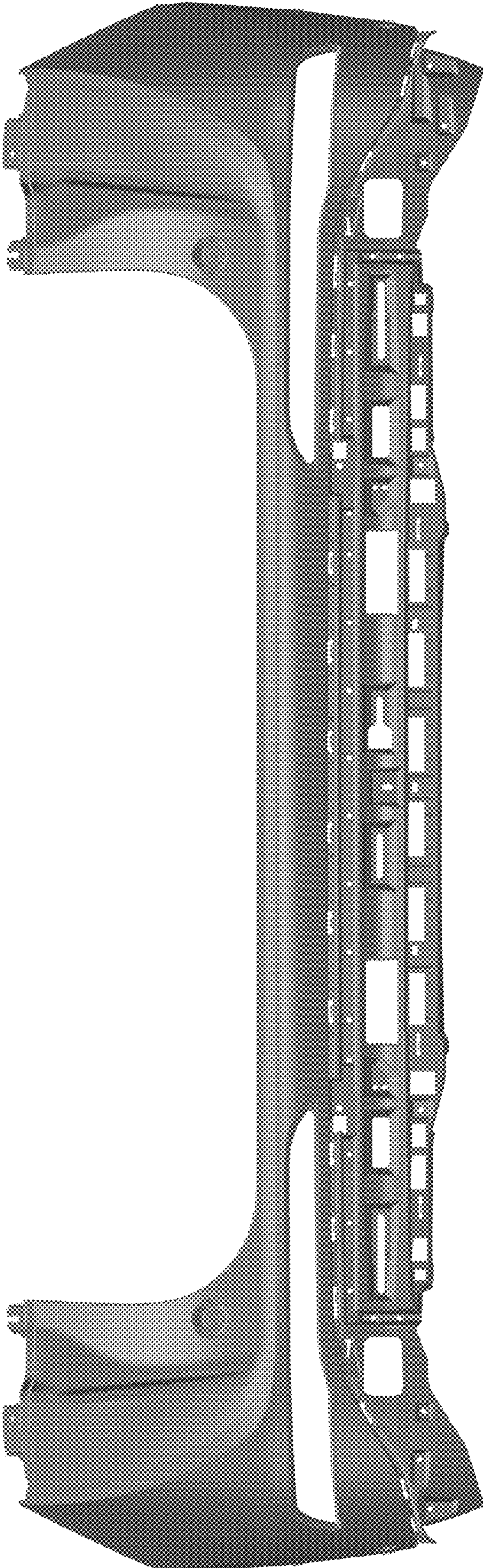


Fig. 1

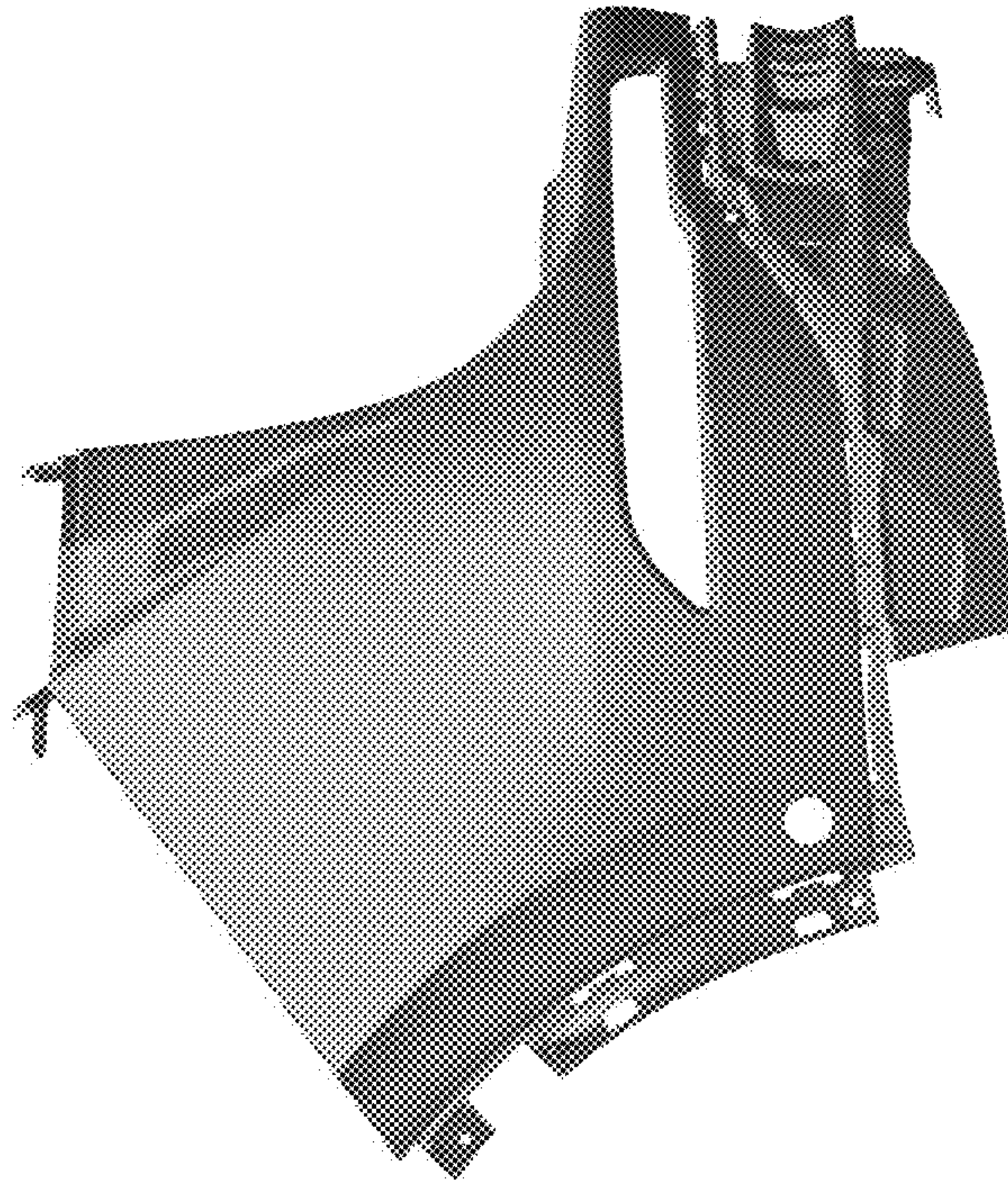


Fig.2

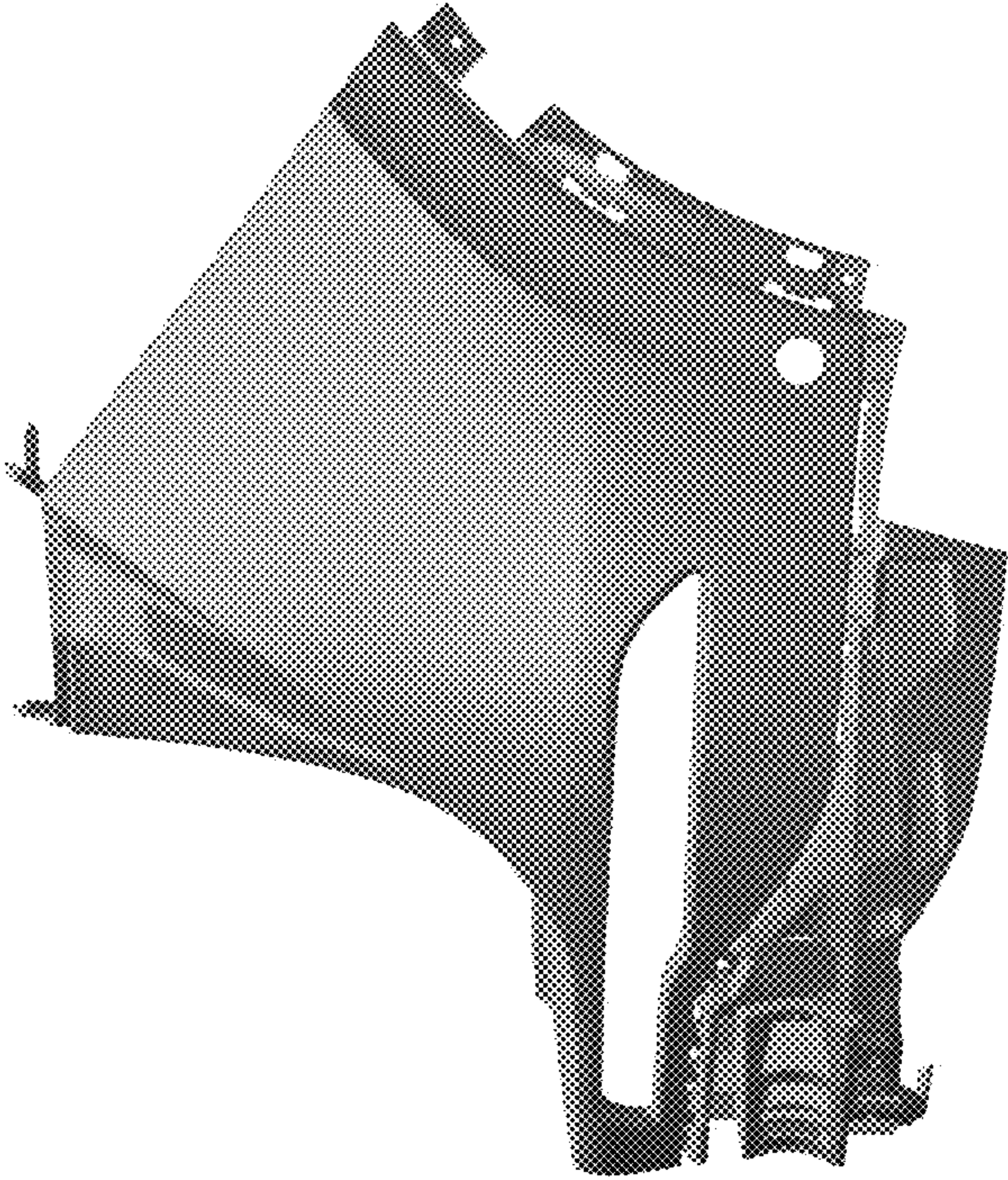


Fig. 3

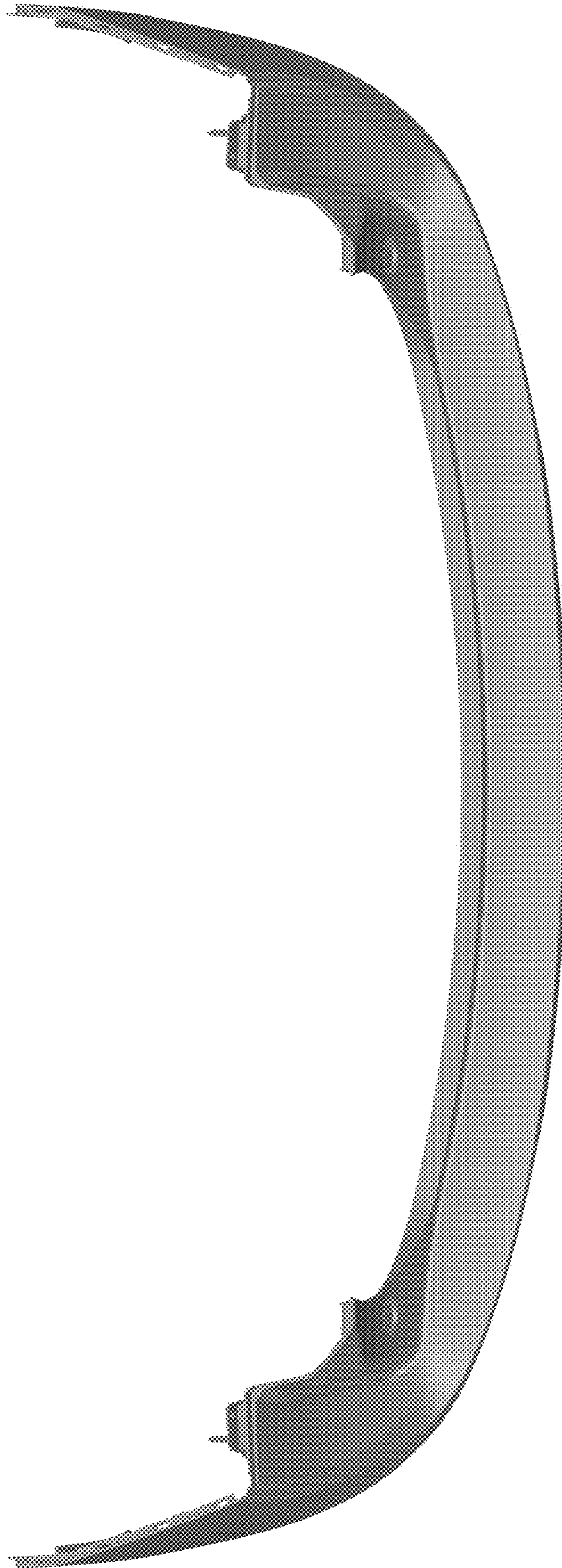
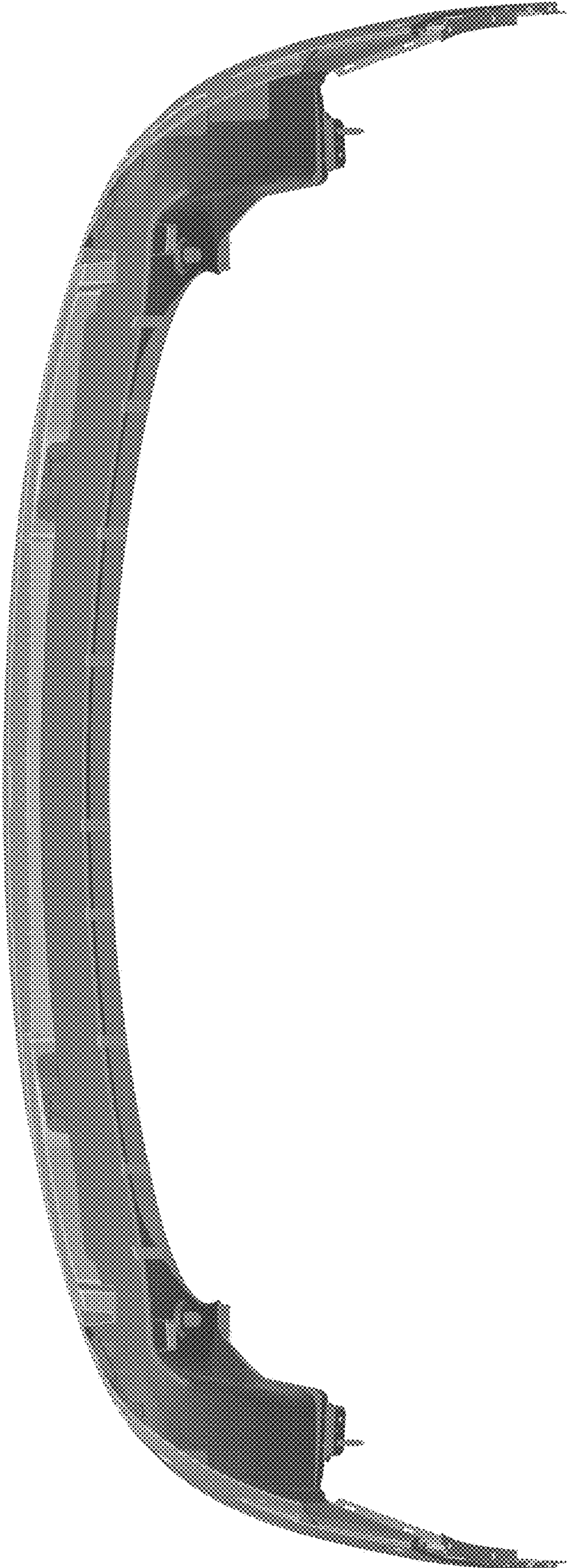


Fig. 4

Fig. 5



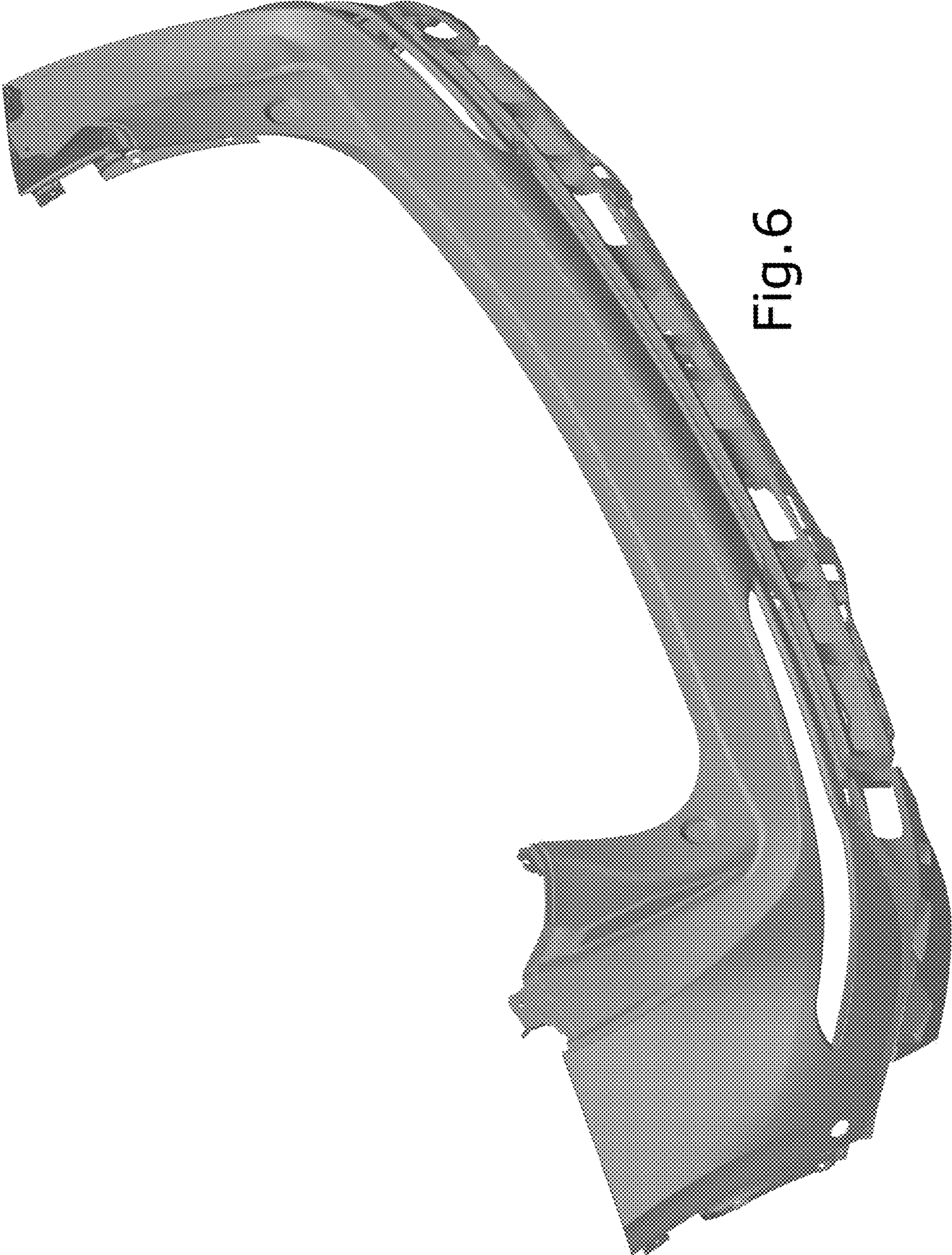


Fig. 6

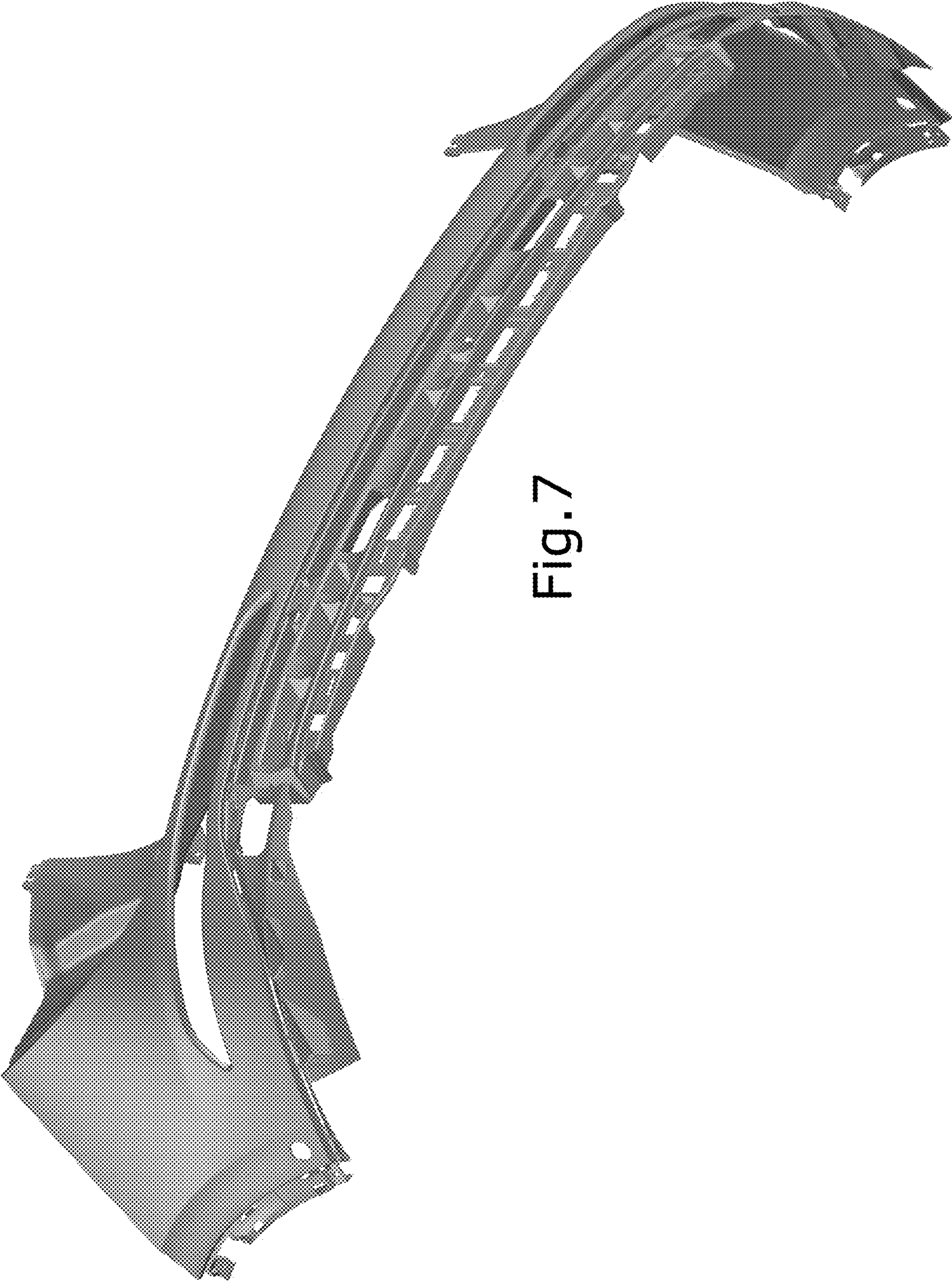


Fig. 7