



US00D883874S

(12) **United States Design Patent** (10) **Patent No.:** **US D883,874 S**  
**Woodhouse et al.** (45) **Date of Patent:** **\*\* May 12, 2020**

(54) **VEHICLE REAR LOWER BUMPER COVER INSERT**

(71) Applicant: **Ford Global Technologies, LLC**,  
Dearborn, MI (US)  
(72) Inventors: **David Woodhouse**, Troy, MI (US);  
**Kemal Curic**, Irvine, CA (US); **Shawn Wehrly**, Northville, MI (US); **Michal Illukiewicz**, Bloomfield Hills, MI (US)

(73) Assignee: **Ford Global Technologies, LLC**,  
Dearborn, MI (US)

(\*\*) Term: **15 Years**

(21) Appl. No.: **29/685,616**

(22) Filed: **Mar. 29, 2019**

(51) **LOC (12) Cl.** ..... **12-16**

(52) **U.S. Cl.**  
USPC ..... **D12/169**

(58) **Field of Classification Search**  
USPC .... D12/169, 164, 196, 171, 163, 86, 90-92;  
293/102, 113, 115, 117, 120; 296/180.1,  
296/180.2  
CPC ..... B60R 19/02; B60R 19/04; B62D 25/08  
See application file for complete search history.

(56) **References Cited**

U.S. PATENT DOCUMENTS

D639,215 S \* 6/2011 Faghihzadeh ..... D12/169  
D640,613 S \* 6/2011 Bauer ..... D12/169  
D663,660 S \* 7/2012 Platto ..... D12/169  
D675,136 S \* 1/2013 Hamilton ..... D12/169  
D678,146 S \* 3/2013 Behmer ..... D12/169  
D683,671 S \* 6/2013 Platto ..... D12/169

D692,808 S \* 11/2013 Morioka ..... D12/169  
D696,168 S \* 12/2013 Ito ..... D12/169  
D712,805 S \* 9/2014 Murkett ..... D12/169  
D738,269 S \* 9/2015 Blanski ..... D12/169  
D751,003 S \* 3/2016 Rugar ..... D12/163  
D751,004 S \* 3/2016 Rugar ..... D12/163  
D803,738 S \* 11/2017 Granlund ..... D12/169  
D807,253 S \* 1/2018 Piscitelli ..... D12/169  
D811,963 S \* 3/2018 Sullivan ..... D12/169  
D813,741 S \* 3/2018 Perkins ..... D12/169  
D816,563 S \* 5/2018 McMahan ..... D12/169  
D827,517 S \* 9/2018 Whang ..... D12/169  
D832,157 S \* 10/2018 Svensson ..... D12/169  
D853,906 S \* 7/2019 Betancourt ..... D12/169  
D855,507 S \* 8/2019 Blanski ..... D12/169  
D859,237 S \* 9/2019 Koo ..... D12/169  
D868,649 S \* 12/2019 Woodhouse ..... D12/169  
D870,003 S \* 12/2019 Bucher ..... D12/169

\* cited by examiner

*Primary Examiner* — Melody N Brown

(74) *Attorney, Agent, or Firm* — Vichit Chea

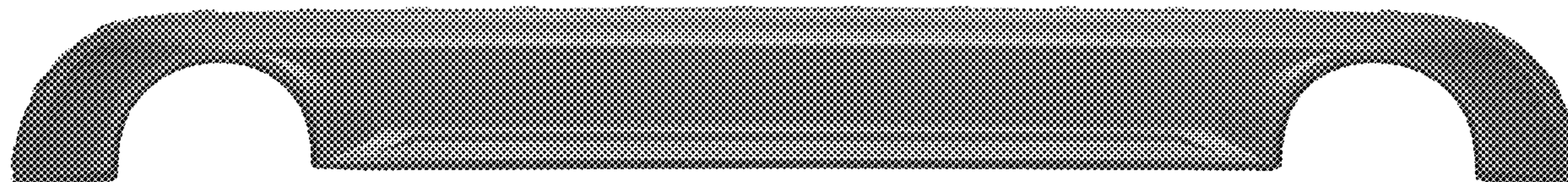
(57) **CLAIM**

The ornamental design for a vehicle rear lower bumper cover insert, as shown and described.

**DESCRIPTION**

FIG. 1 is a front elevational view of a vehicle rear lower bumper cover insert, showing our new design;  
FIG. 2 is a left side elevational view thereof;  
FIG. 3 is a right side elevational view thereof;  
FIG. 4 is a top plan view thereof;  
FIG. 5 is a bottom plan view thereof;  
FIG. 6 is a bottom, front and left side perspective view thereof; and,  
FIG. 7 is a top, front and left side perspective view thereof.

**1 Claim, 7 Drawing Sheets**



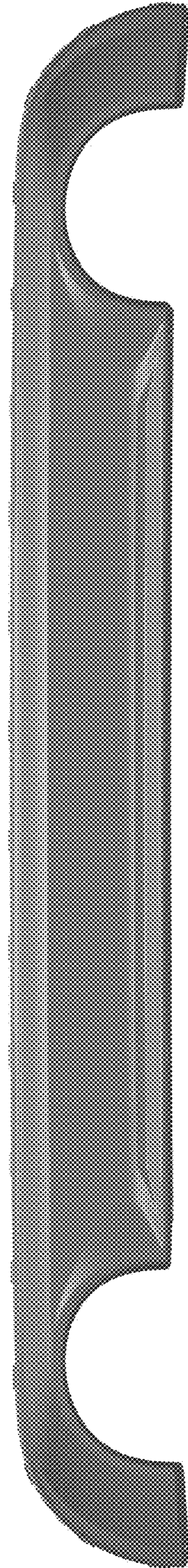


Fig. 1

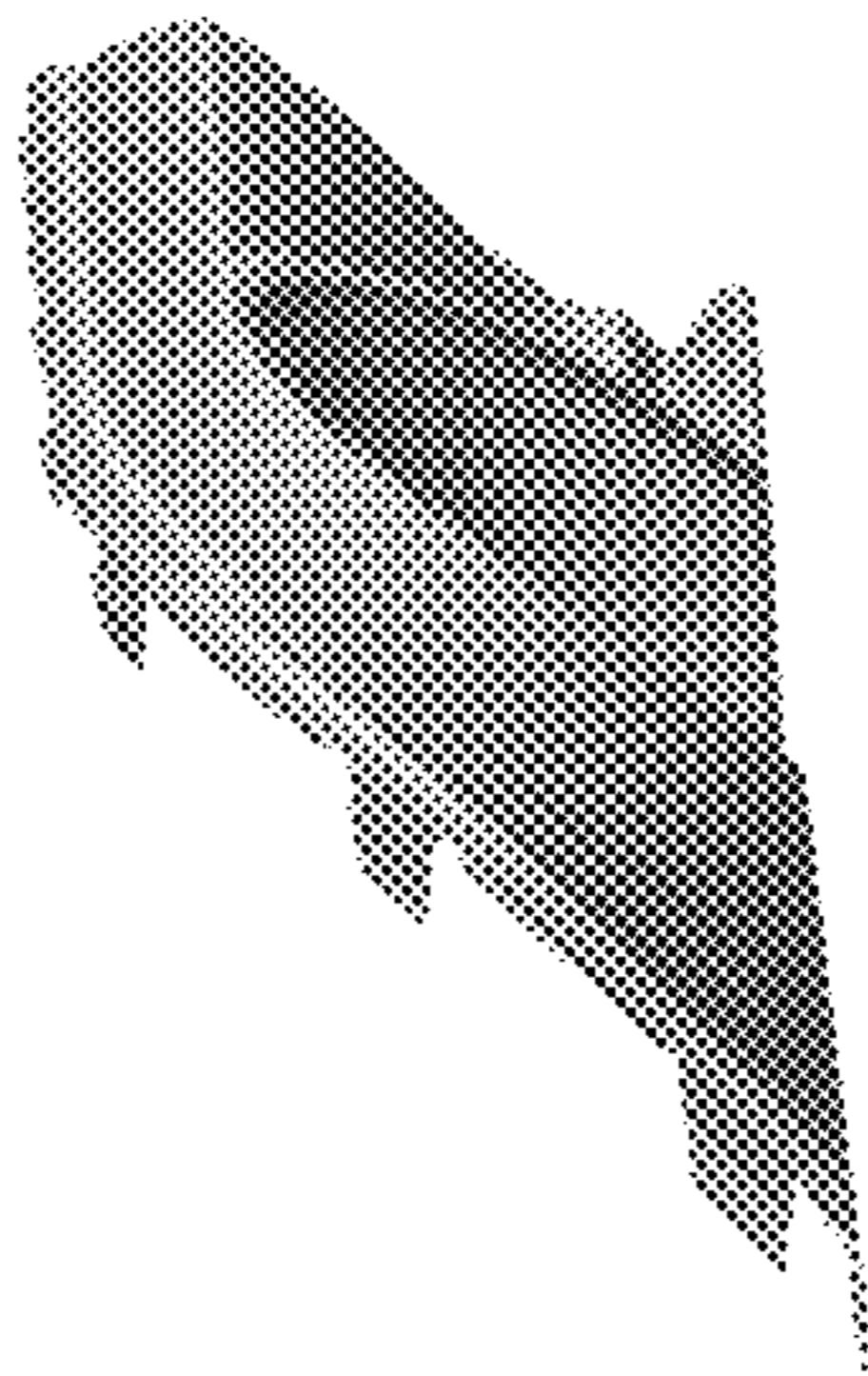


Fig. 2

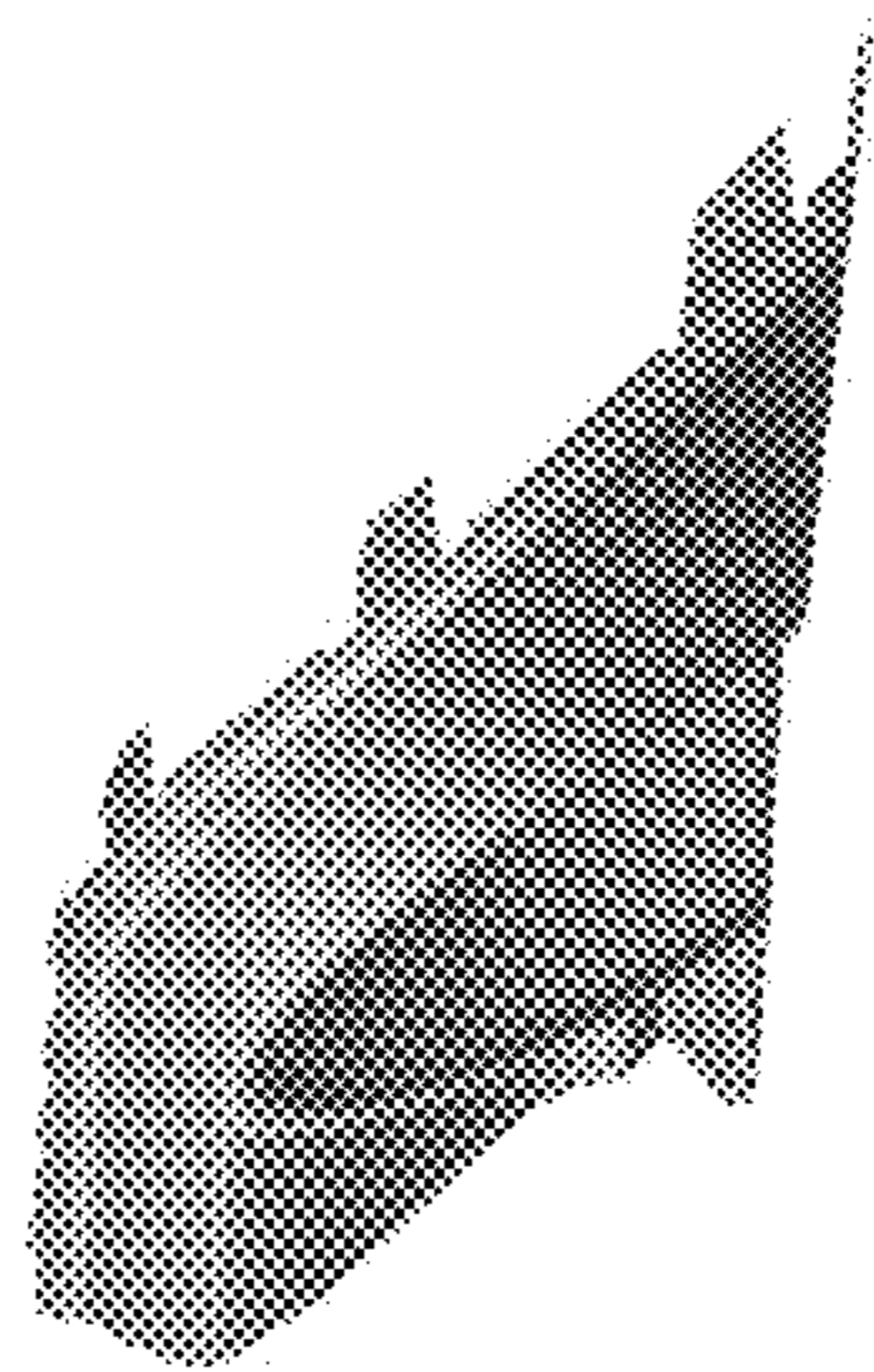


Fig. 3

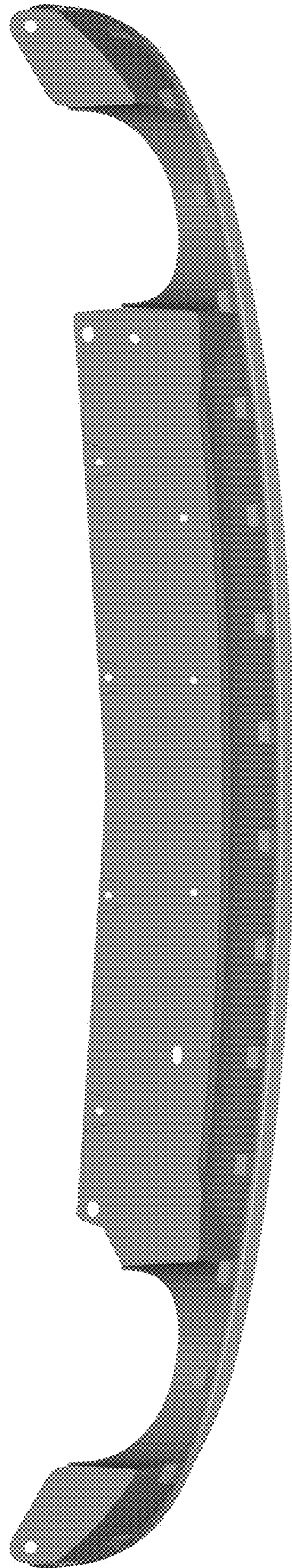
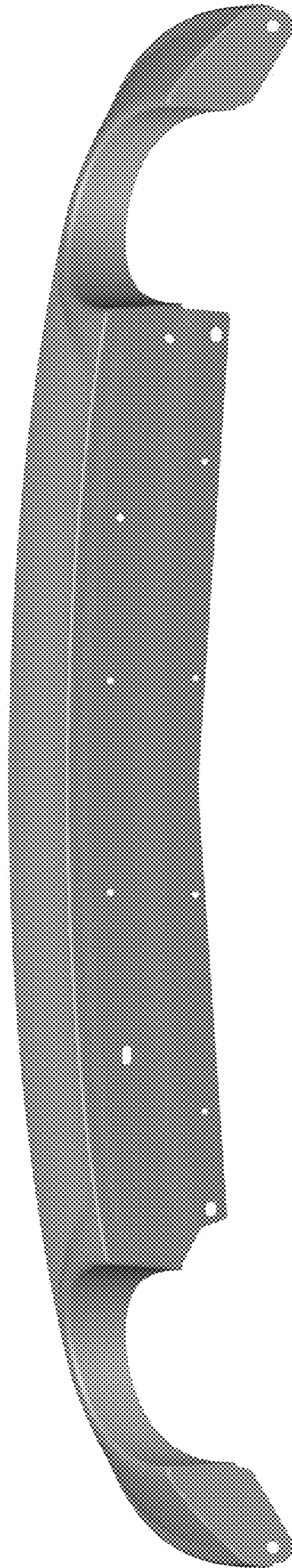


Fig.4

Fig. 5



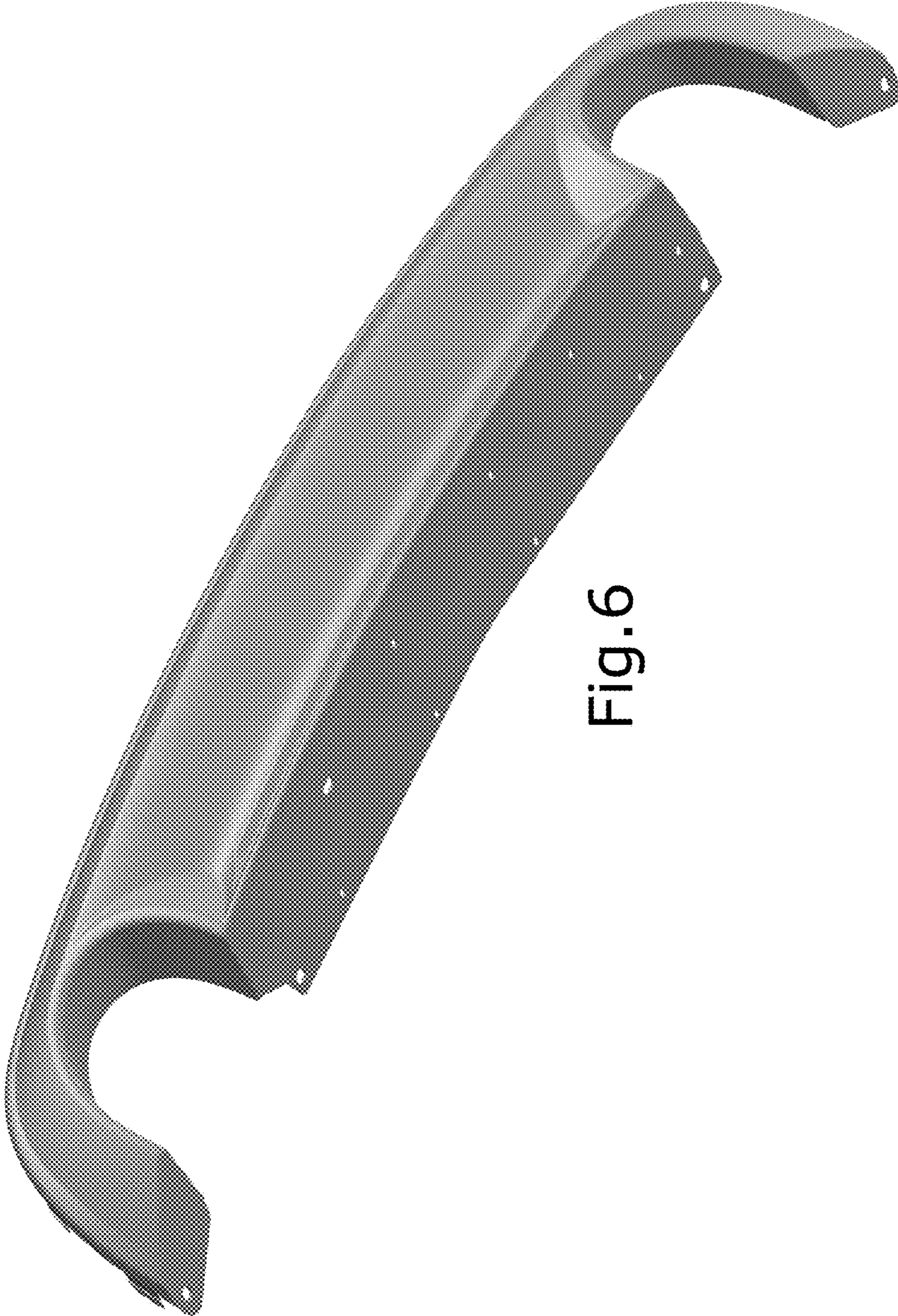


Fig. 6

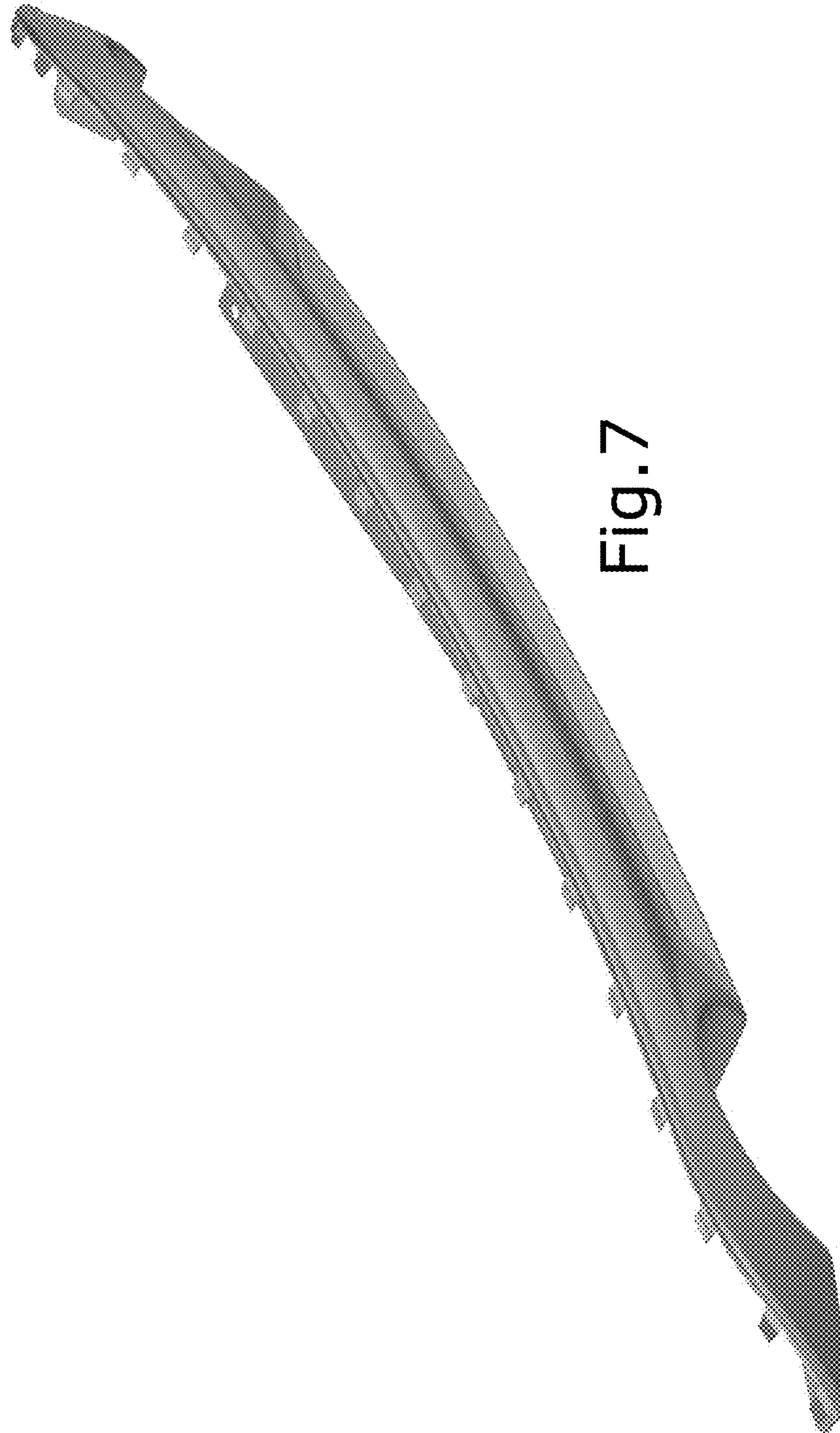


Fig. 7