



US00D883869S

(12) **United States Design Patent**
Heinemann

(10) **Patent No.:** **US D883,869 S**

(45) **Date of Patent:** **** May 12, 2020**

(54) **FRONT AUTOMOBILE BUMPER**
(71) Applicant: **BRABUS GmbH**, Bottrop (DE)
(72) Inventor: **Andreas Heinemann**, Burg (DE)
(73) Assignee: **BRABUS GmbH** (DE)

(**) Term: **15 Years**

(21) Appl. No.: **29/677,295**

(22) Filed: **Jan. 18, 2019**

(30) **Foreign Application Priority Data**

Jul. 20, 2018 (EM) 005509569

(51) **LOC (12) Cl.** **12-16**

(52) **U.S. Cl.**
USPC **D12/169**

(58) **Field of Classification Search**
USPC D12/169, 164, 196, 171, 163, 86, 90-92;
293/102, 113, 115, 117, 120; 296/180.1,
296/180.2
CPC B60R 19/02; B60R 19/04; B62D 25/08
See application file for complete search history.

(56) **References Cited**

U.S. PATENT DOCUMENTS

D713,305 S * 9/2014 Sperling D12/169
D721,621 S * 1/2015 Platto D12/169

D754,575 S * 4/2016 Varga D12/169
D801,891 S * 11/2017 Scheinhutte D12/169
D805,444 S * 12/2017 Villamizar D12/169
D817,822 S * 5/2018 Platto D12/169
D873,732 S * 1/2020 Gillam D12/169

* cited by examiner

Primary Examiner — Melody N Brown

(74) *Attorney, Agent, or Firm* — McCarter & English,
LLP

(57) **CLAIM**

The ornamental design for a front automobile bumper, as shown and described.

DESCRIPTION

FIG. 1 is a perspective view of a front automobile bumper showing my new design;
FIG. 2 is a right side view thereof;
FIG. 3 is a left side view thereof;
FIG. 4 is a front view thereof;
FIG. 5 is a rear view thereof;
FIG. 6 is a top view thereof; and,
FIG. 7 is a bottom view thereof.

1 Claim, 7 Drawing Sheets

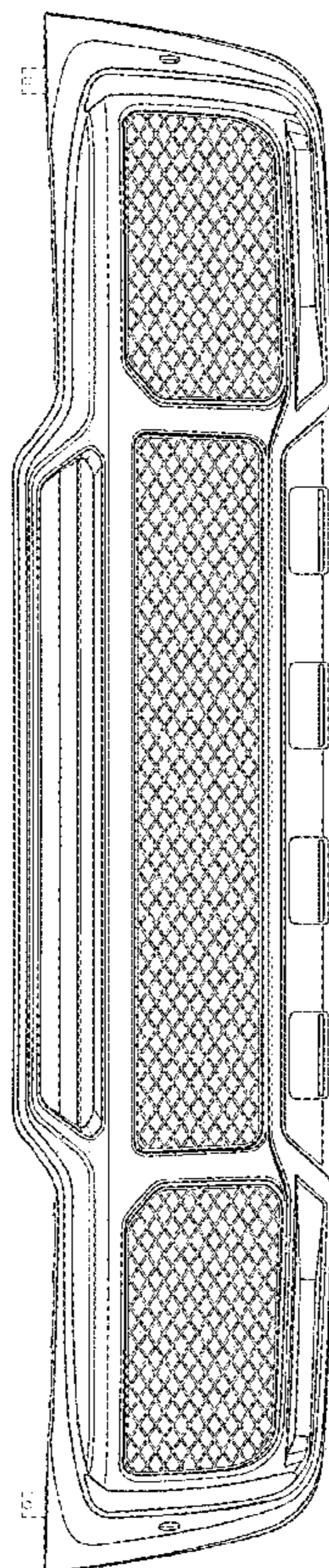


FIG. 1

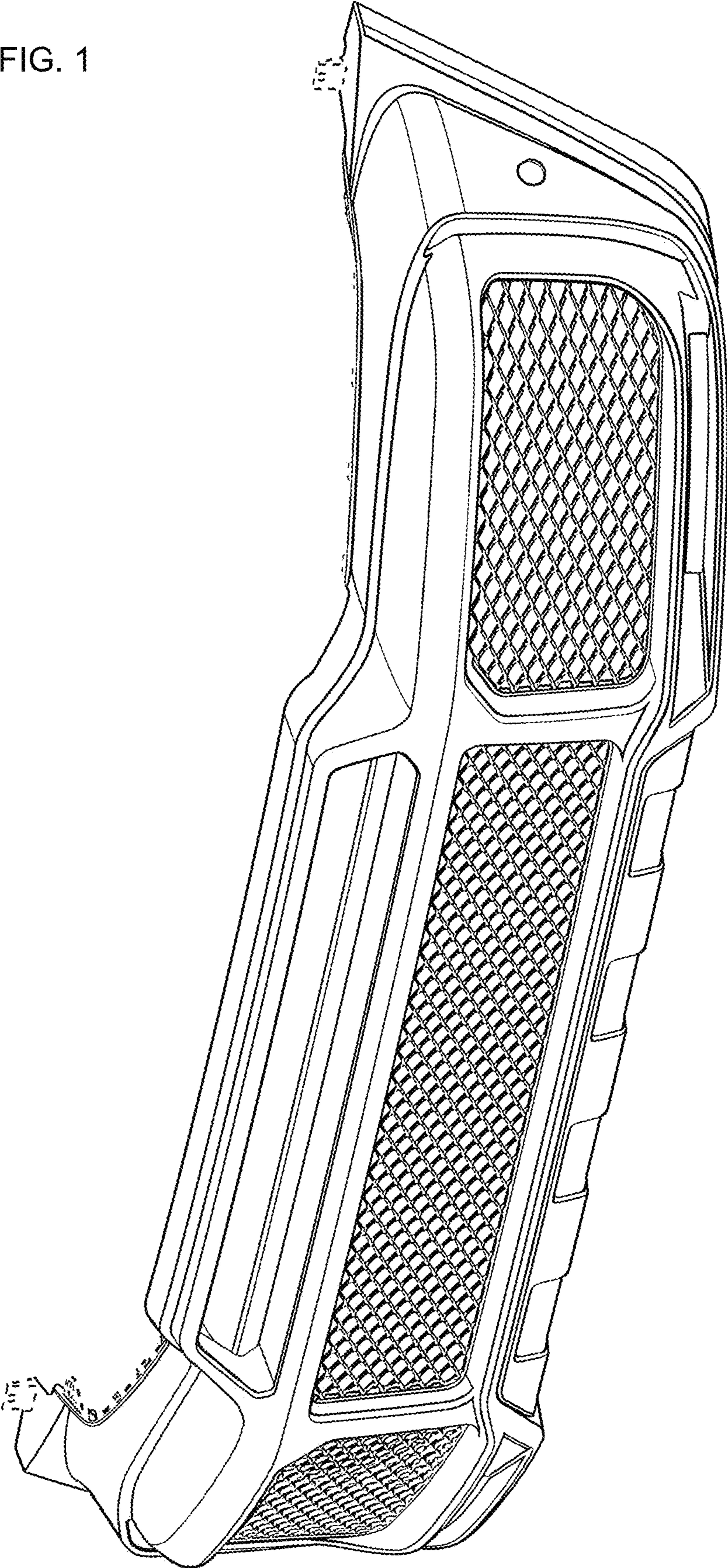


FIG. 2

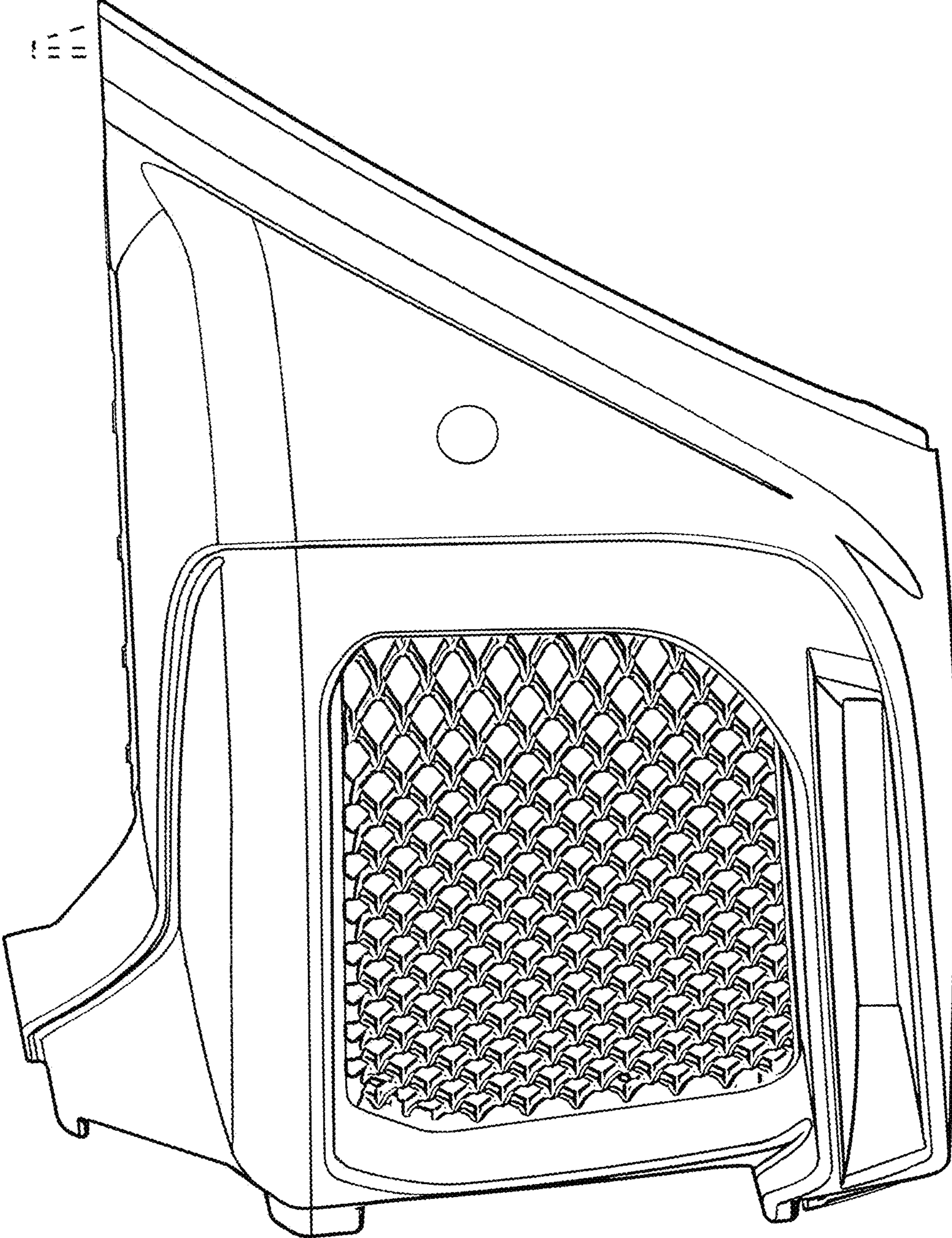


FIG. 3

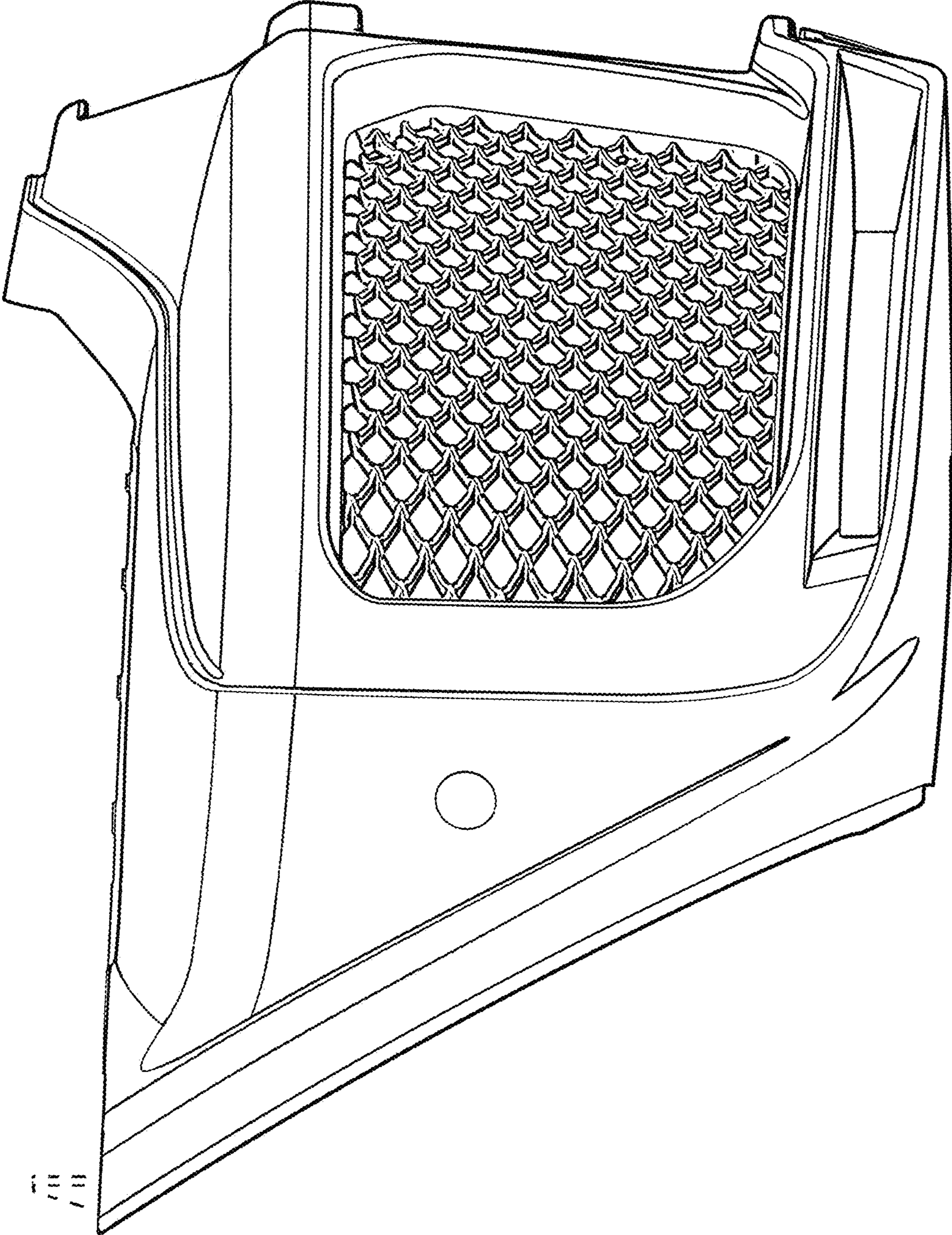


FIG. 4

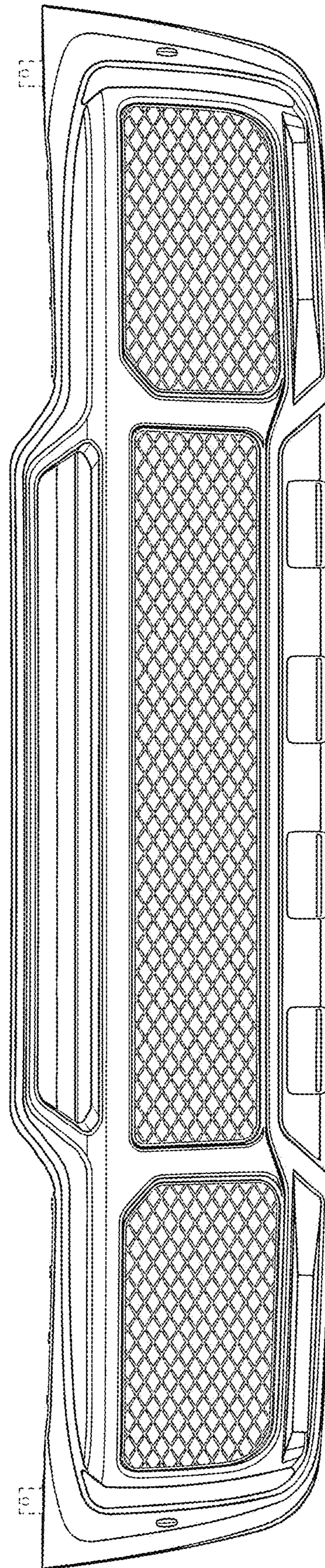


FIG. 5

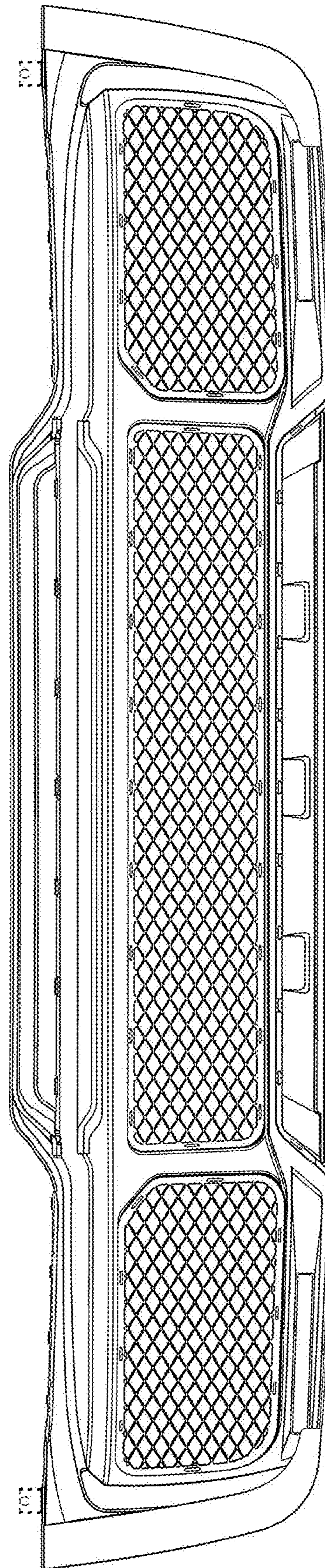


FIG. 6

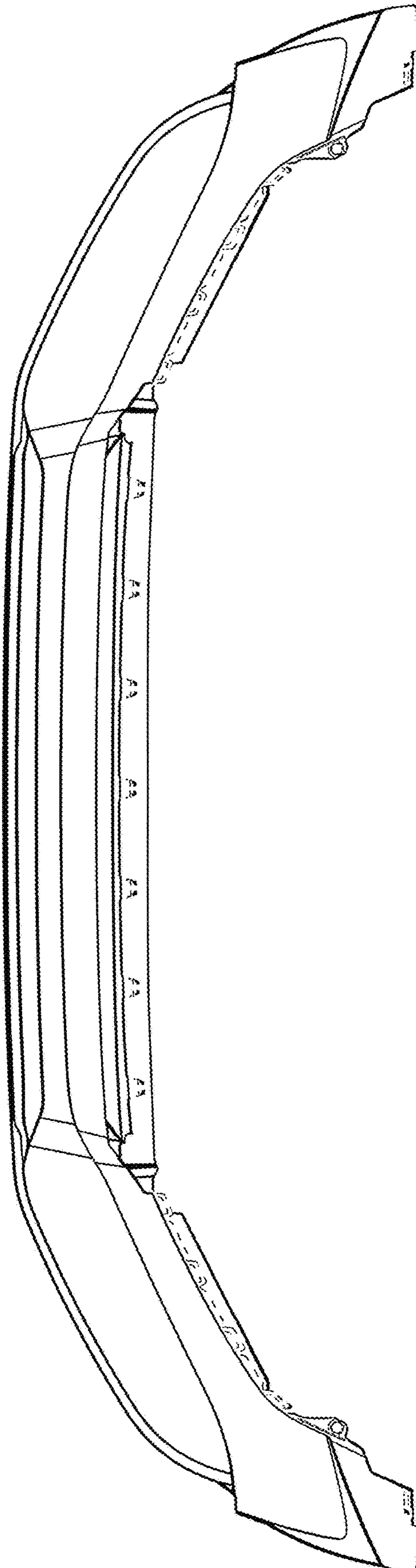


FIG. 7

