



US00D883865S

(12) **United States Design Patent** (10) **Patent No.:** **US D883,865 S**
Bucher et al. (45) **Date of Patent:** **** May 12, 2020**

(54) **VEHICLE FRONT UPPER GRILLE**

(71) Applicant: **Ford Global Technologies, LLC,**
Dearborn, MI (US)

(72) Inventors: **George Bucher,** Dearborn, MI (US);
Craig S. Metros, Bloomfield, MI (US);
Dean Carbis, Bloomfield Hills, MI
(US); **Steven Gilmore,** Farmington
Hills, MI (US); **Shawn Sung Yu,**
Canton, MI (US); **Jesse R. Diephuis,**
West Bloomfield, MI (US)

(73) Assignee: **Ford Global Technologies, LLC,**
Dearborn, MI (US)

(**) Term: **15 Years**

(21) Appl. No.: **29/631,970**

(22) Filed: **Jan. 4, 2018**

(51) **LOC (12) Cl.** **12-16**

(52) **U.S. Cl.**
USPC **D12/163**

(58) **Field of Classification Search**
USPC D12/86, 90, 91, 92, 163, 169, 196, 171,
D12/216; D15/31

(Continued)

(56) **References Cited**

U.S. PATENT DOCUMENTS

8,348,312 B2 * 1/2013 Bailey B60K 11/08
180/68.6

D718,196 S * 11/2014 Whang D12/171
(Continued)

Primary Examiner — Darlington Ly

(57) **CLAIM**

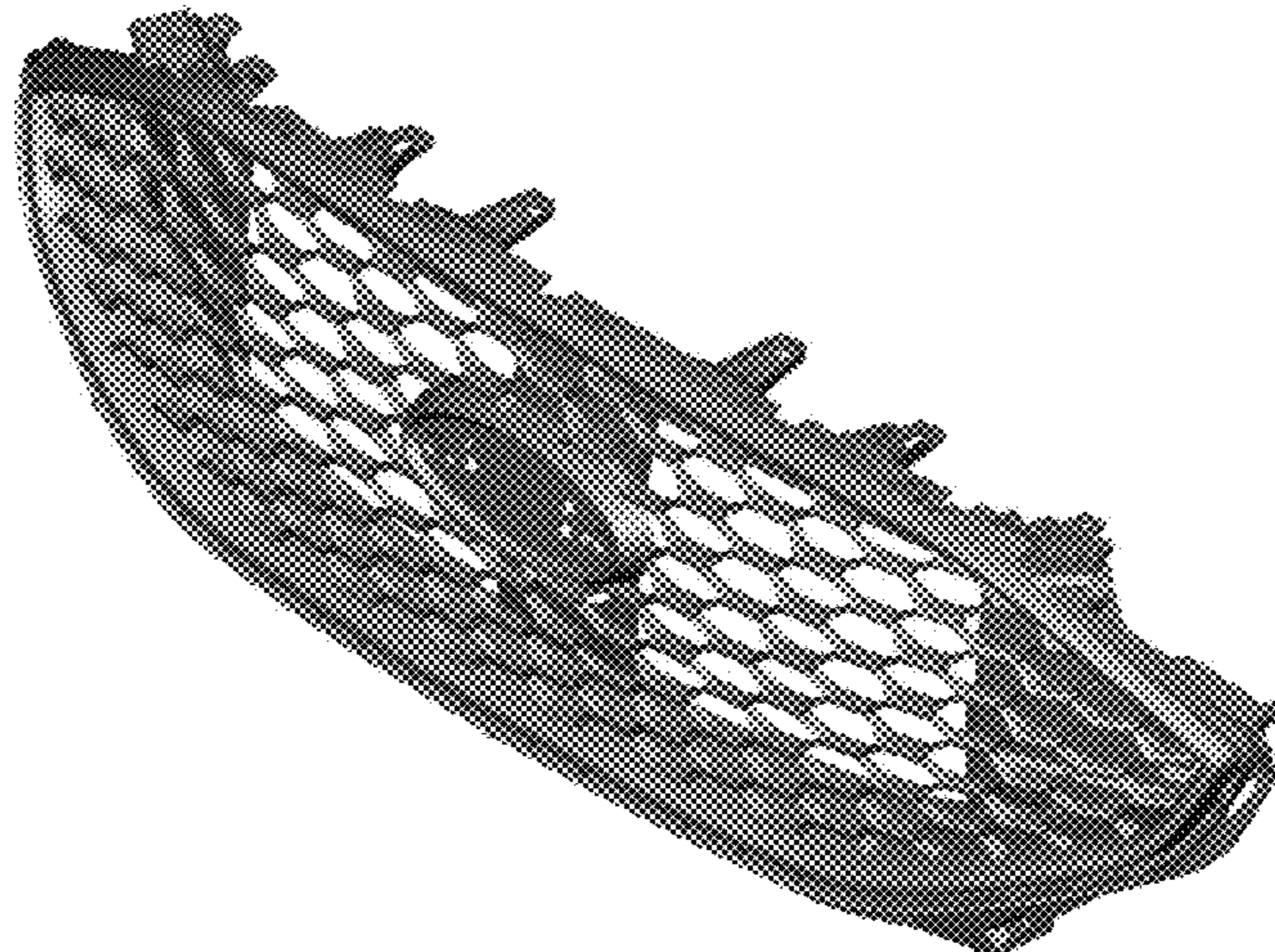
The ornamental design for a vehicle front upper grille, as shown and described.

DESCRIPTION

FIG. 1 is a front elevational view of a vehicle front upper grille, showing our new design;

FIG. 2 is a rear elevational view thereof;
FIG. 3 is a left side elevational view thereof;
FIG. 4 is a right side elevational view thereof;
FIG. 5 is a top plan view thereof;
FIG. 6 is a bottom plan view thereof;
FIG. 7 is a top, front, and left side perspective view thereof;
FIG. 8 is a bottom, front, and left side perspective view thereof; and
FIG. 9 is a top, rear, and left side perspective view thereof.
FIG. 10 is a front elevational view of a second embodiment of a vehicle front upper grille, showing our new design;
FIG. 11 is a rear elevational view thereof;
FIG. 12 is a left side elevational view thereof;
FIG. 13 is a right side elevational view thereof;
FIG. 14 is a top plan view thereof;
FIG. 15 is a bottom plan view thereof;
FIG. 16 is a top, front, and left side perspective view thereof;
FIG. 17 is a bottom, front, and left side perspective view thereof; and
FIG. 18 is a top, rear, and left side perspective view thereof.
FIG. 19 is a front elevational view of a third embodiment of a vehicle front upper grille, showing our new design;
FIG. 20 is a rear elevational view thereof;
FIG. 21 is a left side elevational view thereof;
FIG. 22 is a right side elevational view thereof;
FIG. 23 is a top plan view thereof;
FIG. 24 is a bottom plan view thereof;
FIG. 25 is a top, front, and left side perspective view thereof;
FIG. 26 is a bottom, front, and left side perspective view thereof; and
FIG. 27 is a top, rear, and left side perspective view thereof.
FIG. 28 is a front elevational view of a fourth embodiment of a vehicle front upper grille, showing our new design;
FIG. 29 is a rear elevational view thereof;
FIG. 30 is a left side elevational view thereof;
FIG. 31 is a right side elevational view thereof;
FIG. 32 is a top plan view thereof;
FIG. 33 is a bottom plan view thereof;
FIG. 34 is a top, front, and left side perspective view thereof;
FIG. 35 is a bottom, front, and left side perspective view thereof; and,
FIG. 36 is a top, rear, and left side perspective view thereof.

1 Claim, 36 Drawing Sheets



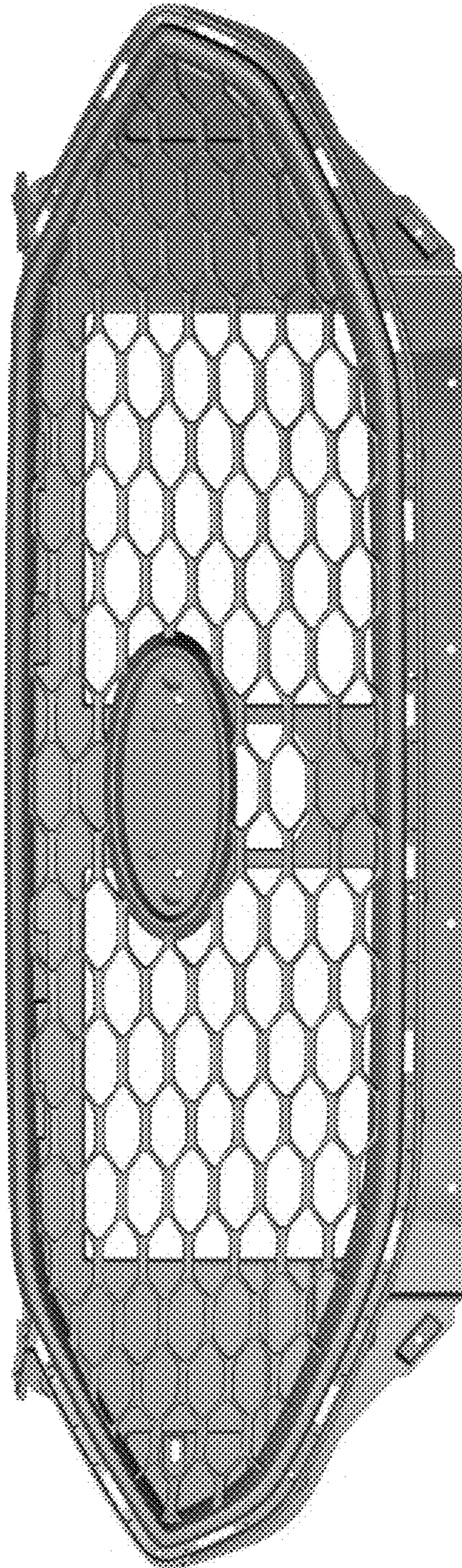


Fig. 1

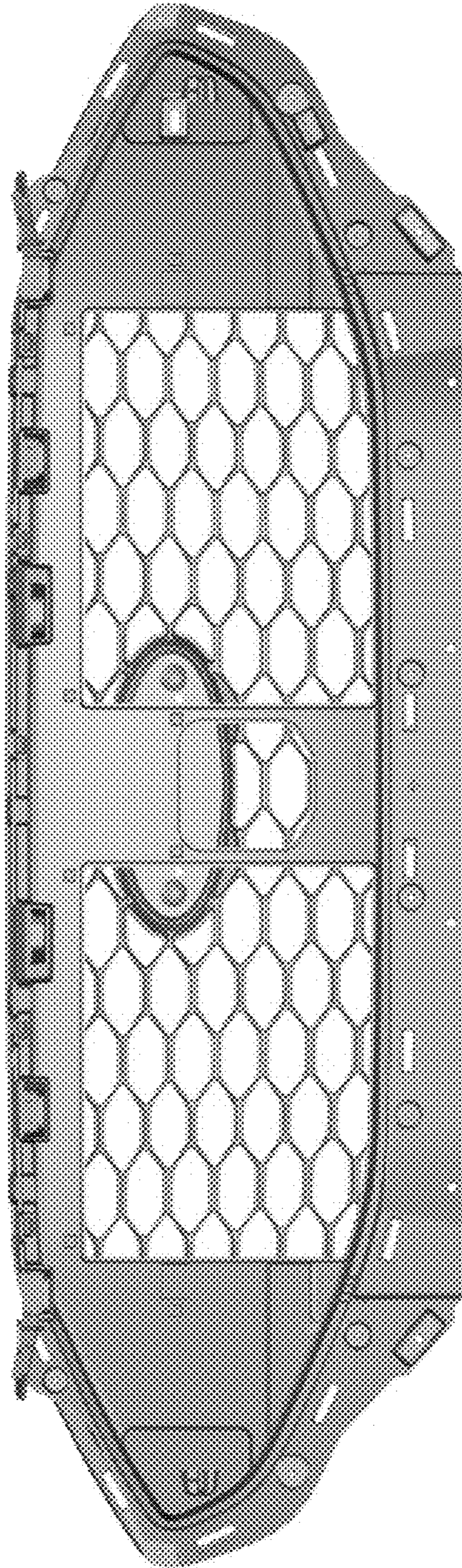


Fig. 2

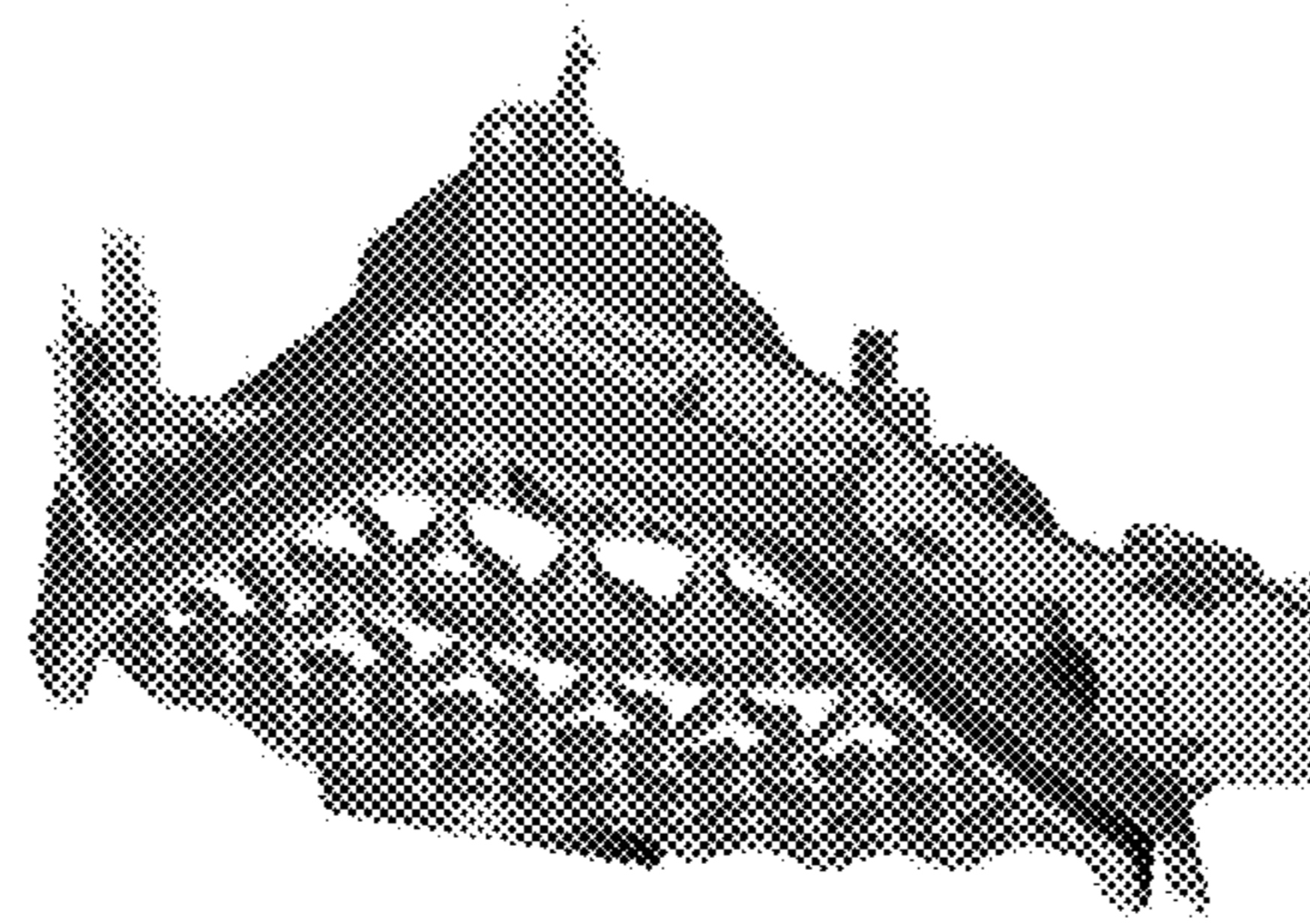


Fig. 3

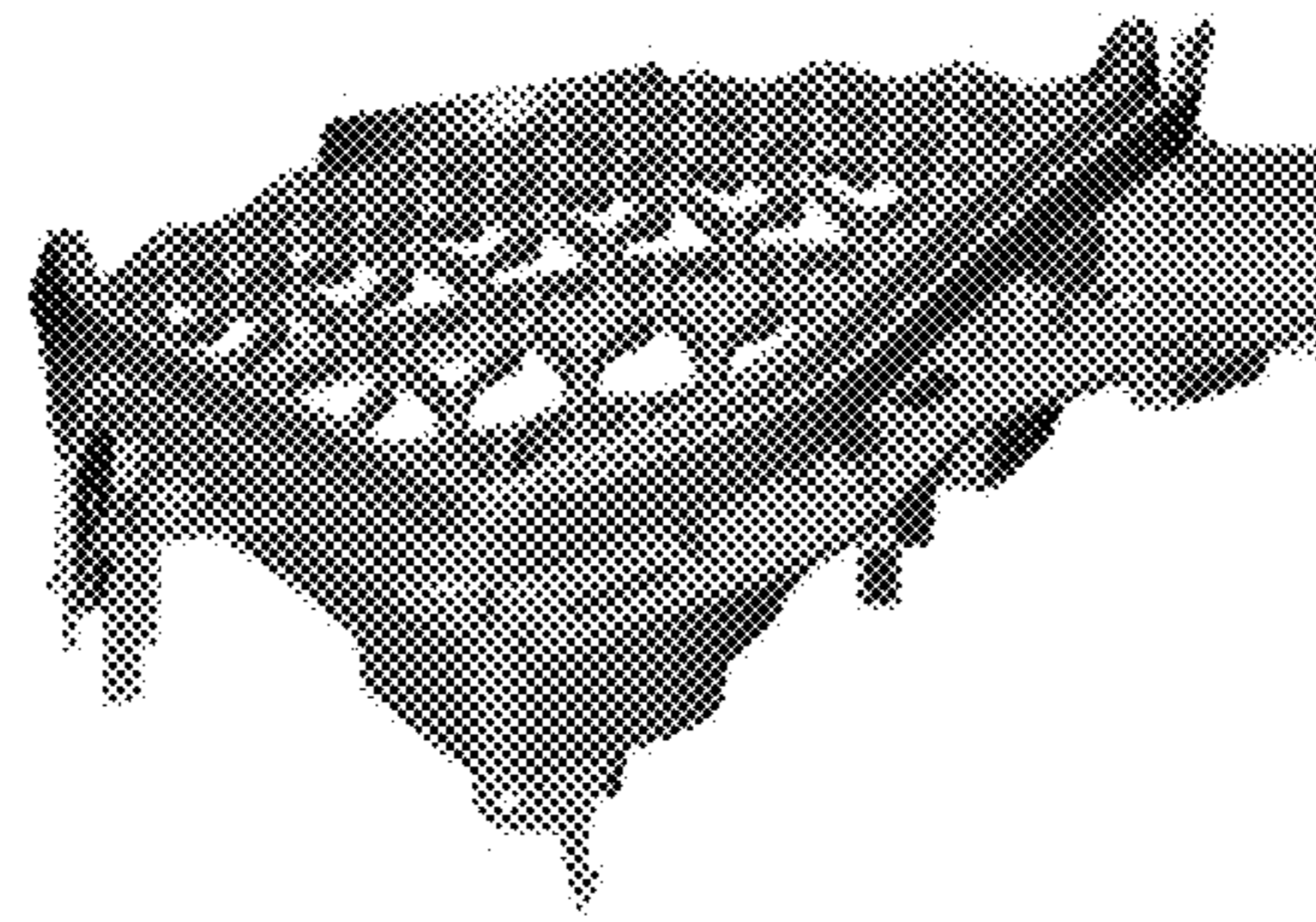


Fig. 4

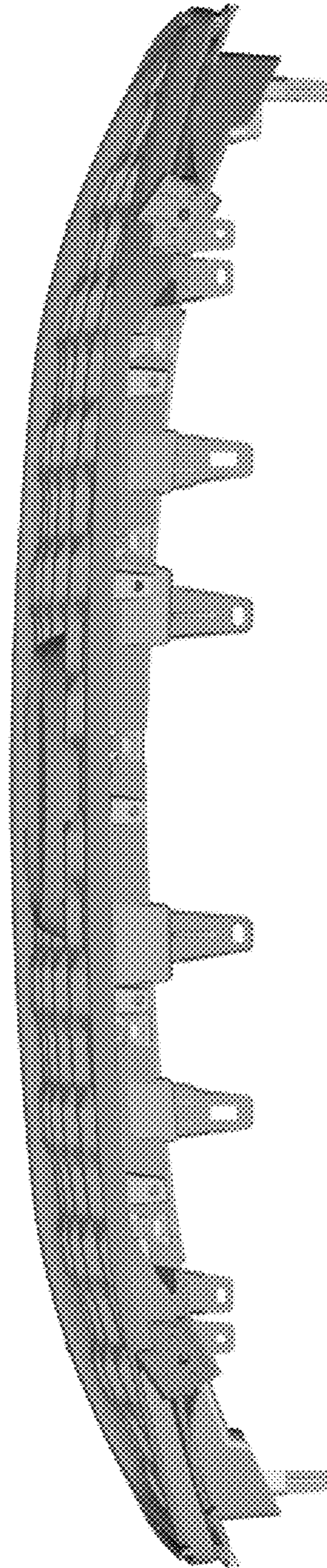


Fig. 5

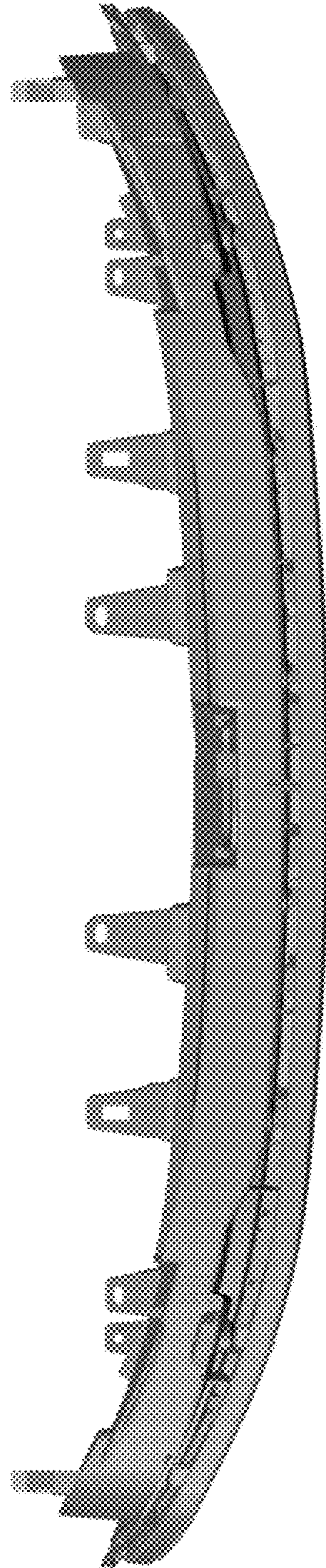


Fig. 6

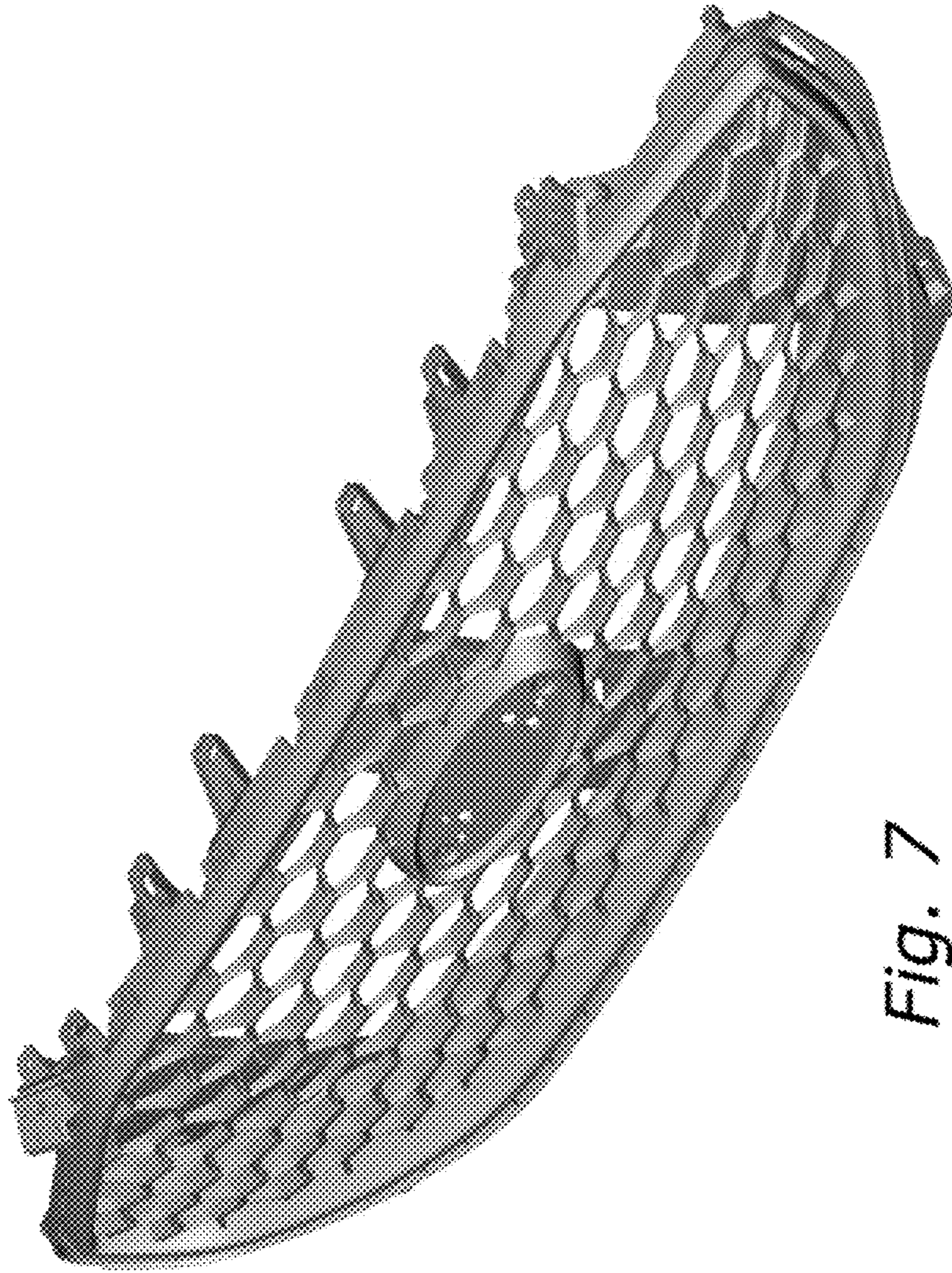


Fig. 7

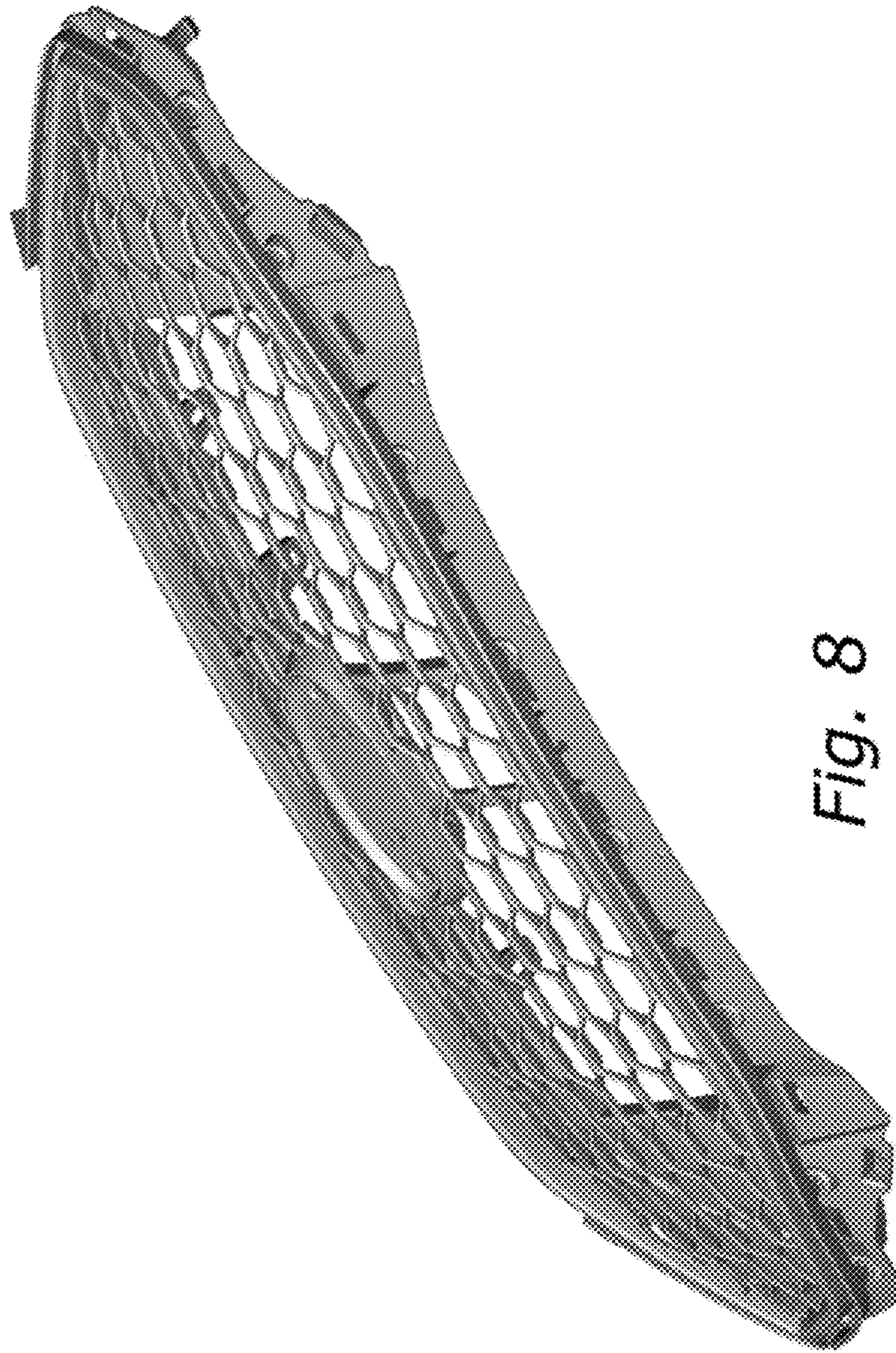


Fig. 8

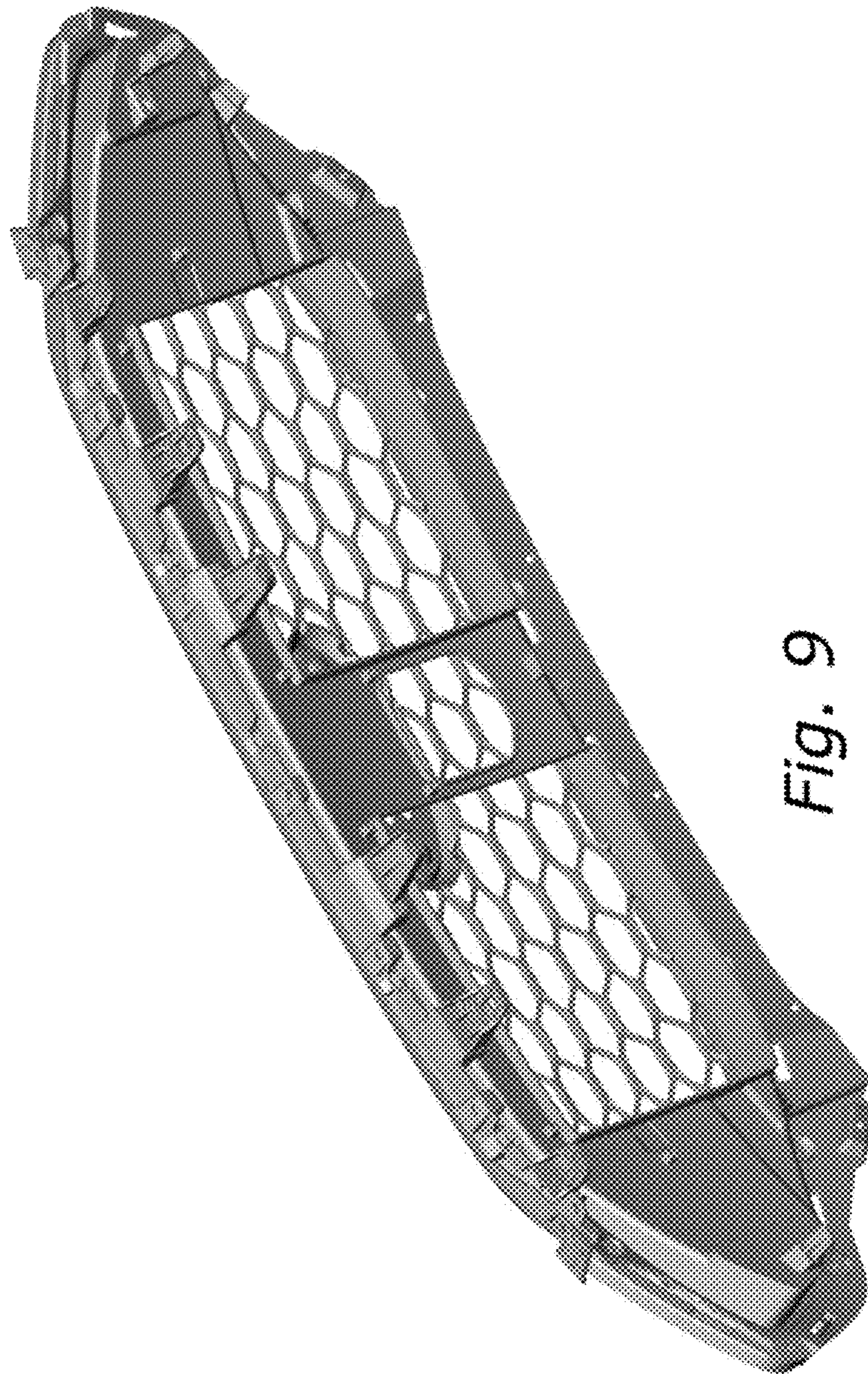


Fig. 9

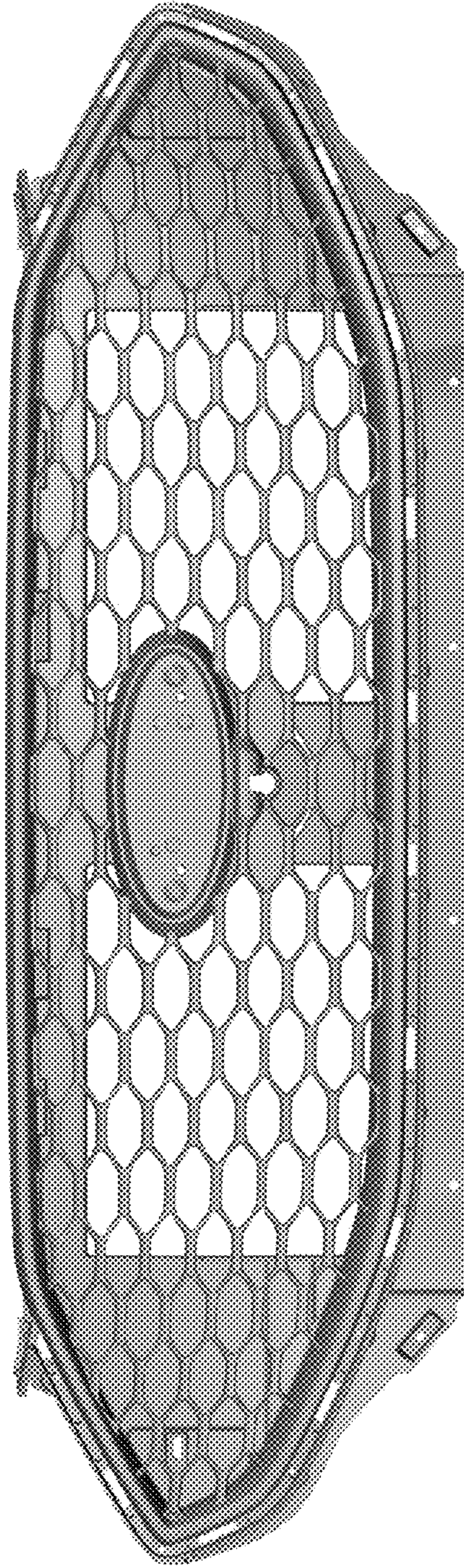


Fig. 10

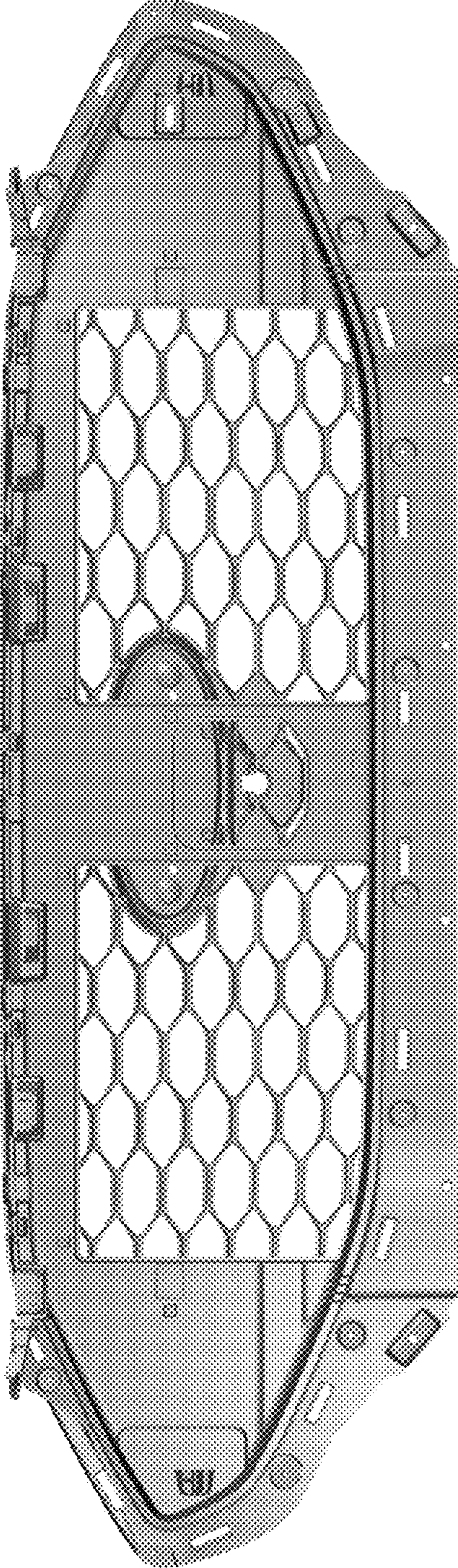


Fig. 11

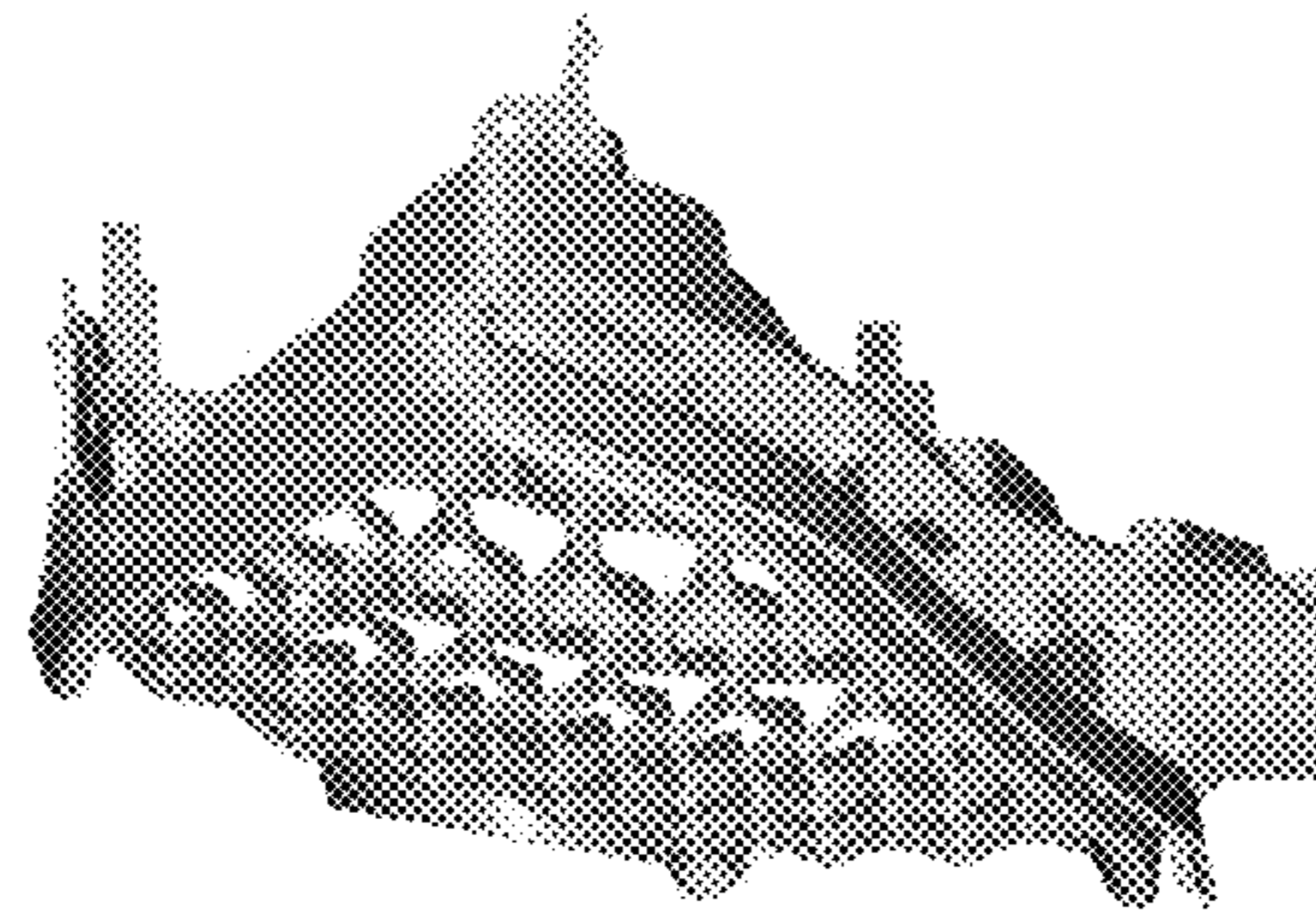


Fig. 12

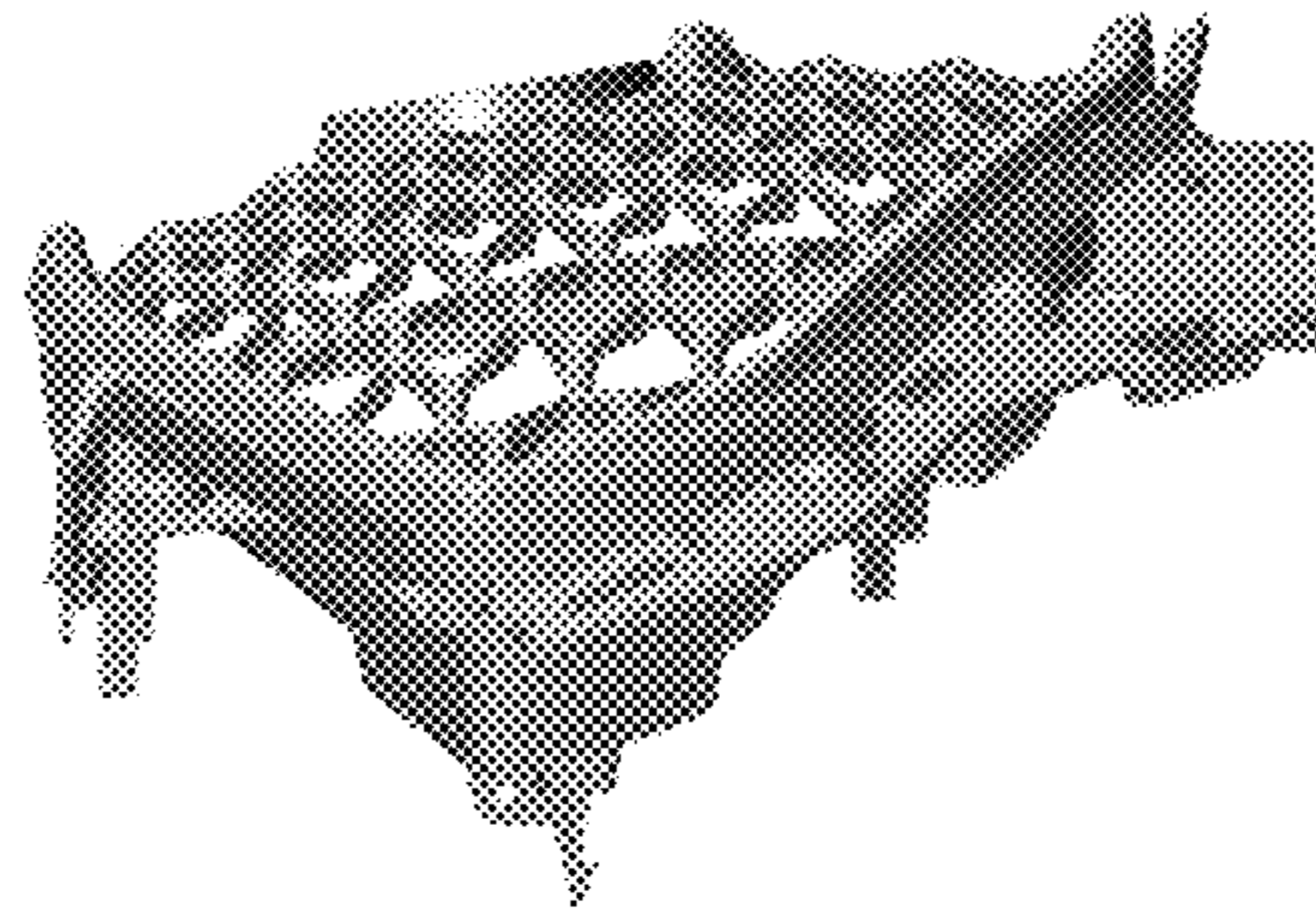


Fig. 13

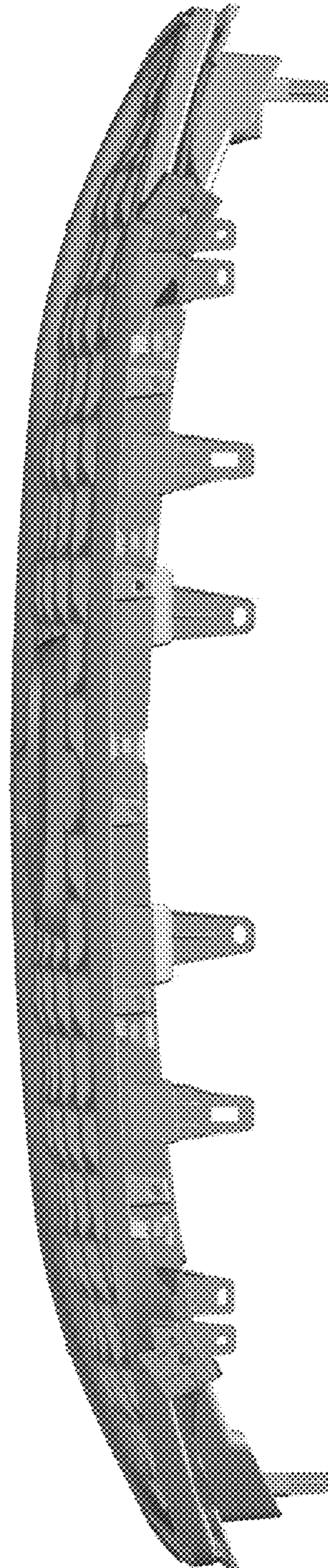


Fig. 14

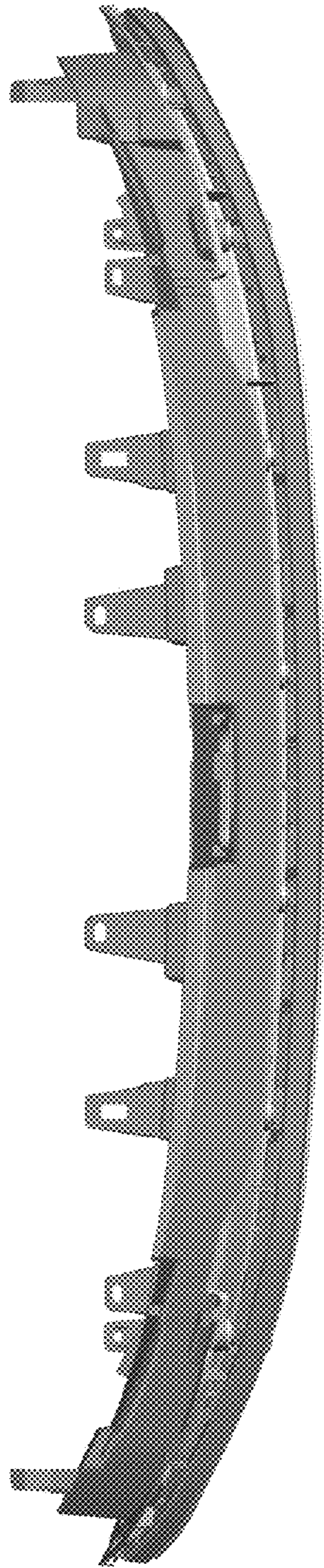


Fig. 15

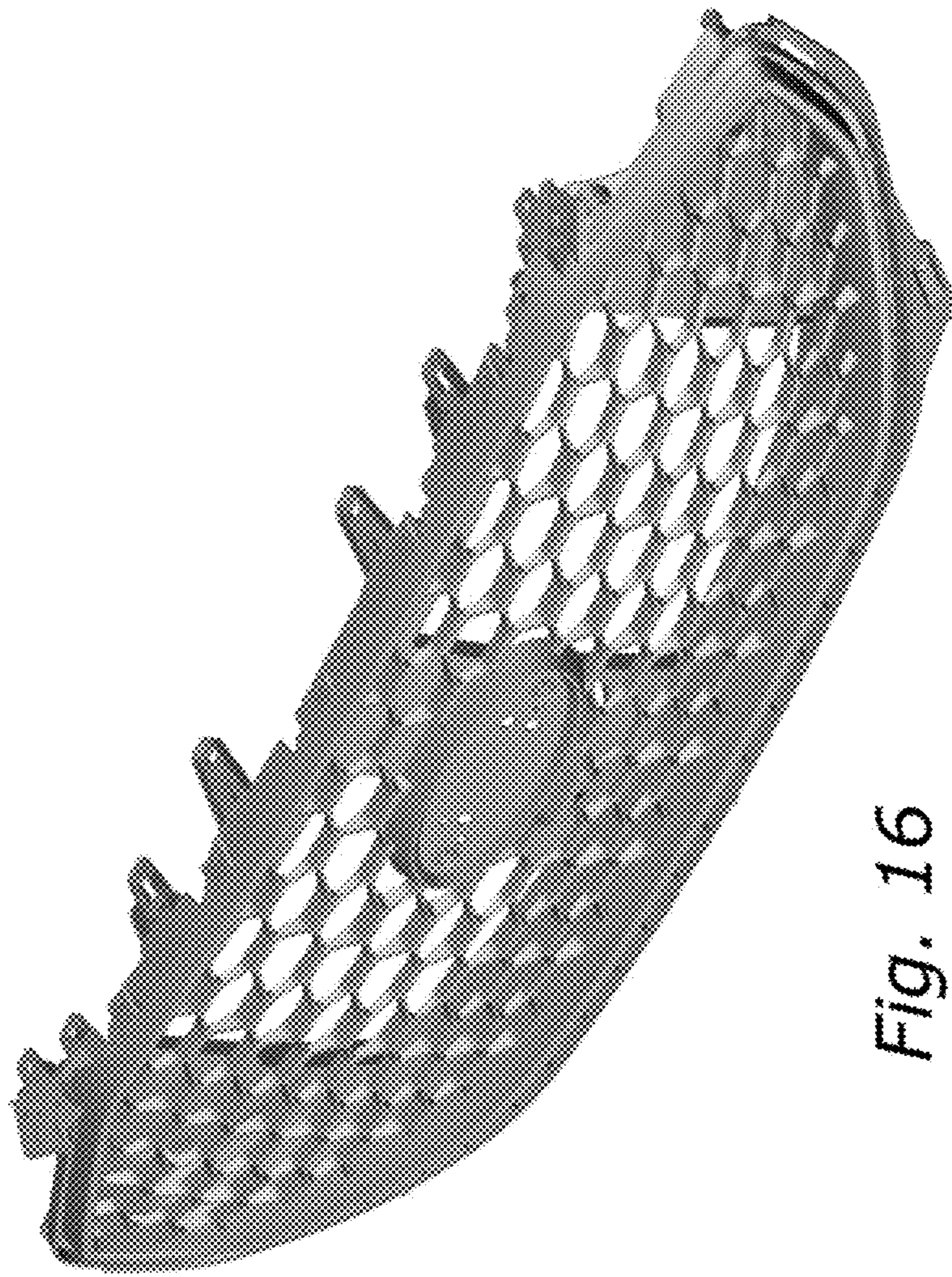


Fig. 16

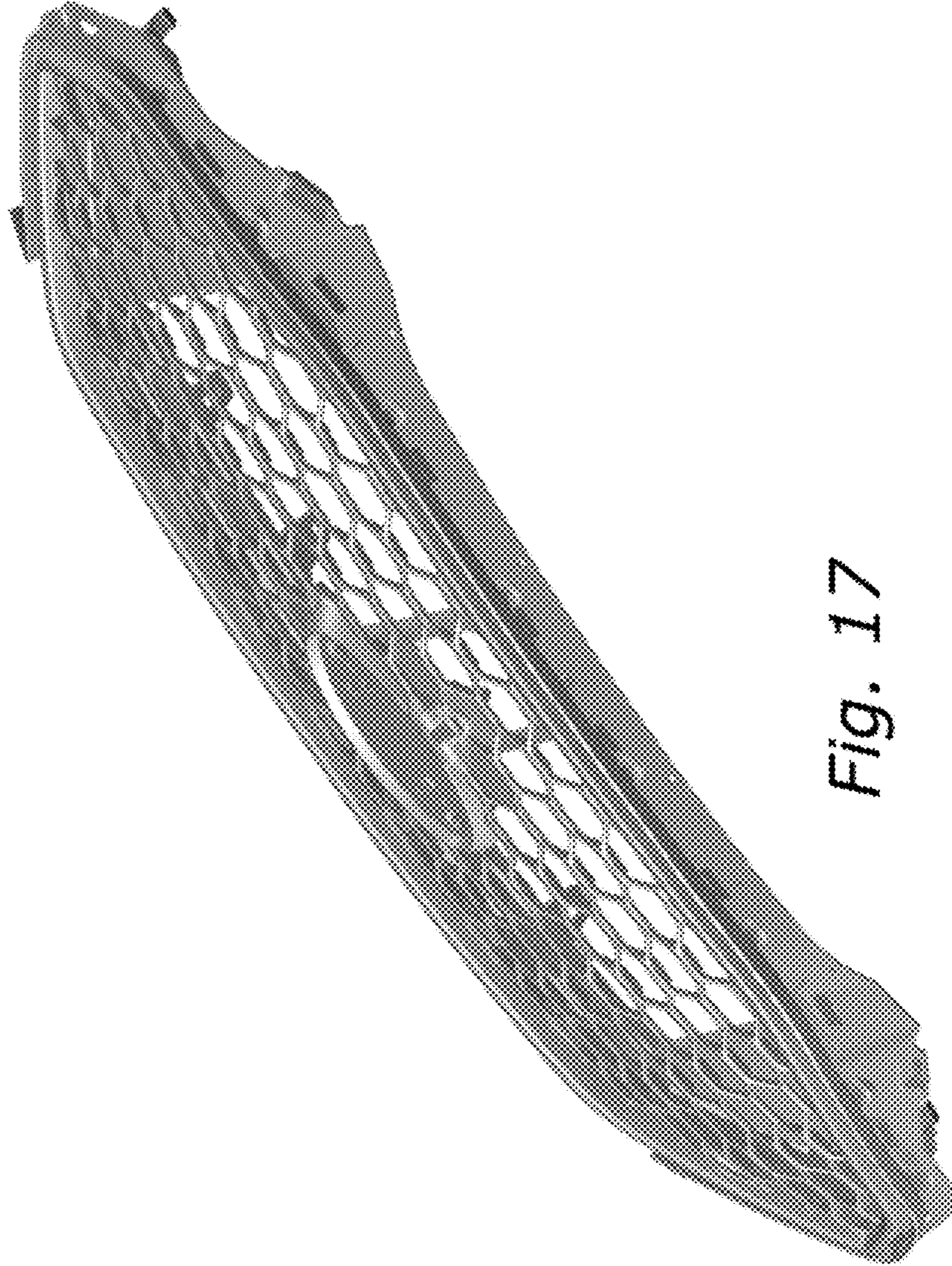


Fig. 17

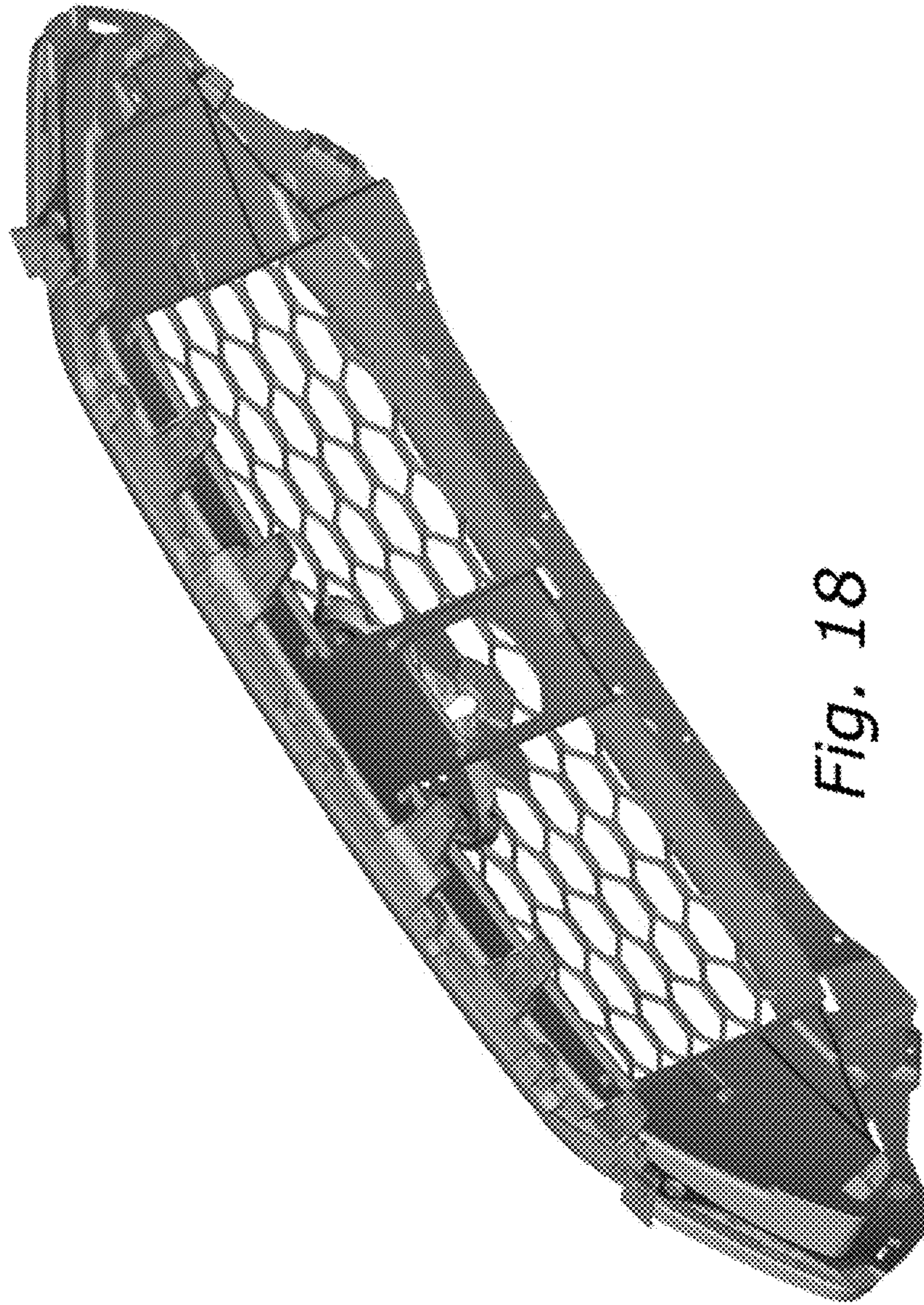


FIG. 18

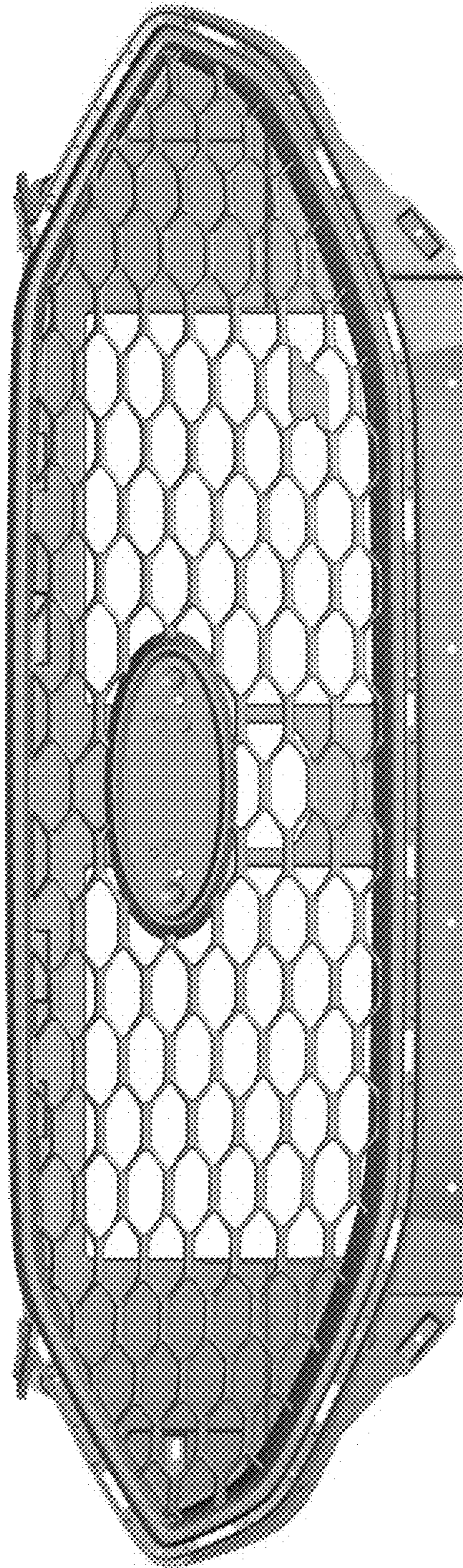


Fig. 19

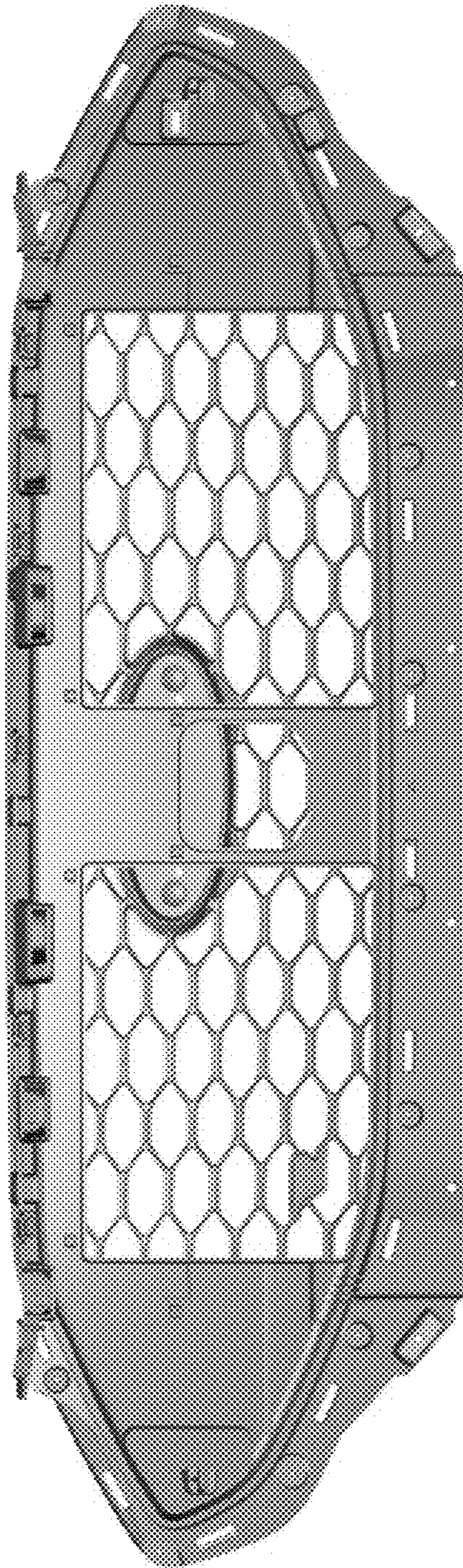


Fig. 20

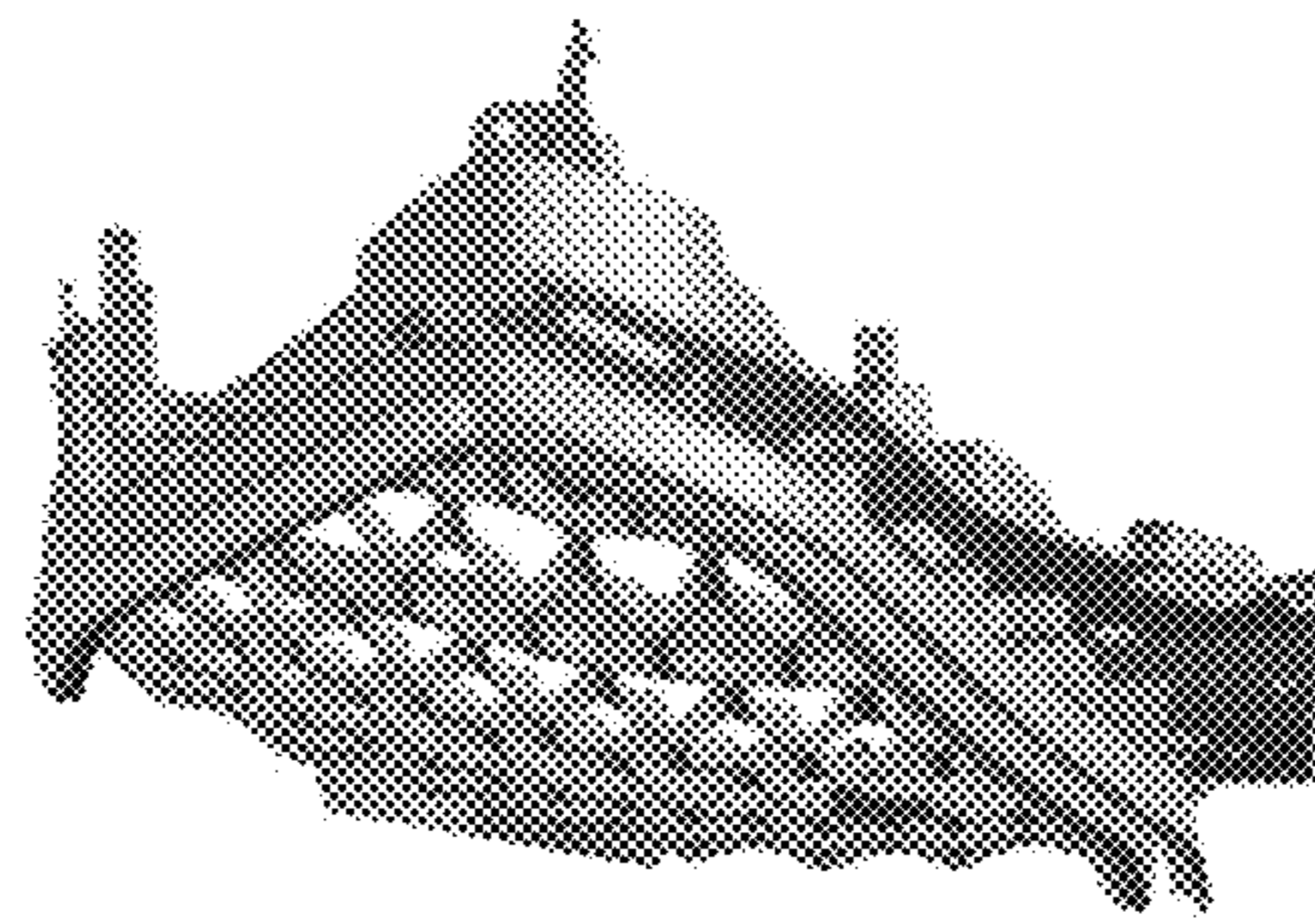


Fig. 21

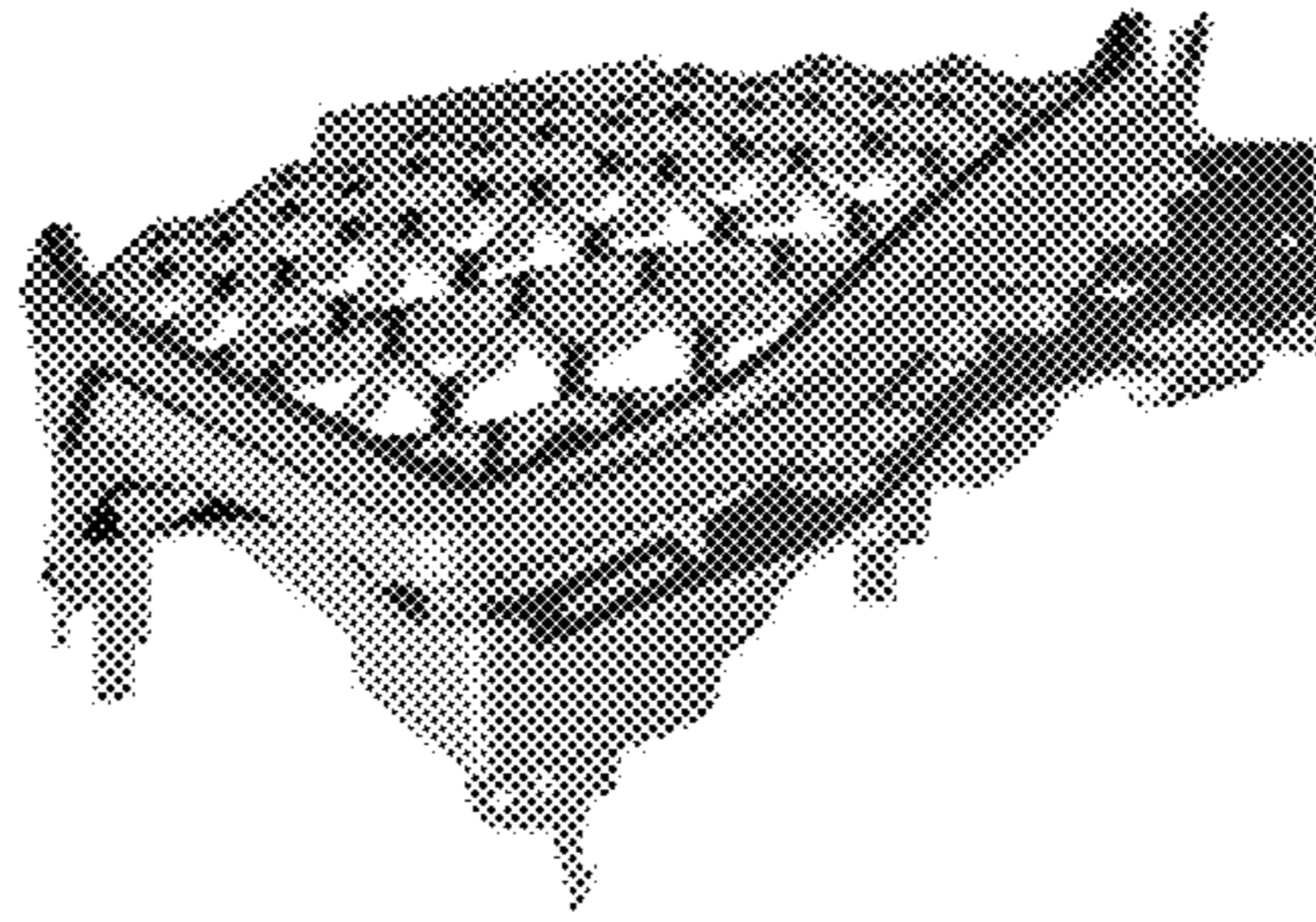


Fig. 22

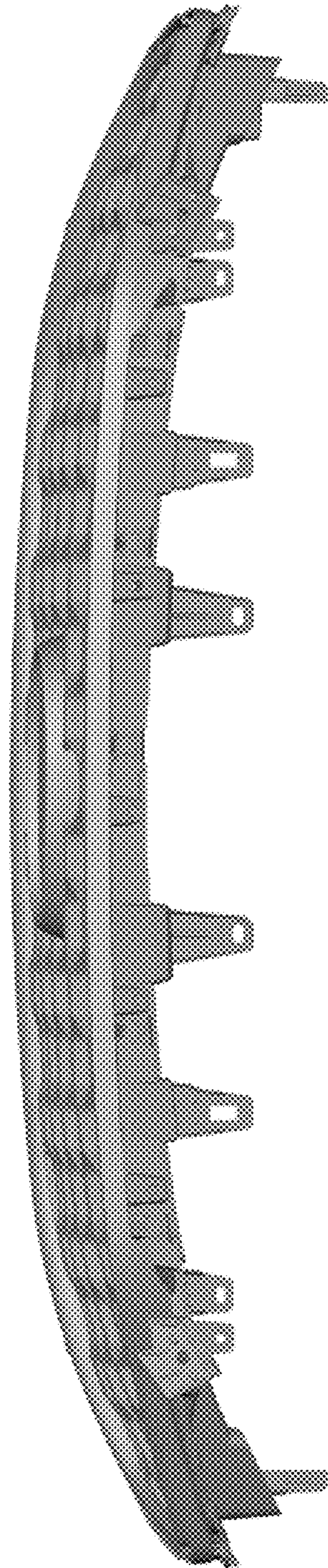


Fig. 23

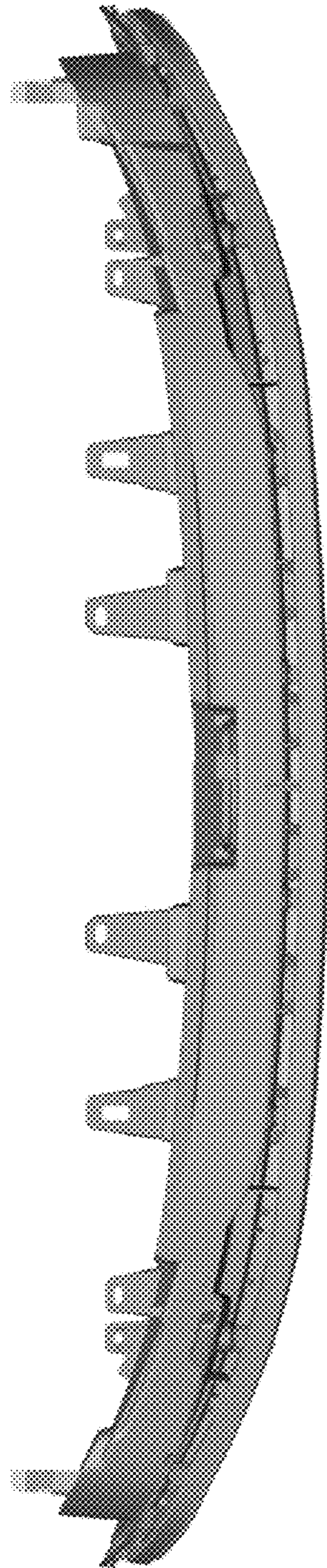


Fig. 24

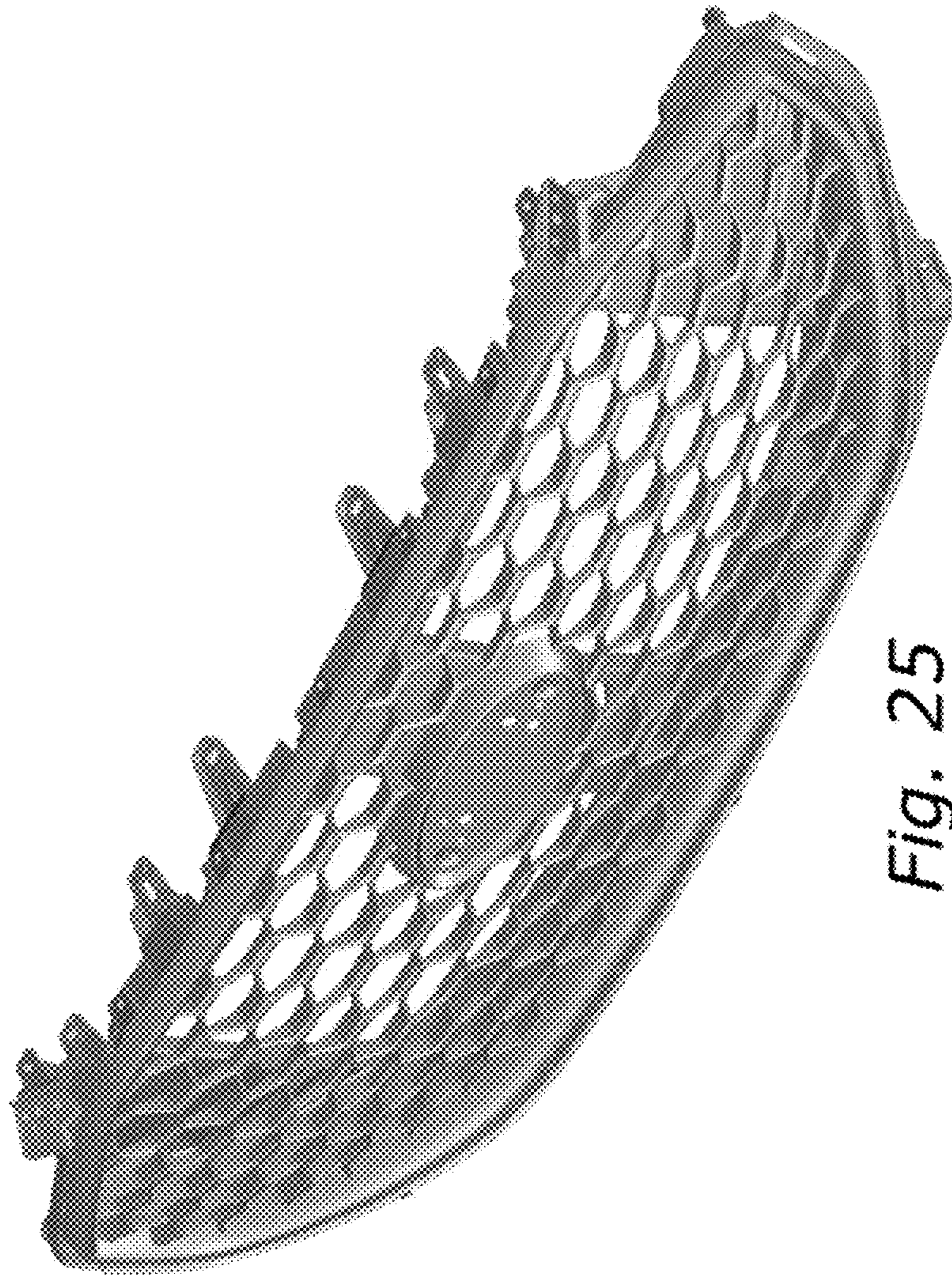


Fig. 25

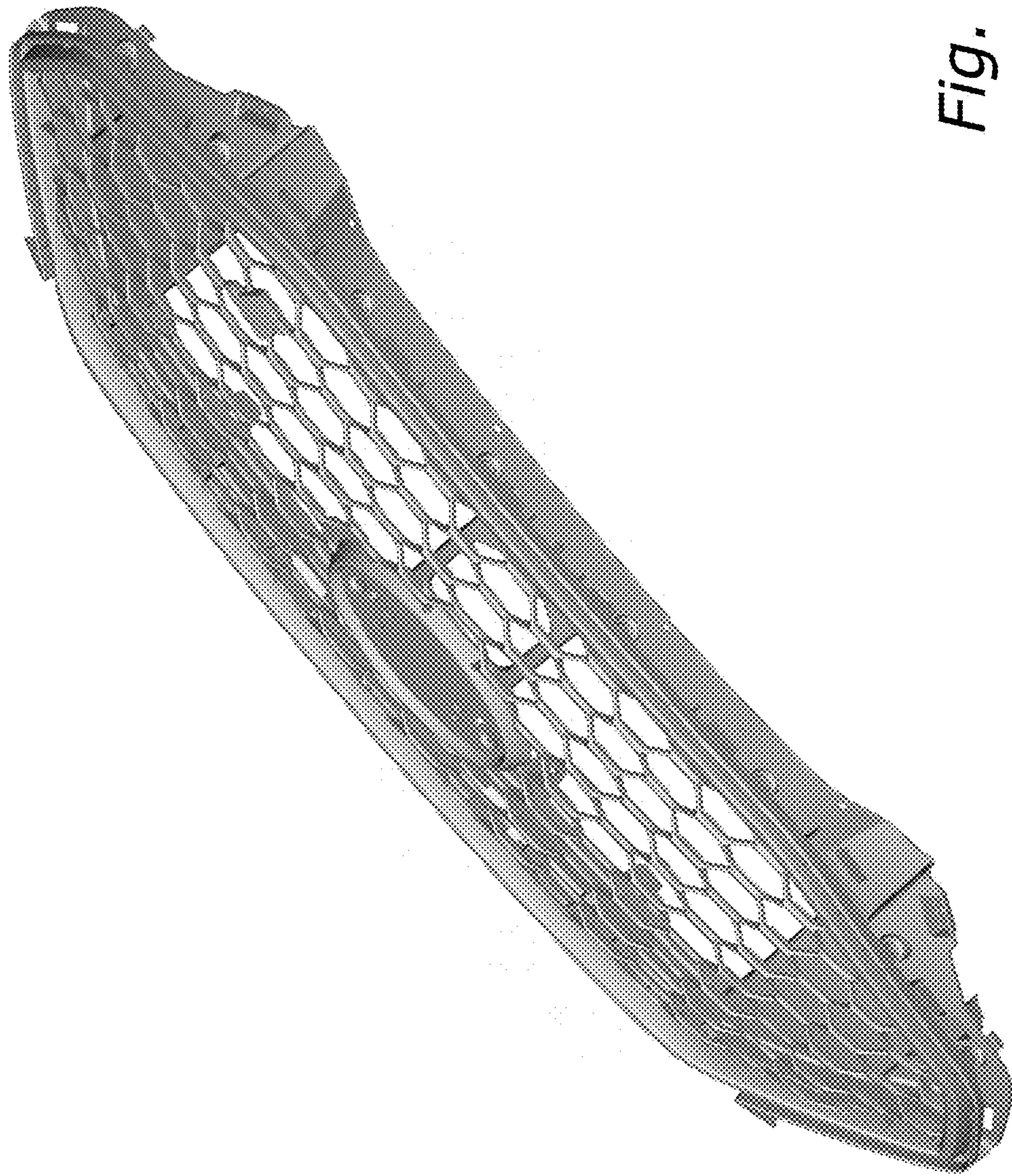


Fig. 26



Fig. 27

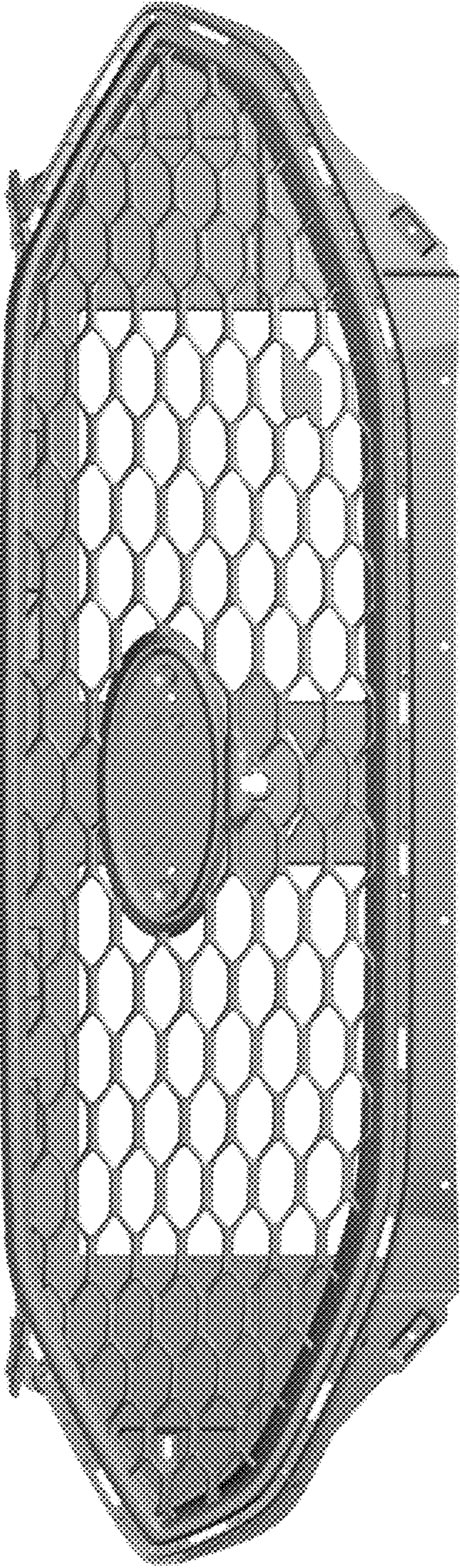


Fig. 28

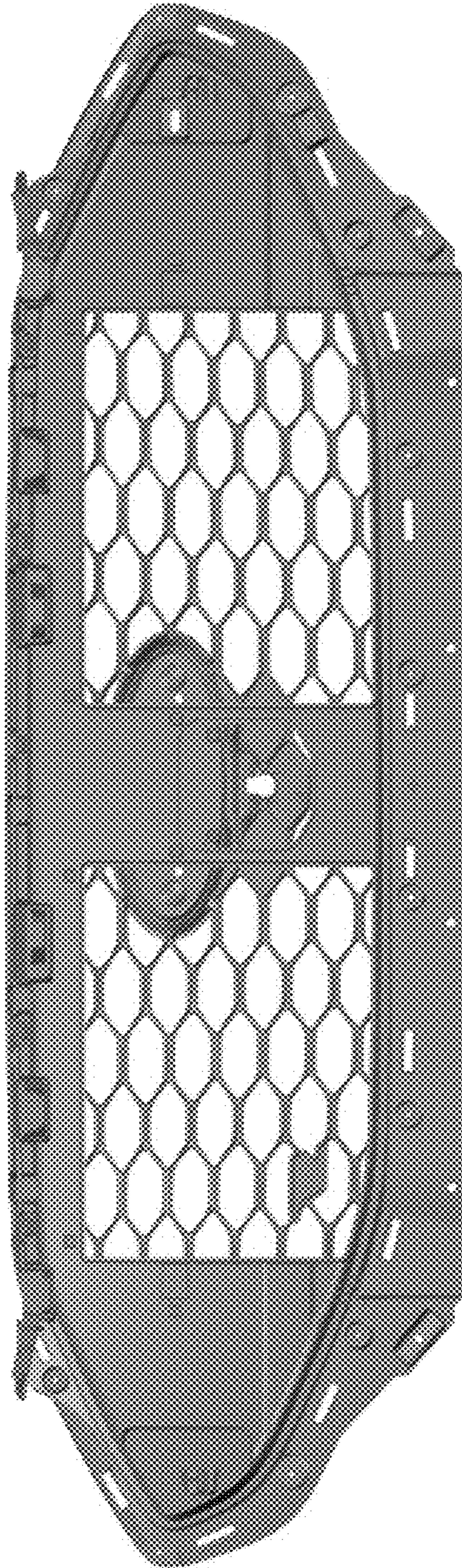


Fig. 29

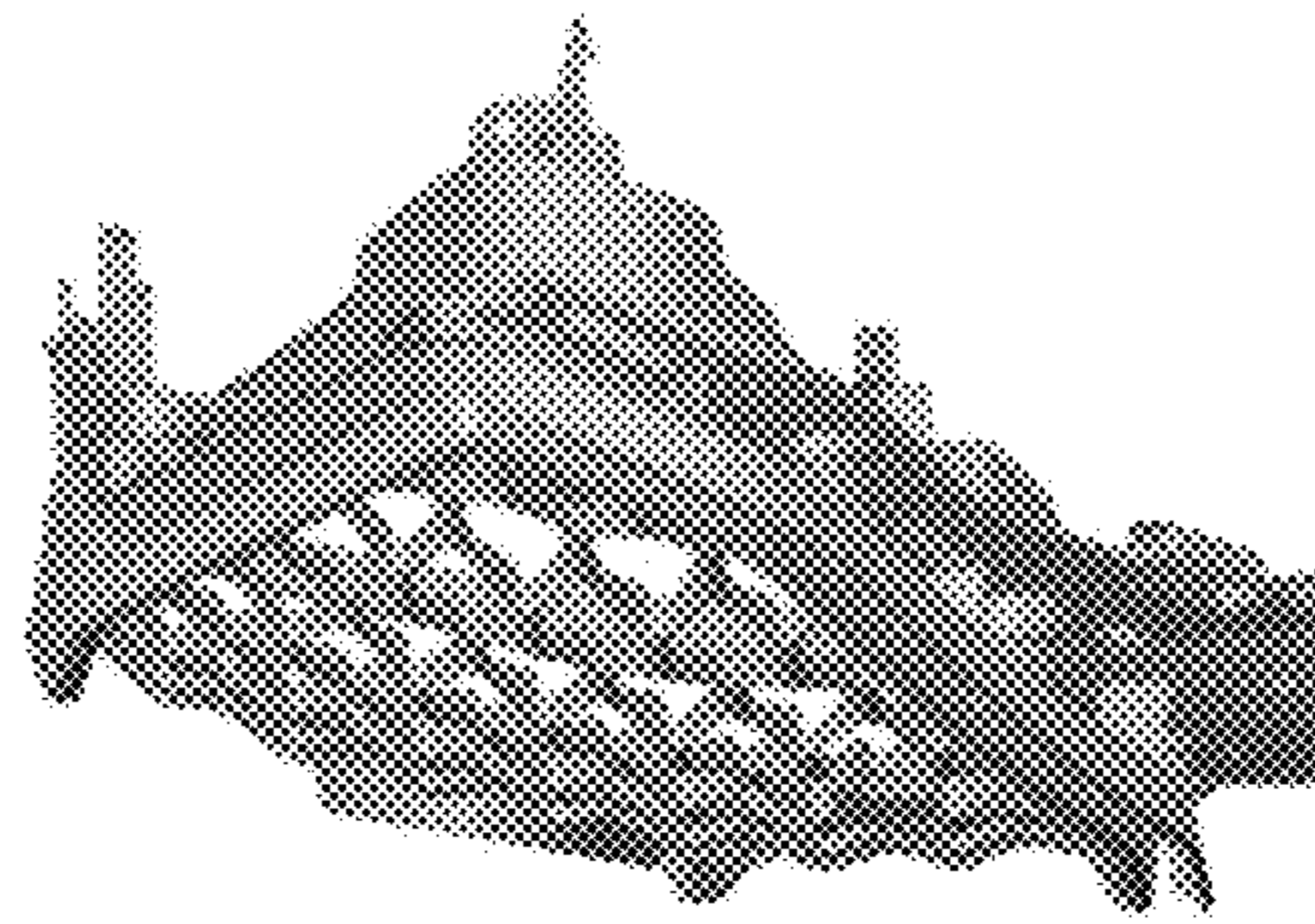


Fig. 30

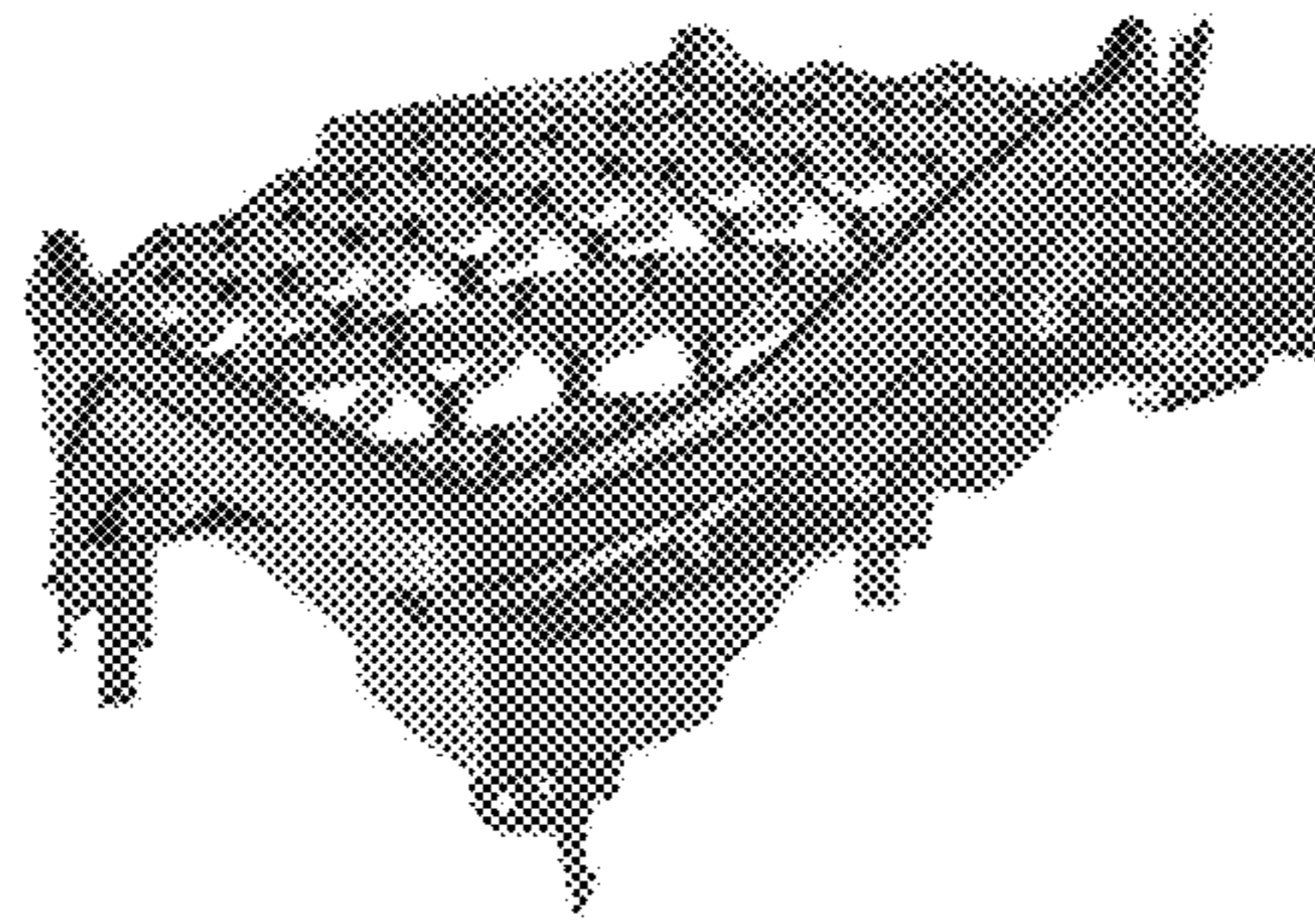


Fig. 31

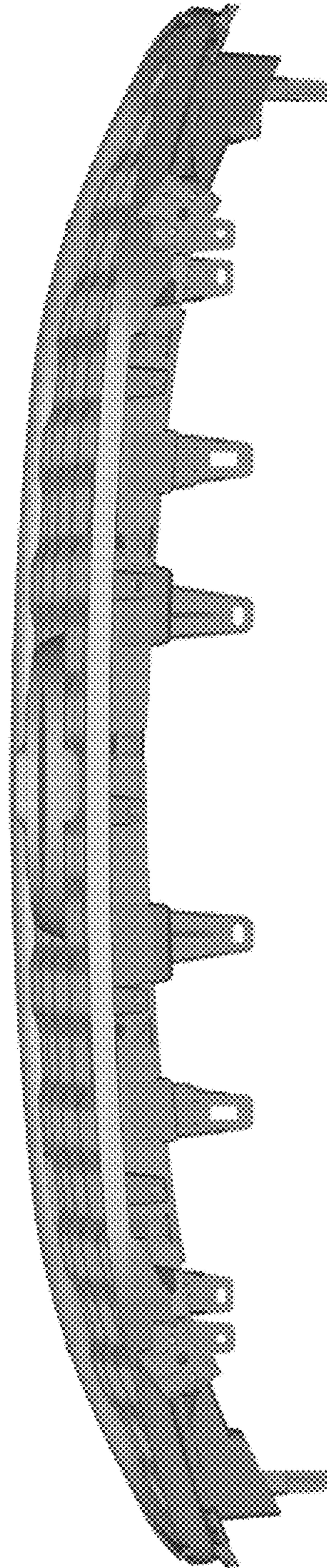


Fig. 32

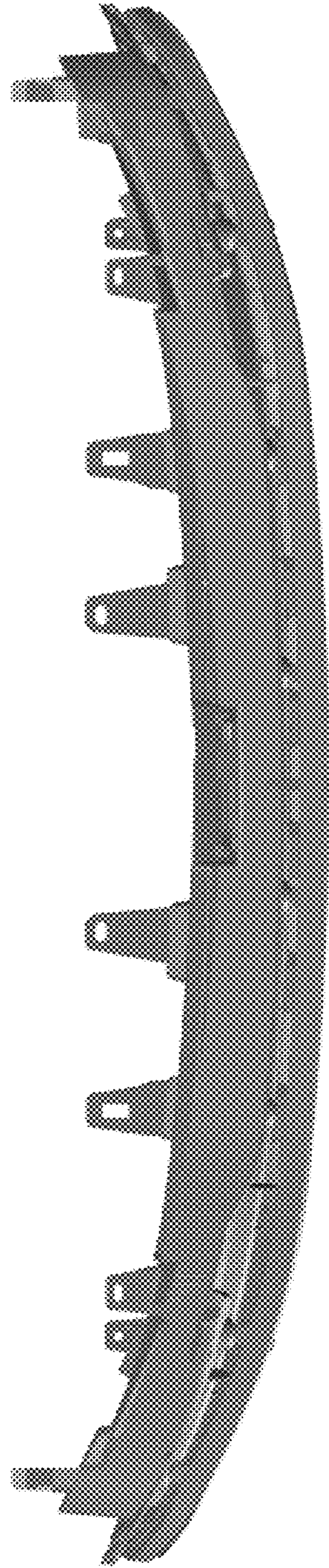


Fig. 33

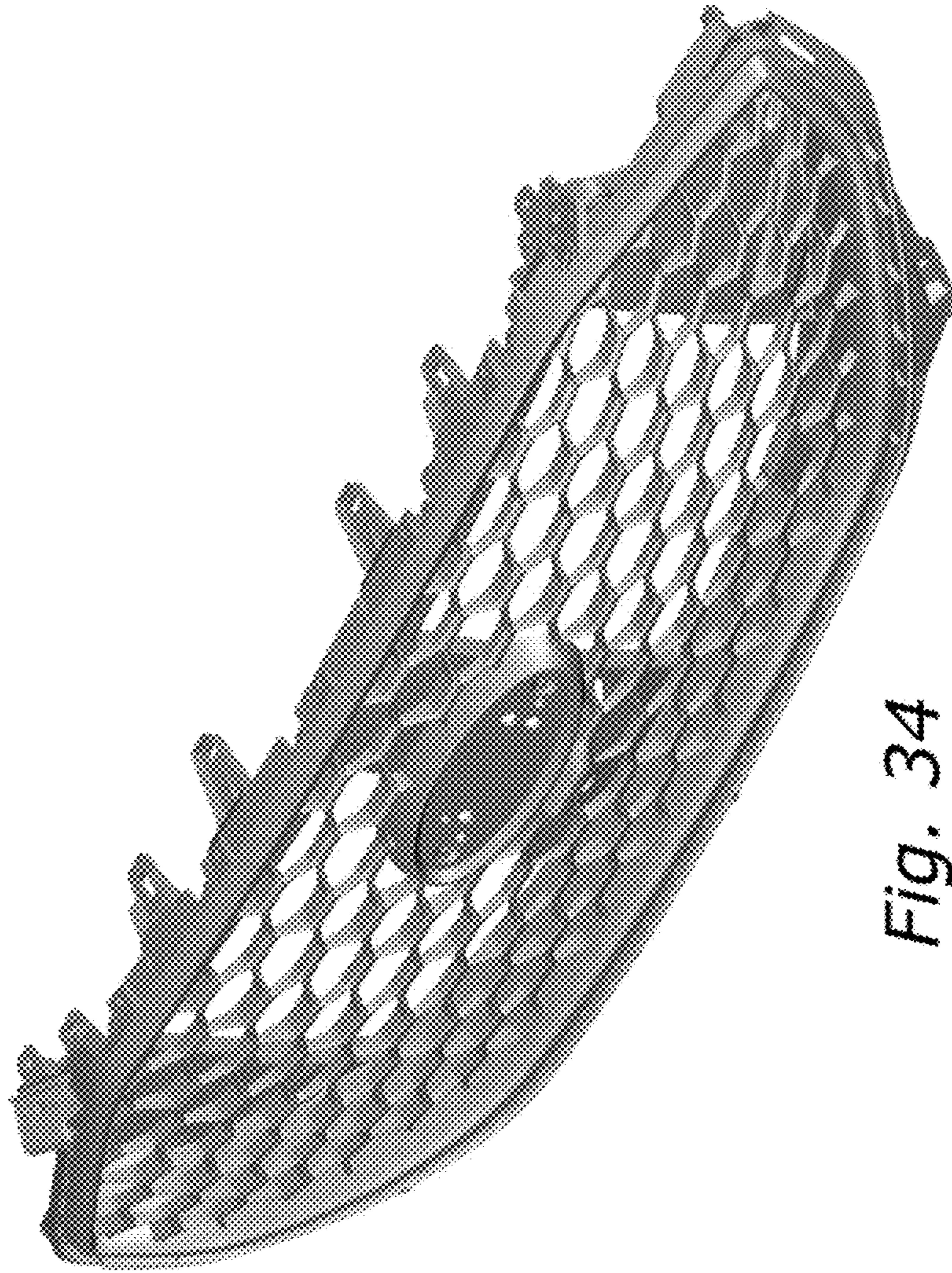


Fig. 34

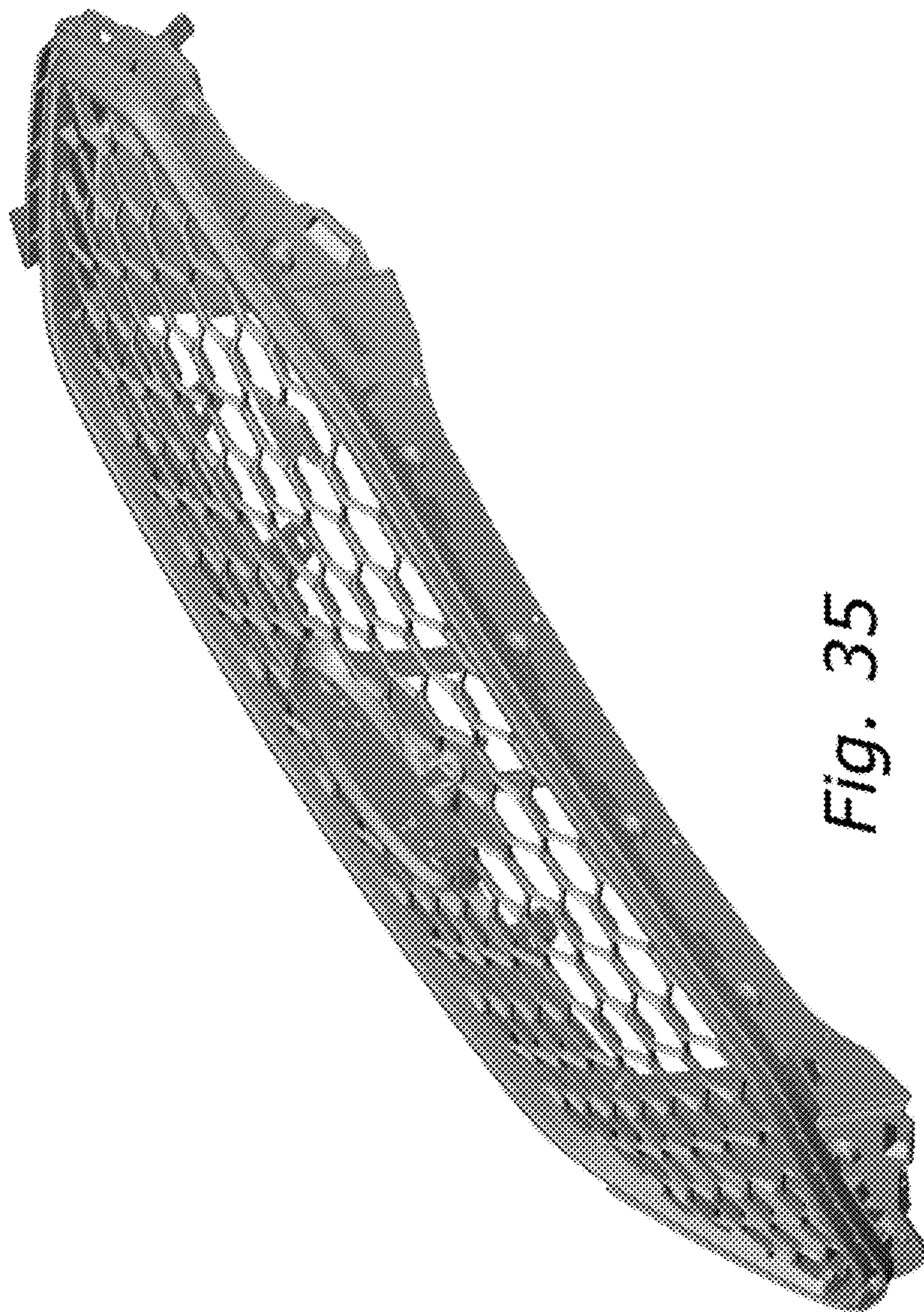


Fig. 35

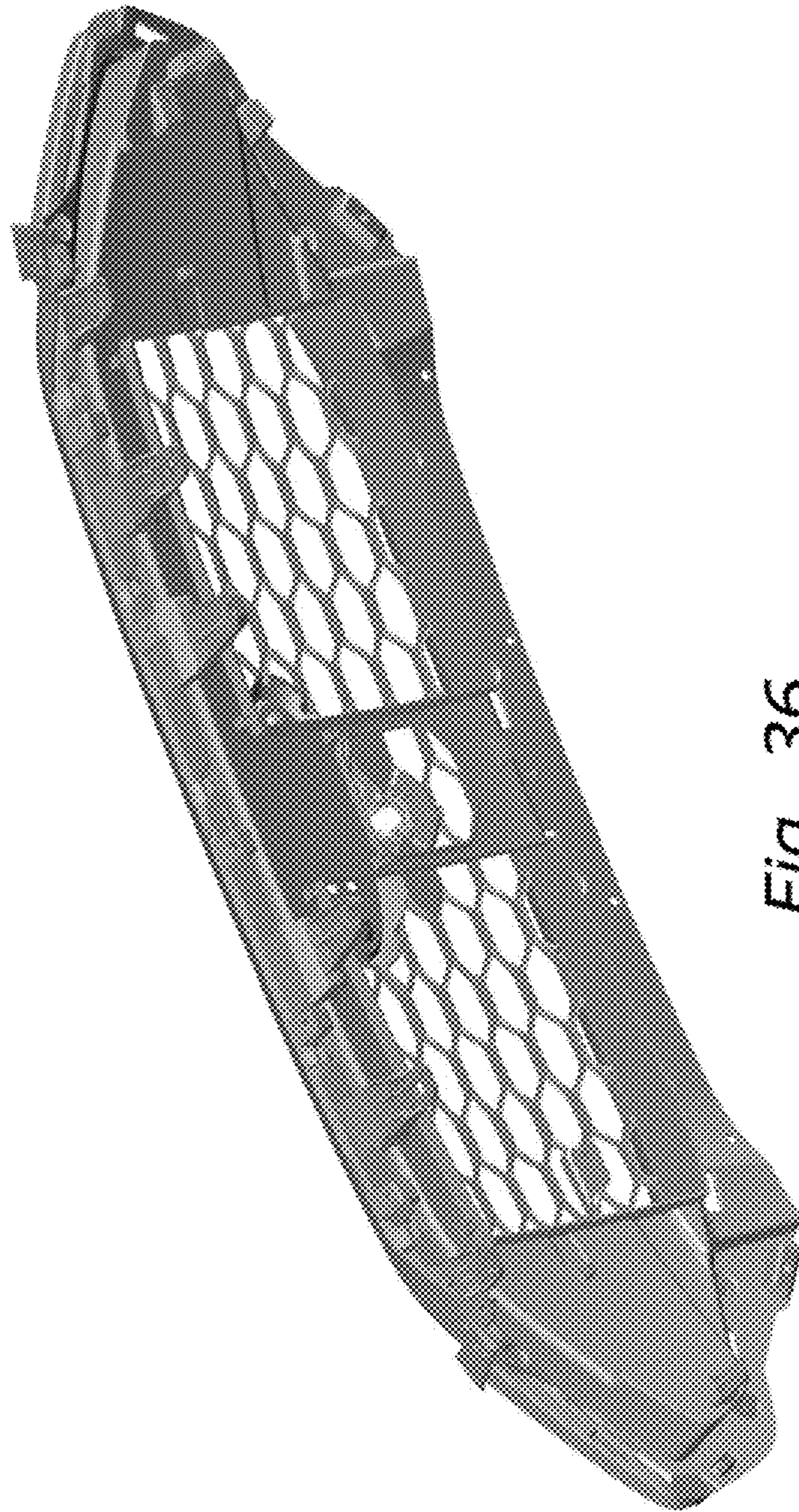


Fig. 36