



US00D883862S

(12) **United States Design Patent**
Liu et al.

(10) **Patent No.:** **US D883,862 S**

(45) **Date of Patent:** **** May 12, 2020**

(54) **ELECTRIC WHEELCHAIR**

(56) **References Cited**

(71) Applicant: **SICHUAN GOLDEN RIDGE INTELLIGENCE SCIENCE & TECHNOLOGY CO., LTD.**, Chengdu (CN)

U.S. PATENT DOCUMENTS

D526,938 S	*	8/2006	Nagel	D12/128
D530,650 S	*	10/2006	Azuma	D12/131
D556,647 S	*	12/2007	Yamagishi	D12/131
D561,651 S	*	2/2008	Yamagishi	D12/131
D590,751 S	*	4/2009	Yang	D12/128
D608,255 S	*	1/2010	Arnell	D12/132
D786,740 S	*	5/2017	Abe	D12/128
D833,917 S	*	11/2018	Jiang	D12/128
D848,905 S	*	5/2019	Jiang	D12/128
D849,604 S	*	5/2019	Wu	D12/128

(72) Inventors: **Weirong Liu**, Beijing (CN); **Yin Jiao**, Gothenburg (SE); **Li Yan**, Gothenburg (SE); **Jiaxin Li**, Chengdu (CN)

* cited by examiner

(73) Assignee: **SICHUAN GOLDEN RIDGE INTELLIGENCE SCIENCE & TECHNOLOGY CO., LTD.**, Chengdu (CN)

Primary Examiner — Charles D Hanson

(74) *Attorney, Agent, or Firm* — Metis IP LLC

(**) Term: **15 Years**

(57) **CLAIM**

The ornamental design for an electric wheelchair, as shown and described.

(21) Appl. No.: **29/667,843**

DESCRIPTION

(22) Filed: **Oct. 25, 2018**

FIG. 1 is a perspective view of an electric wheelchair; FIG. 2 is a front view thereof; FIG. 3 is a rear view thereof; FIG. 4 is a right view thereof; FIG. 5 is a left view thereof; FIG. 6 is a top view thereof; and, FIG. 7 is a bottom view thereof.

(30) **Foreign Application Priority Data**

Apr. 25, 2018 (CN) 2018 3 0175586

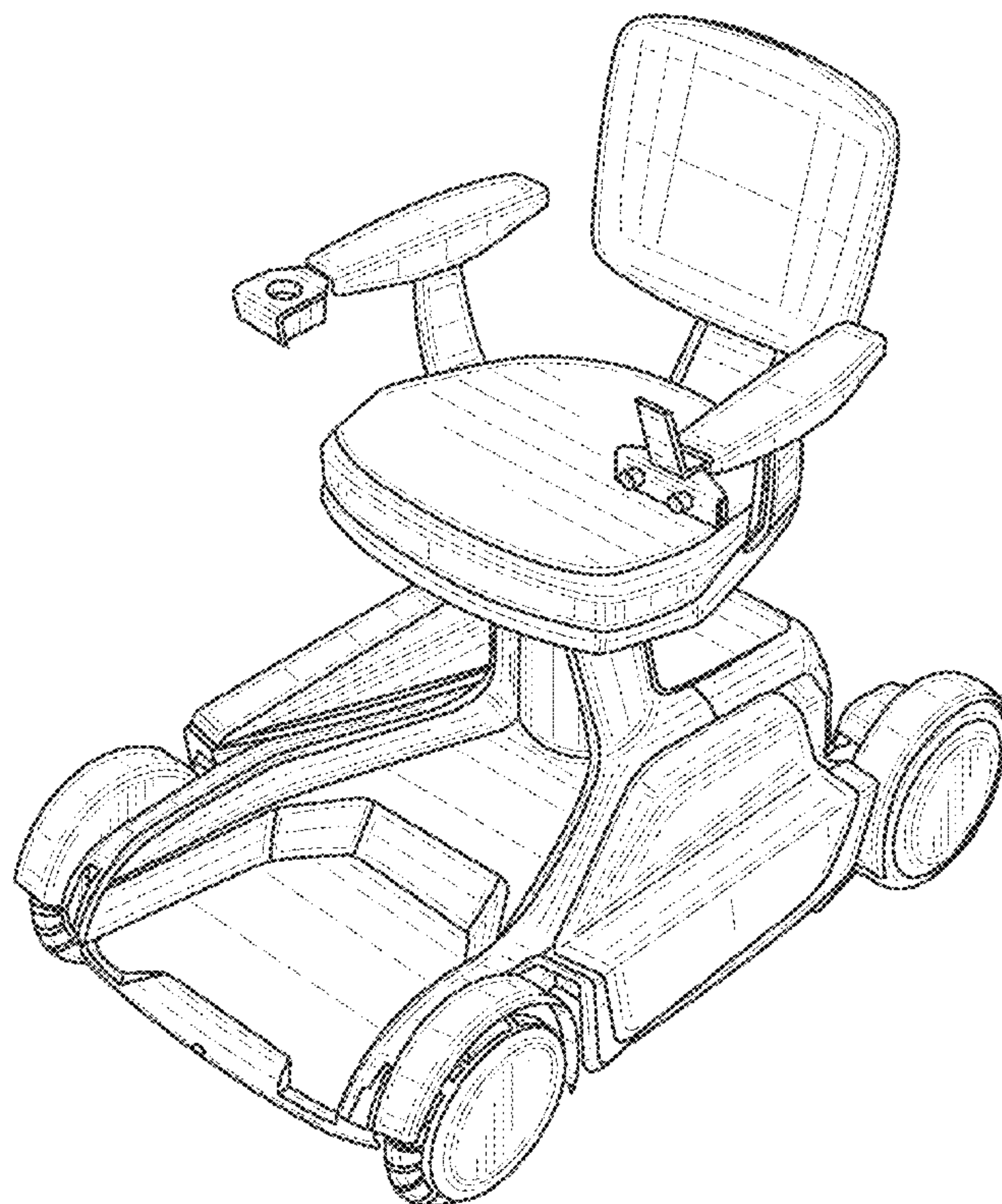
The broken lines depict portions of the electric wheel chair in which the design is embodied that form no part of the claimed design.

(51) **LOC (12) Cl.** **12-12**

(52) **U.S. Cl.**
USPC **D12/131**

(58) **Field of Classification Search**
USPC D12/128–133
CPC A61G 5/00–14; A61G 2005/048
See application file for complete search history.

1 Claim, 7 Drawing Sheets



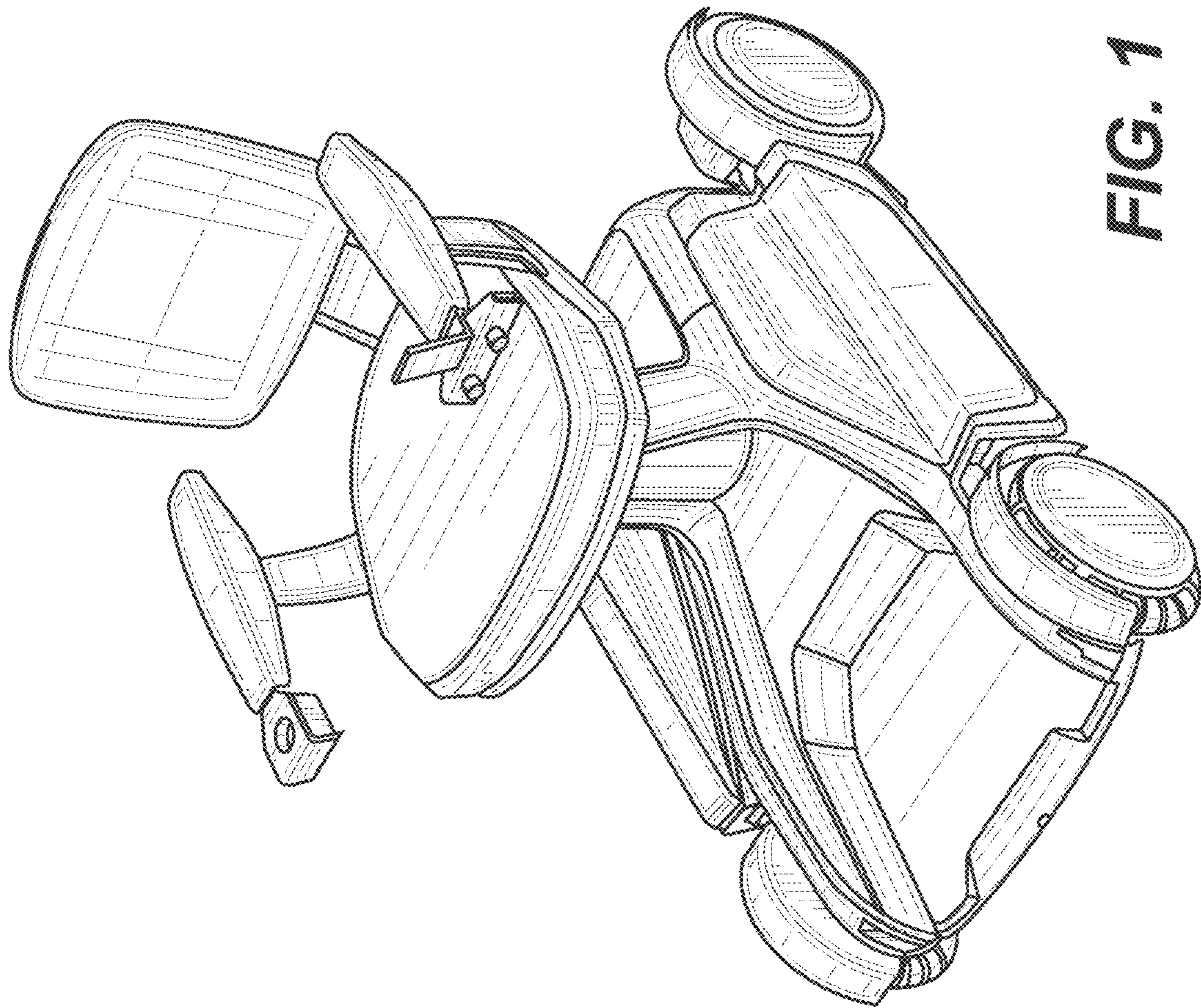


FIG. 1

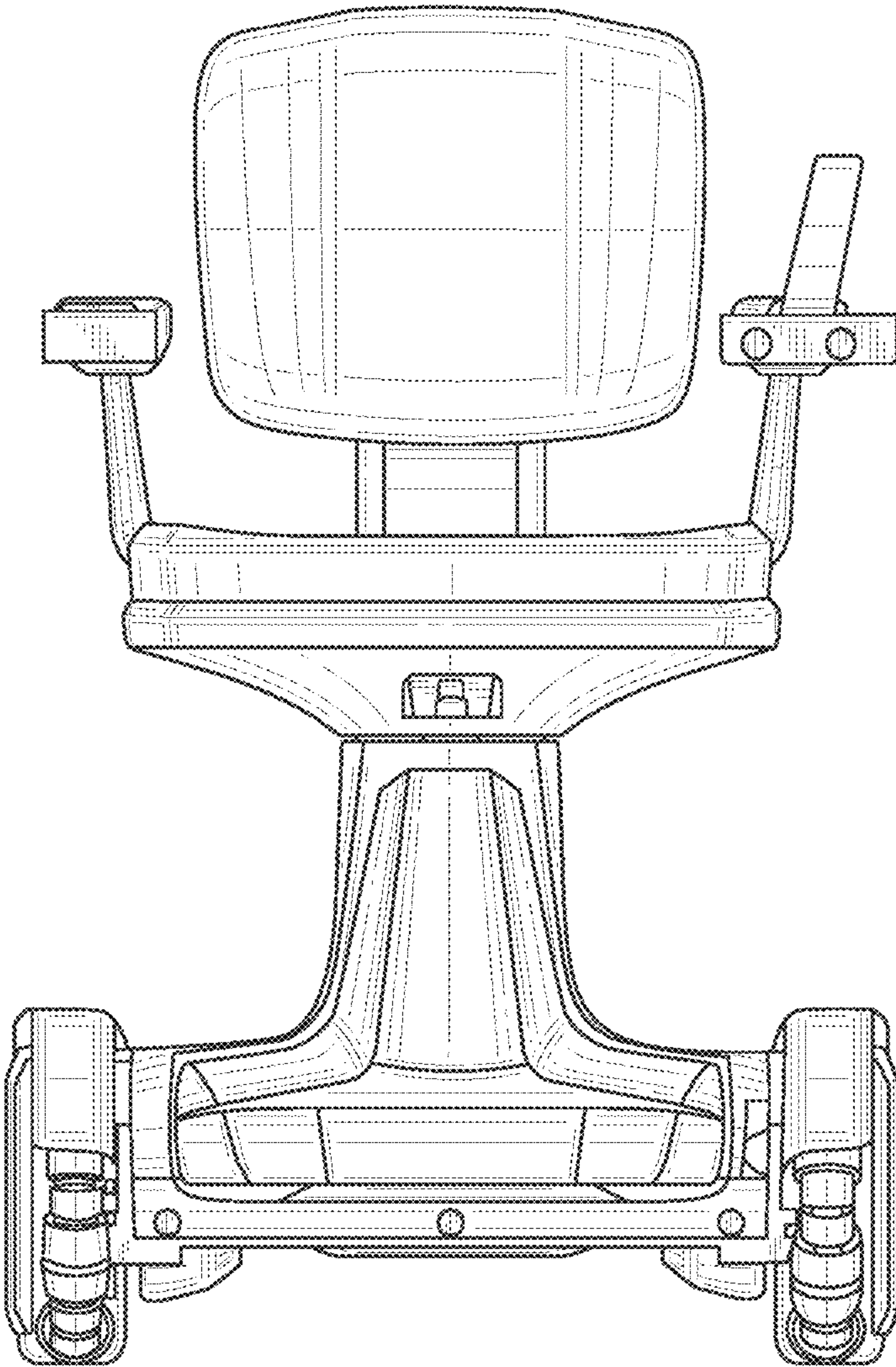


FIG. 2

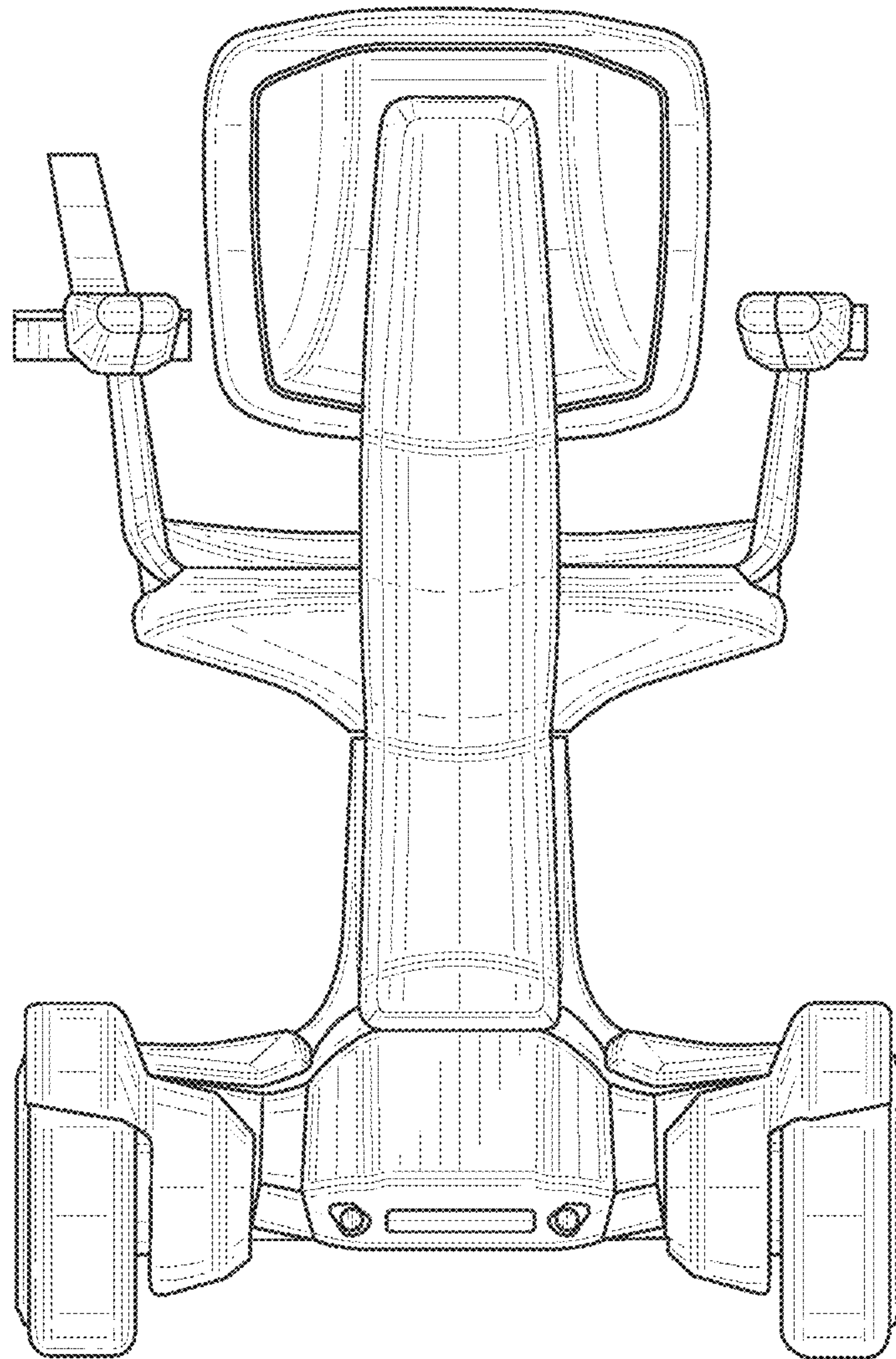


FIG. 3

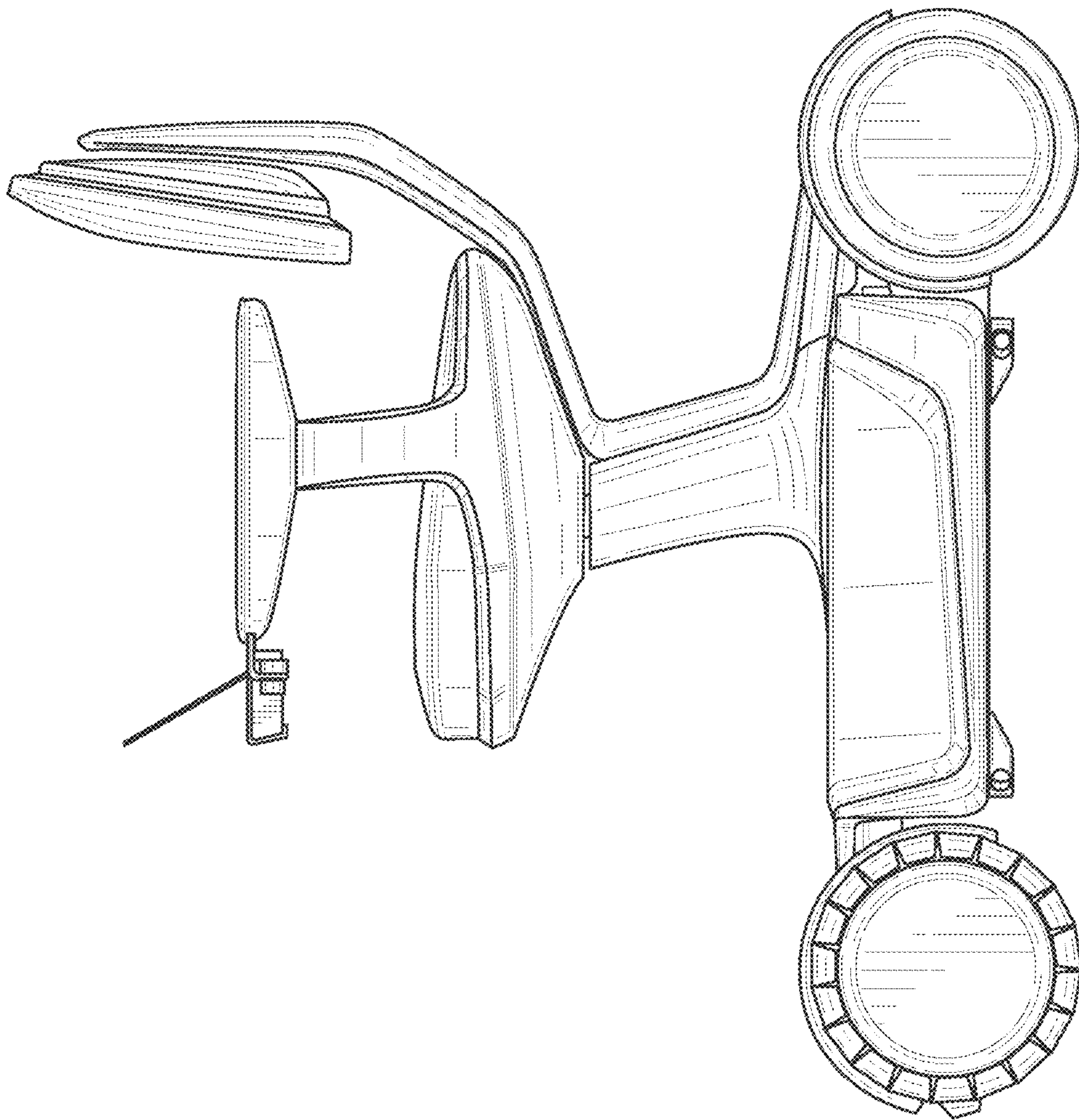


FIG. 4

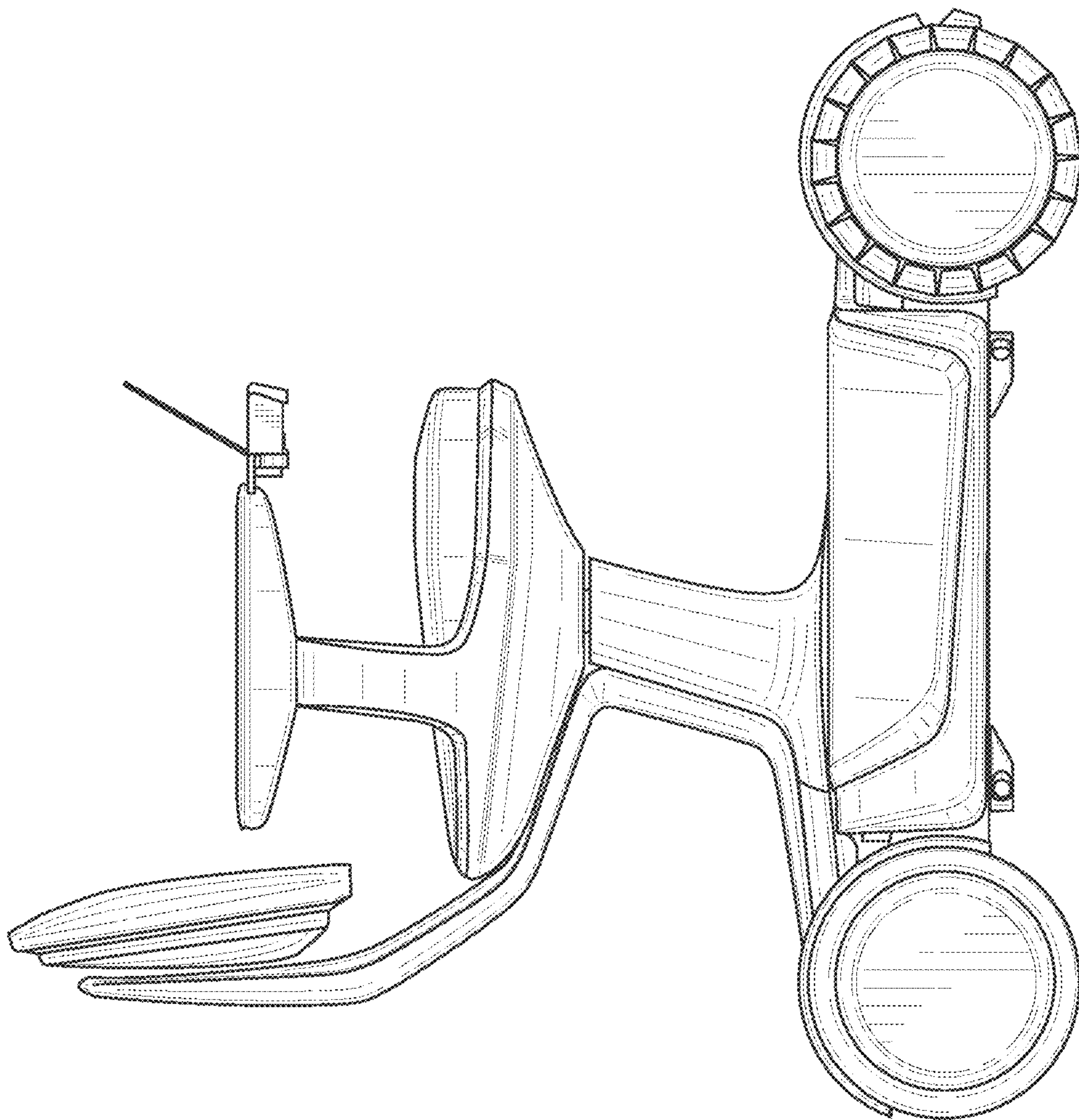


FIG. 5

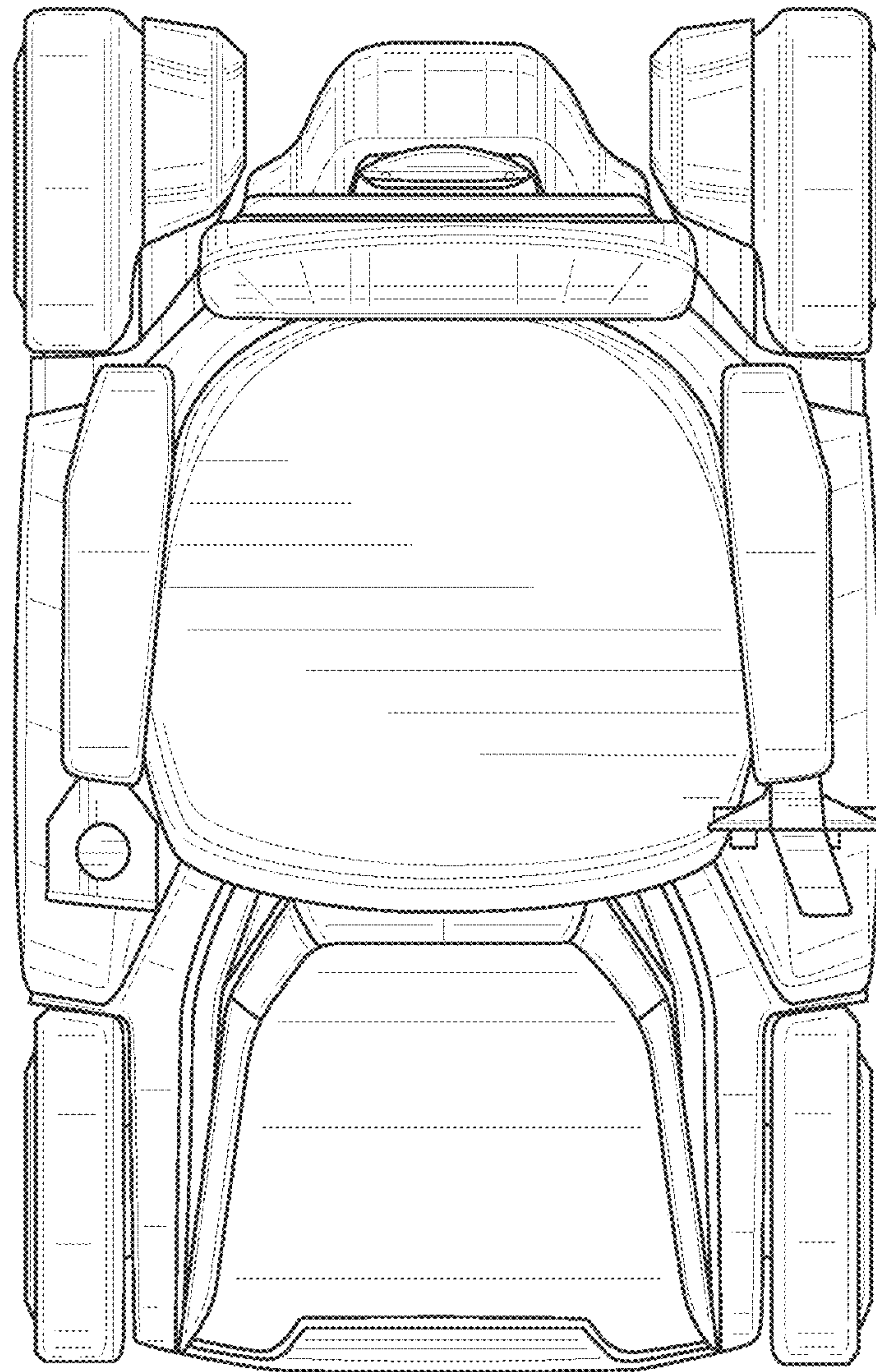


FIG. 6

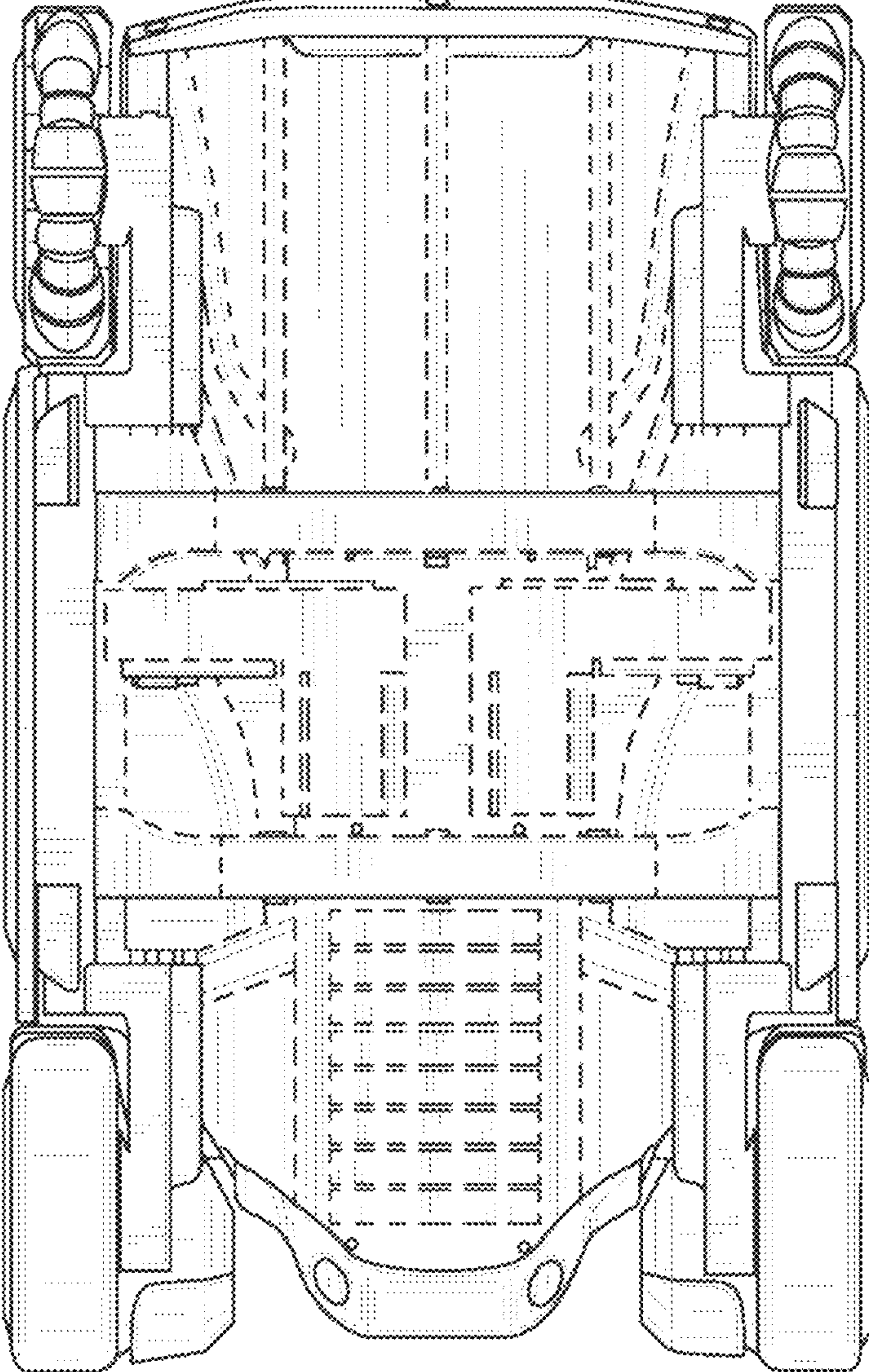


FIG. 7