



US00D883861S

(12) **United States Design Patent**
Mejia

(10) **Patent No.:** **US D883,861 S**

(45) **Date of Patent:** **** May 12, 2020**

- (54) **WALKER**
- (71) Applicant: **Melanie Mejia**, Hollis Hills, NY (US)
- (72) Inventor: **Melanie Mejia**, Hollis Hills, NY (US)
- (**) Term: **15 Years**
- (21) Appl. No.: **29/677,015**
- (22) Filed: **Jan. 16, 2019**
- (51) **LOC (12) Cl.** **12-12**
- (52) **U.S. Cl.**
USPC **D12/130**
- (58) **Field of Classification Search**
USPC D12/128-133
CPC A47D 13/043; A47D 13/107; A47D 13/04;
A47D 13/005; A47D 3/00
See application file for complete search history.

D522,932 S *	6/2006	LeBlanc	D12/130
7,111,856 B1 *	9/2006	Graham	A61H 3/04 135/67
7,422,025 B1	9/2008	Waldstreicher et al.		
7,494,138 B2	2/2009	Graham		
D688,863 S *	9/2013	White	D3/7
9,022,397 B1	5/2015	Prettyman		
D814,363 S *	4/2018	VanAusdall	D12/130
D816,556 S *	5/2018	Parr	D12/130
10,583,065 B1 *	3/2020	Mejia	A61H 3/04
2008/0029138 A1	2/2008	Foote		
2010/0263697 A1	10/2010	Catton		

* cited by examiner

Primary Examiner — Charles D Hanson

(74) *Attorney, Agent, or Firm* — Goldstein Law Offices, P.C.

(57) **CLAIM**

The ornamental design for a walker, as shown and described.

DESCRIPTION

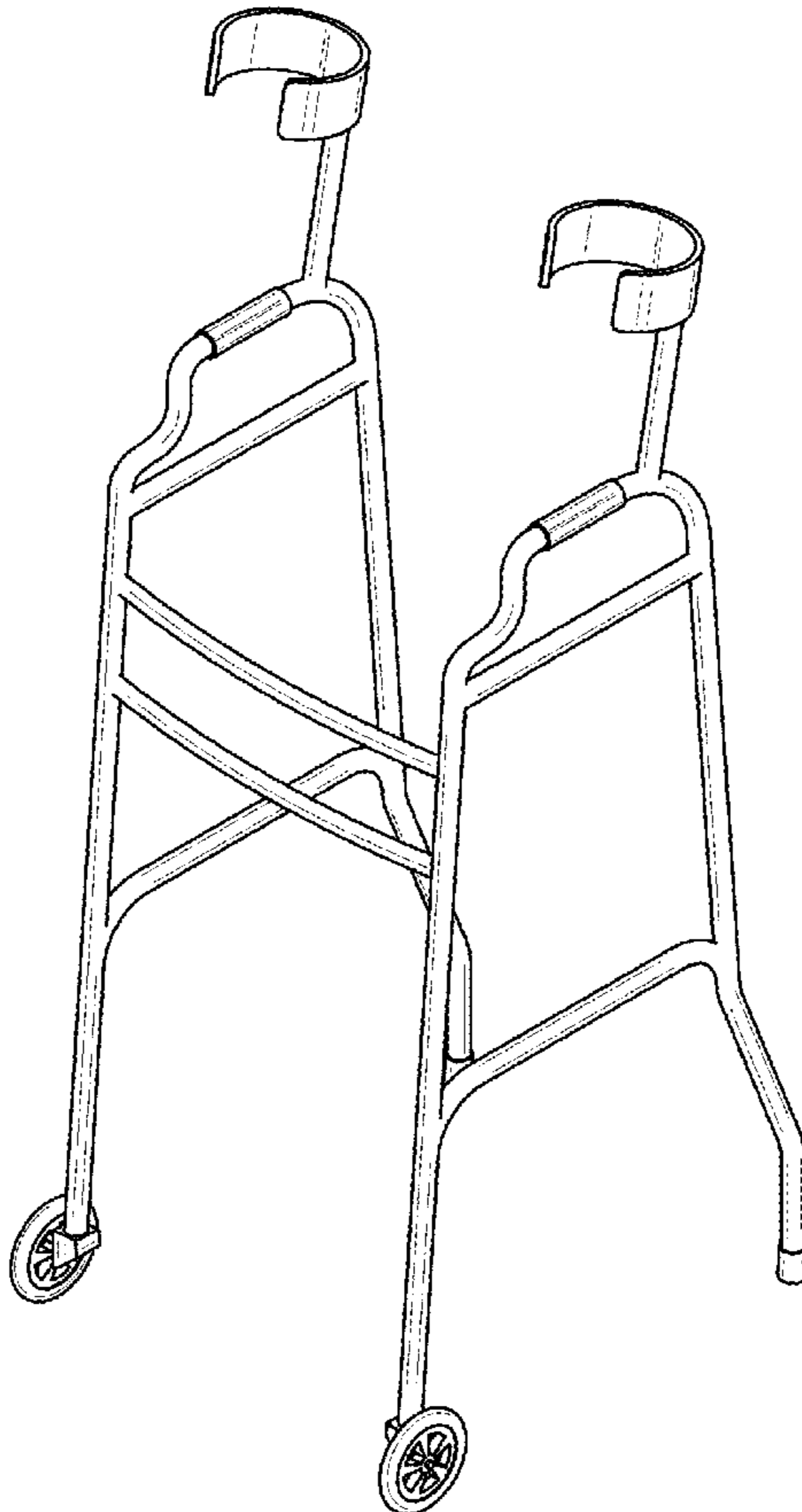
- FIG. 1 is a perspective view of the walker in full lines.
- FIG. 2 is a top plan view of the walker.
- FIG. 3 is a bottom plan view thereof.
- FIG. 4 is a front elevational view thereof.
- FIG. 5 is a rear elevational view thereof.
- FIG. 6 is a left side elevational view thereof; and,
- FIG. 7 is a right side elevational view thereof.

1 Claim, 4 Drawing Sheets

(56) **References Cited**

U.S. PATENT DOCUMENTS

2,811,978 A	11/1957	Russell		
3,550,602 A	12/1970	Hesterman		
3,625,237 A	12/1971	Wertz		
4,248,256 A	2/1981	Thomas		
4,748,994 A *	6/1988	Schultz	A61H 3/04 135/67
D404,345 S *	1/1999	Donets	D12/130
D480,666 S *	10/2003	Owens	D12/130



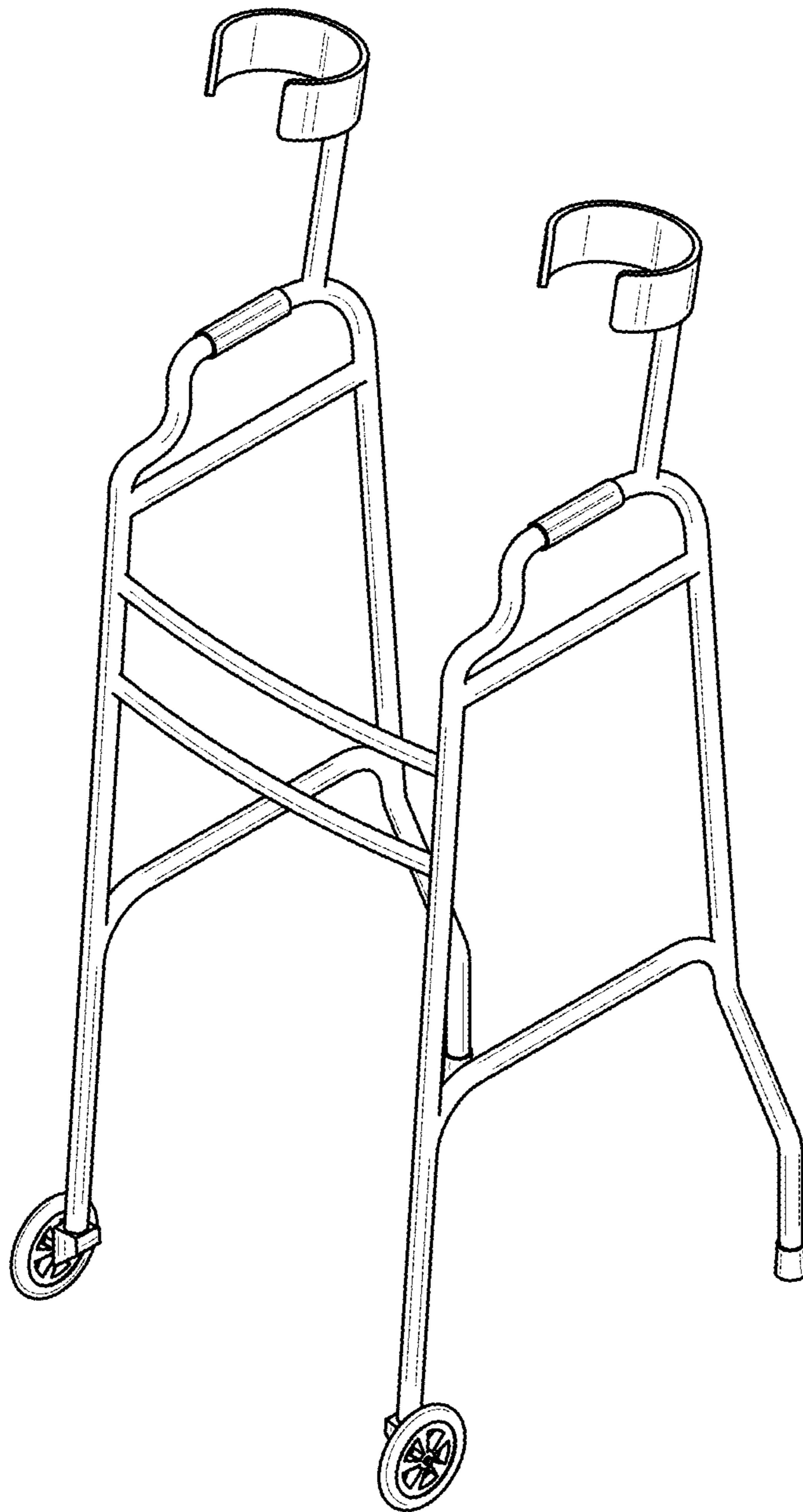


FIG. 1

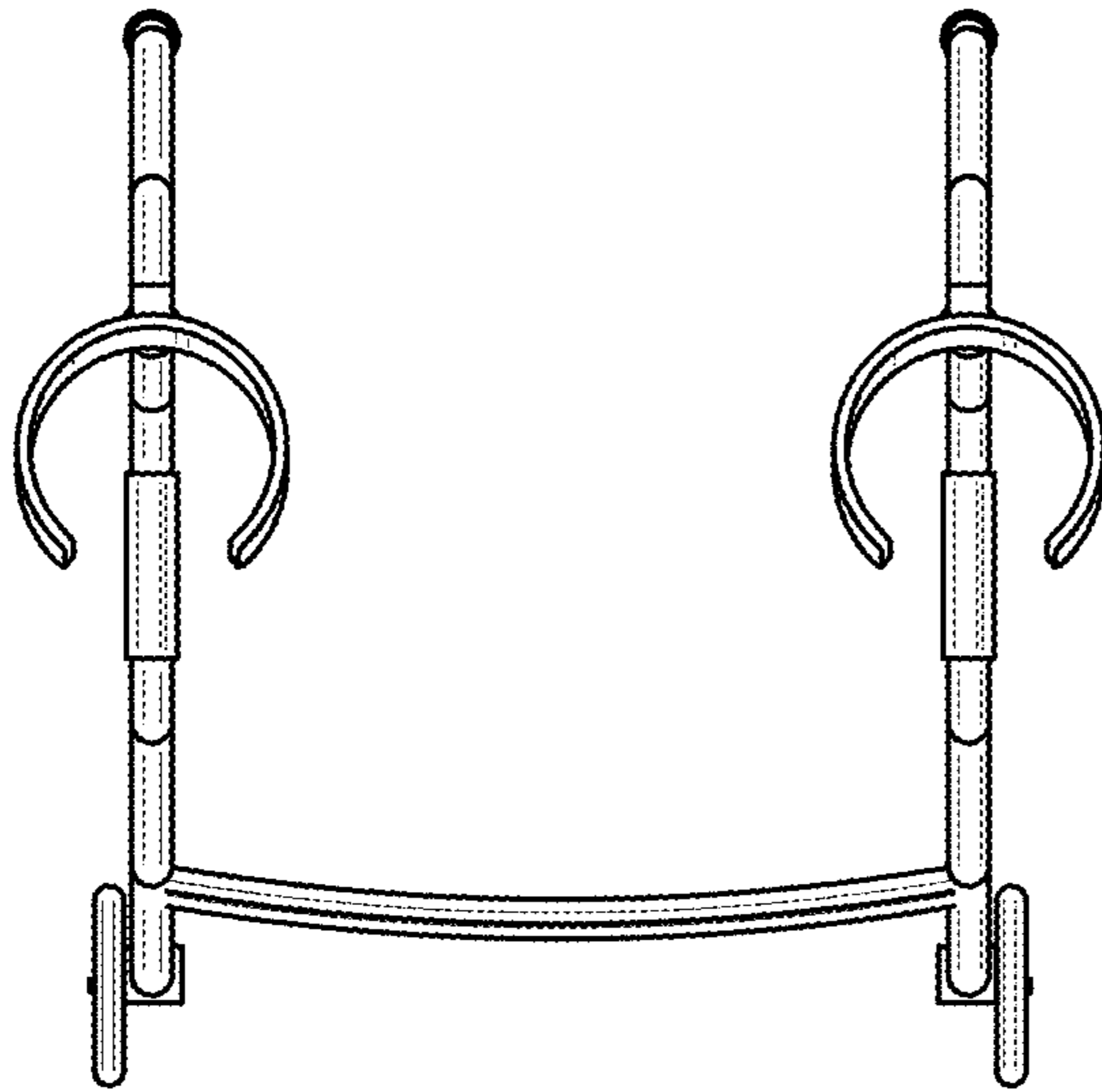


FIG. 2

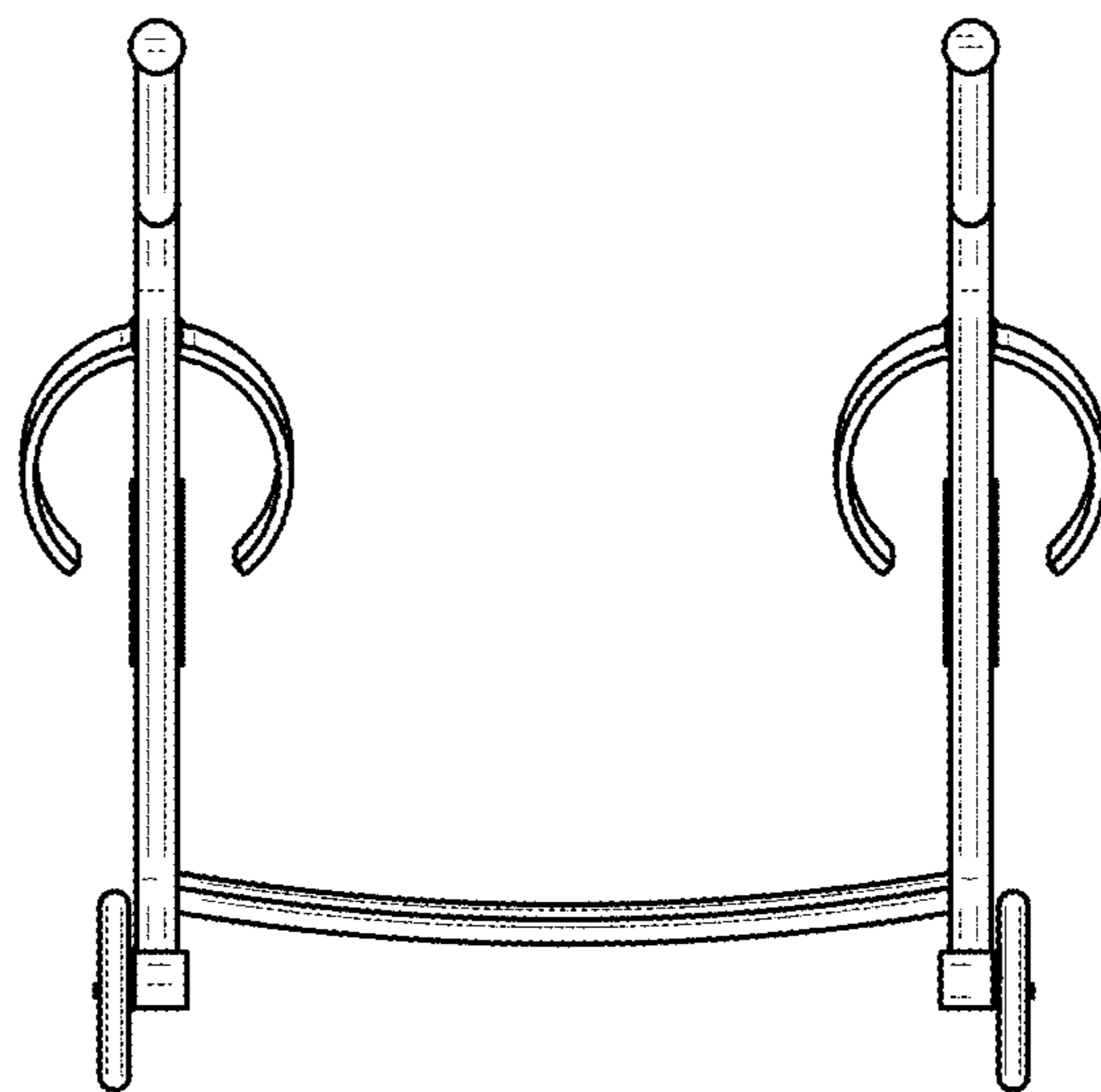


FIG. 3

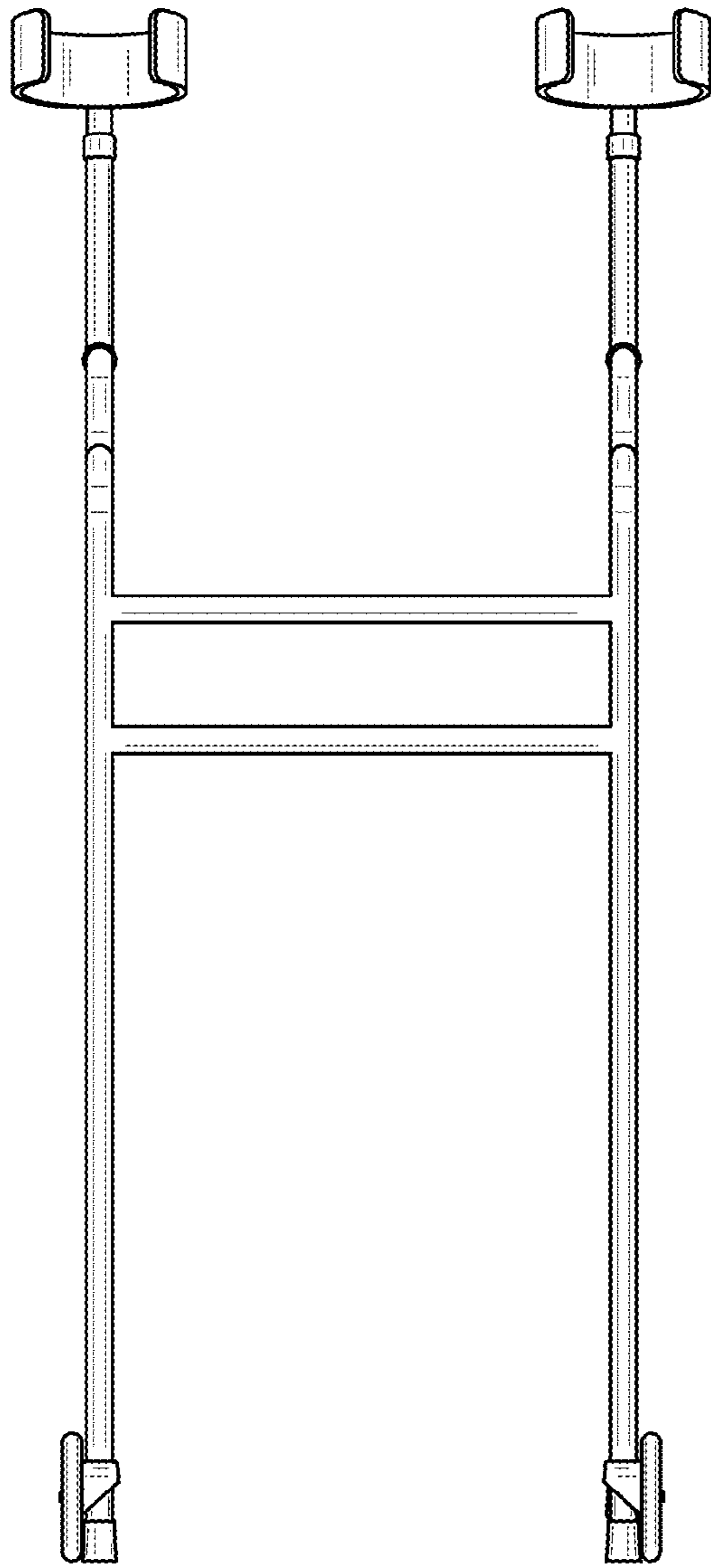


FIG. 4

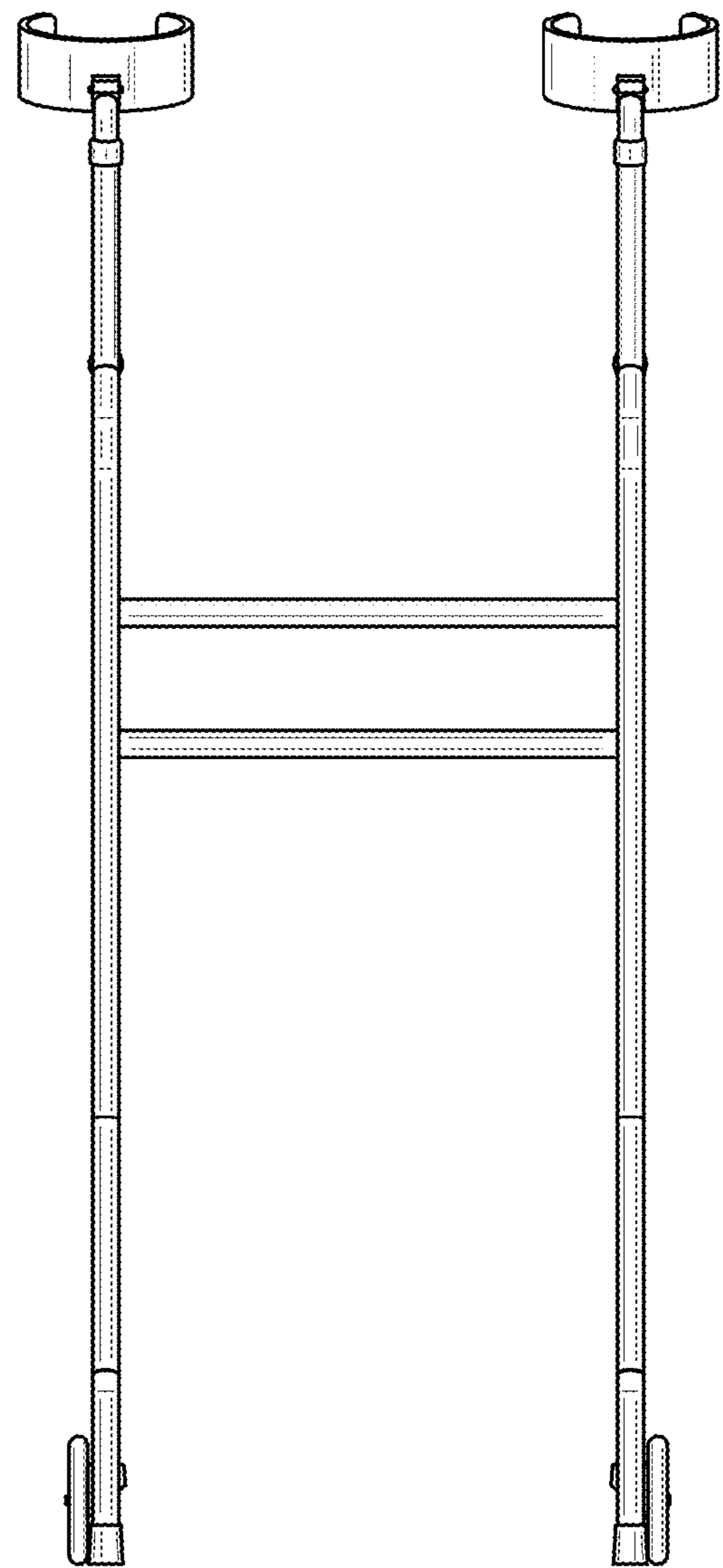


FIG. 5

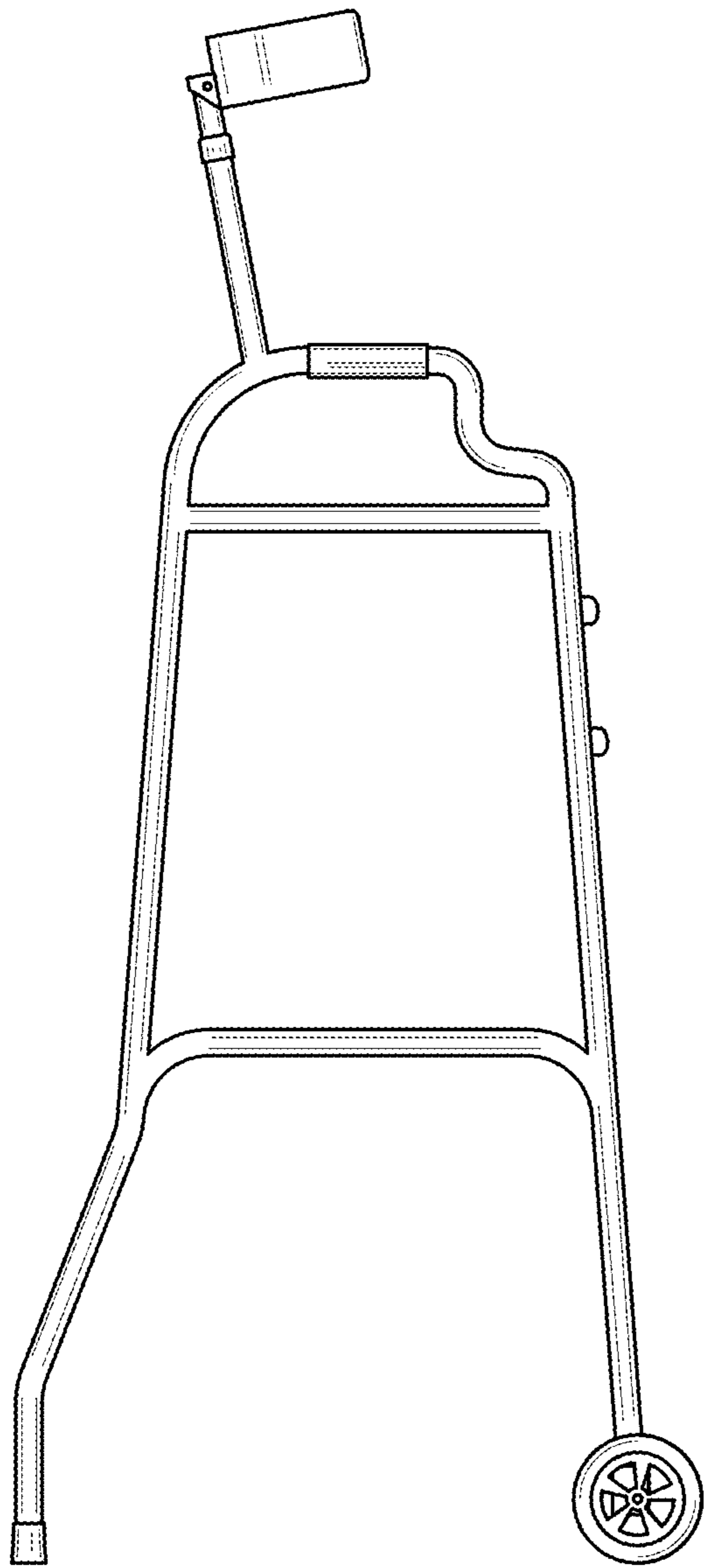


FIG. 6

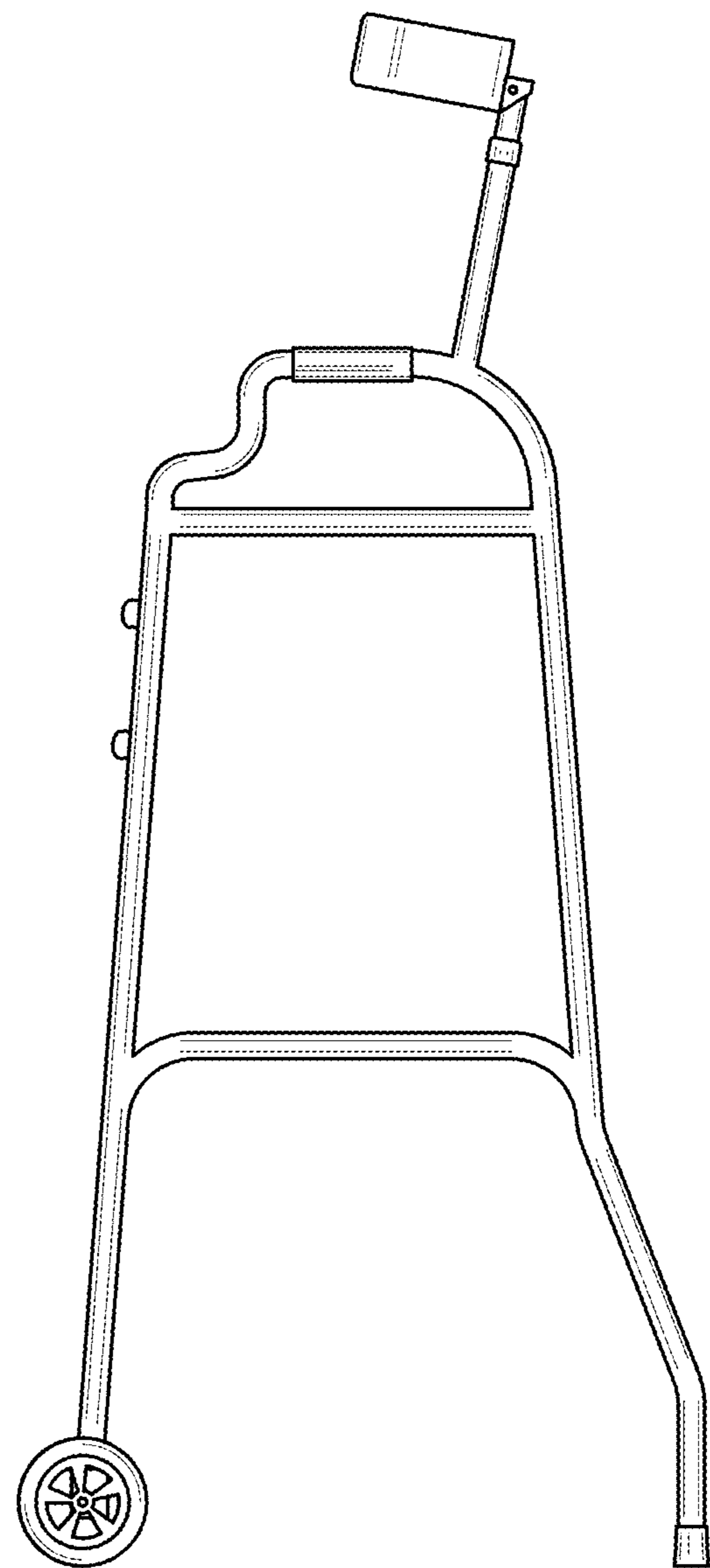


FIG. 7