



US00D883860S

(12) **United States Design Patent**
Barenbrug

(10) **Patent No.:** **US D883,860 S**

(45) **Date of Patent:** **** May 12, 2020**

(54) **STROLLER**

(71) Applicant: **Royalty Bugaboo GmbH**, Zug (CH)

(72) Inventor: **Max Barenbrug**, Amsterdam (NL)

(73) Assignee: **ROYALTY BUGABOO GMBH**, Zug (CH)

(**) Term: **15 Years**

(21) Appl. No.: **29/598,316**

(22) Filed: **Mar. 24, 2017**

(51) **LOC (12) Cl.** **12-12**

(52) **U.S. Cl.**
USPC **D12/129**

(58) **Field of Classification Search**
USPC D12/128-133
CPC B62B 7/00-04; B62B 9/00-28
See application file for complete search history.

(56) **References Cited**

U.S. PATENT DOCUMENTS

D375,707 S *	11/1996	Yang	D12/129
D519,422 S *	4/2006	Huang	D12/129
7,267,359 B1 *	9/2007	Yang	B62B 7/08 280/47.34
7,364,171 B2 *	4/2008	Hu	B60B 1/006 280/47.38
D578,044 S *	10/2008	Chen	D12/129
D596,996 S *	7/2009	Yang	D12/129
D621,306 S *	8/2010	Liao	D12/129
D643,343 S *	8/2011	Song	D12/129
D661,624 S *	6/2012	Stopp	D12/129
D672,692 S *	12/2012	Jane Santamaria	D12/129
D677,605 S *	3/2013	Ide	D12/129
2003/0111825 A1 *	6/2003	Lo	B62B 7/145 280/642
2005/0098982 A1 *	5/2005	Huang	B62B 7/08 280/642

* cited by examiner

Primary Examiner — Charles D Hanson

(74) *Attorney, Agent, or Firm* — Fross Zelnick Lehrman & Zissu, P.C.; Charles T. J. Weigell, Esq.

(57) **CLAIM**

The ornamental design for a stroller, as shown and described.

DESCRIPTION

FIG. 1 is a front perspective view of a stroller with carrycot showing my new design;
 FIG. 2 is a back perspective view thereof;
 FIG. 3 is a front view thereof;
 FIG. 4 is a back view thereof;
 FIG. 5 is a right side view thereof;
 FIG. 6 is a left side view thereof;
 FIG. 7 is a top view thereof;
 FIG. 8 is a bottom view thereof;
 FIG. 9 is a front perspective view of the stroller with seat;
 FIG. 10 is a front view thereof;
 FIG. 11 is a back view thereof;
 FIG. 12 is a right side view thereof;
 FIG. 13 is a left side view thereof;
 FIG. 14 is a top view thereof;
 FIG. 15 is a bottom view thereof;
 FIG. 16 is a front perspective view of the stroller in a folded position, shown with cover attached;
 FIG. 17 is a front view thereof;
 FIG. 18 is a back view thereof;
 FIG. 19 is a right side view thereof;
 FIG. 20 is a left side view thereof;
 FIG. 21 is a top view thereof;
 FIG. 22 is a bottom view thereof; and,
 FIG. 23 is a front perspective view of the stroller in a folded position, shown with cover removed.

1 Claim, 23 Drawing Sheets

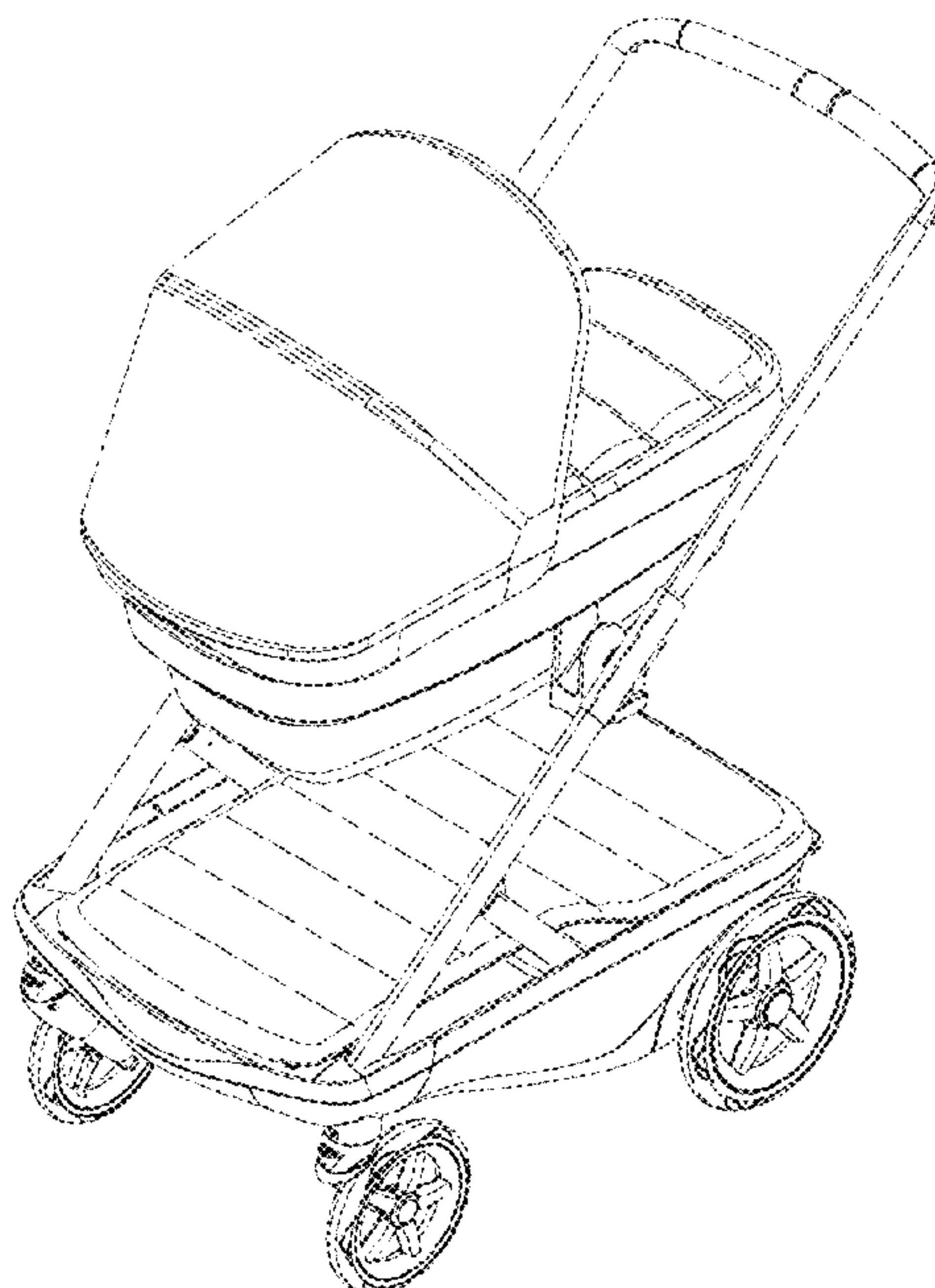




FIG. 1

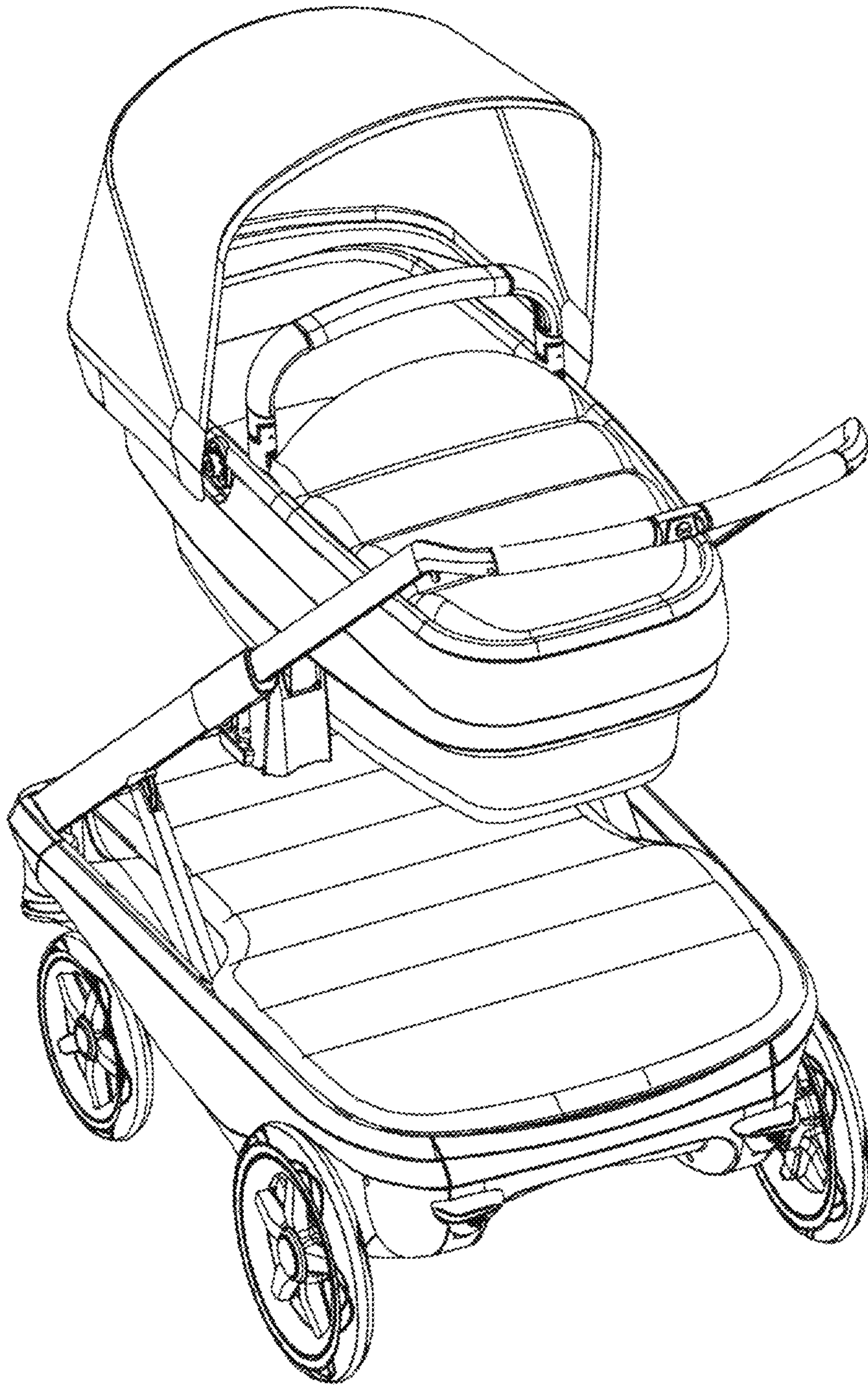


FIG. 2

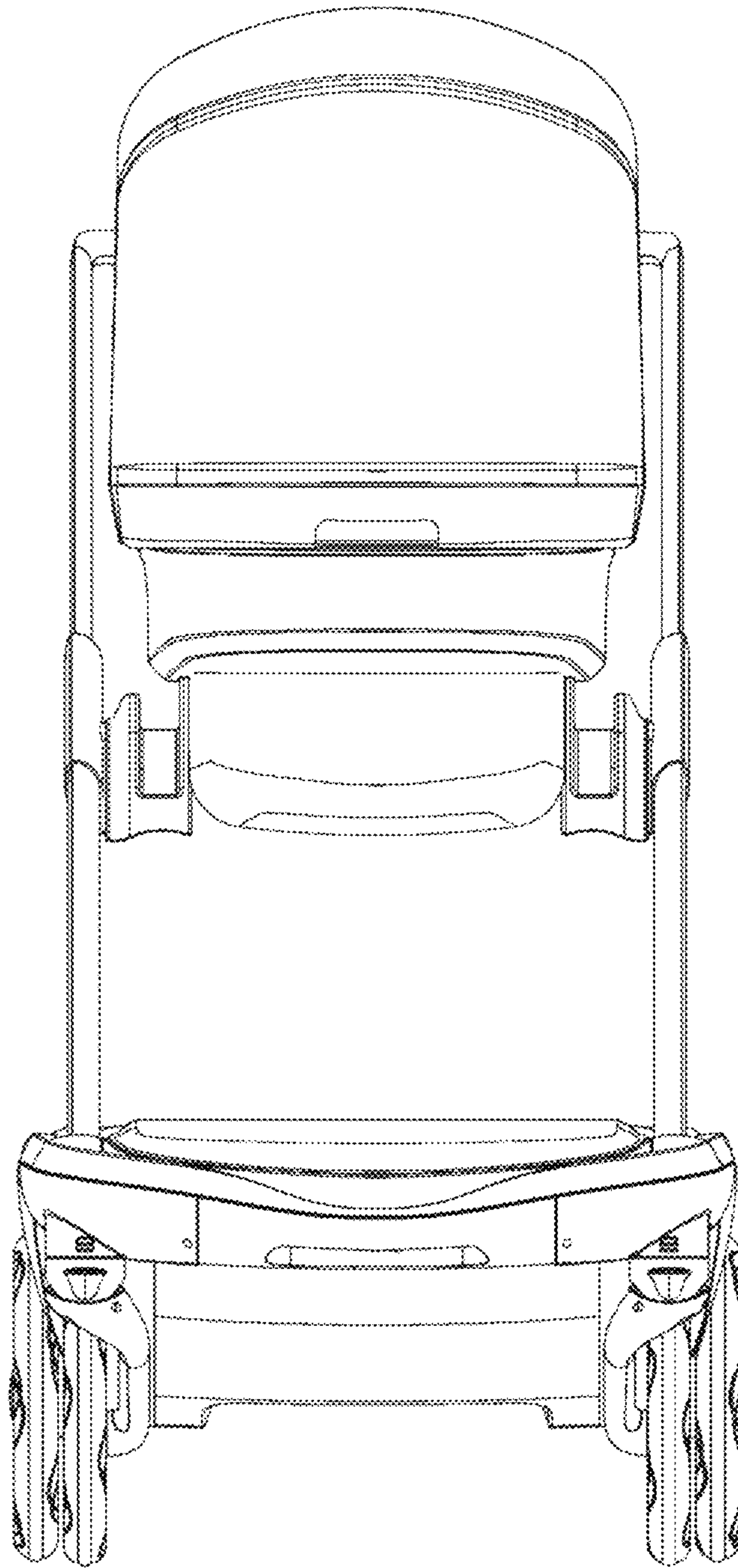


FIG. 3

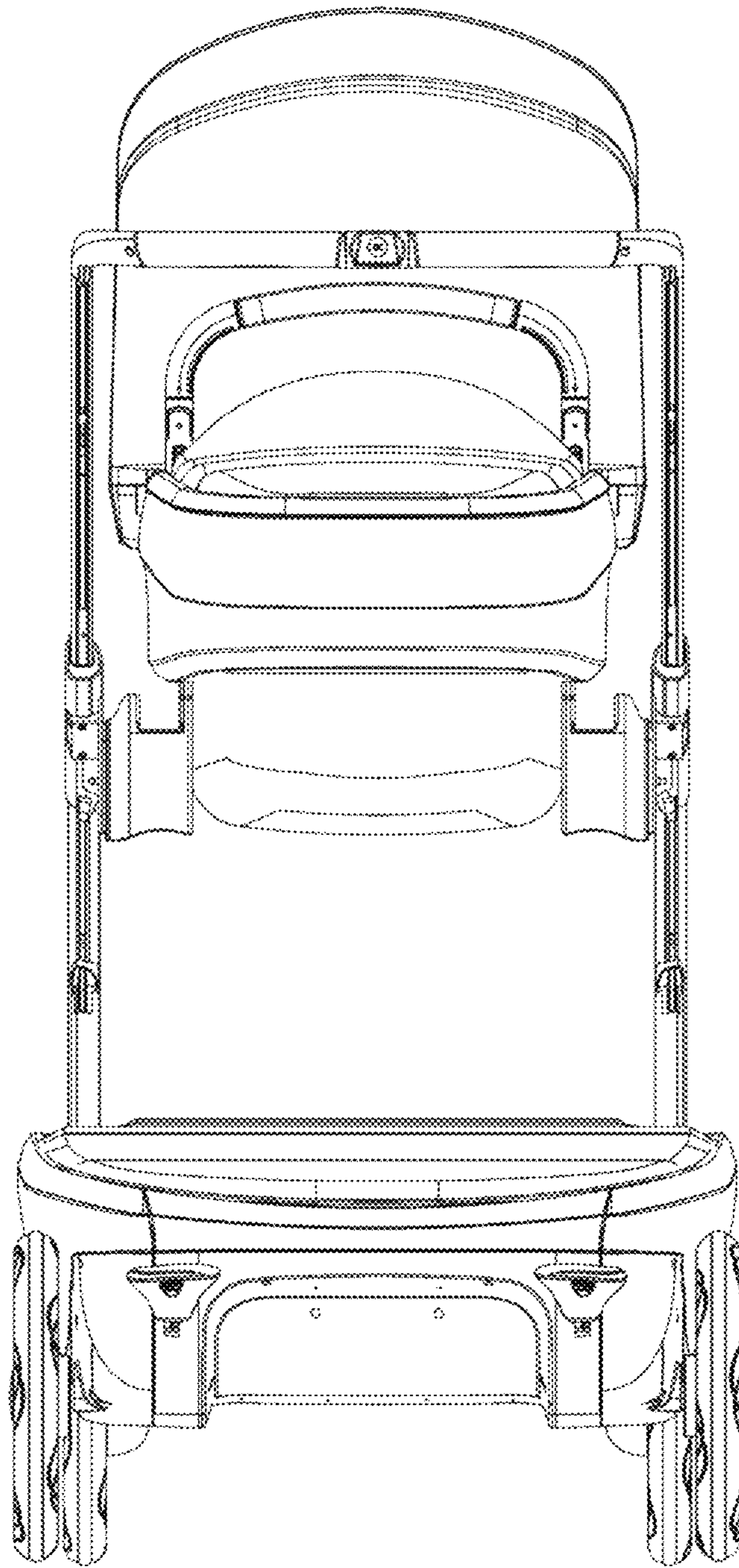


FIG. 4

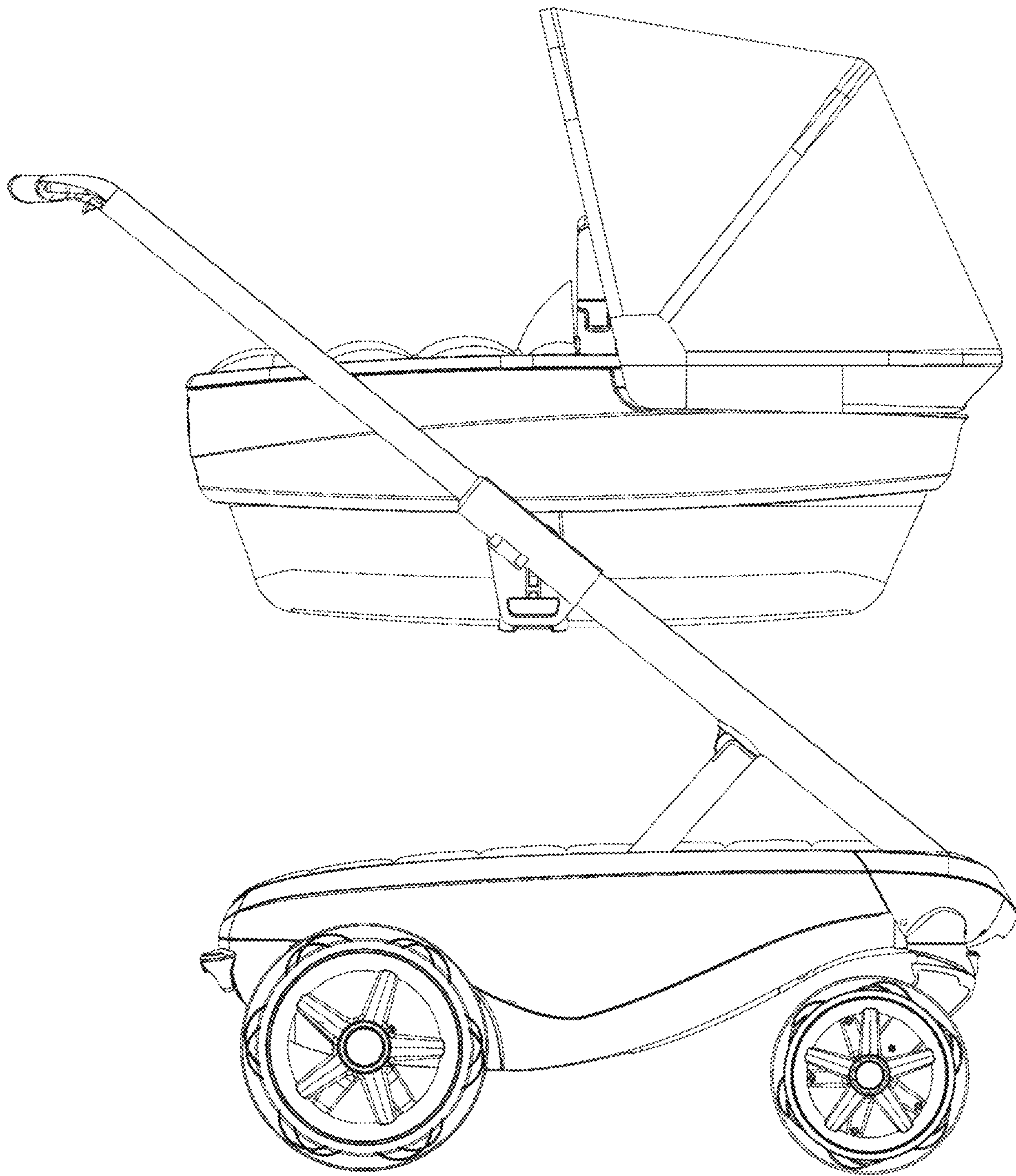


FIG. 5

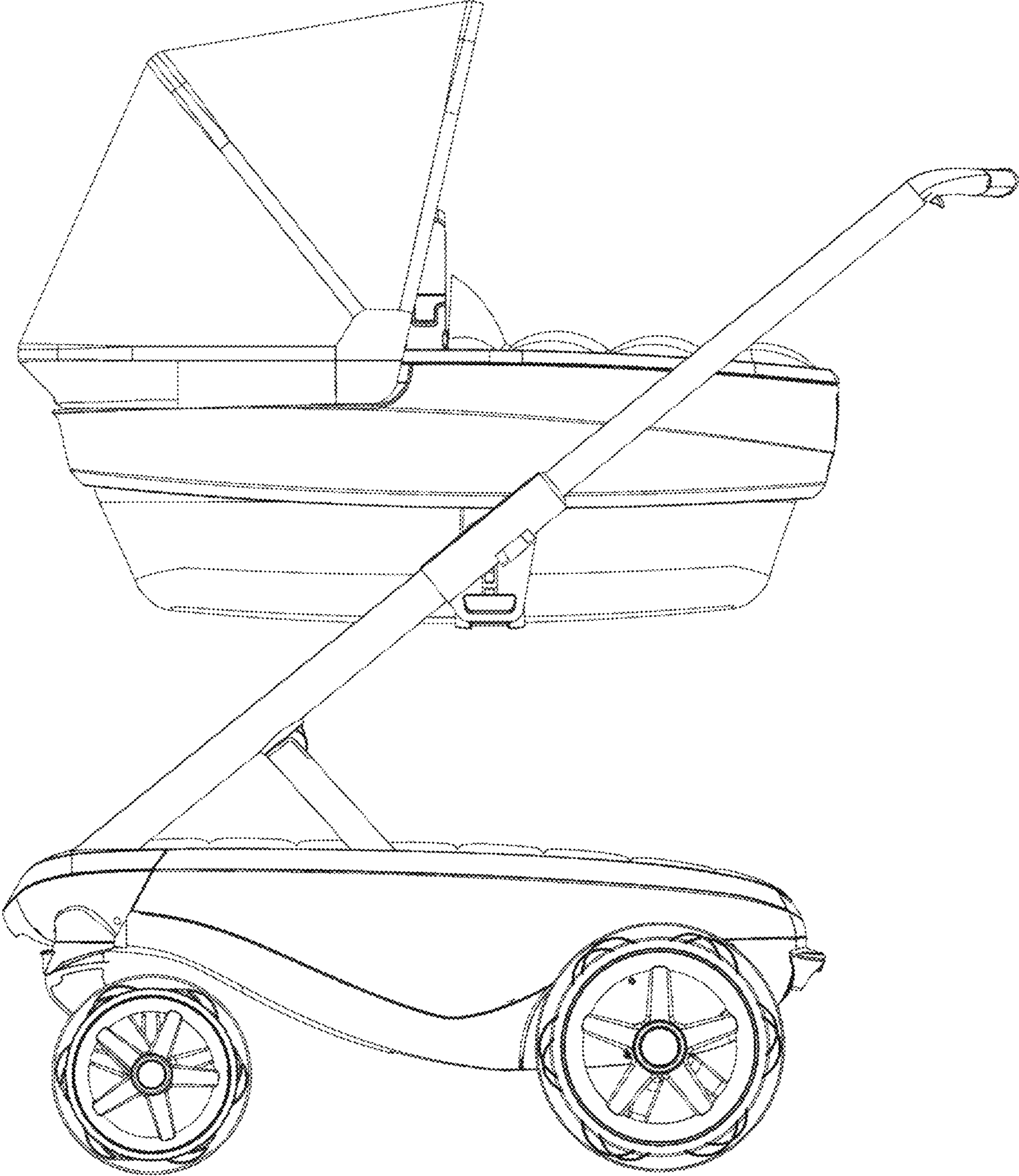


FIG. 6

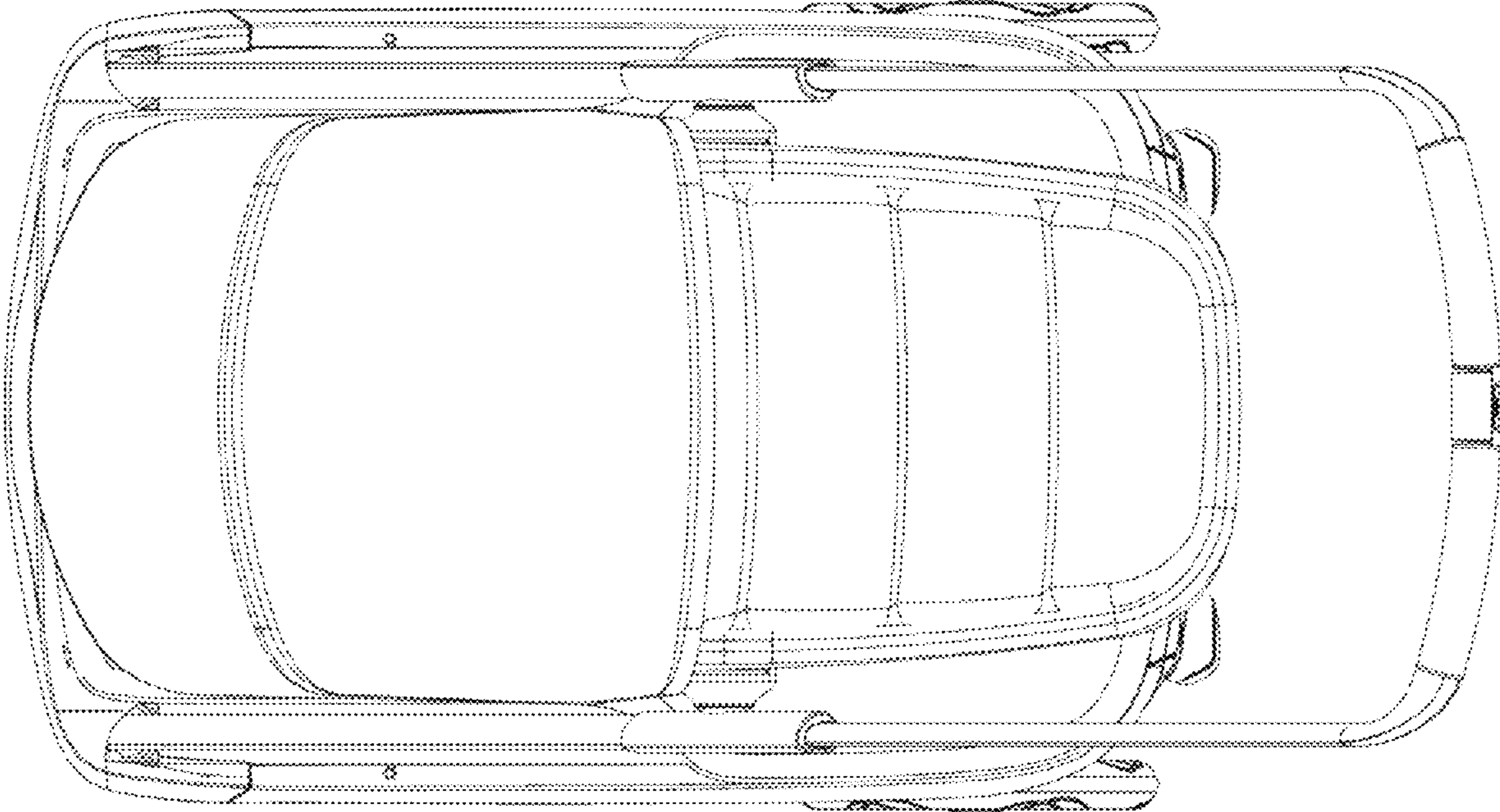


FIG. 7

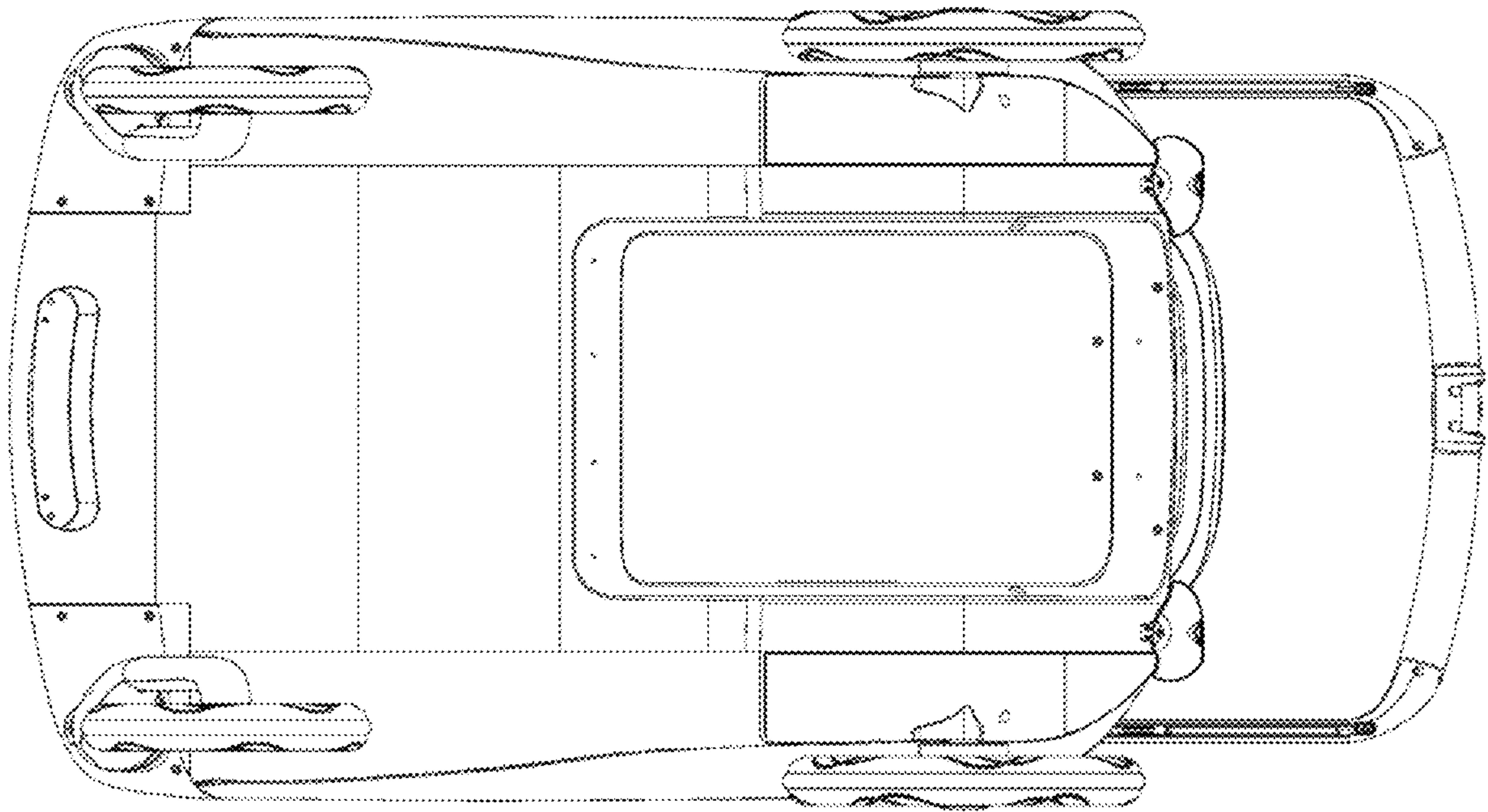


FIG. 8



FIG. 9

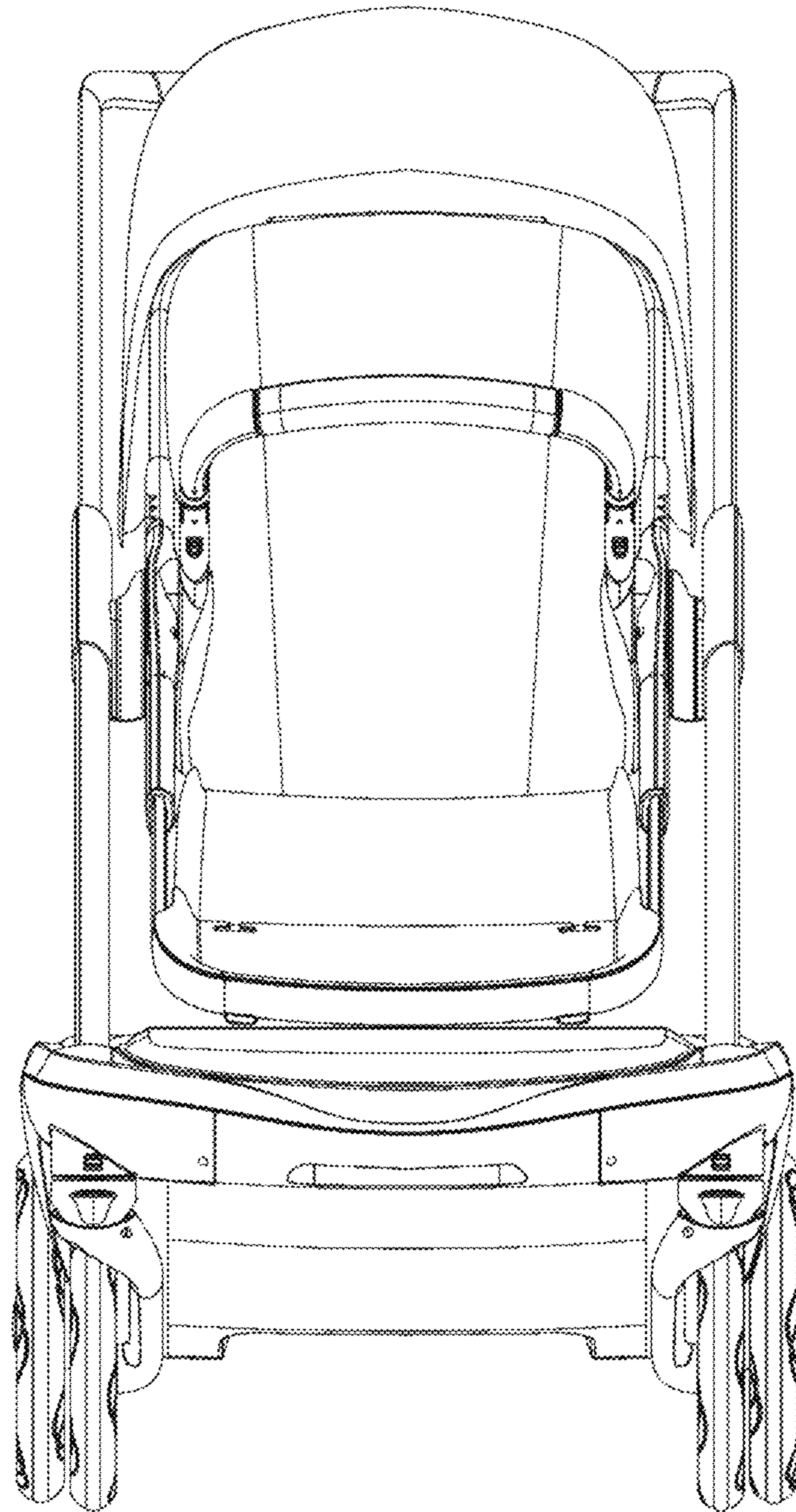


FIG. 10

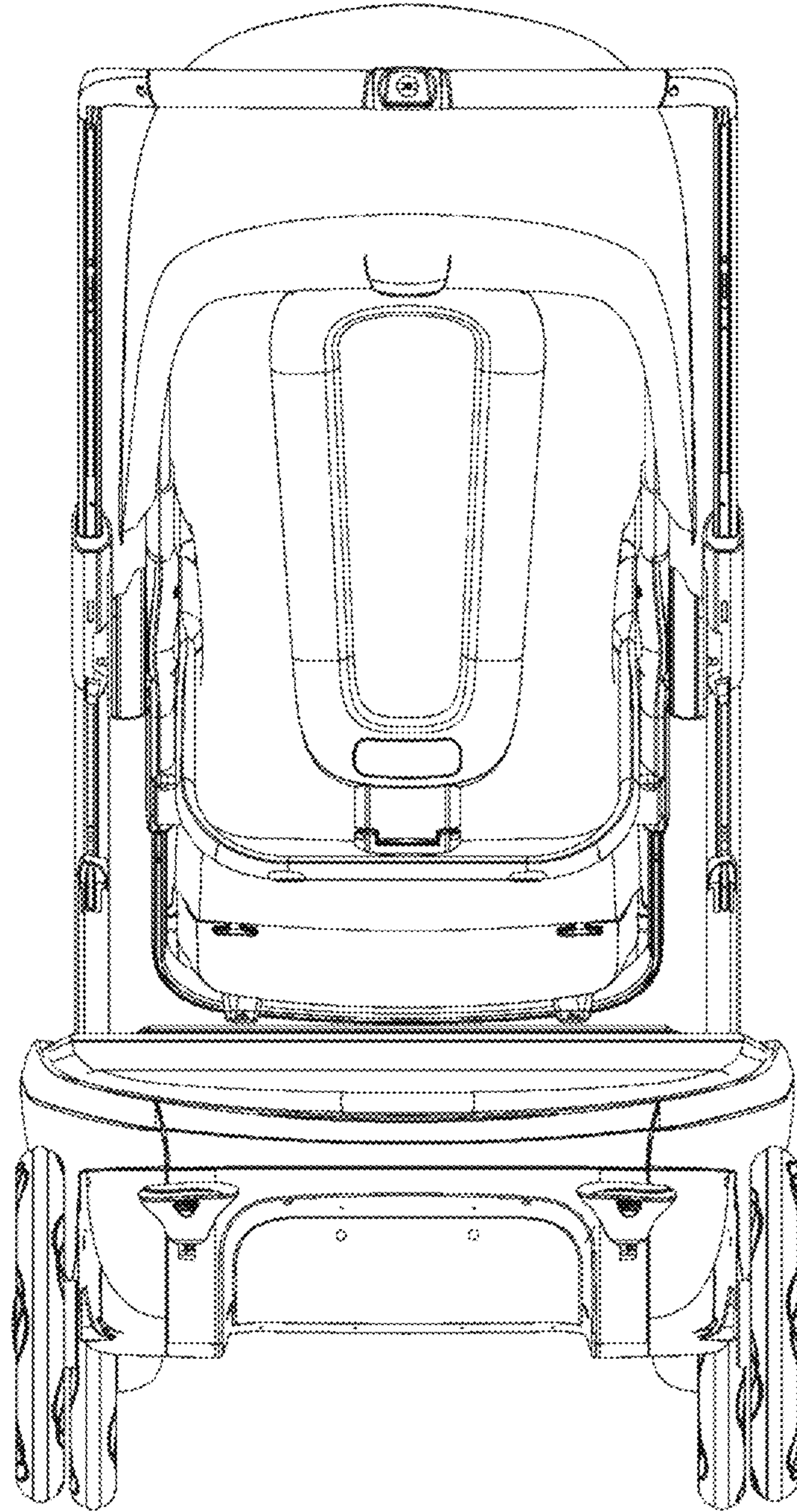


FIG. 11

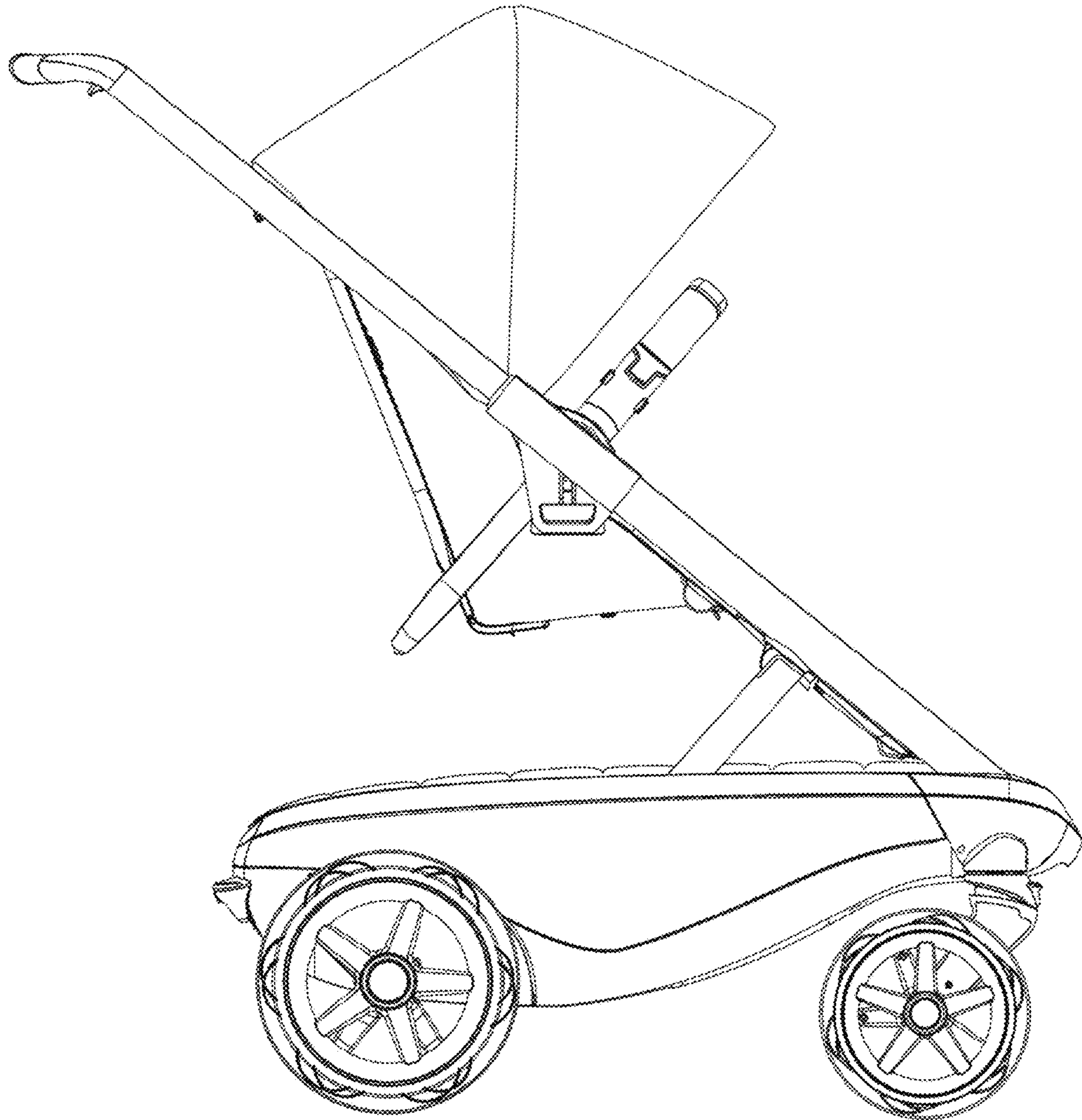


FIG. 12

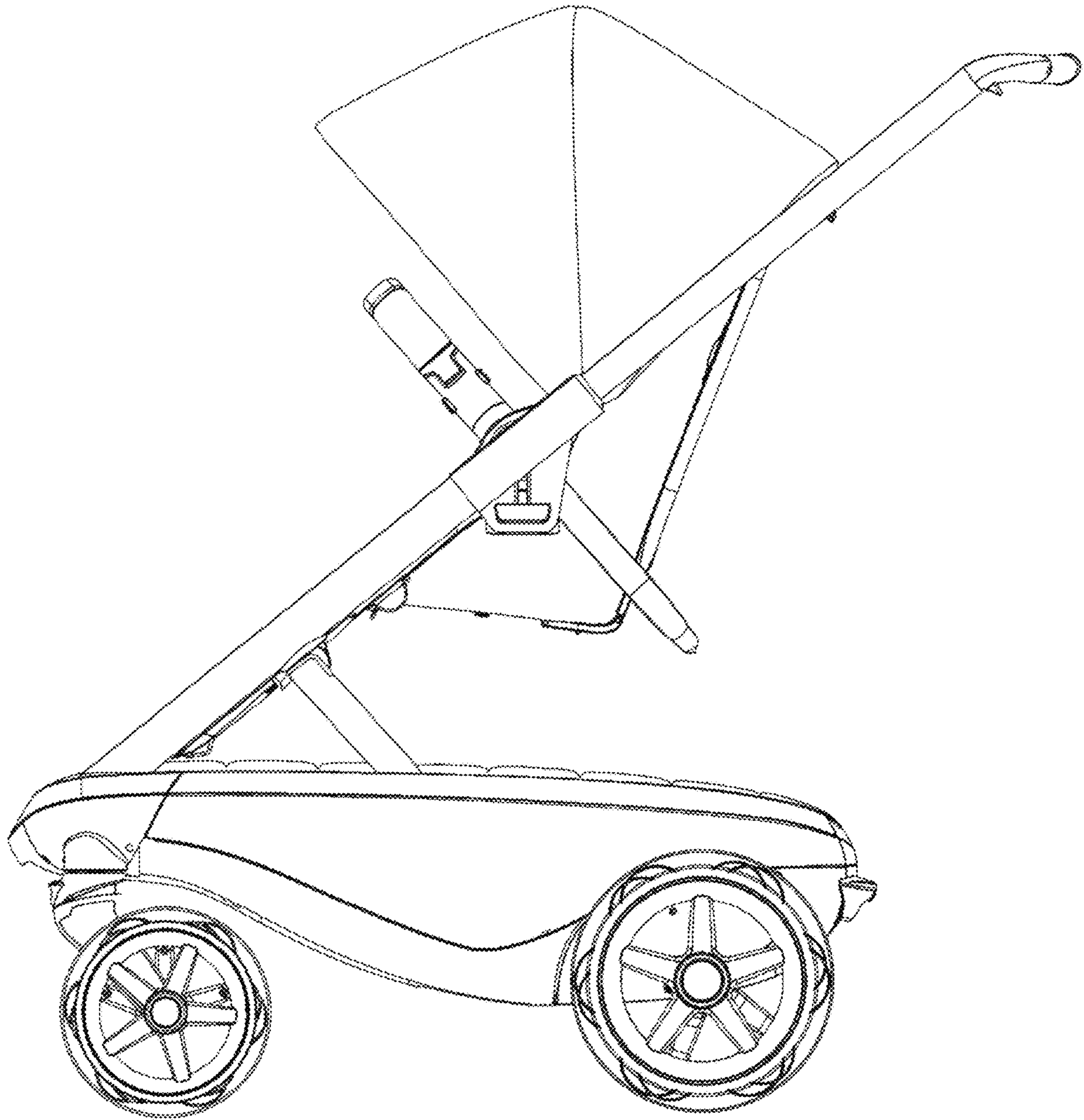


FIG. 13

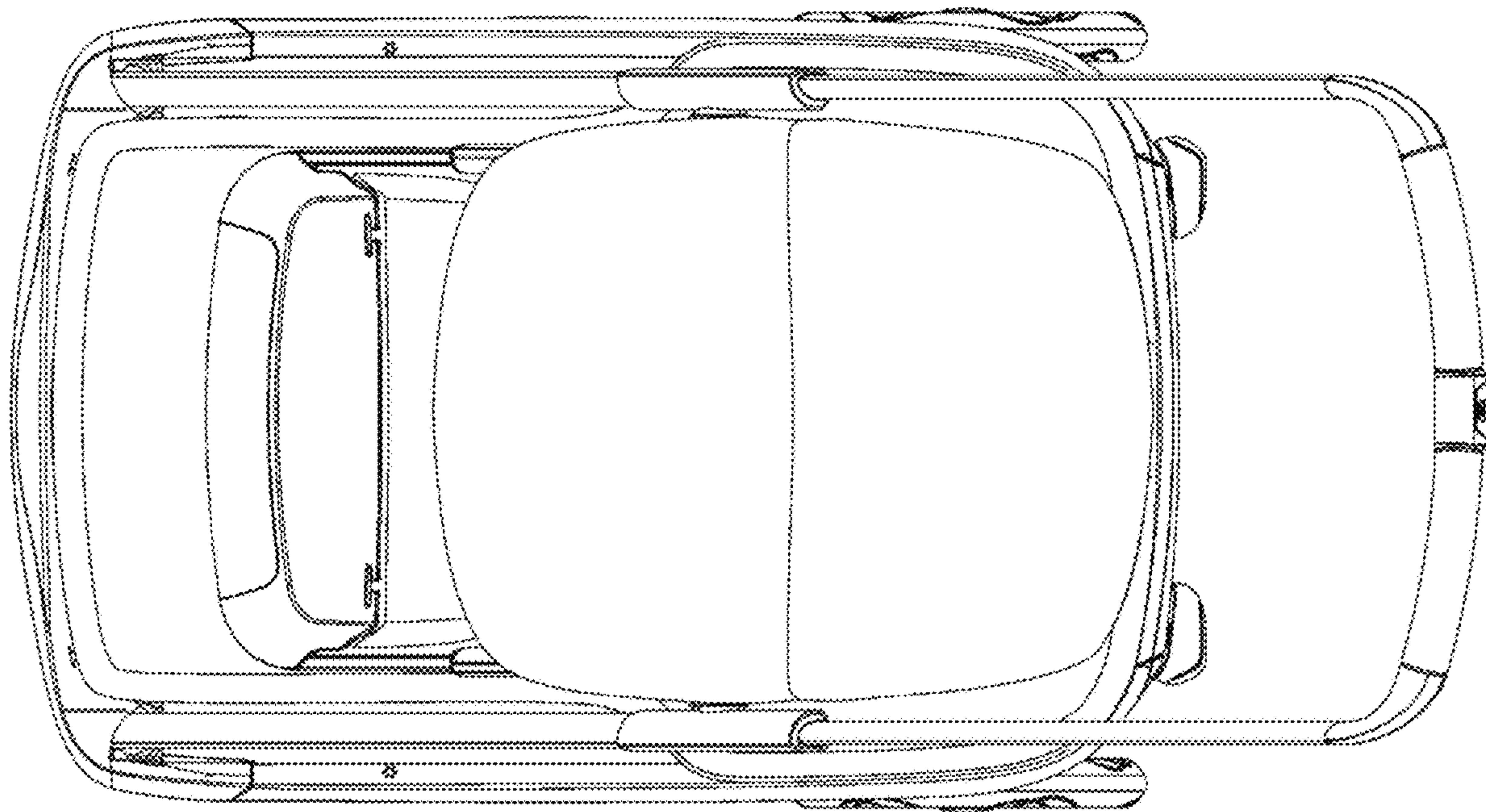


FIG. 14

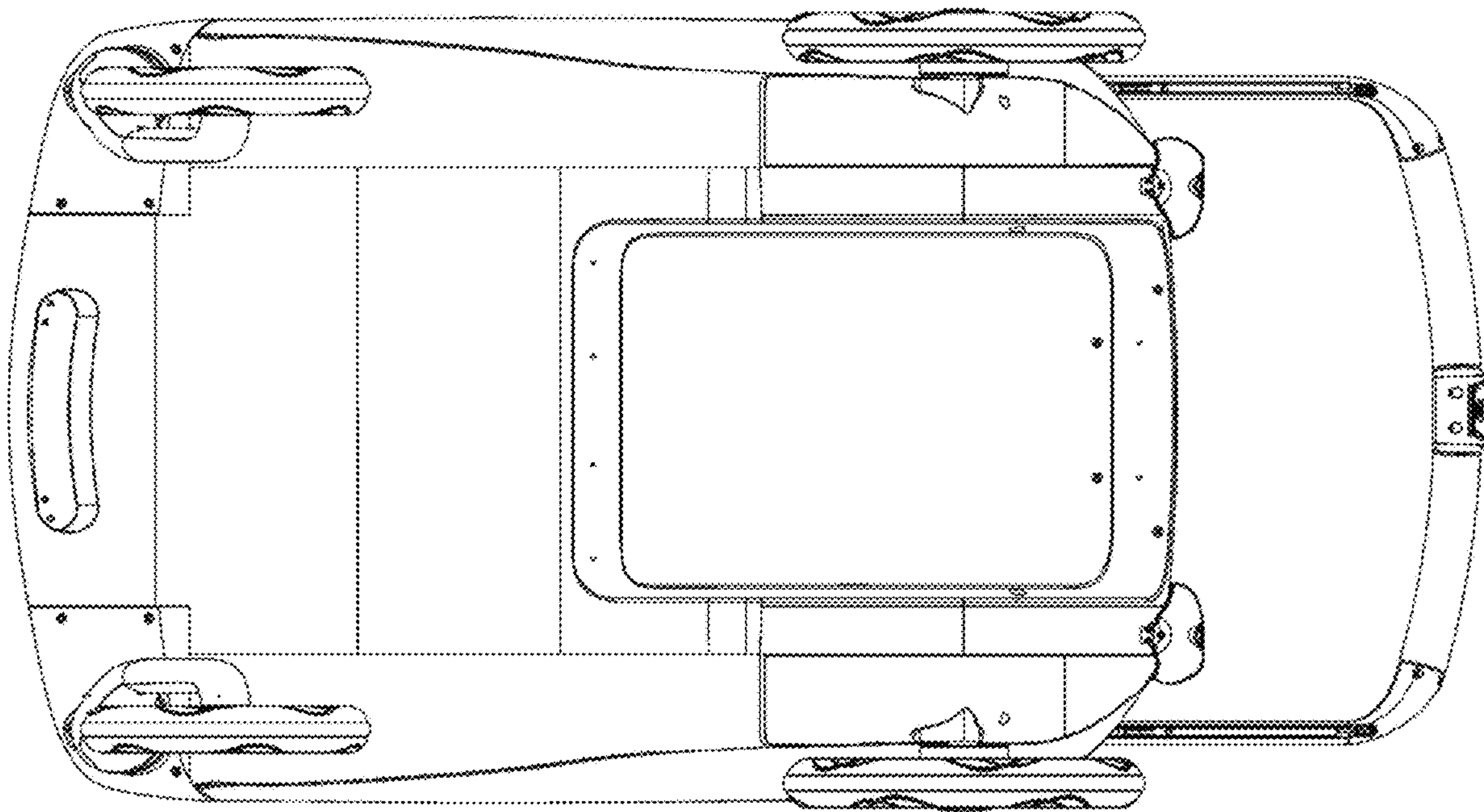


FIG. 15

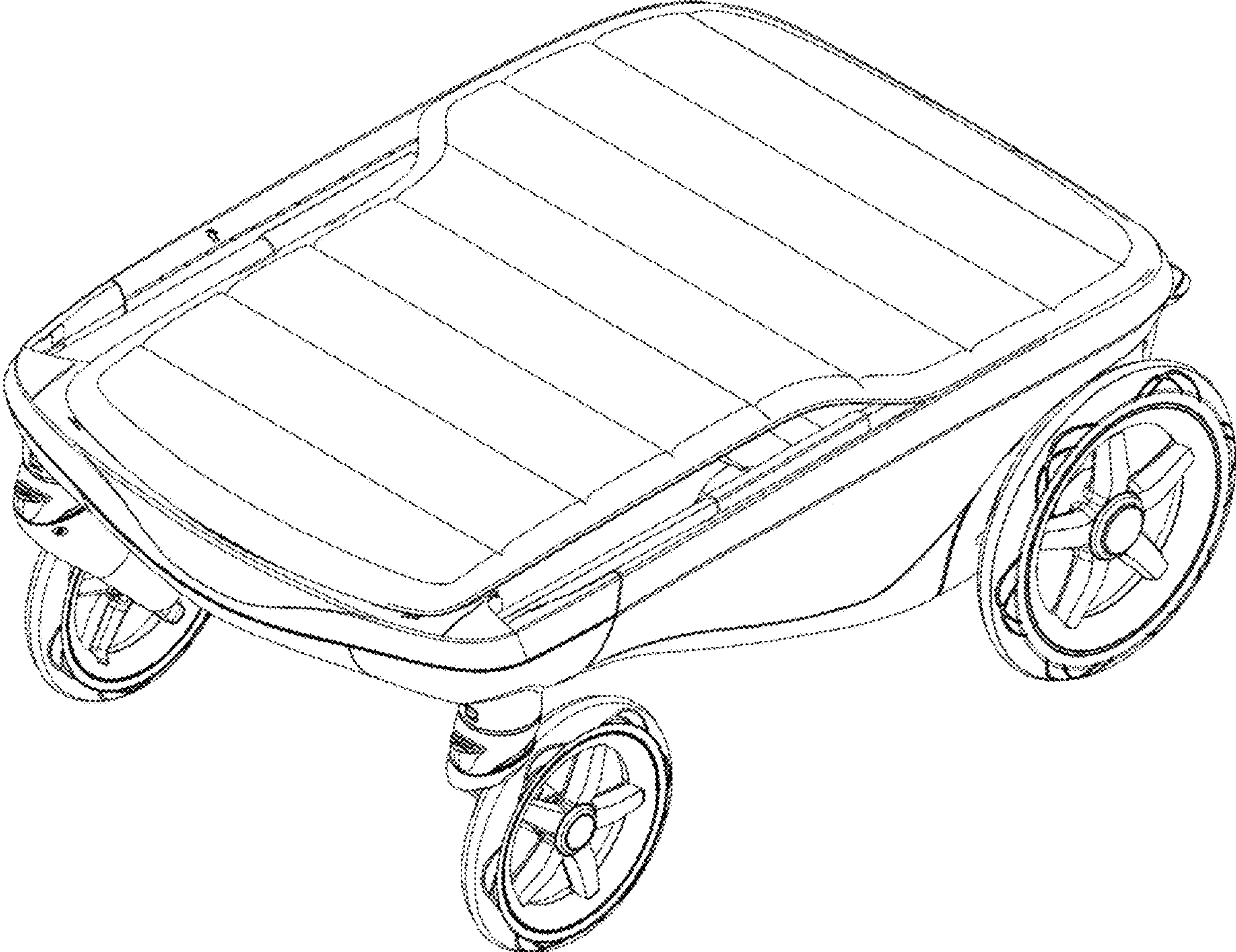


FIG. 16

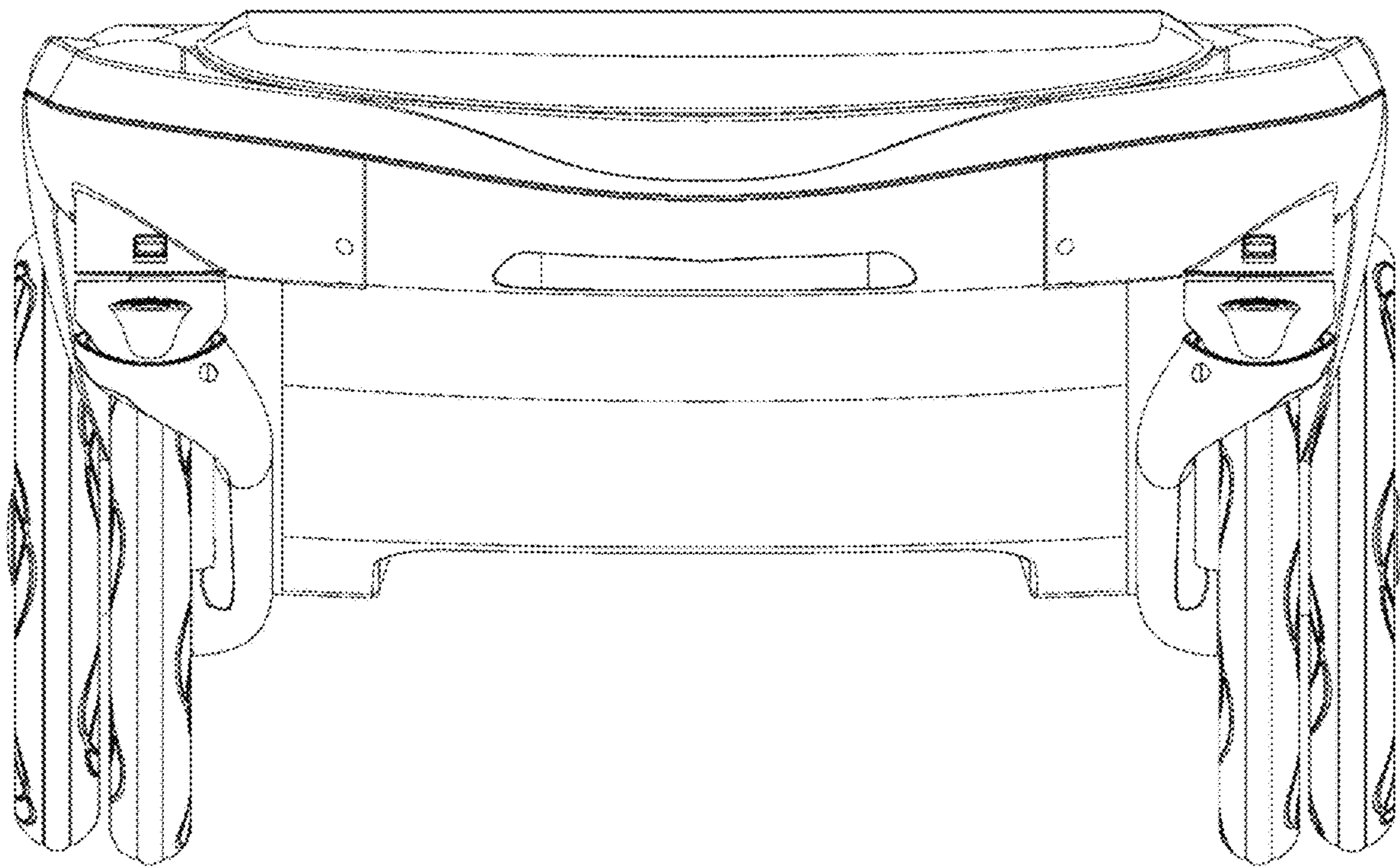


FIG. 17

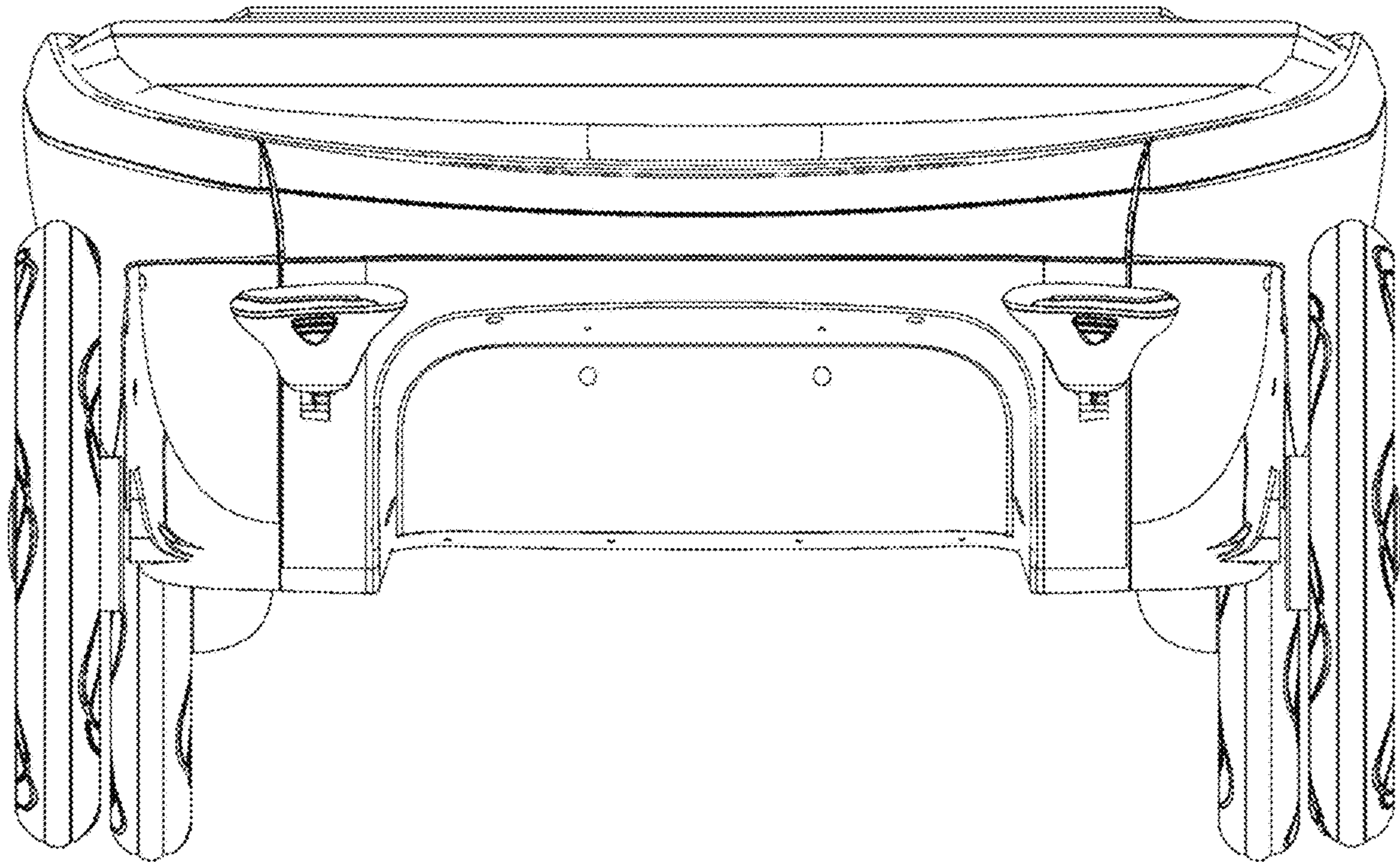


FIG. 18

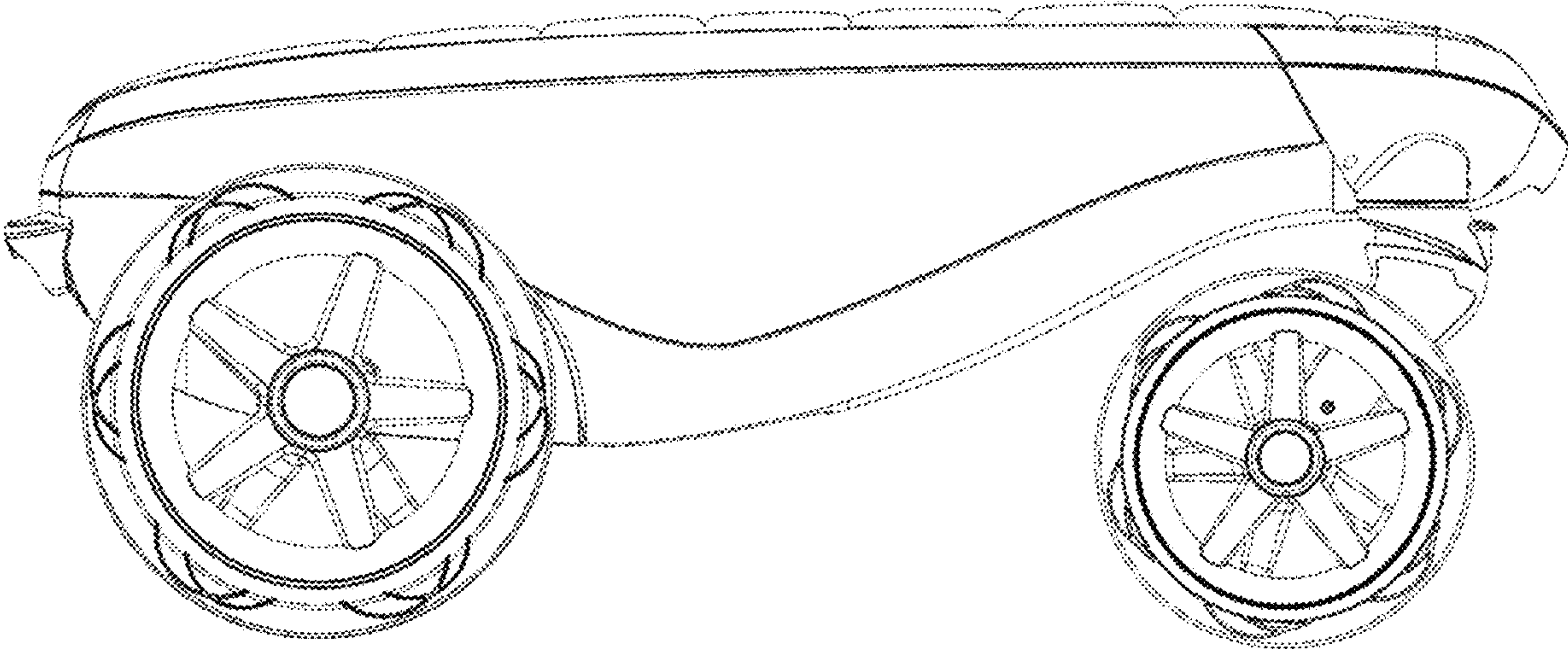


FIG. 19

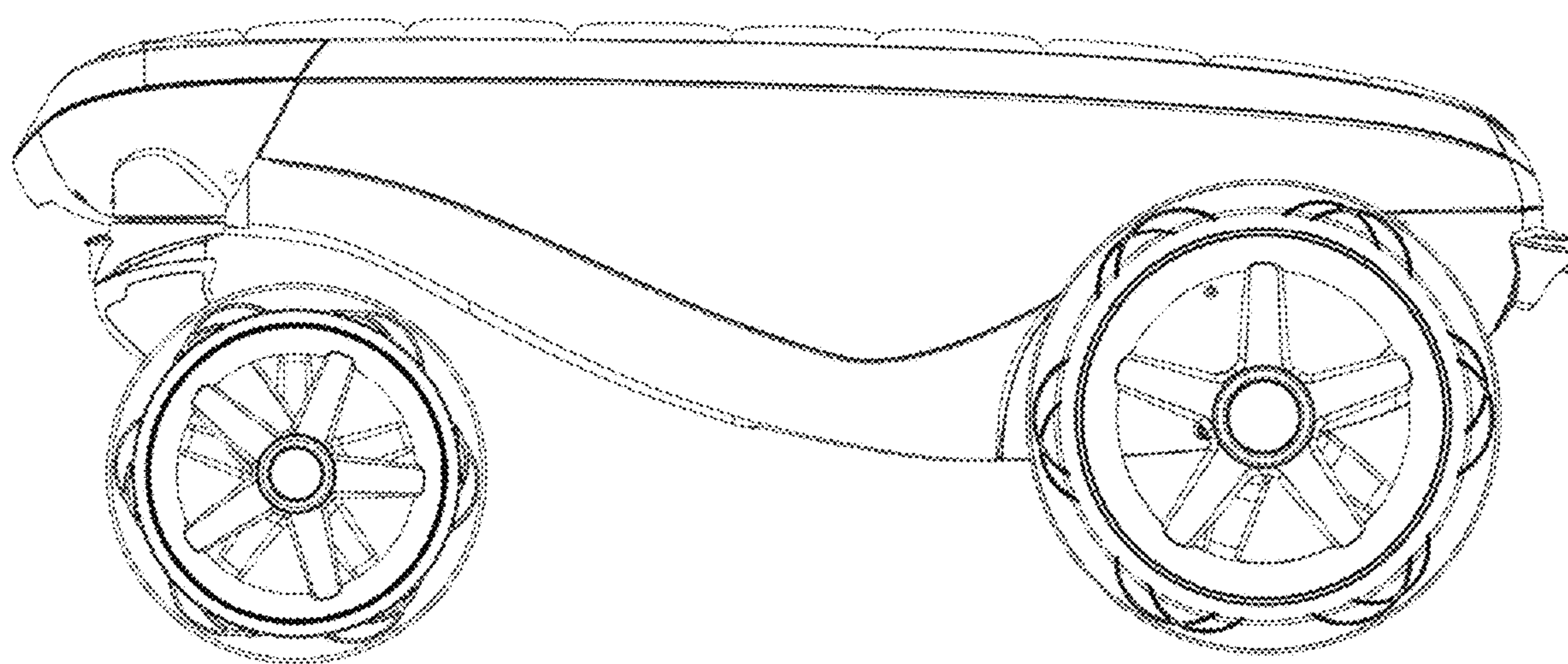


FIG. 20

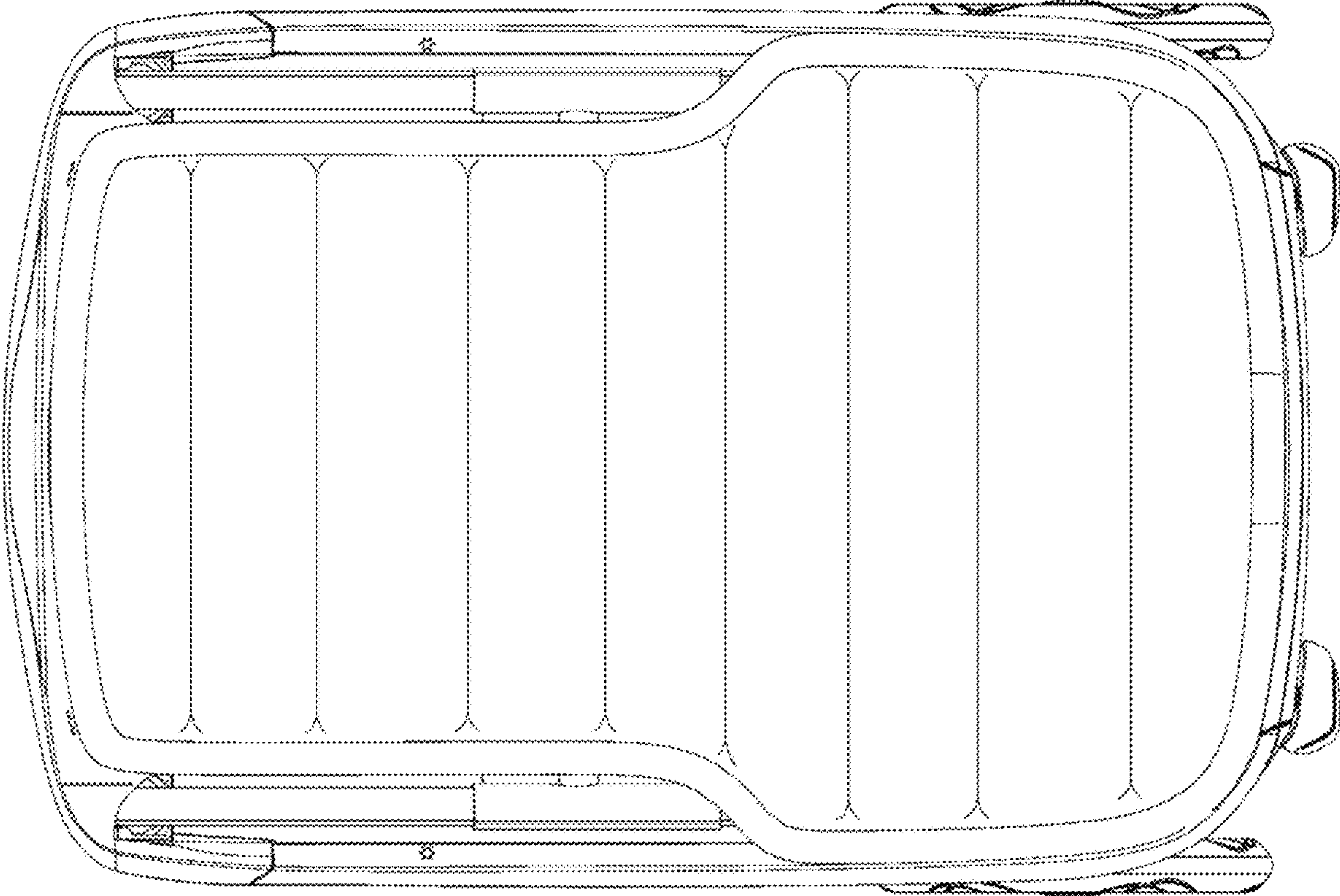


FIG. 21

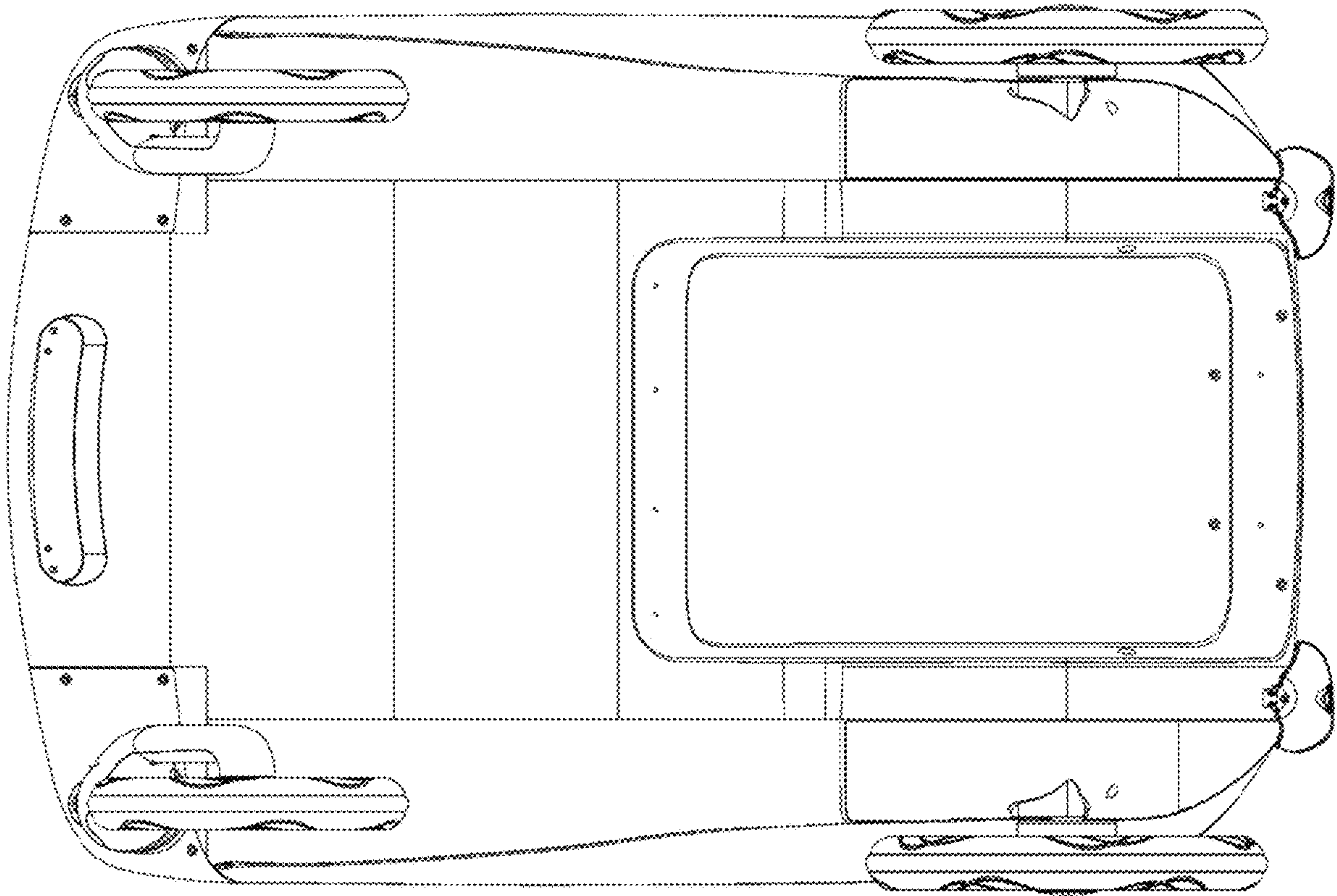


FIG. 22

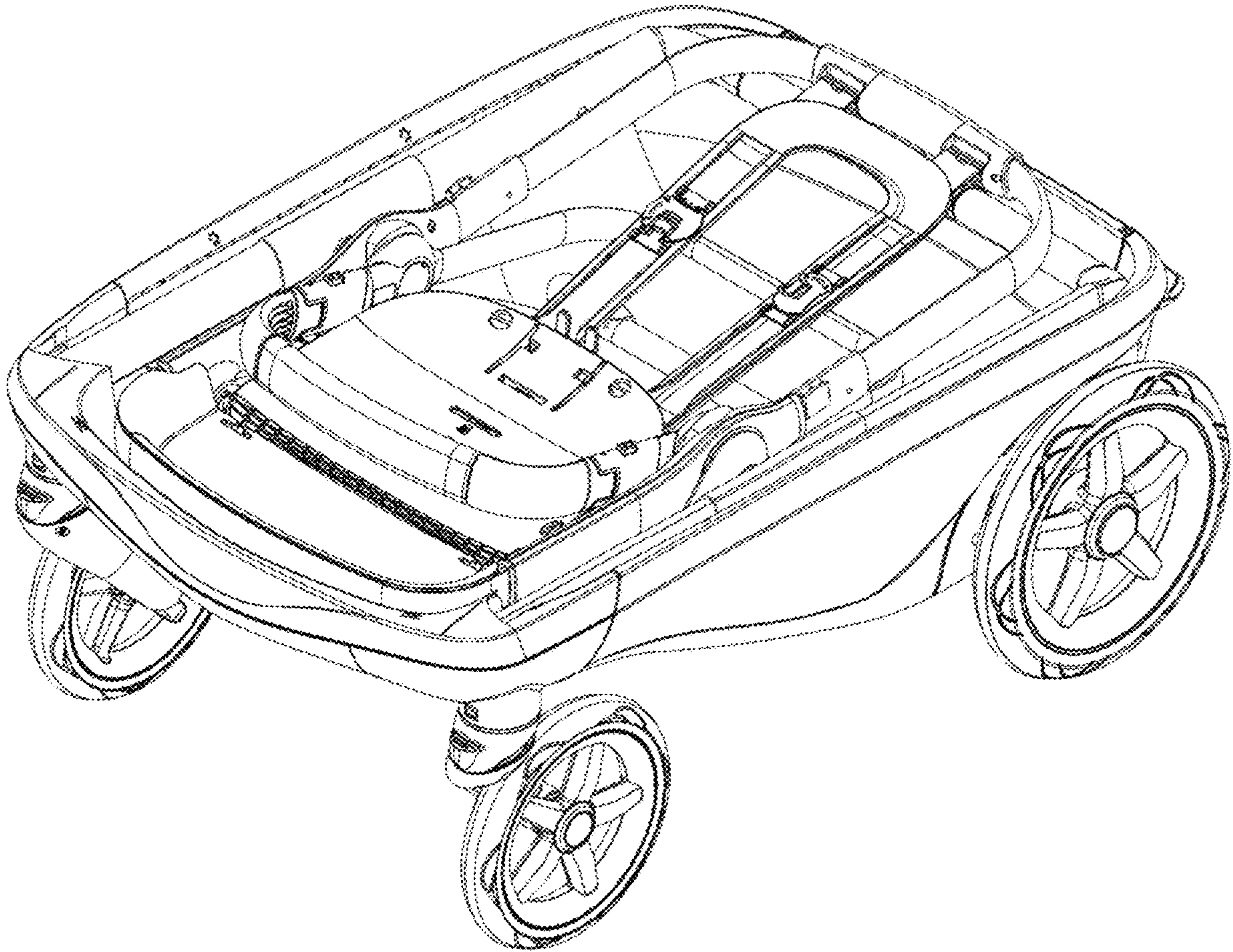


FIG. 23