



US00D883859S

(12) **United States Design Patent** (10) **Patent No.:** **US D883,859 S**
Norfleet et al. (45) **Date of Patent:** **** May 12, 2020**

(54) **SAFETY BUMPER FOR A TRAILER TAILGATE**

(71) Applicant: **Backsaver International, Inc.**,
Somerset, KY (US)

(72) Inventors: **Ralph Norfleet**, Somerset, KY (US);
Jason Norfleet, Somerset, KY (US)

(73) Assignee: **Backsaver International, Inc.**,
Somerset, KY (US)

(**) Term: **15 Years**

(21) Appl. No.: **29/635,488**

(22) Filed: **Jan. 31, 2018**

(51) **LOC (12) Cl.** **12-16**

(52) **U.S. Cl.**
USPC **D12/106**

(58) **Field of Classification Search**
USPC D12/19, 129, 100-106, 111-112, 162;
D21/425, 435; D34/21-26, 12, 16-19
CPC . B62D 35/02; B62D 35/00; B60P 3/10; B60P
3/1033; A62B 3/005
See application file for complete search history.

(56) **References Cited**

U.S. PATENT DOCUMENTS

D221,958 S	9/1971	Finebaum	
D231,430 S	4/1974	Steinhauser	
D259,083 S	5/1981	Riegsecker	
5,037,027 A	8/1991	Nichols	
D325,835 S	5/1992	Sollner	
D356,945 S	4/1995	Kinner	
D460,263 S	7/2002	Bradford	
D465,033 S *	10/2002	Messier	D25/102
D571,644 S	6/2008	Ilang	
D625,595 S	10/2010	Park et al.	
D795,467 S	8/2017	Mort	
D801,798 S *	11/2017	Teng	D8/403
D814,358 S *	4/2018	Norfleet	D12/106
D837,780 S *	1/2019	Eulette	D14/250

D844,426 S *	4/2019	Mueller	D8/403
D860,058 S *	9/2019	Norfleet	D12/106
D861,540 S *	10/2019	McGugan	D12/106
2008/0066404 A1 *	3/2008	Beard, Jr.	E04F 19/0486 52/287.1
2008/0149649 A1 *	6/2008	Knupfer	B62B 5/0006 220/694
2009/0250367 A1 *	10/2009	Murdoch	B65D 81/057 206/453
2011/0094174 A1 *	4/2011	Meahl	E04F 19/04 52/288.1

OTHER PUBLICATIONS

USPTO; Notice of Allowance in U.S. Appl. No. 29/564,004, dated Jan. 22, 2018.

* cited by examiner

Primary Examiner — Katrina A Betton

(74) *Attorney, Agent, or Firm* — King & Schickli, PLLC

(57) **CLAIM**

The ornamental design for a safety bumper for a trailer tailgate, as shown and described.

DESCRIPTION

Design application Ser. No. 29/564,004 filed on May 10, 2016 is incorporated by reference.

FIG. 1 is an isometric front view of the safety bumper for a trailer tailgate;

FIG. 2 is an isometric bottom view;

FIG. 3 is a right side view;

FIG. 4 is another right side view;

FIG. 5 is a left side view;

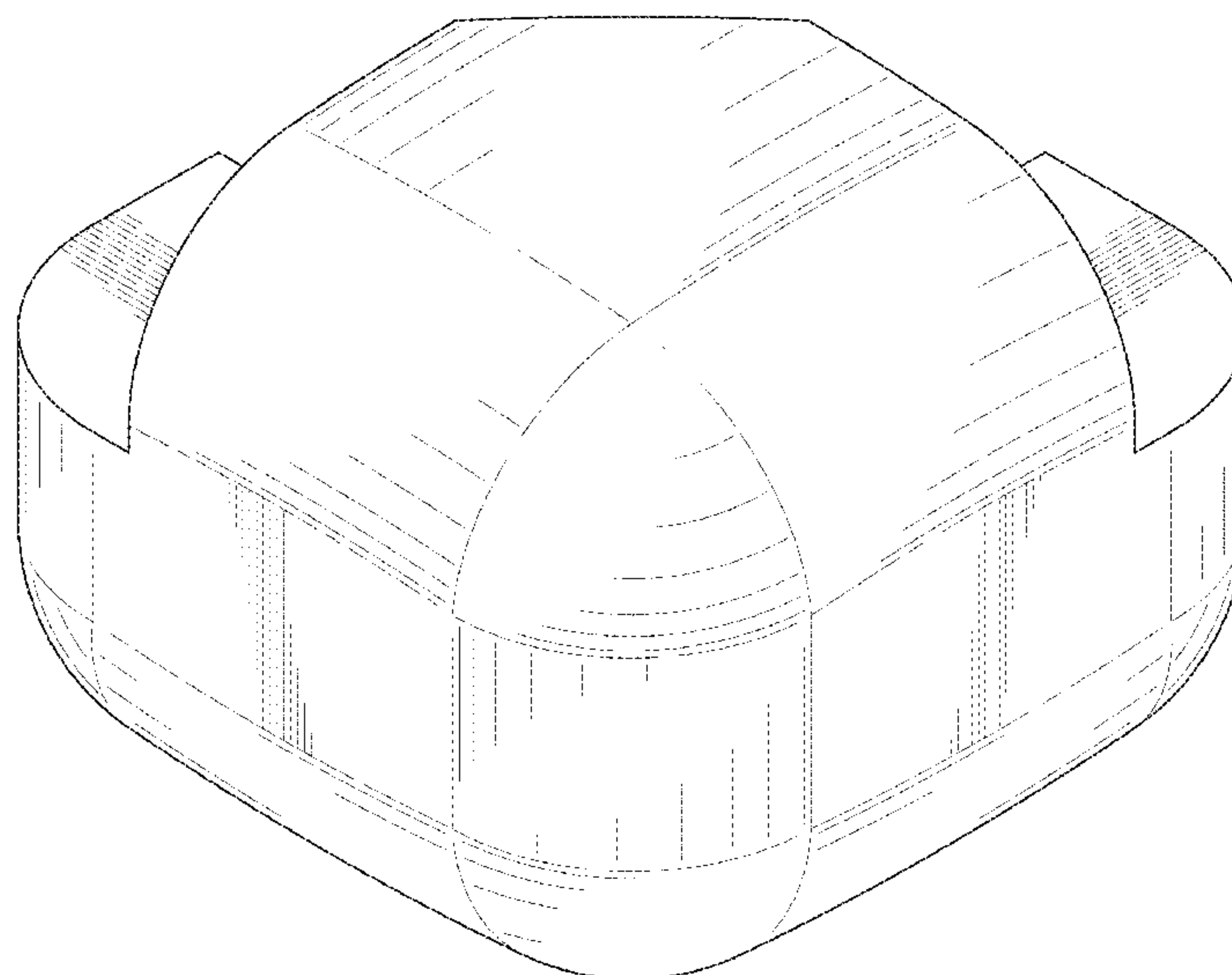
FIG. 6 is a another left side view;

FIG. 7 is a top view;

FIG. 8 is a bottom view; and,

FIG. 9 is a cross-sectional view taken along line 9-9 of FIG. 3.

1 Claim, 9 Drawing Sheets



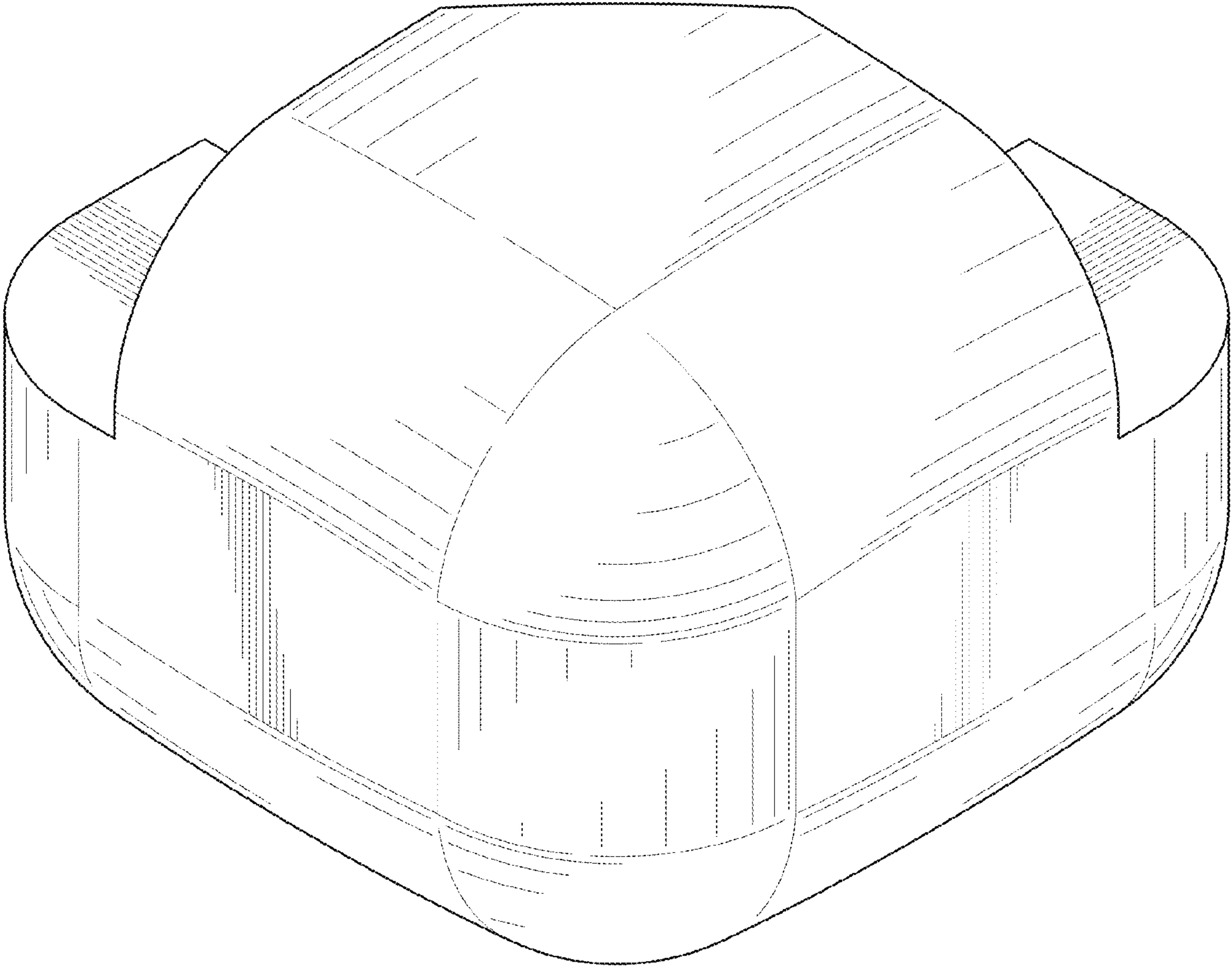


FIG. 1

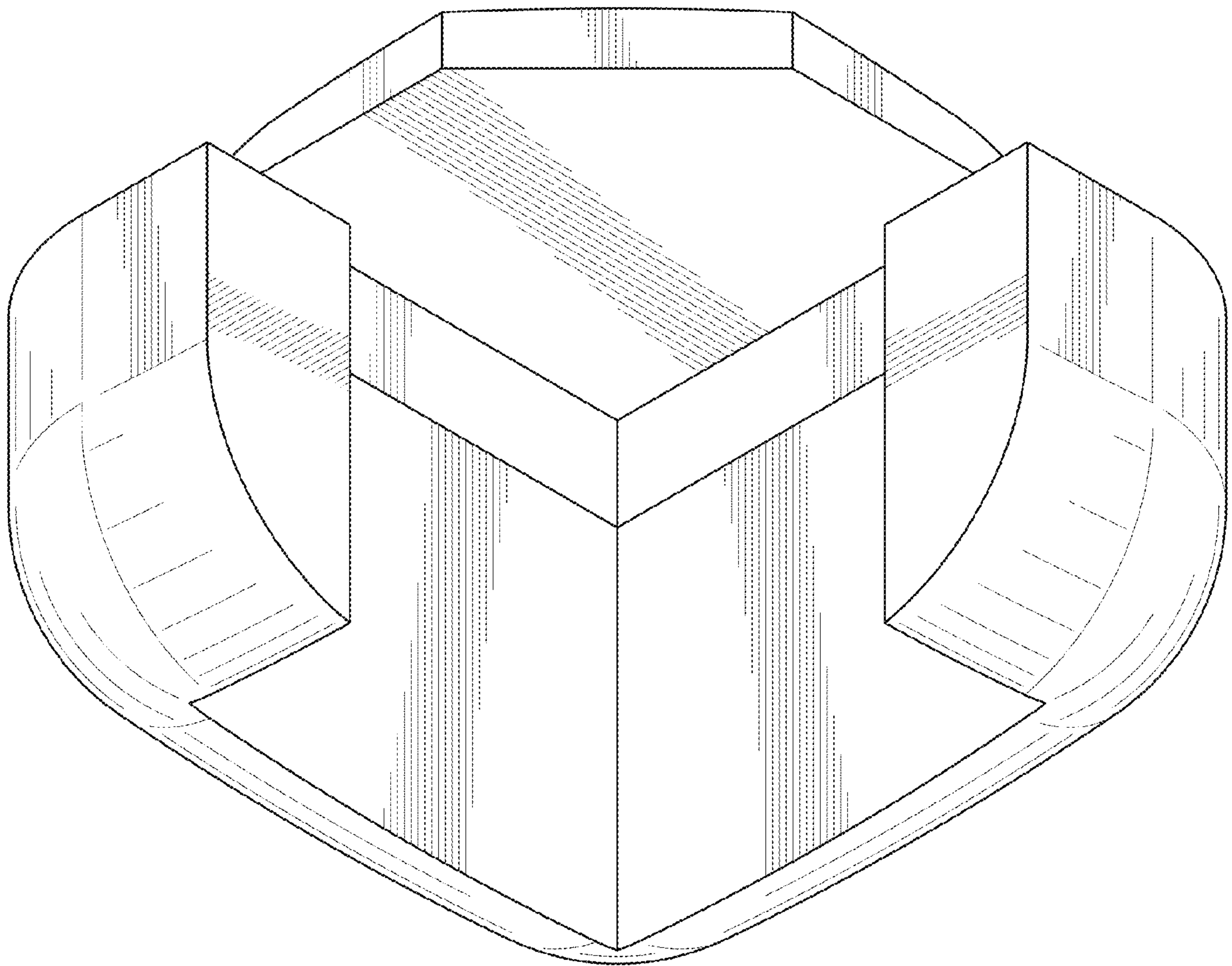


FIG. 2

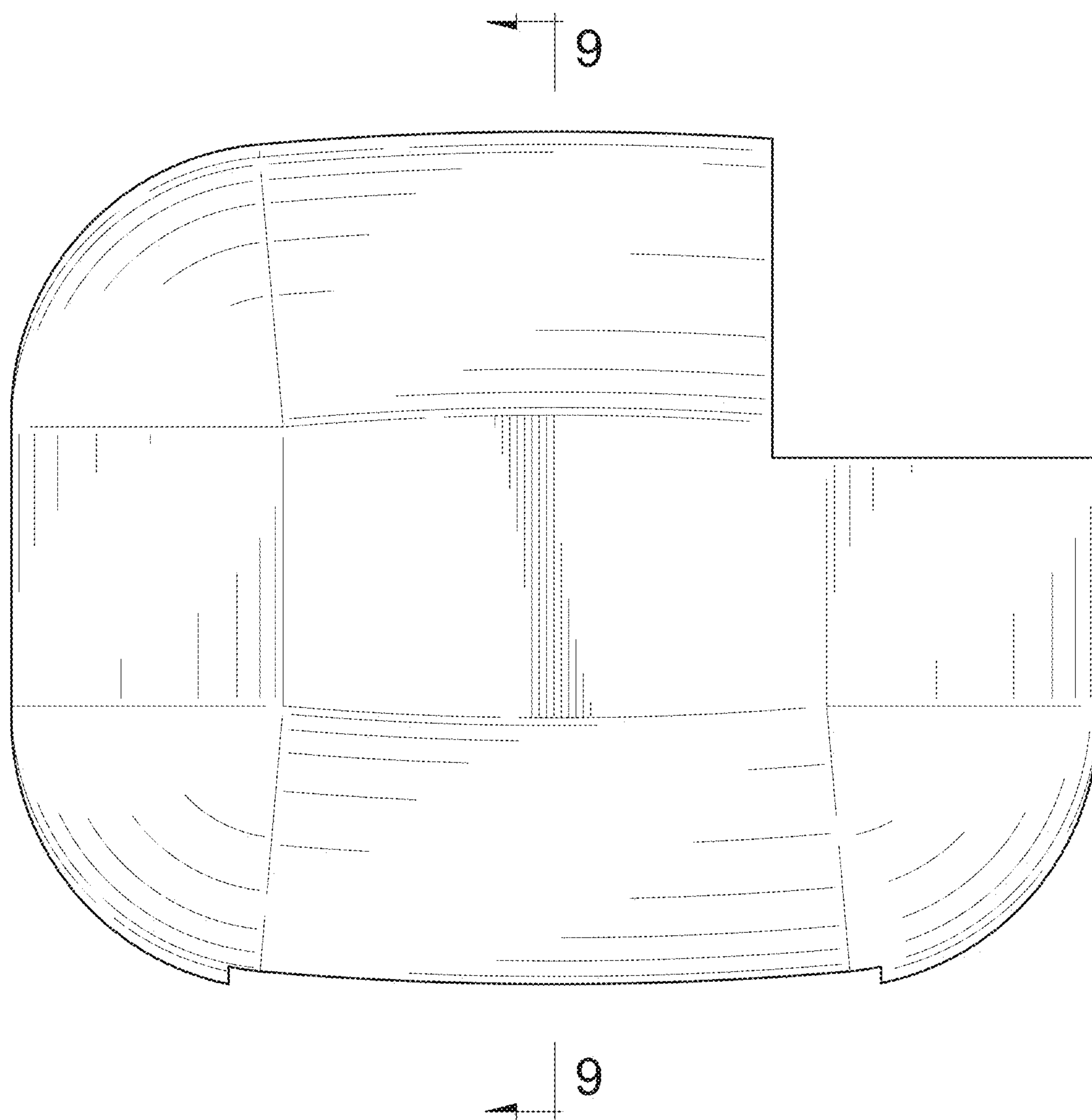


FIG. 3

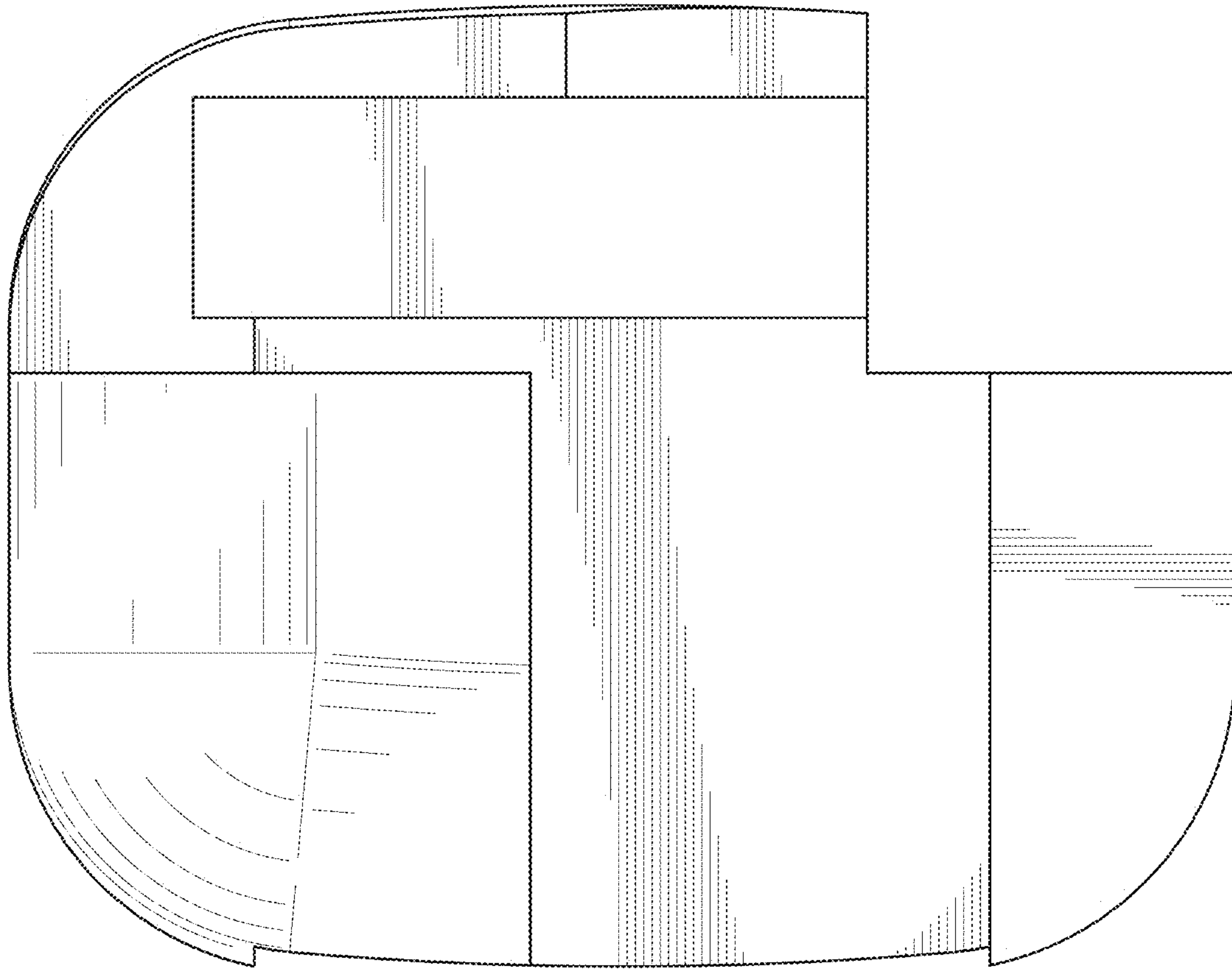


FIG. 4

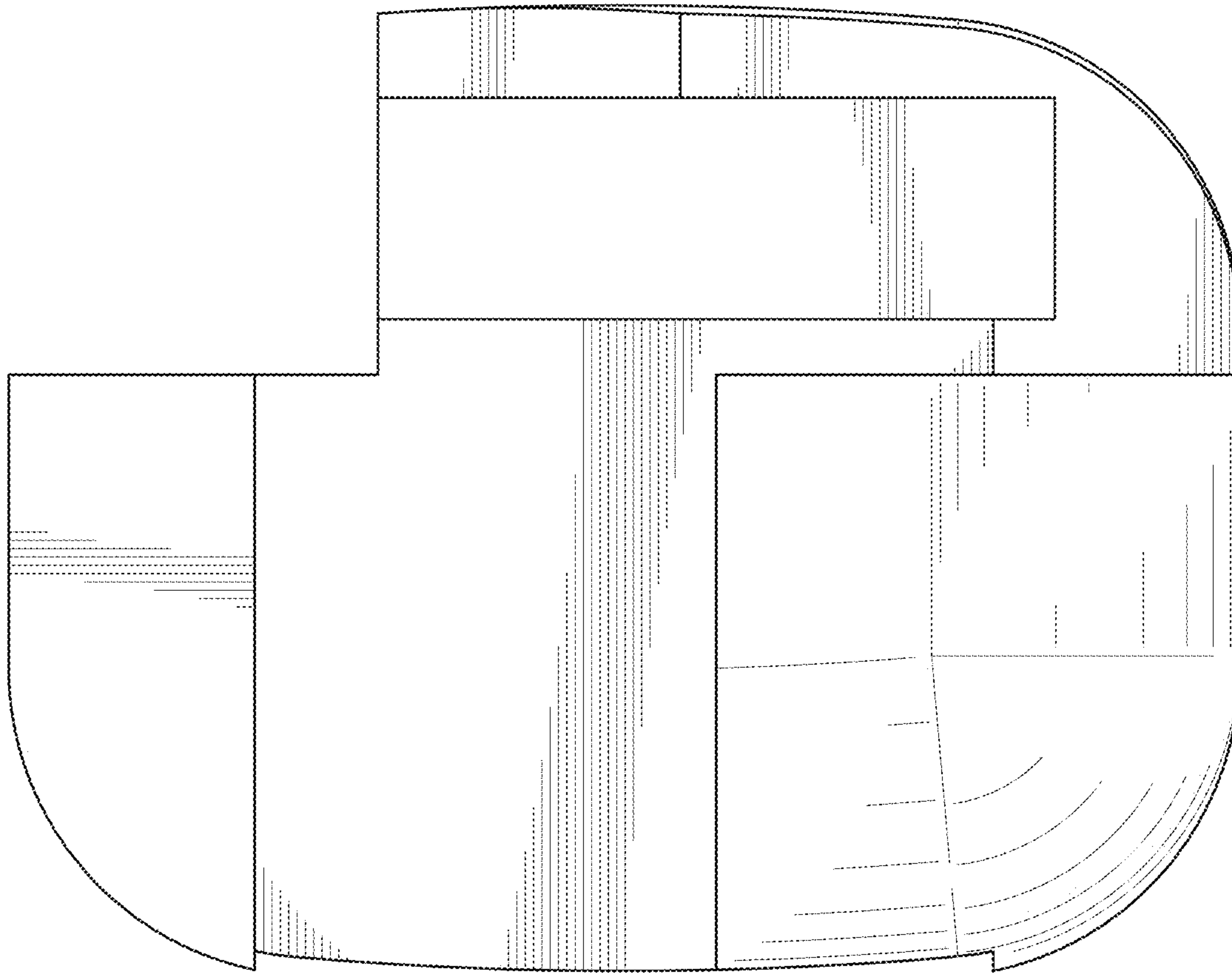


FIG. 5

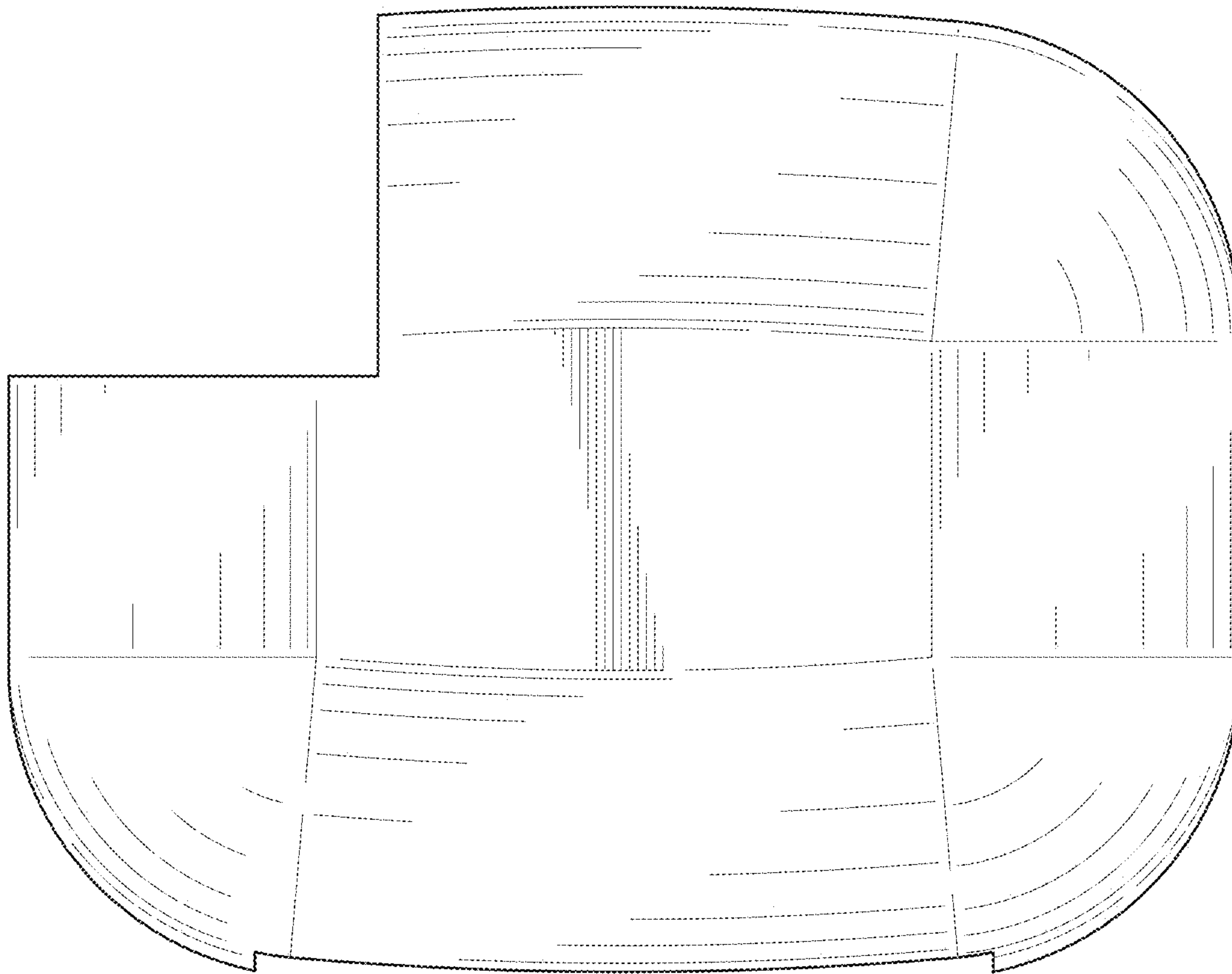


FIG. 6

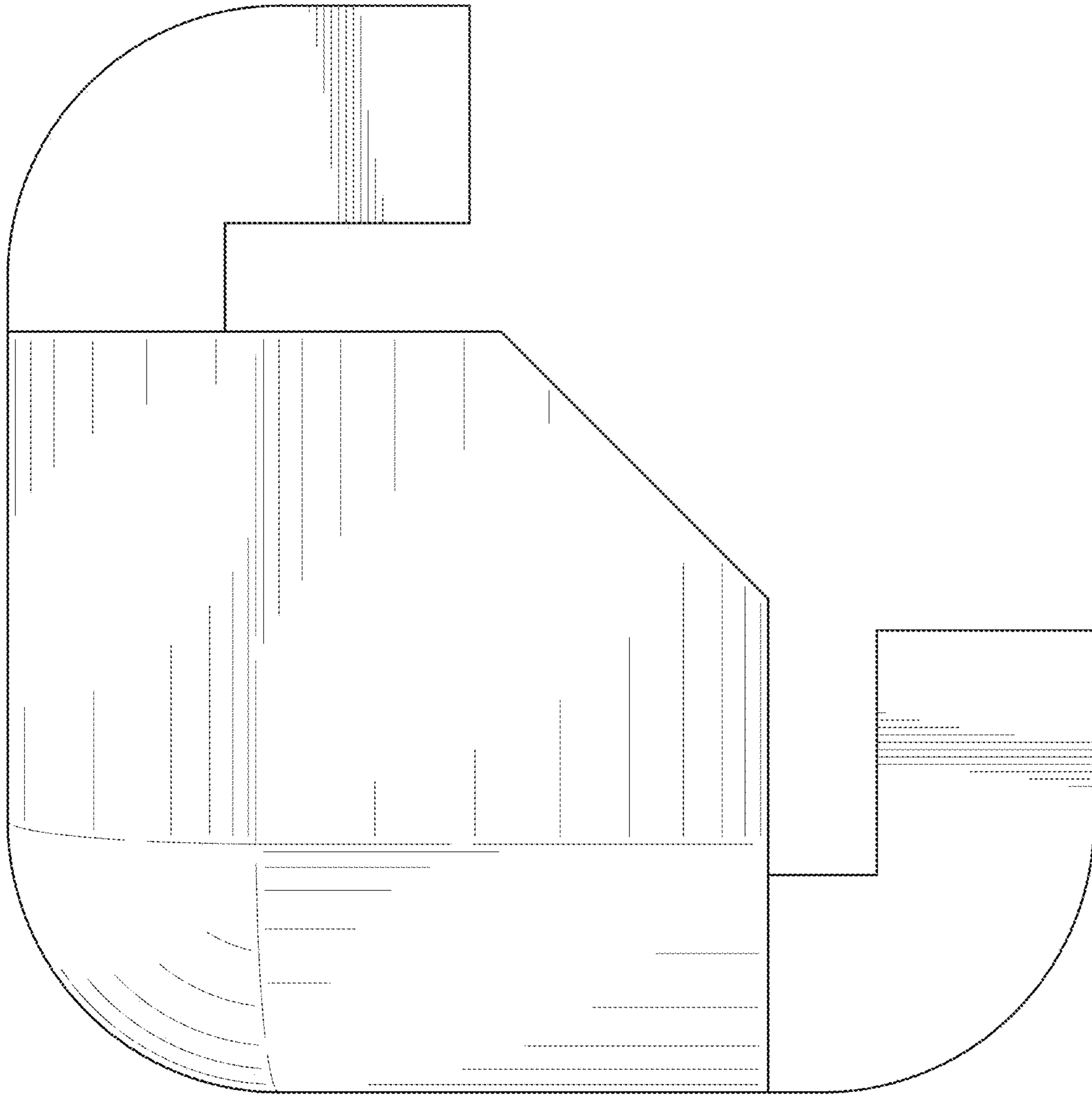


FIG. 7

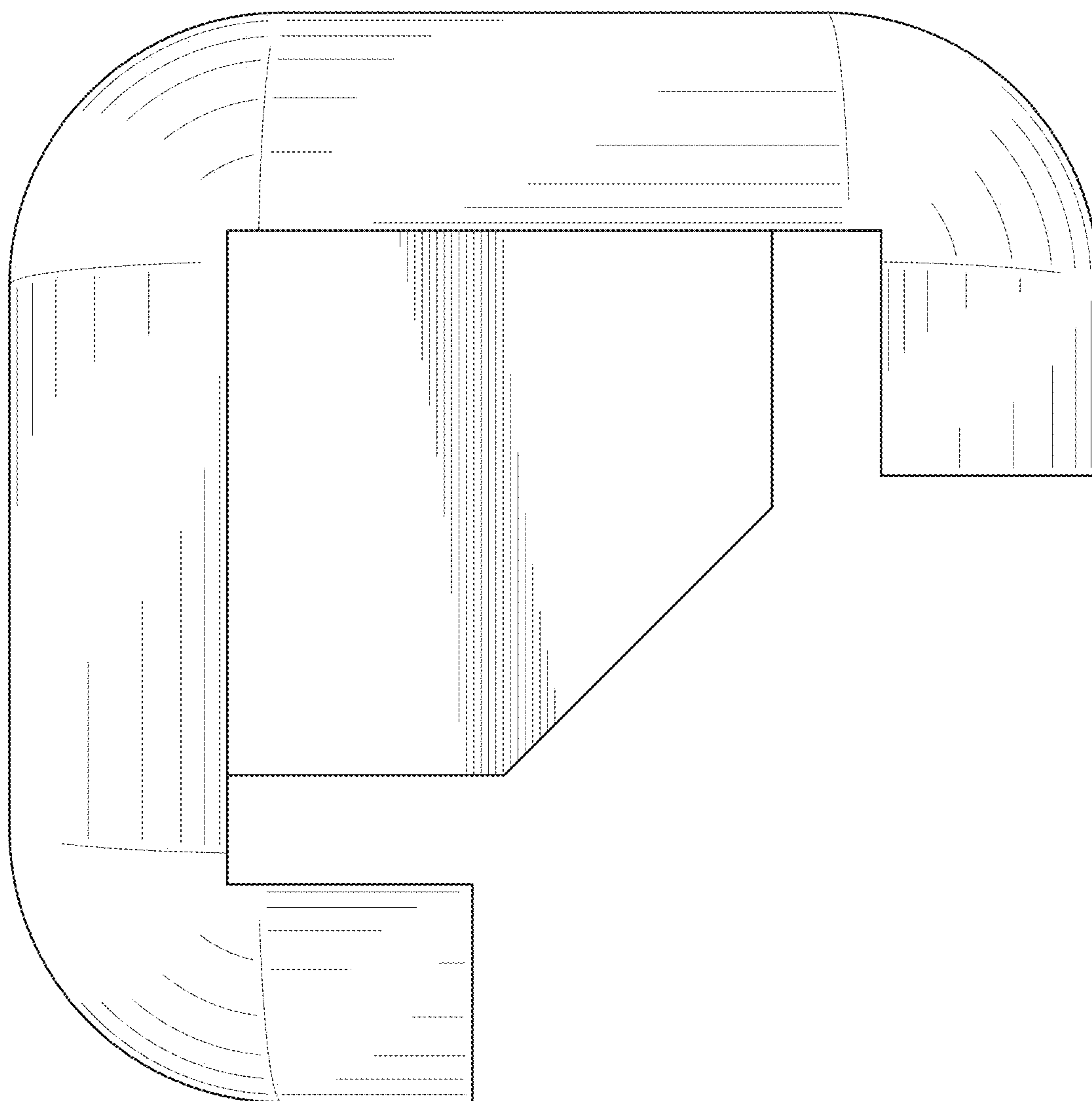


FIG. 8

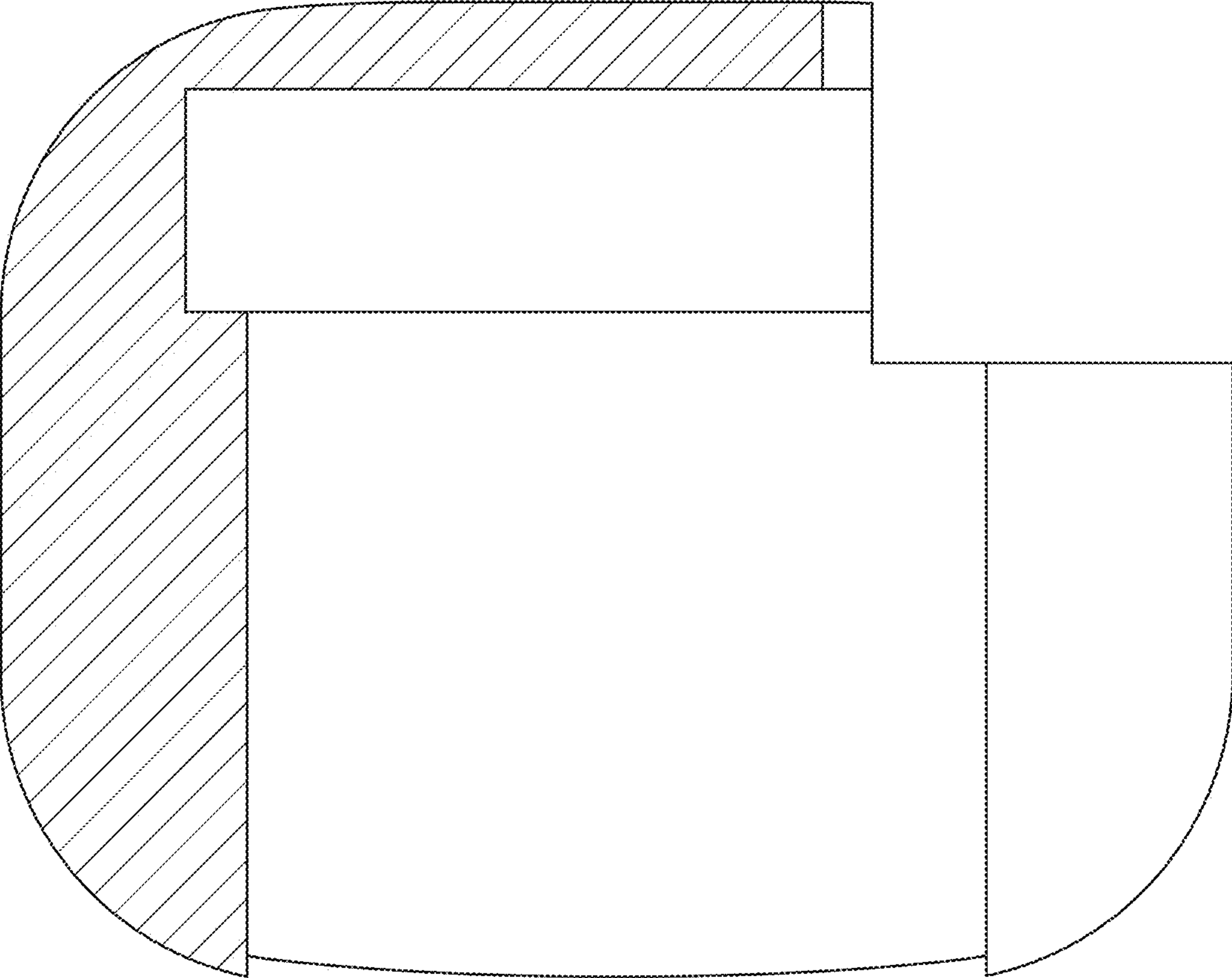


FIG. 9