



US00D883855S

(12) **United States Design Patent**
Paik et al.

(10) **Patent No.:** **US D883,855 S**

(45) **Date of Patent:** **** May 12, 2020**

(54) **BUCKLE MEMBER FOR BAGS**

(56) **References Cited**

(71) Applicant: **WOJIN PLASTIC CO., LTD.**,
Gyeonggi-do (KR)

U.S. PATENT DOCUMENTS

(72) Inventors: **Jisook Paik**, Seoul (KR); **Nan Hee Paik**, Seoul (KR); **Ji Hye Paik**, Seoul (KR); **Ji Won Son**, Seoul (KR)

6,052,875 A * 4/2000 Fudaki A44B 11/266
24/615
6,263,549 B1 * 7/2001 Uehara A44B 11/266
24/625
D471,487 S * 3/2003 Uehara D11/216

(Continued)

(73) Assignee: **WOJIN PLASTIC CO., LTD.**,
Gurisi, Gyeonggi-Do (KR)

FOREIGN PATENT DOCUMENTS

(**) Term: **15 Years**

DE 20 2019101 506 * 6/2019
EMRGN-004639003-0001 * 1/2018
WO WO 2019/053904 * 3/2019

(21) Appl. No.: **29/631,733**

Primary Examiner — Kevin K Rudzinski

(22) Filed: **Jan. 2, 2018**

Assistant Examiner — Richard Kearney

(51) **LOC (12) Cl.** **02-07**

(74) *Attorney, Agent, or Firm* — Novick, Kim & Lee,
PLLC; Jae Youn Kim; Hyun Woo Shin

(52) **U.S. Cl.**

(57) **CLAIM**

USPC **D11/216**

We claim, the ornamental design for a buckle member for bags, as shown and described.

(58) **Field of Classification Search**

DESCRIPTION

USPC D2/624, 626, 627, 633, 639, 640, 853,
D2/923; D3/24, 213, 215, 216, 230;
D8/14, 331, 343, 349, 356, 358, 359, 360,
D8/363, 366, 371, 382, 394, 395;
D10/32, 38; D11/1, 2, 3, 12, 16, 86, 87,
D11/93, 200, 201, 206–210, 212–218,
D11/229–237; D12/195, 416;
D29/100–101.5, 122, 129, 130; D30/139,
D30/152, 153

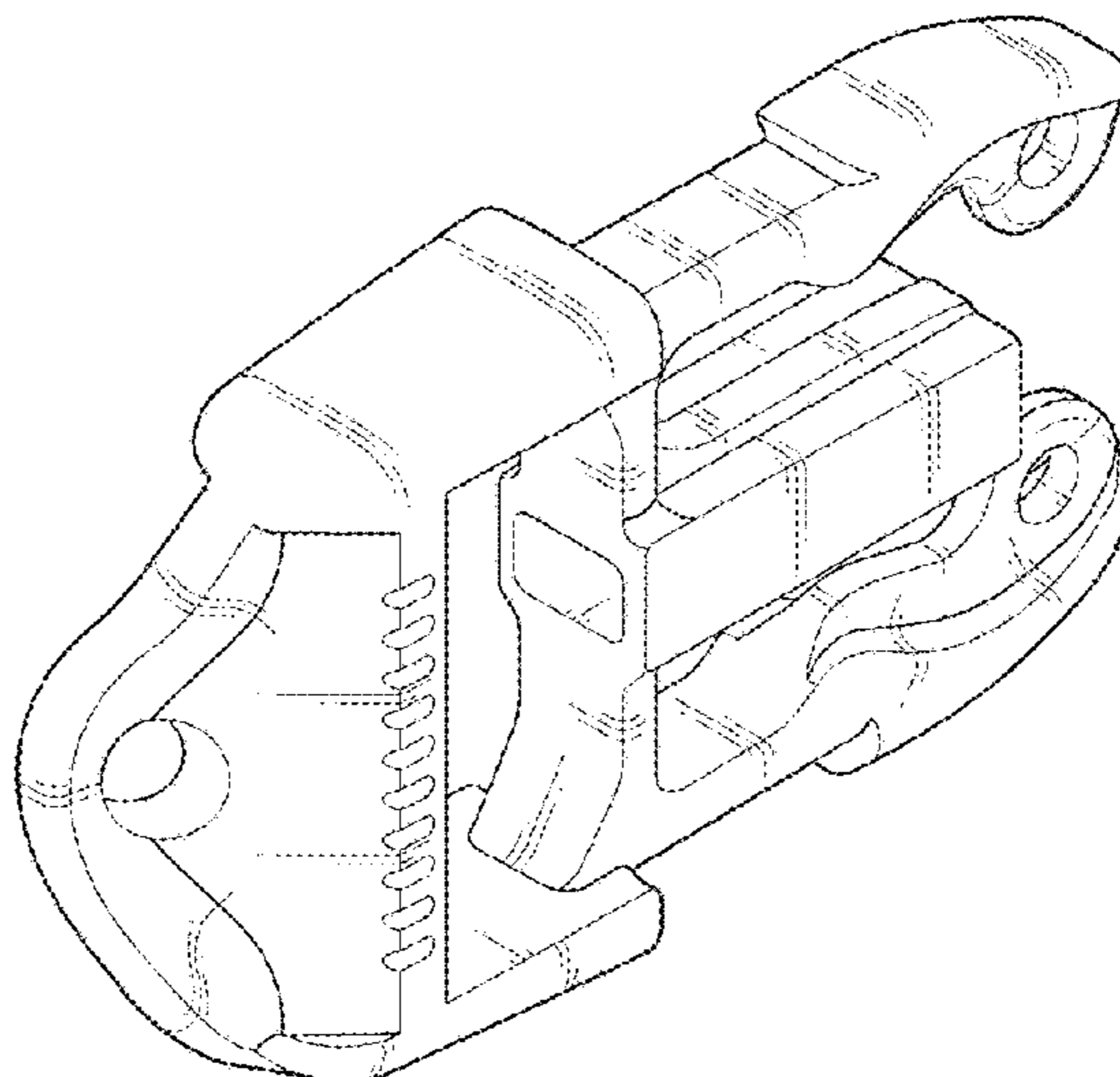
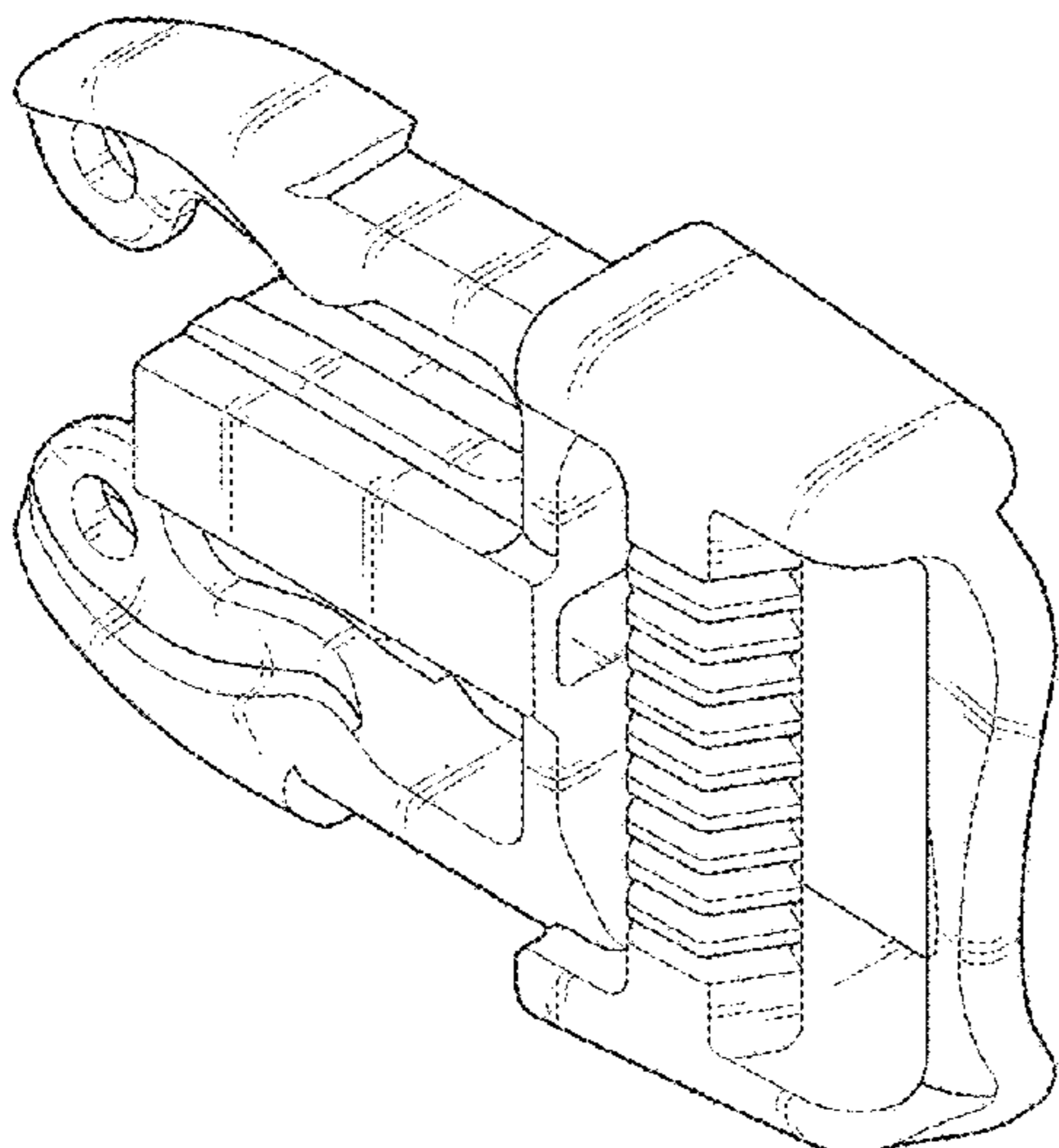
FIG. 1 is a perspective view of a buckle member for bags, showing my new design;
FIG. 2 is a front view thereof;
FIG. 3 is a rear view thereof;
FIG. 4 is a left side view thereof;
FIG. 5 is a right side view thereof;
FIG. 6 is a top plan view thereof;
FIG. 7 is a bottom plan view thereof;
FIG. 8 is a cross-sectional view taken along lines 8-8 of FIG. 2;

CPC A44B 11/00; A44B 11/02; A44B 11/04;
A44B 11/05; A44B 11/06; A44B 11/10;
A44B 11/14; A44B 11/18; A44B 11/22;
A44B 11/25; A44B 11/26; A44B 11/125;
A44B 11/223; A44B 11/001; A44B
11/005; A44B 11/006; A44B 11/2503;
A44B 11/2507; A44B 11/2526; A44B
11/2553; A44B 11/2592; A41F 1/008;
A41F 9/002; A41F 9/007; A41F 11/06;
B60R 22/30; B60R 22/32; B60R 22/022;
B60R

FIG. 9 is a perspective view of thereof with a female member of buckle member for bags; and,
FIG. 10 is another perspective view thereof.
The broken lines shown in the drawings illustrate environmental subject matter and form no part of the claimed design.

(Continued)

1 Claim, 10 Drawing Sheets



(58) **Field of Classification Search**

CPC 2022/1806; B60R 2022/1812; B60R
2022/281; B65D 63/16; A62B 35/00

See application file for complete search history.

(56) **References Cited**

U.S. PATENT DOCUMENTS

7,089,633 B2* 8/2006 Liu A44B 11/266
24/615
D671,444 S * 11/2012 Paik D11/216
D717,206 S * 11/2014 Iannello D11/216
D868,623 S * 12/2019 Acuna D11/216
2002/0040514 A1* 4/2002 Uehara A44B 11/266
24/614

* cited by examiner

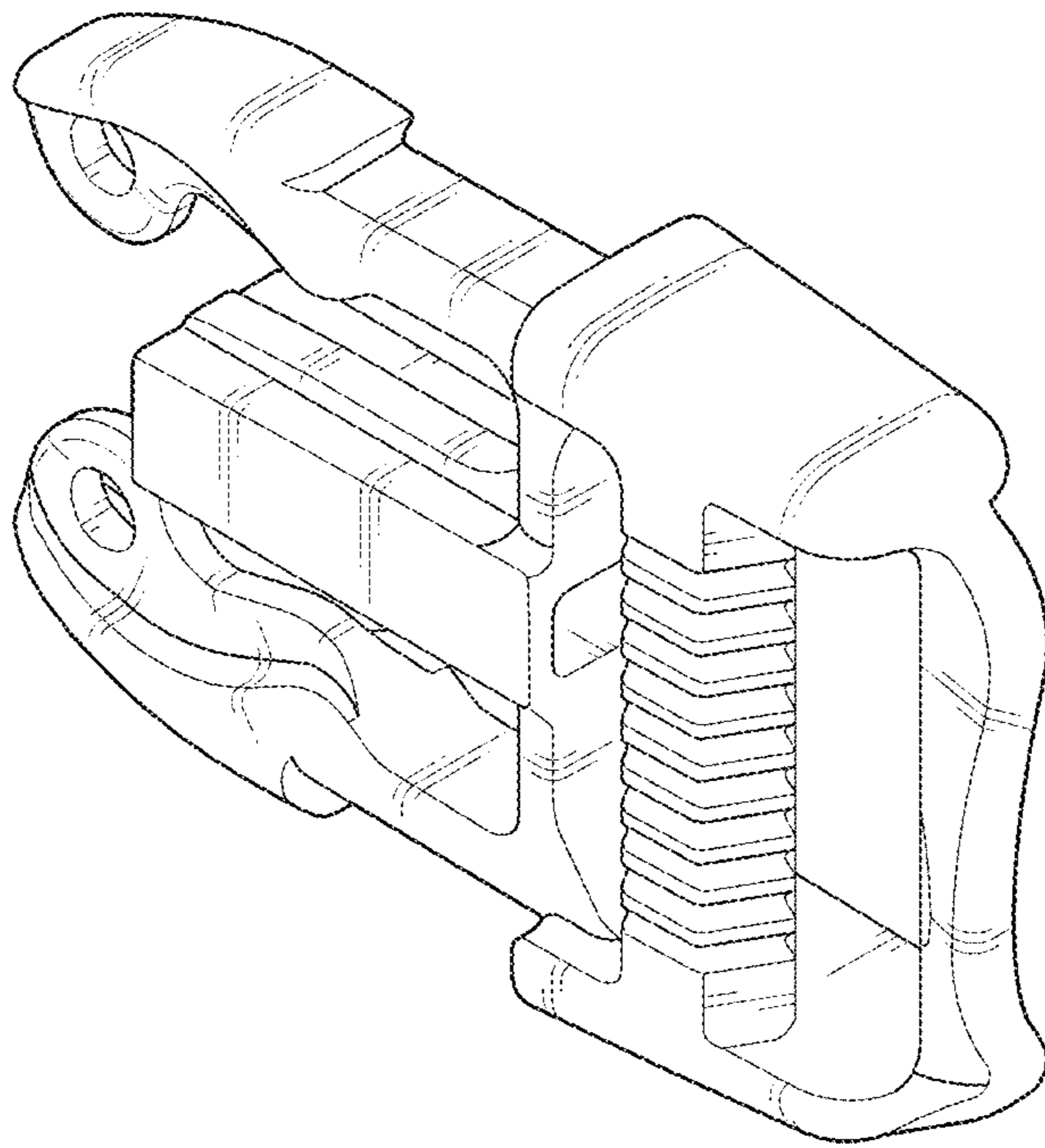


FIG.1

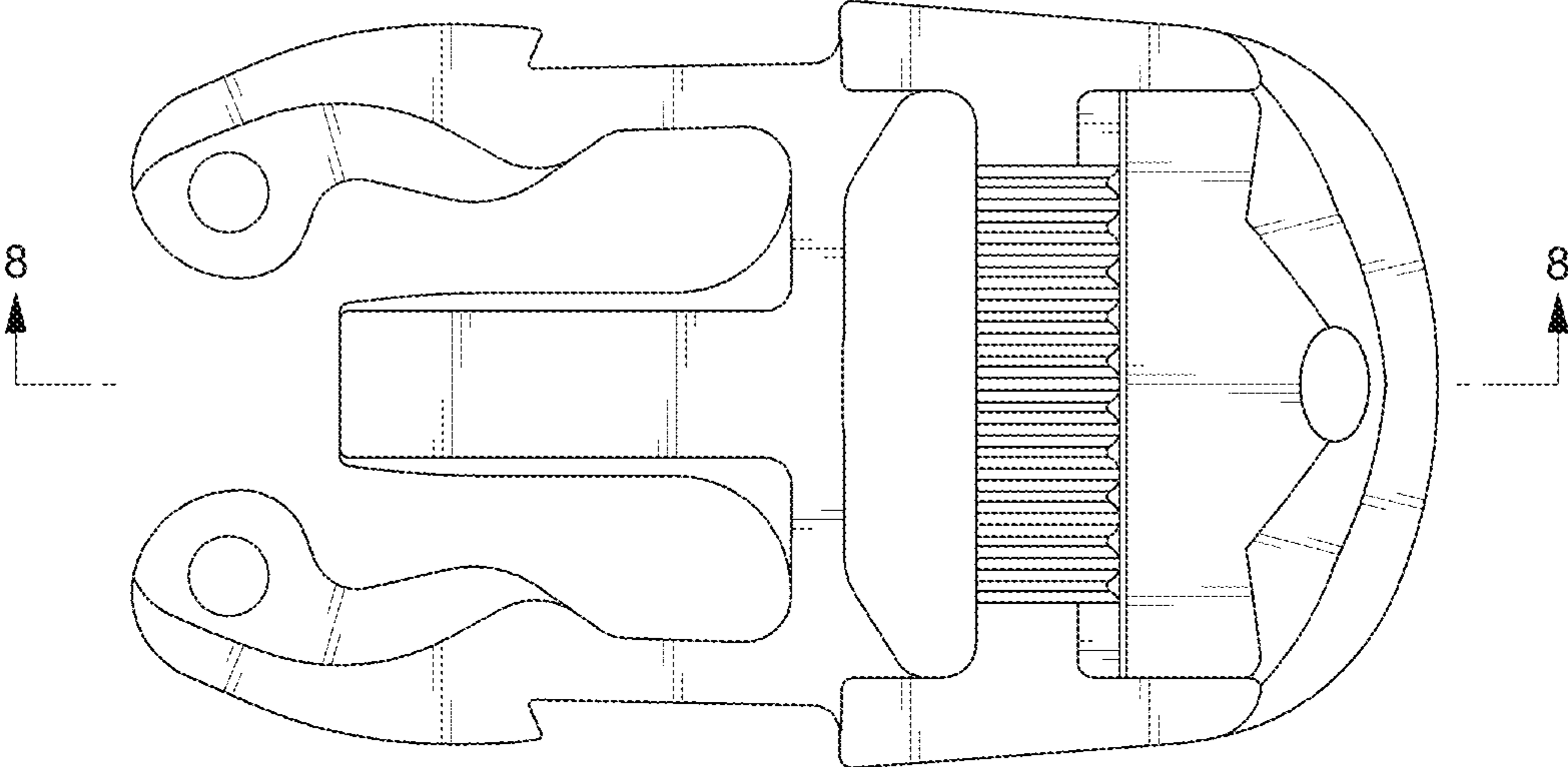


FIG. 2

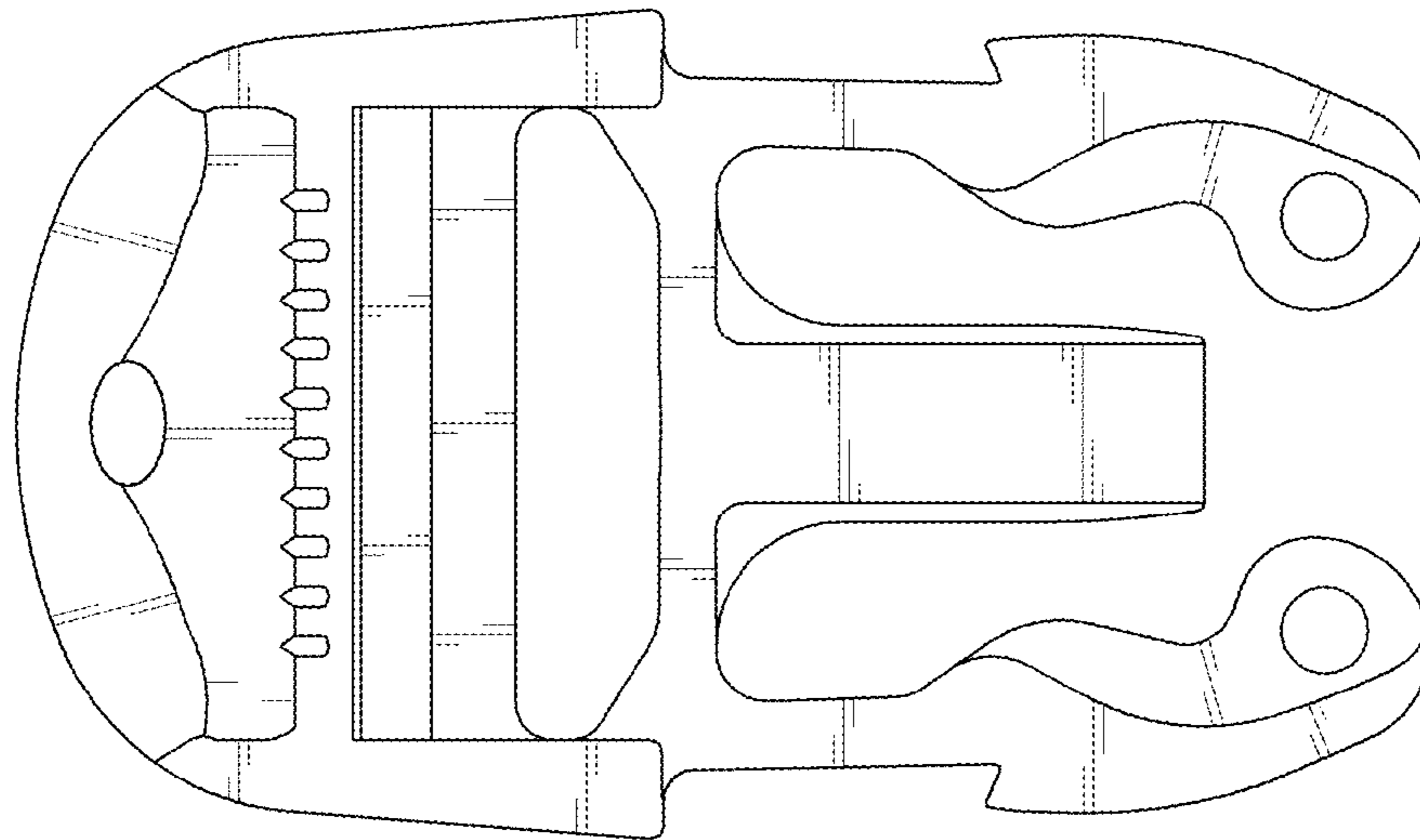


FIG.3

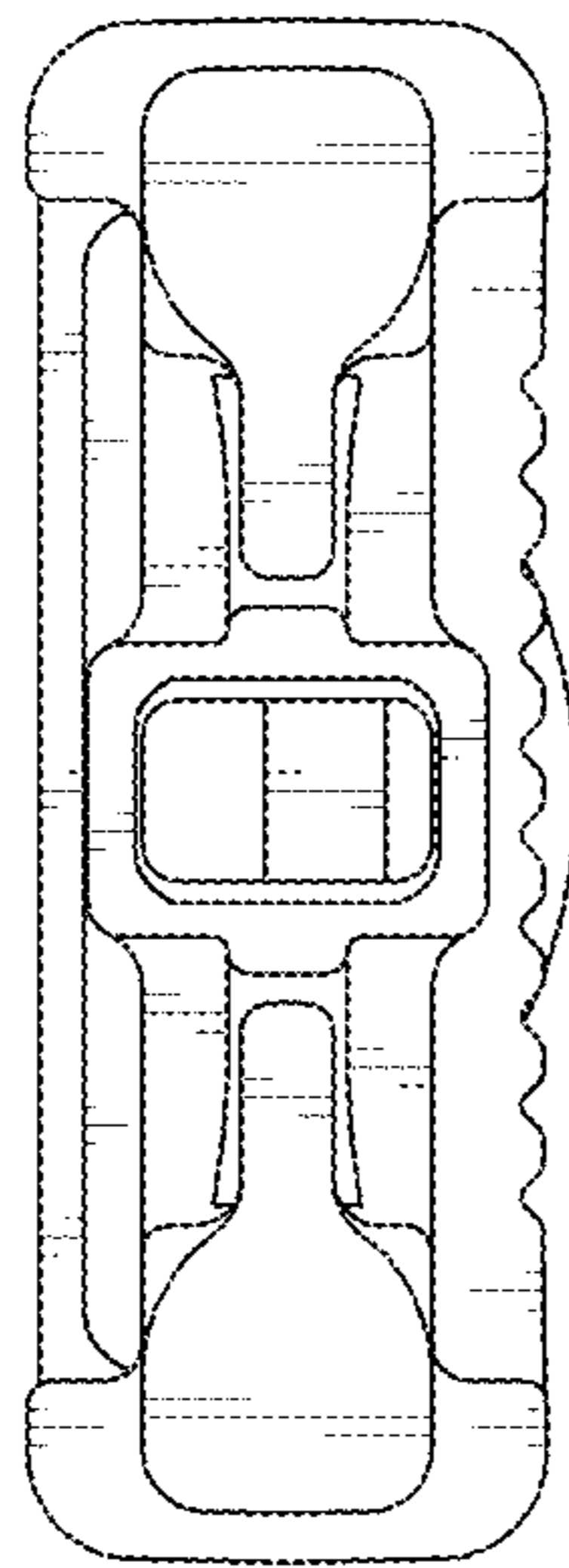


FIG. 4

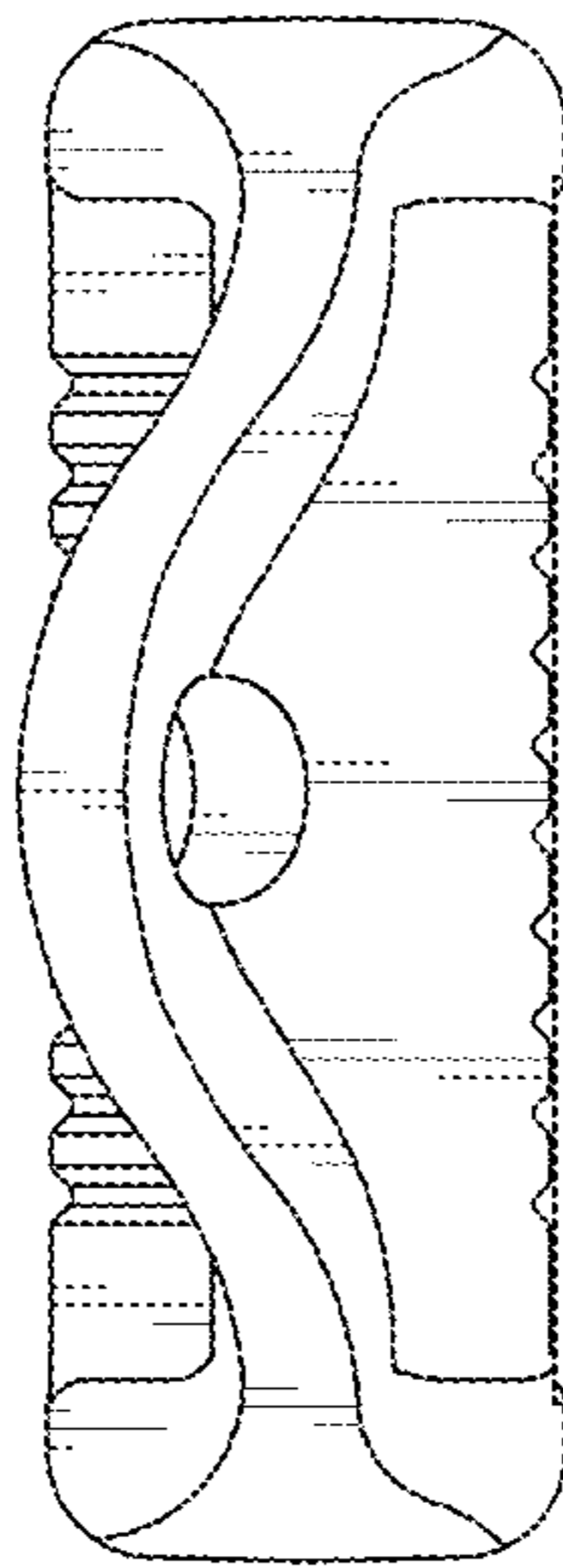


FIG.5

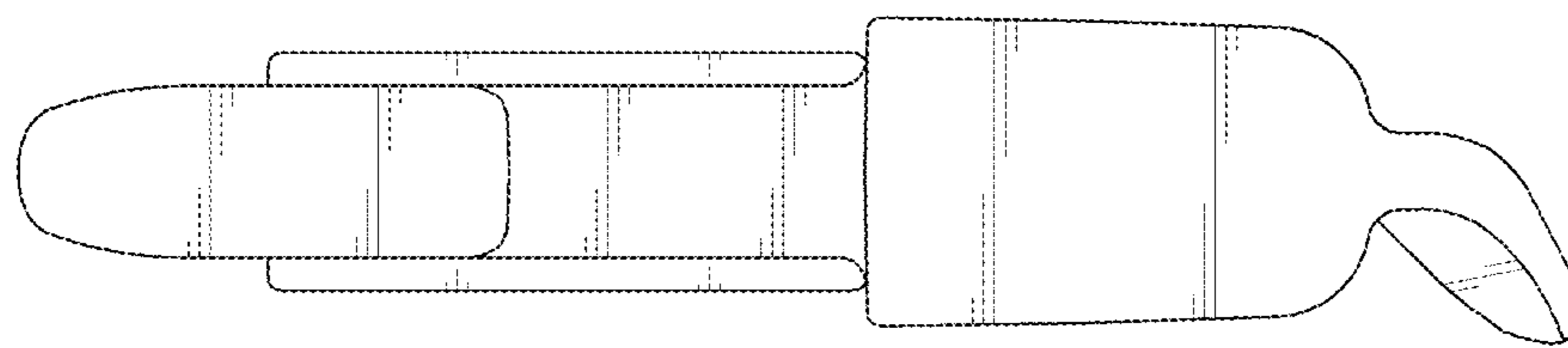


FIG. 6

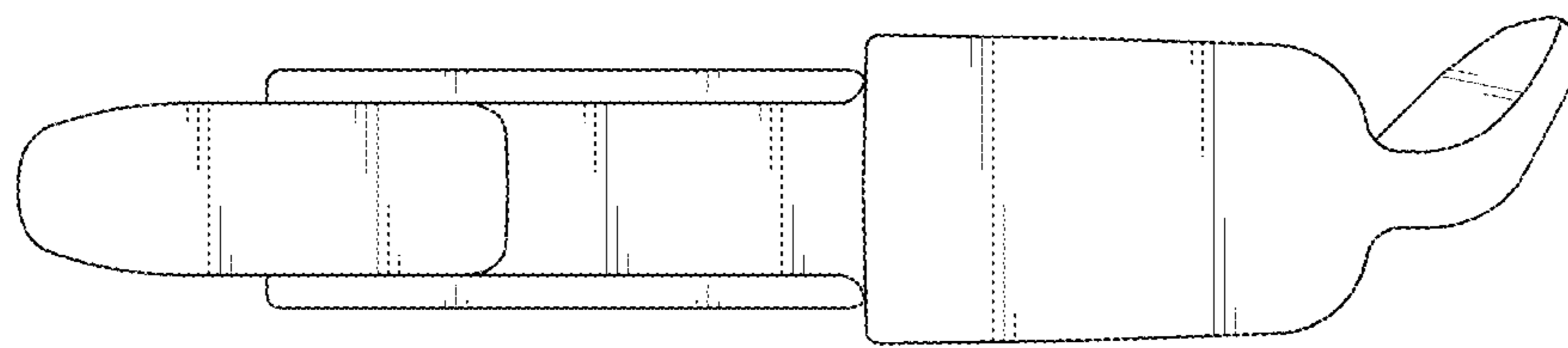


FIG.7

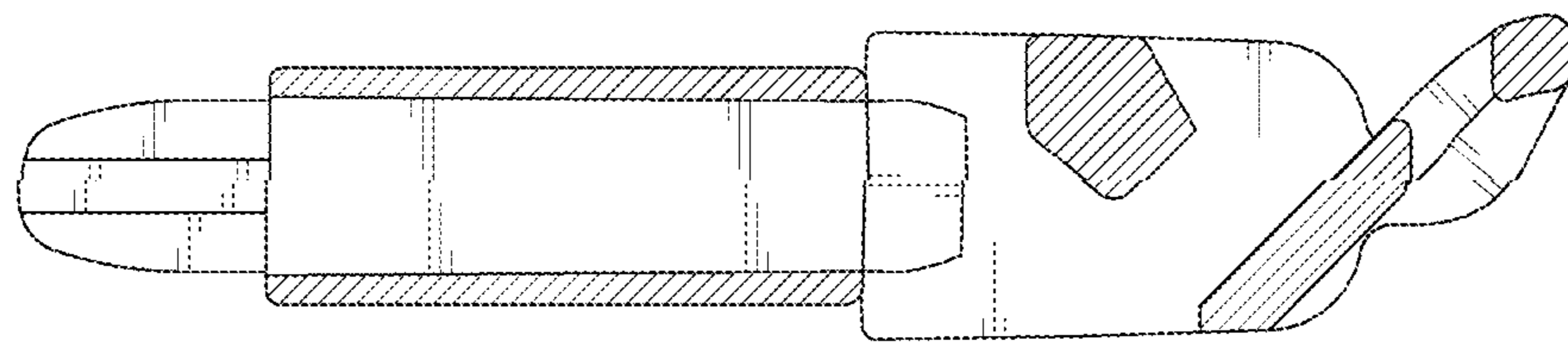


FIG.8

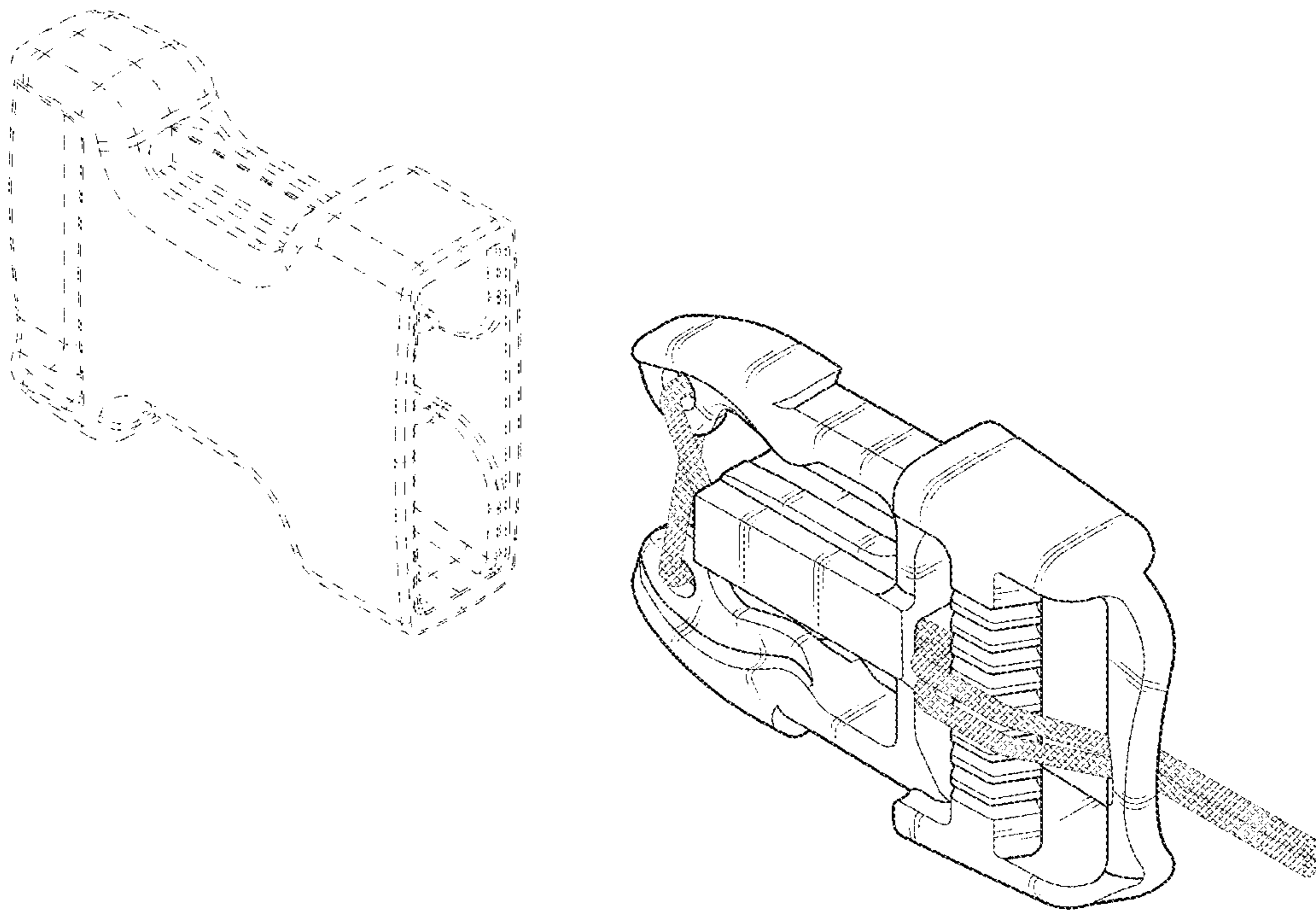


FIG. 9

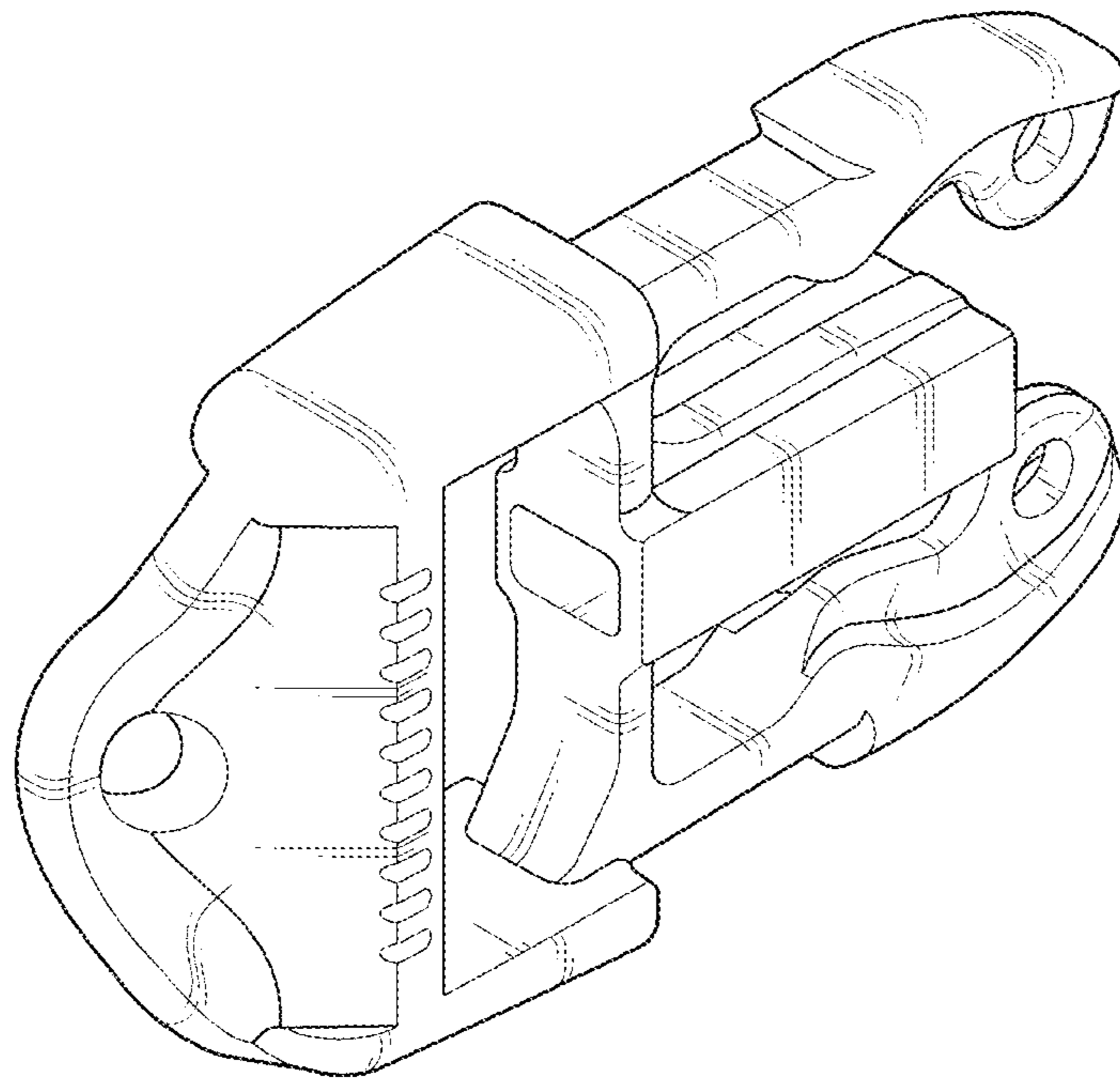


FIG.10