



US00D883854S

(12) **United States Design Patent** (10) **Patent No.:** **US D883,854 S**
Jin (45) **Date of Patent:** **** May 12, 2020**

(54) **FASTENING DEVICE**
(71) Applicant: **Qiuwang Jin**, Shenzhen (CN)
(72) Inventor: **Qiuwang Jin**, Shenzhen (CN)
(**) Term: **15 Years**
(21) Appl. No.: **29/713,316**
(22) Filed: **Nov. 15, 2019**
(51) **LOC (12) Cl.** **02-07**
(52) **U.S. Cl.**
USPC **D11/200; D8/349**
(58) **Field of Classification Search**
USPC D11/200, 212, 218, 219, 231, 234, 87,
D11/94; D8/349, 354, 355, 356, 382,
D8/383, 394, 44; D2/815, 835, 838, 843,
D2/624, 625, 627, 629; D29/100, 101.5
CPC A44B 11/00; A44B 11/02; A44B 11/065;
A44B 11/125; A44B 11/22; A44B 11/24;
A44B 11/2503; A44B 11/2534; A44B
11/2538; A44B 11/2553; A44B 11/2557;
A41F 9/00; A41F 9/002; A41F 9/005;
A41F 9/007; A41F 9/02; A41F 9/025;
A41F 1/008; A41F 1/00
See application file for complete search history.

(56) **References Cited**
U.S. PATENT DOCUMENTS
2,661,888 A * 12/1953 Sidlinger A62B 35/0031
182/3
2,893,394 A * 7/1959 Thomsen A61B 17/1327
606/203
3,099,331 A * 7/1963 Rose A47L 3/04
182/3
D216,075 S * 11/1969 D'Eliz D3/327
D381,888 S * 8/1997 Gonda D8/349
5,740,591 A * 4/1998 Hopkins A44B 11/12
24/164
D440,144 S 4/2001 Todd

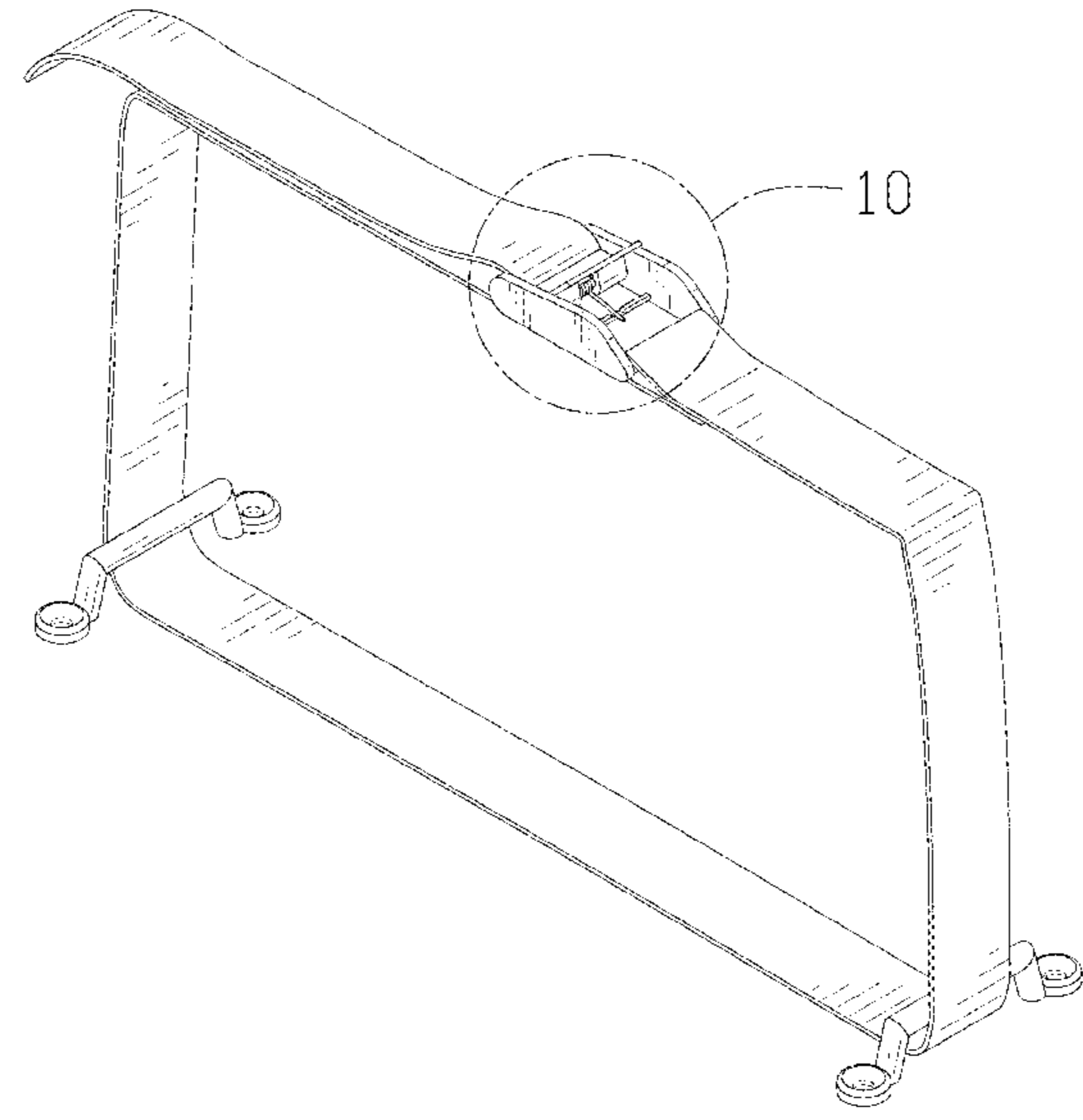
D480,535 S * 10/2003 Hammond D2/627
D500,393 S * 12/2004 Beacham D29/100
D564,761 S * 3/2008 McGlenn D3/327
D569,306 S * 5/2008 Taylor D11/200
D681,503 S * 5/2013 McDaniel D11/200
D732,743 S * 6/2015 LaCasse D29/100
D733,612 S * 7/2015 Mayer D11/200
D776,934 S * 1/2017 Braendle D3/327
D787,829 S * 5/2017 Kohn D3/327
D800,991 S * 10/2017 Gordon D2/627
D808,176 S * 1/2018 Reid D3/327
10,194,917 B1 * 2/2019 Carson A61B 17/1327
D843,731 S * 3/2019 Morelli D3/327
D859,842 S * 9/2019 Frank D3/327
(Continued)

Primary Examiner — Elizabeth J Oswecki

(57) **CLAIM**
The ornamental design for a fastening device, as shown and described.

DESCRIPTION
FIG. 1 is a front perspective view of a fastening device showing my new design;
FIG. 2 is a rear perspective view thereof;
FIG. 3 is a front elevational view thereof;
FIG. 4 is a rear elevational view thereof;
FIG. 5 is a left side elevational view thereof;
FIG. 6 is a right side elevational view thereof;
FIG. 7 is a top plan view thereof;
FIG. 8 is a bottom plan view thereof;
FIG. 9 is a perspective view thereof, shown in a used condition with a box in broken lines;
FIG. 10 is an enlarged view of a circled portion 10 of FIG. 1; and,
FIG. 11 is an enlarged view of a circled portion 11 of FIG. 7.
The broken lines in the drawings depict portions of the fastening device that form no part of the claimed design.

1 Claim, 11 Drawing Sheets



(56)

References Cited

U.S. PATENT DOCUMENTS

D861,350 S * 10/2019 Frank D3/327
2007/0062012 A1* 3/2007 Caison A44B 11/263
24/302
2011/0167540 A1* 7/2011 Little A41F 9/002
2/312

* cited by examiner

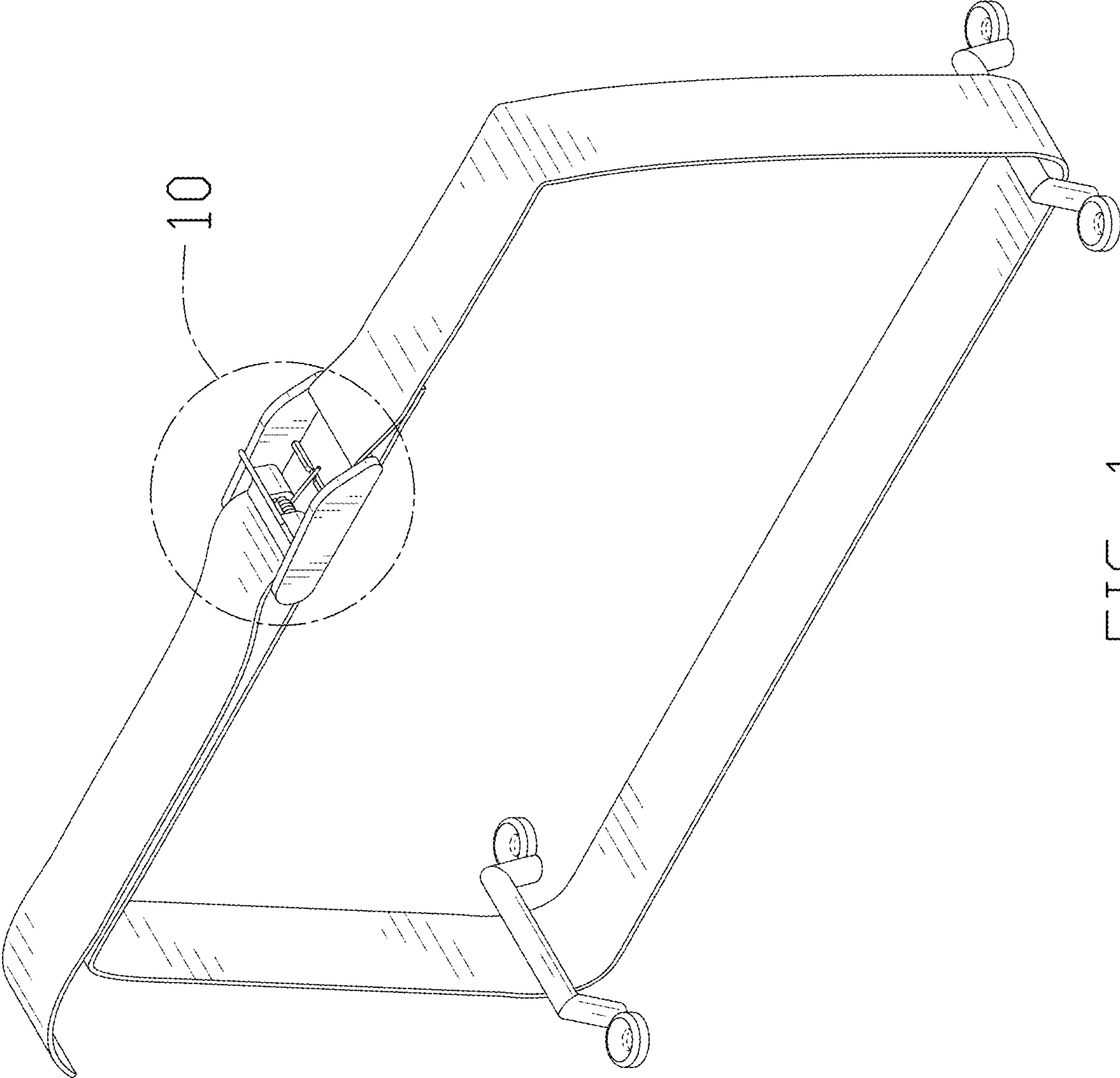


FIG. 1

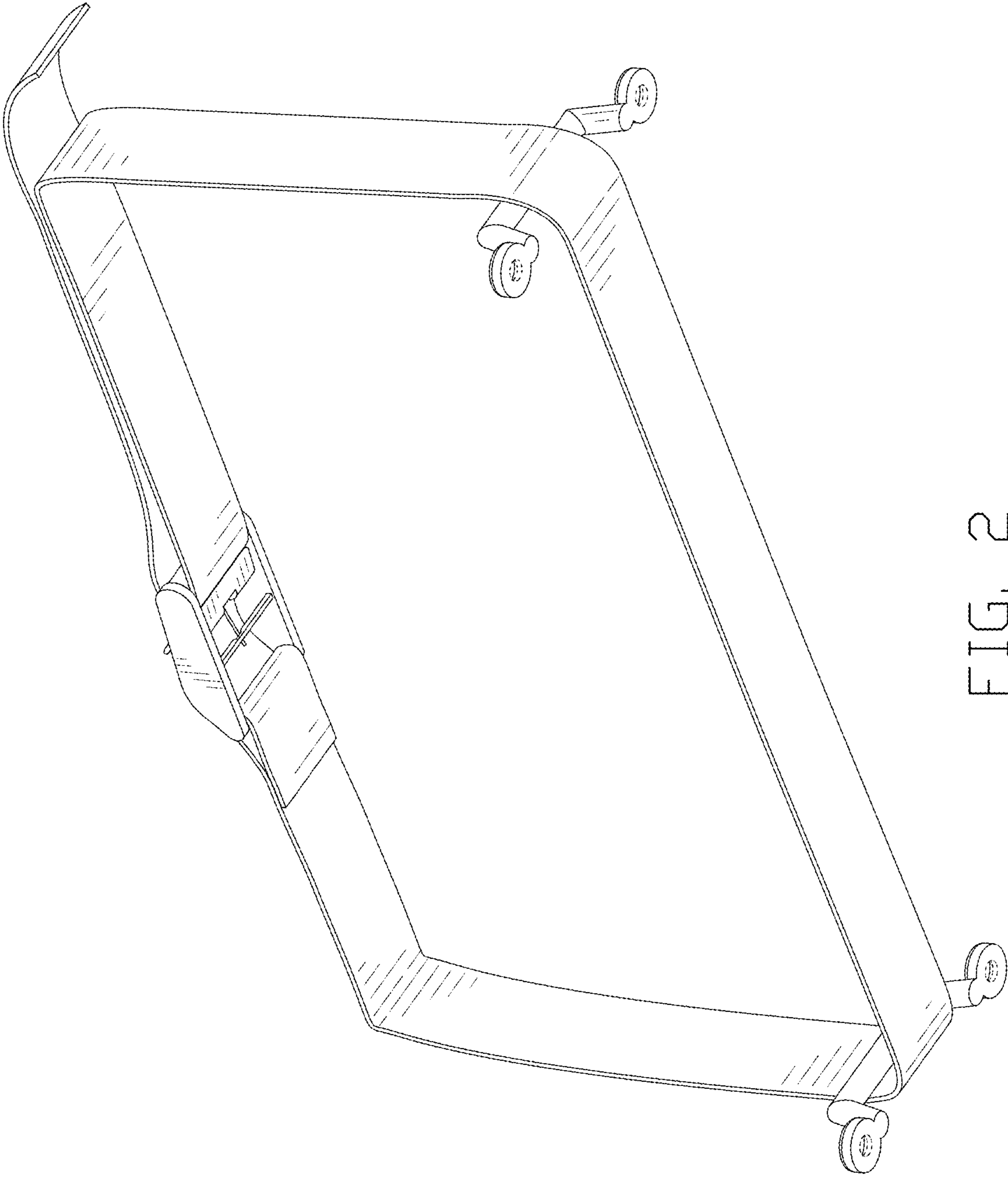


FIG. 2

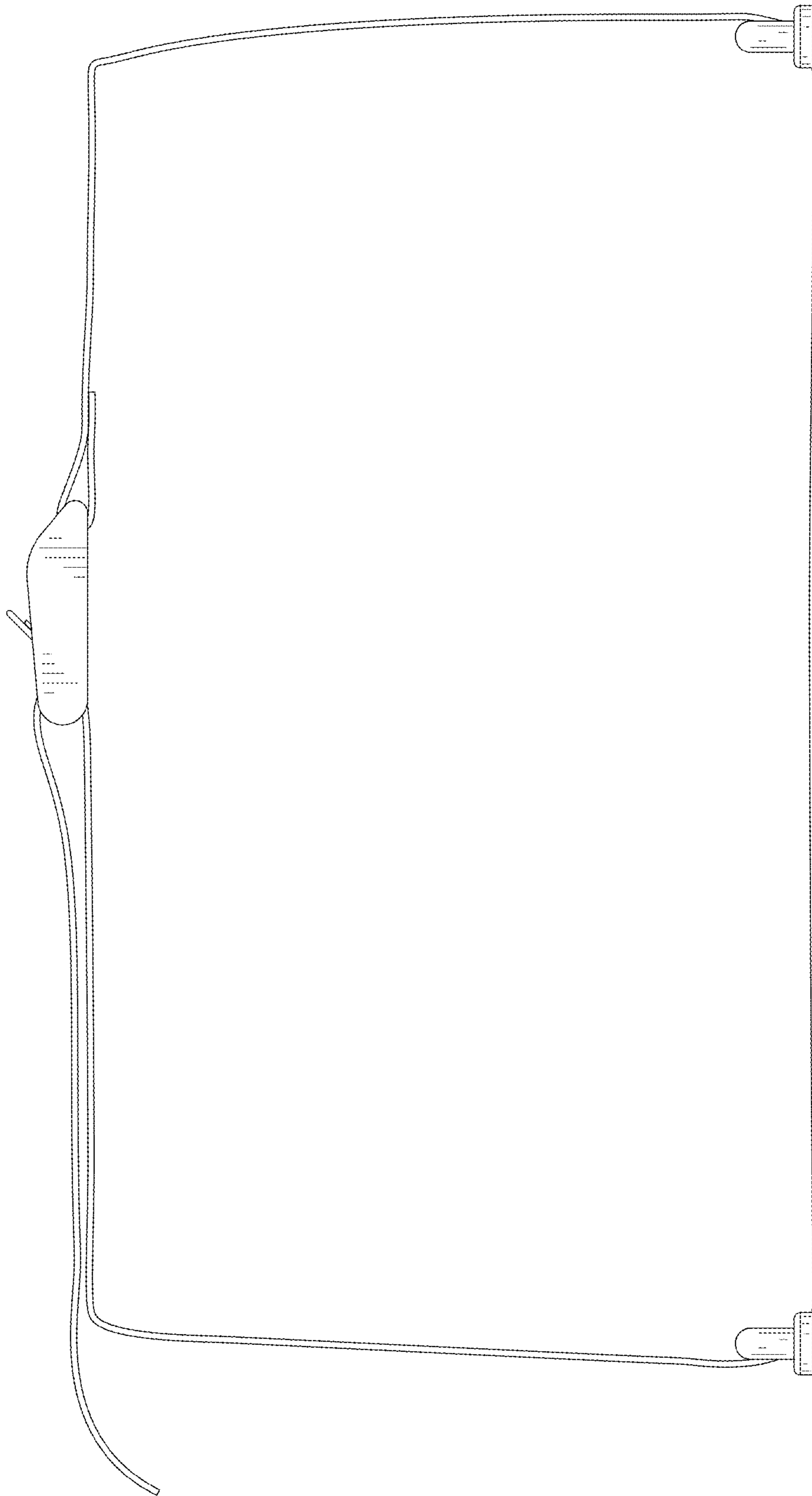


FIG. 3

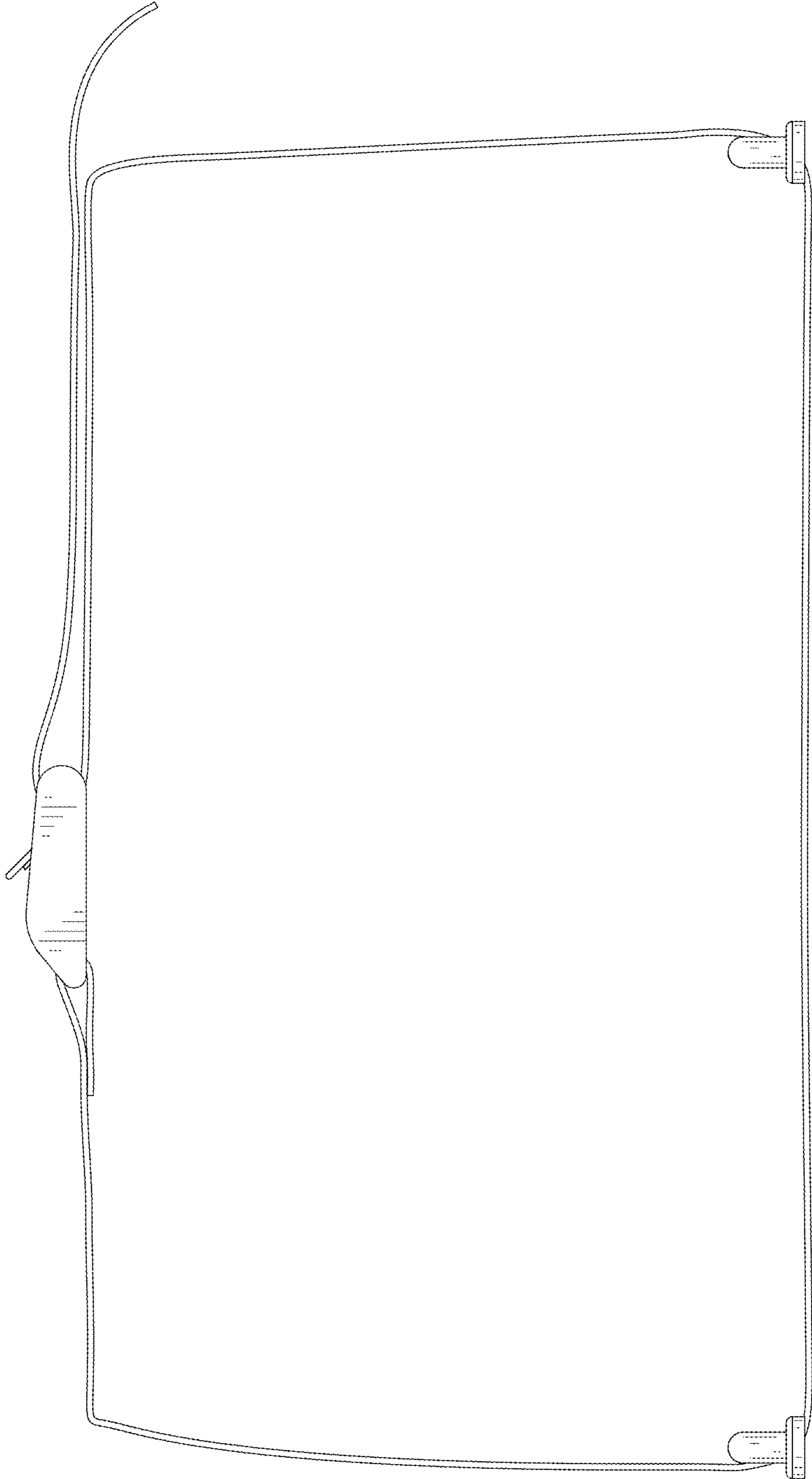


FIG. 4

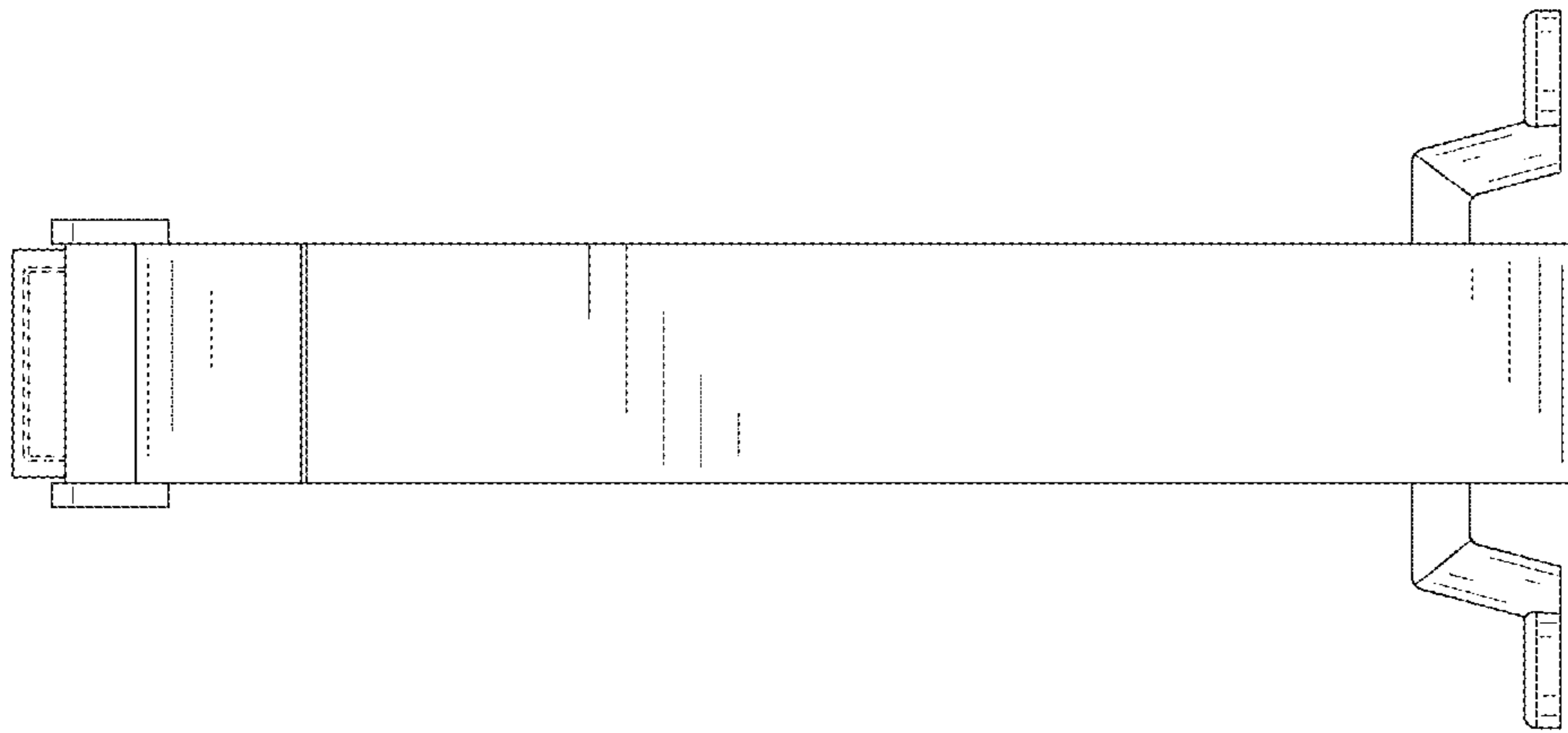


FIG. 5

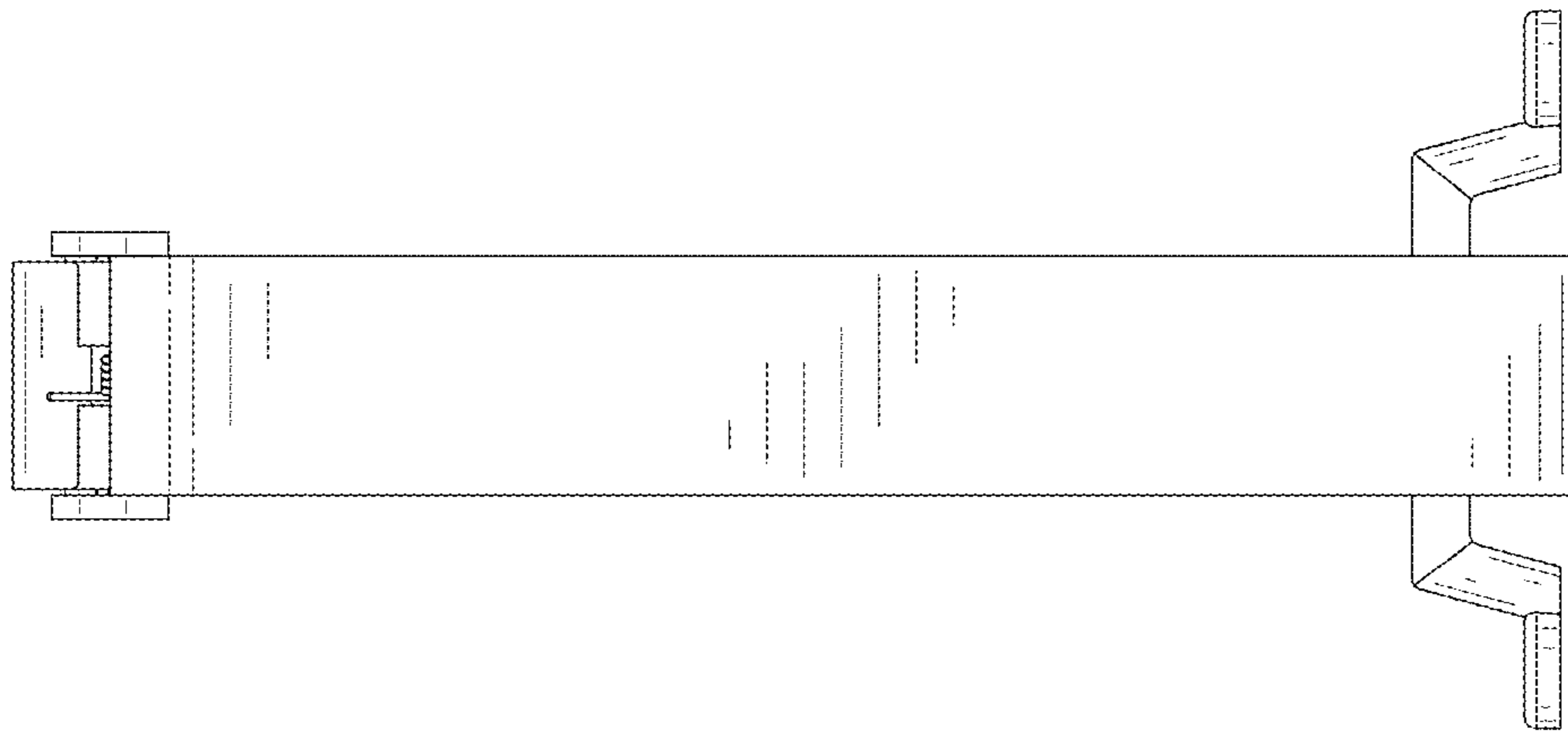


FIG. 6

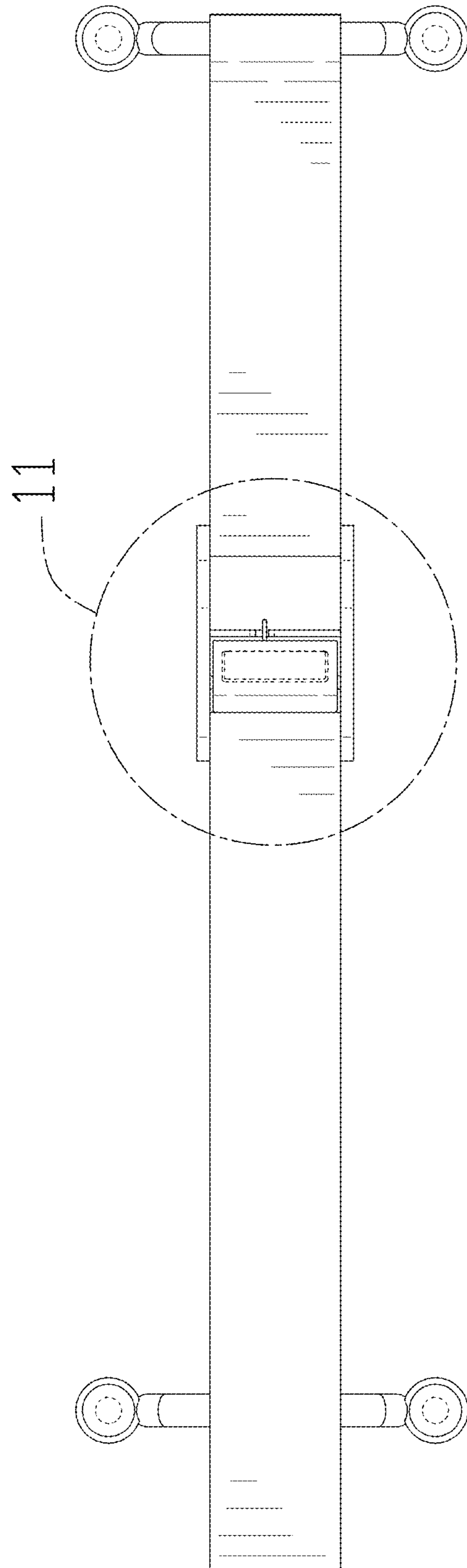


FIG. 7

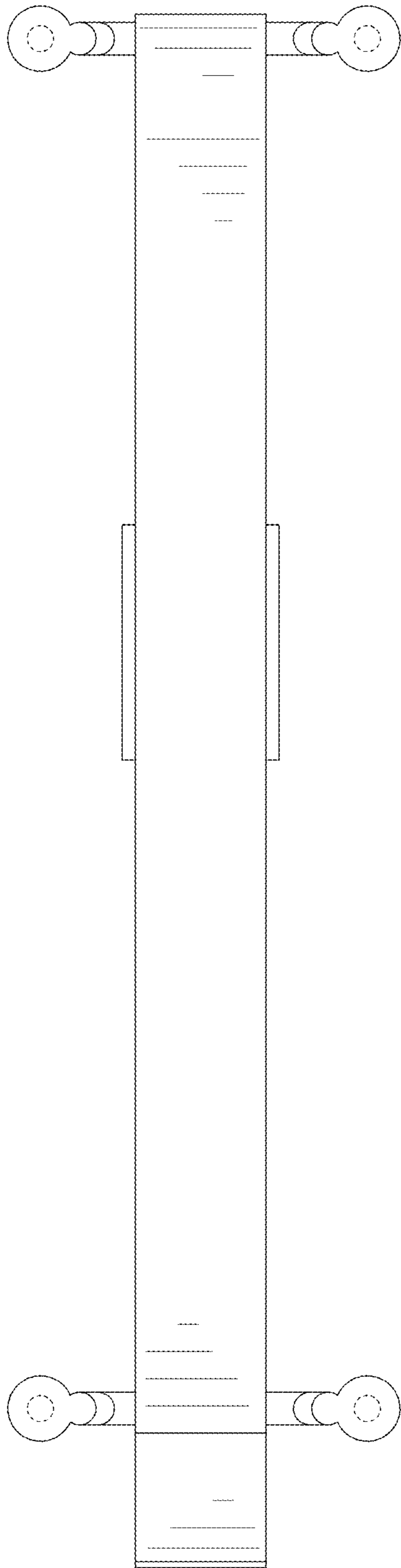


FIG. 8

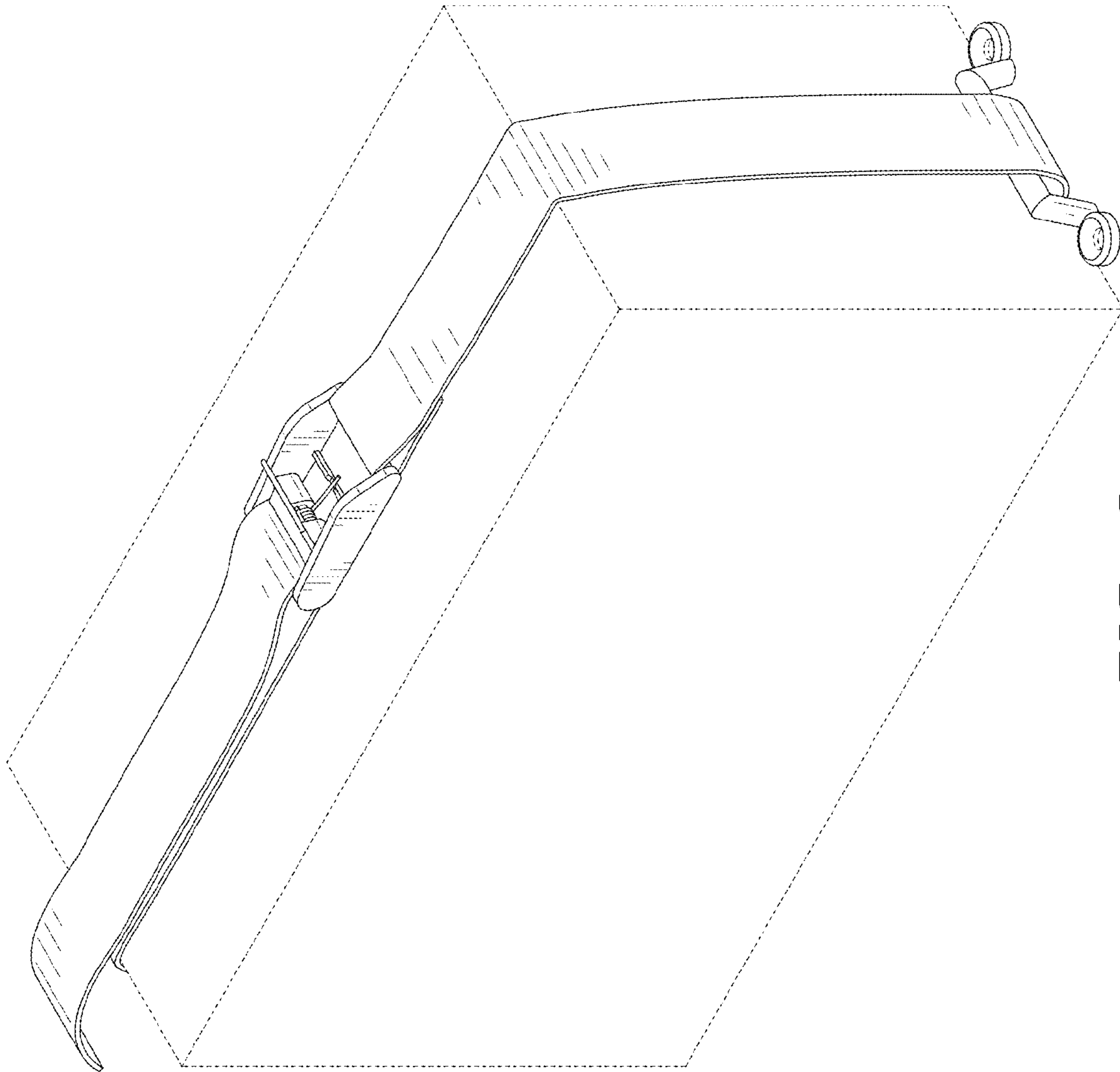


FIG. 9

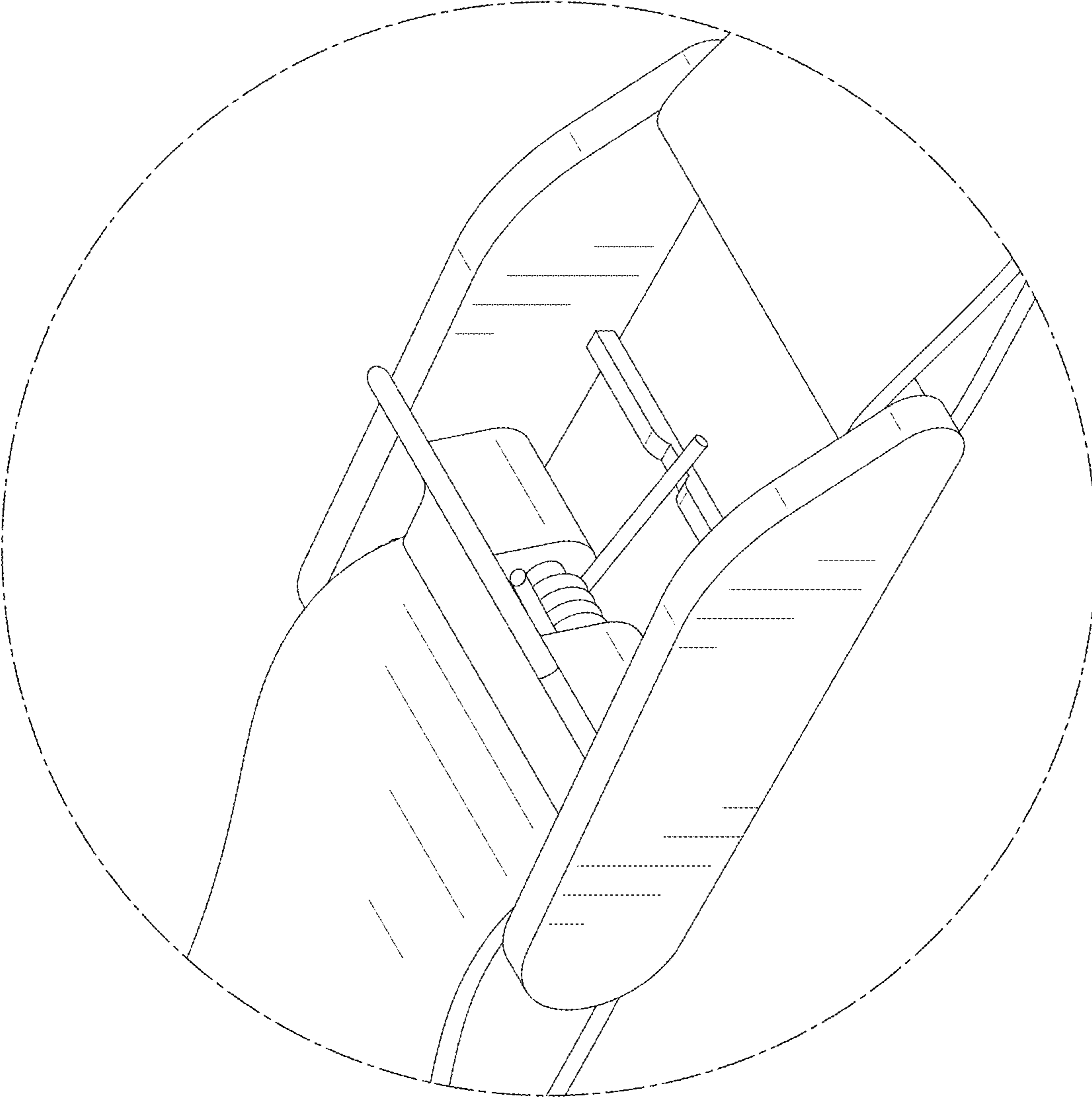


FIG. 10

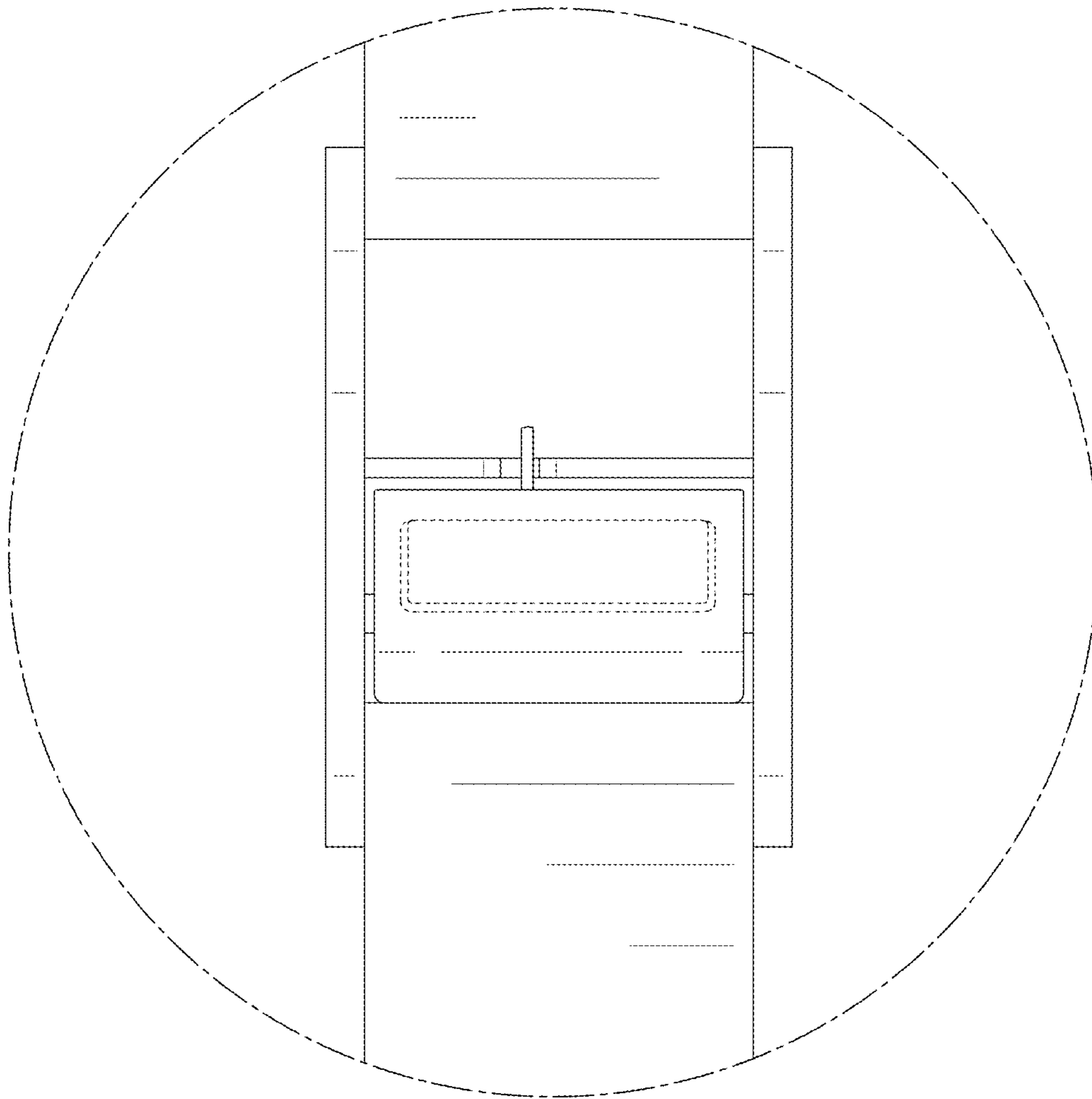


FIG. 11