



US00D883852S

(12) **United States Design Patent**
Miles et al.

(10) **Patent No.:** **US D883,852 S**
(45) **Date of Patent:** **** May 12, 2020**

(54) **WRISTBAND RIVET**

(71) Applicants: **David William Miles**, Castle Rock, CO (US); **Peter Caltagirone**, Castle Rock, CO (US); **John Egbert**, Castle Rock, CO (US)

(72) Inventors: **David William Miles**, Castle Rock, CO (US); **Peter Caltagirone**, Castle Rock, CO (US); **John Egbert**, Castle Rock, CO (US)

(73) Assignee: **Eternal Concepts, LLC**, Castle Rock, CO (US)

(**) Term: **15 Years**

(21) Appl. No.: **29/713,058**

(22) Filed: **Nov. 13, 2019**

(51) **LOC (12) Cl.** **11-01**

(52) **U.S. Cl.**
USPC **D11/113**

(58) **Field of Classification Search**
USPC D11/1, 2, 86, 113, 222; D3/203.1, 203.2, D3/203.6, 203.212, 215, 229, 316, 901; D8/312, 386, 387; 13/182

(Continued)

(56) **References Cited**

U.S. PATENT DOCUMENTS

1,500,053 A 7/1924 Cohn et al.
1,779,227 A 10/1930 Daughaday

(Continued)

Primary Examiner — Zenia I Bennett

(74) *Attorney, Agent, or Firm* — Dunlap Bennett & Ludwig PLLC

(57) **CLAIM**

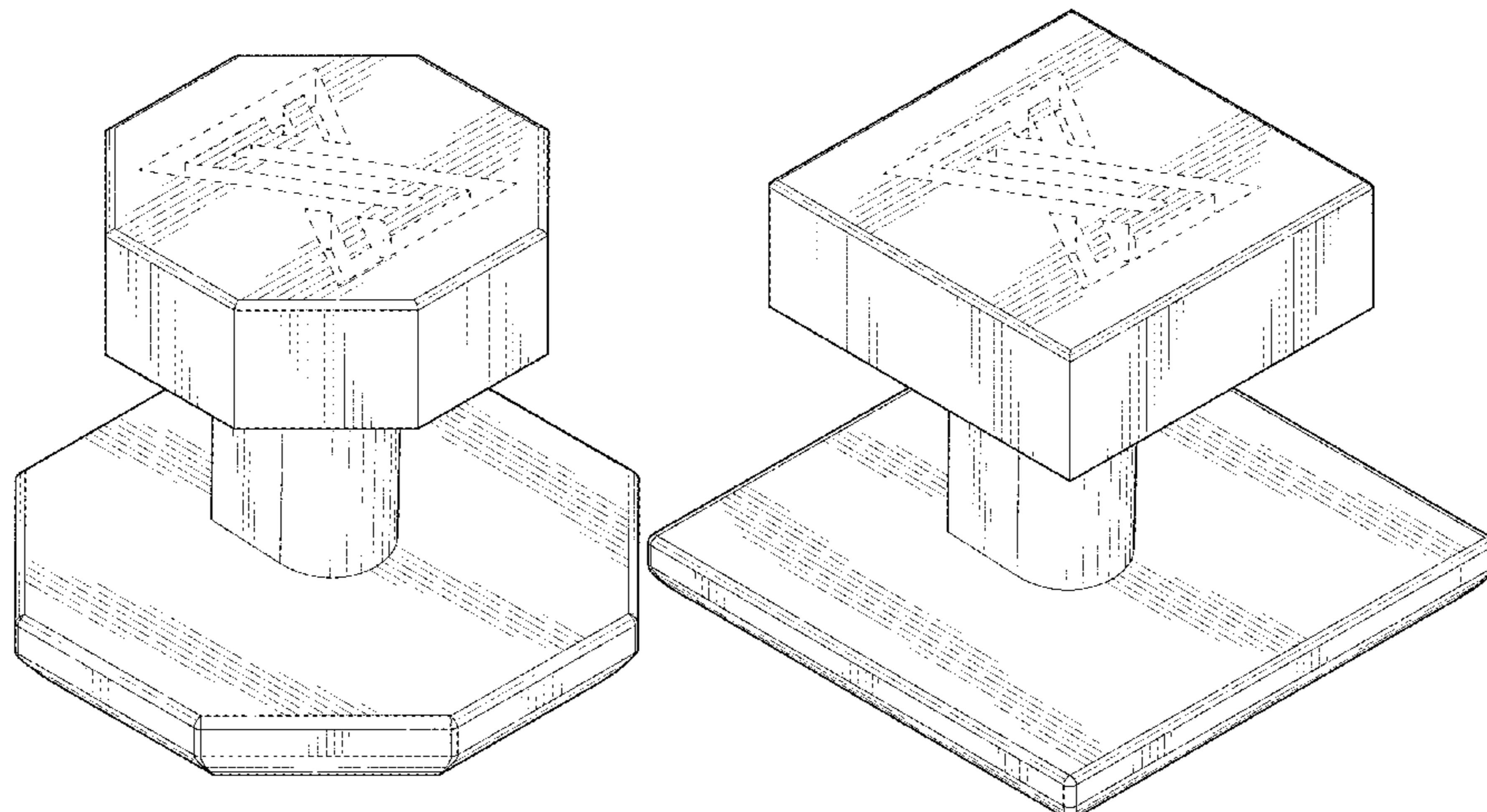
The ornamental design for a wristband rivet, as shown and described.

DESCRIPTION

FIG. 1 is a top perspective view of a first embodiment of a wristband rivet, showing our new design;

FIG. 2 is a right-side elevation view of FIG. 1; FIG. 3 is a left-side elevation view of FIG. 1; FIG. 4 is a rear elevation view of FIG. 1; FIG. 5 is a front elevation view of FIG. 1; FIG. 6 is a top plan view of FIG. 1; FIG. 7 is a bottom plan view of FIG. 1; FIG. 8 is a reduced perspective view of the first embodiment of the wristband rivet, showing our new design in use; FIG. 9 is a top perspective view of a second embodiment of a wristband rivet, showing our new design; FIG. 10 is a right-side elevation view of FIG. 9; FIG. 11 is a left-side elevation view of FIG. 9; FIG. 12 is a rear elevation view of FIG. 9; FIG. 13 is a front elevation view of FIG. 9; FIG. 14 is a top plan view of FIG. 9; FIG. 15 is a bottom plan view of FIG. 9; FIG. 16 is a reduced perspective view of the second embodiment of the wristband rivet, showing our new design in use; FIG. 17 is a top perspective view of a third embodiment of a wristband rivet, showing our new design; FIG. 18 is a right-side elevation view of FIG. 17; FIG. 19 is a left-side elevation view of FIG. 17; FIG. 20 is a rear elevation view of FIG. 17; FIG. 21 is a front elevation view of FIG. 17; FIG. 22 is a top plan view of FIG. 17; FIG. 23 is a bottom plan view of FIG. 17; FIG. 24 is a reduced perspective view of the third embodiment of the wristband rivet, showing our new design in use; FIG. 25 is a top perspective view of a fourth embodiment of a wristband rivet, showing our new design; FIG. 26 is a right-side elevation view of FIG. 25; FIG. 27 is a left-side elevation view of FIG. 25; FIG. 28 is a rear elevation view of FIG. 25; FIG. 29 is a front elevation view of FIG. 25; FIG. 30 is a top plan view of FIG. 25; FIG. 31 is a bottom plan view of FIG. 25; and, FIG. 32 is a reduced perspective view of the fourth embodiment of the wristband rivet, showing our new design in use. The broken lines showing wristbands depicts environmental subject matter that forms no part of the claimed design, while the remaining broken lines shown in the drawings depict portions of the wristband rivet that form no part of the claimed design.

1 Claim, 20 Drawing Sheets



(58) **Field of Classification Search**
 CPC A45D 40/18; A45D 40/222; A45D
 2040/0012; A45C 11/16; B65D 25/108;
 B65D 43/22; B65D 43/18
 See application file for complete search history.

(56) **References Cited**

U.S. PATENT DOCUMENTS

1,931,326	A	10/1933	Raible	
2,665,465	A	1/1954	Albrecht	
D280,795	S *	10/1985	Jordan	D8/14
D354,720	S	1/1995	Estes	
D367,813	S *	3/1996	Halstrom	D8/386
D377,898	S *	2/1997	Frame	D8/386
D377,919	S	2/1997	Singer et al.	
D396,660	S	8/1998	Ricci	
D397,064	S	8/1998	Nelson	
D432,947	S	10/2000	Granshaw	
D448,279	S *	9/2001	Powell	D8/386
D592,946	S *	5/2009	Johnson	D8/386
D625,659	S	10/2010	Sawyer	
D654,354	S *	2/2012	Jeon	D8/387
D664,473	S	7/2012	Crye et al.	
D665,987	S *	8/2012	El	D2/976
D665,989	S *	8/2012	El	D2/976
D675,906	S *	2/2013	Erickson	D8/386

D685,436	S	7/2013	Menting	
D685,437	S	7/2013	Menting	
D687,106	S	7/2013	Menting	
D698,333	S	1/2014	Kolton	
D705,326	S	5/2014	Huschka	
D705,331	S	5/2014	Huschka	
D708,040	S	7/2014	Han	
D708,096	S	7/2014	Lasserre	
D712,307	S	9/2014	Wang et al.	
D714,680	S	10/2014	Prusinowski	
D717,151	S	11/2014	Ramsland et al.	
D717,207	S	11/2014	Fondas et al.	
D726,590	S	4/2015	Riviere	
D729,690	S	5/2015	Riviere	
D738,833	S	9/2015	Quintana	
D761,158	S	7/2016	Riviere	
D768,538	S	10/2016	Chen et al.	
D771,469	S	11/2016	Zimmer	
D771,470	S	11/2016	Zimmer	
D772,687	S	11/2016	Zimmer et al.	
D785,501	S	5/2017	Ricci	
D792,281	S	7/2017	Zander	
D798,191	S	9/2017	Zander	
D808,851	S	1/2018	Kwon	
D811,935	S	3/2018	Hughes	
D835,744	S	12/2018	Lazar et al.	
D853,664	S	7/2019	Ritchey	

* cited by examiner

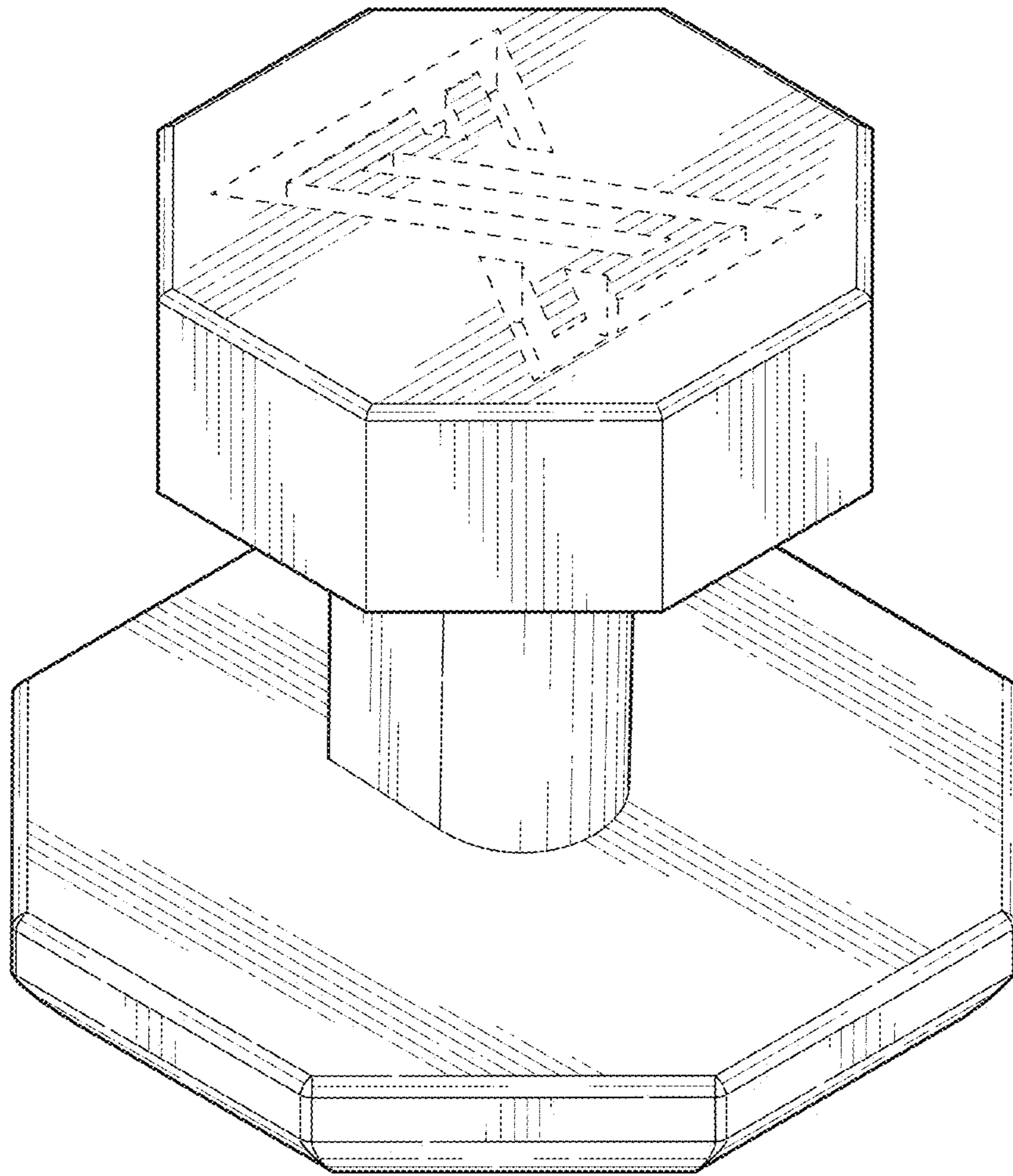


FIG. 1

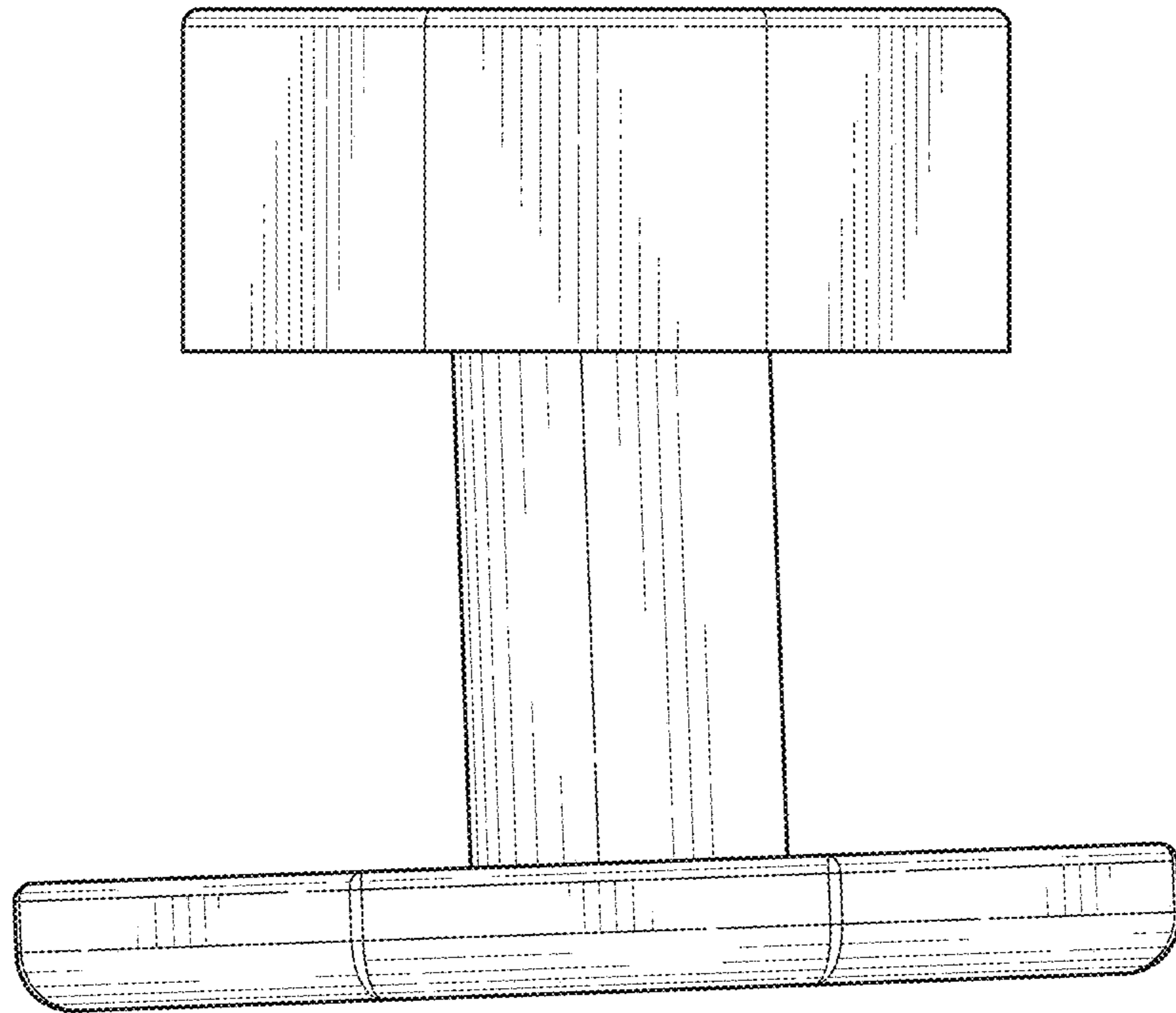


FIG. 2

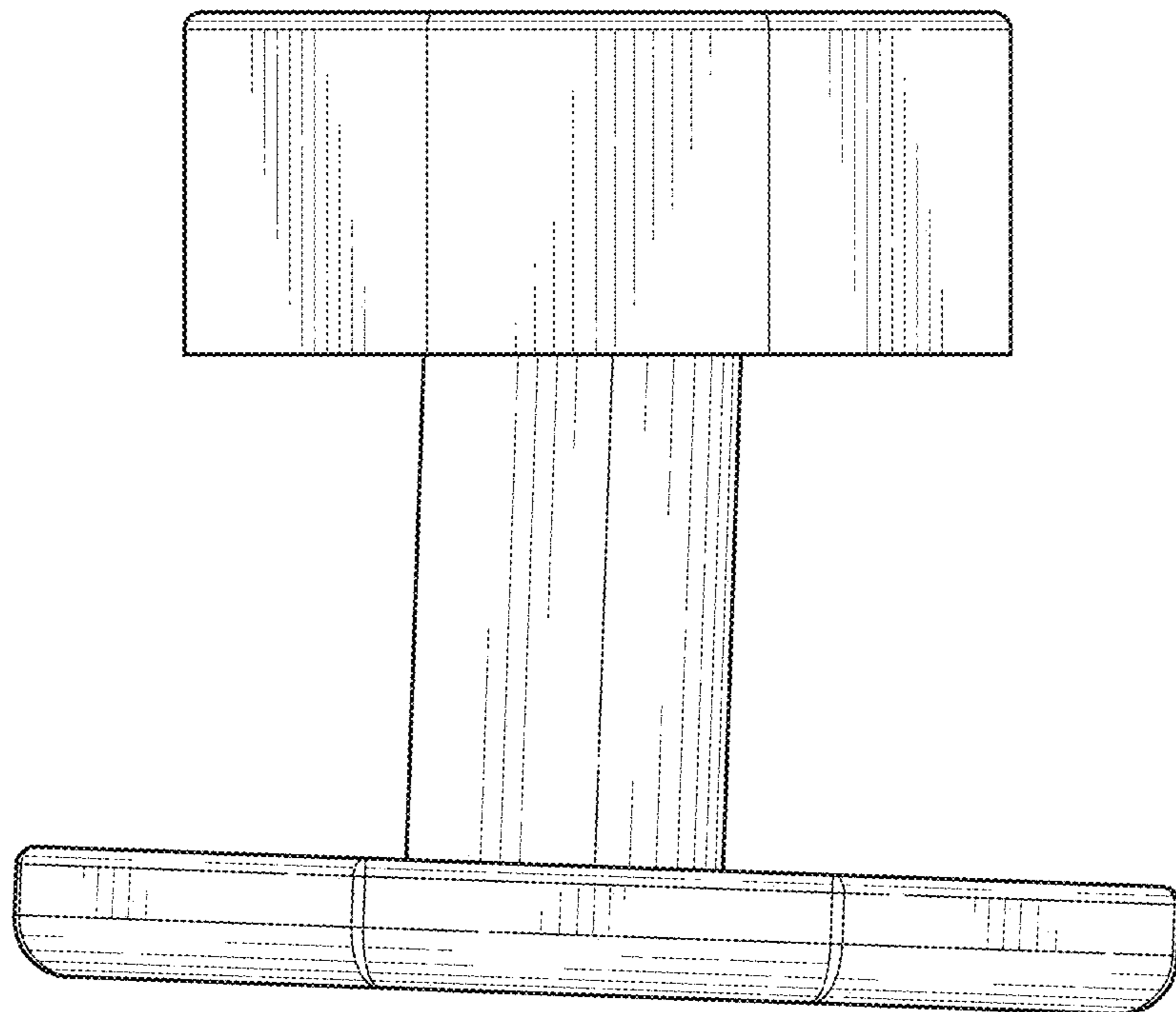


FIG. 3

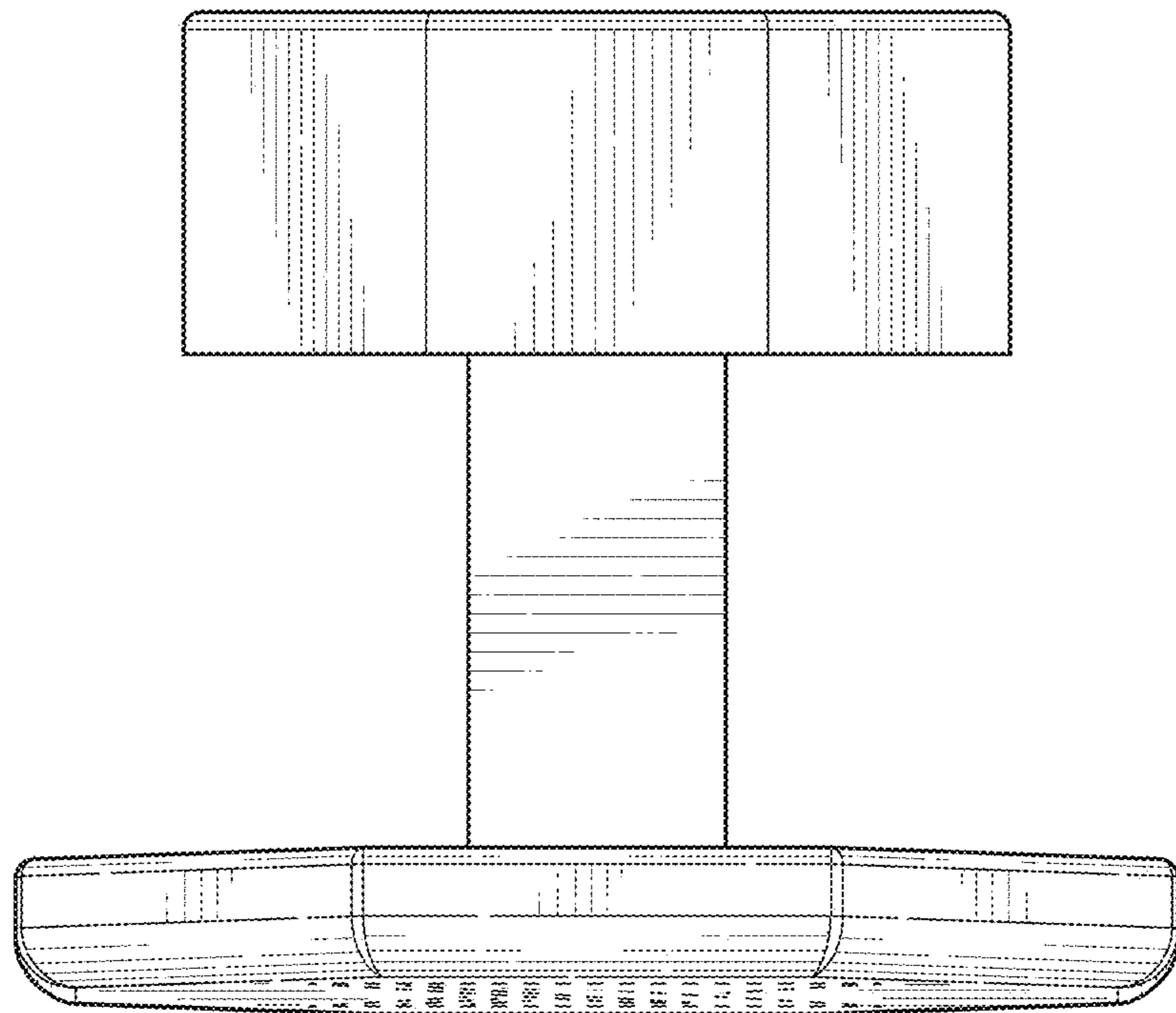


FIG. 4

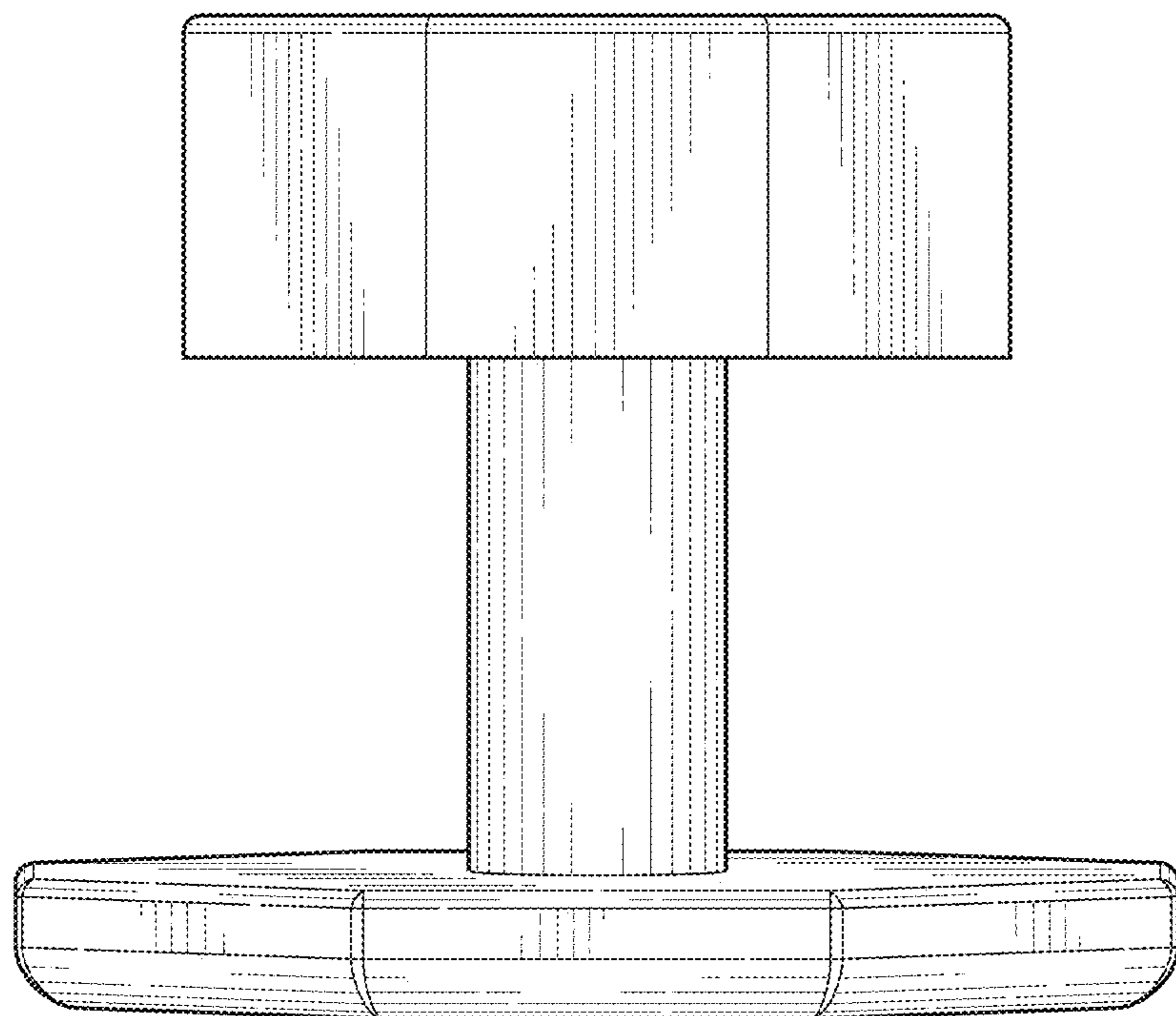


FIG. 5

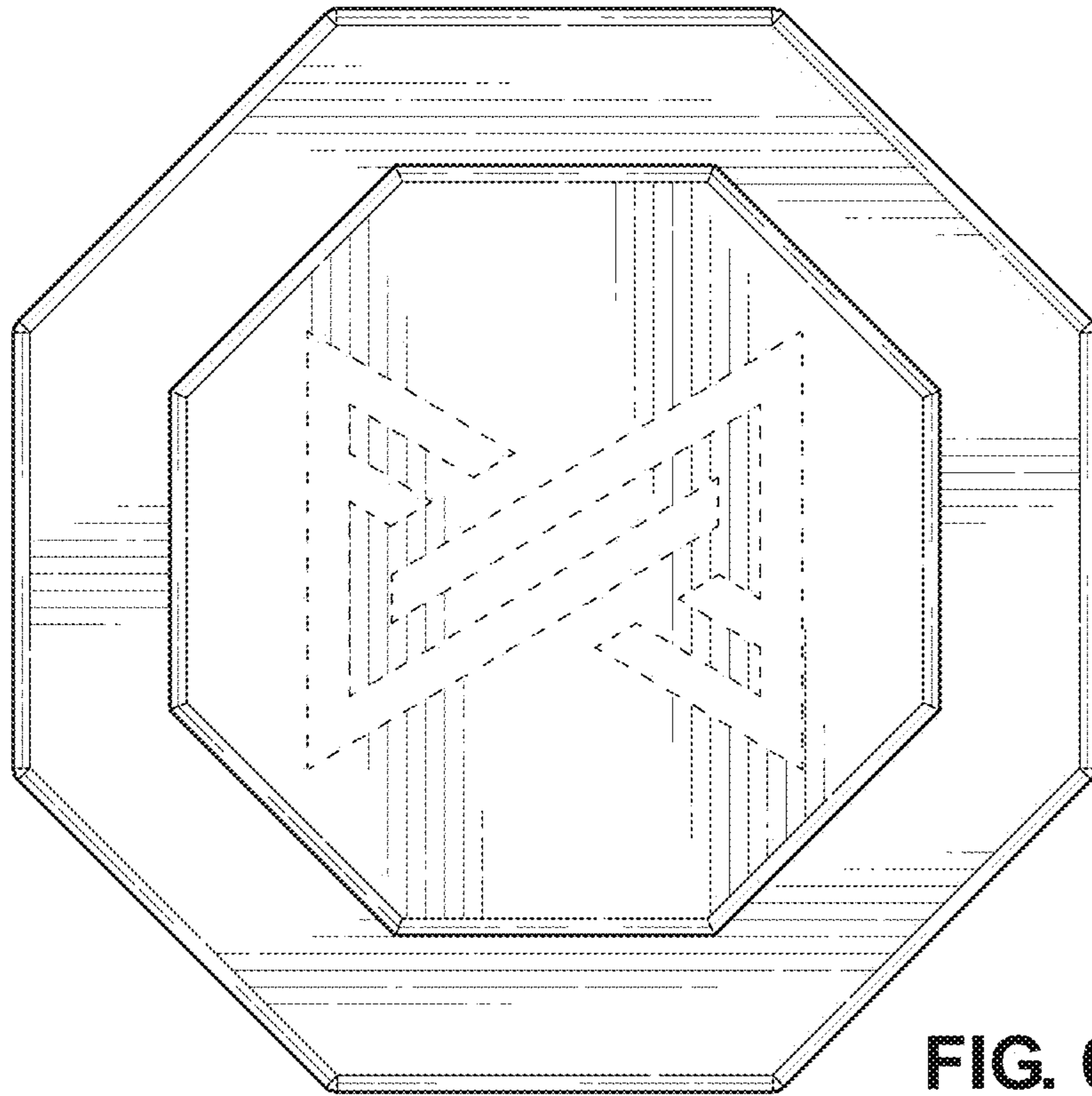


FIG. 6

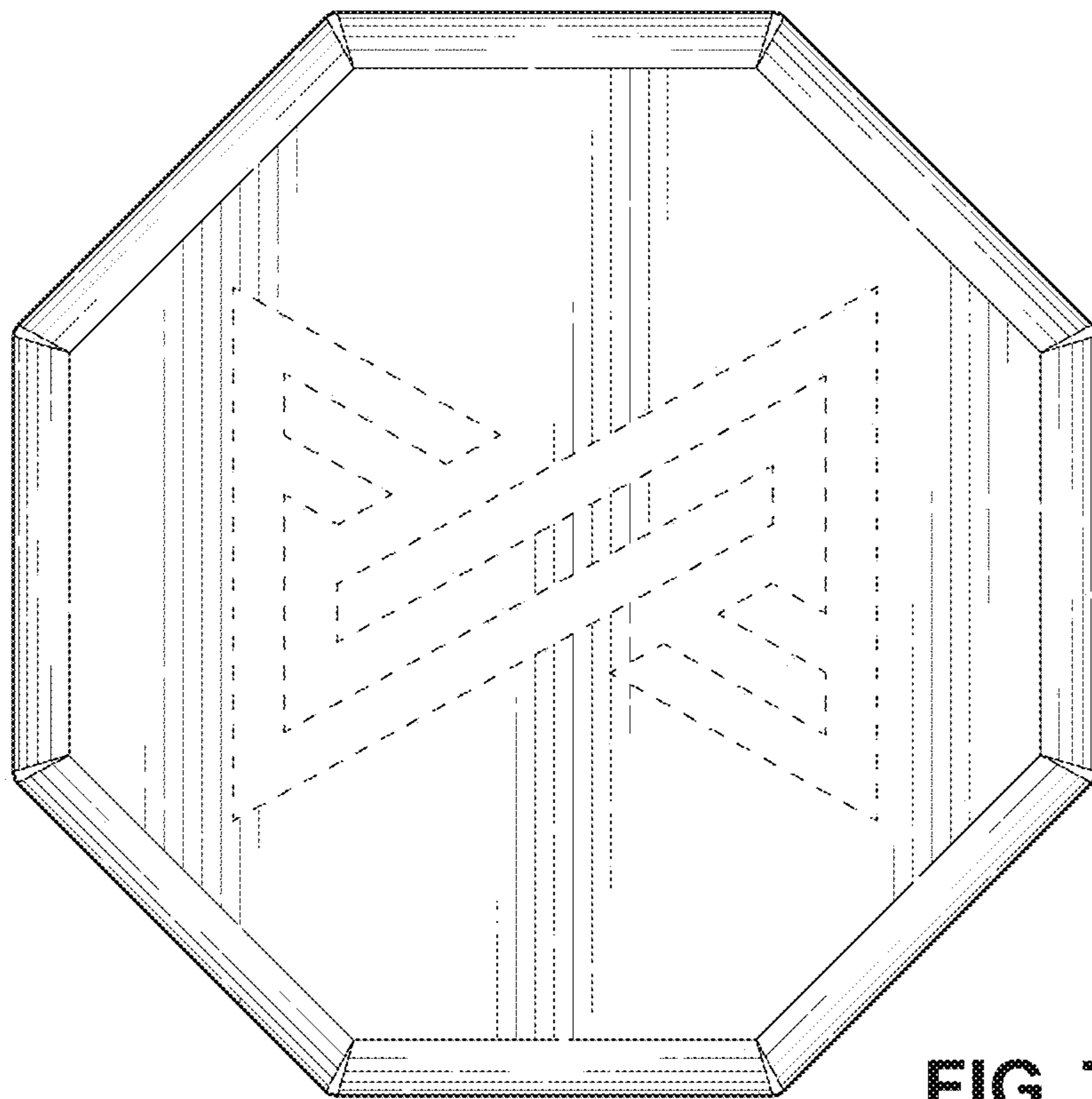


FIG. 7

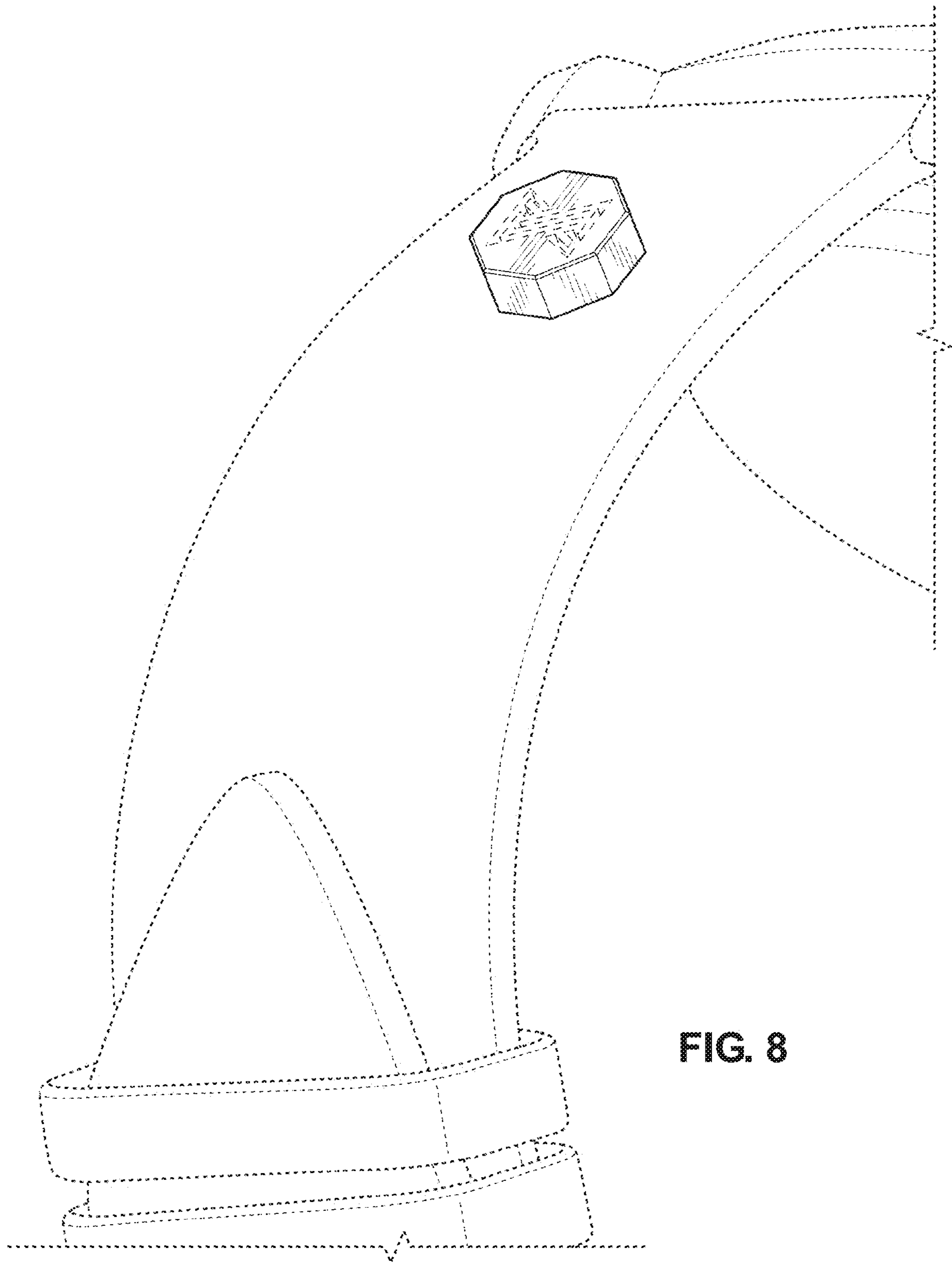


FIG. 8

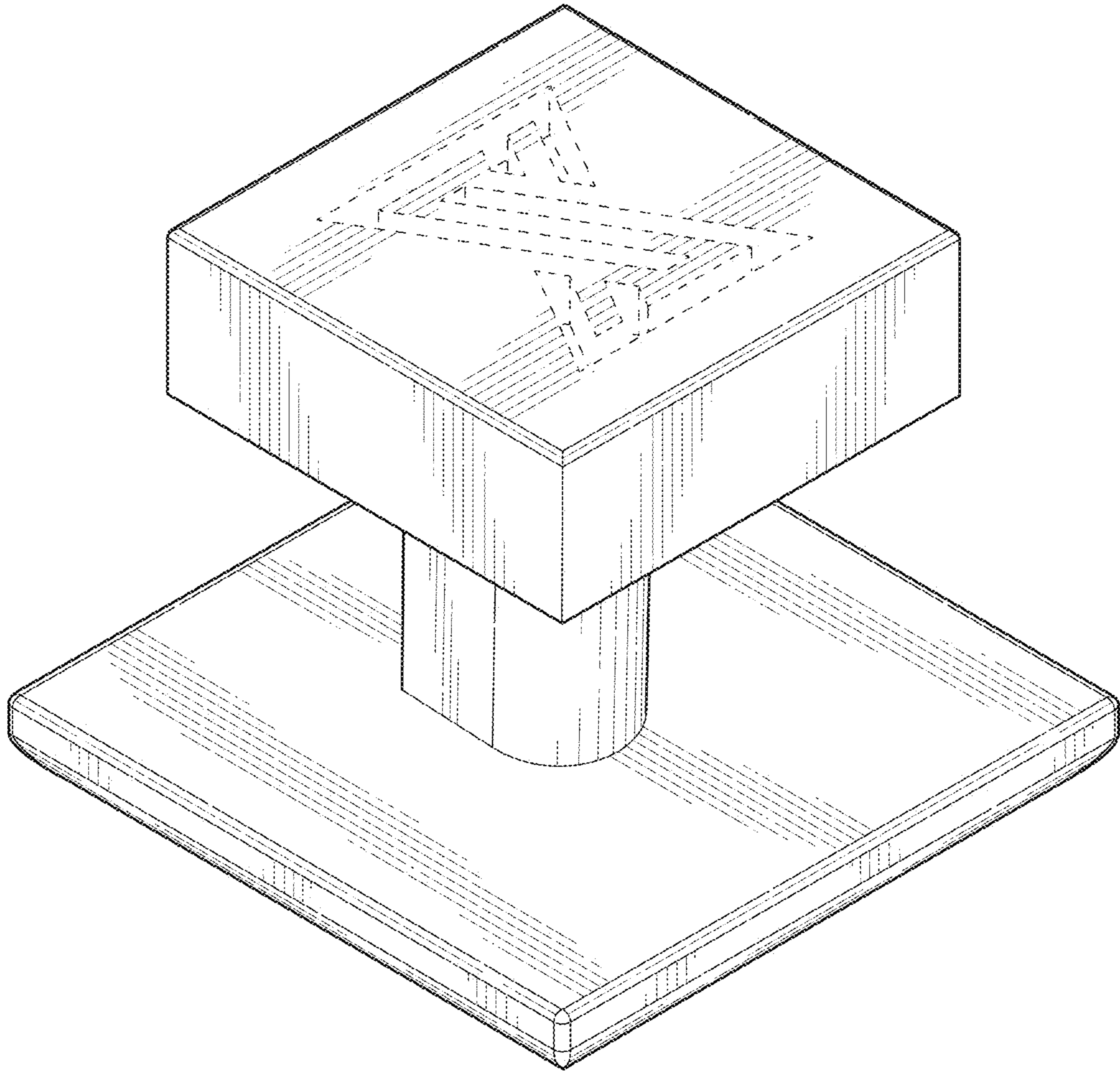


FIG. 9

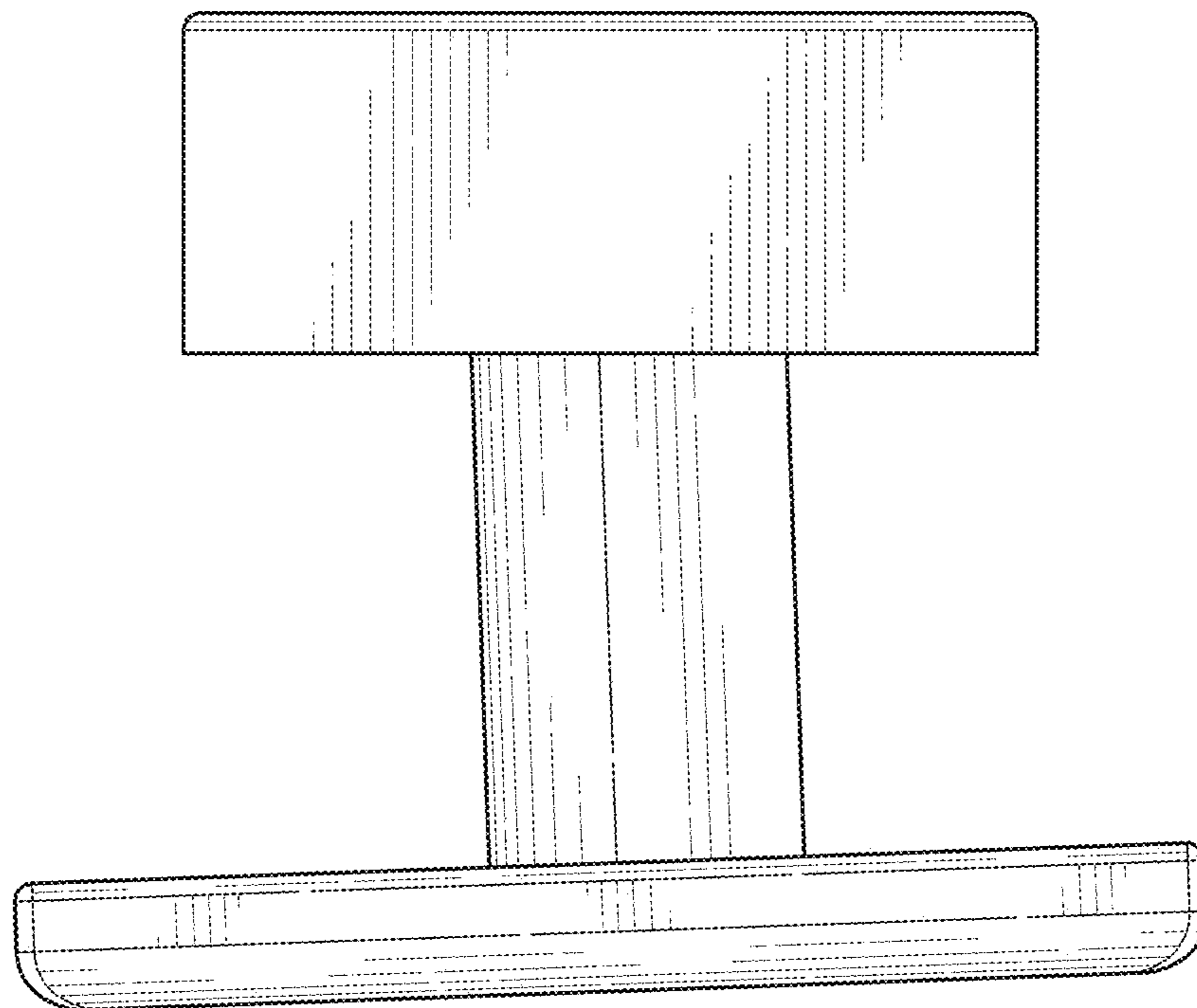


FIG. 10

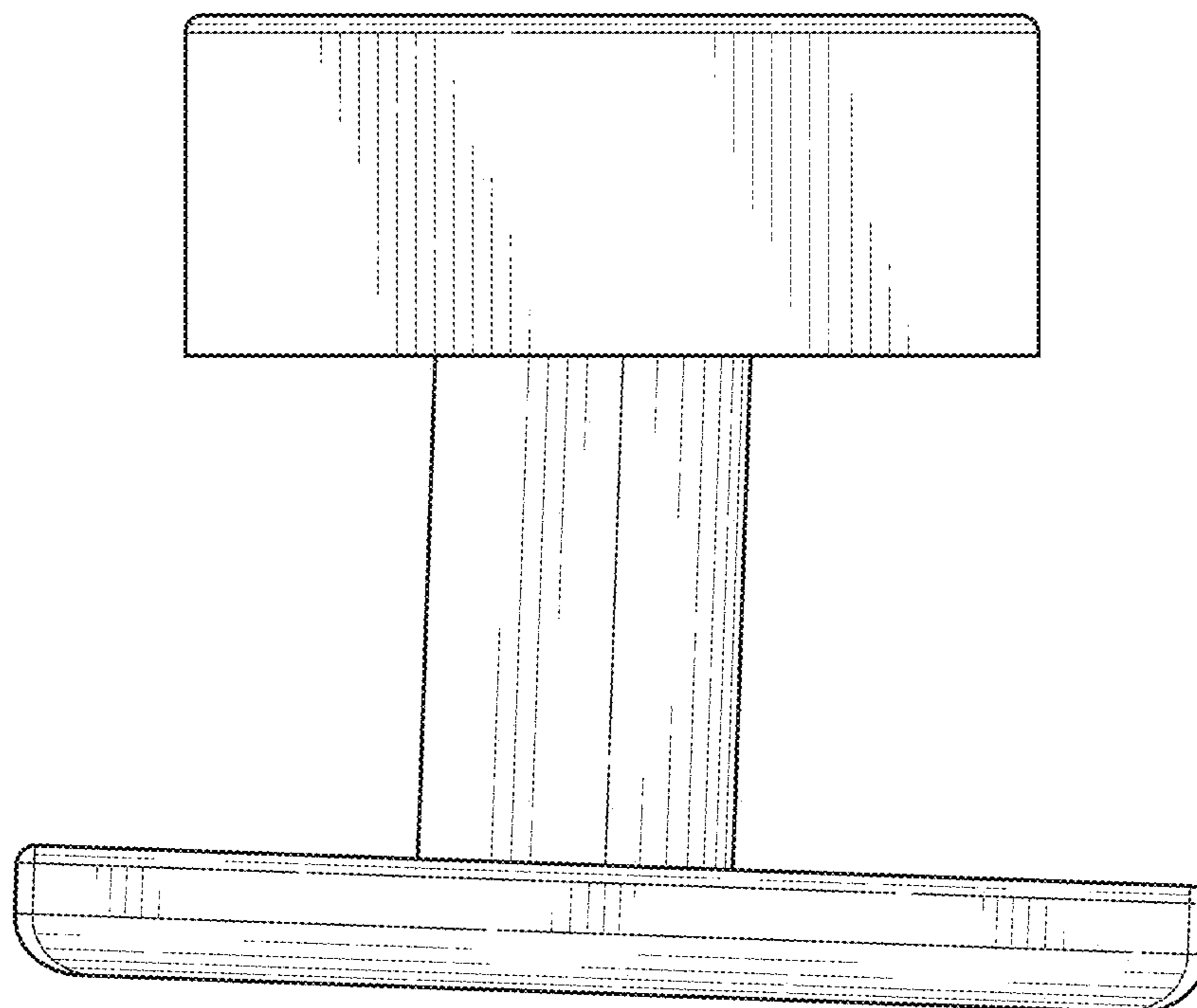


FIG. 11

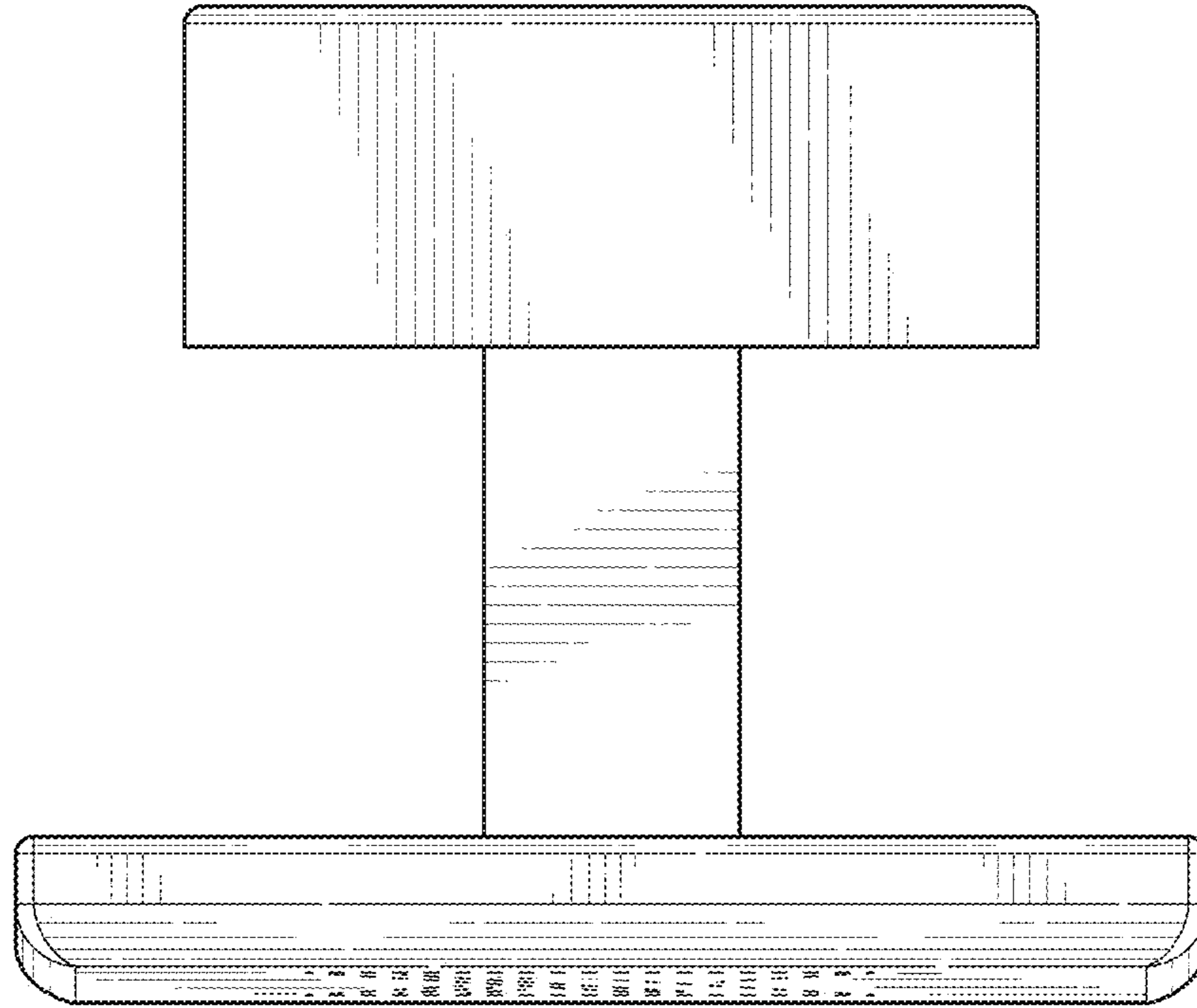


FIG. 12

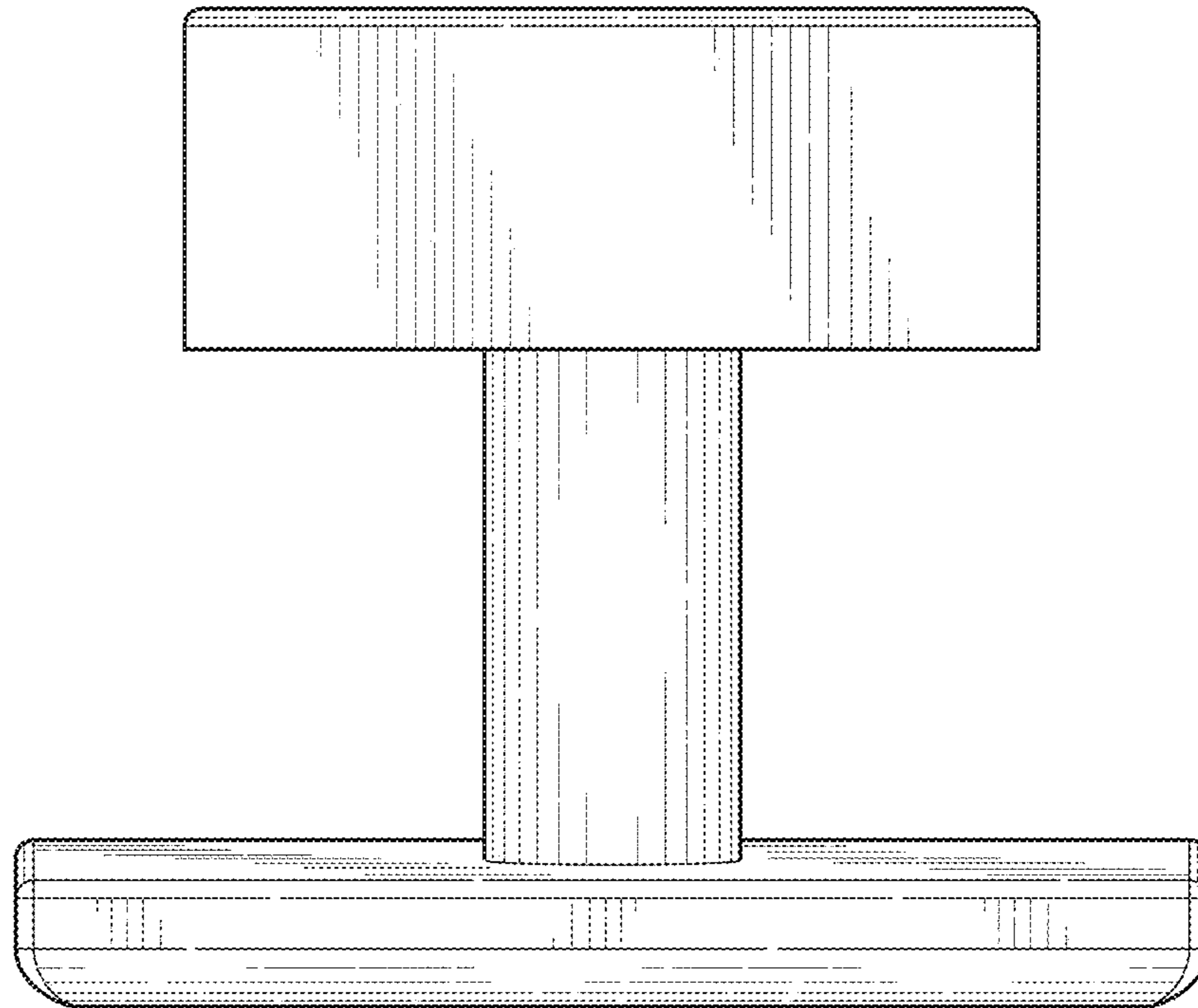


FIG. 13

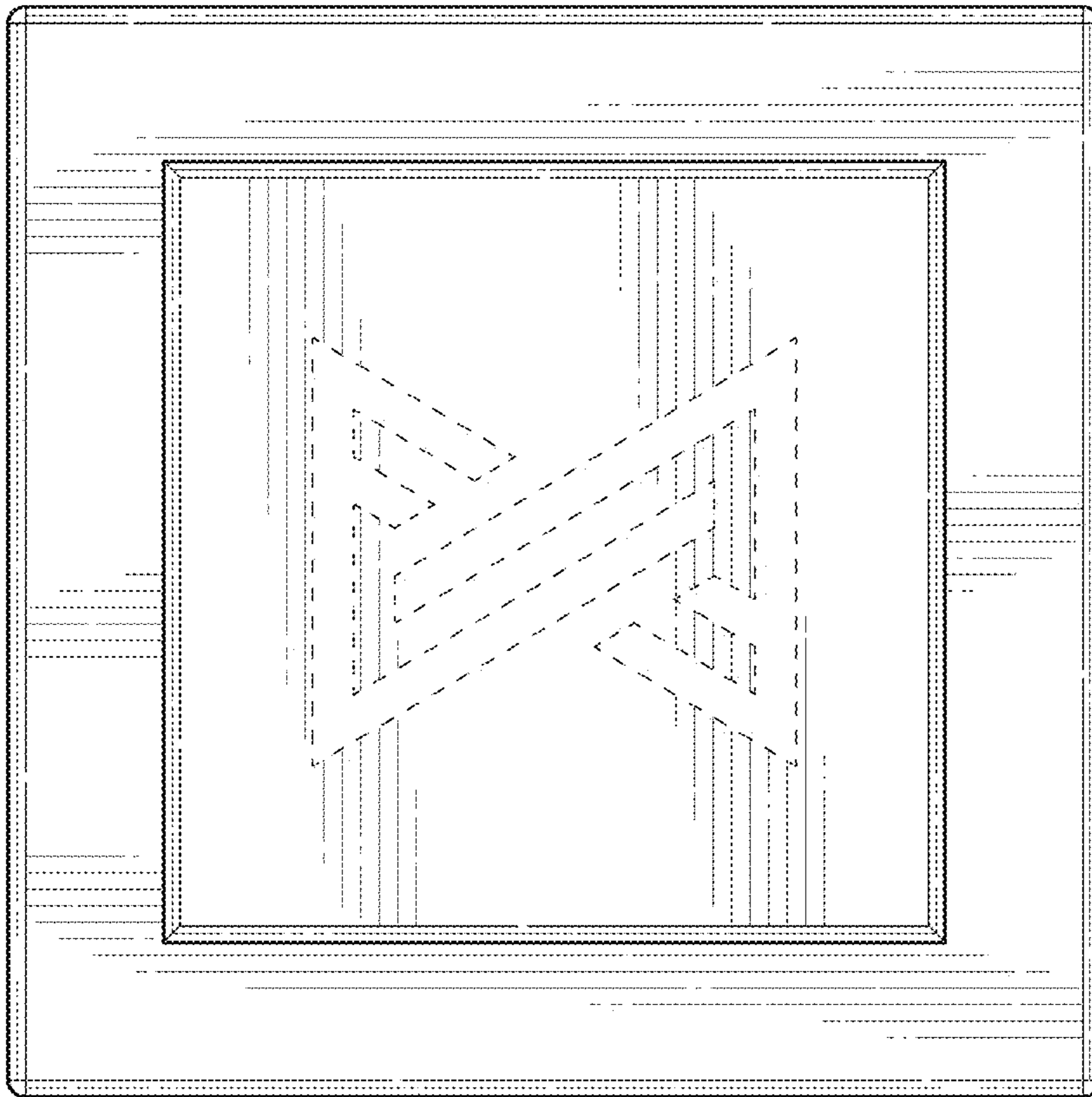


FIG. 14

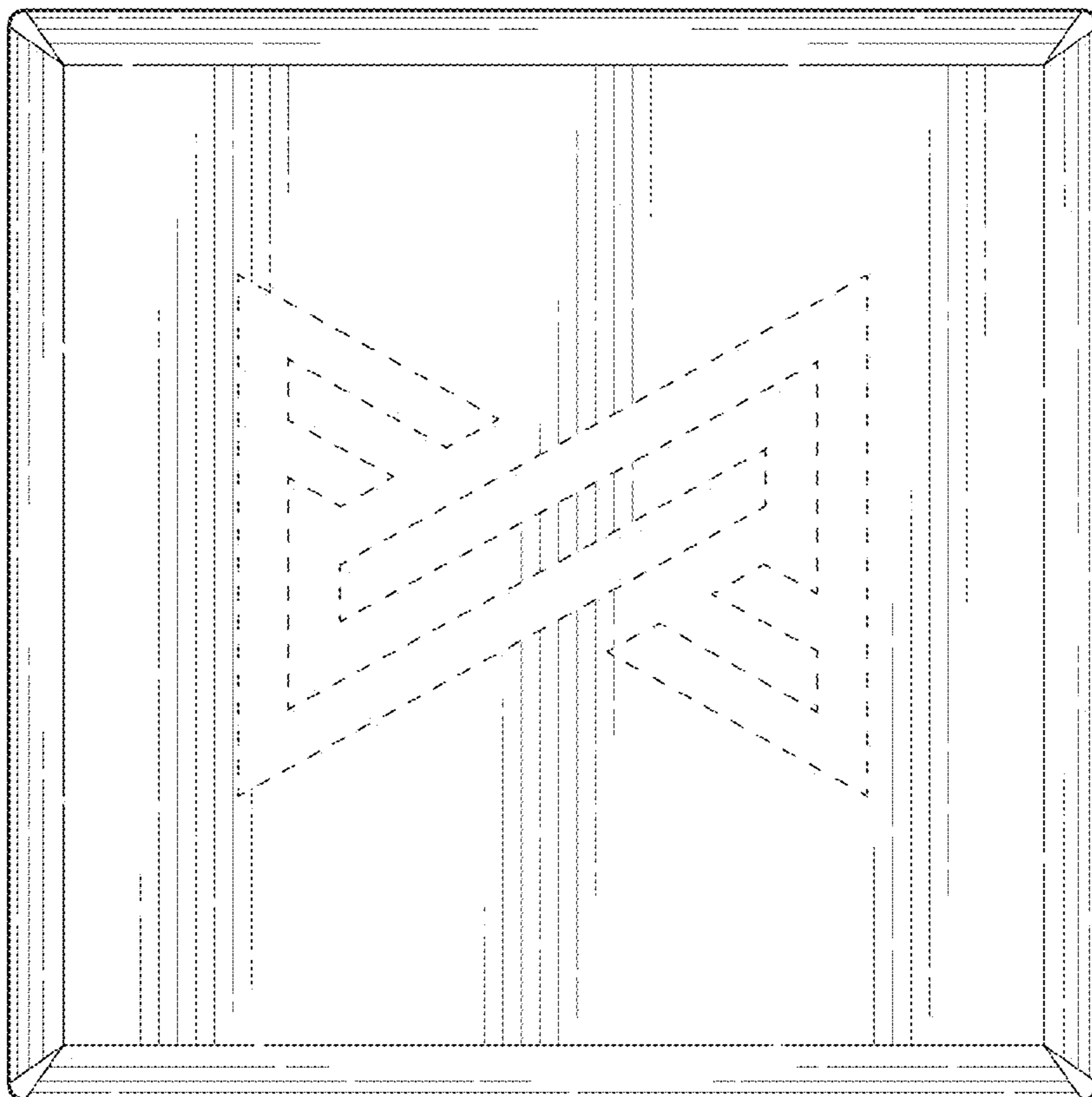


FIG. 15

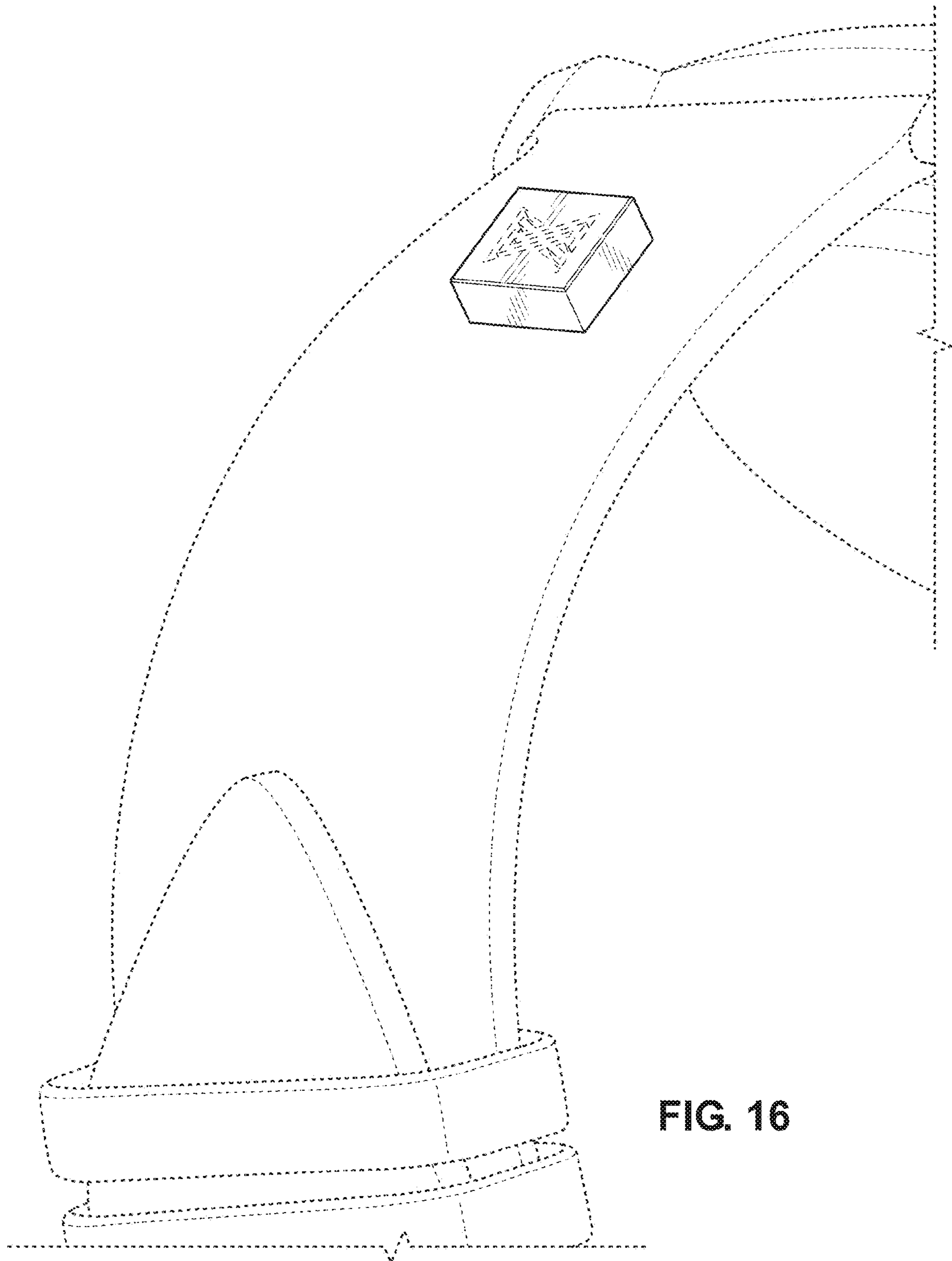


FIG. 16

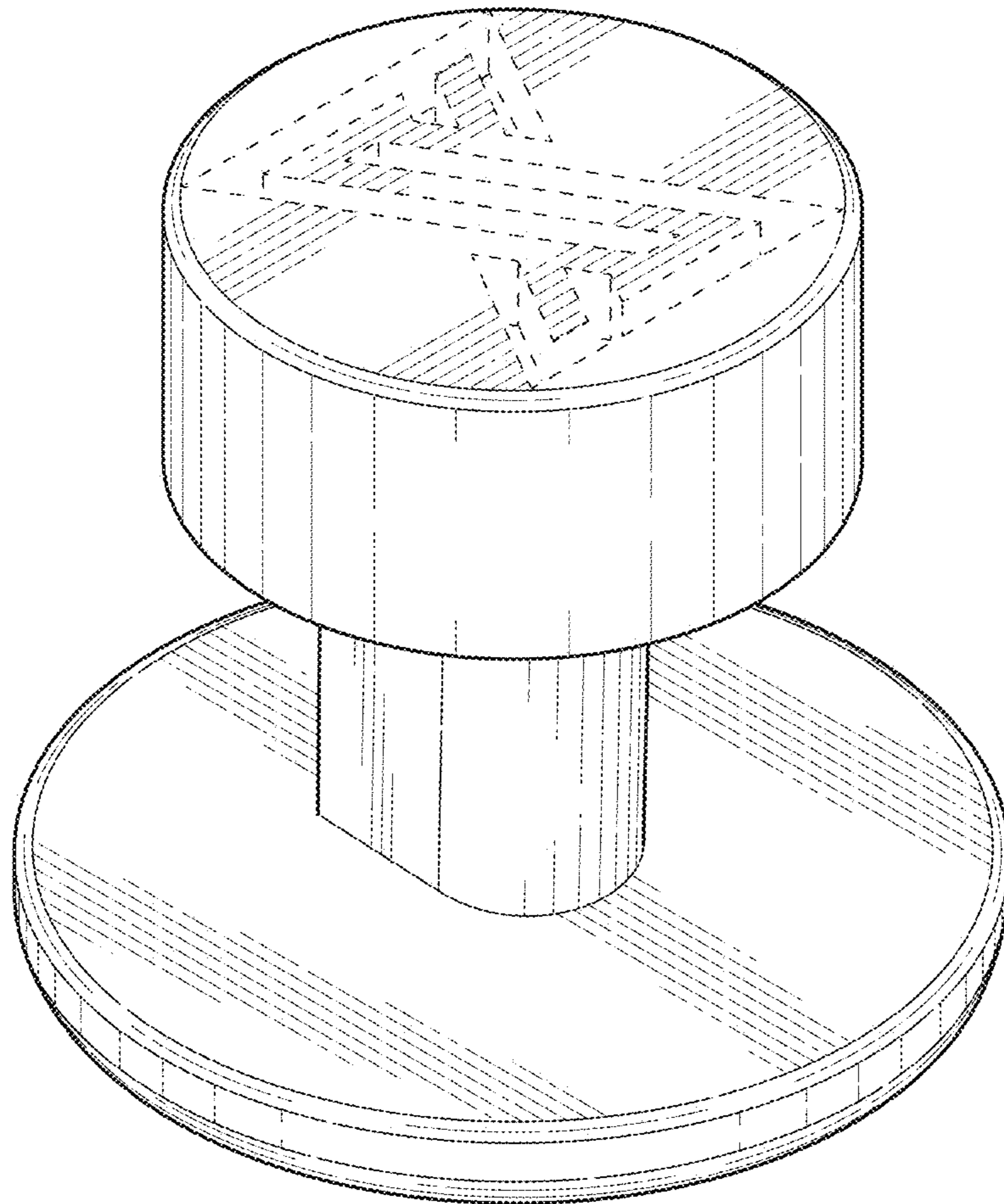


FIG. 17

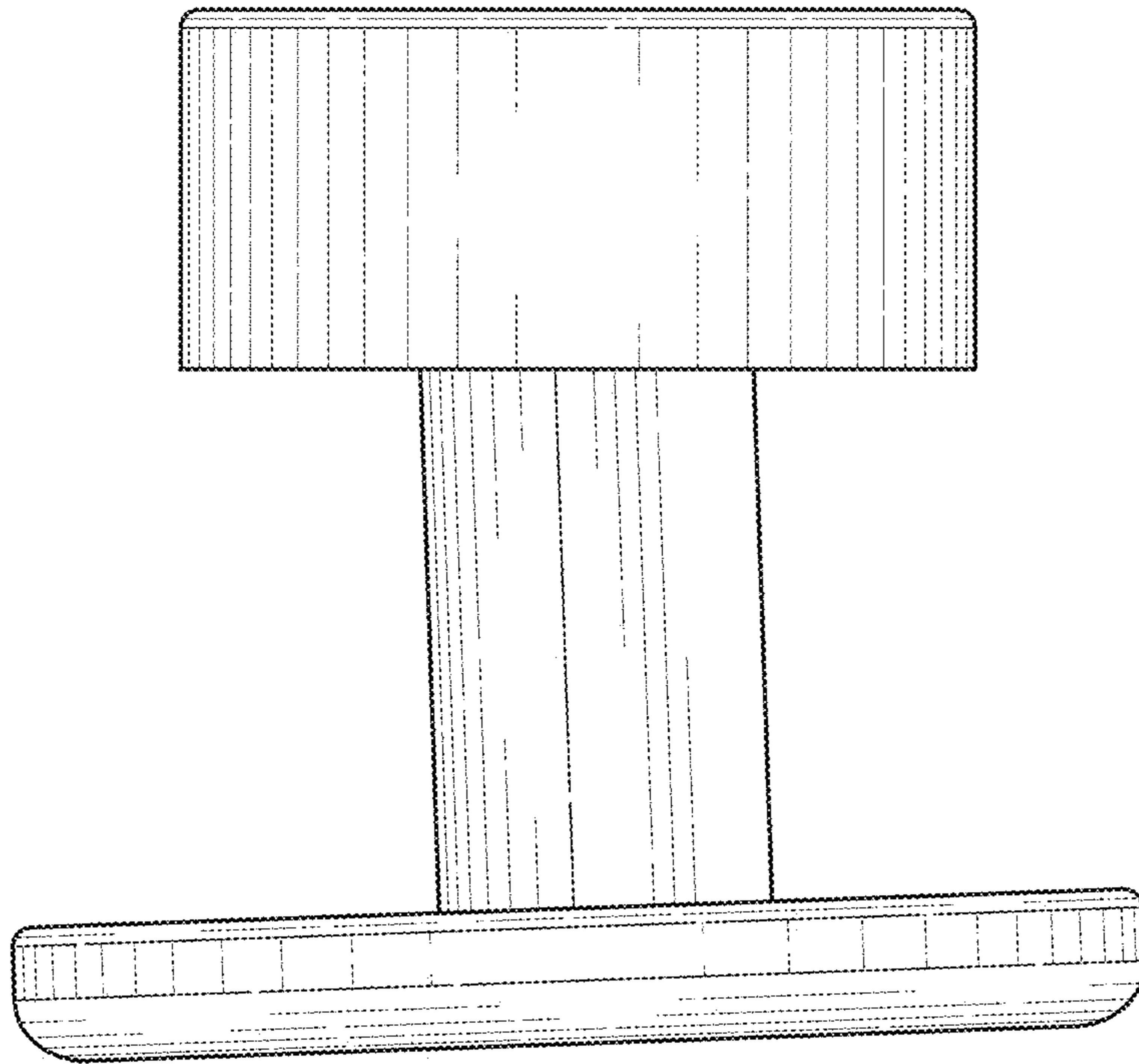


FIG. 18

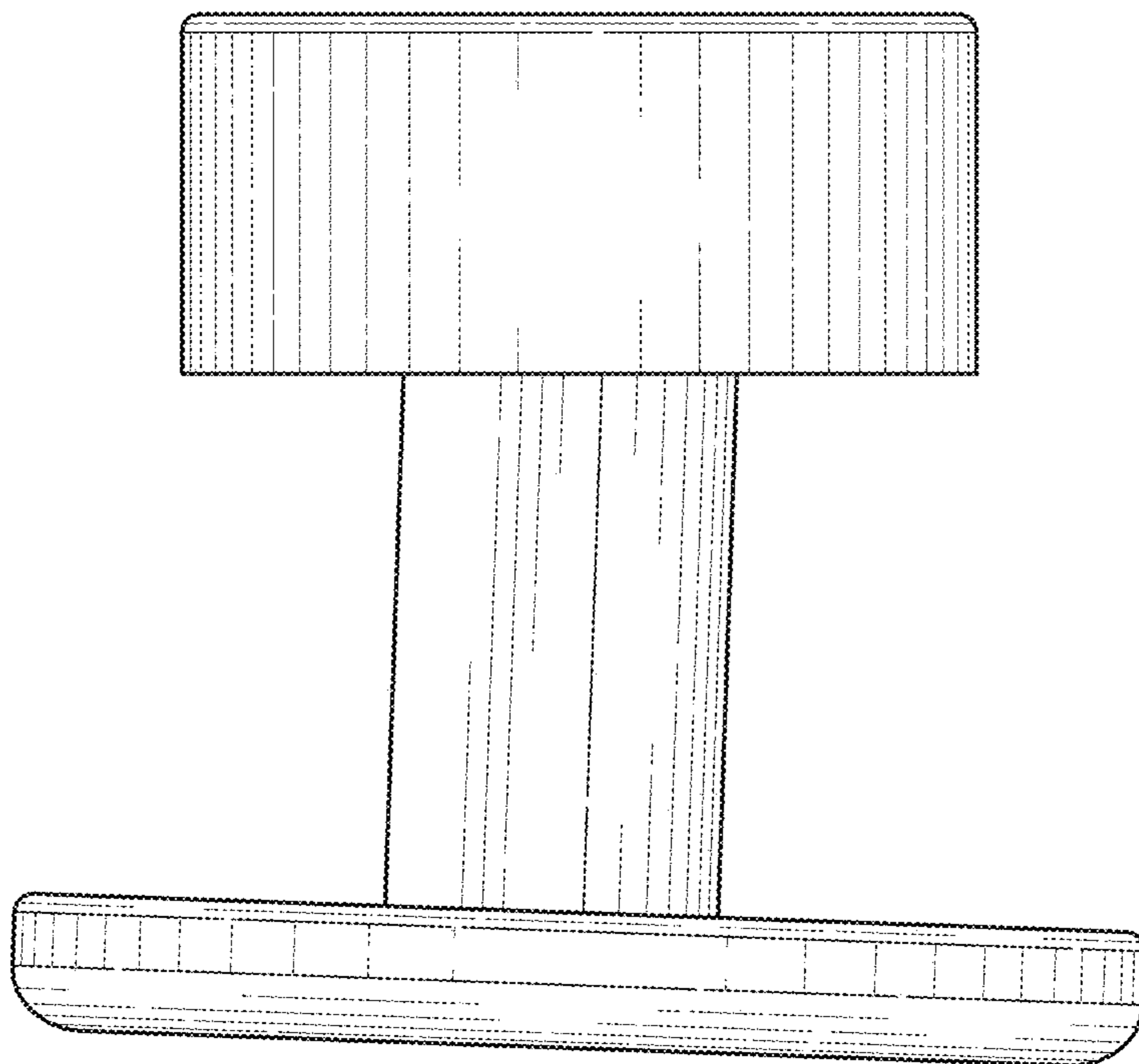


FIG. 19

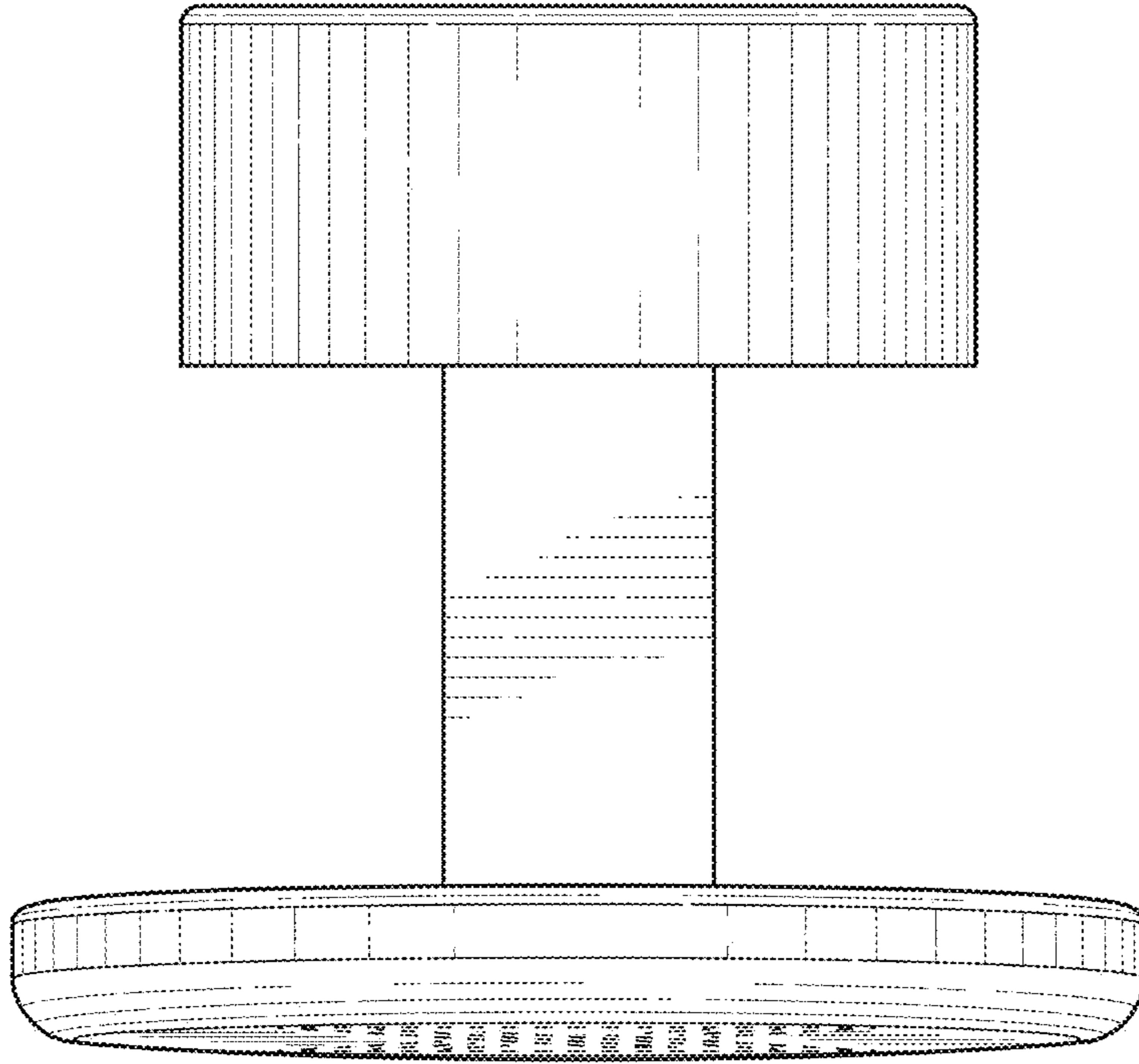


FIG. 20

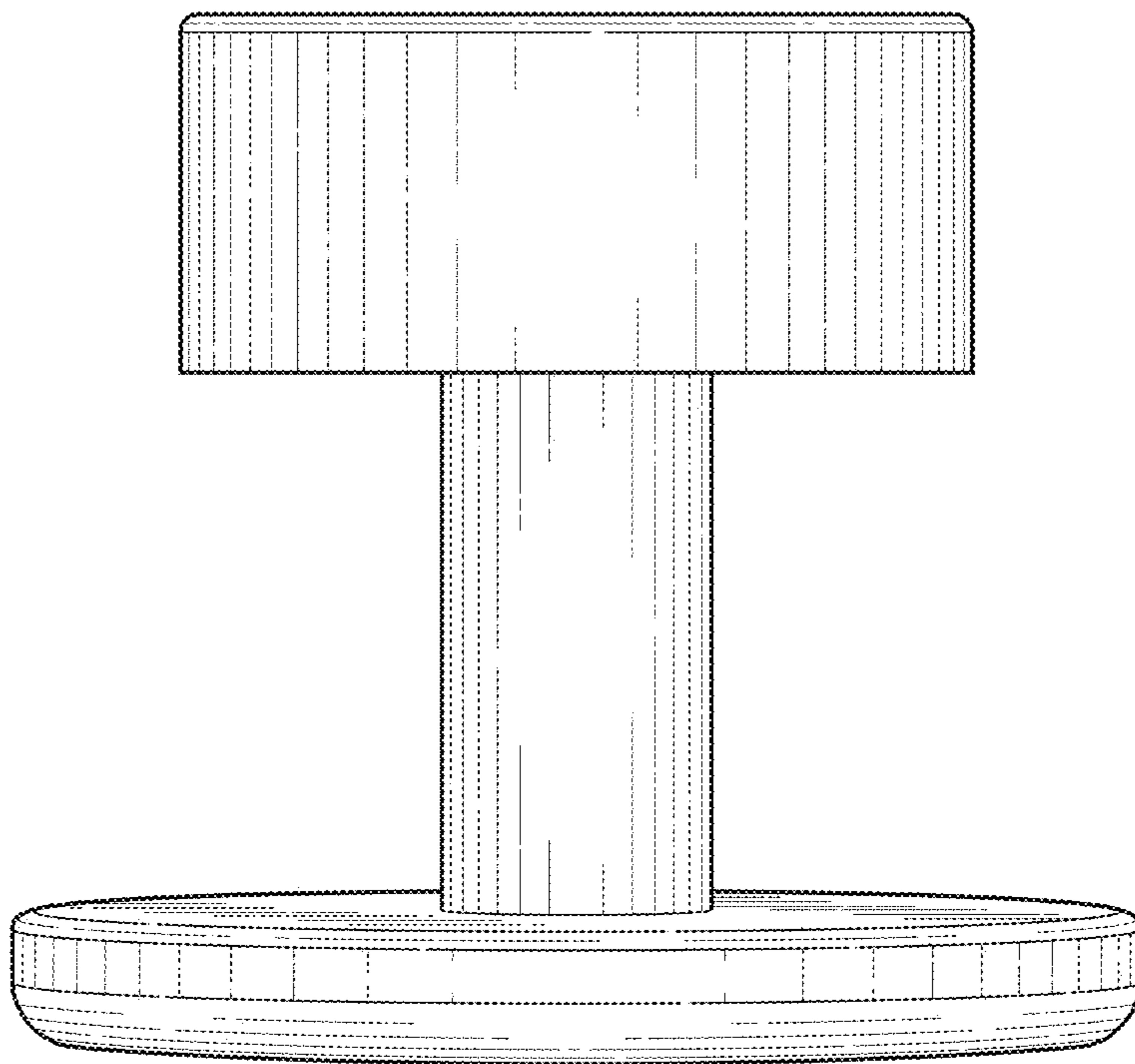


FIG. 21

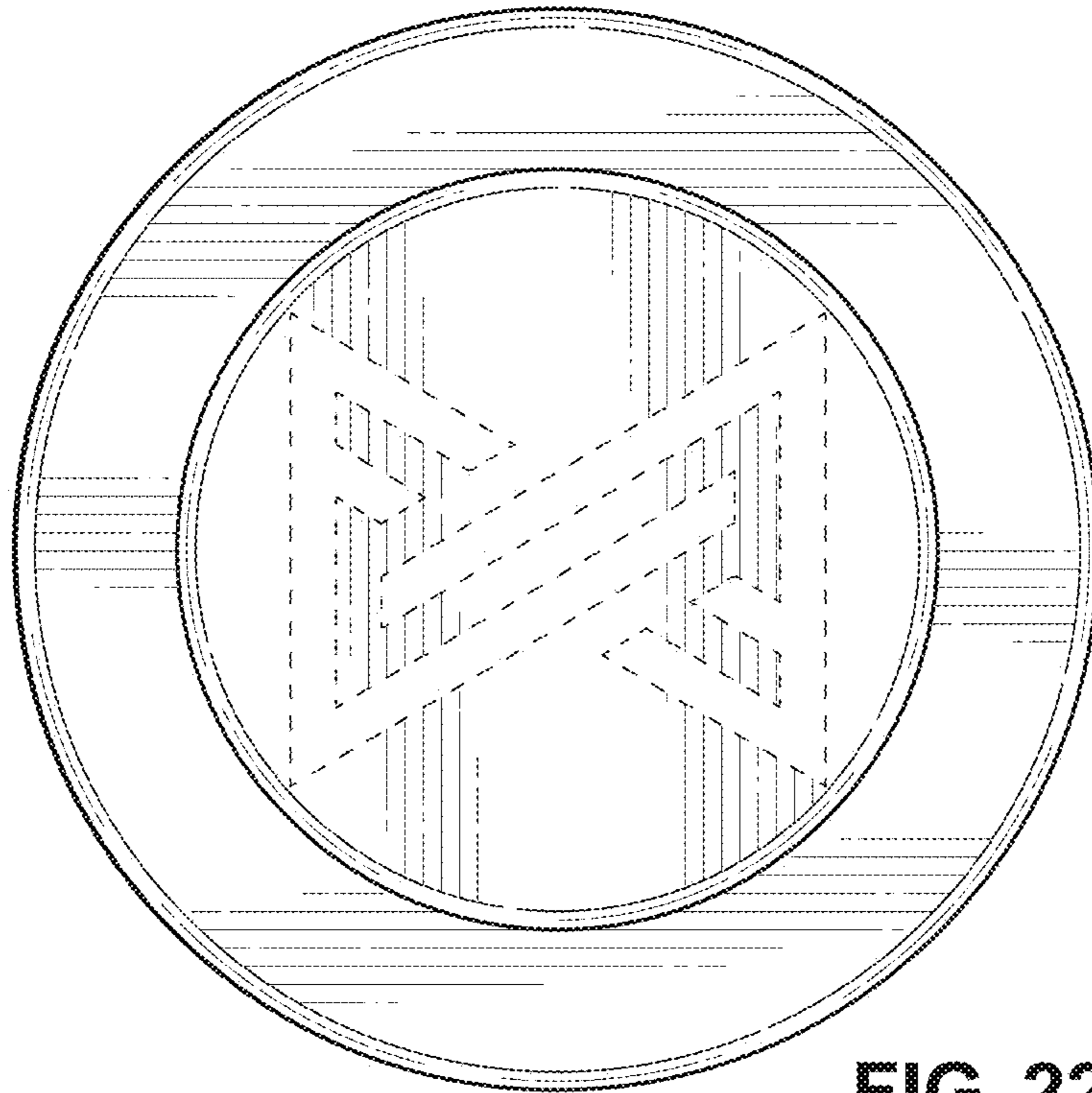


FIG. 22

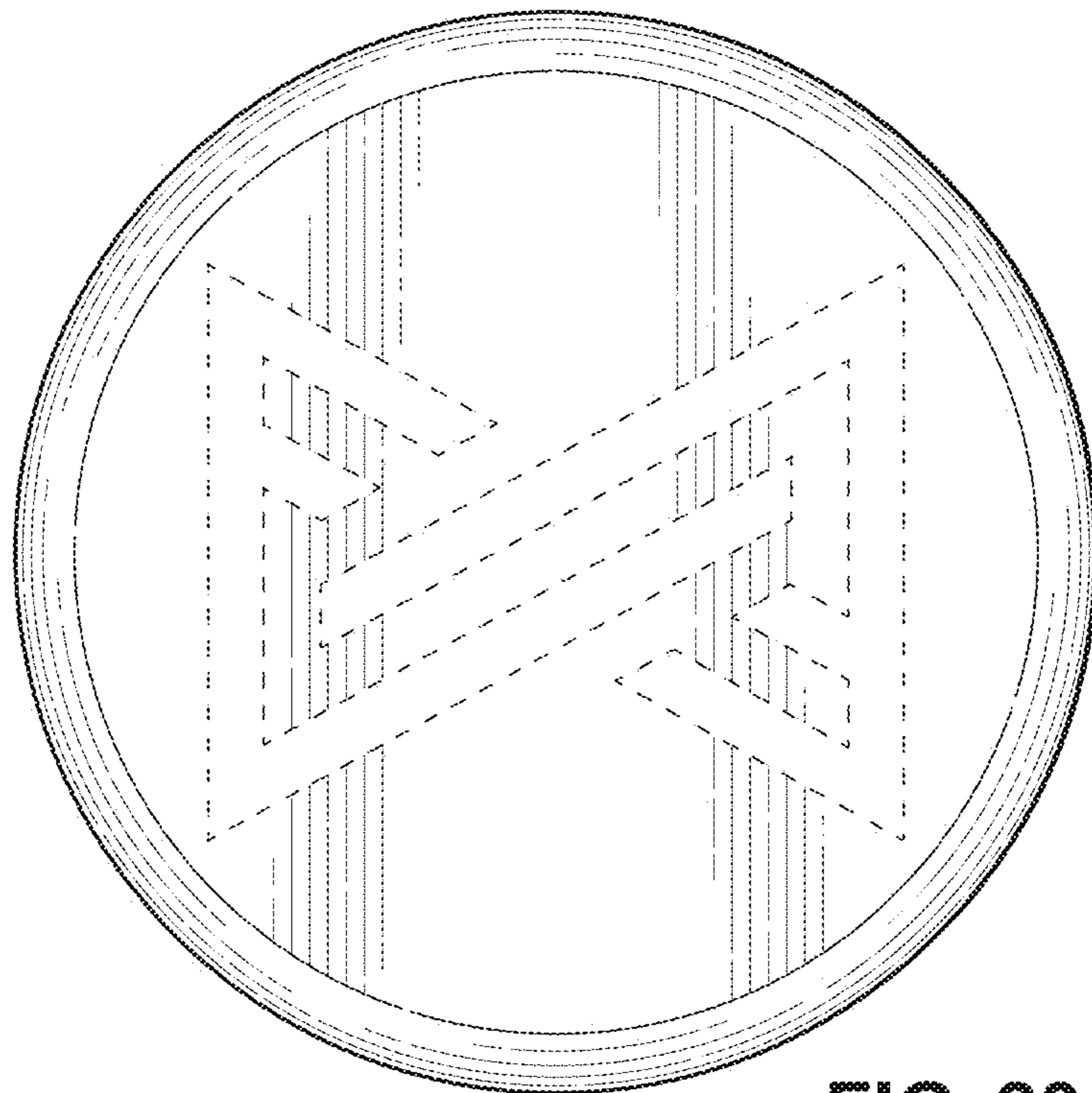


FIG. 23

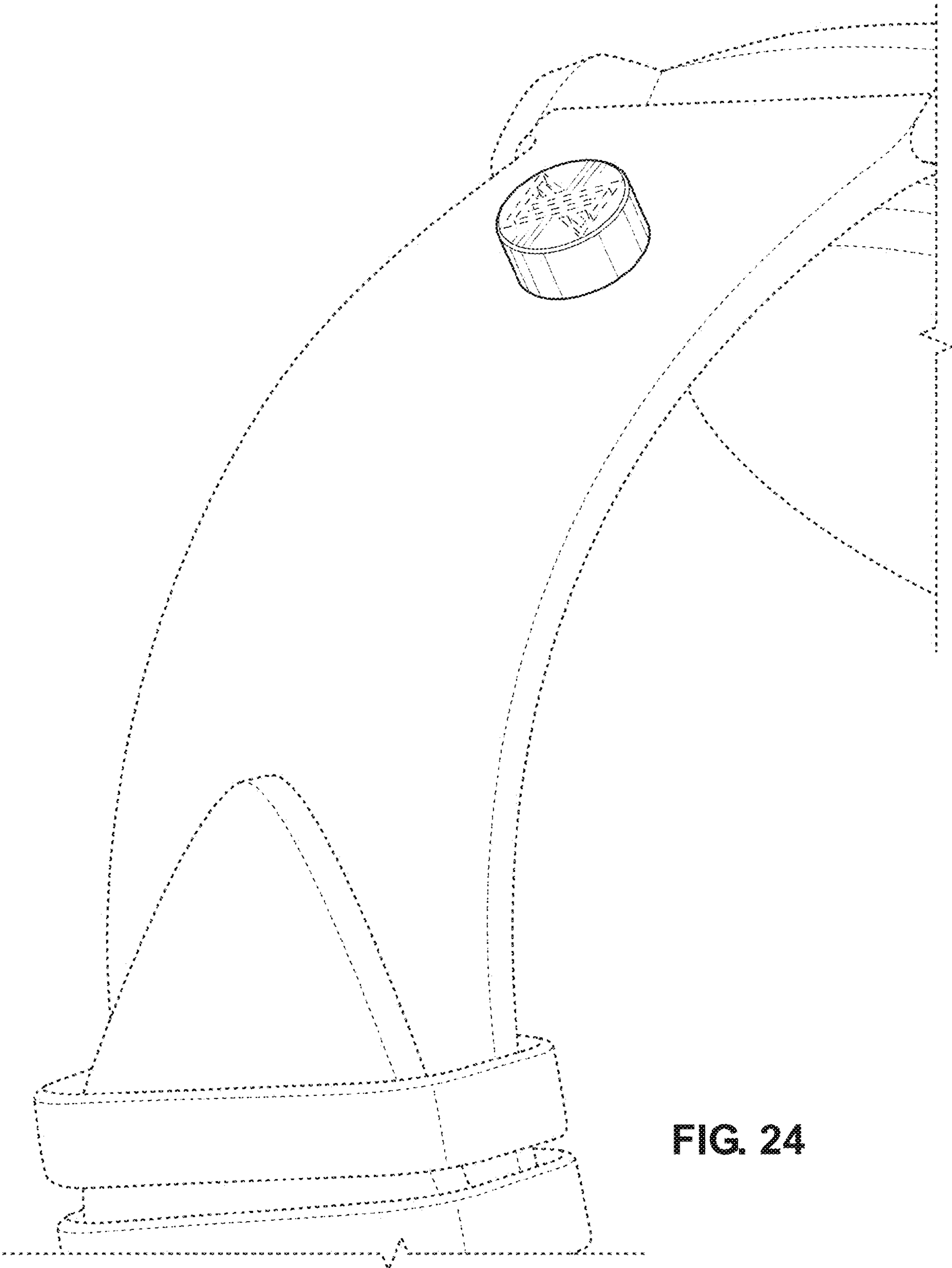


FIG. 24

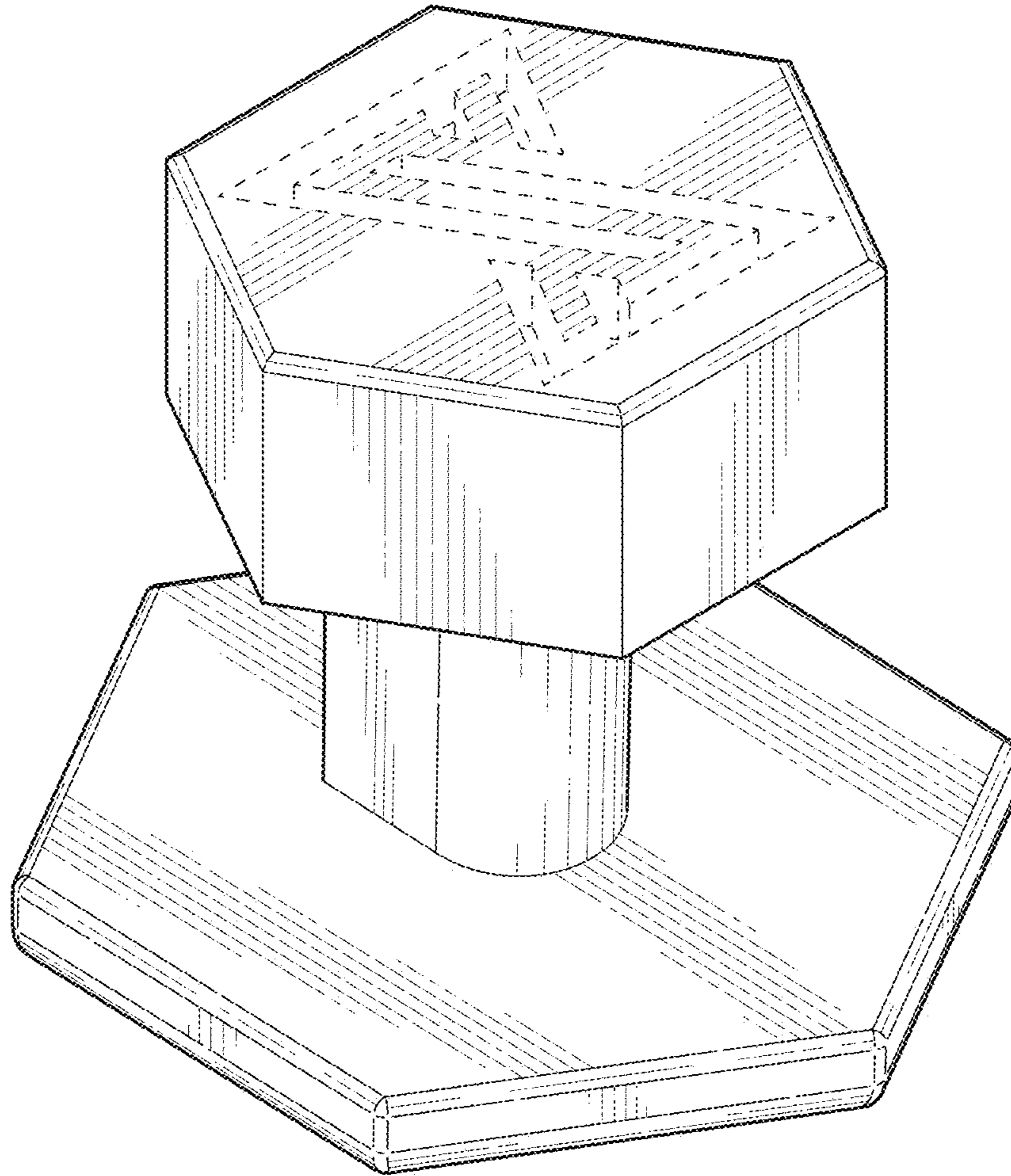


FIG. 25

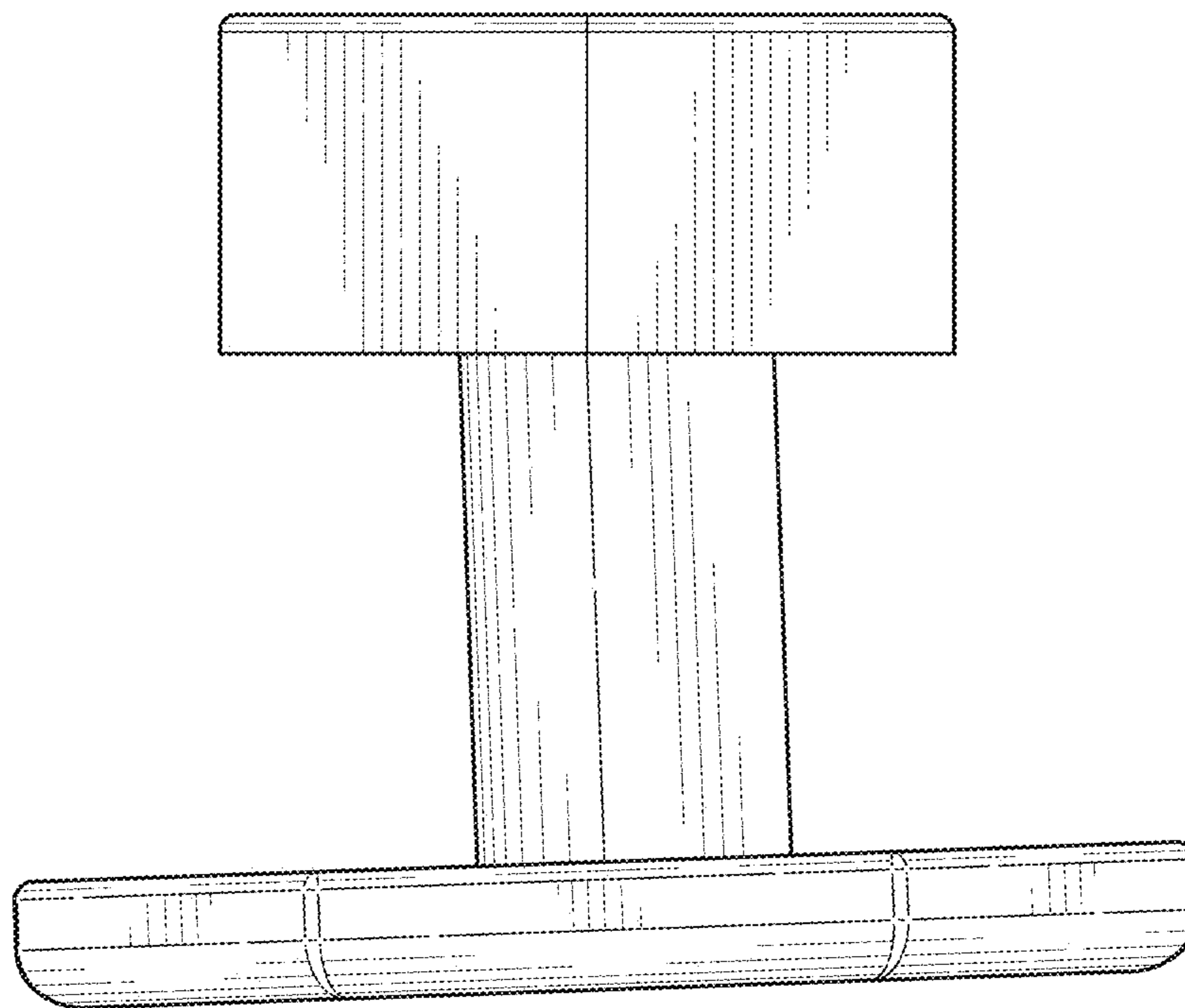


FIG. 26

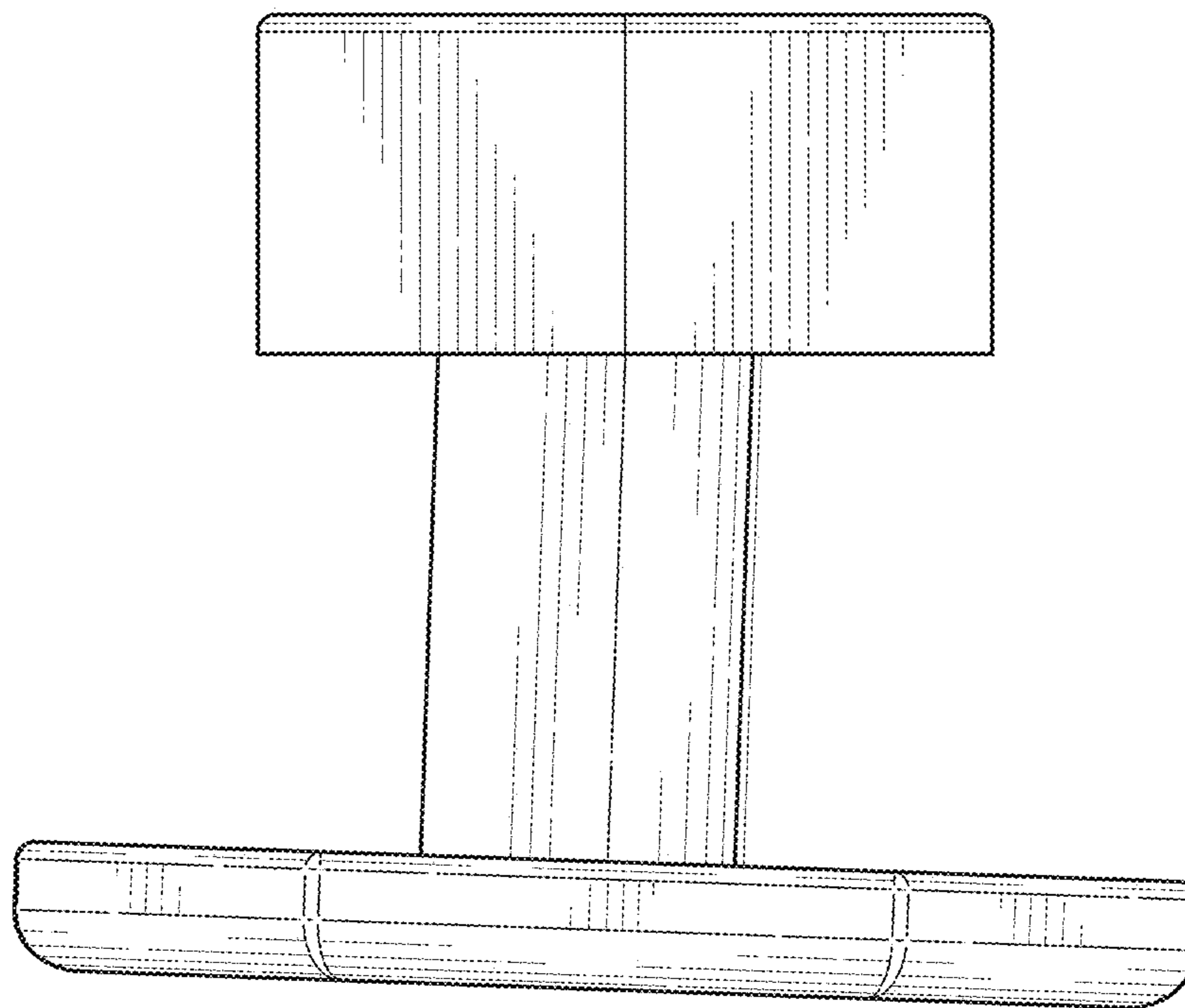


FIG. 27

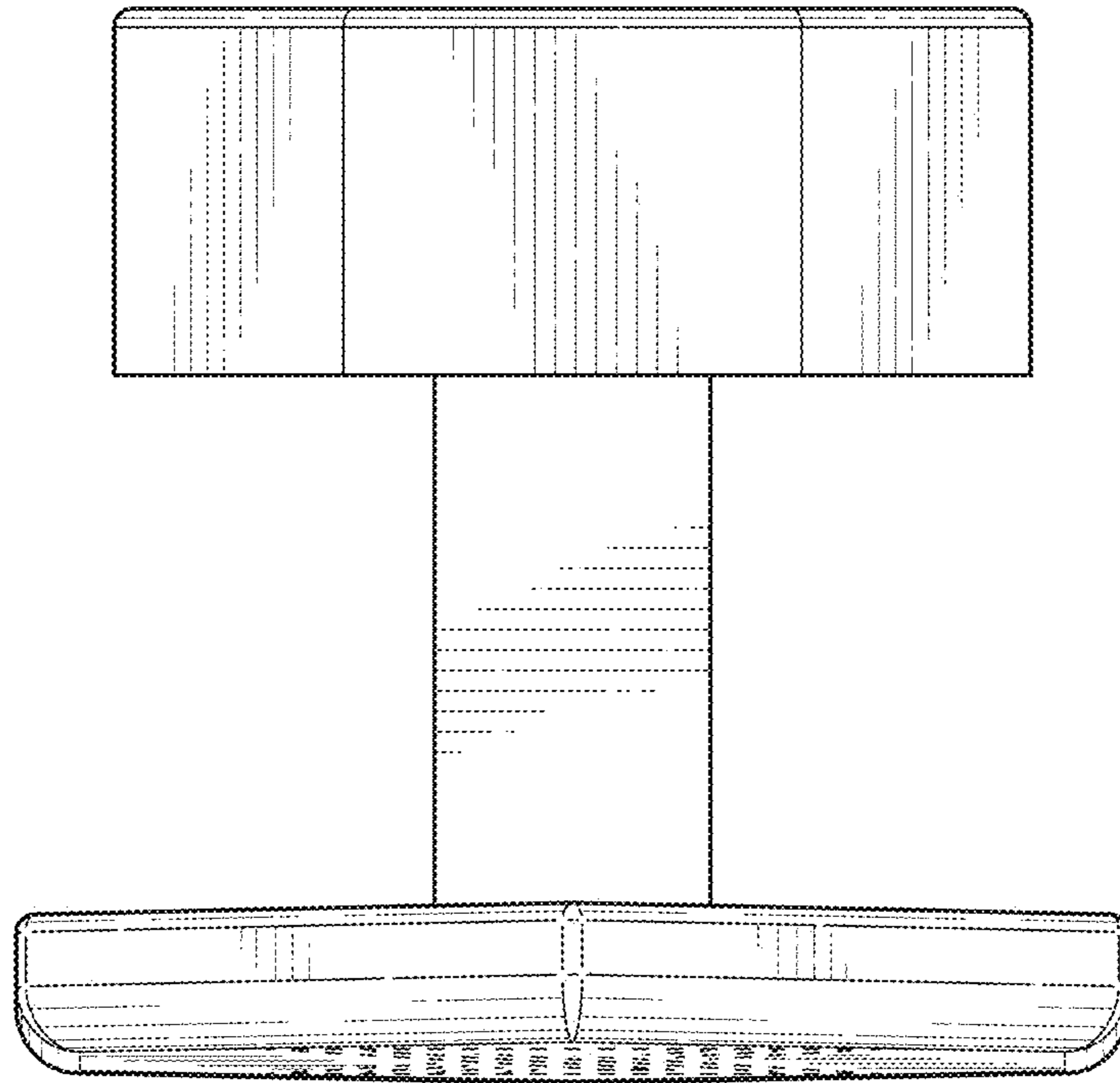


FIG. 28

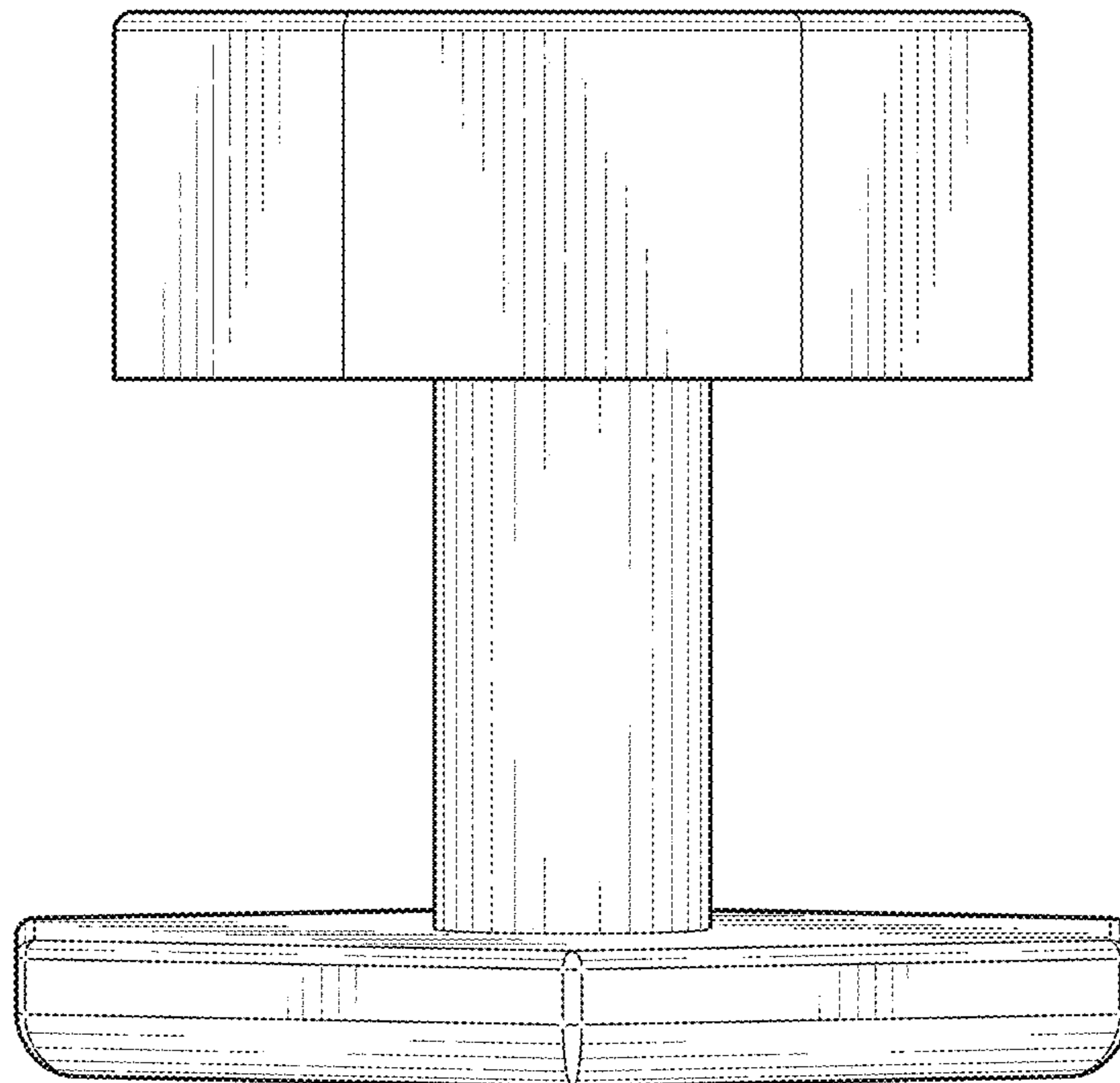


FIG. 29

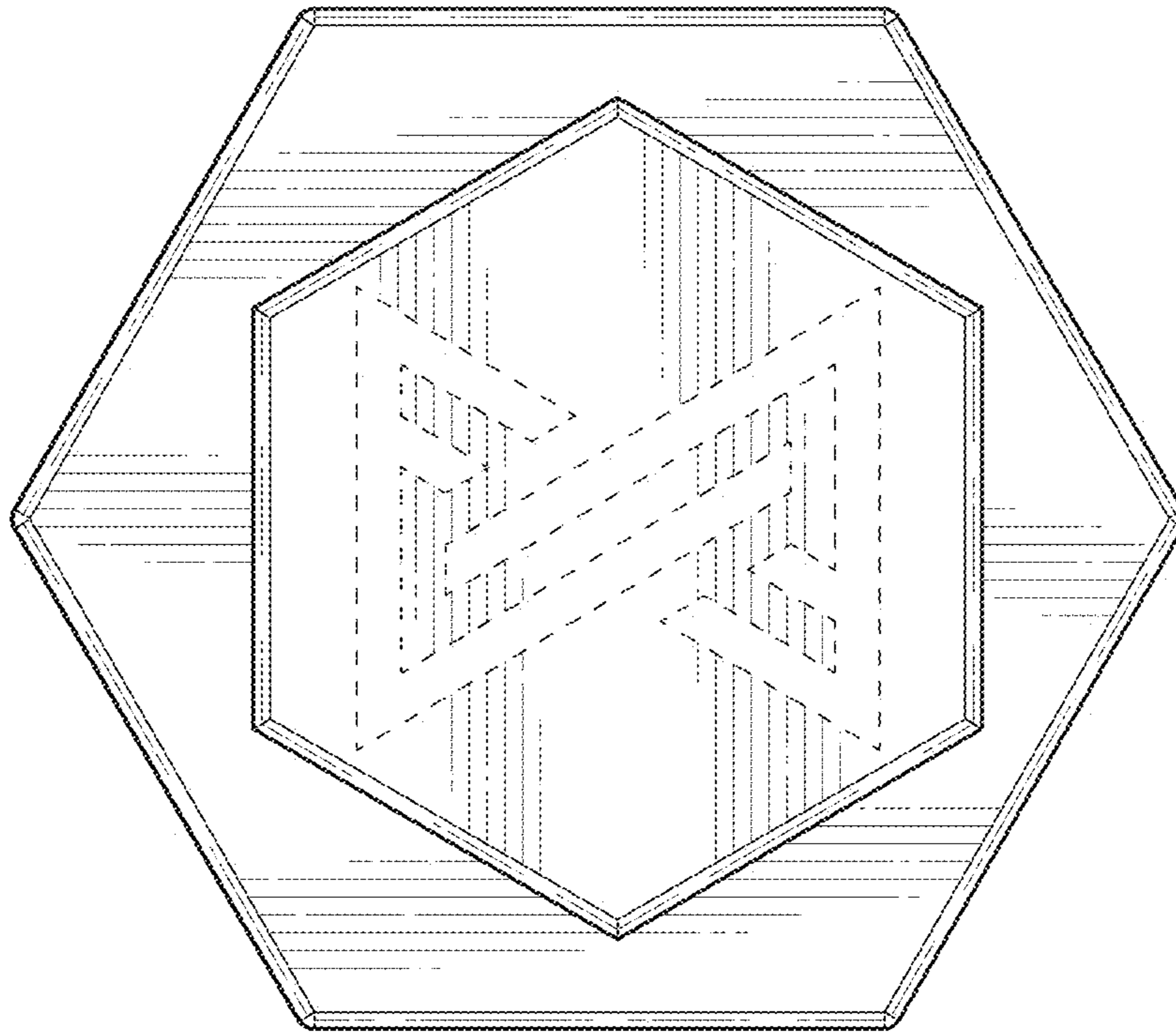


FIG. 30

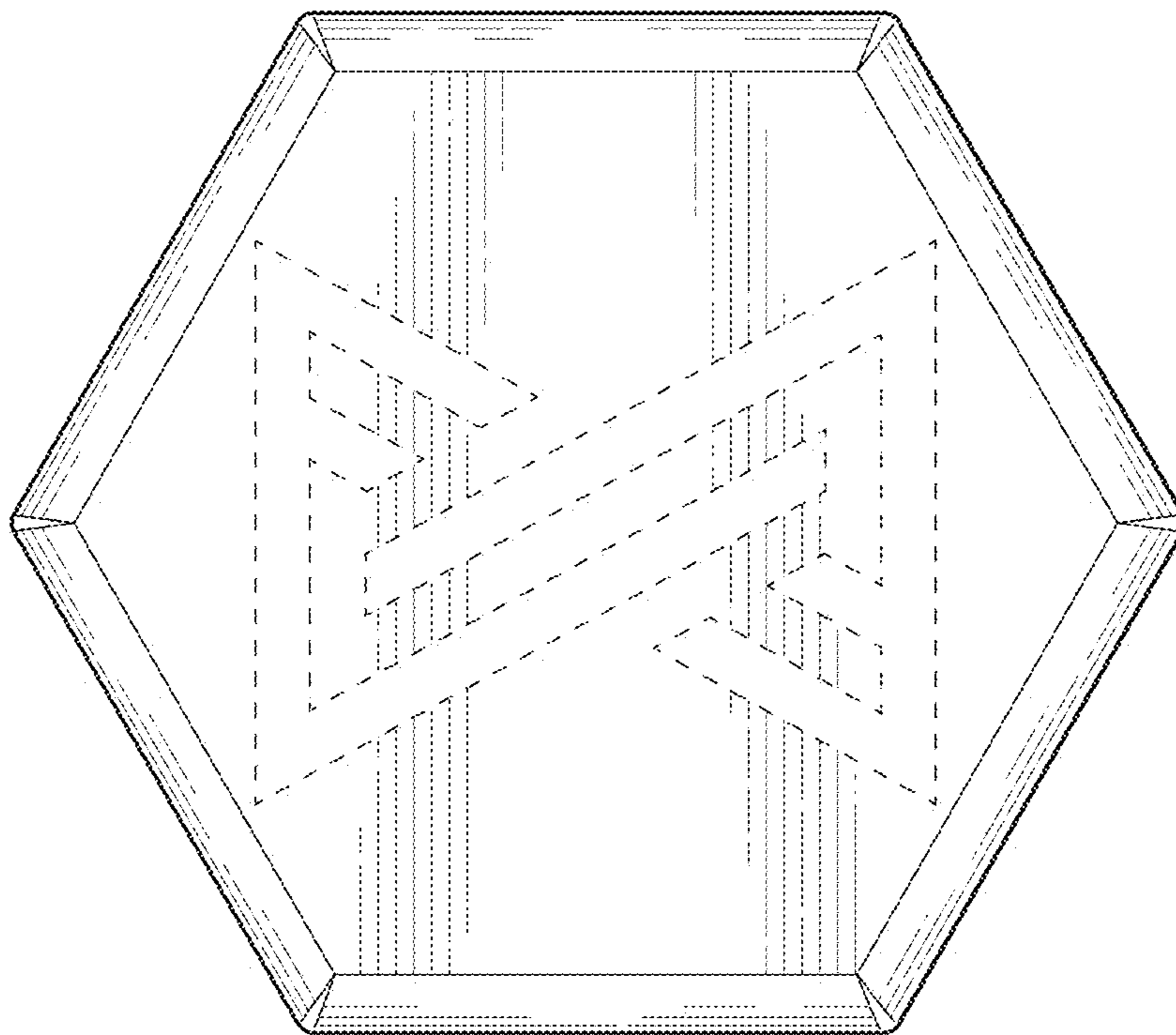


FIG. 31

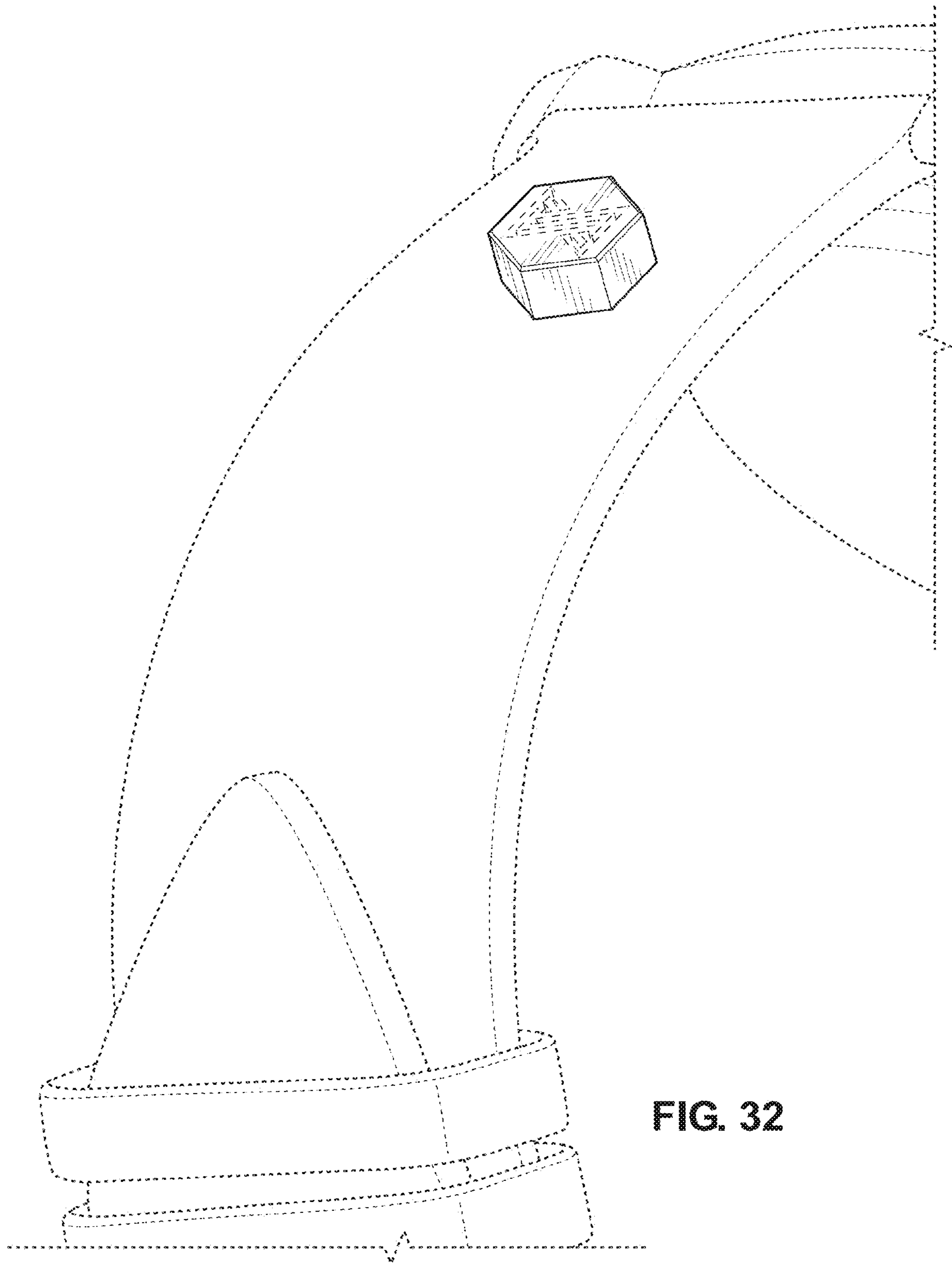


FIG. 32