



US00D883844S

(12) **United States Design Patent** (10) **Patent No.:** **US D883,844 S**  
**Heng** (45) **Date of Patent:** **\*\* May 12, 2020**

- (54) **PENDANT**
- (71) Applicant: **Sun Heng**, Los Angeles, CA (US)
- (72) Inventor: **Sun Heng**, Los Angeles, CA (US)
- (73) Assignee: **Dana Seng Jewelry Collection, INC**,  
Los Angeles, CA (US)
- (\*\*) Term: **15 Years**
- (21) Appl. No.: **29/663,788**
- (22) Filed: **Sep. 19, 2018**
- (51) **LOC (12) Cl.** ..... **11-01**
- (52) **U.S. Cl.**  
USPC ..... **D11/81**
- (58) **Field of Classification Search**  
USPC ..... D11/1-3, 6-10, 15-17, 26-30, 34-35,  
D11/36-38, 40-45, 48, 56, 61, 75, 76, 47,  
D11/79, 81, 83, 87, 88, 116, 117, 89-92,  
D11/74, 157; D18/24  
CPC ..... A44C 9/00; A44C 9/0007; A44C 9/0015;  
A44C 9/0023; A44C 9/003; A44C  
9/0038; A44C 9/0046; A44C 9/0053;  
A44C 9/0061; A44C 9/0069; A44C  
9/0076; A44C 9/0084; A44C 9/0092;  
A44C 9/02; A44C 1/00; A44C 7/00;  
A44C 7/002; A44C 7/003; A44C 7/004;  
A44C 7/005; A44C 7/006; A44C 7/007;  
A44C 7/008; A44C 7/009; A44C 15/001;  
A44C 15/0005; A44C 15/0025; A44C  
15/0045; A44C 25/00; A44C 25/002;  
A44C 25/001; A44C 25/004; A44C  
25/005; A44C 25/007; A44C 25/008;  
A44C 13/00; A44C 3/00; A44C 3/001;  
A44C 3/004; A44C 3/005  
See application file for complete search history.

- (56) **References Cited**  
U.S. PATENT DOCUMENTS  
D12,579 S \* 11/1881 Reynolds ..... D11/90  
D41,357 S \* 5/1911 Hartog ..... D18/24

D42,923 S *	8/1912	Mason	.....	D18/24
D98,707 S *	2/1936	Anderson	.....	D11/81
D121,842 S *	8/1940	Martindale	.....	D11/45
D135,371 S	3/1943	Hendrix		
D150,968 S *	9/1948	Katz	.....	D11/45
D150,969 S *	9/1948	Katz	.....	D11/45
D152,460 S *	1/1949	Dumovitz	.....	D11/30
D159,410 S	7/1950	Frackman		
D202,996 S	11/1965	De Vay		
D326,431 S *	5/1992	Maldonado	.....	D11/81

(Continued)

**OTHER PUBLICATIONS**

NPL The Rebecca Collection, no date available, [online], [site visited Oct. 8, 2019]. Retrieved from url:<http://www.palominojewelers.com/collections/rebecca> (Year: 2019).\*

(Continued)

*Primary Examiner* — Michelle E. Wilson  
*Assistant Examiner* — Tracey J Bell  
(74) *Attorney, Agent, or Firm* — Dunlap Bennett & Ludwig PLLC

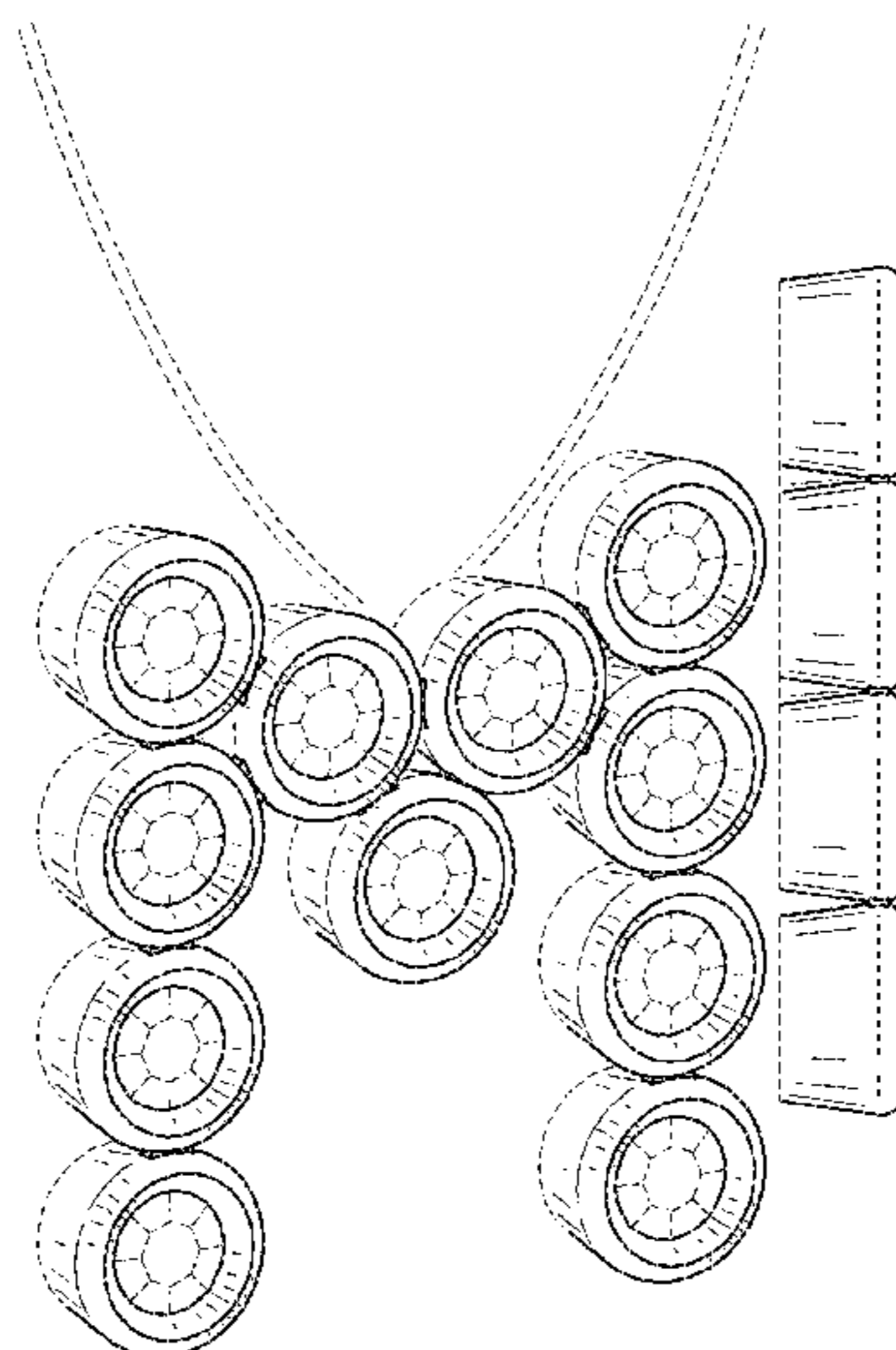
(57) **CLAIM**

The ornamental design for a pendant, as shown and described.

**DESCRIPTION**

FIG. 1 is a front perspective view of a pendant;  
FIG. 2 is a front elevation view thereof;  
FIG. 3 is a rear elevation view thereof;  
FIG. 4 is a left side elevation view thereof, the right side elevation view being a mirror image thereof;  
FIG. 5 is a top plan view thereof; and,  
FIG. 6 is a bottom plan view thereof.  
The broken lines shown in the drawings depict rear portions of a pendant, stones within the pendant and a necklace that form no part of the claimed invention.

**1 Claim, 2 Drawing Sheets**



(56)

References Cited

U.S. PATENT DOCUMENTS

D327,030 S \* 6/1992 Young ..... D11/61  
 D339,763 S \* 9/1993 Nalbandian ..... D11/1  
 D367,625 S 3/1996 Goldman  
 D423,053 S 4/2000 Lefkowitz  
 D429,474 S 8/2000 Stein  
 D455,976 S \* 4/2002 Holland ..... D11/61  
 D460,014 S \* 7/2002 Williams ..... D11/1  
 D460,375 S 7/2002 Ambar  
 6,772,614 B1 \* 8/2004 Cheng ..... A44B 15/005  
 40/583  
 D506,156 S \* 6/2005 Bernsen ..... D11/14  
 D506,943 S \* 7/2005 Erickson ..... D11/11  
 D526,234 S \* 8/2006 Dolce ..... D11/6  
 7,182,018 B2 2/2007 Ackley, Jr. et al.  
 D589,391 S 3/2009 Sandberg  
 D599,695 S \* 9/2009 Nolan ..... D11/41  
 D614,075 S 4/2010 Kothari  
 D628,933 S 12/2010 Hegi  
 D634,230 S 3/2011 Arlanda  
 D634,235 S 3/2011 Sandberg  
 D635,484 S 4/2011 Liechtung  
 D646,601 S 10/2011 Papazian  
 D647,421 S \* 10/2011 Nolan ..... D11/88  
 D718,651 S 12/2014 Yatsugi-Kang  
 D760,619 S \* 7/2016 Gabriel ..... D11/61

9,408,442 B1 \* 8/2016 Terry ..... A44C 25/007  
 D780,038 S 2/2017 Riviere  
 D780,050 S \* 2/2017 Gabriel ..... D11/61  
 D811,724 S \* 3/2018 Lee ..... D3/211  
 D816,539 S 5/2018 Wasco  
 D818,868 S 5/2018 Sandberg et al.  
 D838,622 S \* 1/2019 Vivat ..... D11/16  
 2015/0272279 A1 \* 10/2015 Toffanello ..... A44B 1/04  
 24/453

OTHER PUBLICATIONS

Necklaces & Pendants \_ Warren James Jewellers, as archived by the Internet Archive on Sep. 25, 2016, [online], [site visited Oct. 8, 2019]. Retrieved from url:<https://web.archive.org/web/20160925032114/http://www.warrenjames.co.uk/jewellery/necklaces-and-pendants?PageNum=showall> (Year: 2016).\*

Stone and Strand \_ Alphabet 14-karat gold diamond necklace, no date available, [online], [site visited Oct. 8, 2019]. Retrieved from url:<https://www.net-a-porter.com/us/en/product/1103109> (Year: 2019).\*

Bezel-set Five-Stone Diamond Pendant, no date available, [online], [site visited Jan. 21, 2020]. Retrieved from url:<https://www.allurez.com/necklaces-and-pendants/diamond-necklaces-and-pendants/bezel-set-five-stone-diamond-pendant-necklace-14k-yellow-gold-2.00ct/pid/57016/2> (Year: 2020).\*

\* cited by examiner

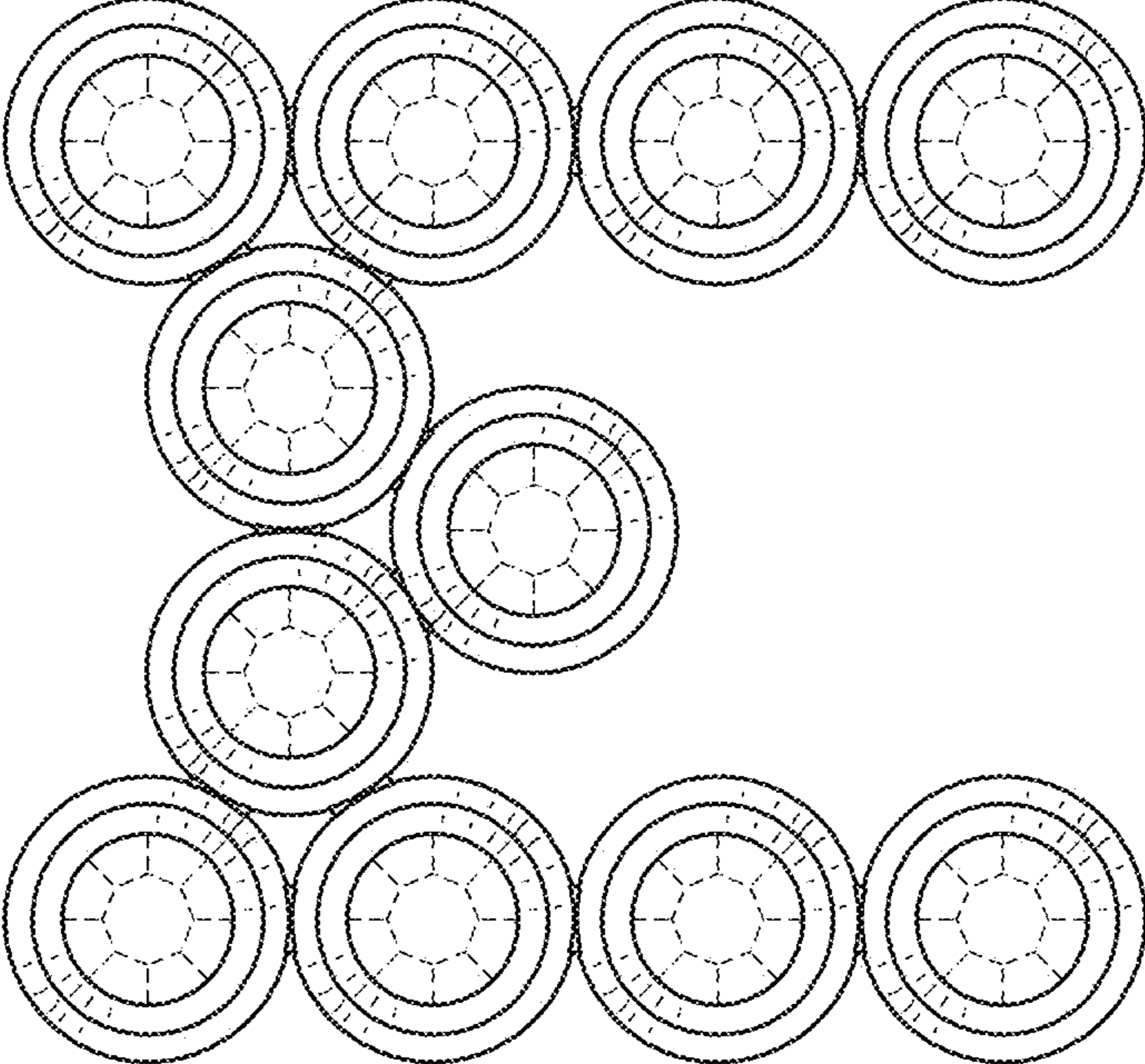


FIG. 2

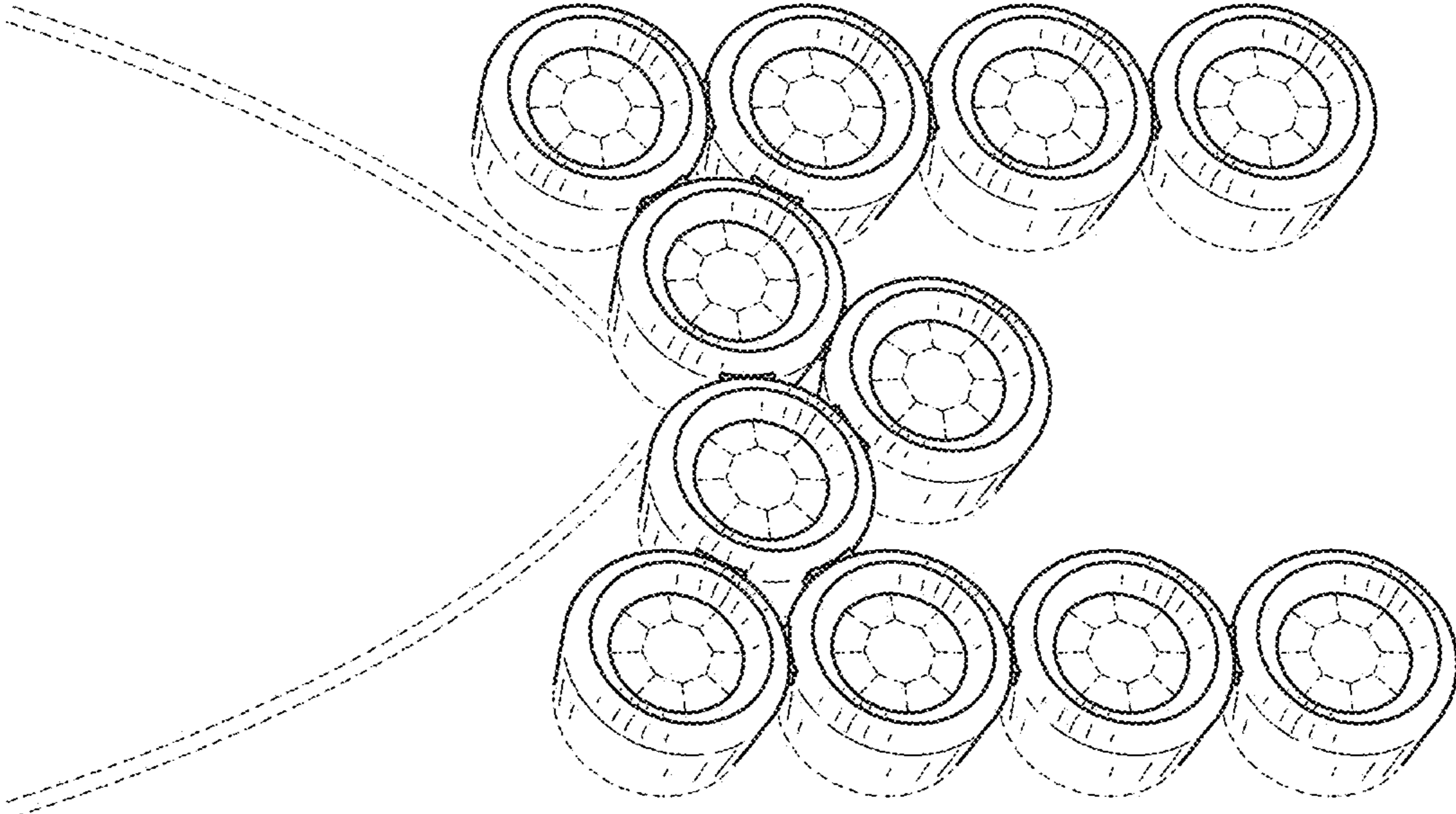


FIG. 1

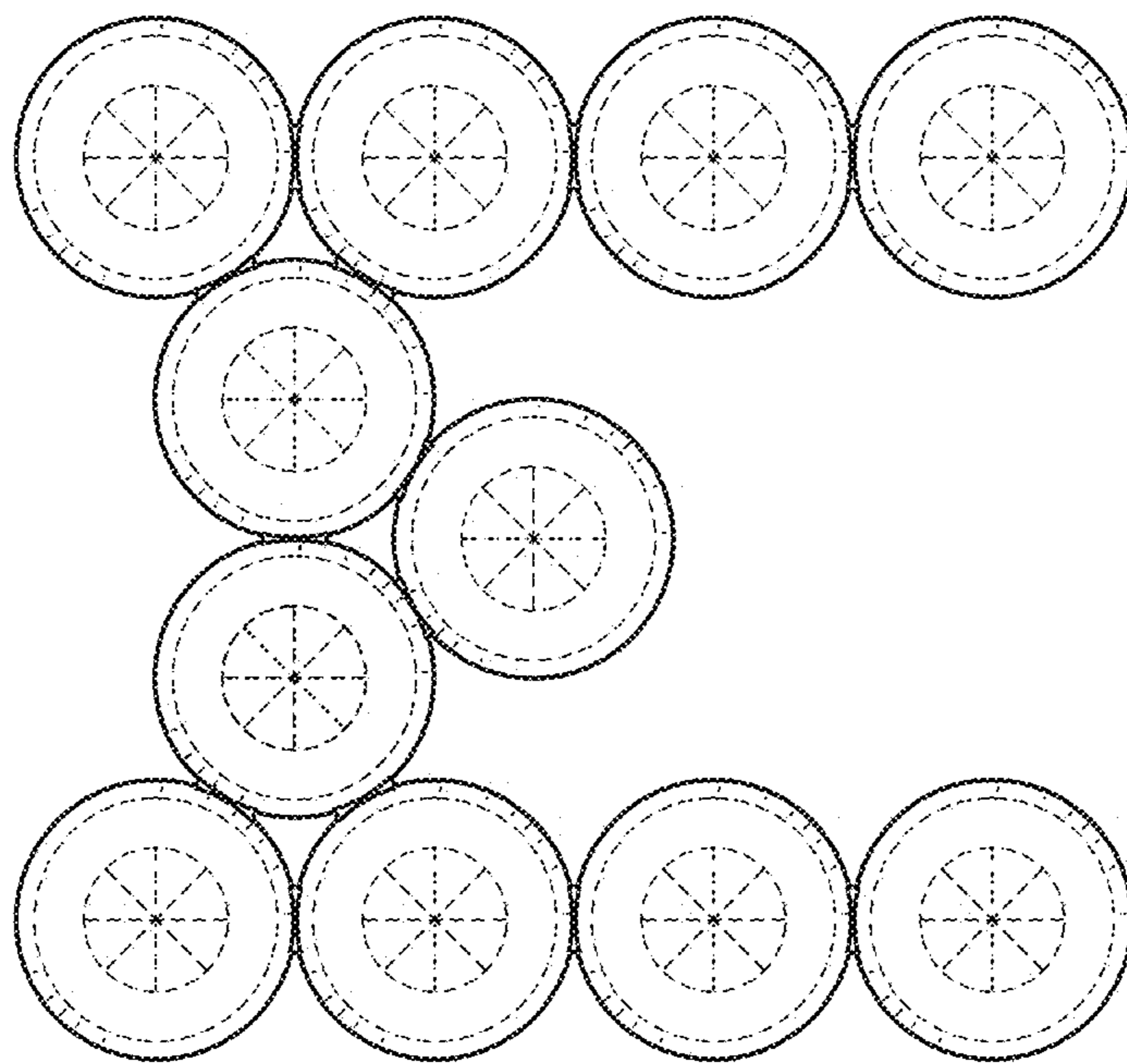


FIG. 3

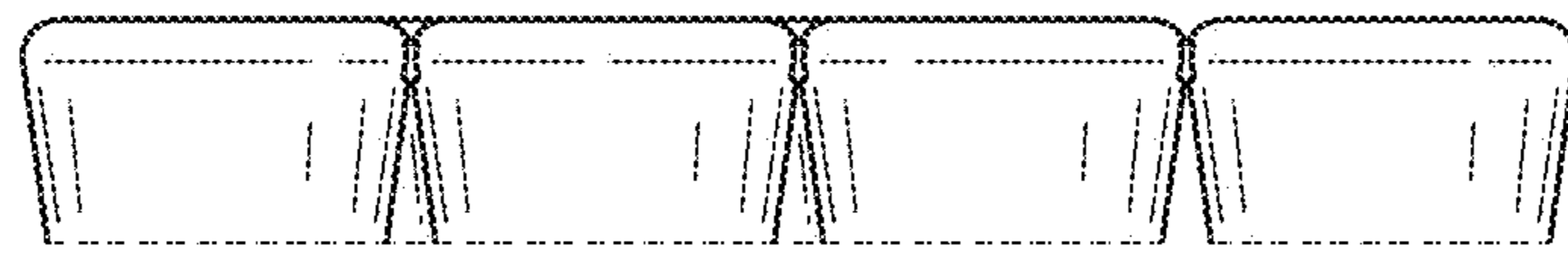


FIG. 4

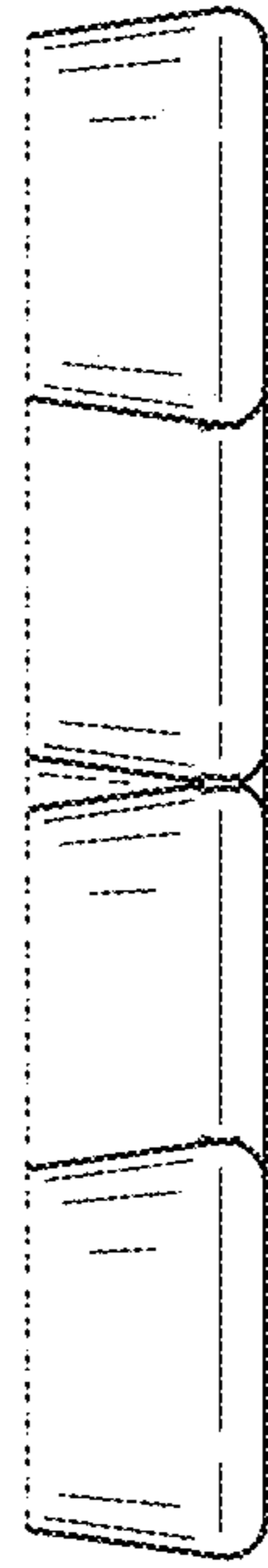


FIG. 5

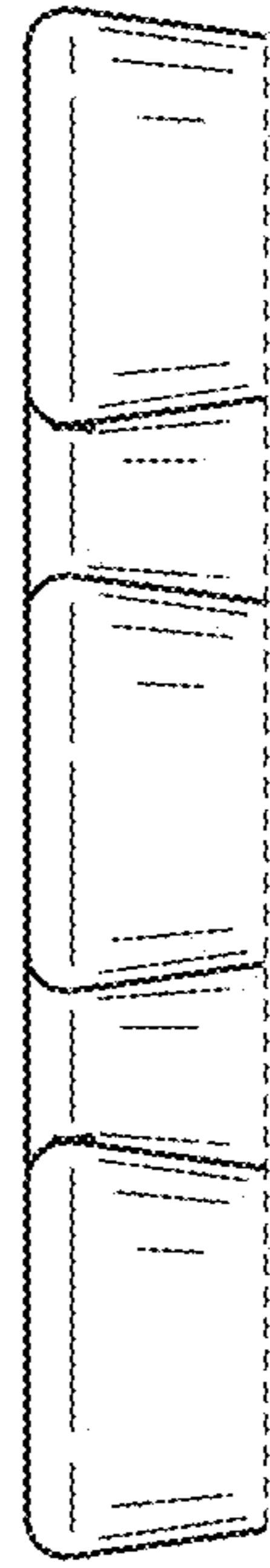


FIG. 6