



US00D883843S

(12) **United States Design Patent** (10) **Patent No.:** **US D883,843 S**  
**Avni** (45) **Date of Patent:** **\*\* May 12, 2020**

(54) **JEWELLERY**

(56) **References Cited**

(71) Applicant: **Âme Creations LLC**, New York, NY (US)

U.S. PATENT DOCUMENTS

(72) Inventor: **Elinor Avni**, Tel Aviv (IL)

D374,193 S *	10/1996	Doustorian .....	D11/34
D400,120 S *	10/1998	Itzkowitz .....	D11/26
D514,469 S *	2/2006	Race .....	D11/34
D727,200 S *	4/2015	Kwon .....	D11/34
D747,663 S *	1/2016	Yatsugi-Kang .....	D11/34
D747,664 S *	1/2016	Yatsugi-Kang .....	D11/34
D780,023 S *	2/2017	Yatsugi-Kang .....	D11/34
D780,024 S *	2/2017	Yatsugi-Kang .....	D11/34
D780,031 S *	2/2017	Riviere .....	D11/34
D780,618 S *	3/2017	Galli .....	D11/34
D828,212 S *	9/2018	Riviere .....	D11/34
D843,258 S *	3/2019	Zhou .....	D11/34

(73) Assignee: **ÂME CREATIONS, LLC.**, New York, NY (US)

(\*\*) Term: **15 Years**

\* cited by examiner

(21) Appl. No.: **35/506,862**

(22) Filed: **Mar. 17, 2019**

*Primary Examiner* — Richard E Chilcot  
(74) *Attorney, Agent, or Firm* — Wenderoth, Lind & Ponack, L.L.P.

(80) **Hague Agreement Data**

Int. Filing Date: **Mar. 17, 2019**  
Int. Reg. No.: **DM/201107**  
Int. Reg. Date: **Mar. 17, 2019**  
Int. Reg. Pub. Date: **May 31, 2019**

(57) **CLAIM**

(51) **LOC (12) Cl.** ..... **11-01**

The ornamental design for a jewellery, as shown and described.

(52) **U.S. Cl.**

USPC ..... **D11/34**  
CPC ..... **A44C 15/00** (2013.01)

**DESCRIPTION**

(58) **Field of Classification Search**

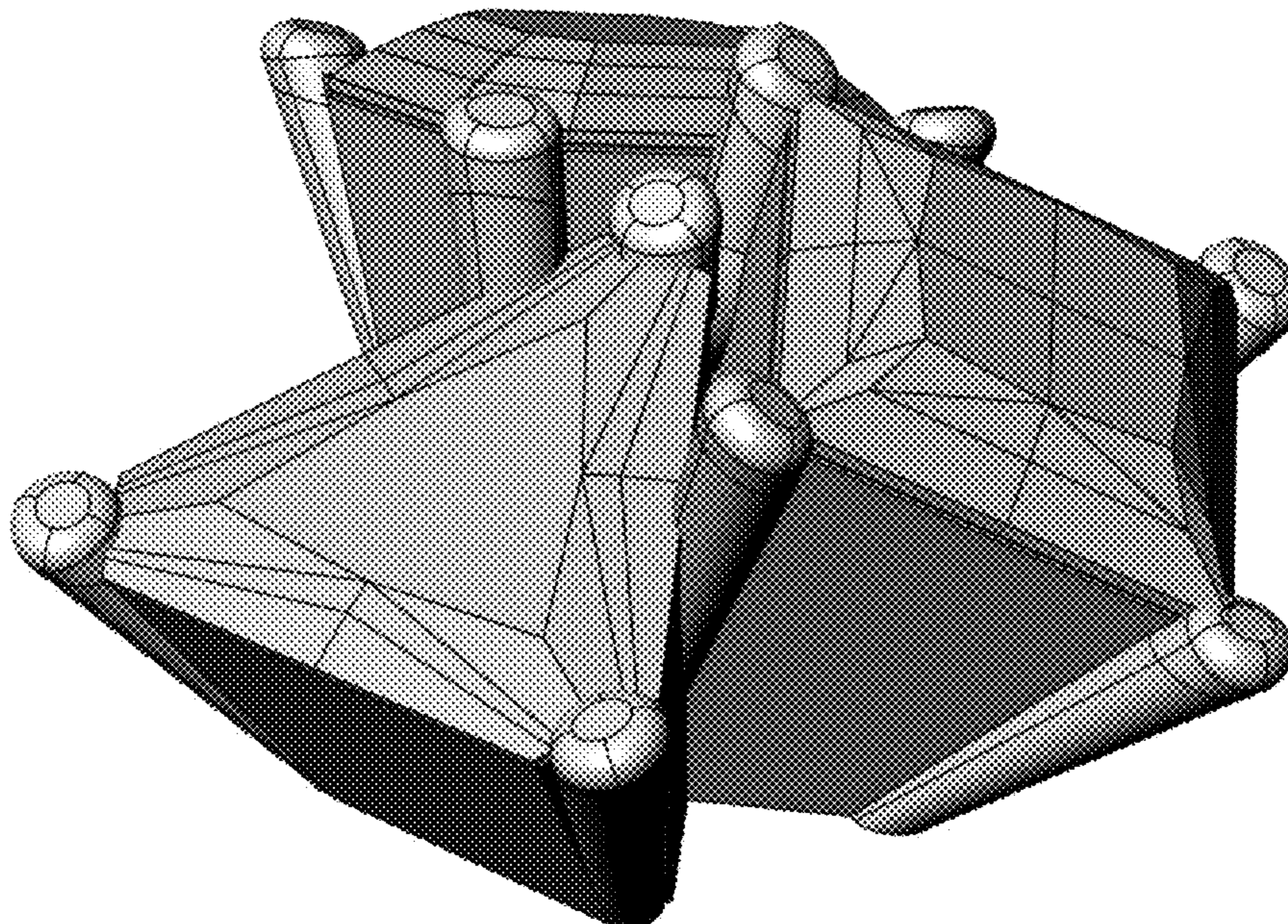
USPC ..... D11/1, 2, 26-42, 79-86, 91, 92;  
63/26-28  
CPC ..... A44C 9/00; A44C 9/0007; A44C 9/0015;  
A44C 9/0023; A44C 9/003; A44C  
9/0038; A44C 9/0046; A44C 9/0053;  
A44C 9/0061; A44C 9/0069; A44C  
9/0076; A44C 17/02; A44C 17/0208;  
A44C 17/0216; A44C 17/0225; A44C  
17/0233; A44C 17/0241; A44C 17/025;  
A44C 17/0258; A44C 17/0266; A44C  
17/0275; A44C 17/0283; A44C 17/0291

1. Jewellery

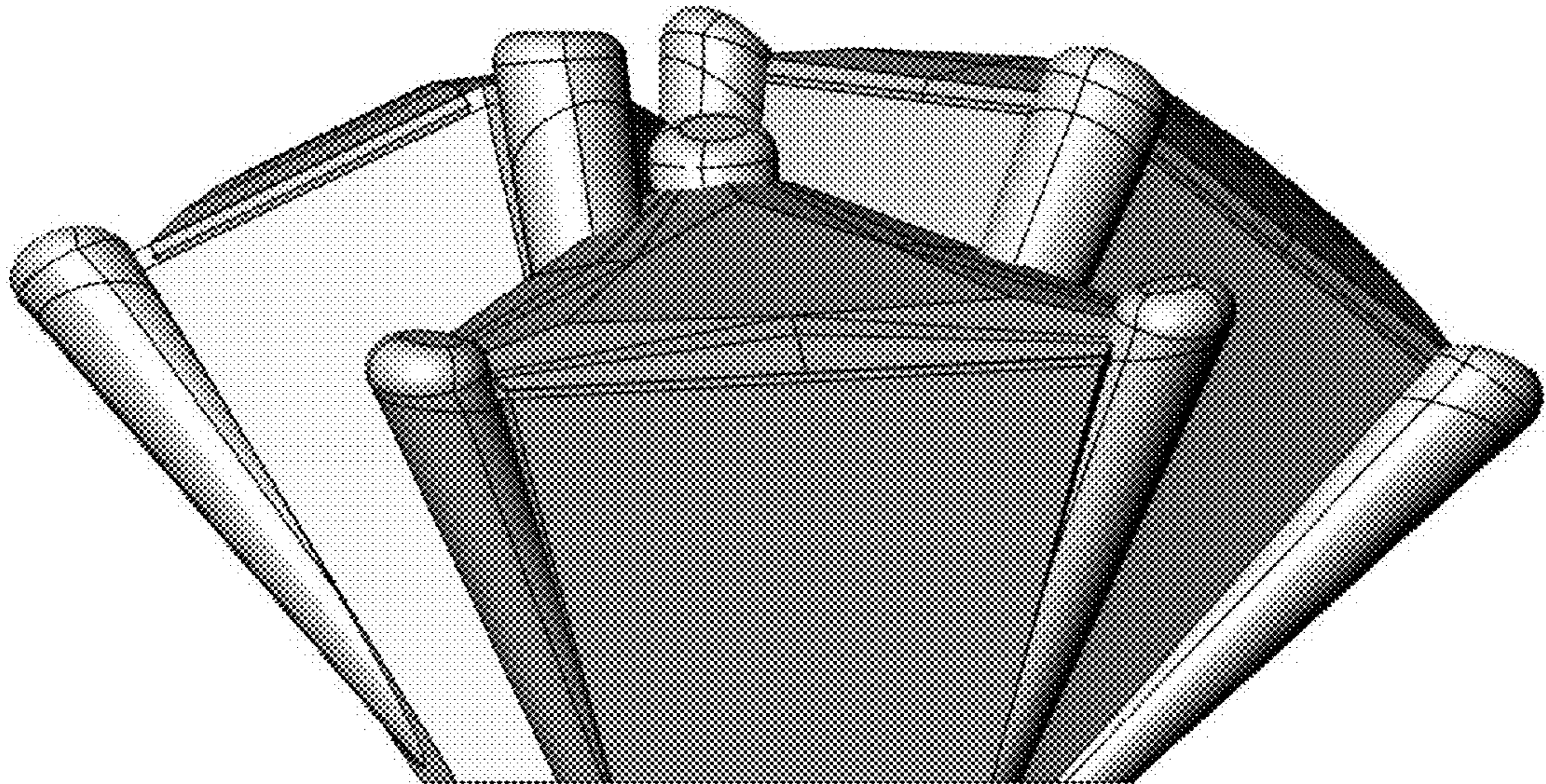
Fig. 1.1 is a front view of the new design; fig. 1.2 is back view of the new design; fig. 1.3 is a top view of the new design; fig. 1.4 is a bottom view of the new design; fig. 1.5 is a right view of the new design; fig. 1.6 is a left view of the new design; fig. 1.7 is an isometric (perspective) top right view of the new design; fig. 1.8 is an isometric (perspective) top left view of the new design; fig. 1.9 is an isometric (perspective) top view of the new design.

See application file for complete search history.

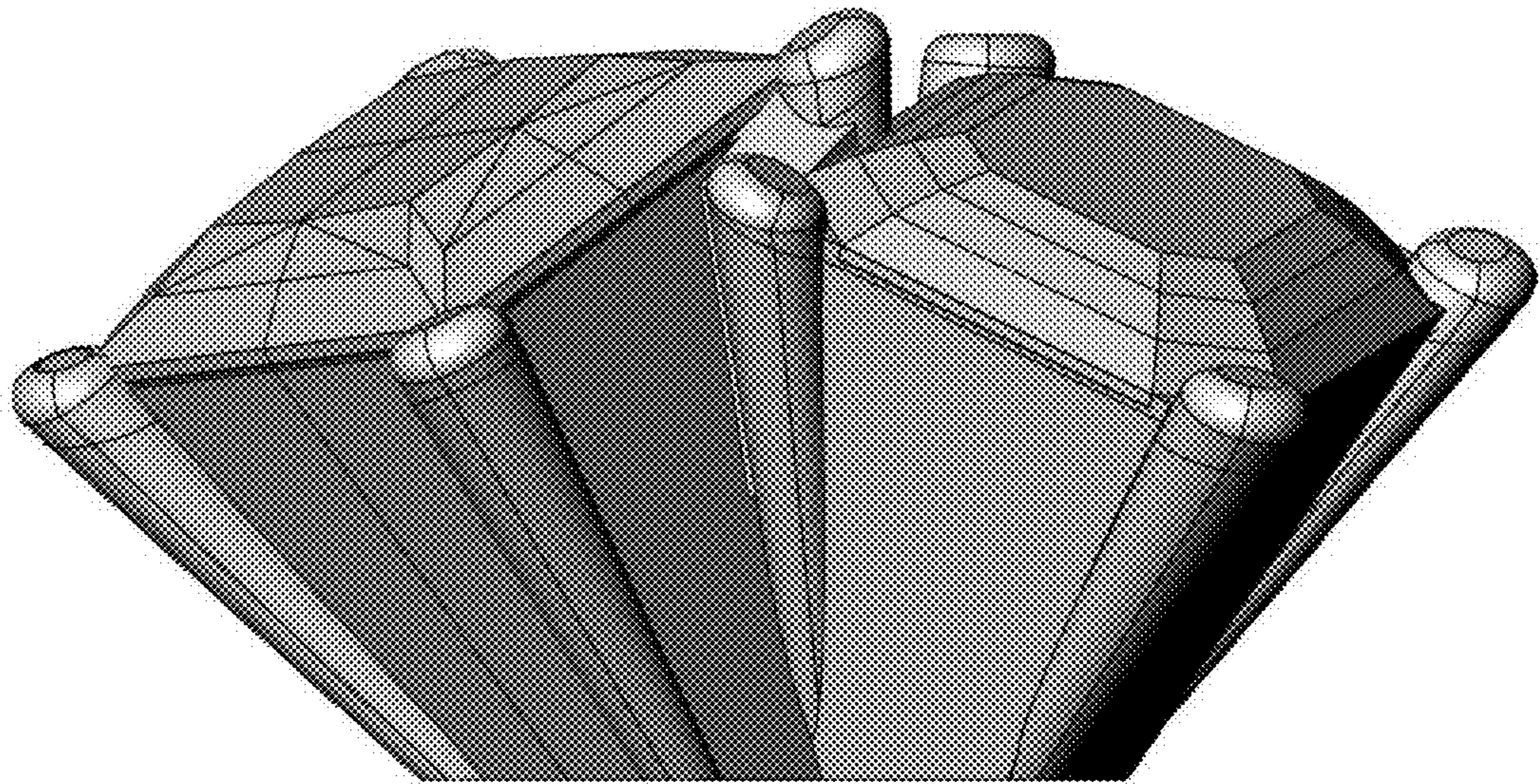
**1 Claim, 9 Drawing Sheets**



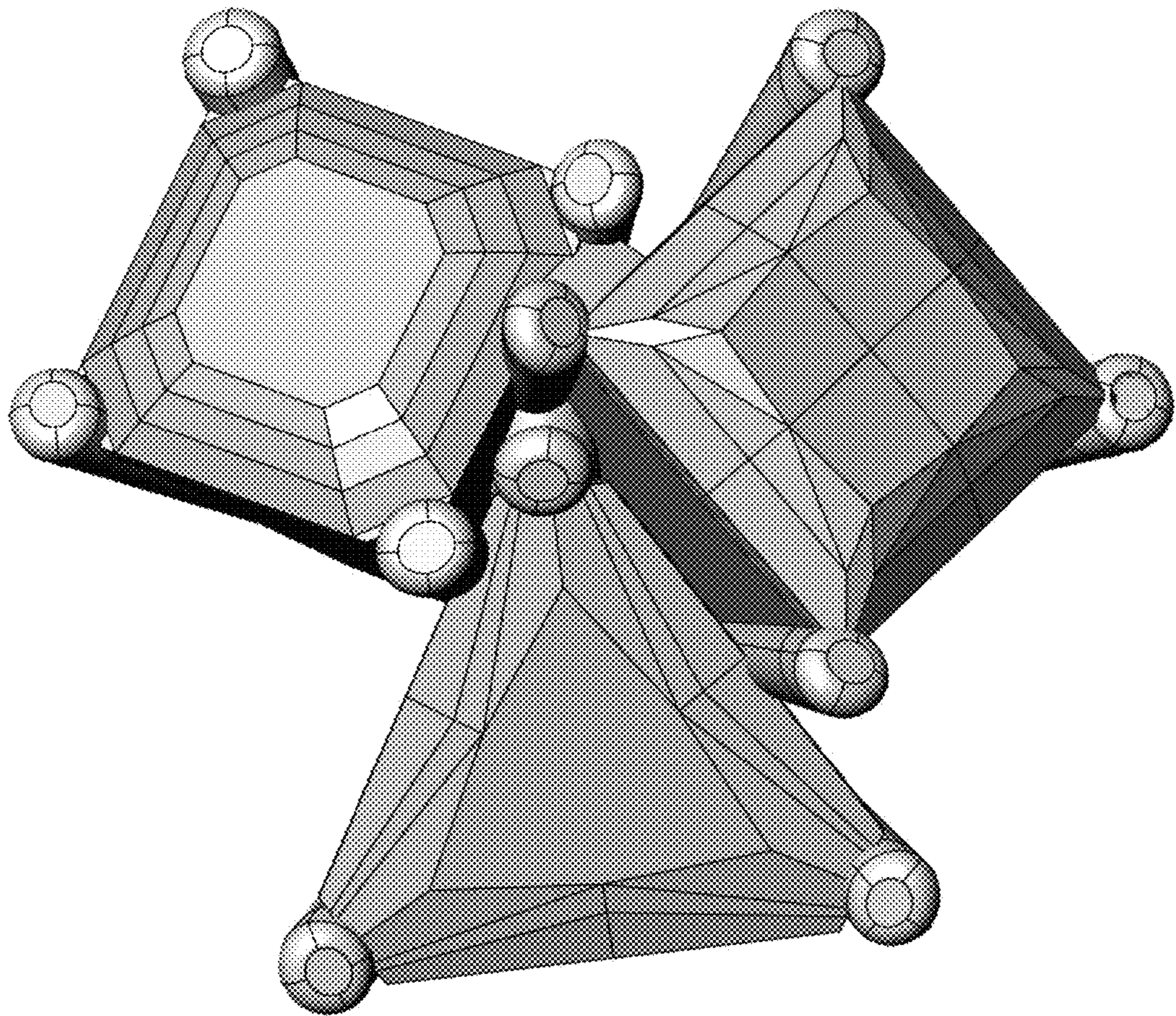
1.1



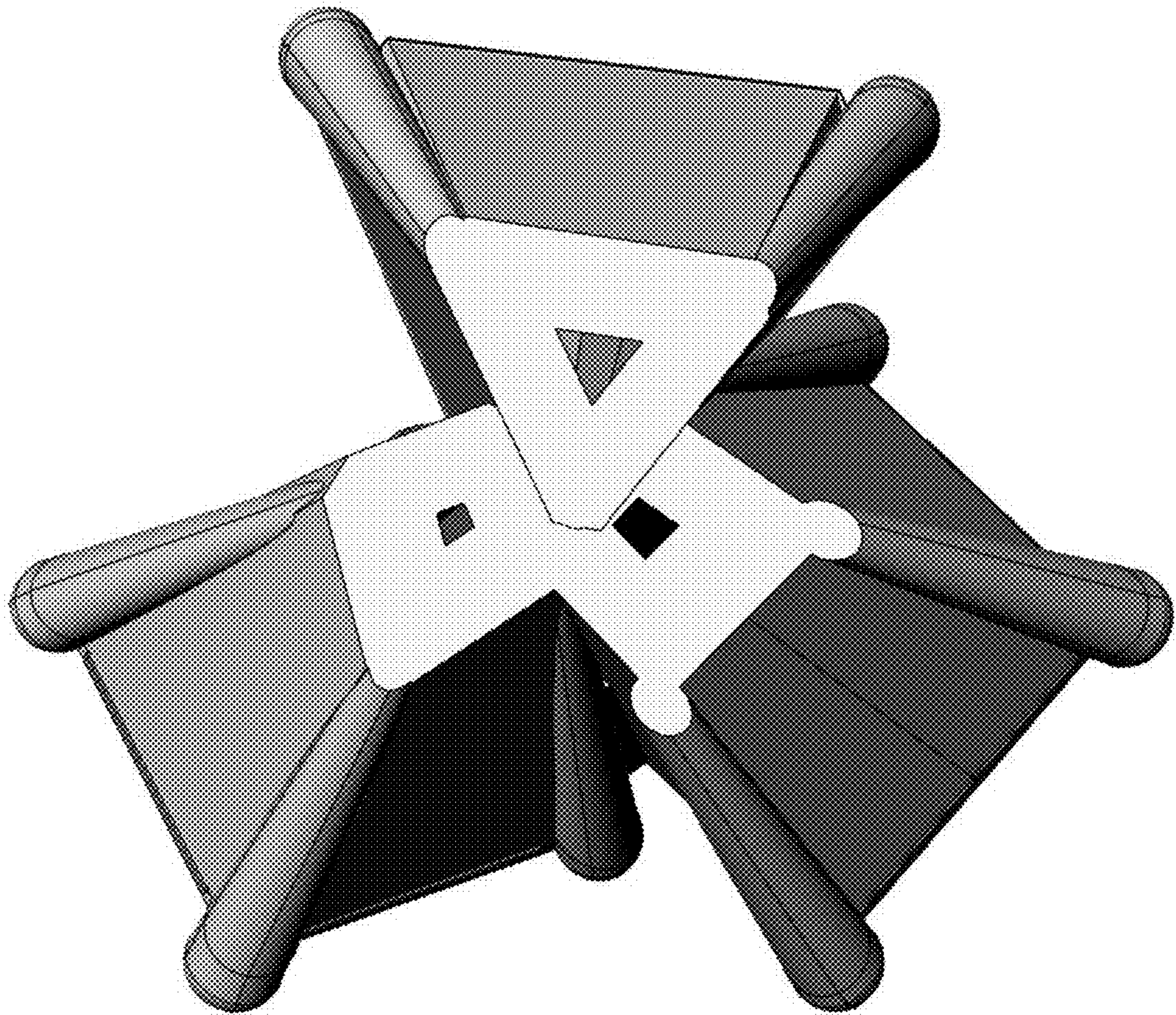
1.2



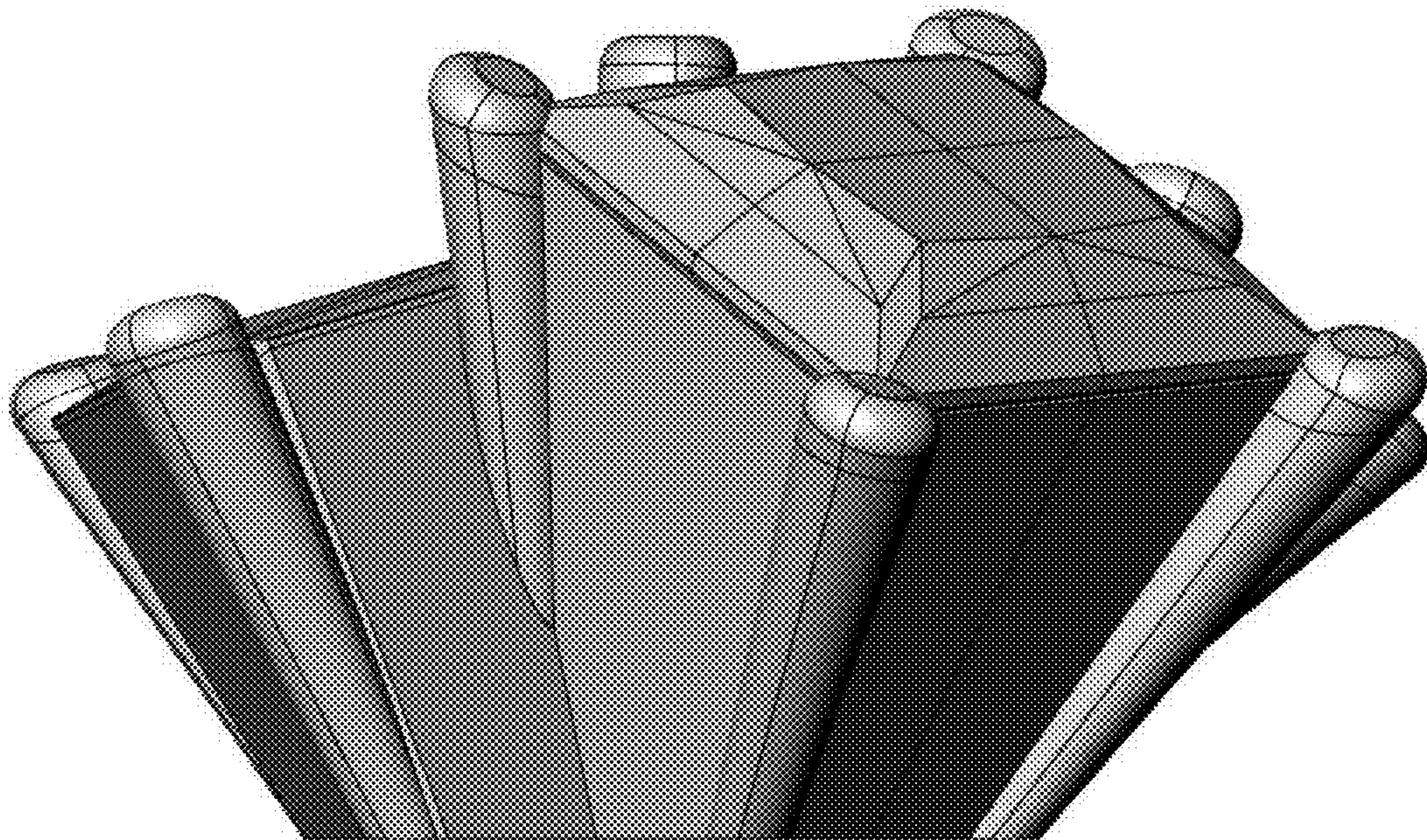
1.3



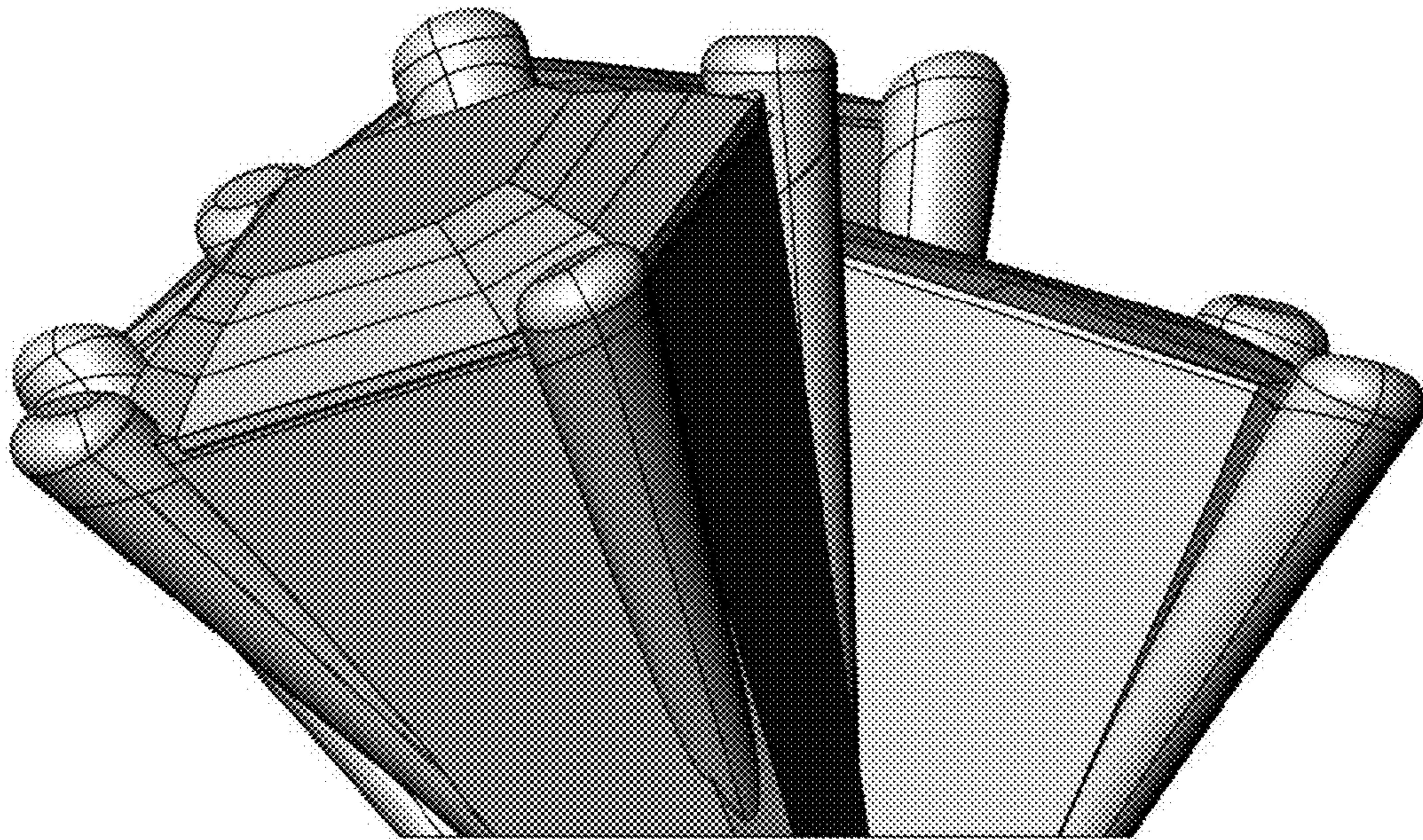
1.4



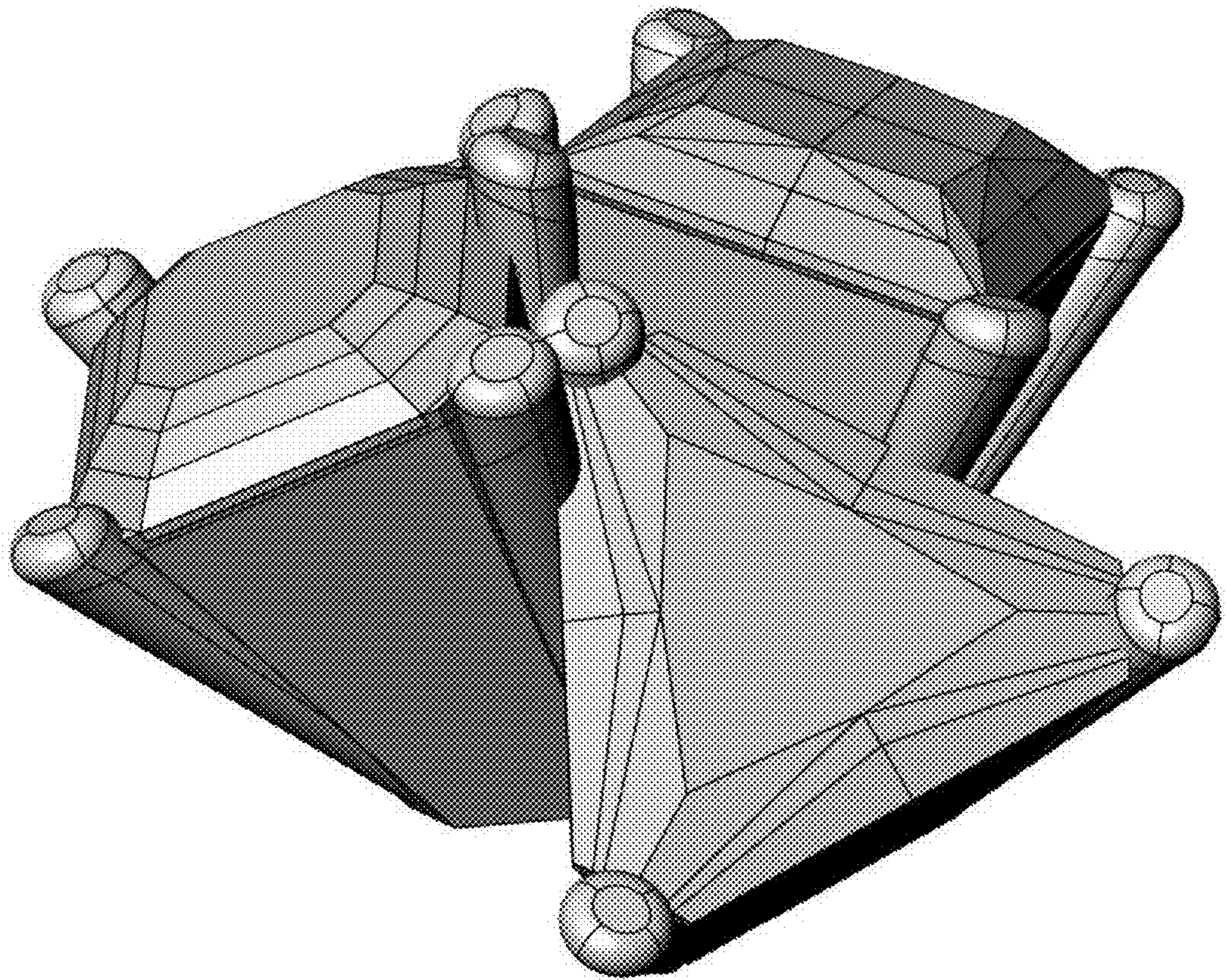
1.5



1.6

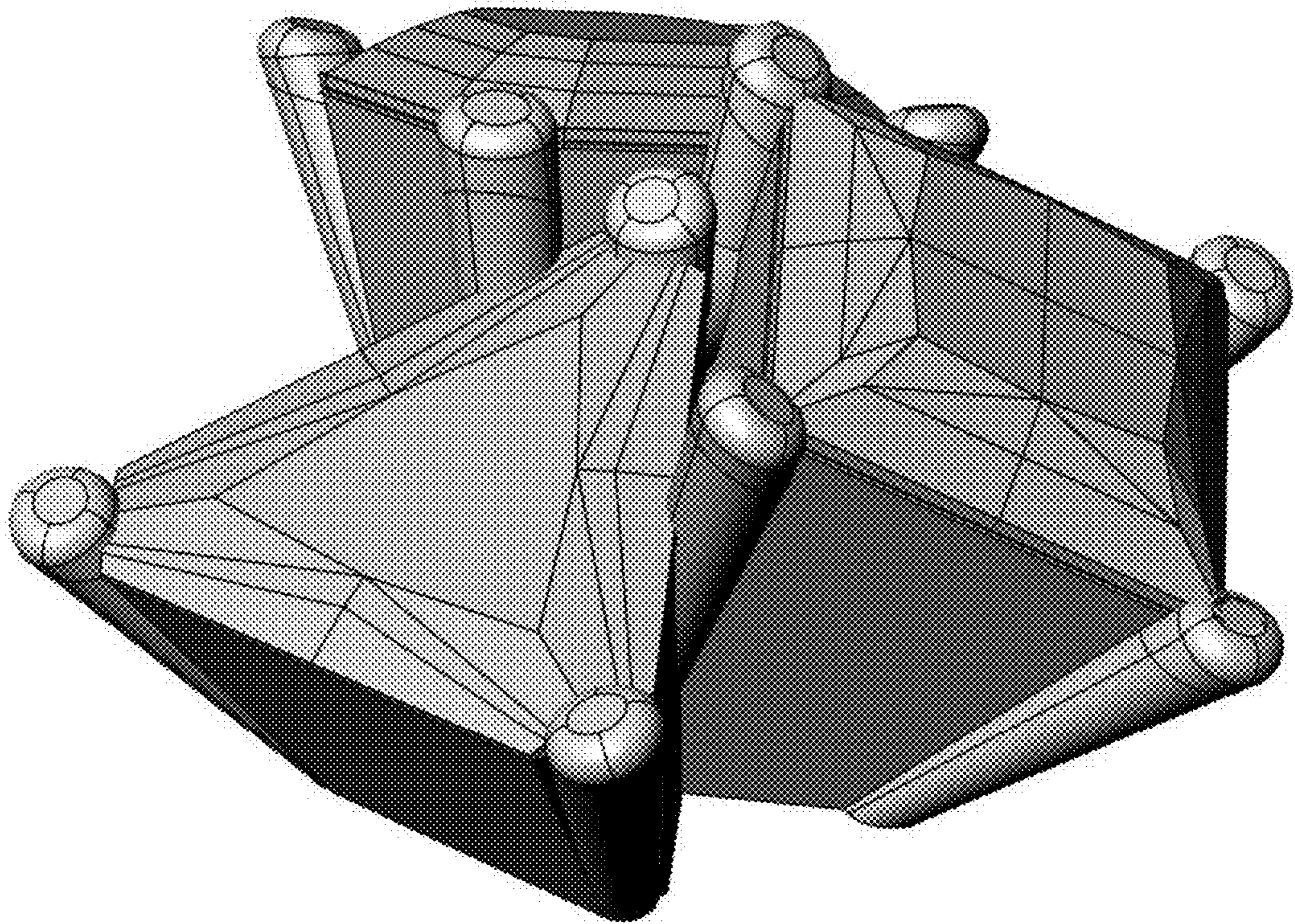


1.7





1.8



1.9

