



US00D883842S

(12) **United States Design Patent** (10) **Patent No.:** **US D883,842 S**  
**Avni** (45) **Date of Patent:** **\*\* May 12, 2020**

(54) **JEWELLERY**  
(71) Applicant: **Âme Creations LLC**, New York, NY (US)  
(72) Inventor: **Elinor Avni**, Tel Aviv (IL)  
(73) Assignee: **ÂME CREATIONS, LLC.**, New York, NY (US)  
(\*\*) Term: **15 Years**  
(21) Appl. No.: **35/506,840**  
(22) Filed: **Mar. 16, 2019**  
(80) **Hague Agreement Data**  
Int. Filing Date: **Mar. 16, 2019**  
Int. Reg. No.: **DM/201129**  
Int. Reg. Date: **Mar. 16, 2019**  
Int. Reg. Pub. Date: **May 31, 2019**

(51) **LOC (12) Cl.** ..... **11-01**  
(52) **U.S. Cl.**  
USPC ..... **D11/34**  
CPC ..... **A44C 15/00** (2013.01)  
(58) **Field of Classification Search**  
USPC ..... D11/1-23, 26, 37, 38, 43, 45  
CPC ... A44C 15/00; A44C 15/0045; A44C 15/005;  
A44C 15/0055; A44C 9/00; A44C  
9/0007; A44C 9/0015; A44C 13/00; A44C  
5/00; A44C 5/0084; A44C 5/0092; A44C  
11/00

See application file for complete search history.

(56) **References Cited**  
U.S. PATENT DOCUMENTS

1,412,011 A \* 4/1922 Bohm ..... A44B 15/00  
70/456 R  
D115,719 S \* 7/1939 Miller et al. .... D11/200  
D127,740 S \* 6/1941 Montmartin ..... D11/202  
2,941,213 A \* 6/1960 Eliasberg ..... A44B 6/00  
2/154

4,362,031 A \* 12/1982 Obermuller ..... A44C 9/0015  
63/15  
D279,463 S \* 7/1985 Barr ..... D11/56  
D355,867 S \* 2/1995 Kelman ..... D11/91  
D403,618 S \* 1/1999 Fildan ..... D11/210  
D488,371 S \* 4/2004 Shaljian ..... D8/354  
D492,188 S \* 6/2004 Goldberg ..... D8/356  
D513,860 S \* 1/2006 Choi ..... D2/976  
D575,654 S \* 8/2008 Maier ..... D11/3  
D575,655 S \* 8/2008 Maier ..... D11/3  
D595,177 S \* 6/2009 Strauzer ..... D11/79  
D658,528 S \* 5/2012 Rafaelian ..... D11/3  
D658,531 S \* 5/2012 Nazarenko ..... D11/79  
D659,046 S \* 5/2012 Papadimitriou ..... D11/79  
D703,577 S \* 4/2014 Cipolla ..... D11/93  
D763,721 S \* 8/2016 Greppi ..... D11/1  
D770,322 S \* 11/2016 Ban ..... D11/13  
D772,752 S \* 11/2016 Weems ..... D11/79  
D774,122 S \* 12/2016 Ganovsky ..... D16/101  
9,521,881 B2 \* 12/2016 Bachtold ..... A44B 11/04  
D775,545 S \* 1/2017 Weems ..... D11/79  
D783,443 S \* 4/2017 Bresser ..... D11/1  
D810,608 S \* 2/2018 Heller ..... D11/79  
D810,609 S \* 2/2018 Heller ..... D11/79  
D872,606 S \* 1/2020 Green ..... D11/1  
D872,641 S \* 1/2020 Jung ..... D11/157

(Continued)

*Primary Examiner* — Richard E Chilcot  
(74) *Attorney, Agent, or Firm* — Wenderoth, Lind & Ponack, L.L.P.

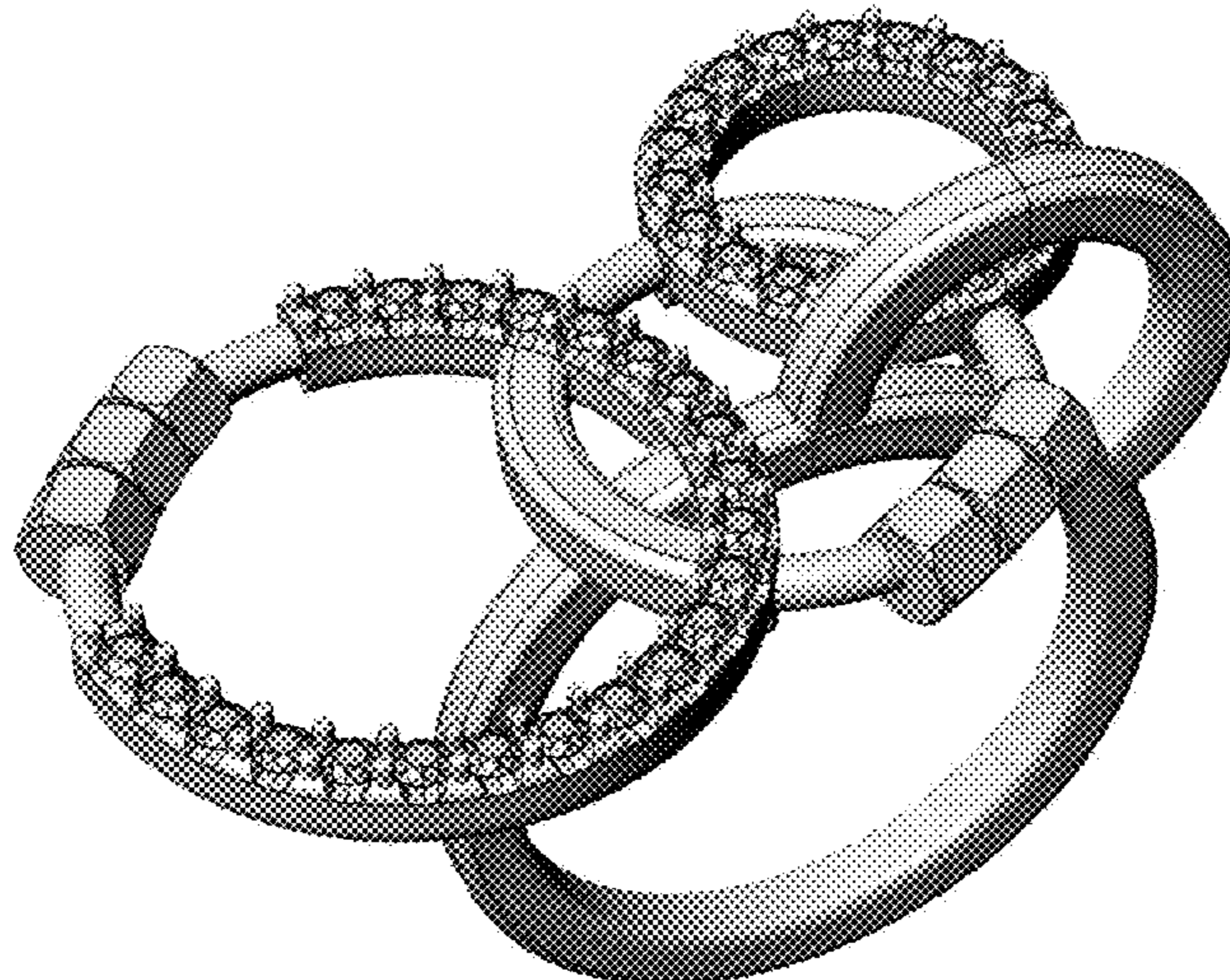
(57) **CLAIM**

The ornamental design for jewellery, as shown and described.

**DESCRIPTION**

1. Jewellery  
FIG. 1.1 is a front view of the new design; FIG. 1.2 is back view of the new design; FIG. 1.3 is a top view of the new design; FIG. 1.4 is a bottom view of the new design; FIG. 1.5 is a right view of the new design; FIG. 1.6 is a left view of the new design; FIG. 1.7 is an isometric (perspective) view of the new design.

**1 Claim, 7 Drawing Sheets**



(56)

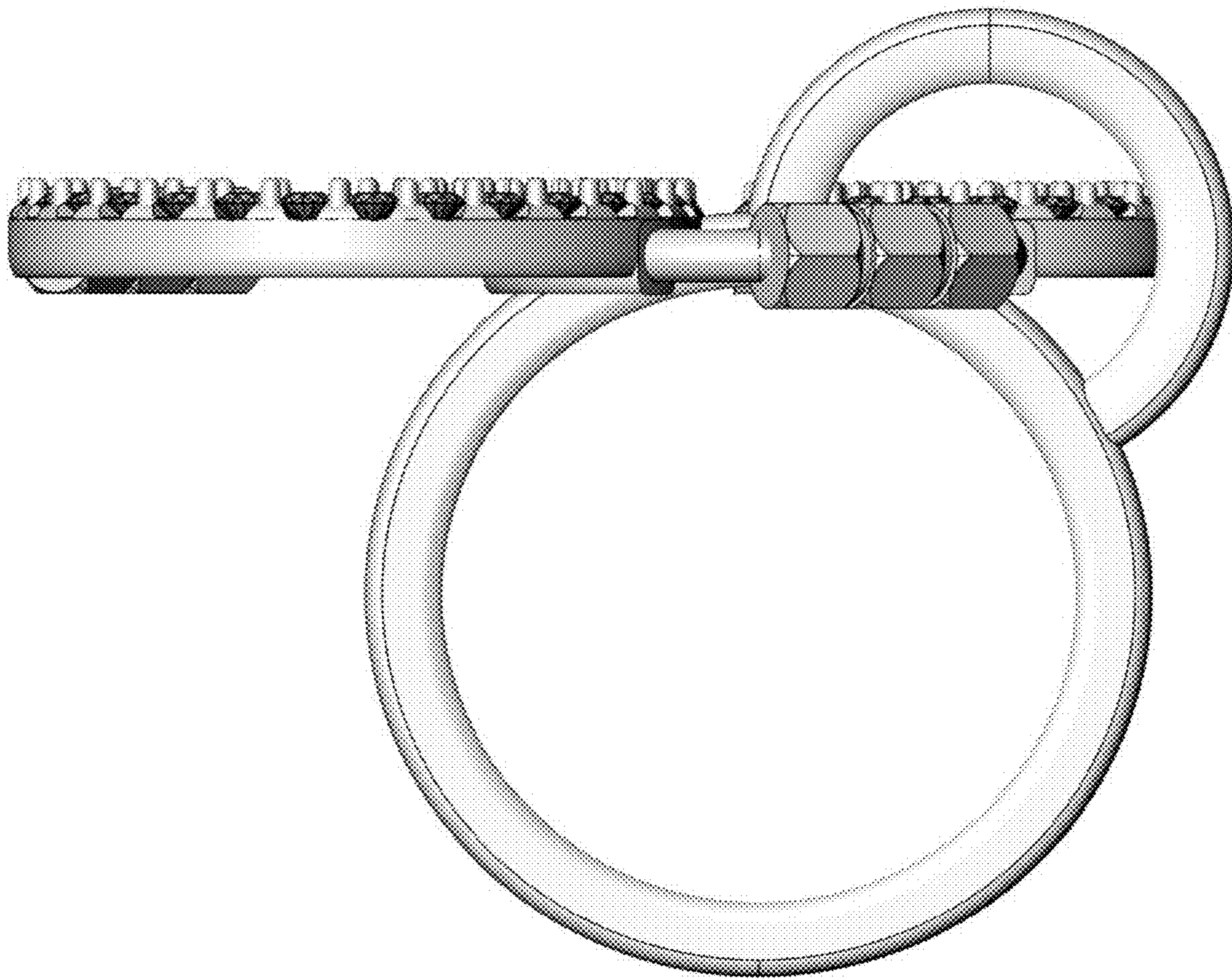
**References Cited**

U.S. PATENT DOCUMENTS

2013/0199239 A1\* 8/2013 Walker ..... A44C 15/003  
63/33  
2015/0089976 A1\* 4/2015 Alulis ..... A44C 25/002  
63/21

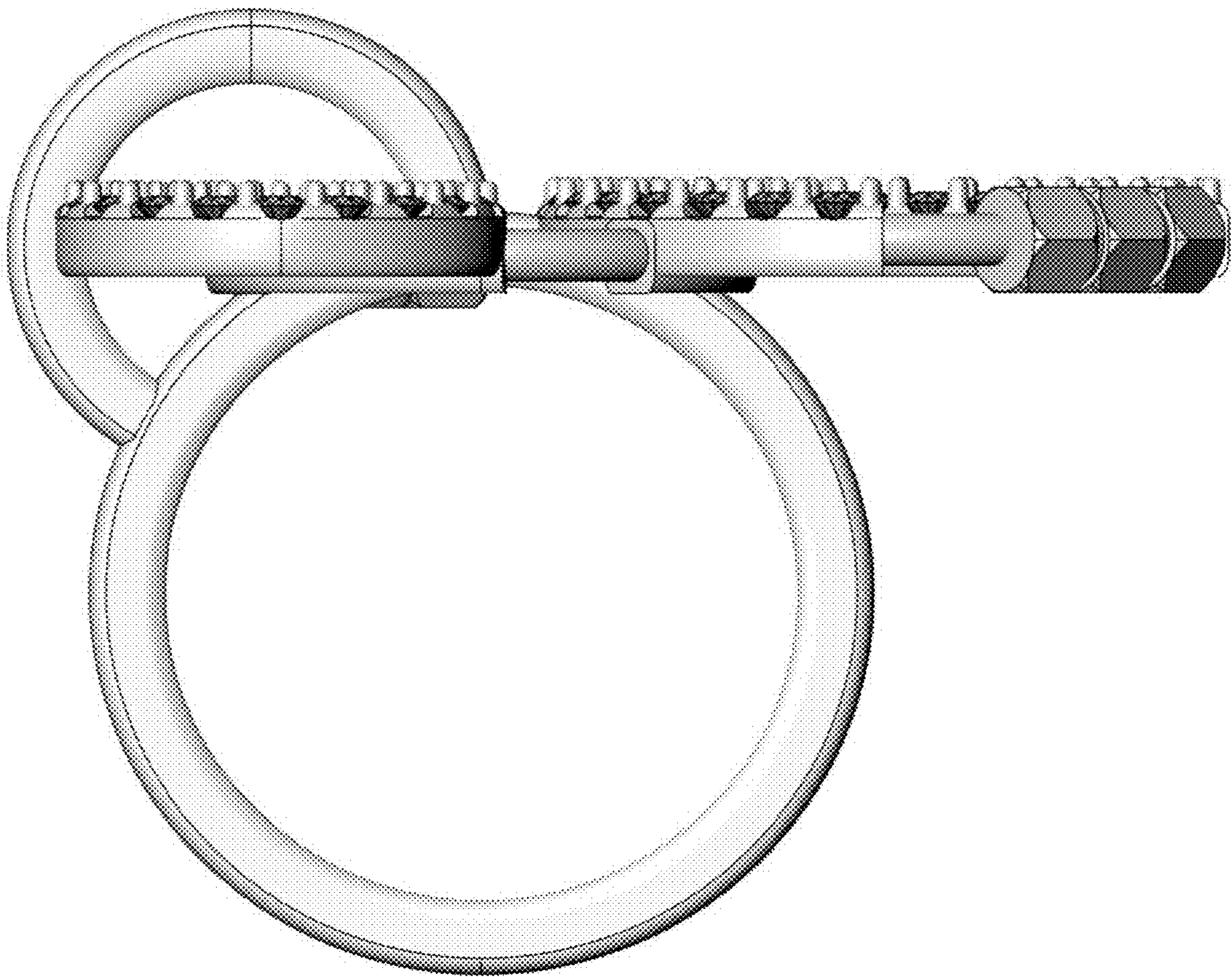
\* cited by examiner

1.1

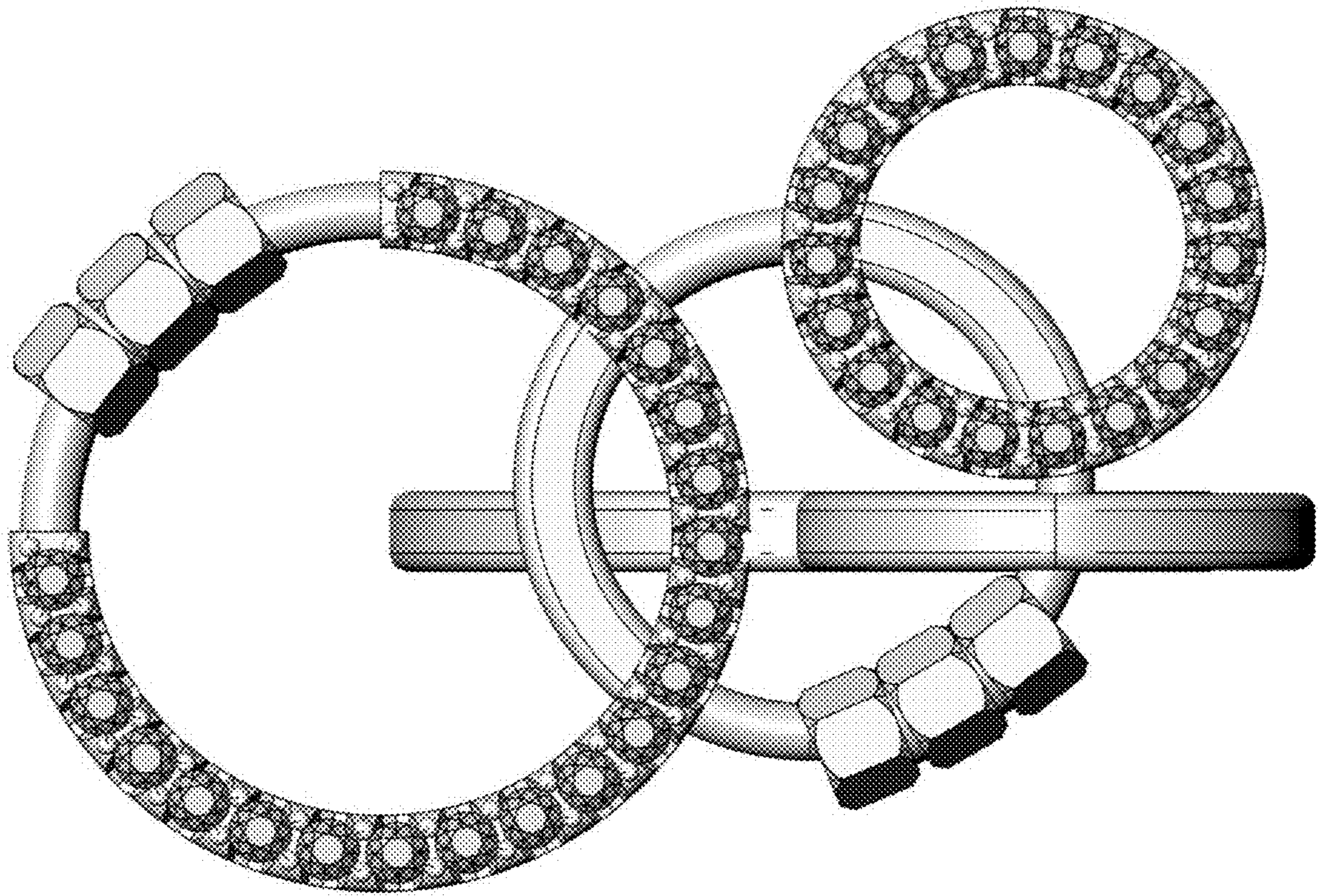




1.2

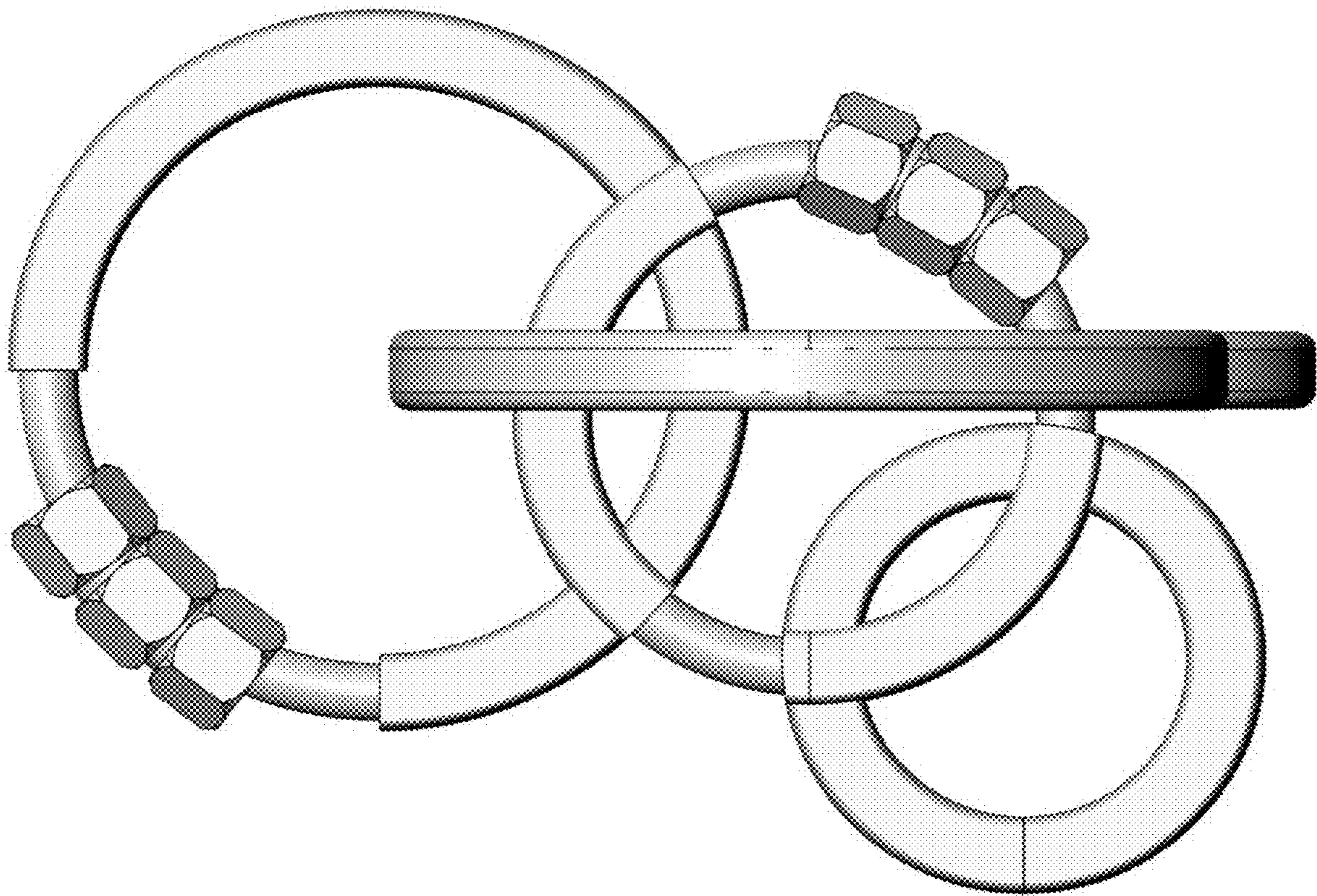


1.3

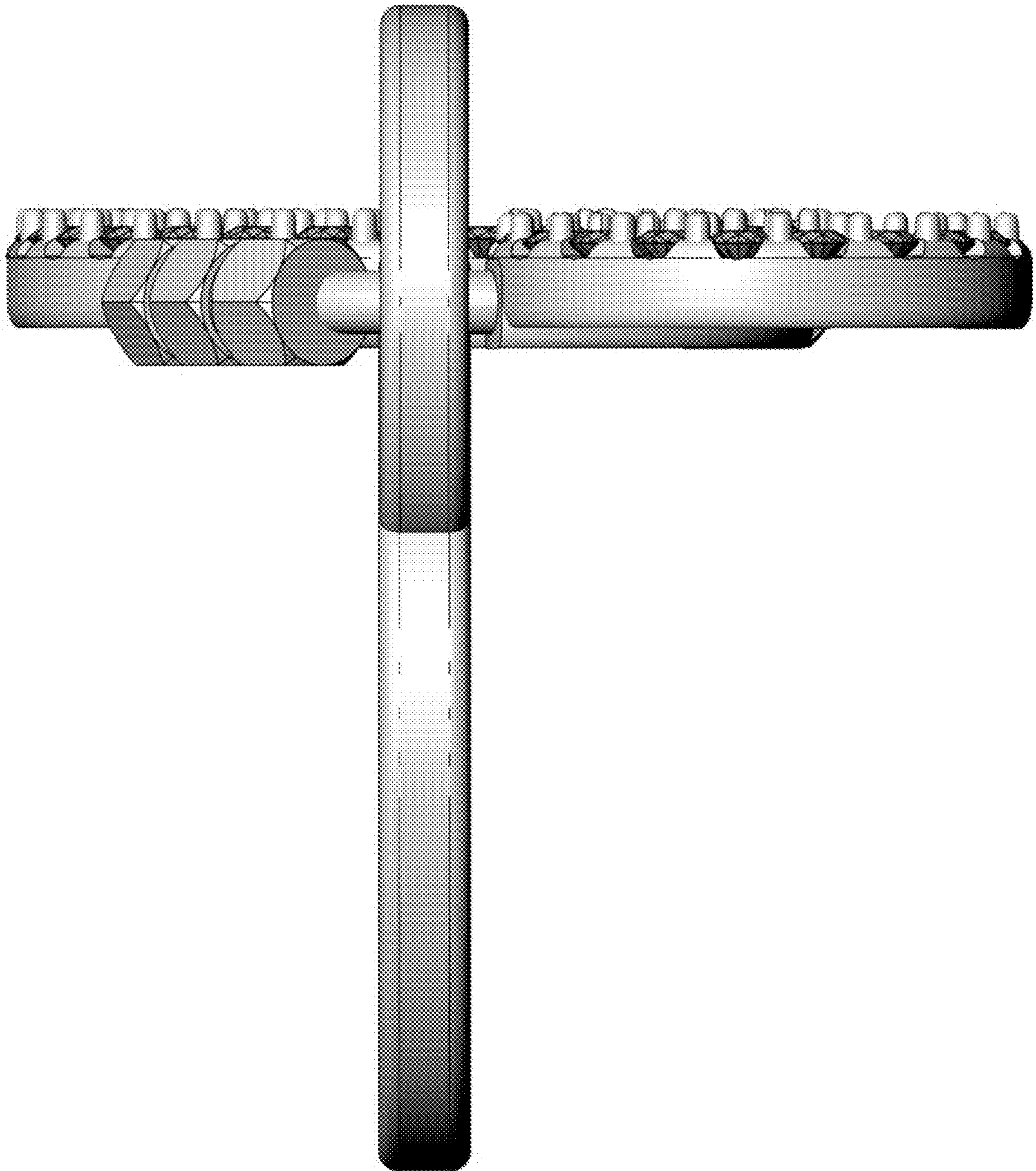




1.4

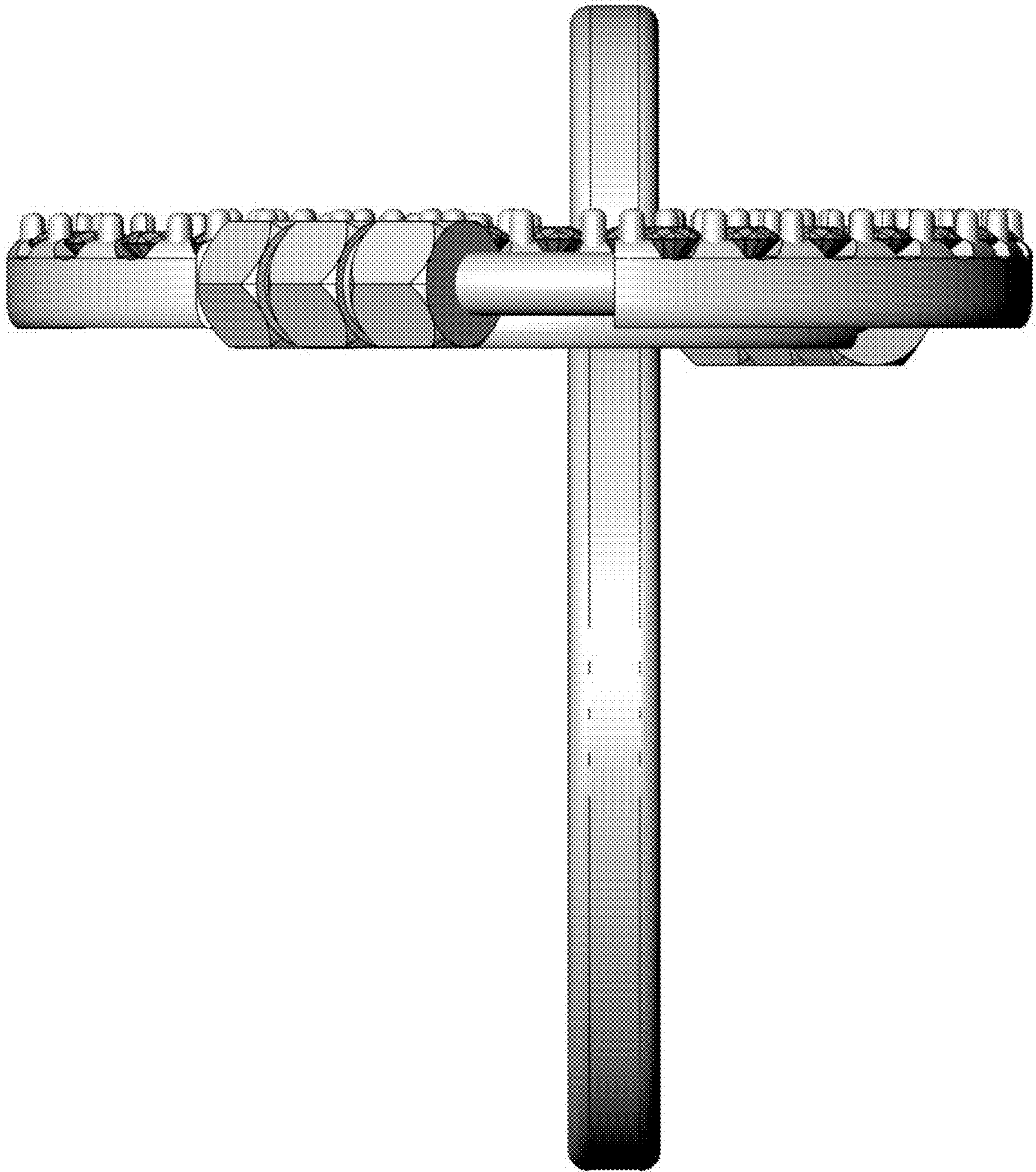


1.5





1.6





1.7

