



US00D883838S

(12) **United States Design Patent** (10) **Patent No.:** **US D883,838 S**  
**Deng et al.** (45) **Date of Patent:** **\*\* May 12, 2020**

(54) **STRAP**  
(71) Applicant: **SHENZHEN BAILINNAO TECHNOLOGY CO., LTD.**, Shenzhen (CN)  
(72) Inventors: **Jianjie Deng**, Guilin (CN); **Xu Guang Zou**, Yueyang (CN)  
(73) Assignee: **SHENZHEN BAILINNAO TECHNOLOGY CO., LTD.**, Shenzhen (CN)  
(\*\*) Term: **15 Years**

D391,882 S 3/1998 Roales  
D491,829 S \* 6/2004 Seifert ..... D11/3  
D599,217 S \* 9/2009 Chen ..... D10/32  
D652,756 S \* 1/2012 Lans ..... D11/3  
D653,148 S \* 1/2012 Bekker ..... D11/3  
D656,856 S \* 4/2012 Kleinberg ..... D11/3  
D660,740 S \* 5/2012 Cullen ..... D11/3  
D675,123 S \* 1/2013 Nunez ..... D11/3  
D686,217 S \* 7/2013 Andre ..... D11/2

(Continued)

Primary Examiner — Llorellys Martinez

(57) **CLAIM**

The ornamental design for a strap, as shown and described.

**DESCRIPTION**

(21) Appl. No.: **29/715,326**  
(22) Filed: **Dec. 2, 2019**  
(51) **LOC (12) Cl.** ..... **11-01**  
(52) **U.S. Cl.**  
USPC ..... **D11/3**  
(58) **Field of Classification Search**  
USPC ..... D11/1-6; D10/30, 31, 32, 38, 70;  
D14/344; D24/167  
CPC .... G04B 37/1486; G04B 37/16; G04B 37/18;  
A44C 5/00; A44C 5/0007; A44C 5/0053;  
A44C 5/14; A44C 5/16  
See application file for complete search history.

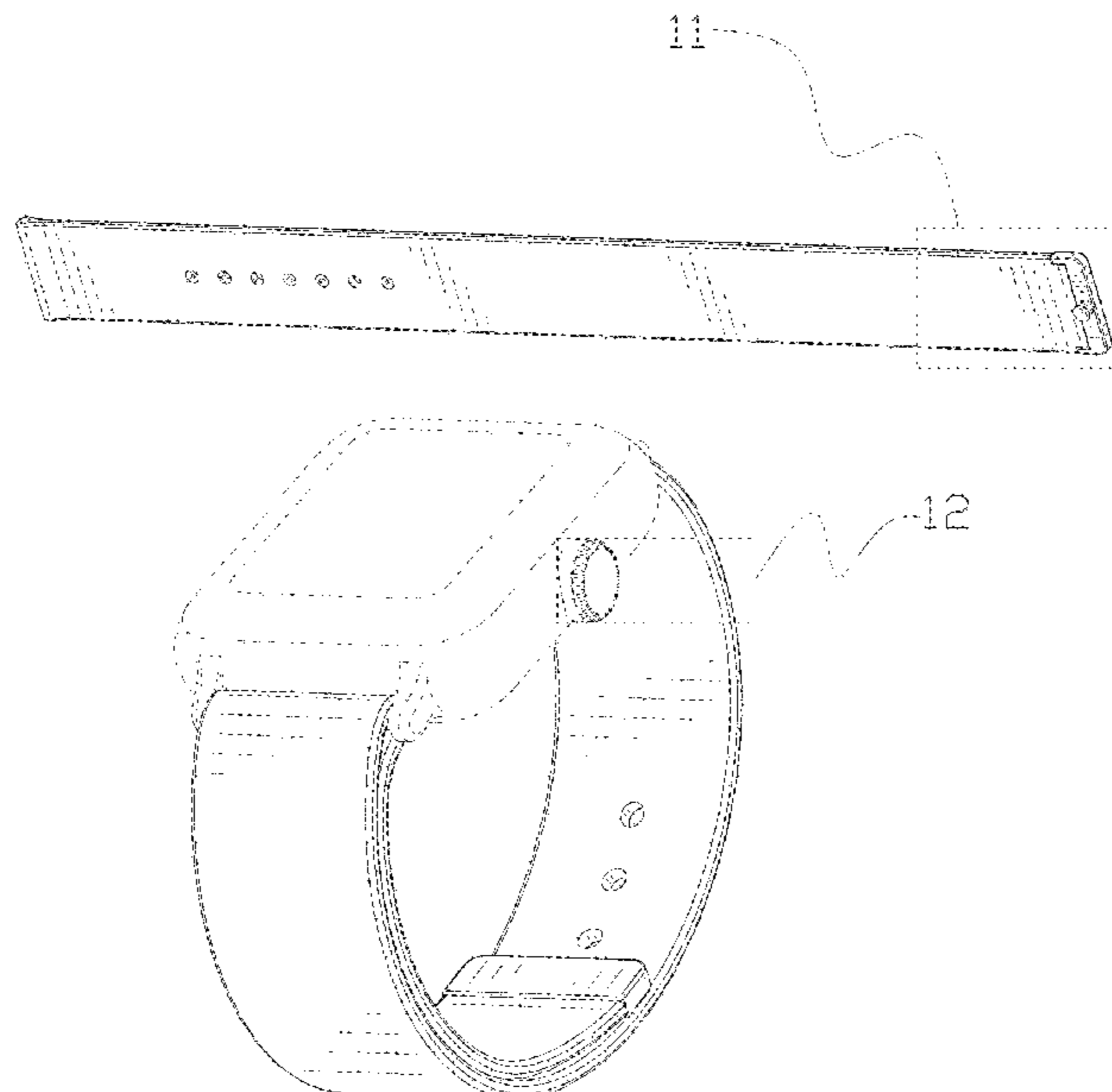
FIG. 1 is a perspective view of a strap showing my new design;  
FIG. 2 is another perspective view thereof;  
FIG. 3 is a front elevational view thereof;  
FIG. 4 is a rear elevational view thereof;  
FIG. 5 is a left side elevational view thereof;  
FIG. 6 is a right side elevational view thereof;  
FIG. 7 is a top plan view thereof;  
FIG. 8 is a bottom plan view thereof;  
FIG. 9 is a perspective view of the strap where the strap is in a configuration of use;  
FIG. 10 is a perspective view of the strap where the strap is in another configuration of use;  
FIG. 11 is an enlarged view of portion 11 shown in FIG. 1;  
FIG. 12 is an enlarged view of portion 12 shown in FIG. 9; and,  
FIG. 13 is an enlarged view of portion 13 shown in FIG. 10.  
The broken lines in the drawings illustrate portions of the strap that form no part of the claimed design. The other broken lines in FIG. 9 and FIG. 10, showing a watch device, represent environmental subject matter only and form no part of the claimed design.

(56) **References Cited**

**U.S. PATENT DOCUMENTS**

1,726,773 A \* 9/1929 Speidel ..... A44B 11/223  
D11/3  
D136,736 S \* 11/1943 Mercer ..... D11/3  
4,068,355 A \* 1/1978 Rey ..... A44C 5/14  
24/265 R  
4,194,355 A \* 3/1980 Nishida ..... G04B 37/1486  
368/204  
D344,038 S 2/1994 Phillips et al.  
D382,827 S 8/1997 Woo et al.

**1 Claim, 13 Drawing Sheets**



(56)

**References Cited**

## U.S. PATENT DOCUMENTS

D703,755 S \* 4/2014 Joseph ..... D11/3  
D707,689 S \* 6/2014 Billington ..... D11/2  
D712,295 S \* 9/2014 Ennis ..... D11/3  
D748,624 S \* 2/2016 Magi ..... D14/344  
D750,070 S \* 2/2016 Magi ..... D14/344  
D757,001 S \* 5/2016 Kim ..... D14/344  
D779,356 S \* 2/2017 Thumm ..... D11/3  
D808,844 S \* 1/2018 Lee-Hearn ..... D11/5  
D816,080 S \* 4/2018 Chen ..... D14/344  
D854,961 S \* 7/2019 Akana ..... D11/3  
D857,543 S \* 8/2019 Sirichai ..... D11/3  
D863,095 S \* 10/2019 Akana ..... D11/3  
2008/0223889 A1 \* 9/2008 Rossell ..... A44C 5/0007  
224/222  
2016/0037878 A1 \* 2/2016 Yabe ..... A44C 5/147  
24/3.1  
2016/0282899 A1 \* 9/2016 Inagaki ..... G04B 37/1486  
2016/0299526 A1 \* 10/2016 Inagaki ..... A43B 3/0005  
2017/0224070 A1 \* 8/2017 Simones ..... A44C 17/0208  
2018/0112839 A1 \* 4/2018 Eivaz ..... A44C 5/0007  
2019/0029372 A1 \* 1/2019 Zhang ..... G04B 37/1486  
2019/0029373 A1 \* 1/2019 Shaffer ..... A44C 5/0053

\* cited by examiner

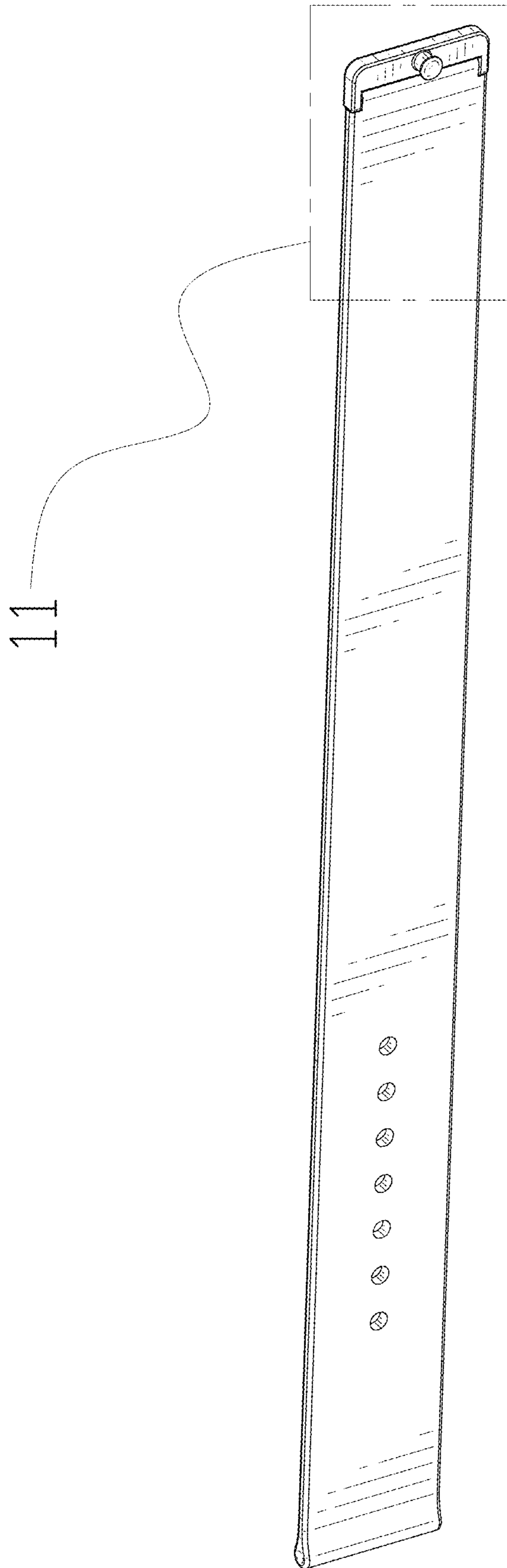


FIG. 1

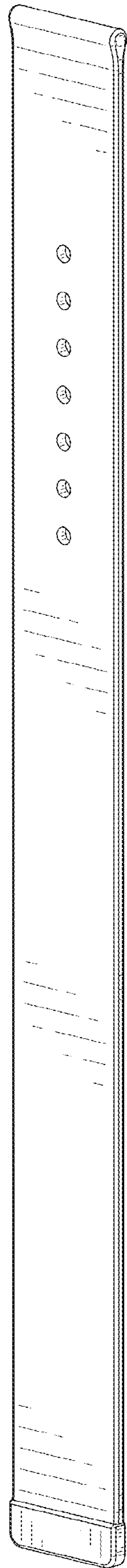


FIG. 2

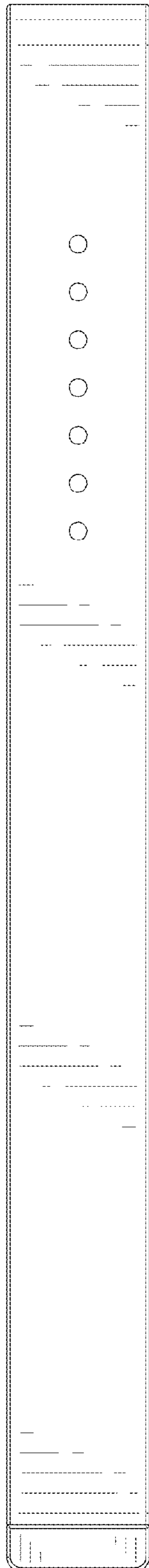


FIG. 3

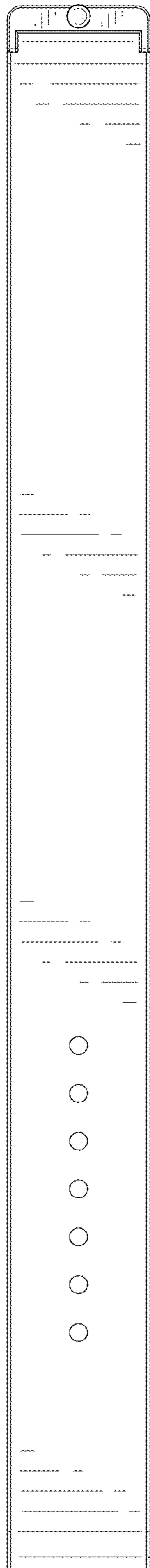


FIG. 4

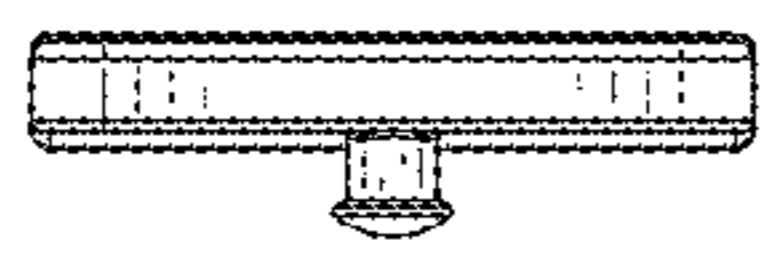


FIG. 5



FIG. 6



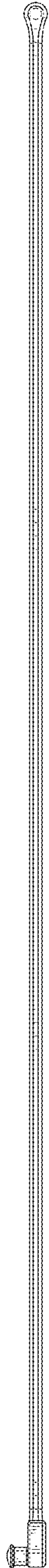


FIG. 7

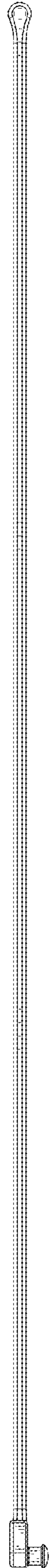


FIG. 8

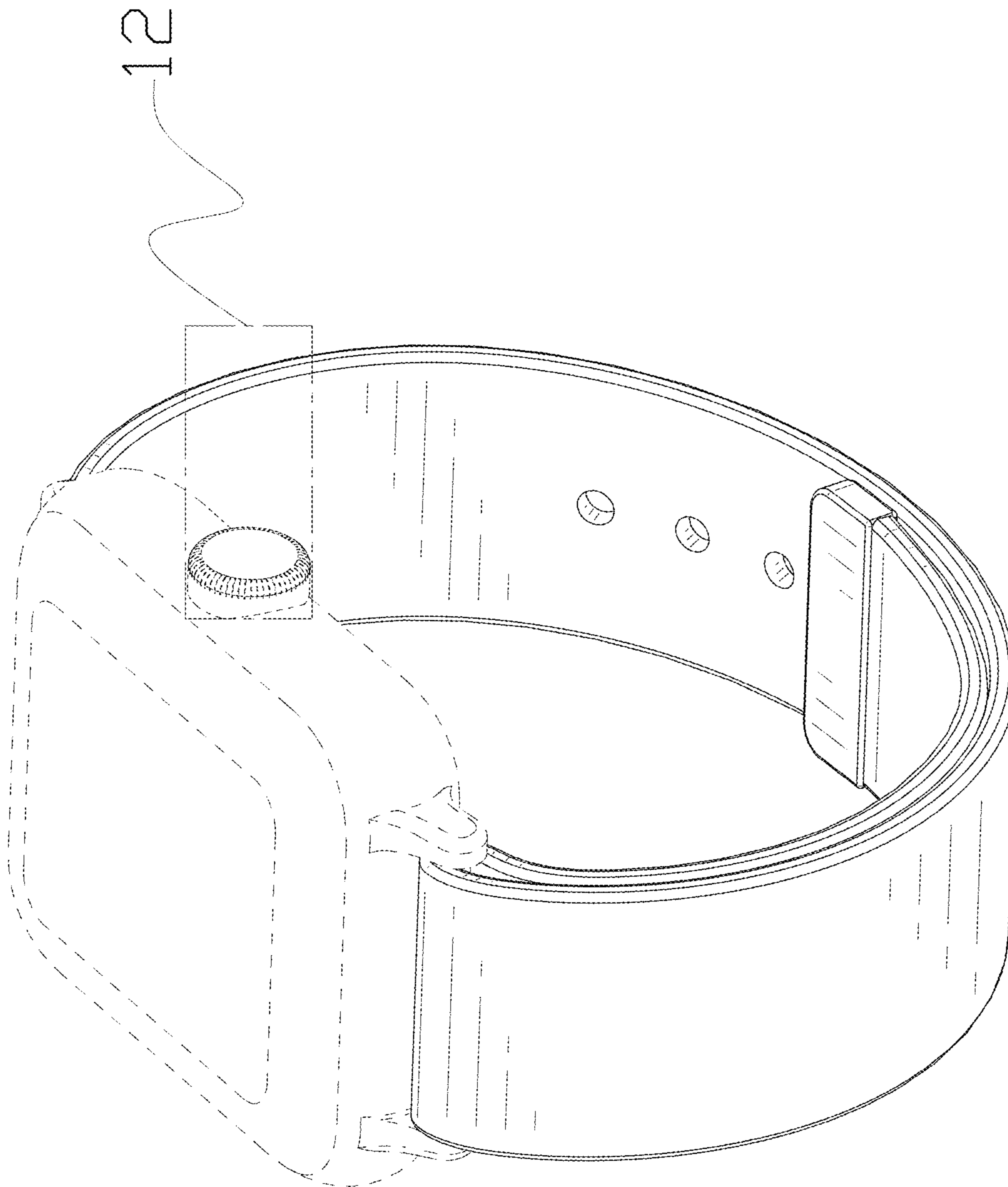


FIG. 9

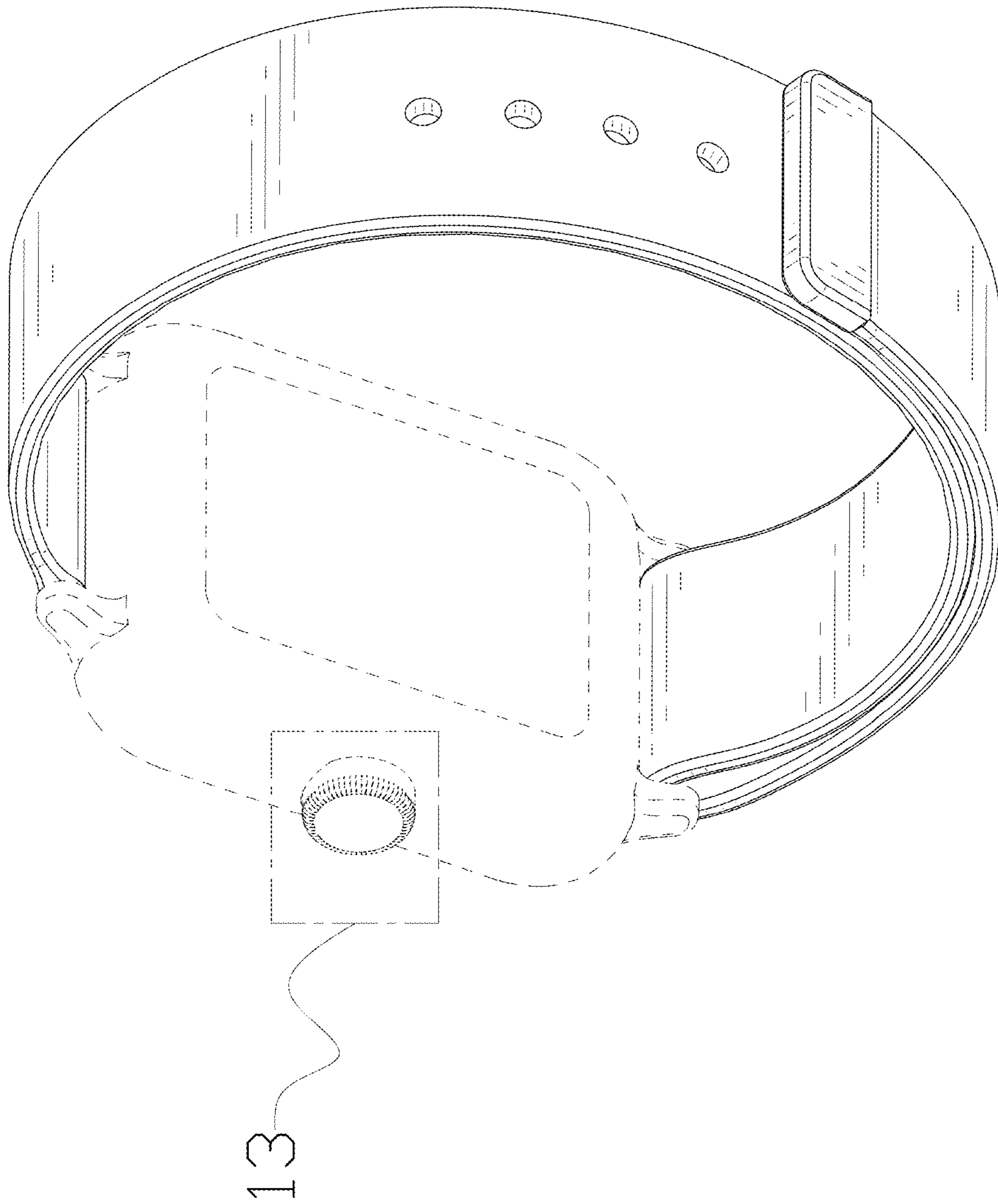


FIG. 10

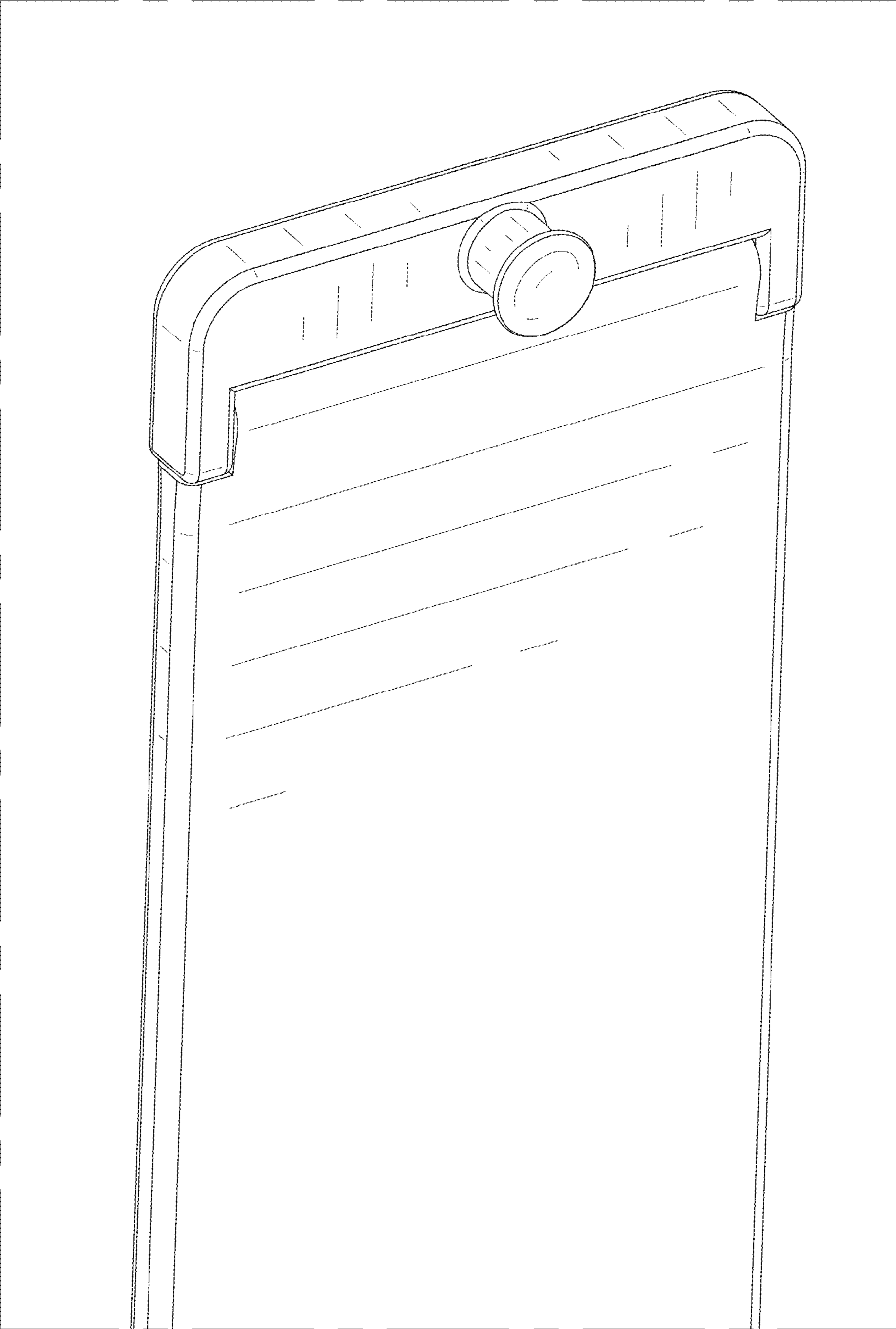


FIG. 11

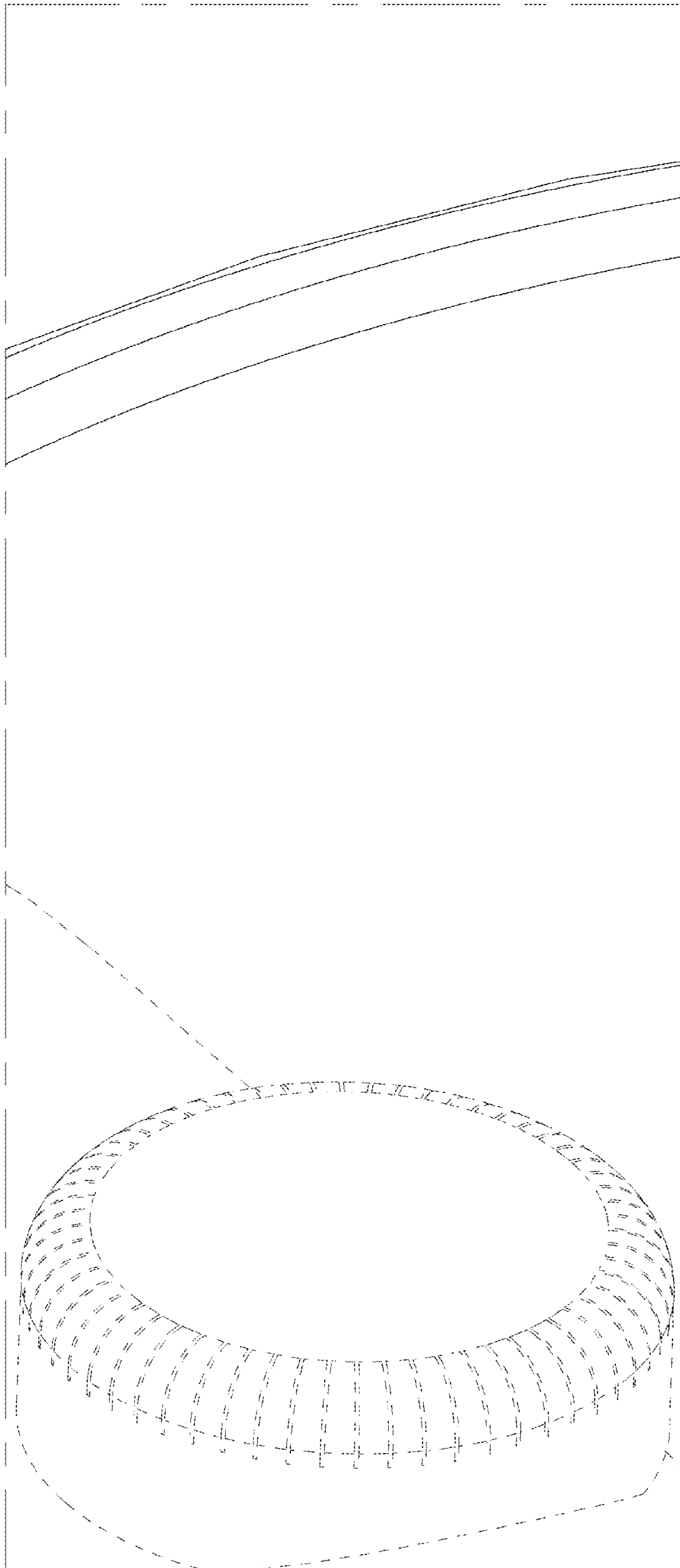


FIG. 12

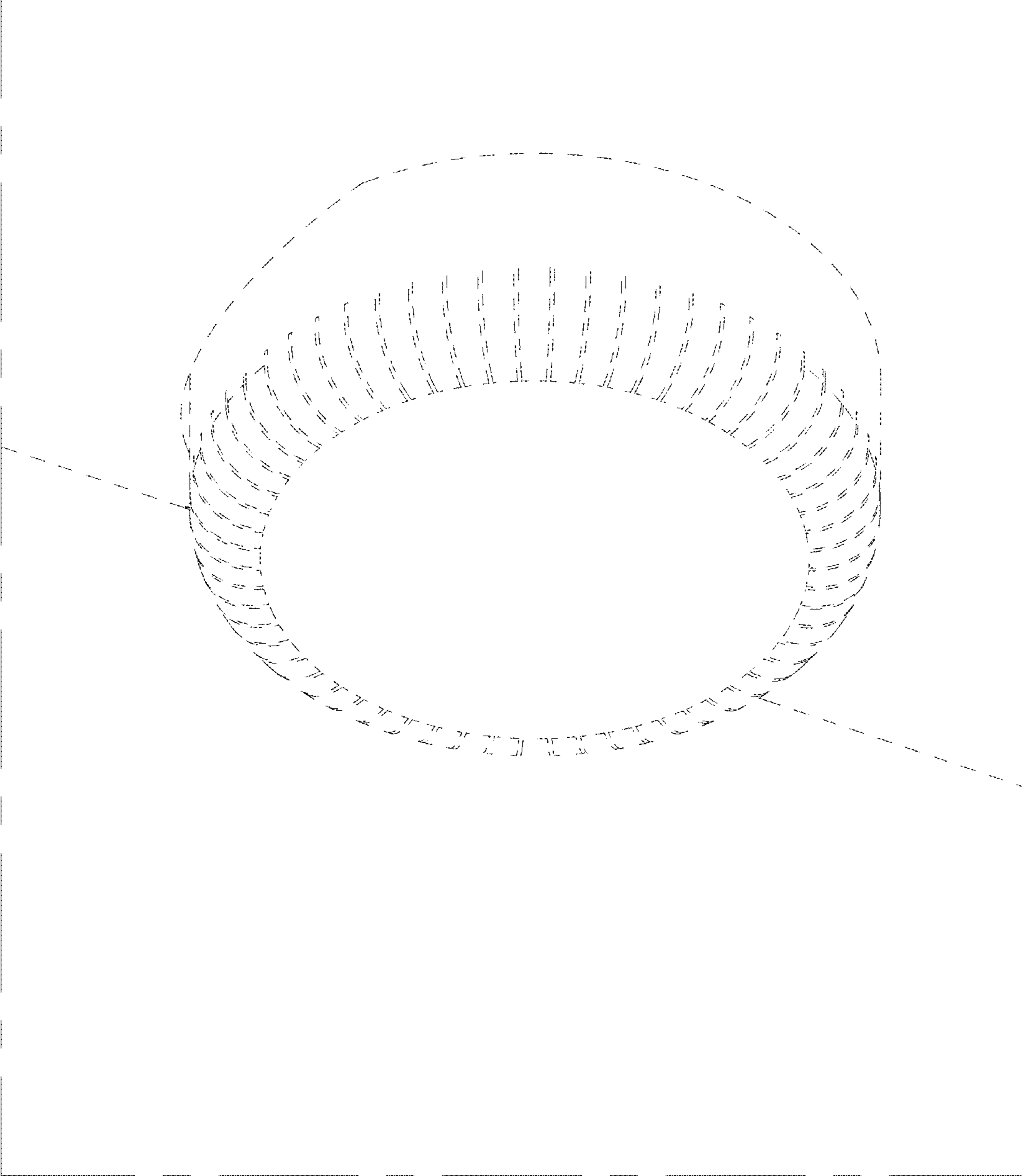


FIG. 13