



US00D883832S

(12) **United States Design Patent**  
**Wang**

(10) **Patent No.:** **US D883,832 S**

(45) **Date of Patent:** **\*\* May 12, 2020**

(54) **CONTACT SENSOR SET**

(71) Applicant: **Hangzhou Great Star Industrial Co., Ltd.**, Hangzhou (CN)

(72) Inventor: **Weiyi Wang**, Hangzhou (CN)

(73) Assignee: **HANGZHOU GREAT STAR INDUSTRIAL CO., LTD.**, Hangzhou (CN)

(\*\*) Term: **15 Years**

(21) Appl. No.: **29/662,926**

(22) Filed: **Sep. 10, 2018**

(30) **Foreign Application Priority Data**

Mar. 23, 2018 (CN) ..... 2018 3 0111035

(51) **LOC (12) Cl.** ..... **10-05**

(52) **U.S. Cl.**  
USPC ..... **D10/106.6**

(58) **Field of Classification Search**  
USPC ..... D10/40, 46, 50, 51, 52, 53, 54, 55, 56,  
D10/60, 61, 65, 66, 70, 78, 92, 99, 100,  
(Continued)

(56) **References Cited**

**U.S. PATENT DOCUMENTS**

D417,165 S \* 11/1999 Takeda ..... D10/106.6  
D666,934 S \* 9/2012 Krumpe ..... D10/106.6  
(Continued)

**OTHER PUBLICATIONS**

“IL06 Contact Sensor External Photos Hangzhou Great Star Industrial” available Oct. 10, 2018, [online], [site visited Jul. 29, 2019]. Retrieved from Internet, URL:<https://fccid.io/2AMI2IL06/External-Photos/External-Photos-3919814> (Year: 2018).\*

(Continued)

*Primary Examiner* — Michael C Stout  
*Assistant Examiner* — Katrina N Gonzalez

(74) *Attorney, Agent, or Firm* — Hamre, Schumann, Mueller & Larson, P.C.

(57) **CLAIM**

The ornamental design for a contact sensor set, as shown and described.

**DESCRIPTION**

FIG. 1 is a perspective view of the contact sensor set showing my new design, including part 1 and part 2;  
FIG. 2 is a front view of the contact sensor set depicted in FIG. 1;  
FIG. 3 is a rear view of the contact sensor set depicted in FIG. 1;  
FIG. 4 is a left side view of the contact sensor set depicted in FIG. 1;  
FIG. 5 is a right side view of the contact sensor set depicted in FIG. 1;  
FIG. 6 is a top view of the contact sensor set depicted in FIG. 1;  
FIG. 7 is a bottom view of the contact sensor set depicted in FIG. 1;  
FIG. 8 is a perspective view of part 1 of the contact sensor set depicted in FIG. 1, shown separately for completeness of illustration;  
FIG. 9 is a front view of part 1 of the contact sensor set depicted in FIG. 1;  
FIG. 10 is a rear view of part 1 of the contact sensor set depicted in FIG. 1;  
FIG. 11 is a left side view of part 1 of the contact sensor set depicted in FIG. 1;  
FIG. 12 is a right side view of part 1 of the contact sensor set depicted in FIG. 1;  
FIG. 13 is a top view of part 1 of the contact sensor set depicted in FIG. 1;  
FIG. 14 is a bottom view of part 1 of the contact sensor set depicted in FIG. 1;  
FIG. 15 is a perspective view of part 2 of the contact sensor set depicted in FIG. 1, shown separately for completeness of illustration;  
FIG. 16 is a front view of part 2 of the contact sensor set depicted in FIG. 1;

(Continued)

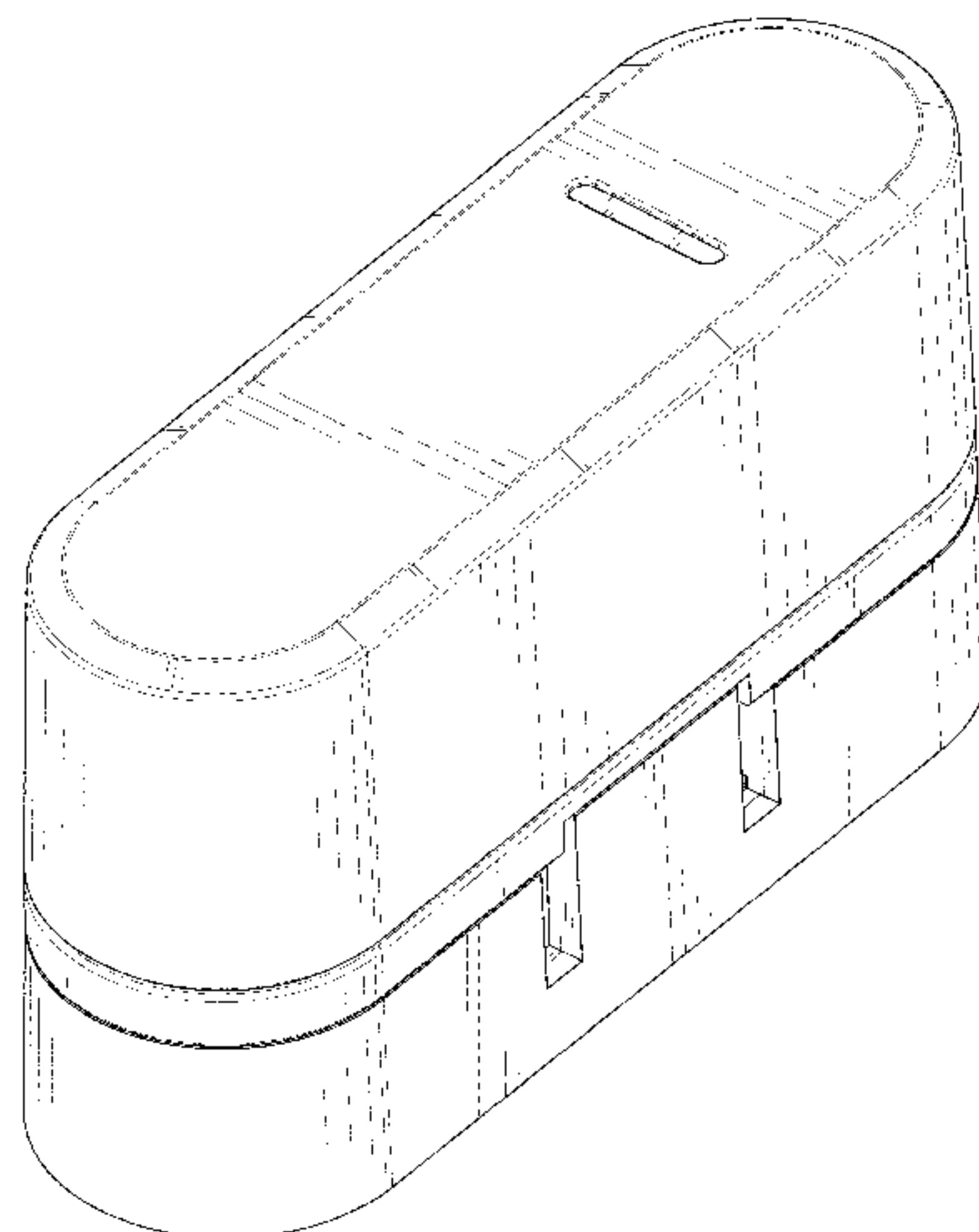


FIG. 17 is a rear view of part 2 of the contact sensor set depicted in FIG. 1;  
 FIG. 18 is a left side view of part 2 of the contact sensor set depicted in FIG. 1;  
 FIG. 19 is a right side view of part 2 of the contact sensor set depicted in FIG. 1;  
 FIG. 20 is a top view of part 2 of the contact sensor set depicted in FIG. 1; and,  
 FIG. 21 is a bottom view of part 2 of the contact sensor set depicted in FIG. 1.  
 The broken lines in the drawings are for the purpose of illustrating portions of the contact sensor set that form no part of the claimed design.

**1 Claim, 12 Drawing Sheets**

(58) **Field of Classification Search**

USPC ... D10/104.1, 106, 106.5, 106.6, 116.1, 118, D10/118.1, 118.2, 119.1, 120, 121, 124, D10/126; D13/125, 158, 169, 171, 174; D8/305, 330, 331, 332, 333, 334, 335, D8/336, 338, 339, 340, 341, 342, 350, D8/353, 396, 356, 394; D26/72, 85, 88; 292/288, 289, 290, 293, 292; 70/14, 20, 70/21, 22, 57, 57.1, 284, 285, 286, 314, 70/266, 277, 271; 340/628, 584, 693.5, 340/74; 455/41.2; D25/147, 103; 200/310

CPC ..... G08B 13/2491; G08B 13/08; E05B 9/00; E05B 9/02; E05B 2009/006; E05B 49/00; E05B 19/00; E05B 15/00; E05B 49/02; E05B 17/00; E05B 3/00; A63G 33/28  
 See application file for complete search history.

(56)

**References Cited**

U.S. PATENT DOCUMENTS

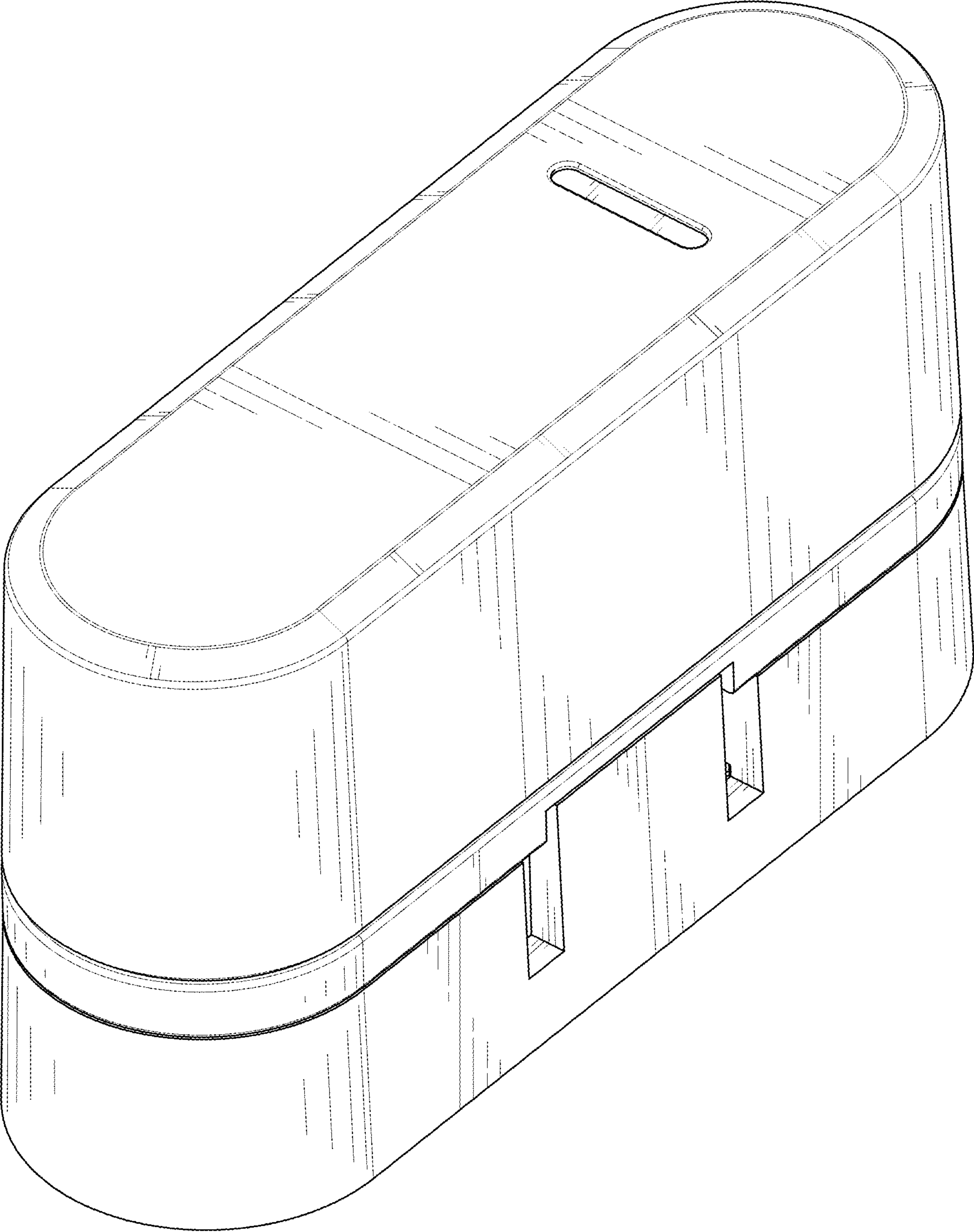
D680,014 S \* 4/2013 Corso ..... D10/106.6  
 D680,459 S \* 4/2013 Corso ..... D10/106.6  
 D713,277 S \* 9/2014 Hasegawa ..... D10/106.6  
 D714,170 S \* 9/2014 Wang ..... D10/70  
 D744,884 S \* 12/2015 Roberts ..... D10/104.1  
 D747,228 S \* 1/2016 Fiedler ..... D10/104.1  
 D757,586 S \* 5/2016 Li ..... D10/106.6  
 D787,299 S \* 5/2017 Liu ..... D8/330  
 D789,819 S \* 6/2017 Chen ..... D10/106.6  
 D796,364 S \* 9/2017 Konotopskyi ..... D10/106.1  
 D805,941 S \* 12/2017 Jou ..... D10/106.6  
 D833,311 S \* 11/2018 Reimer ..... D10/106.6  
 D848,294 S \* 5/2019 Laurans ..... D10/70

OTHER PUBLICATIONS

“Iris Iris Indoor Door and Window Sensor” available Oct. 23, 2018, [online], [site visited Jul. 30, 2019]. Retrieved from Internet: URL:https://www.lowes.com/pd/Iris-Iris-Indoor-Door-and-Window-Sensor/1000509585 (Year: 2019).\*

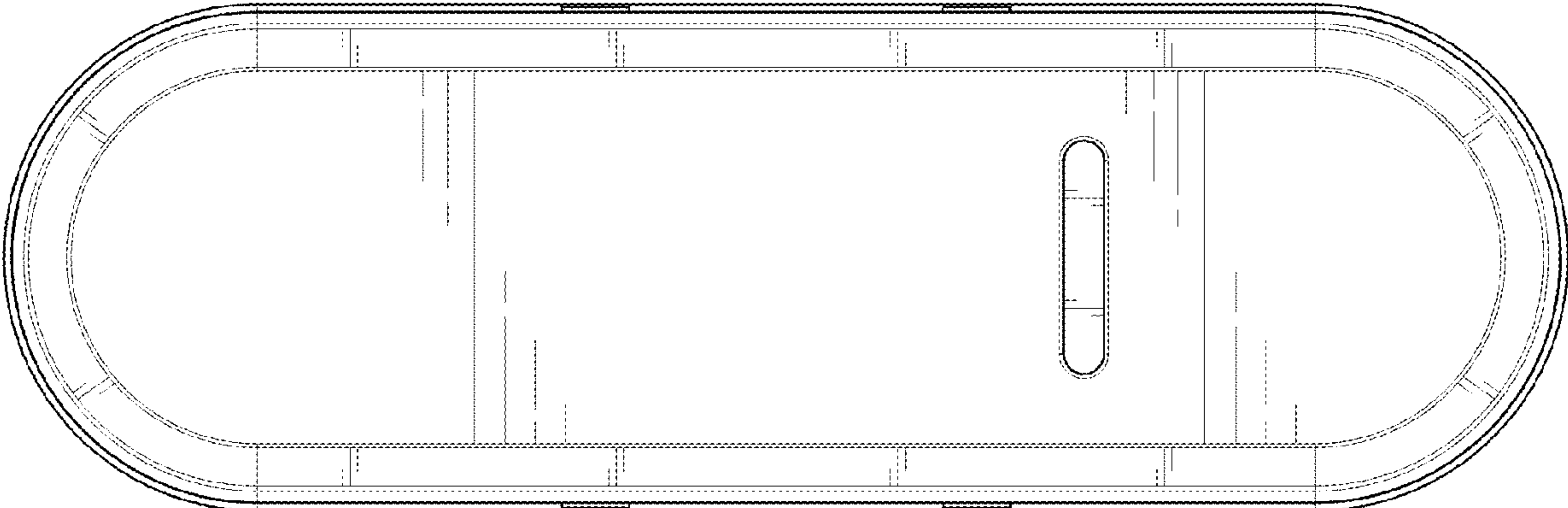
\* cited by examiner

*Fig. 1*

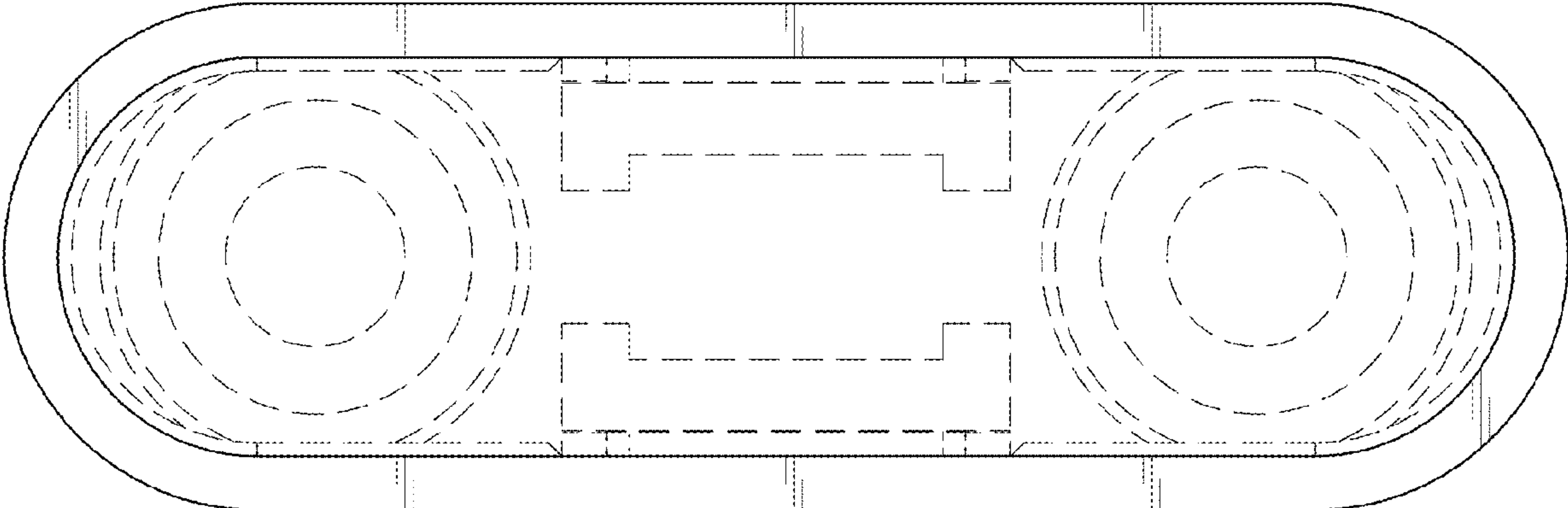




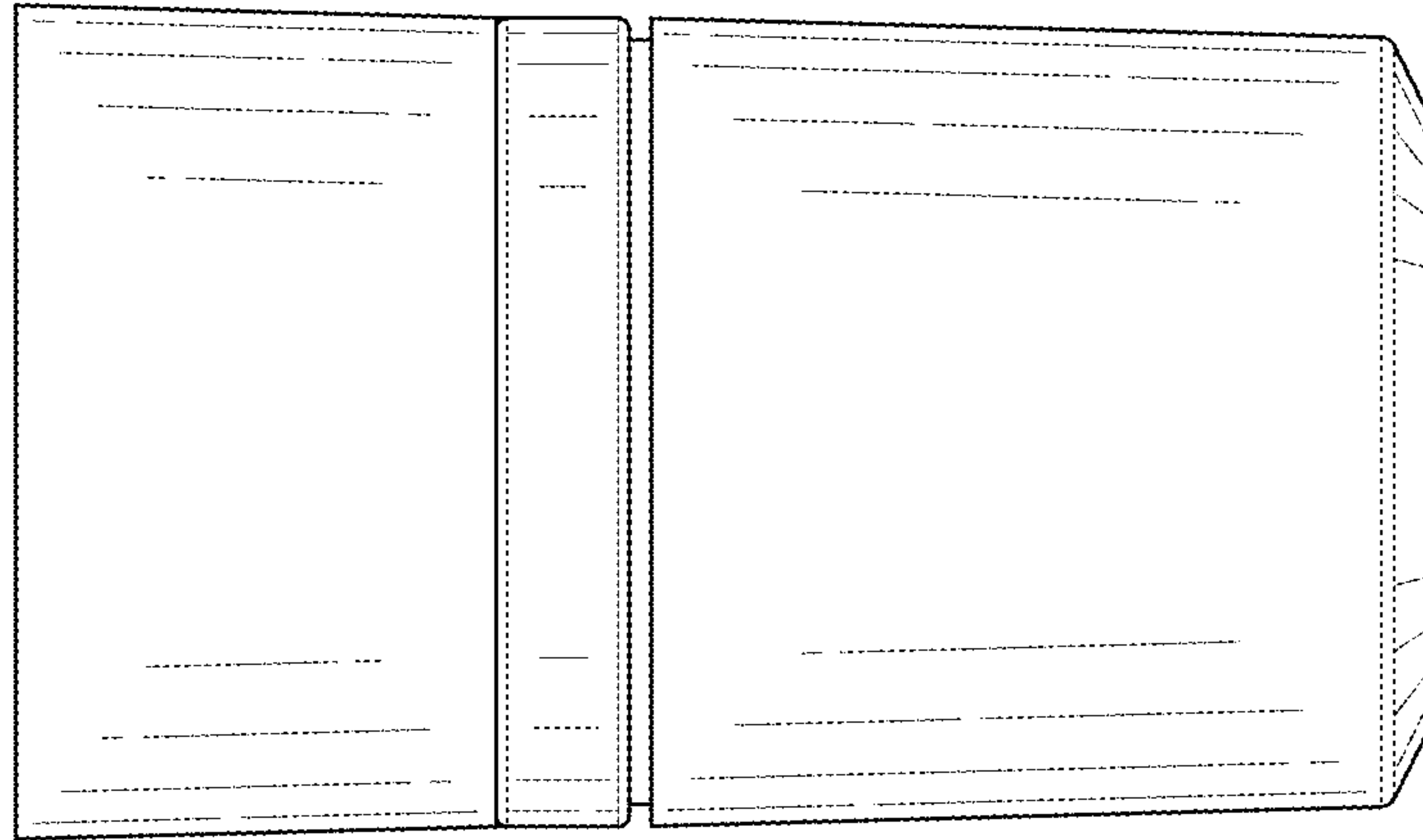
*Fig. 2*



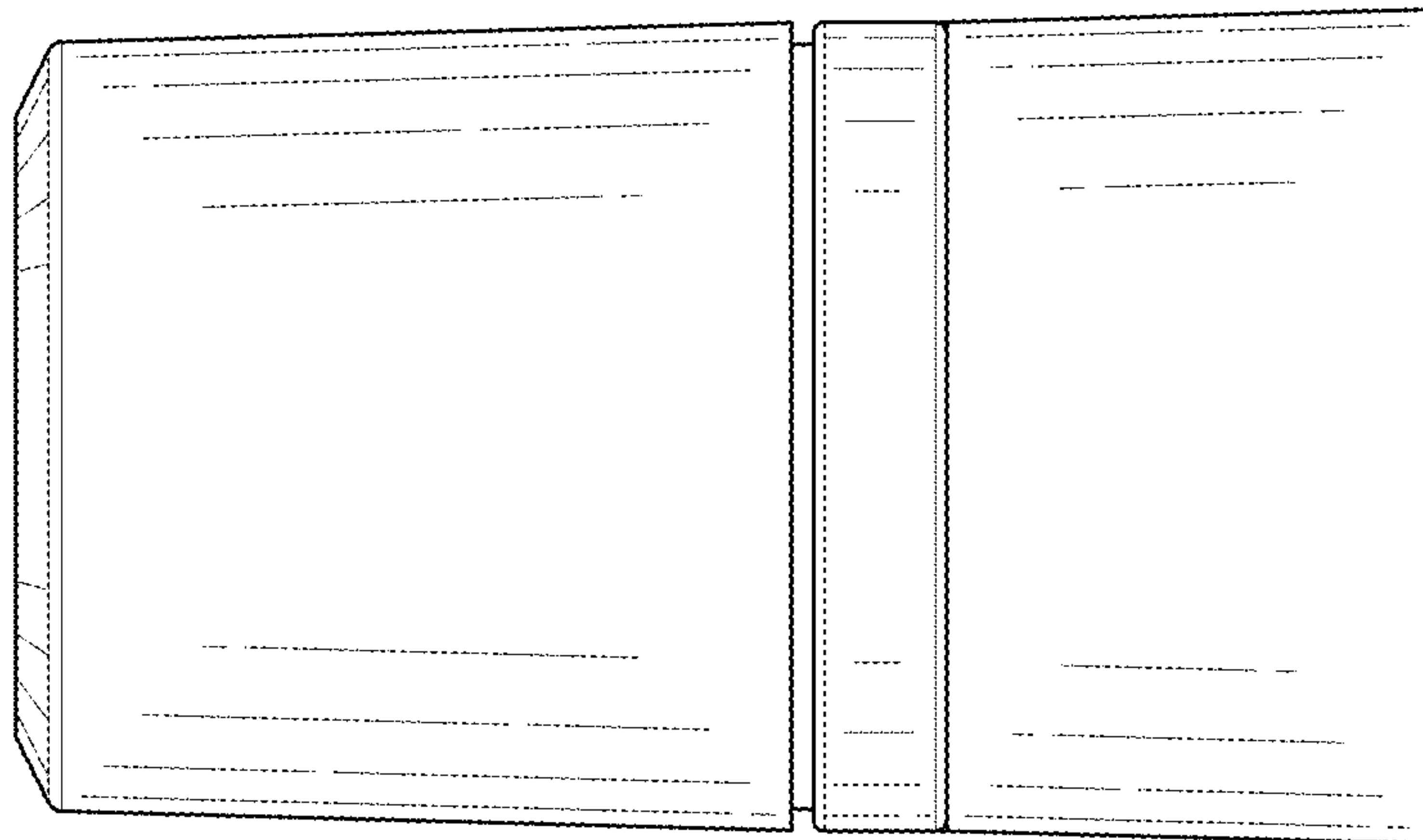
*Fig. 3*



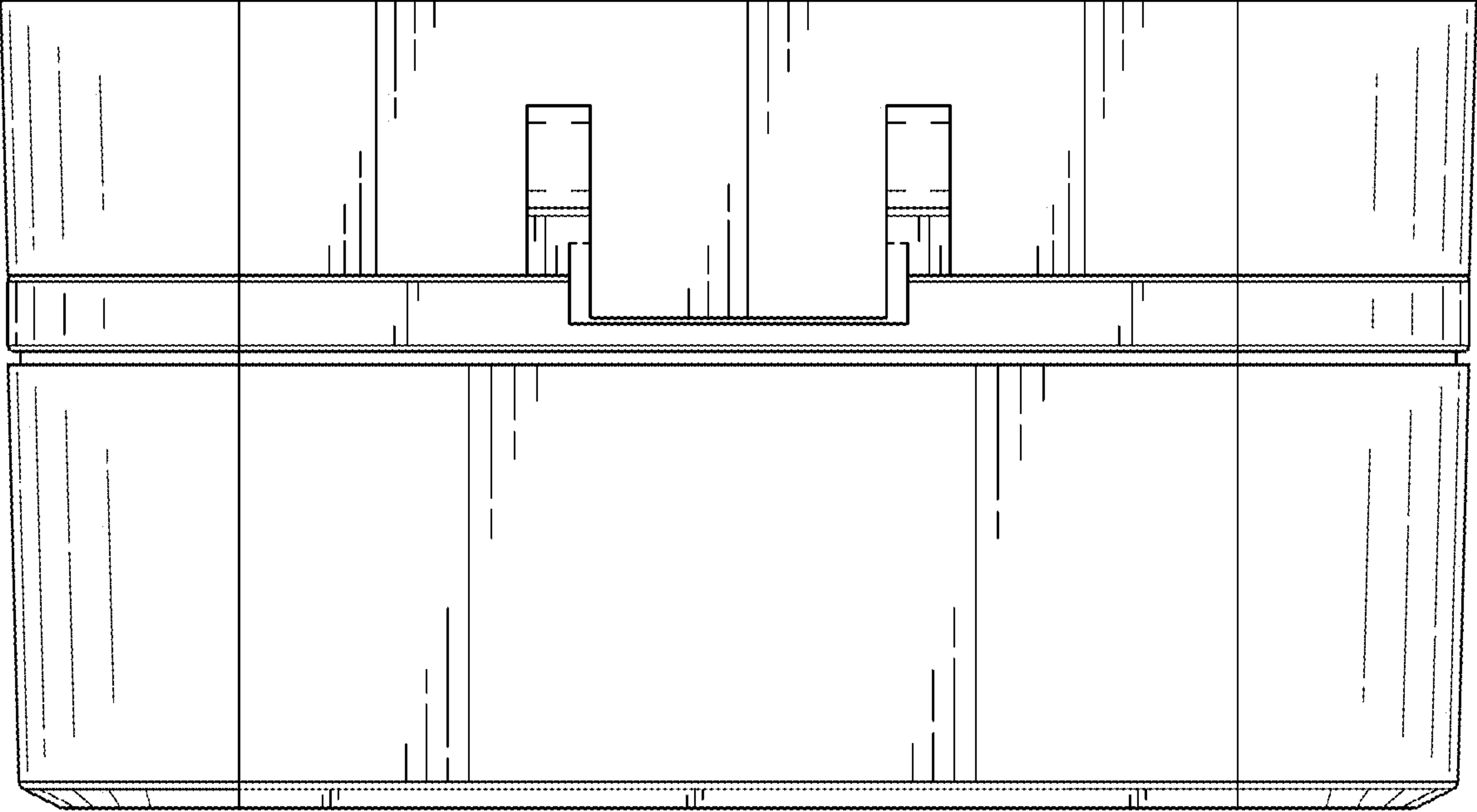
*Fig. 4*



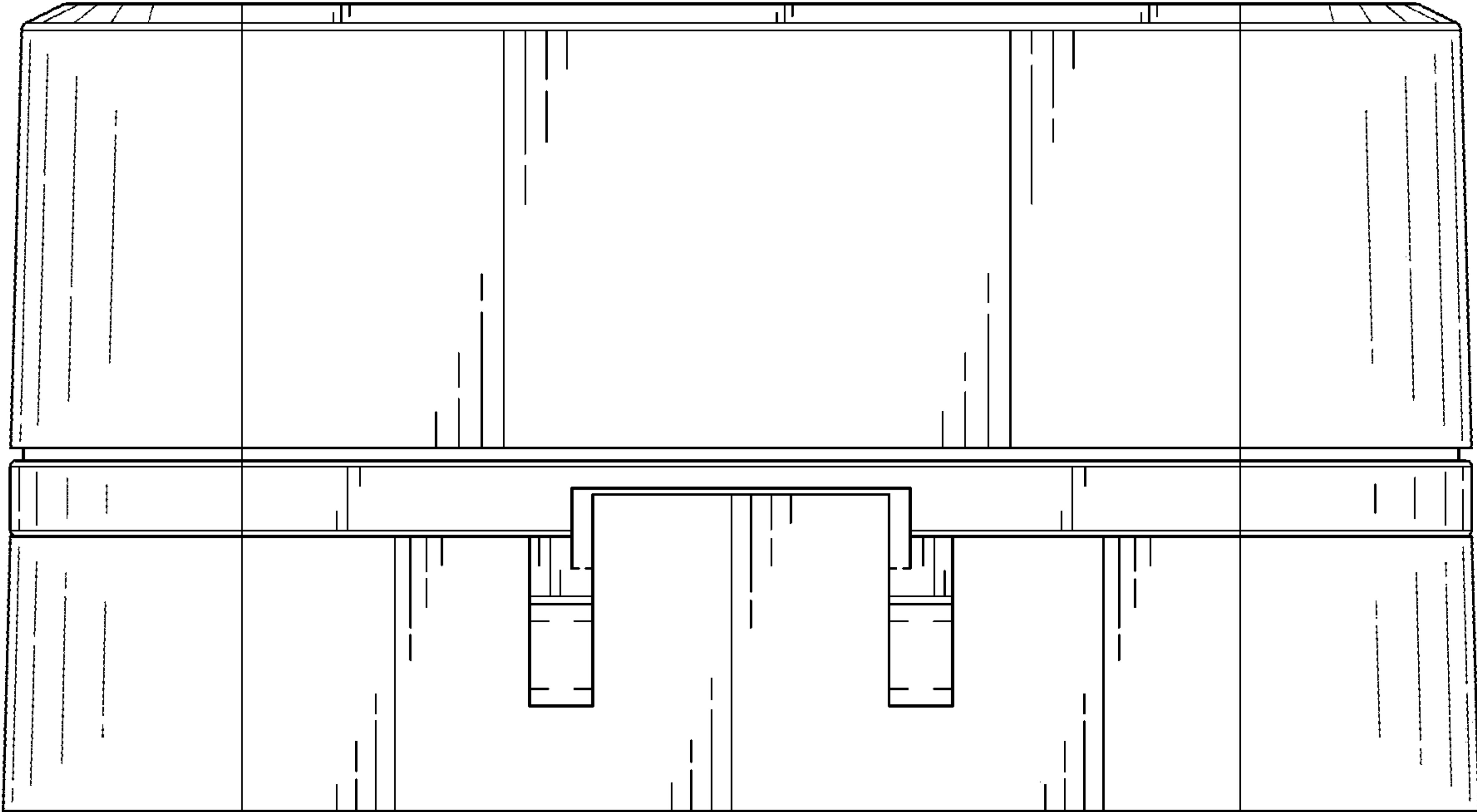
*Fig. 5*



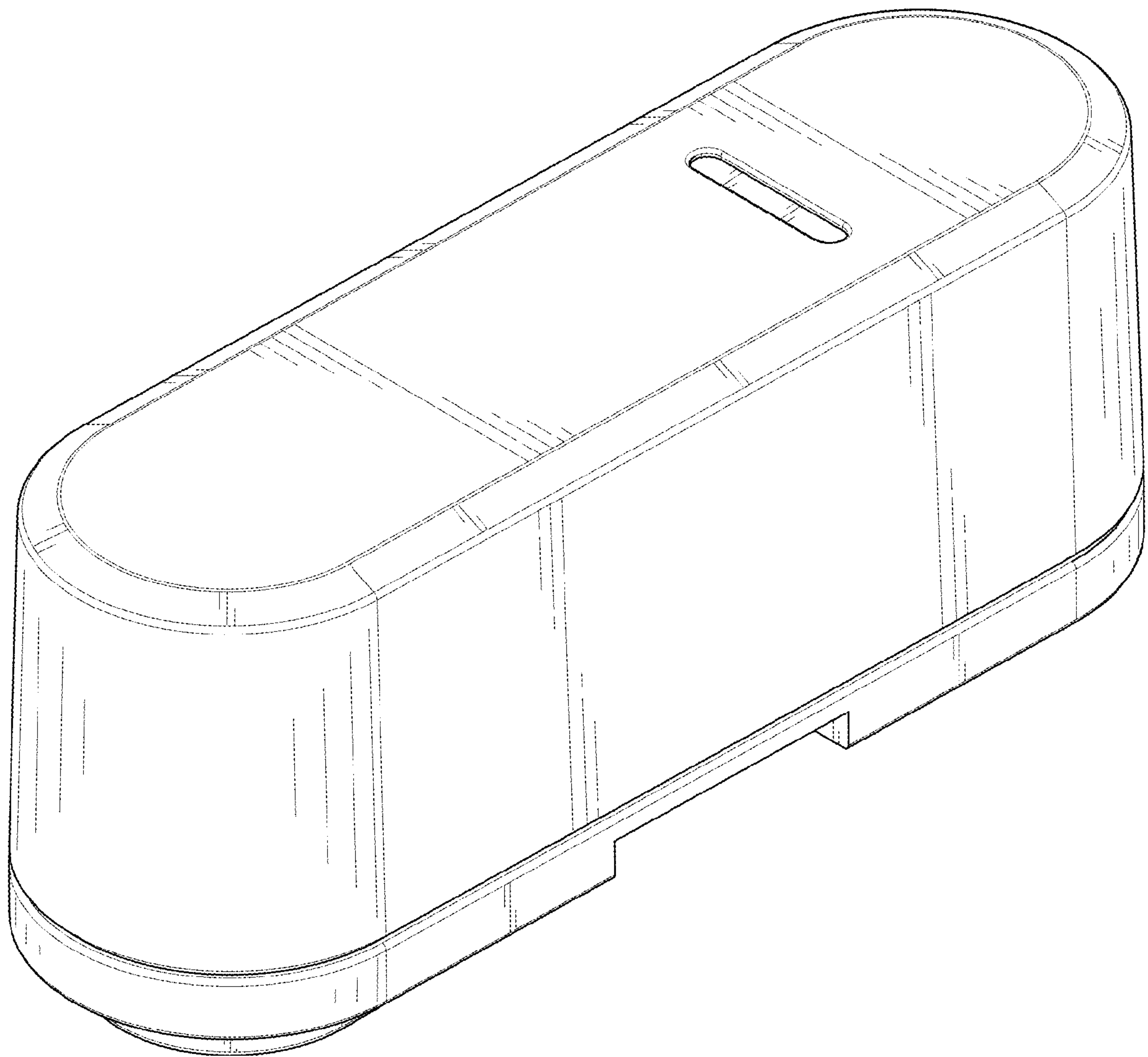
*Fig. 6*



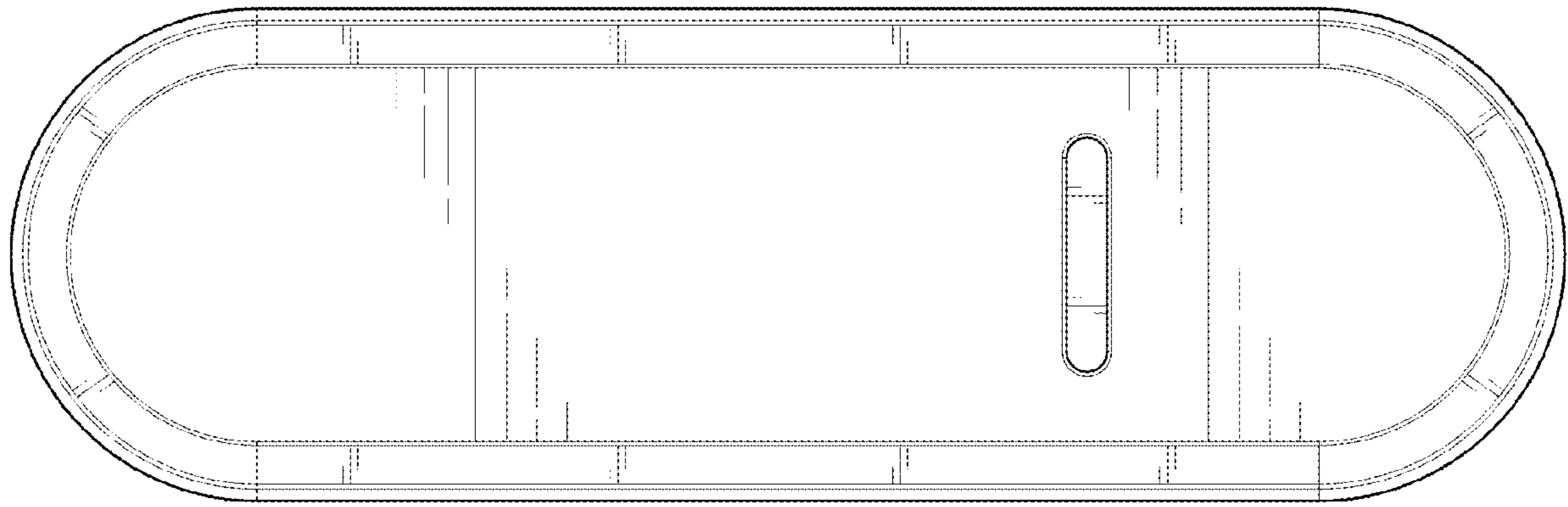
*Fig. 7*



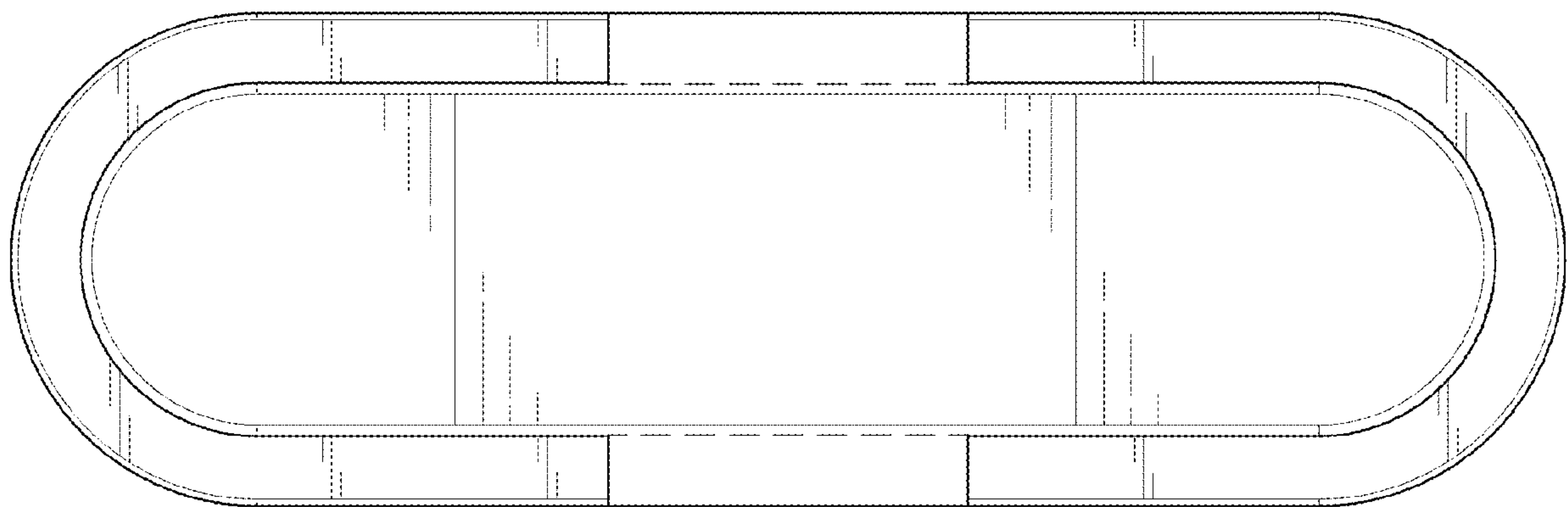
*Fig. 8*



*Fig. 9*

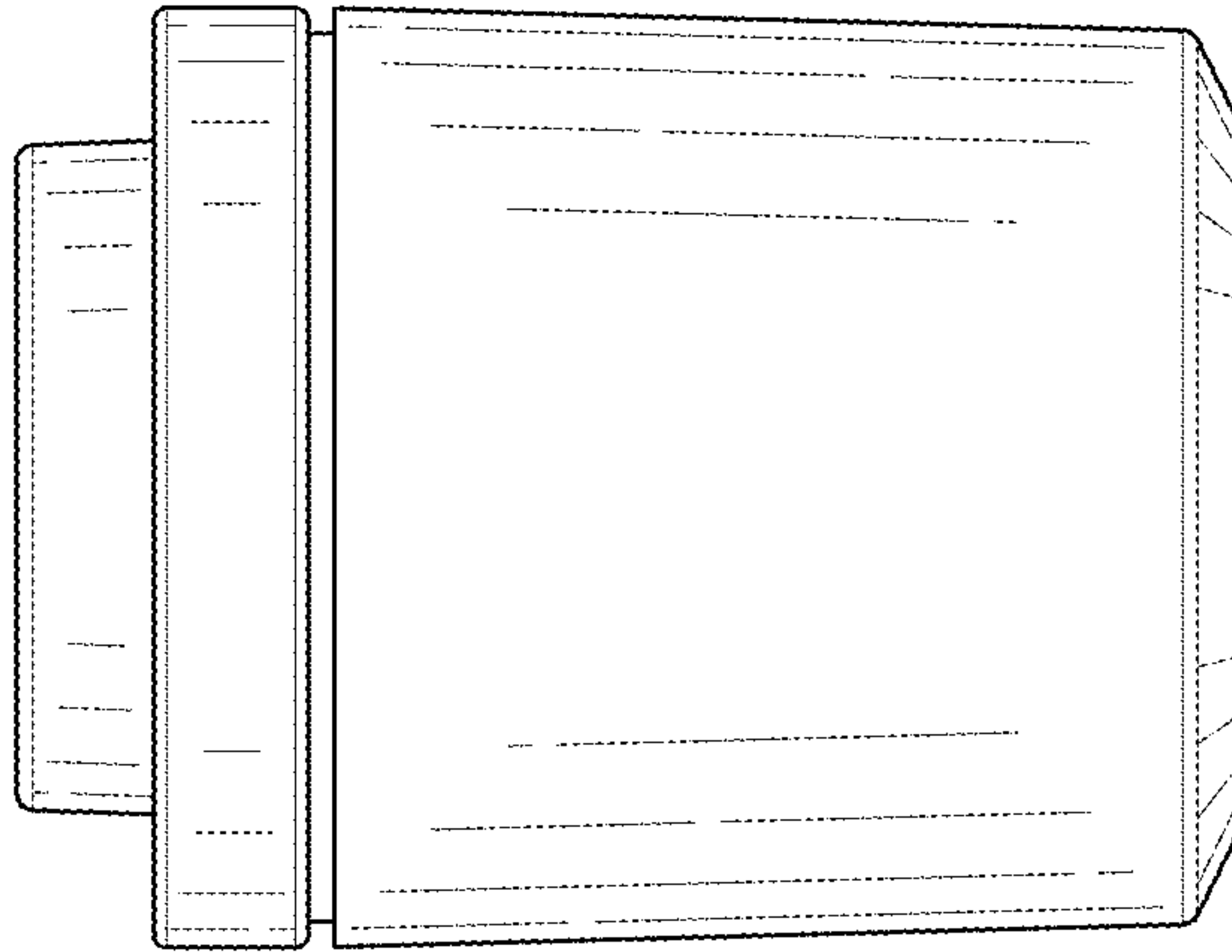


*Fig. 10*

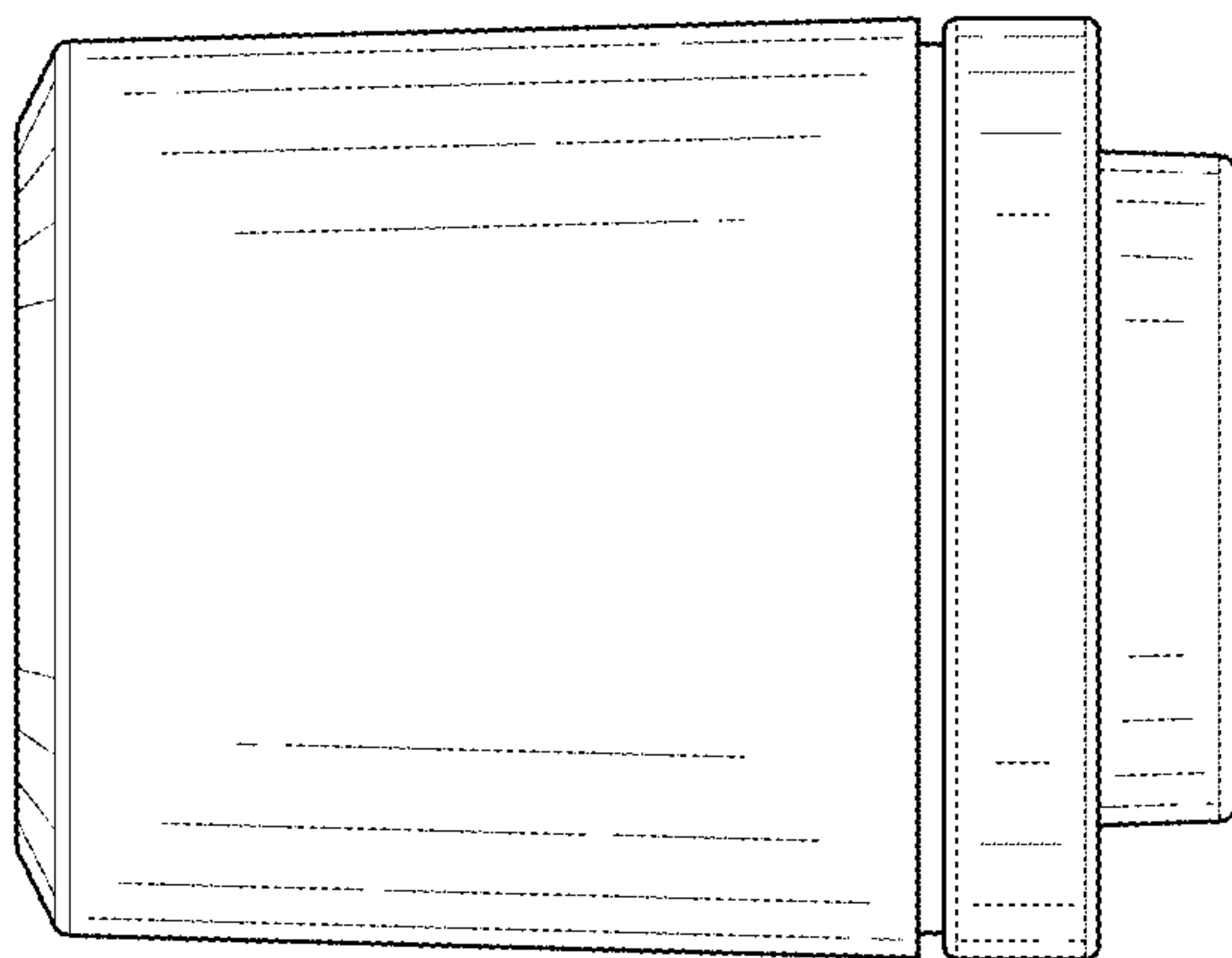




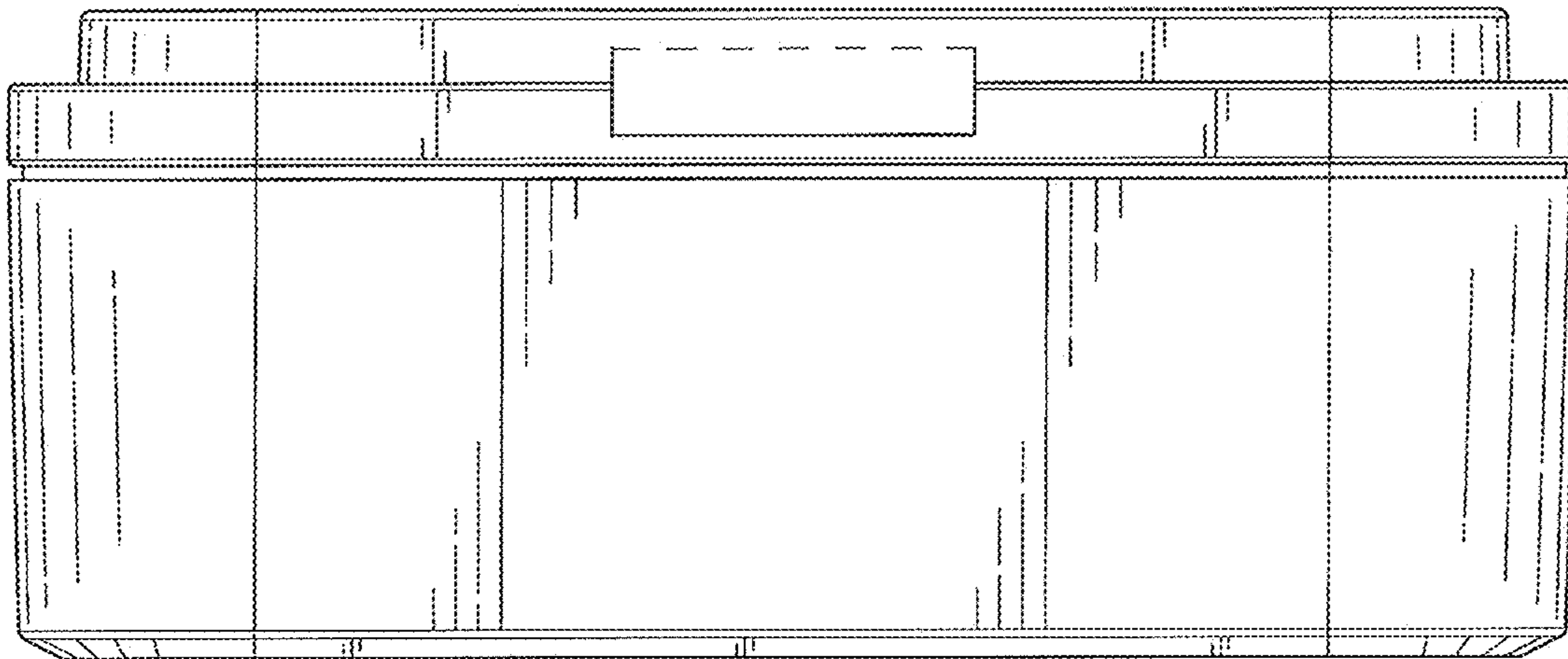
*Fig. 11*



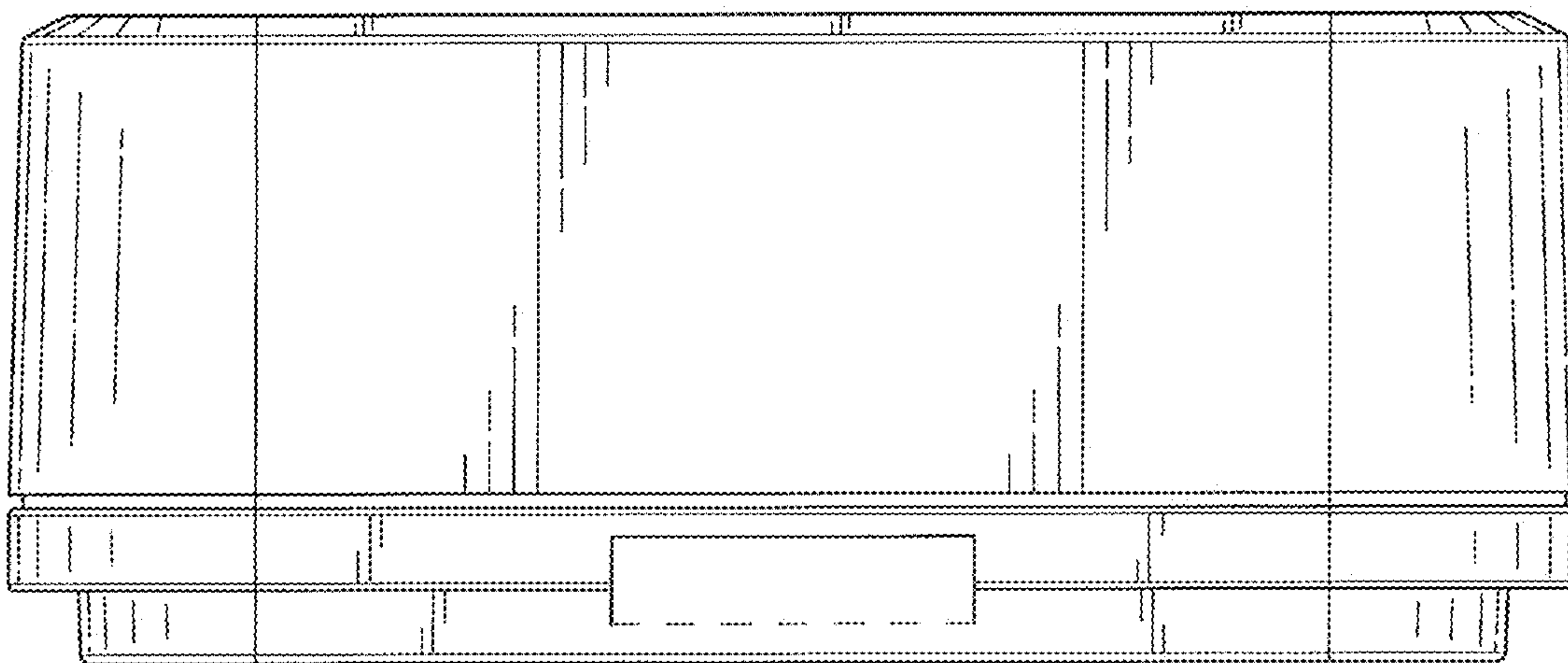
*Fig. 12*



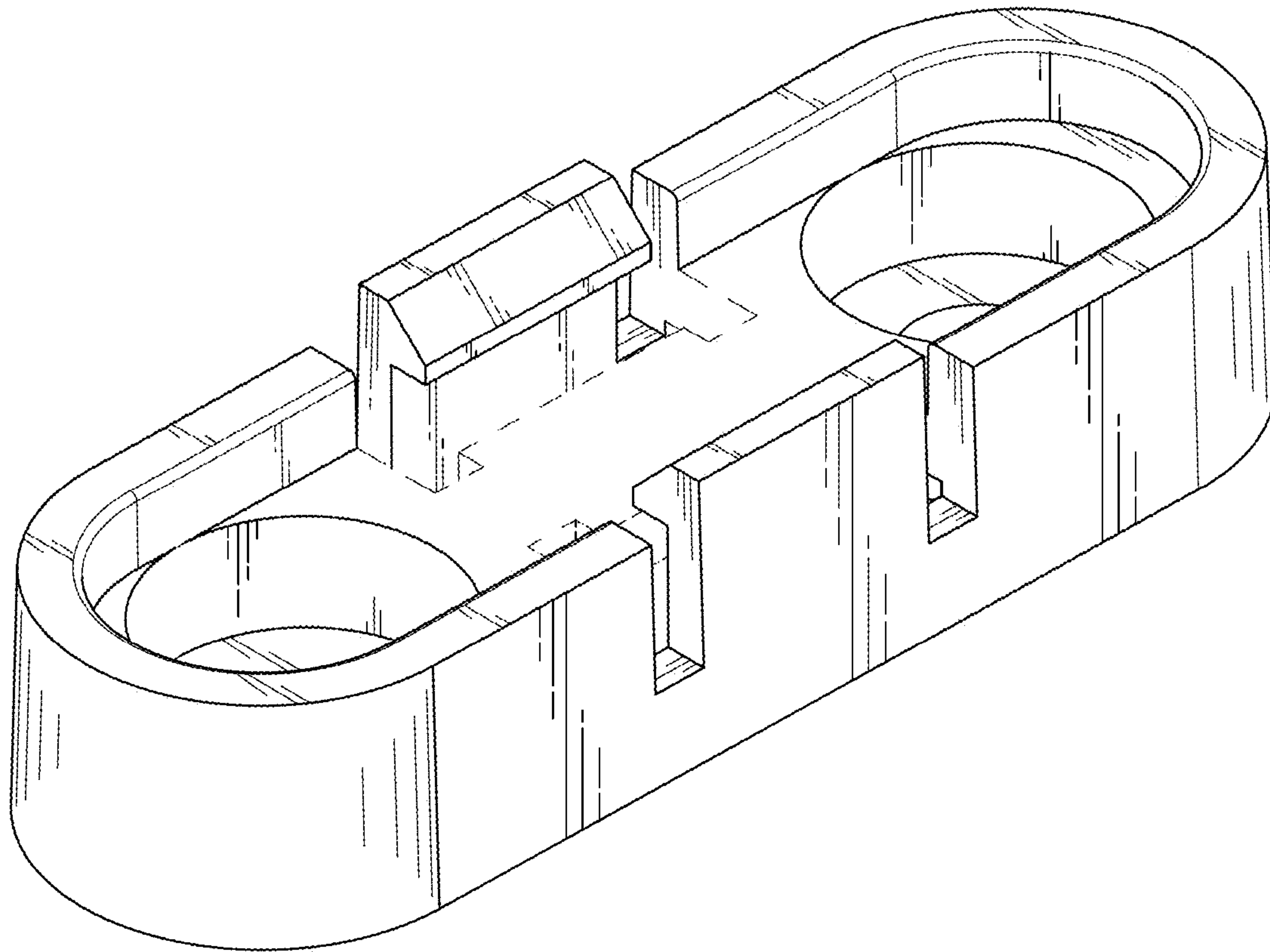
*Fig. 13*



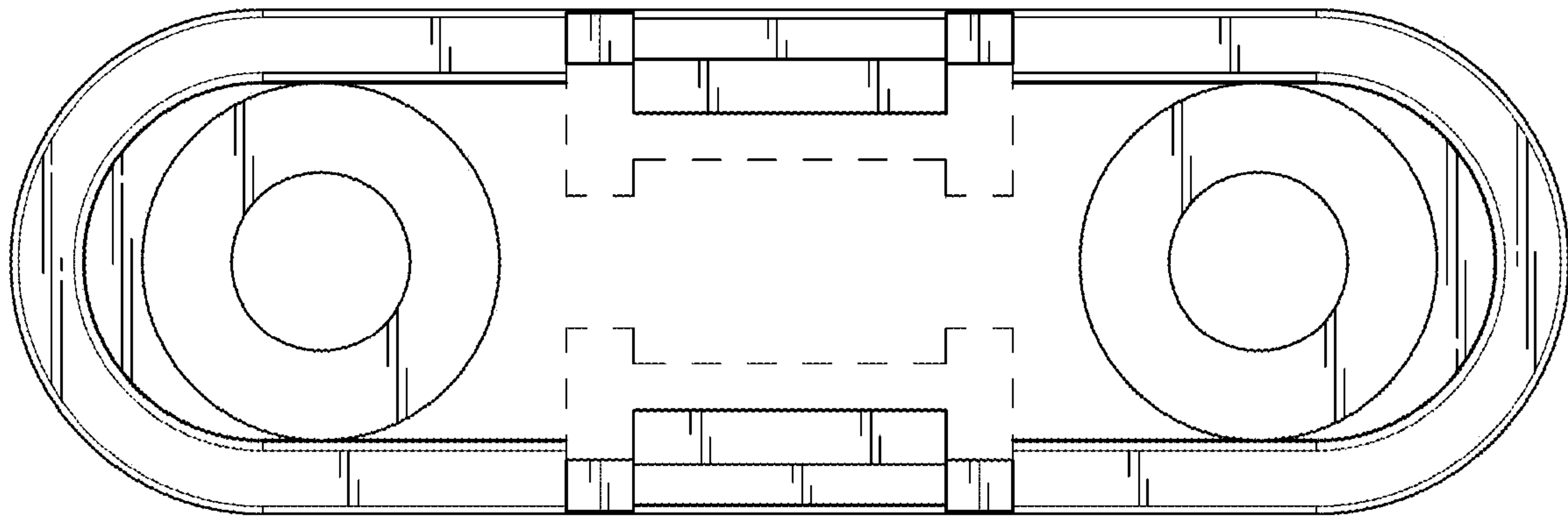
*Fig. 14*



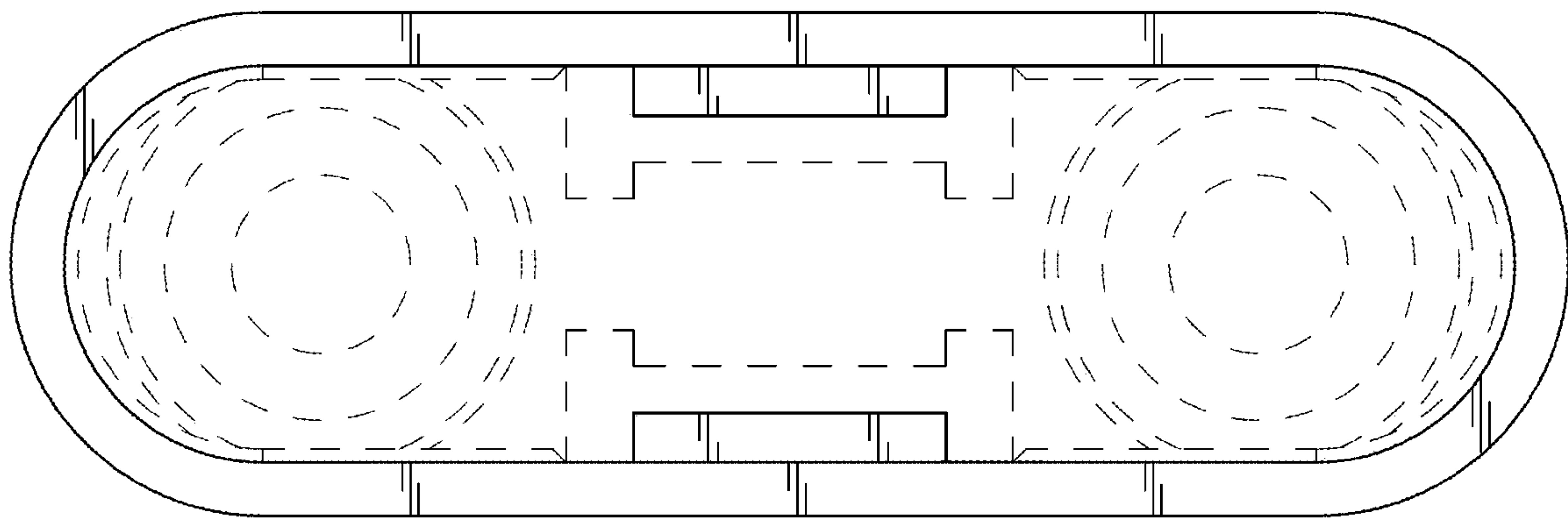
*Fig. 15*



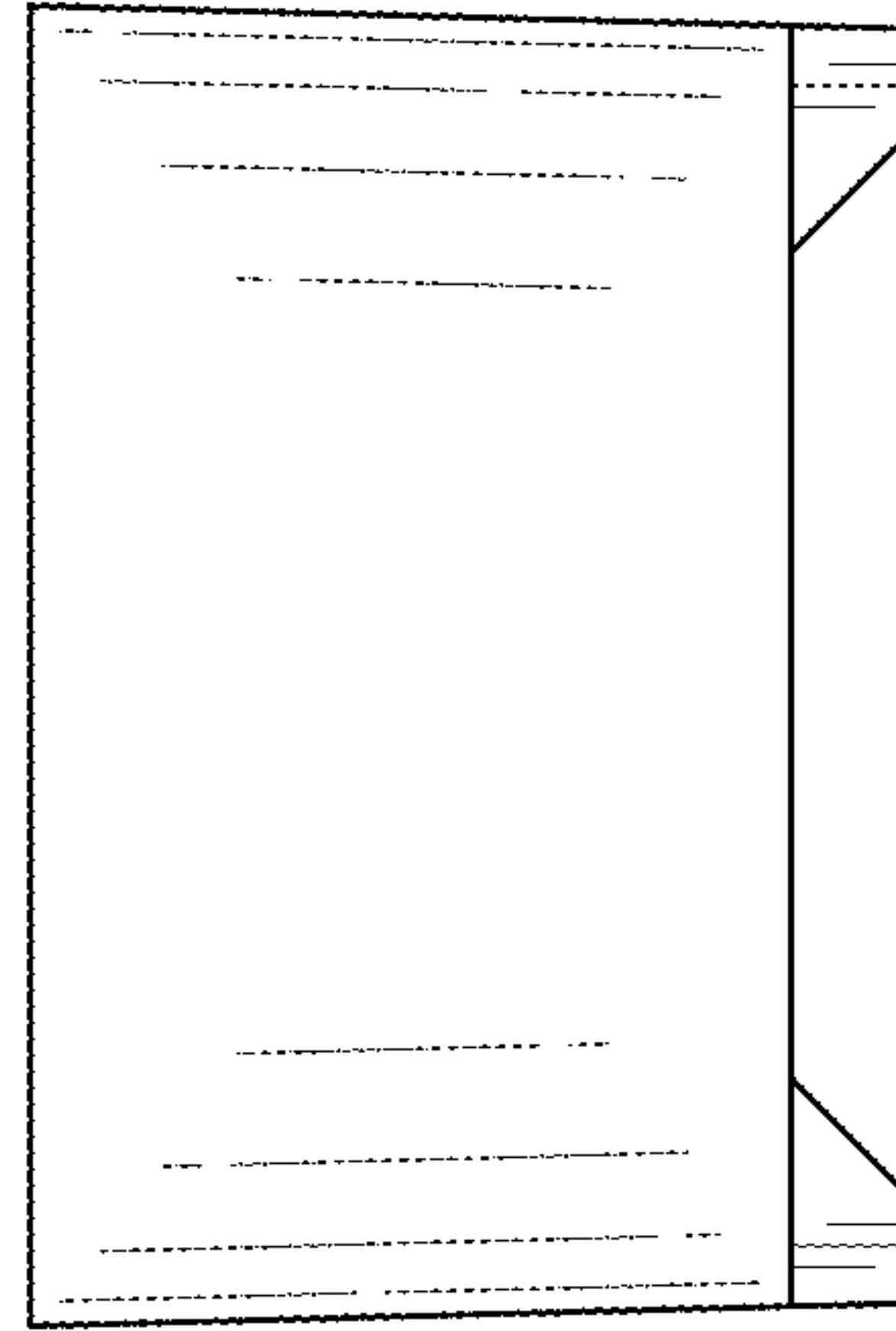
*Fig. 16*



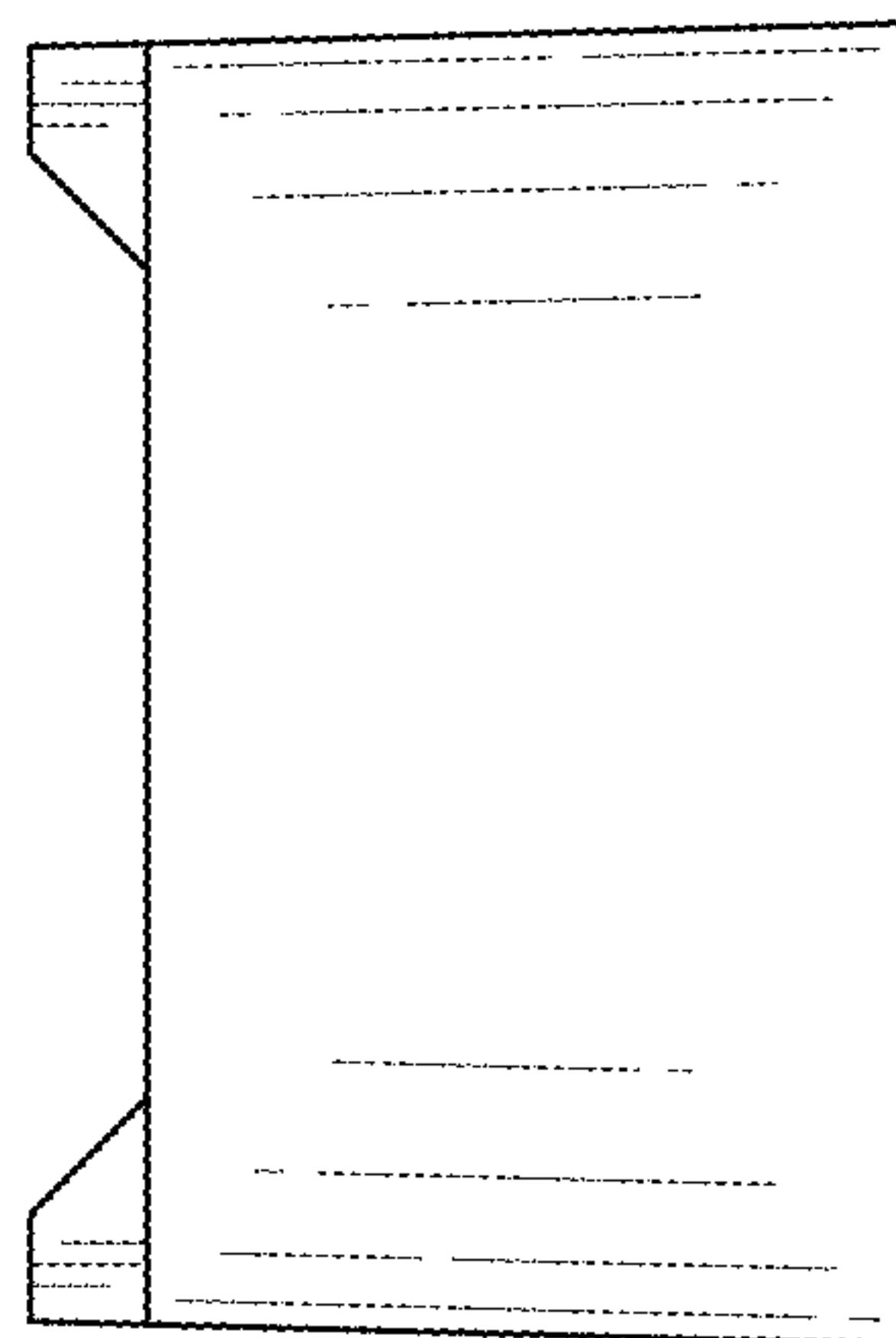
*Fig. 17*



*Fig. 18*

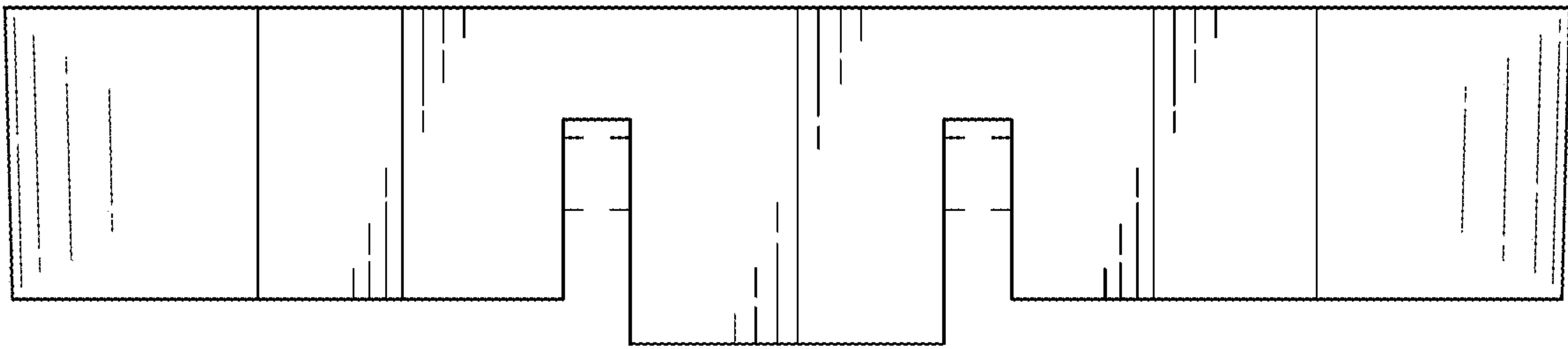


*Fig. 19*





*Fig. 20*



*Fig. 21*

