



US00D883830S

(12) **United States Design Patent**
Wang et al.

(10) **Patent No.:** **US D883,830 S**

(45) **Date of Patent:** **** May 12, 2020**

(54) **EARTHQUAKE ALARM LAMP**

D767,426 S * 9/2016 Zhu D10/106.1
D813,429 S * 3/2018 Li D26/26
D813,852 S * 3/2018 Ni D14/240

(71) Applicant: **ZHEJIANG TAI-G PHOTOELECTRIC TECHNOLOGY CO., LTD.**, Tongxiang, Zhejiang (CN)

OTHER PUBLICATIONS

(72) Inventors: **Jinhua Wang**, Chizhou (CN); **Ning Shen**, Hangzhou (CN)

“Seismic Alert Aims to Save Lives” (via YouTube) available Jan. 2, 2019, [online], [site visited Aug. 7, 2019]. Retrieved from Internet, URL: <https://www.youtube.com/watch?v=p9UsrwT2daU> (Year: 2019).*
“LED Night Light Flashlight Motion Sensor”. available Jun. 8, 2017, [online], [site visited Aug. 8, 2019]. Retrieved from Internet, URL: https://www.amazon.com/Flashlight-Rechargeable-Emergency-Sensing-Portable/dp/B071JWVBZ1/ref=asc_df_B071JWVBZ1/ (Year: 2017).*

(73) Assignee: **ZHEJIANG TAI-G PHOTOELECTRIC TECHNOLOGY CO., LTD.**, Zhejiang (CN)

“Sensky 3-in-1 Motion Sensor Night Light Plug in” available Oct. 13, 2017, [online], [site visited Aug. 8, 2019]. Retrieved from Internet, URL: https://www.amazon.com/Sensky-Rechargeable-Flashlight-Emergency-Stairways/dp/B076FNBDZQ/ref=pd_sbs_193_1/143-6128888-7408566 (Year: 2017).*

(**) Term: **15 Years**

* cited by examiner

(21) Appl. No.: **29/659,254**

(22) Filed: **Aug. 7, 2018**

(30) **Foreign Application Priority Data**

Apr. 20, 2018 (CN) 2018 3 0166446

(51) **LOC (12) Cl.** **10-05**

(52) **U.S. Cl.**
USPC **D10/106.1**

(58) **Field of Classification Search**
USPC D10/104.1, 106.1, 106.6, 104.2, 106.7, D10/106.8, 106.9, 106.92, 106.95, 114.1, D10/118, 118.2, 121; D26/1, 2, 3, 24, D26/26, 35, 36, 115; D16/202, 203, 208, D16/209, 215
See application file for complete search history.

Primary Examiner — Michael C Stout

Assistant Examiner — Katrina N Gonzalez

(74) *Attorney, Agent, or Firm* — Timothy T. Wang; Ni, Wang & Massand, PLLC

(56) **References Cited**

U.S. PATENT DOCUMENTS

D426,658 S * 6/2000 Yuen D26/26
D633,237 S * 2/2011 Wang D26/26
D674,931 S * 1/2013 Tyler D26/26
D715,468 S * 10/2014 Dai D26/26
D731,097 S * 6/2015 Dai D26/26

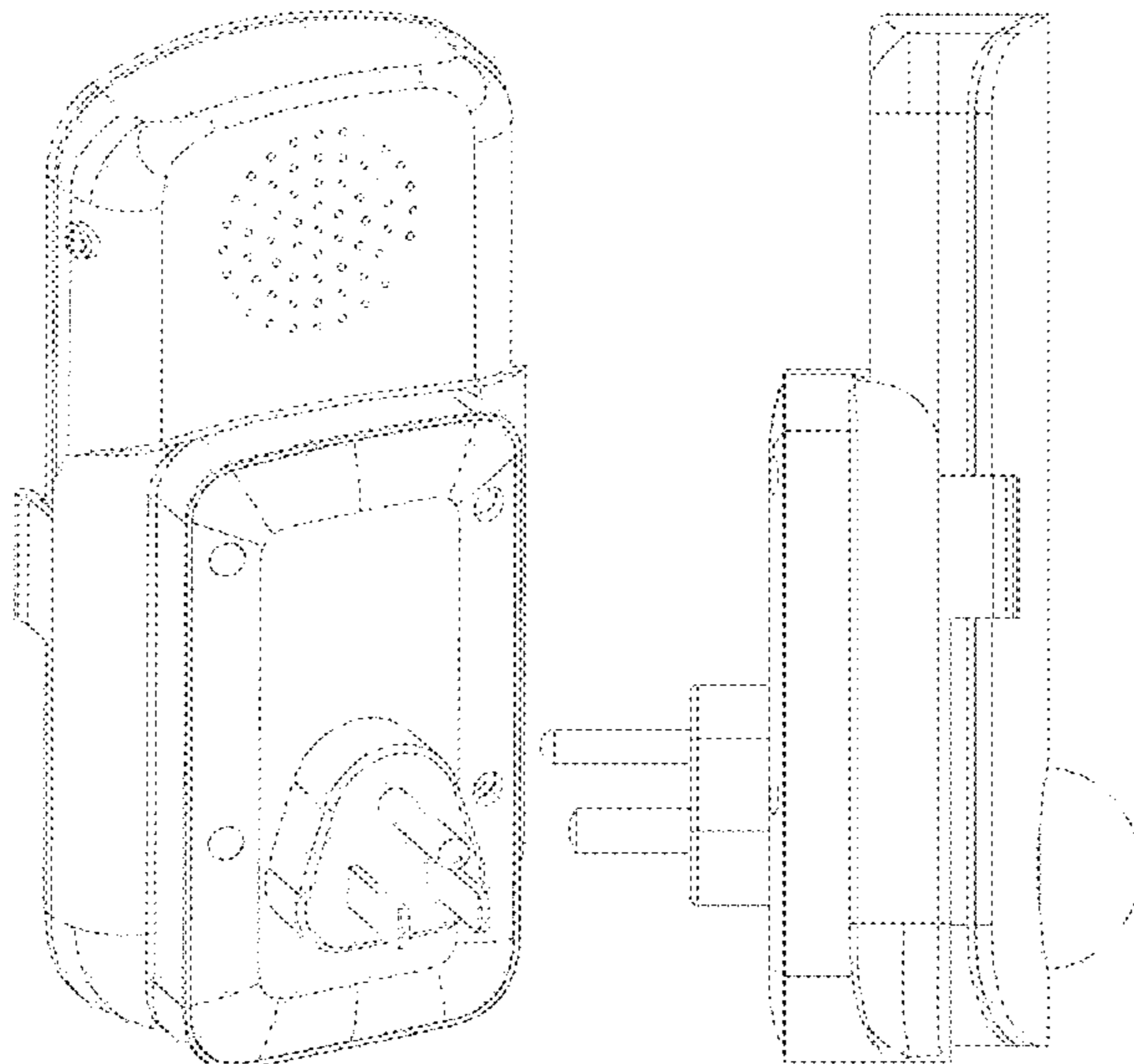
(57) **CLAIM**

The ornamental design for an earthquake alarm lamp, as shown and described.

DESCRIPTION

FIG. 1 is a front perspective view of an earthquake alarm lamp showing our new design;
FIG. 2 is a front plan view thereof;
FIG. 3 is a back plan view thereof;
FIG. 4 is a right-side elevational view thereof;
FIG. 5 is a left-side elevational view thereof;
FIG. 6 is a bottom plan view thereof; and,
FIG. 7 is a top plan view thereof.

1 Claim, 7 Drawing Sheets



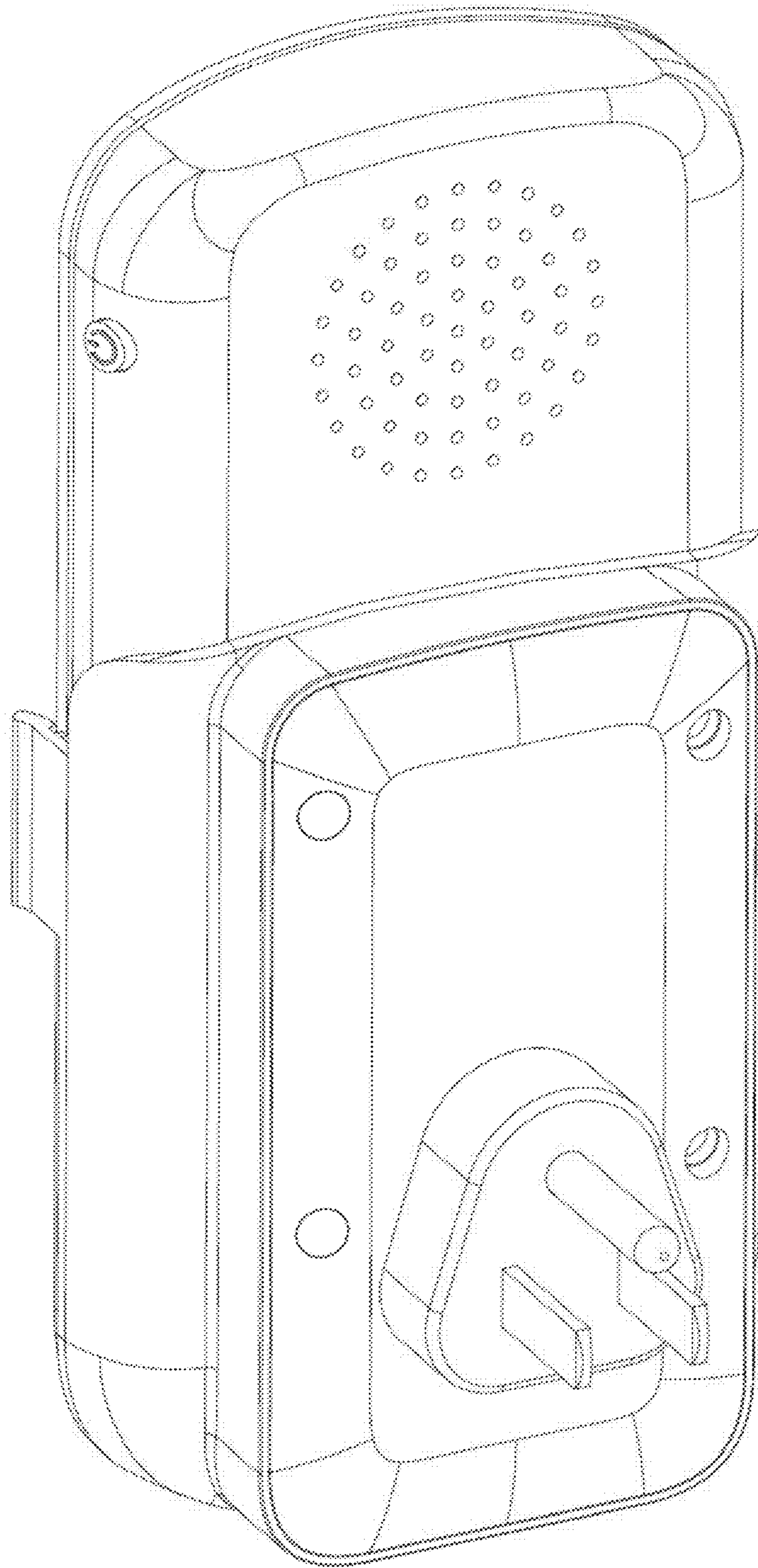


Fig. 1

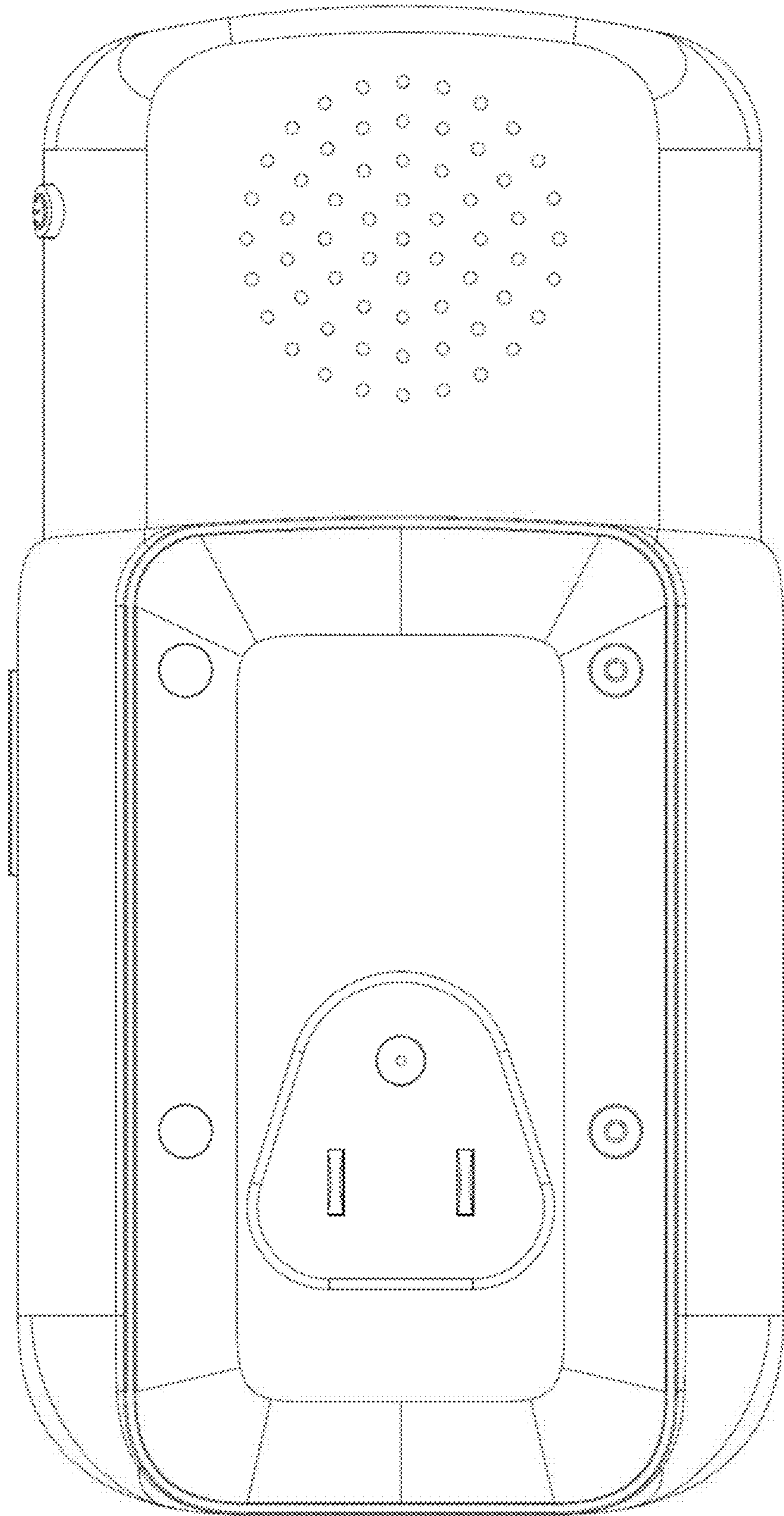


Fig. 2

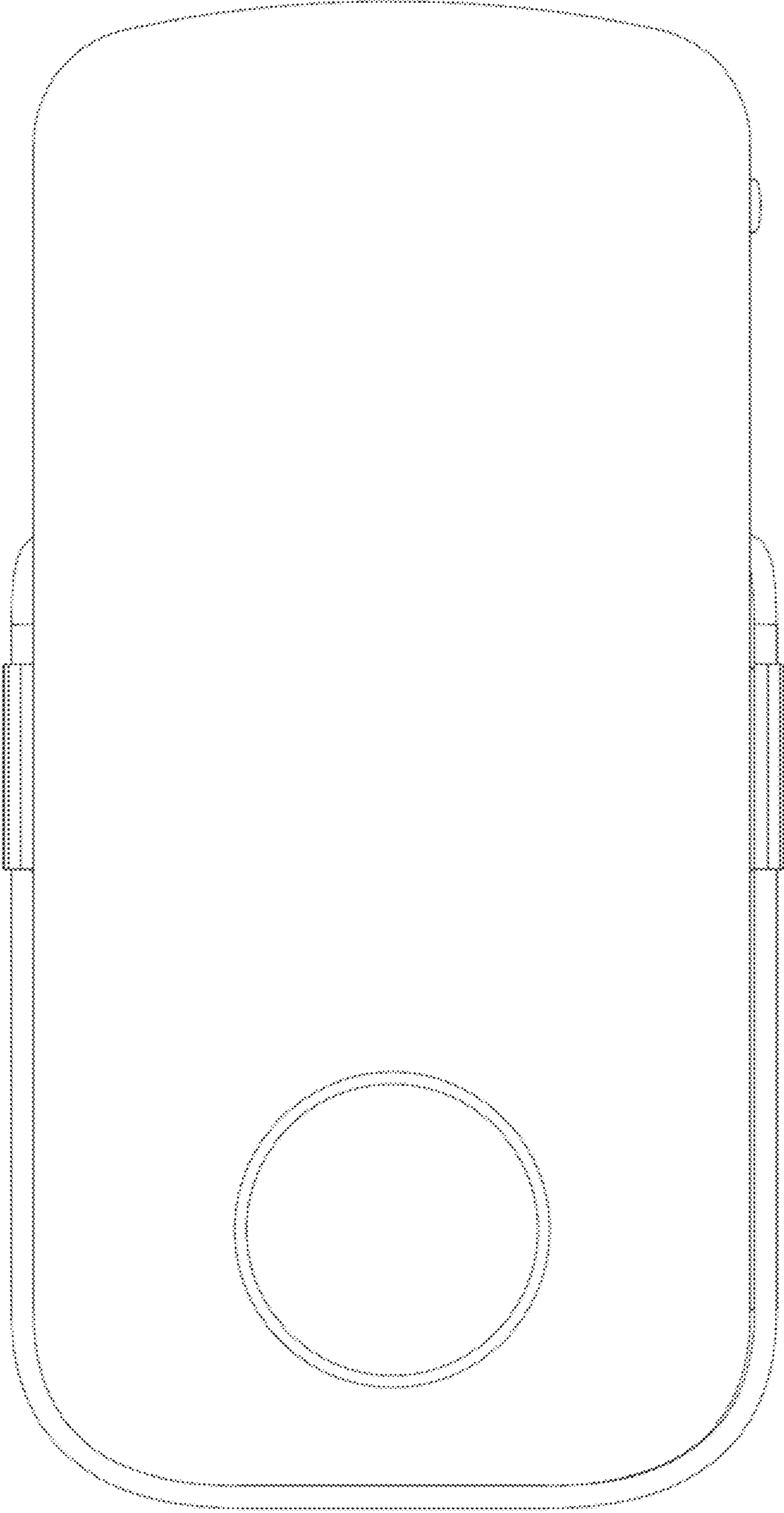


Fig. 3

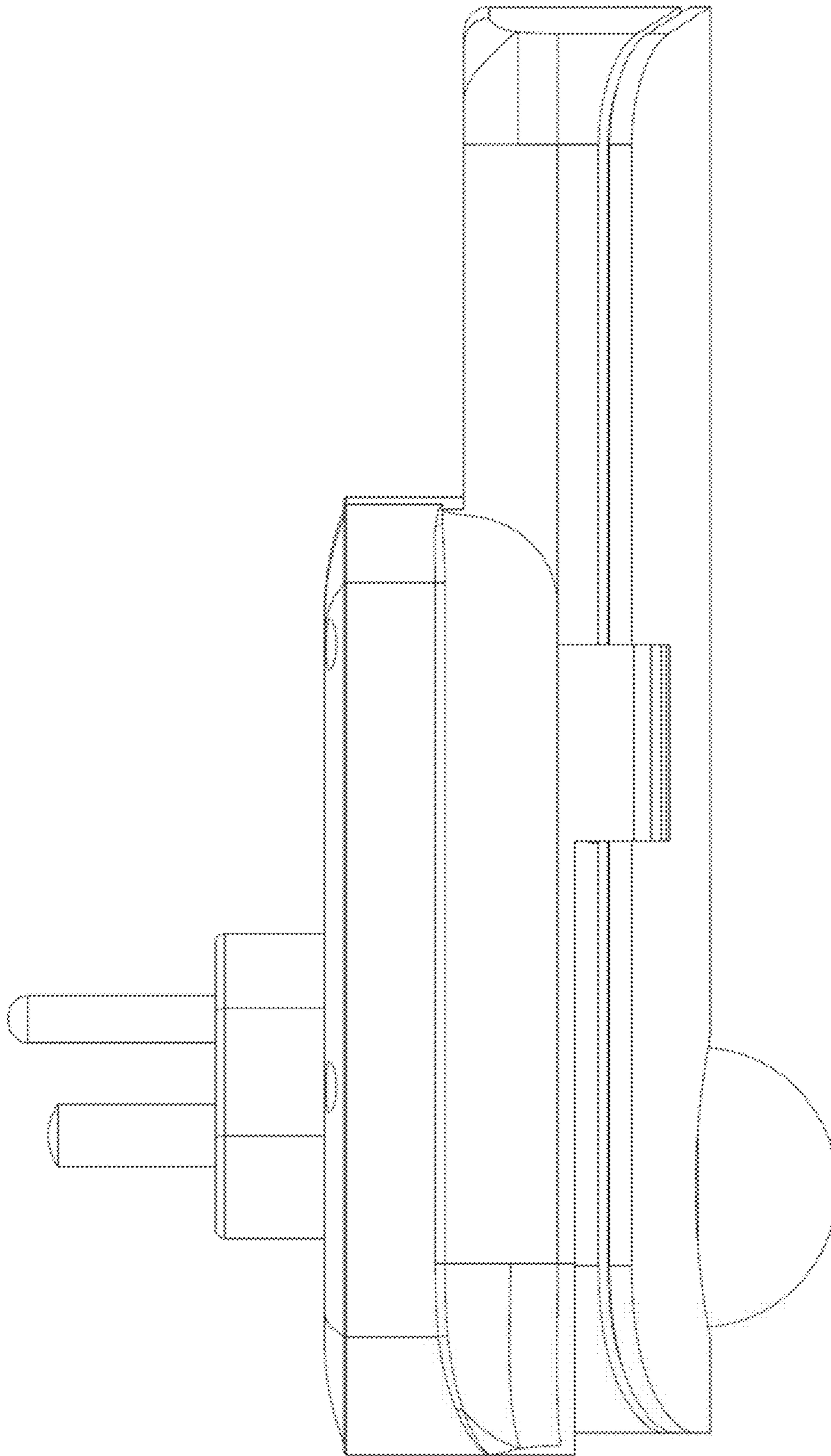


Fig. 4

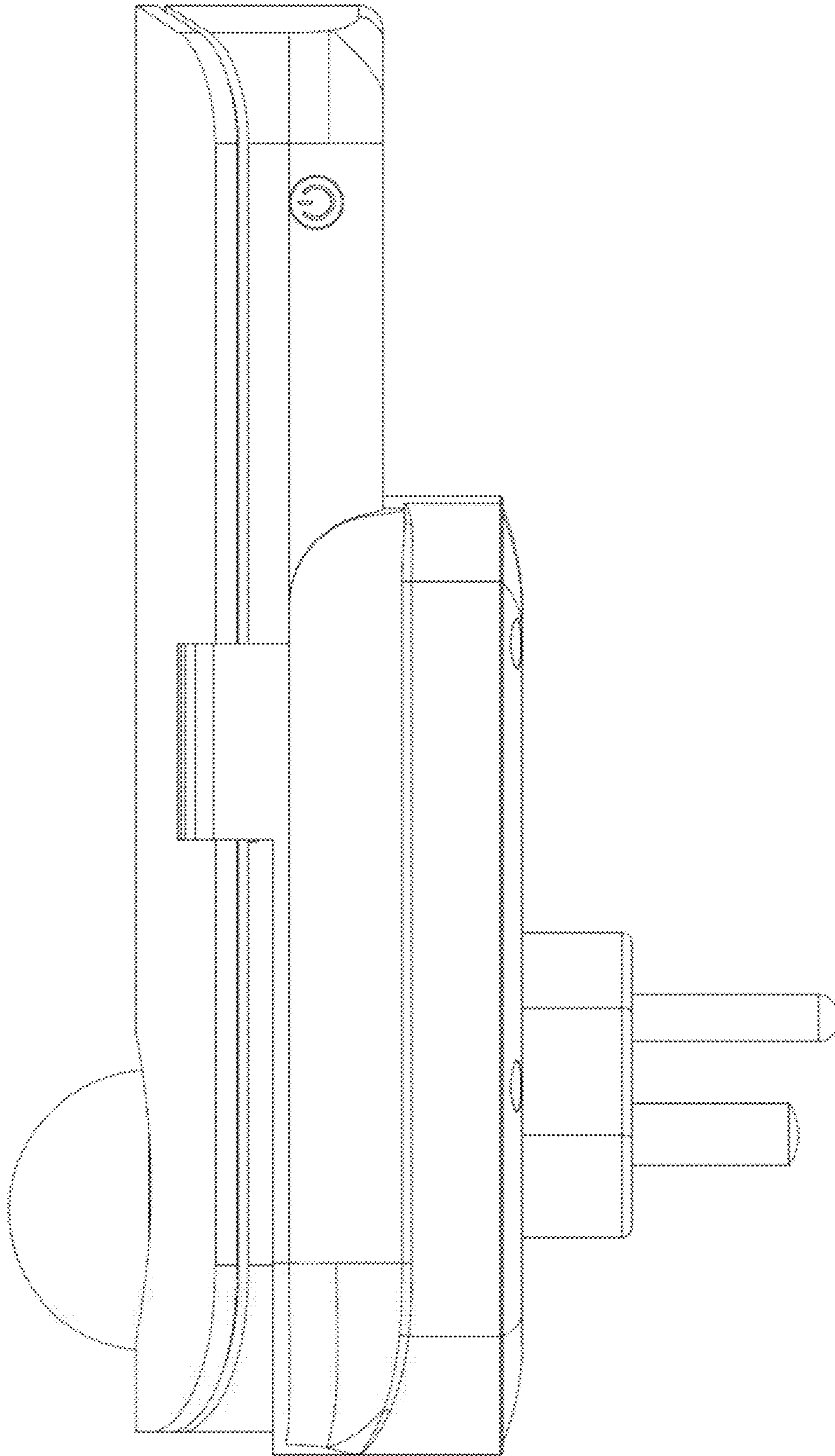


Fig. 5

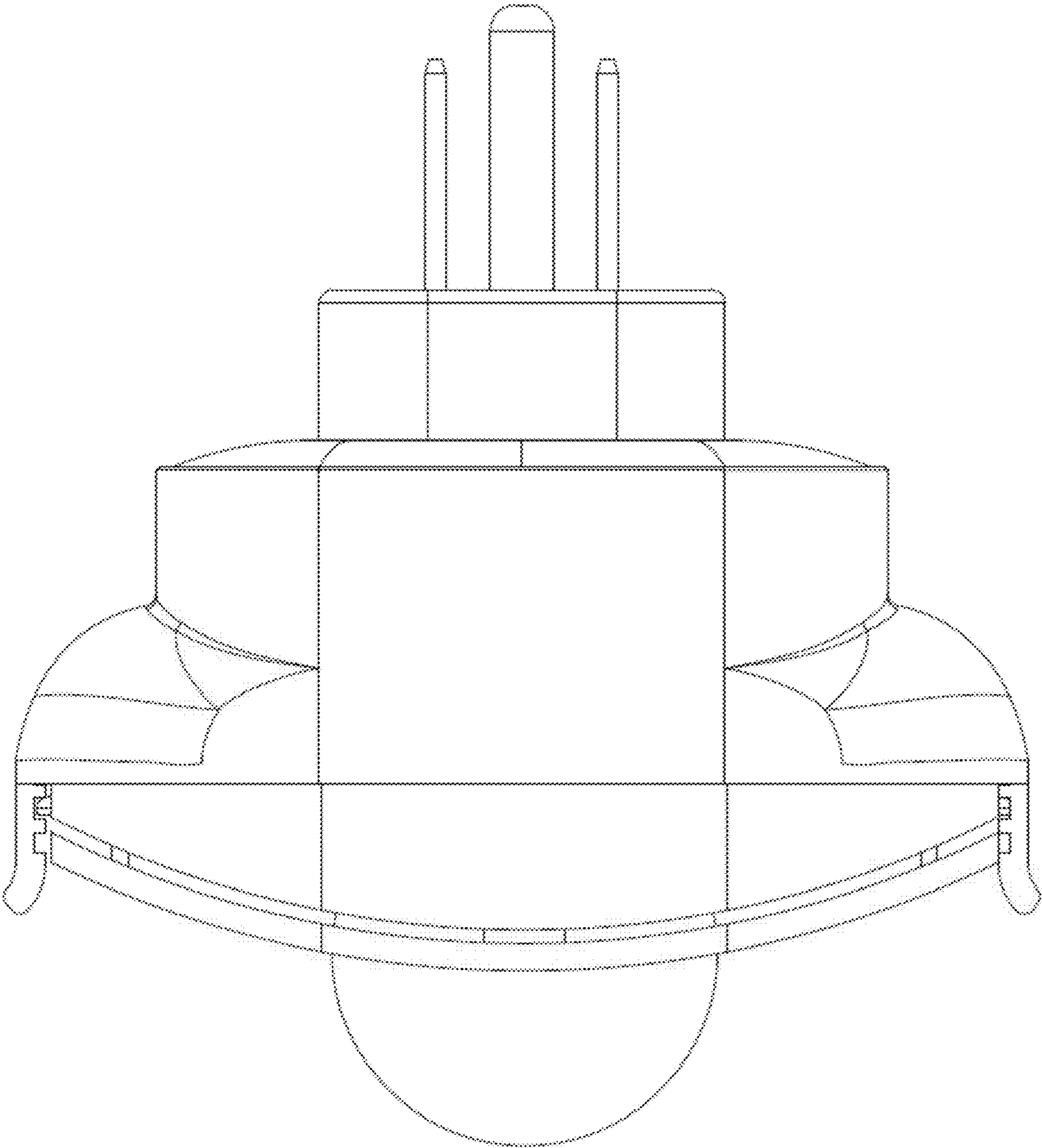


Fig. 6

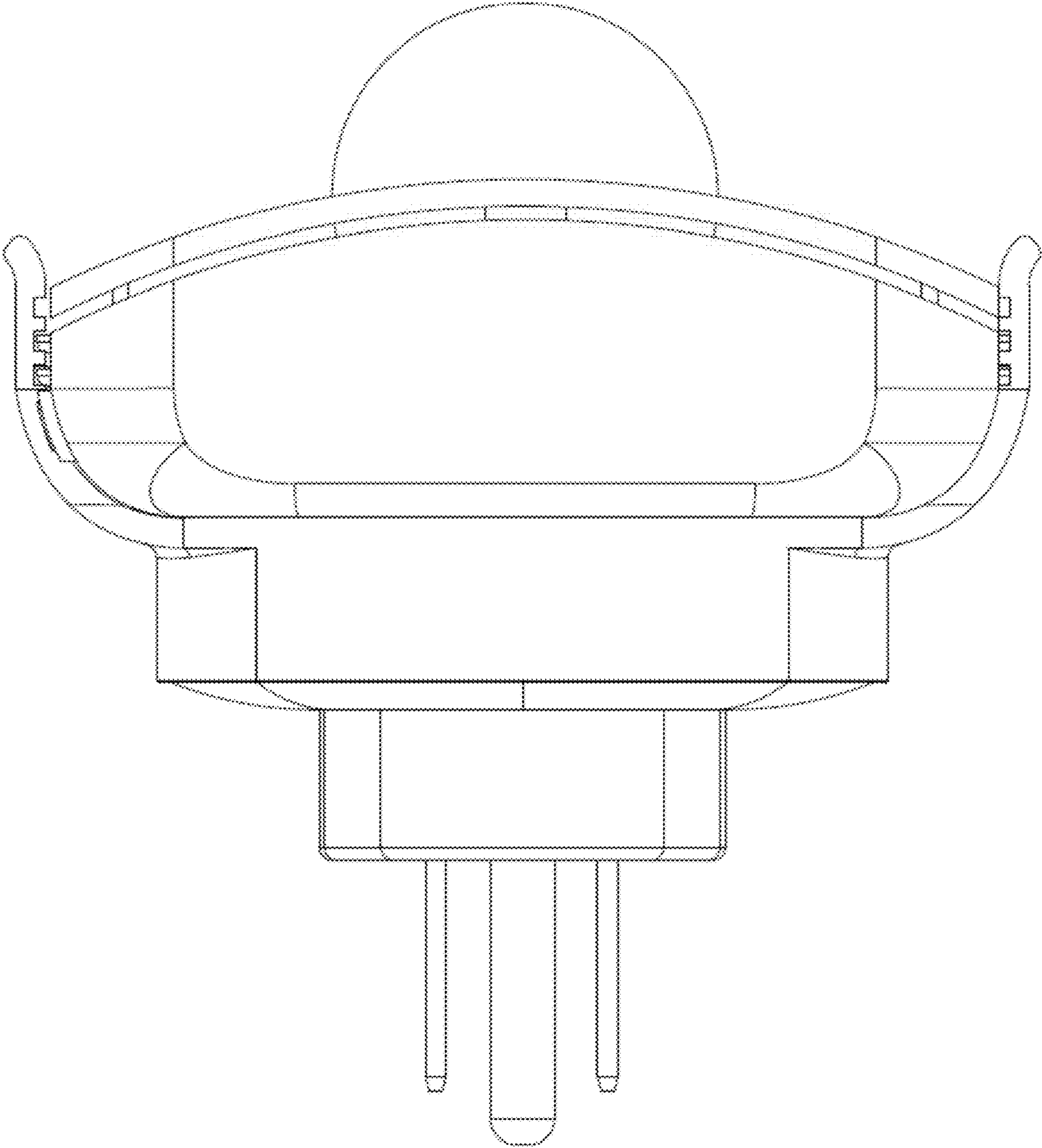


Fig. 7