



US00D883829S

(12) **United States Design Patent** (10) **Patent No.:** **US D883,829 S**
Nytko et al. (45) **Date of Patent:** **** May 12, 2020**

(54) **REMOTE TRANSMITTER FOR PET RECEIVER**

(71) Applicant: **Radio Systems Corporation,**
Knoxville, TN (US)

(72) Inventors: **Robert A. Nytko,** Knoxville, TN (US);
Kevin A. Zinn, Knoxville, TN (US);
Heather C. Williams, Knoxville, TN (US)

(73) Assignee: **Radio Systems Corporation,**
Knoxville, TN (US)

(**) Term: **15 Years**

(21) Appl. No.: **29/604,610**

(22) Filed: **May 18, 2017**

(51) **LOC (12) Cl.** **10-05**

(52) **U.S. Cl.**
USPC **D10/104.1**

(58) **Field of Classification Search**
USPC D10/70, 97, 103, 104.1, 104.2,
D10/106.1-106.95, 108, 114.1, 121, 123,
D10/124, 125, 126, 132; D16/202, 203,
D16/214, 215; D14/435, 437
CPC G08B 17/00; G08B 17/06; G08B 17/10;
G08B 17/11; G08B 17/12; G08B 17/103;
G08B 17/107; G08B 21/02; G08B
21/0202; G08B 21/0205; A01K 11/006;
A01K 11/008

See application file for complete search history.

(56) **References Cited**

U.S. PATENT DOCUMENTS

D389,139 S 1/1998 Oross et al.
D428,866 S 8/2000 You
D433,395 S 11/2000 Wong

(Continued)

OTHER PUBLICATIONS

Smart Dog Trainer, available at <http://store.petsafe.net/smart-dog-rechargeable-static-remote-trainer>, accessed on Jun. 29, 2017.

(Continued)

Primary Examiner — George D. Kirschbaum

Assistant Examiner — Joseph J Kukella

(74) *Attorney, Agent, or Firm* — Baker Donelson

(57) **CLAIM**

The ornamental design for a remote transmitter for pet receiver, as shown and described.

DESCRIPTION

FIG. 1 is a front perspective view of a remote transmitter for a pet receiver, showing our new design in a first embodiment.

FIG. 2 is a front and right side perspective view thereof.

FIG. 3 is a front and left side perspective view thereof.

FIG. 4 is a front view thereof.

FIG. 5 is a rear view thereof.

FIG. 6 is a right side elevation view thereof.

FIG. 7 is a left side elevation view thereof.

FIG. 8 is a top plan view thereof.

FIG. 9 is a bottom plan view thereof.

FIG. 10 is a front perspective view of a remote transmitter for a pet receiver, showing our new design in a second embodiment.

FIG. 11 is a front and right side perspective view thereof.

FIG. 12 is a front and left side perspective view thereof.

FIG. 13 is a front view thereof.

FIG. 14 is a rear view thereof.

FIG. 15 is a right side elevation view thereof.

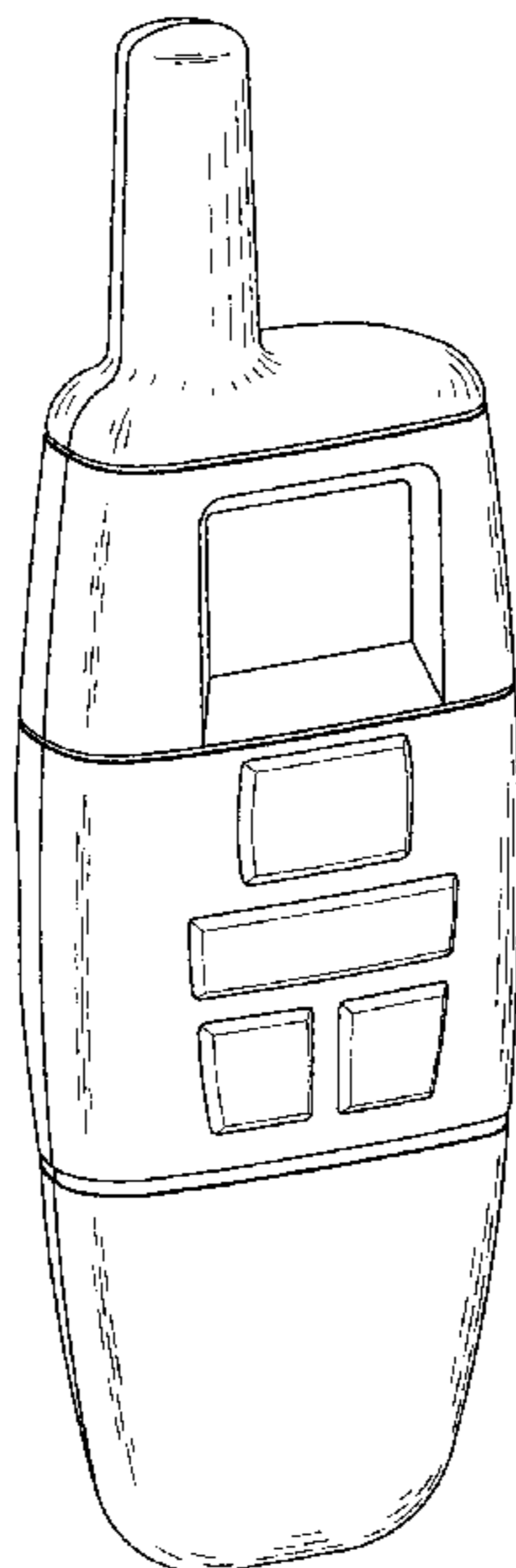
FIG. 16 is a left side elevation view thereof.

FIG. 17 is a top plan view thereof; and,

FIG. 18 is a bottom plan view thereof.

The broken lines depict portions of the remote transmitter for a pet receiver in its two embodiments that form no part of the claimed design.

1 Claim, 12 Drawing Sheets



(56)

References Cited

U.S. PATENT DOCUMENTS

D445,706 S 7/2001 Myers et al.
 D446,144 S 8/2001 Christensen et al.
 D446,195 S 8/2001 Chamberlain et al.
 D452,684 S 1/2002 Sedan et al.
 D467,888 S 12/2002 Mirabelli et al.
 D469,708 S * 2/2003 To D10/104.1
 D475,941 S * 6/2003 Williams D10/104.1
 6,598,563 B2 7/2003 Kim et al.
 D480,695 S 10/2003 Cebe et al.
 D482,630 S 11/2003 So
 D491,548 S 6/2004 Cho
 6,860,240 B2 3/2005 Kim et al.
 D545,790 S 7/2007 Jameson et al.
 D545,791 S 7/2007 Jameson et al.
 D573,564 S 7/2008 Goetzl et al.
 7,602,302 B2 10/2009 Hokuf et al.
 7,607,406 B2 10/2009 So
 8,181,607 B2 5/2012 Kim
 D719,708 S * 12/2014 Ye D10/104.1
 D721,861 S * 1/2015 Guo D10/104.1
 D771,327 S * 11/2016 Hu D10/104.1
 D774,935 S * 12/2016 Liu D10/104.1
 D805,701 S * 12/2017 Li D30/199
 D813,473 S * 3/2018 Ni D30/199
 D815,372 S * 4/2018 Goetzl D30/199
 D862,812 S * 10/2019 Jia D30/199

OTHER PUBLICATIONS

Adventure Dog Trainer, available at <http://store.petsafe.net/adventure-rechargeable-static-remote-trainer>, accessed on Jun. 29, 2017.
 Elite Big Dog Remote Trainer, available at <http://store.petsafe.net/elite-big-dog-remote-trainer>, accessed on Jun. 29, 2017.

Elite Little Dog Remote Trainer, available at <http://store.petsafe.net/elite-little-dog-remote-trainer>, accessed on Jun. 29, 2017.
 Big Dog Remote Trainer, available at <http://store.petsafe.net/big-dog-remote-trainer>, accessed on Jun. 29, 2017.
 Little Dog Remote Trainer, available at <http://store.petsafe.net/little-dog-remote-trainer>, accessed on Jun. 29, 2017.
 Yard and Park Trainer, available at <http://store.petsafe.net/yard-and-park-remote->, accessed on Jun. 29, 2017.
 Vibration Remote Trainer, available at <http://store.petsafe.net/vibration-remote-trainer>, accessed on Jun. 29, 2017.
 Basic Remote Trainer, available at <http://store.petsafe.net/basic-remote-trainer>, accessed on Jun. 29, 2017.
 Remote Spray Trainer, available at <http://store.petsafe.net/spray-commander>, accessed on Jun. 29, 2017.
 Collarless Remote Trainer, available at <http://store.petsafe.net/collarless-ultrasonic-remote-trainer>, accessed on Jun. 29, 2017.
 Petranier Dog Training Collar, available at https://www.amazon.com/Petranier-PET998DRB1-Rechargeable-Rainproof-Electronic/dp/B00W6UVROK/ref=sr_1_1?ie=UTF8&qid=1498764369&sr=8-1&keywords=remote+transmitter+pet, accessed on Jun. 29, 2017.
 Petronics Dog Shock Training Collar, available at https://www.amazon.com/Petronics-Rechargeable-Training-Electronic-Vibration/dp/B018I5XQ2M/ref=sr_1_5?ie=UTF8&qid=1498764369&sr=8-5&keywords=remote+transmitter+pet, accessed on Jun. 29, 2017.
 PetSpy Remote Transmitter, available at https://www.amazon.com/PetSpy-Extra-Wireless-Remote-Transmitter/dp/B01EDBQERE/ref=sr_1_6?ie=UTF8&qid=1498764369&sr=8-6&keywords=remote+transmitter+pet, accessed on Jun. 29, 2017.
 Smarz Pet Training Dog Collar, available at https://www.amazon.com/SMARZ-PET-Waterproof-Rechargeable-Electronic/dp/B01FSCMZSO/ref=sr_1_7?ie=UTF8&qid=1498764369&sr=8-7&keywords=remote+transmitter+pet, accessed on Jun. 29, 2017.

* cited by examiner

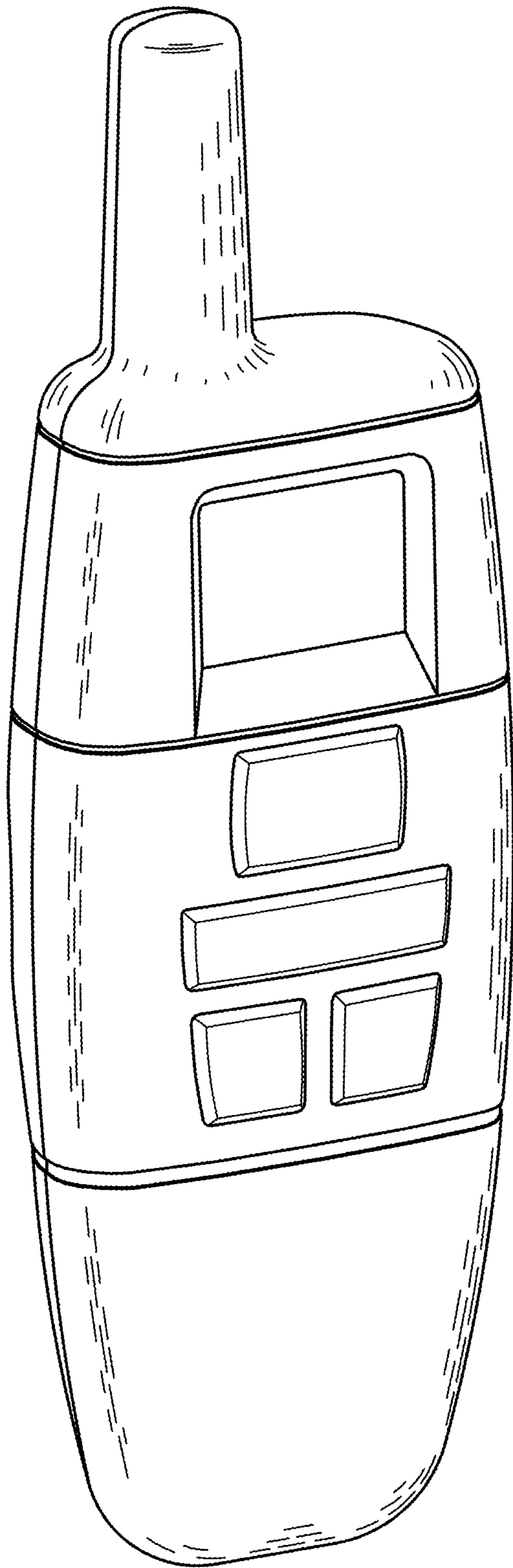


FIG. 1

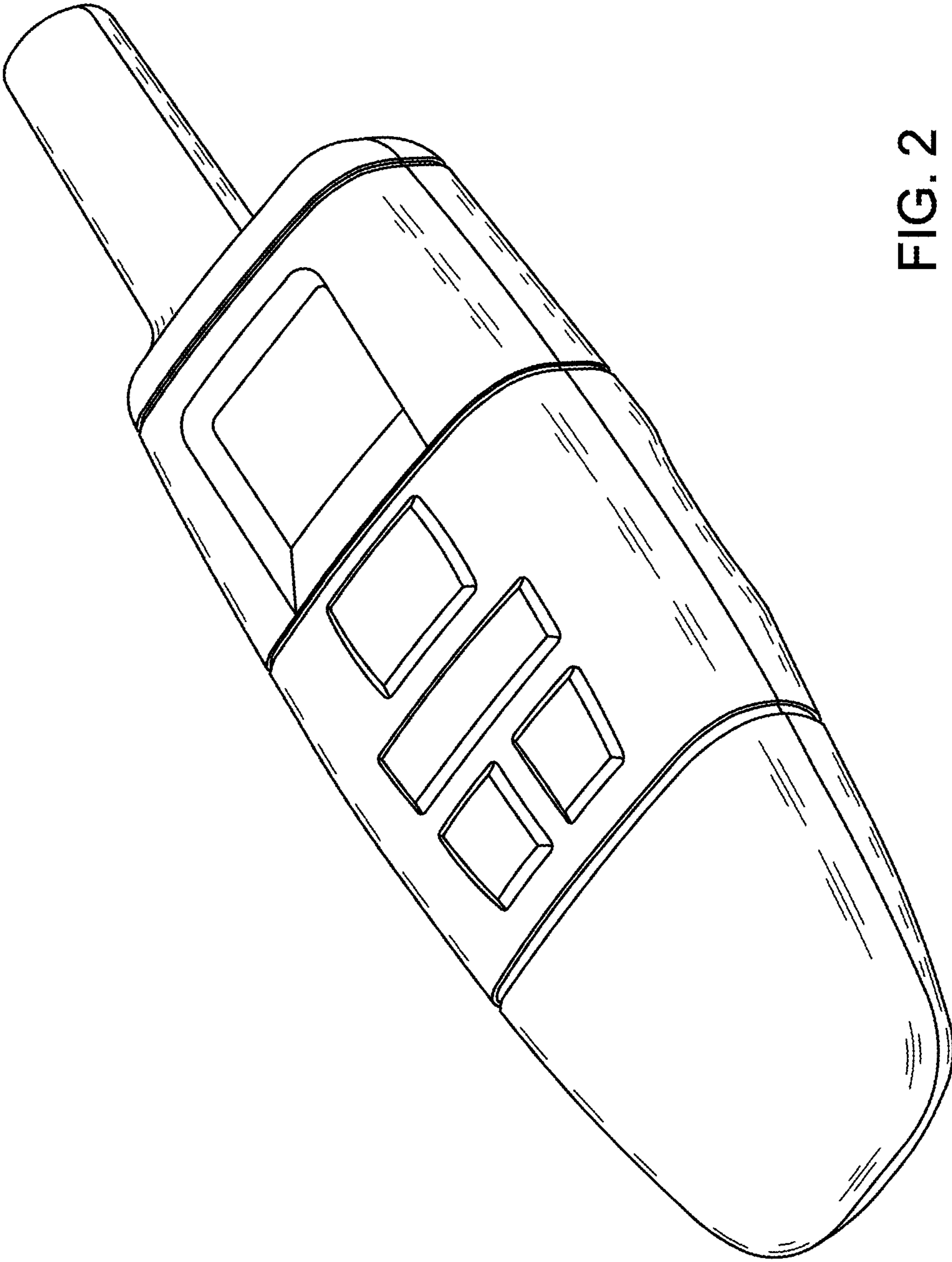


FIG. 2

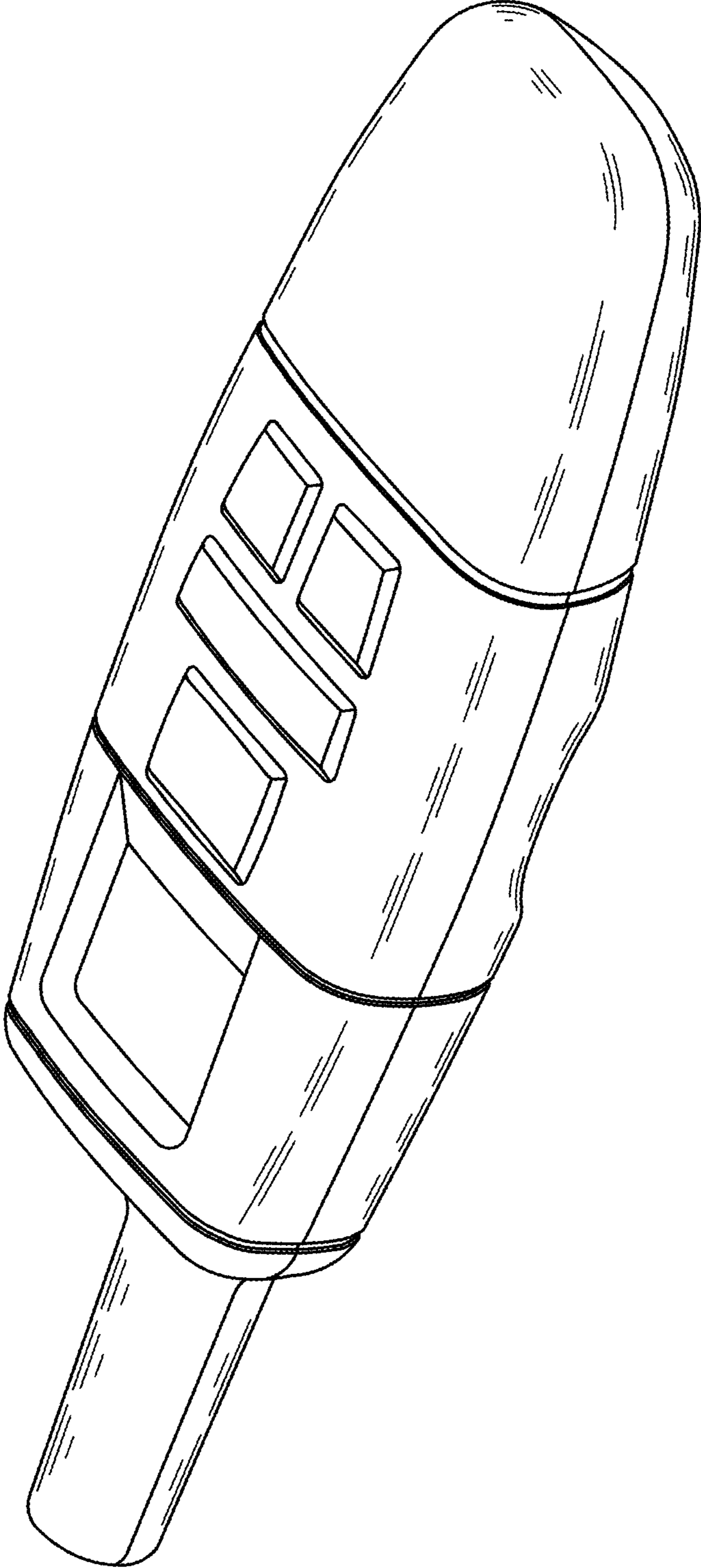


FIG. 3

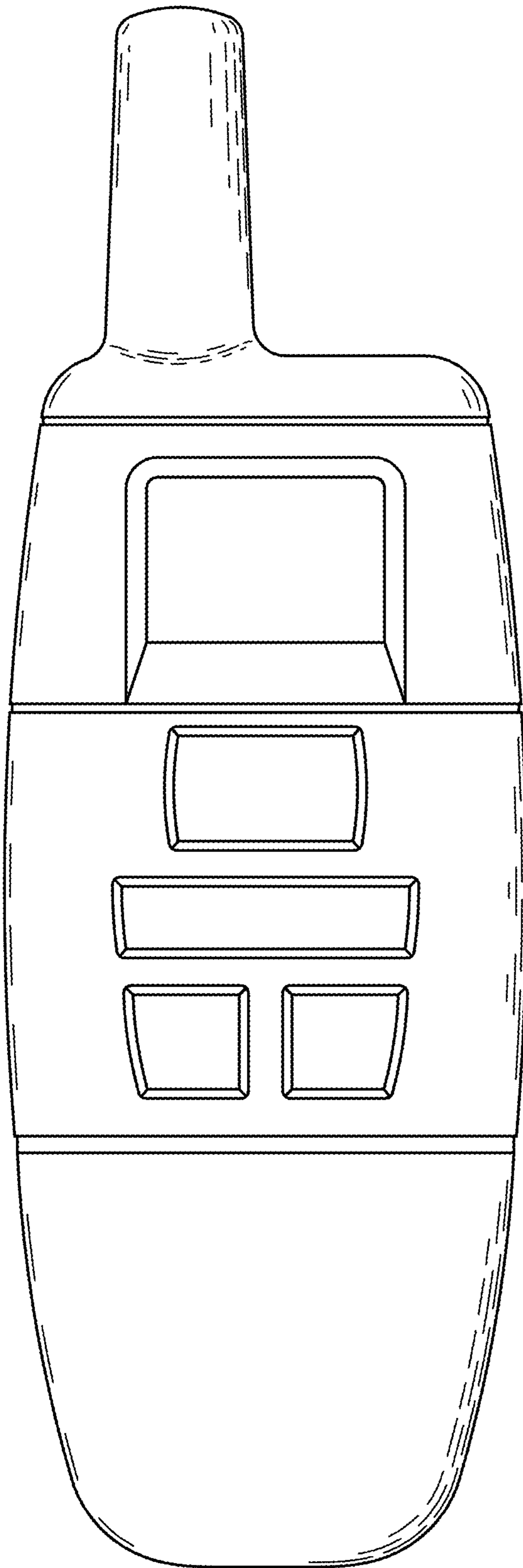


FIG. 4

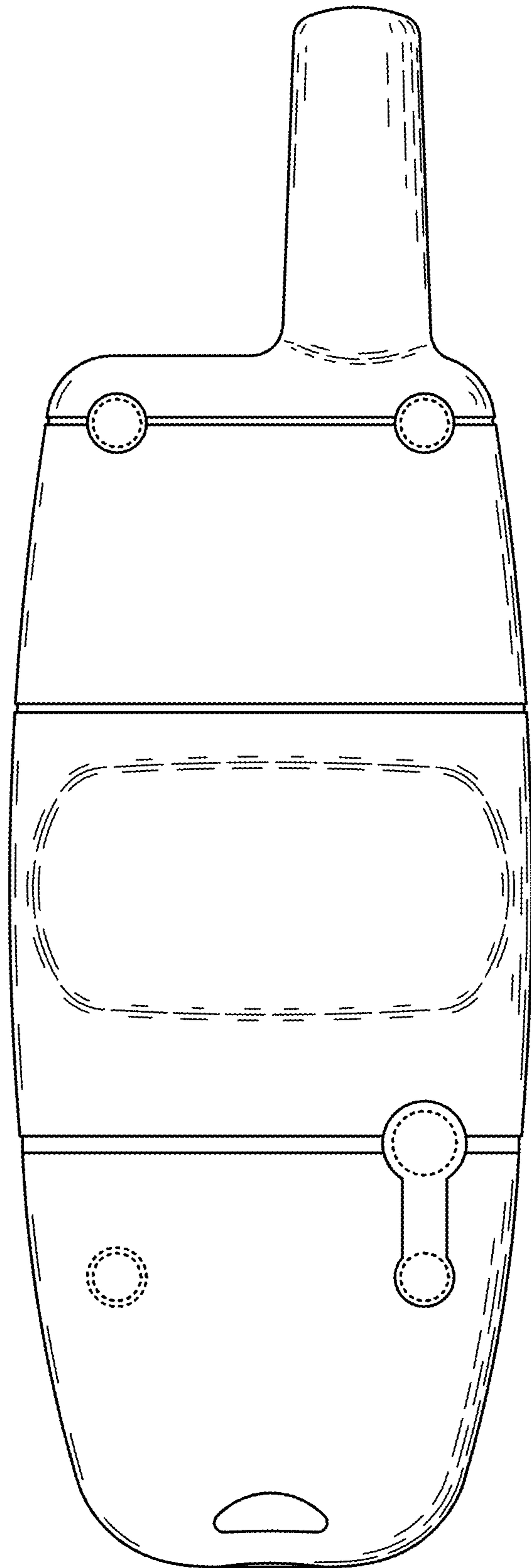


FIG. 5

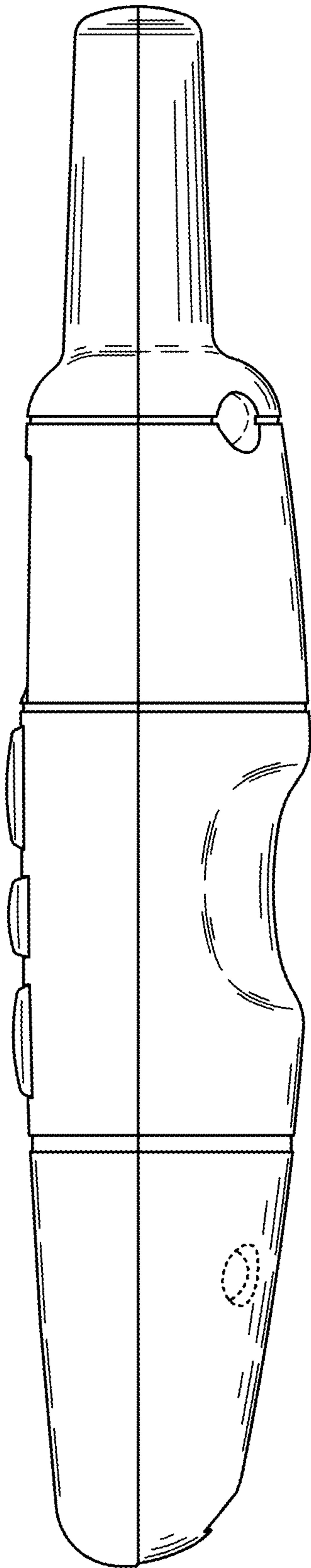


FIG. 6

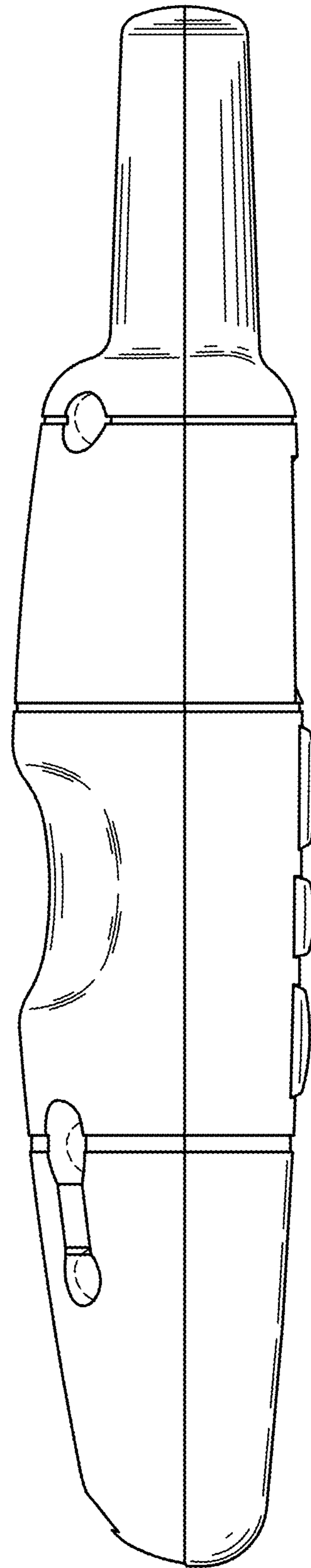


FIG. 7

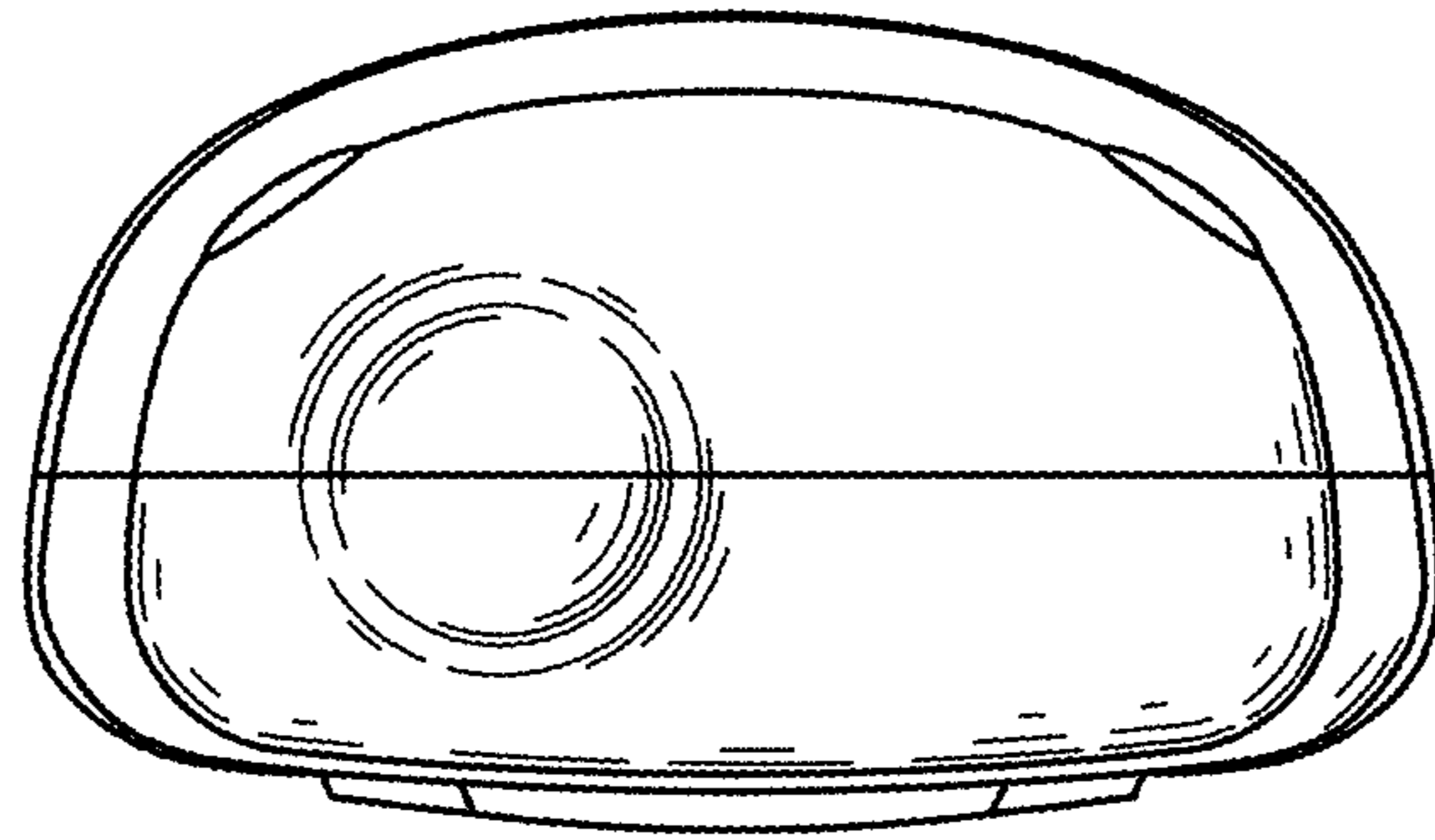


FIG. 8

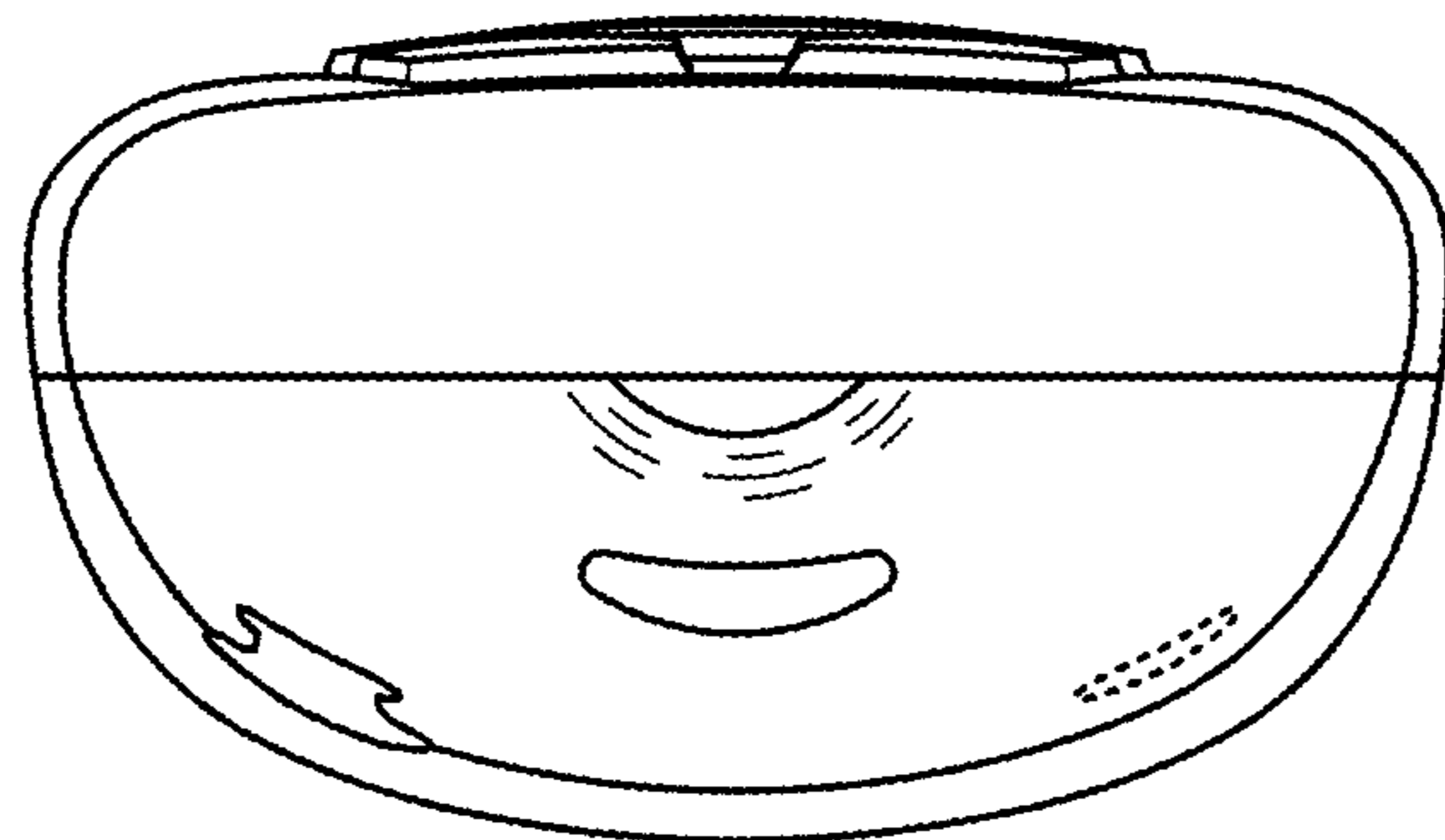


FIG. 9

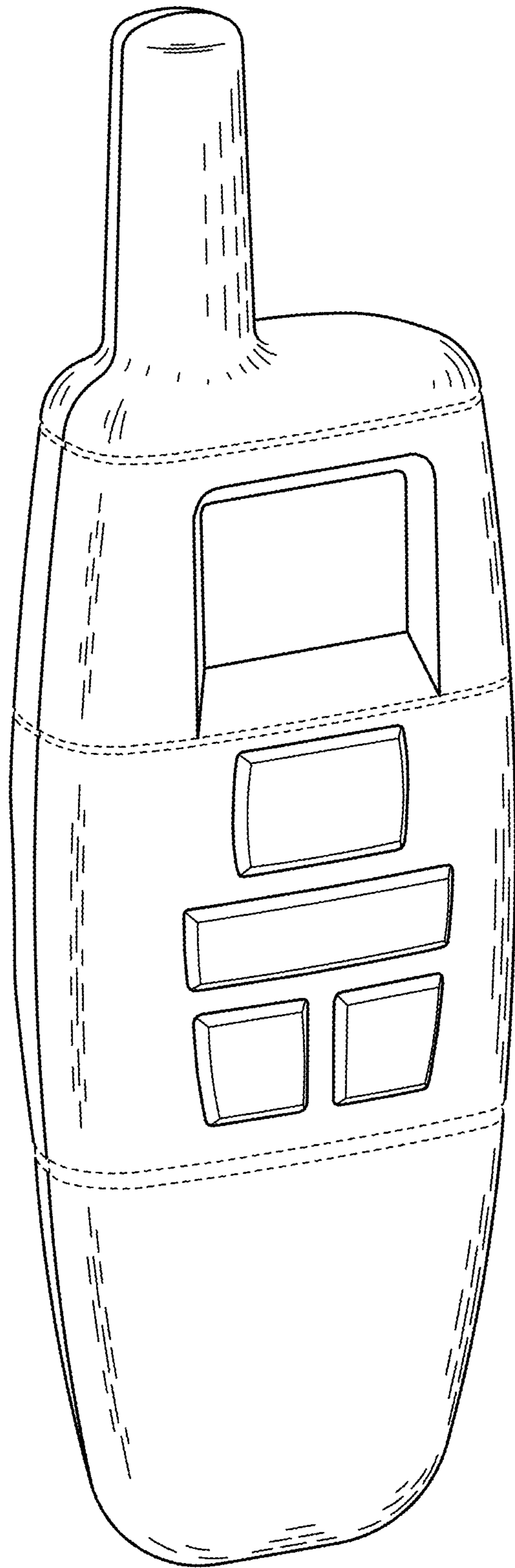


FIG. 10

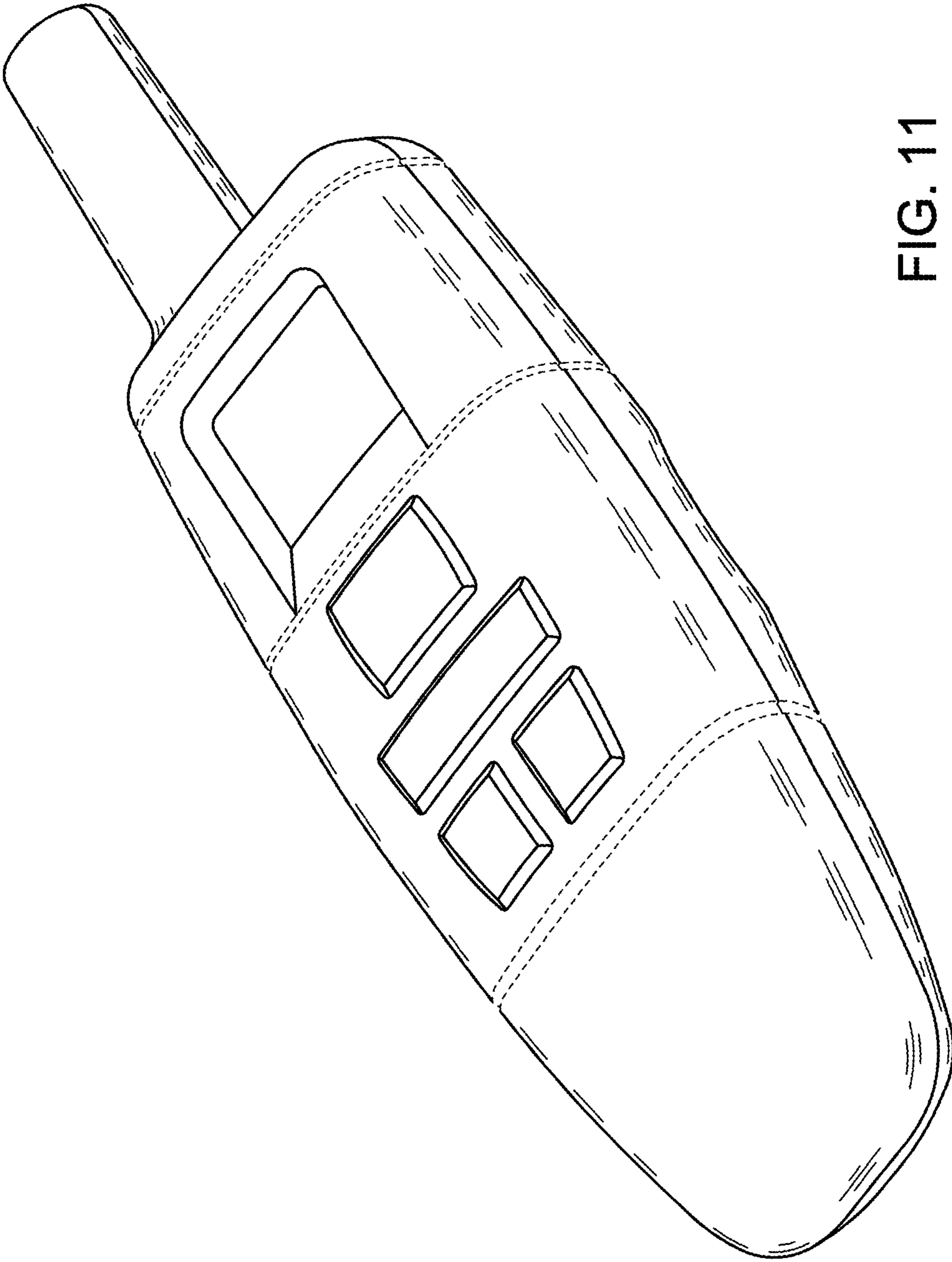


FIG. 11

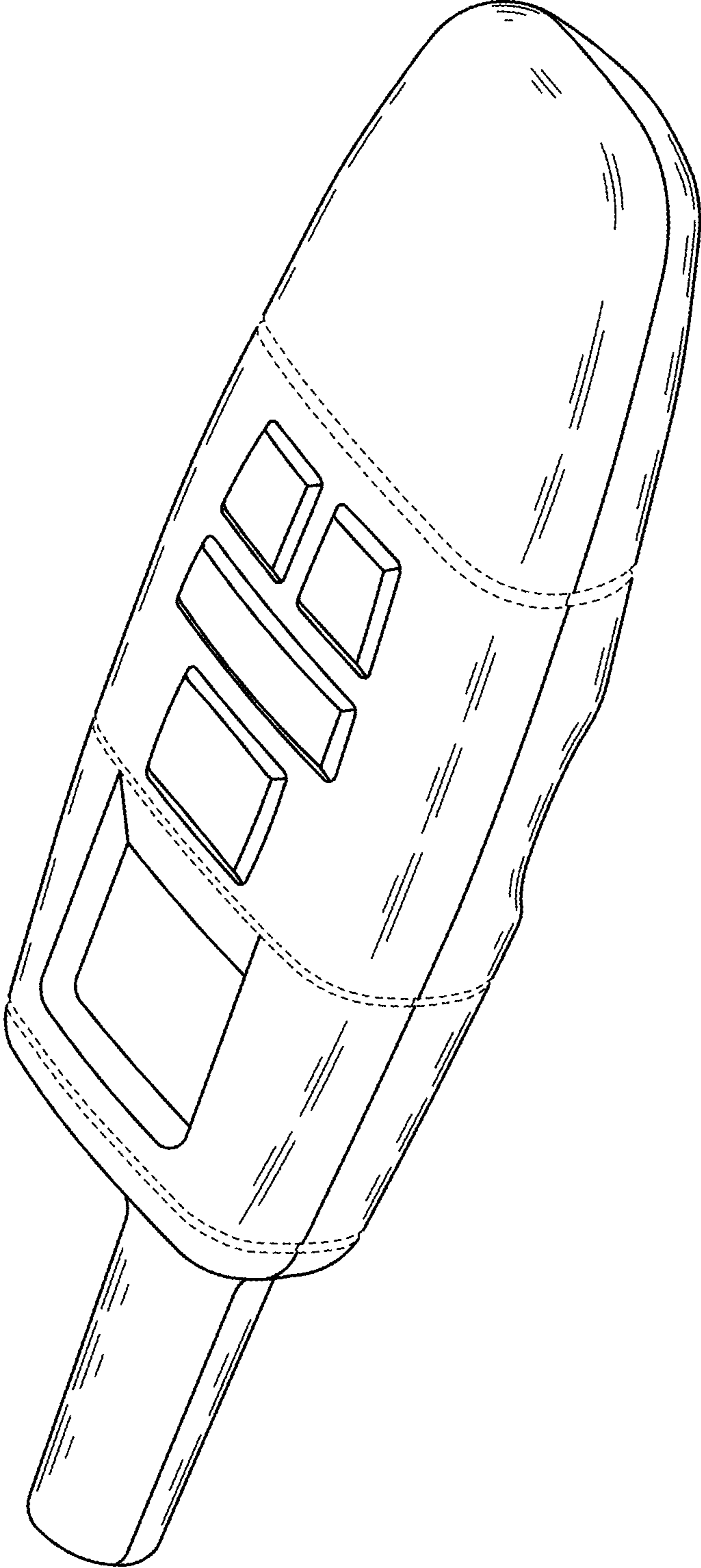


FIG. 12

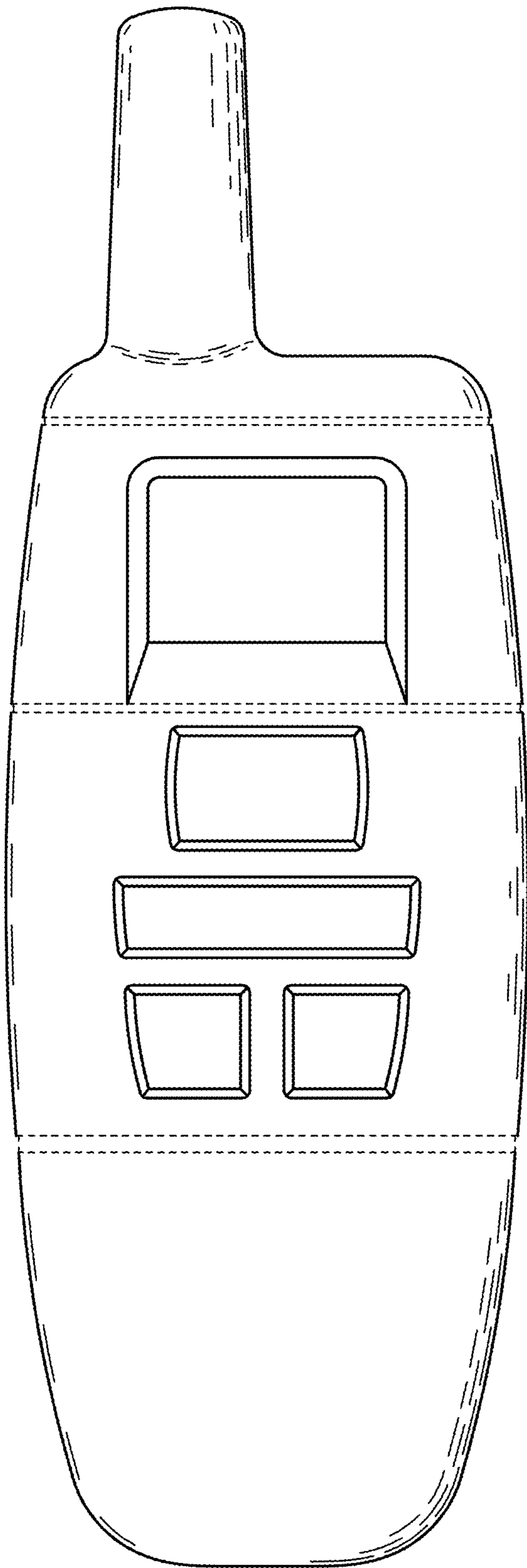


FIG. 13

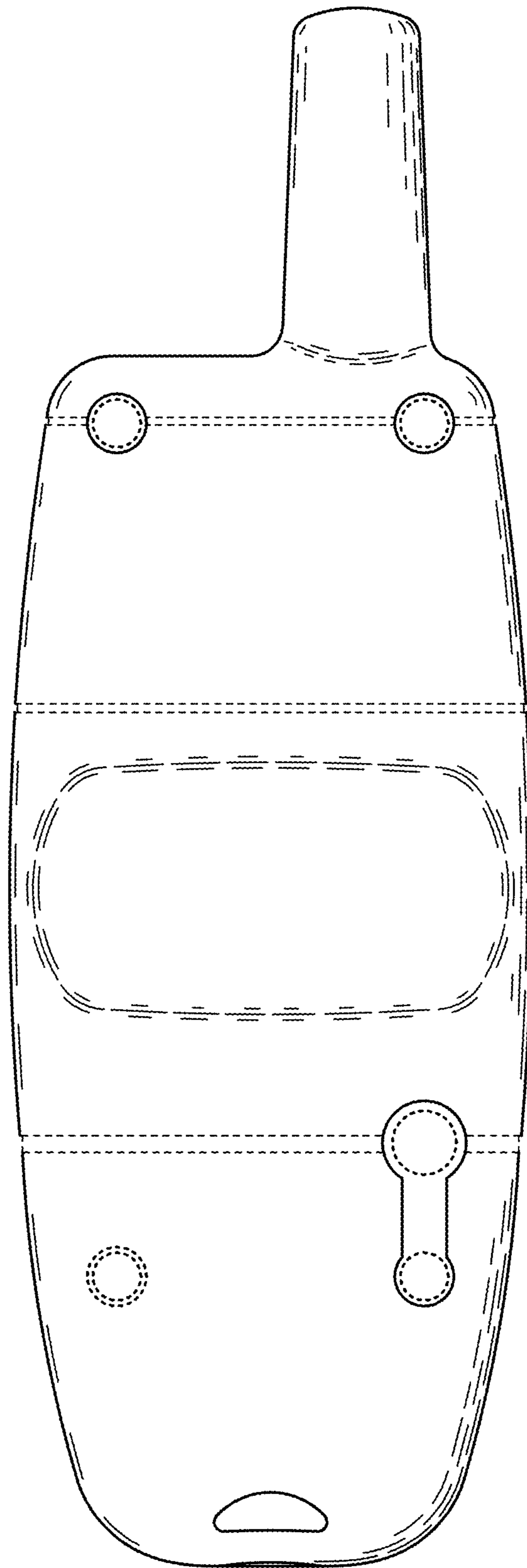


FIG. 14

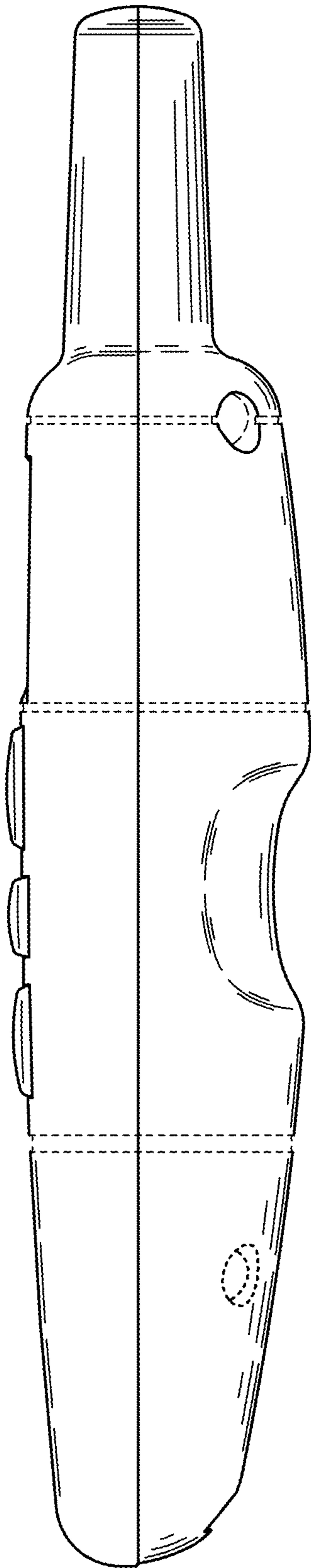


FIG. 15

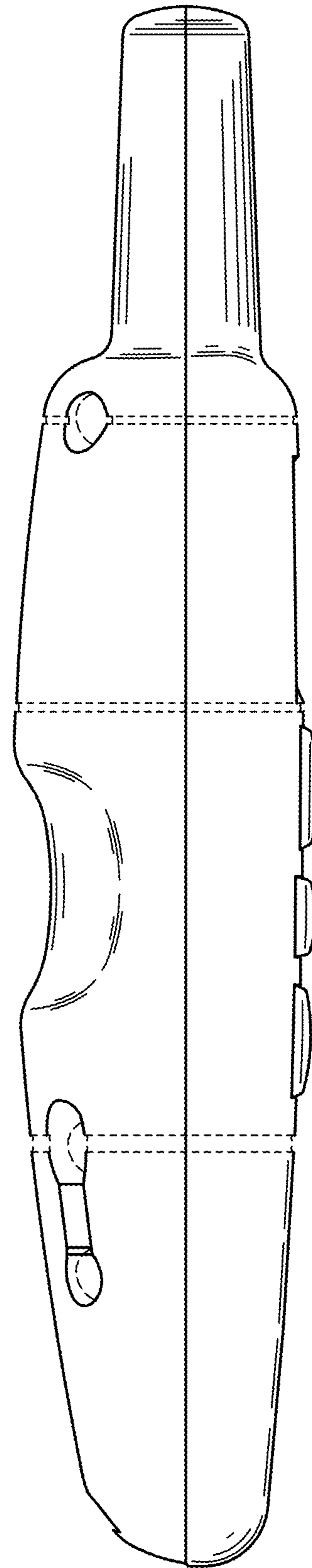


FIG. 16

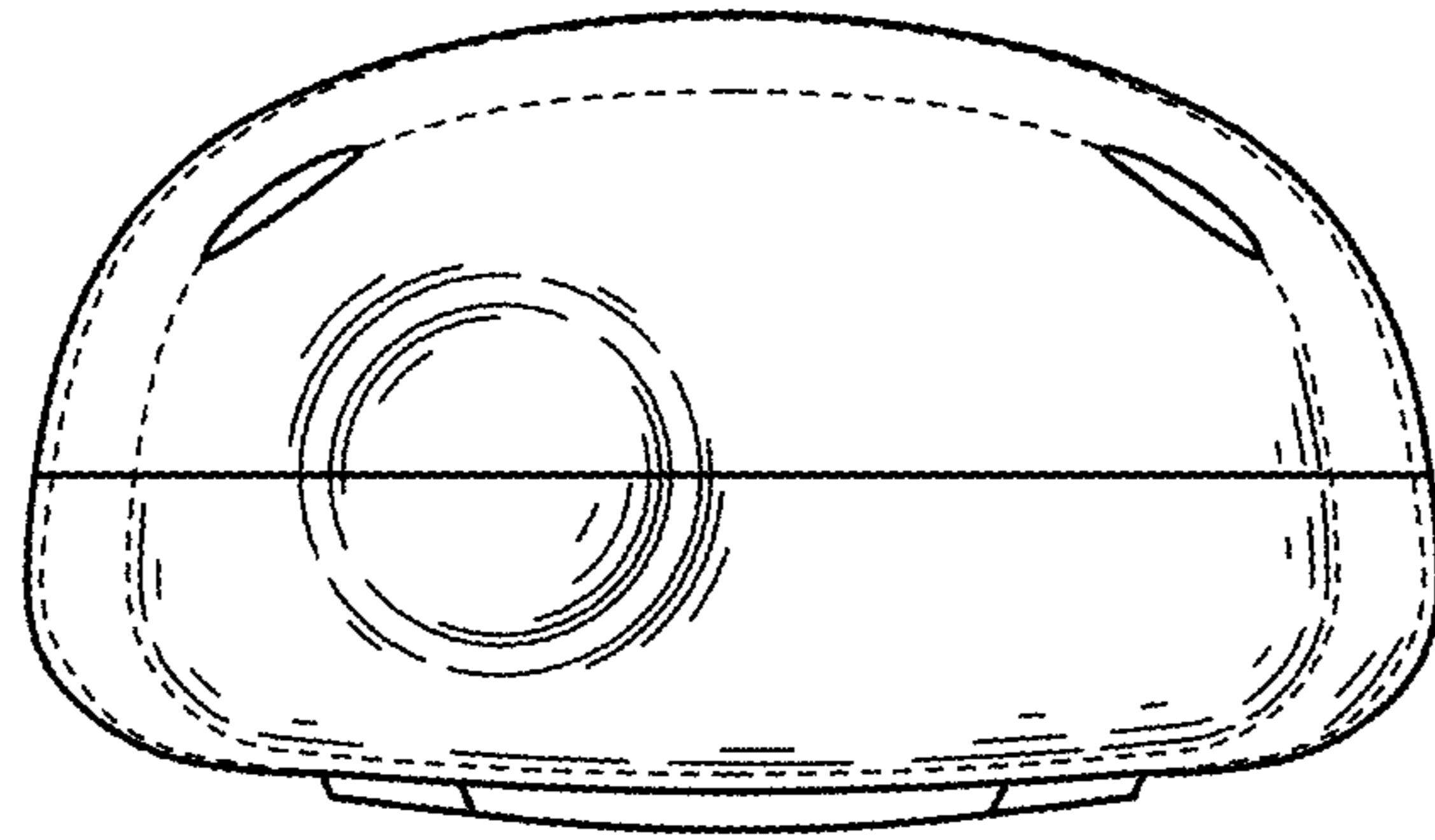


FIG. 17

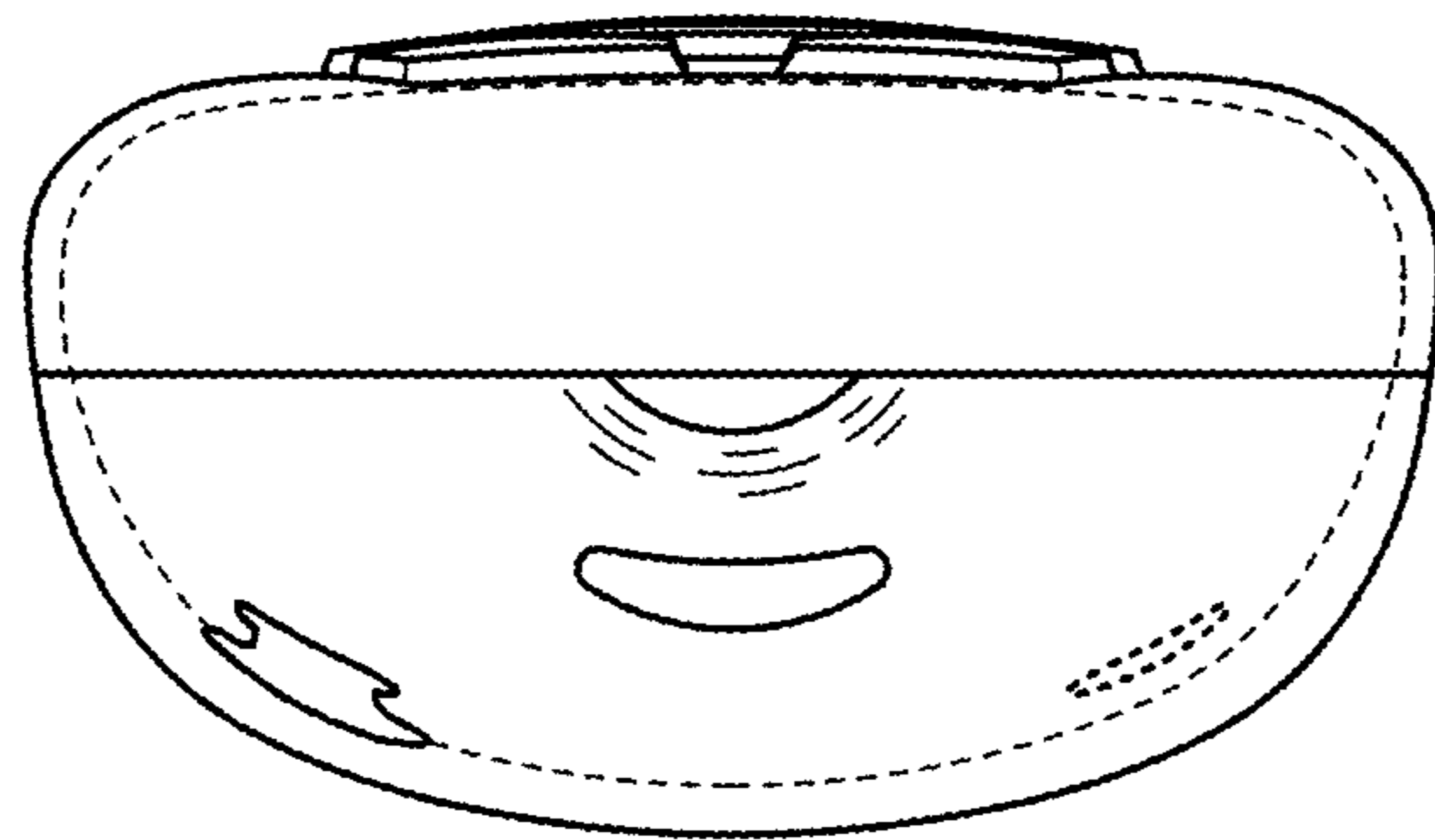


FIG. 18