



US00D883826S

(12) **United States Design Patent**
Hendey, Sr.

(10) **Patent No.:** **US D883,826 S**
(45) **Date of Patent:** **** May 12, 2020**

(54) **FIRE HYDRANT FLOW METER WITH HANDLES**

(71) Applicant: **Arthur A Hendey, Sr.**, Beaumont, CA (US)

(72) Inventor: **Arthur A Hendey, Sr.**, Beaumont, CA (US)

(**) Term: **15 Years**

(21) Appl. No.: **29/663,713**

(22) Filed: **Sep. 18, 2018**

(51) **LOC (12) Cl.** **10-04**

(52) **U.S. Cl.**
USPC **D10/96**

(58) **Field of Classification Search**
USPC D10/96, 99, 100, 101; D23/233, 234, D23/249; 137/315.06, 296, 272; 73/198, 73/201; 251/143
CPC F16K 27/006; F16K 35/10; F16K 27/12; G01F 15/063; G01F 1/075; E03B 7/072
See application file for complete search history.

(56) **References Cited**

U.S. PATENT DOCUMENTS

D283,805 S *	5/1986	Waters	D10/101
D348,018 S *	6/1994	Poleshuk	D10/96
D349,661 S *	8/1994	DeJarlais	D10/99
6,345,541 B1	2/2002	Hendey, Sr.		
D472,835 S	4/2003	Hendey, Sr.		

6,931,946 B1	8/2005	Hendey, Sr.		
6,952,970 B1 *	10/2005	Furmidge	G01F 1/075 73/861.19
7,735,381 B2 *	6/2010	Lodolo	G01F 25/0007 73/861.79
7,854,165 B2 *	12/2010	Ball	G01F 3/12 73/201
8,051,723 B2 *	11/2011	Hendey, Sr.	G01F 15/066 73/861.77
D680,457 S	4/2013	Hendey, Sr.		
9,568,351 B1 *	2/2017	Gregory	G01F 15/14

* cited by examiner

Primary Examiner — Gino Colan

(74) *Attorney, Agent, or Firm* — Morland C. Fischer

(57) **CLAIM**

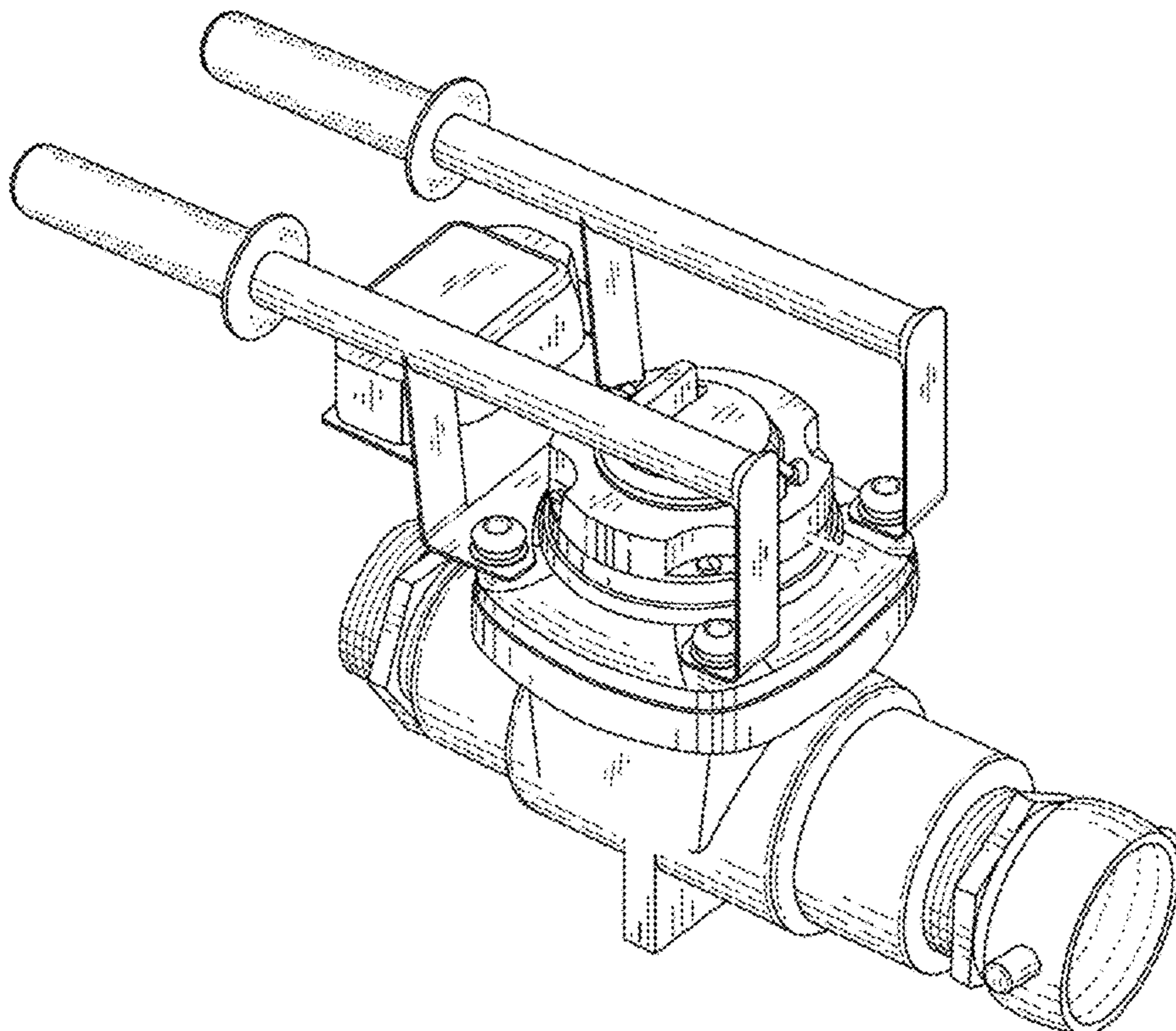
The ornamental design for a fire hydrant flow meter with handles, as shown and described.

DESCRIPTION

FIG. 1 is a perspective view of a fire hydrant flow meter with handles showing my new design;
FIG. 2 is a top plan view thereof;
FIG. 3 is a left side elevational view thereof;
FIG. 4 is a right side elevational view thereof;
FIG. 5 is a bottom plan view thereof;
FIG. 6 is a front elevational view thereof; and,
FIG. 7 is a rear elevational view thereof.

The broken lines shown in the figures are included for the purpose of illustrating environment which form no part of the claimed design.

1 Claim, 4 Drawing Sheets



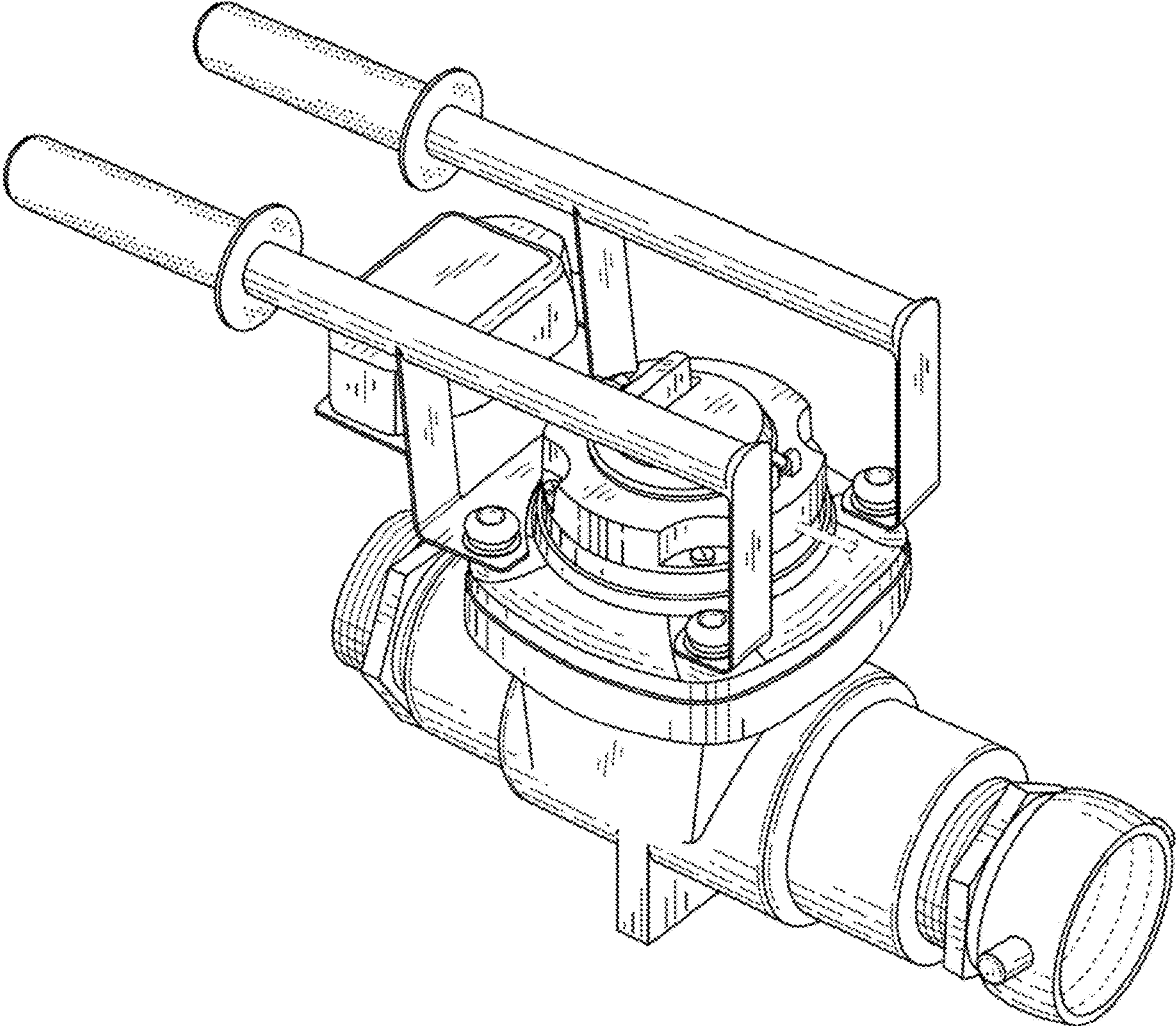


FIG. 1

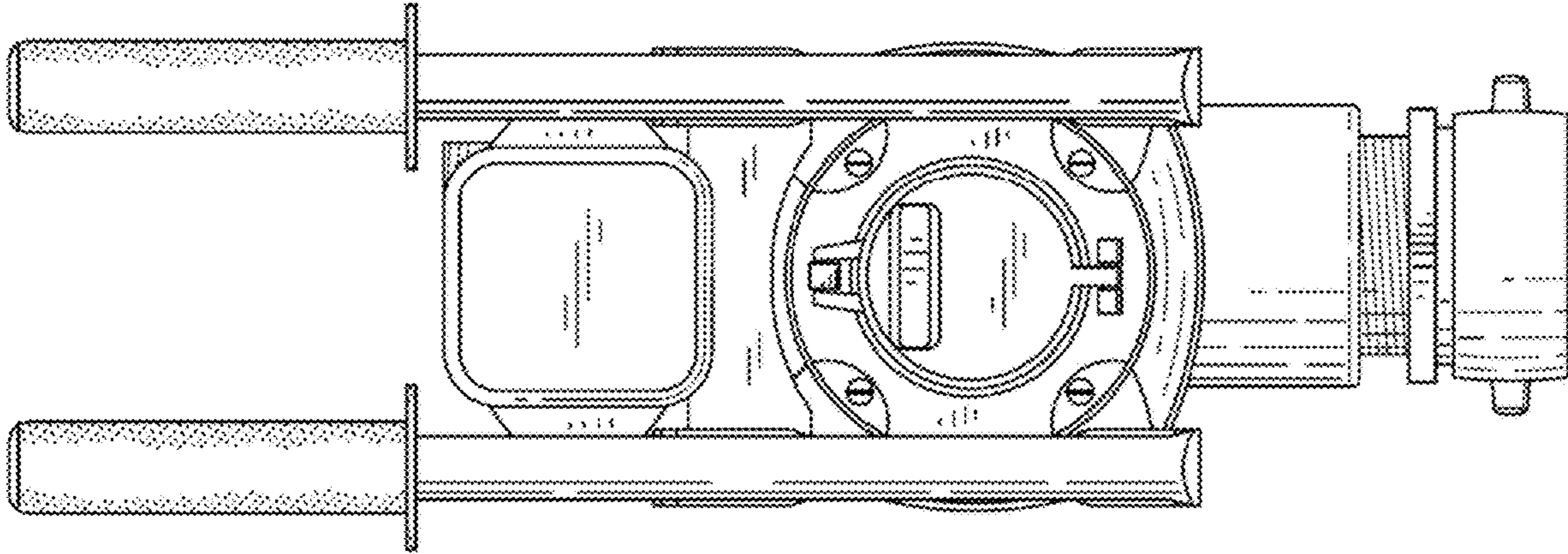


FIG. 2

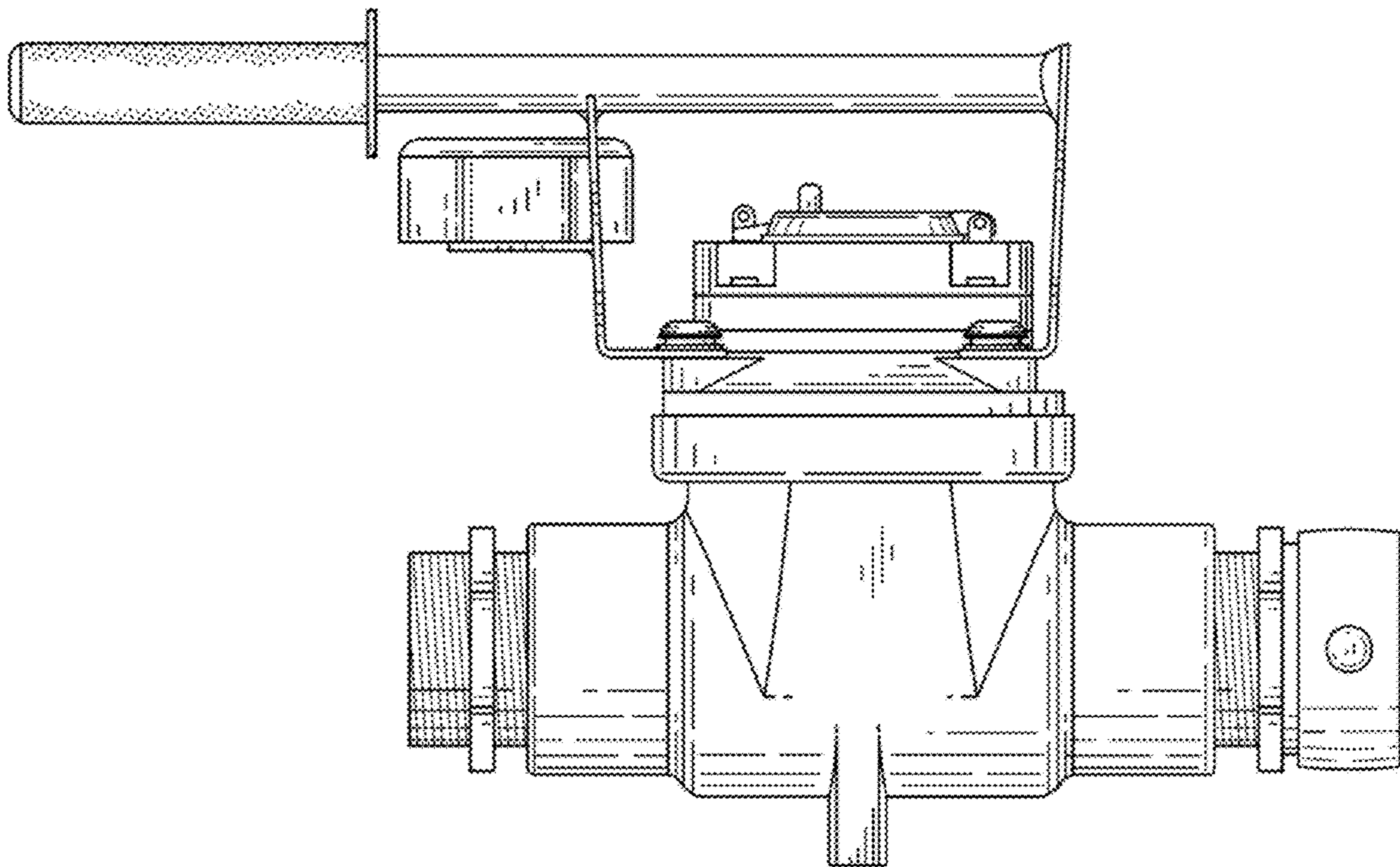


FIG. 3

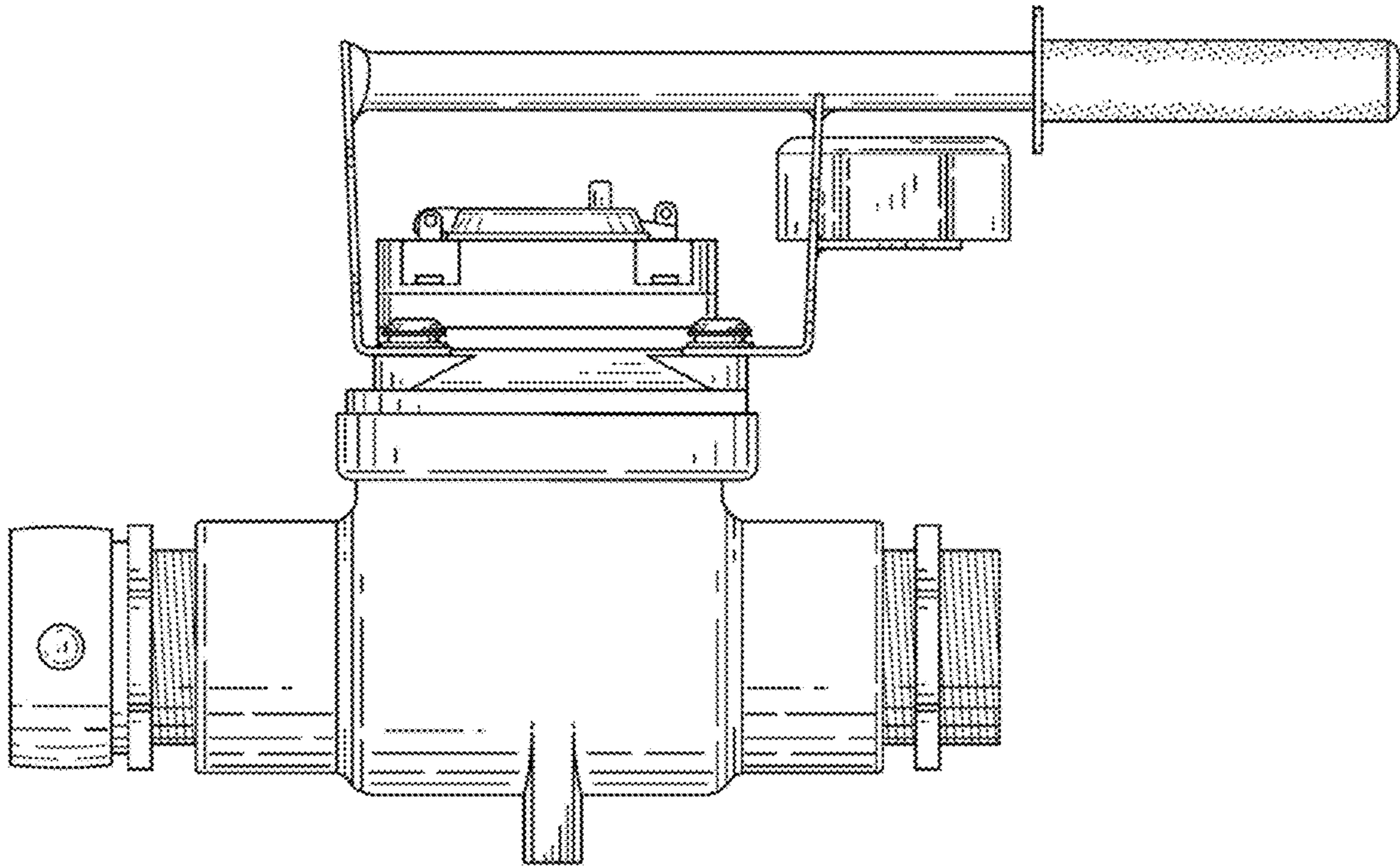


FIG. 4

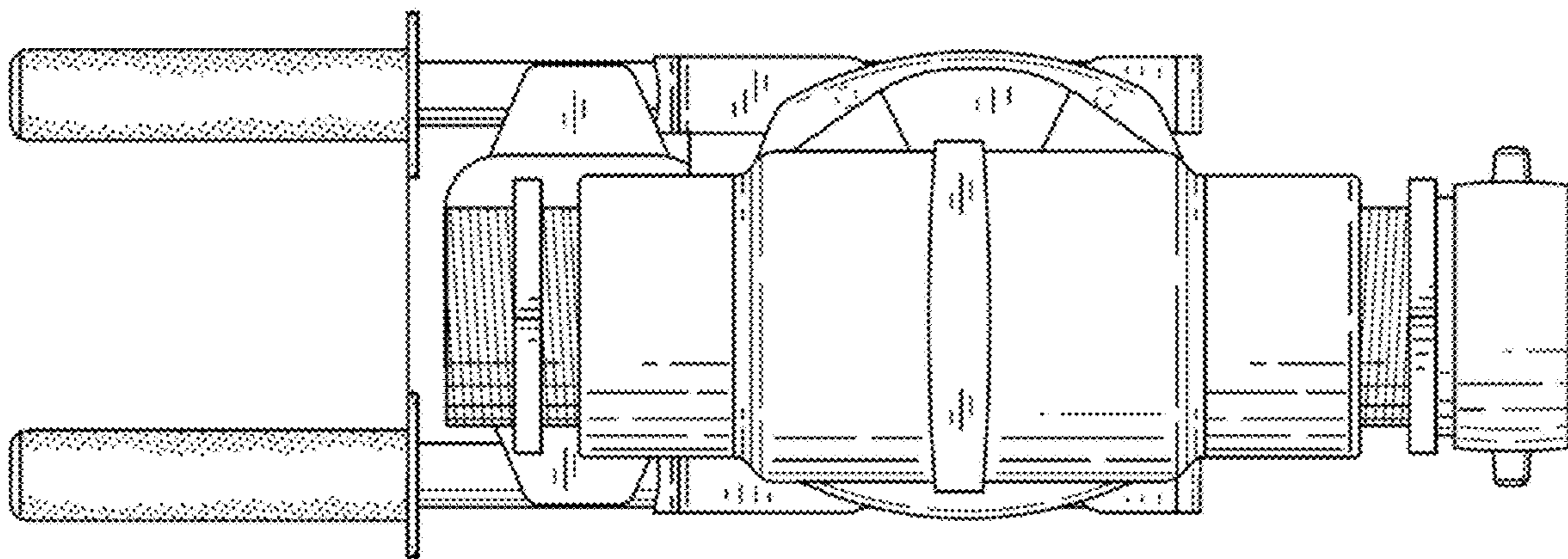


FIG. 5

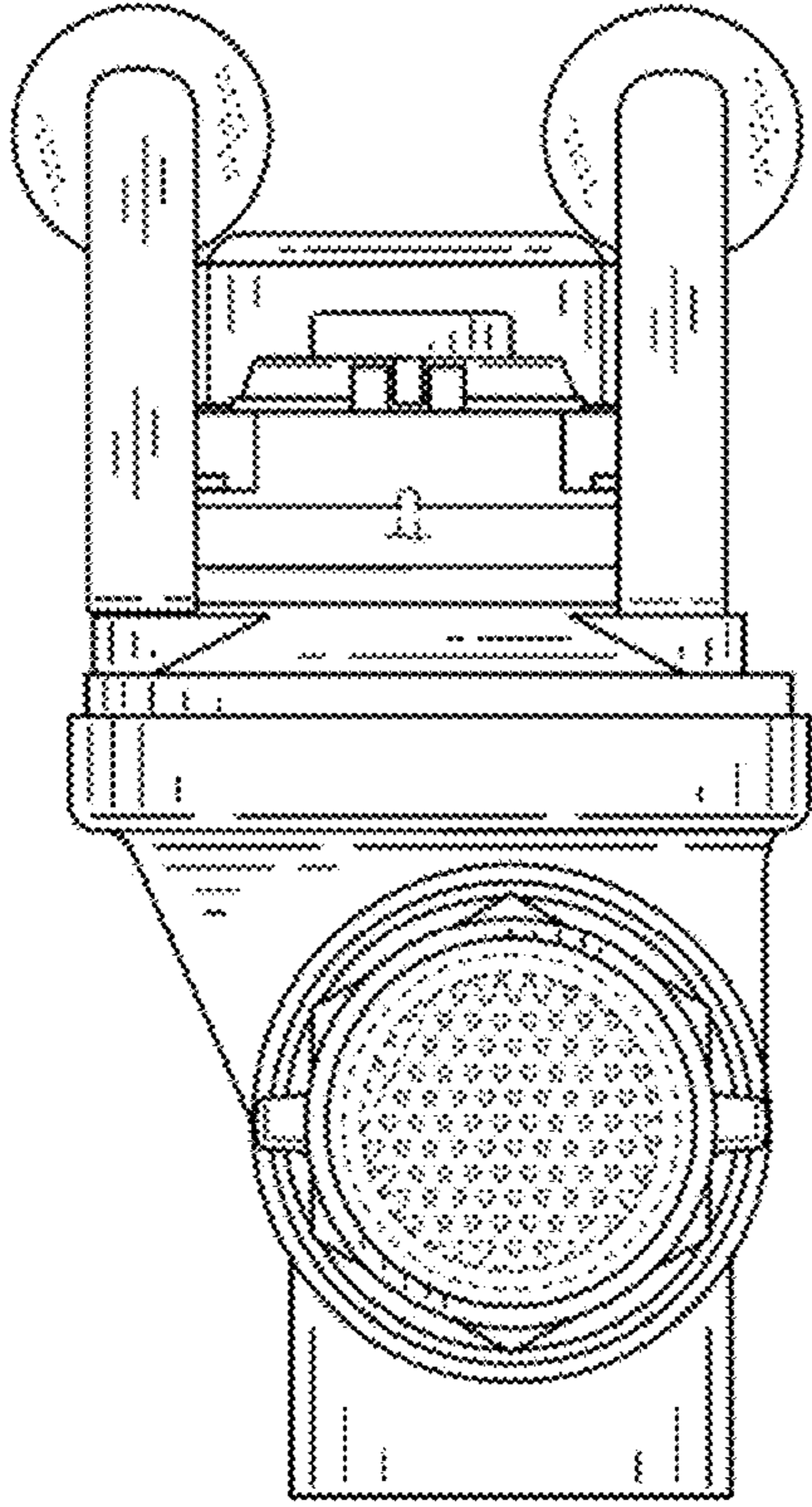


FIG. 6

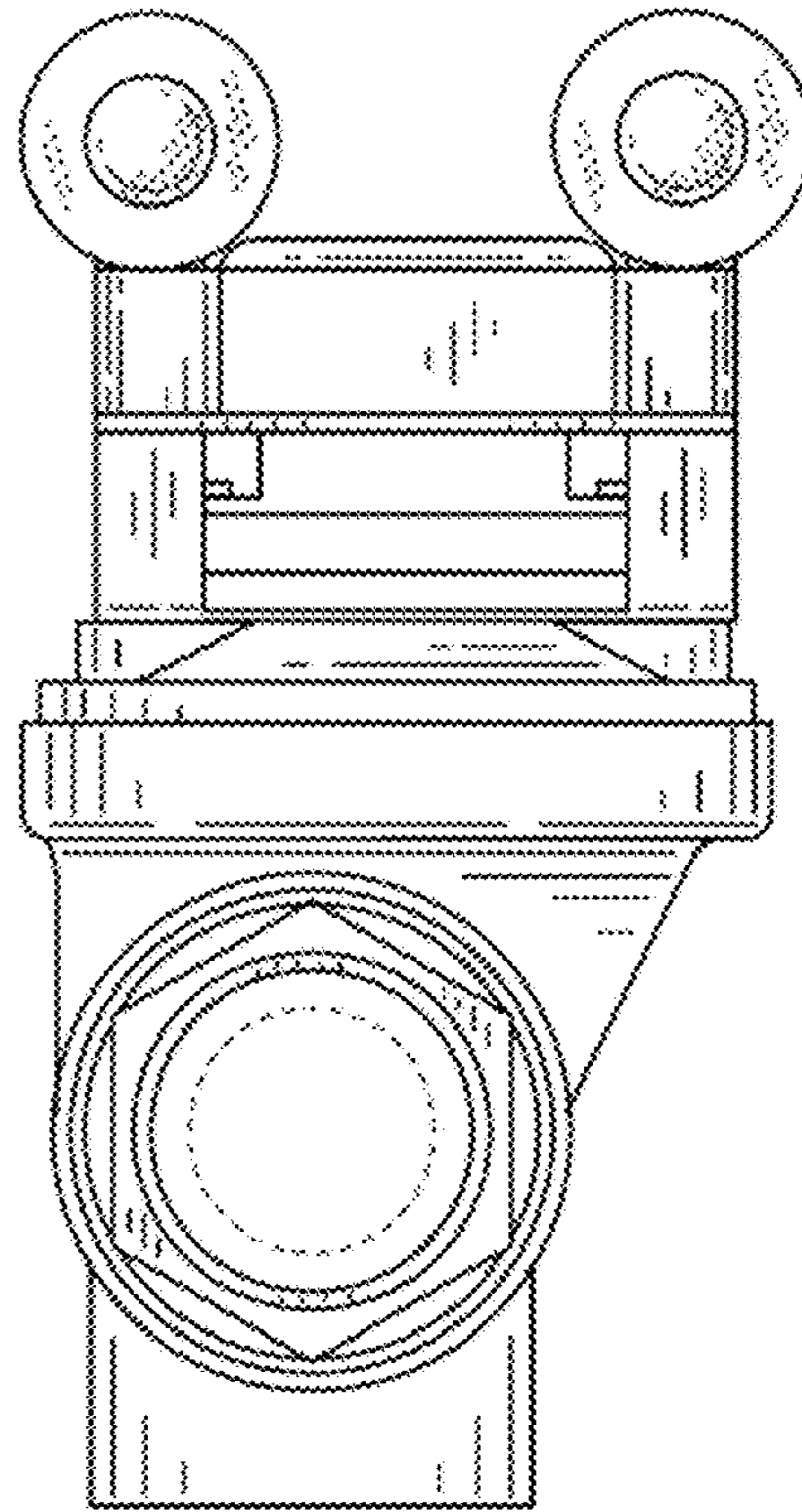


FIG. 7