



US00D883825S

(12) **United States Design Patent** (10) **Patent No.:** **US D883,825 S**
Gaucher et al. (45) **Date of Patent:** **** May 12, 2020**

(54) **PORTABLE TEST INSTRUMENT**

(71) Applicant: **EXFO Inc.**, Quebec (CA)

(72) Inventors: **Francois Gaucher**, Montreal (CA);
Olivier Patry, Montreal (CA)

(73) Assignee: **EXFO INC.**, Quebec (CA)

(**) Term: **15 Years**

(21) Appl. No.: **29/705,515**

(22) Filed: **Sep. 12, 2019**

Related U.S. Application Data

(63) Continuation of application No. 29/640,238, filed on Mar. 13, 2018.

(51) **LOC (12) Cl.** **10-04**

(52) **U.S. Cl.**
USPC **D10/80**

(58) **Field of Classification Search**

USPC D10/78
CPC H04N 7/17309; H04N 17/00; H04N 21/42676; H04N 21/44209; H04N 21/44245; H04N 21/6118; H04N 21/6168; H04N 21/6543; H04L 12/2697; H04L 43/50; H04L 29/12216; H04L 29/12273; H04L 29/12283; H04L 29/12301; H04L 61/2076; H04L 61/2015; H04L 61/2053; H04L 61/2061; H04Q 2213/1332; H04Q 2213/1316; H04Q 2213/13166; H04Q 2213/13003; H04M 3/308; H04M 3/244; H04M 1/24; H04M 3/306; H04M 3/32; H04M 3/46; H04M 3/26; H04M 3/2254; H04M 3/2263; H04M 1/72561; H04M 1/2535; H04W 16/18; H04W 16/20; H04W 24/00; H04W 24/02; H04W 24/04; H04W 24/06; H04W 24/08; H04W 24/10; H04W 84/18; H04W 84/20; H04W 84/22

See application file for complete search history.

(56) **References Cited**

U.S. PATENT DOCUMENTS

D637,507 S * 5/2011 Silverio D10/78
9,904,984 B1 * 2/2018 Quinn G06T 3/60

OTHER PUBLICATIONS

EXFO, FLS-600 Light Source, Spec Sheet, 2015, 3 pages.
EXFO, F0T-600 Optical Loss Test Set, Spec Sheet, 2014, 4 pages.
EXFO, FVA-600 Variable Attenuator, Spec Sheet, 2012, 2 pages.
EXFO, MaxTester 605 Straight-to-the-Point Copper Testing, 2016, 6 pages.
Netscout, Validate Network Connectivity in Less Than 10 Seconds, Datasheet, 2018, 6 pages.

* cited by examiner

Primary Examiner — Antoine Duval Davis

(74) *Attorney, Agent, or Firm* — Robic, LLP; Dominique Nolet

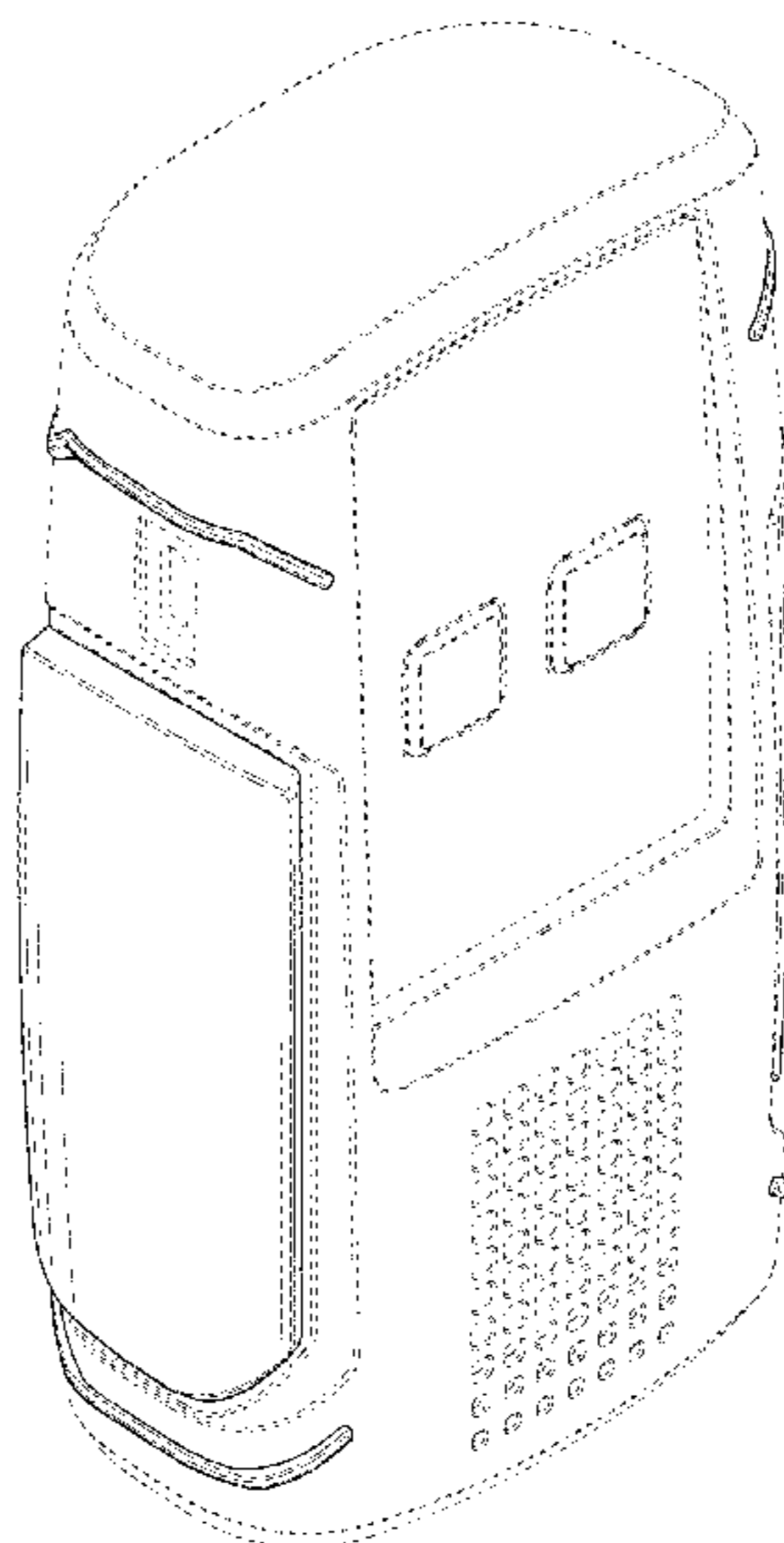
(57) **CLAIM**

The ornamental design for a portable test instrument, as shown and described.

DESCRIPTION

FIG. 1 is a perspective view of a portable test instrument showing the new design;
FIG. 2 is a front elevation view thereof;
FIG. 3 is a rear elevation view thereof;
FIG. 4 is a left-side elevation view thereof;
FIG. 5 is a right-side elevation view thereof;
FIG. 6 is a top plan view thereof; and,
FIG. 7 is a bottom plan view thereof.
The portions shown in broken lines depict environmental structure only and do not form part of the claimed design.

1 Claim, 6 Drawing Sheets



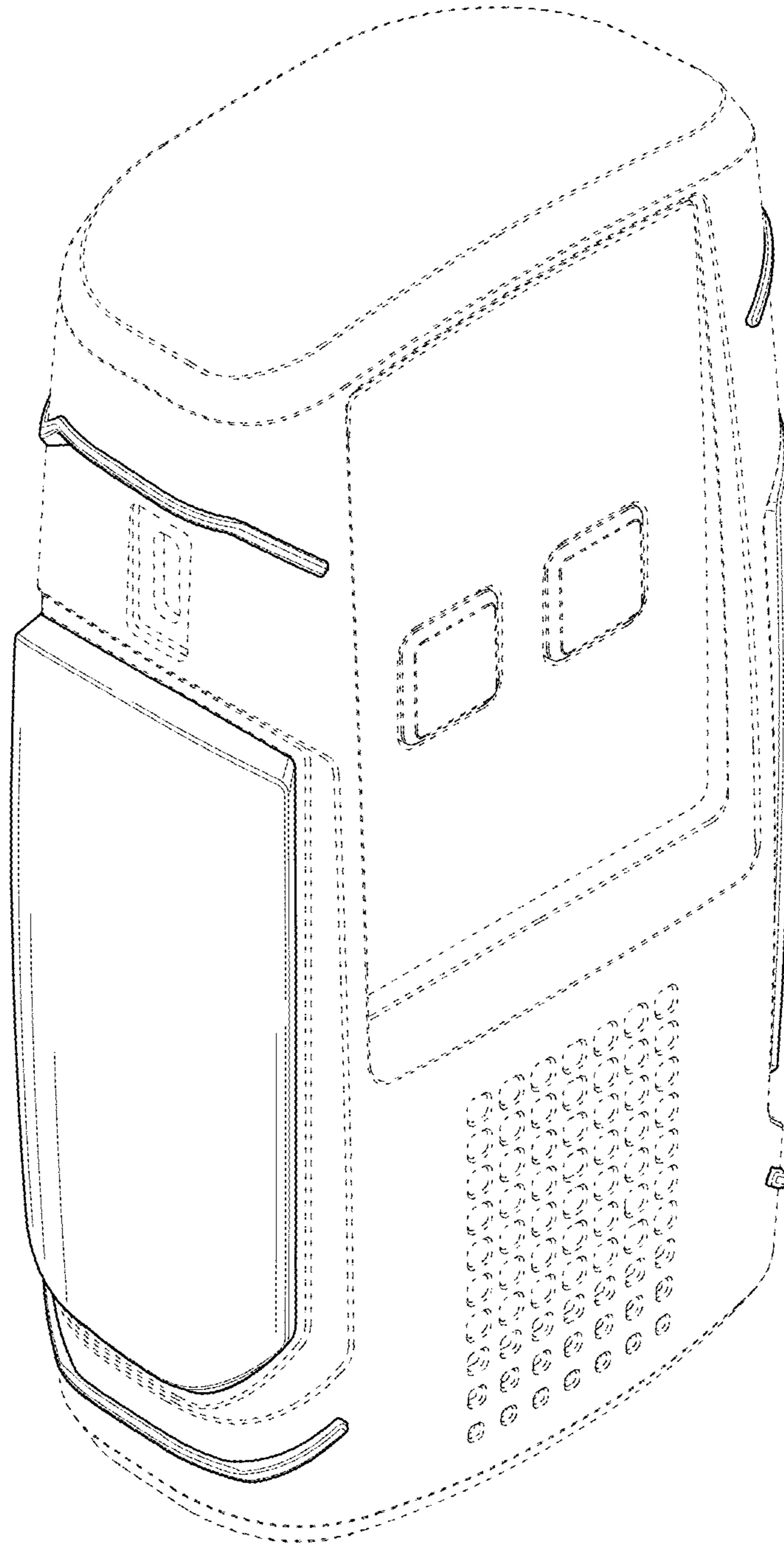


FIG. 1

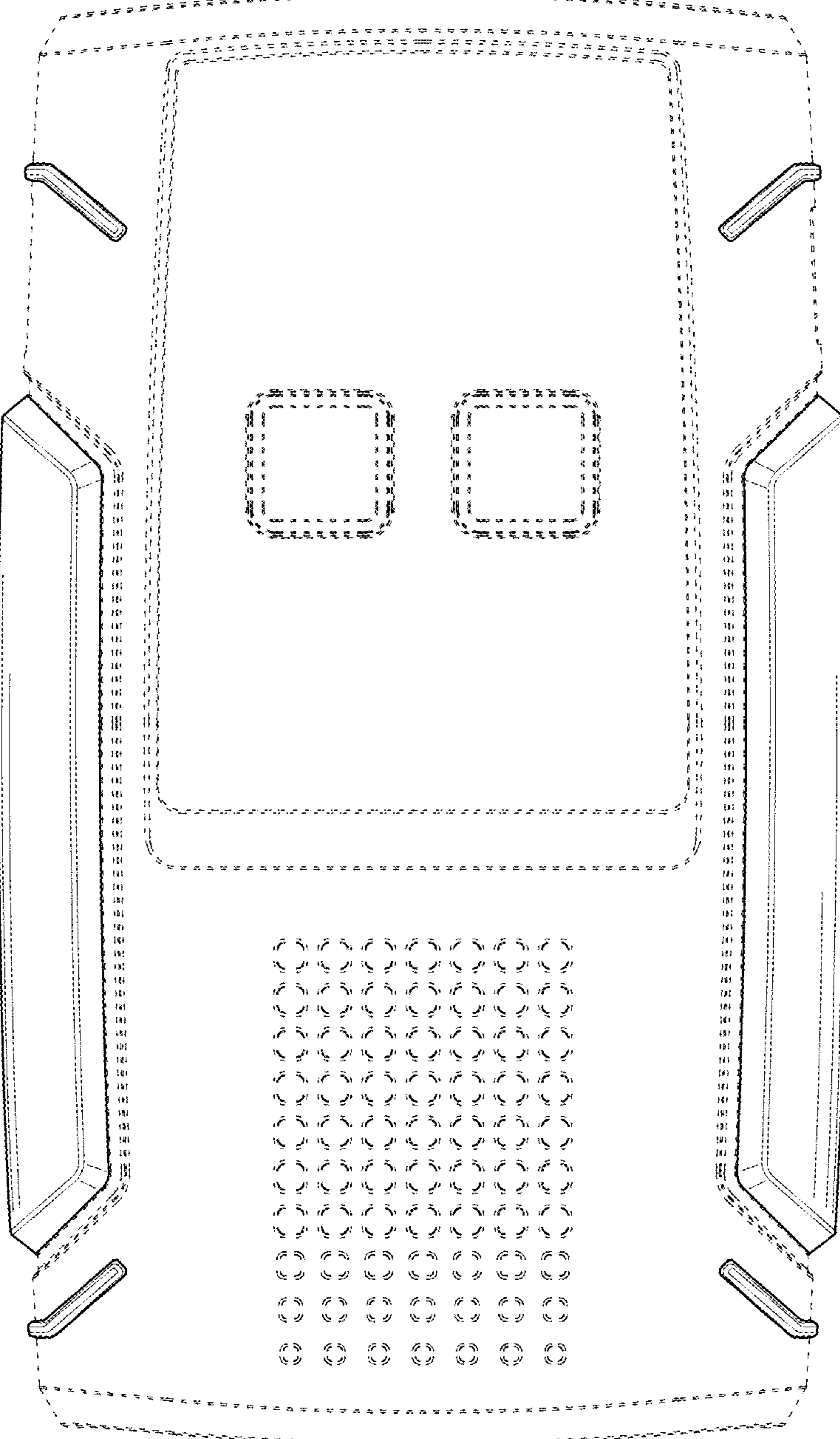


FIG. 2

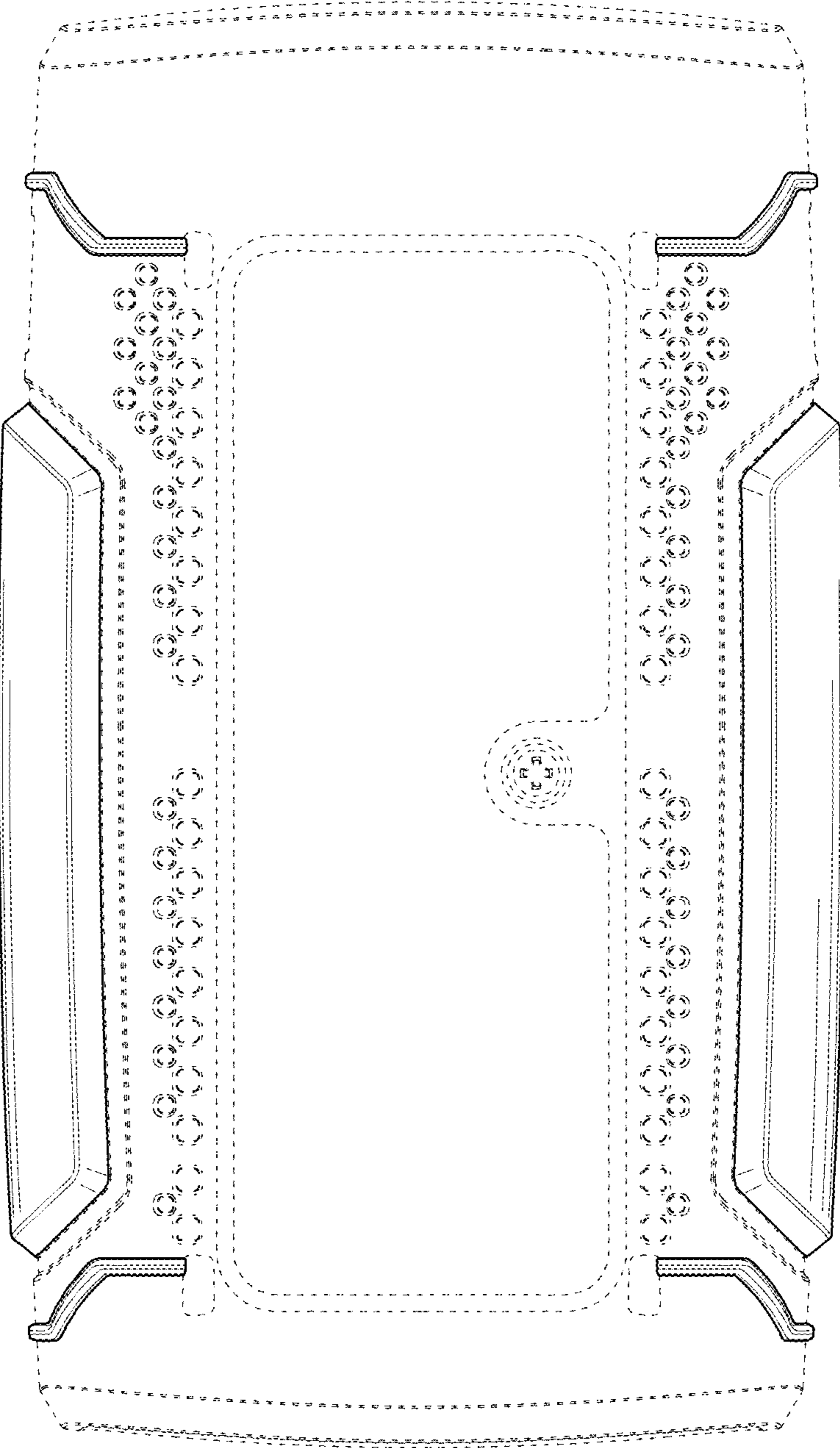


FIG. 3

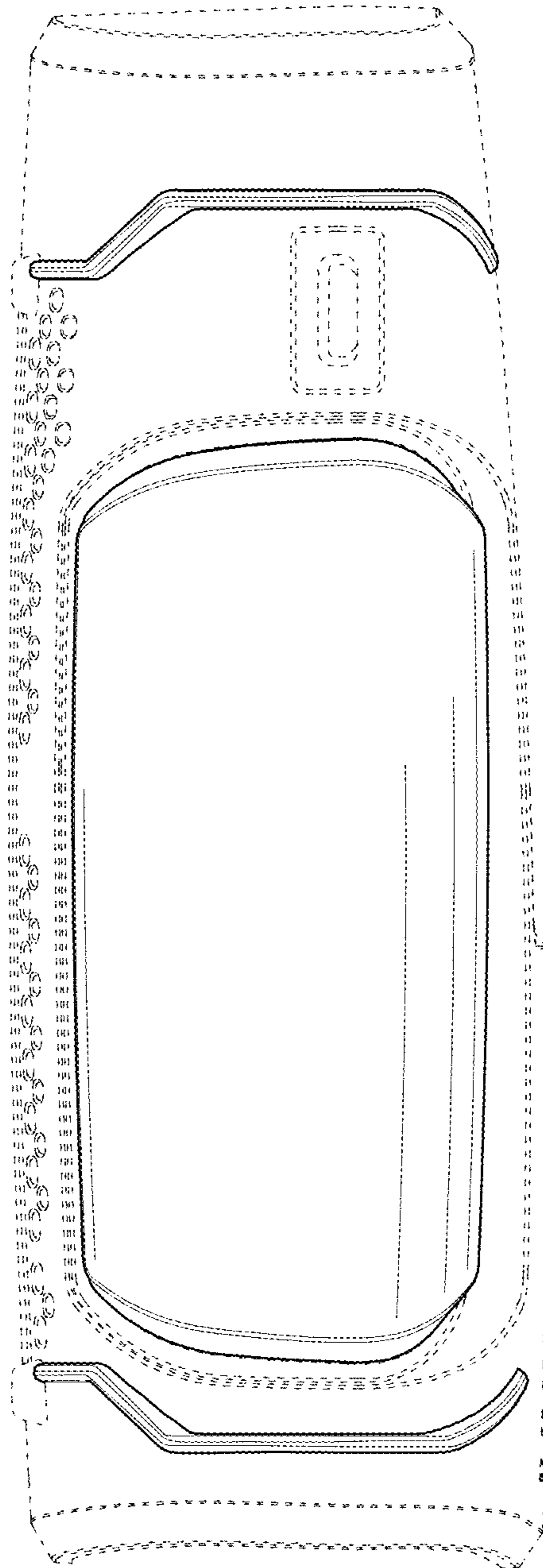


FIG. 4

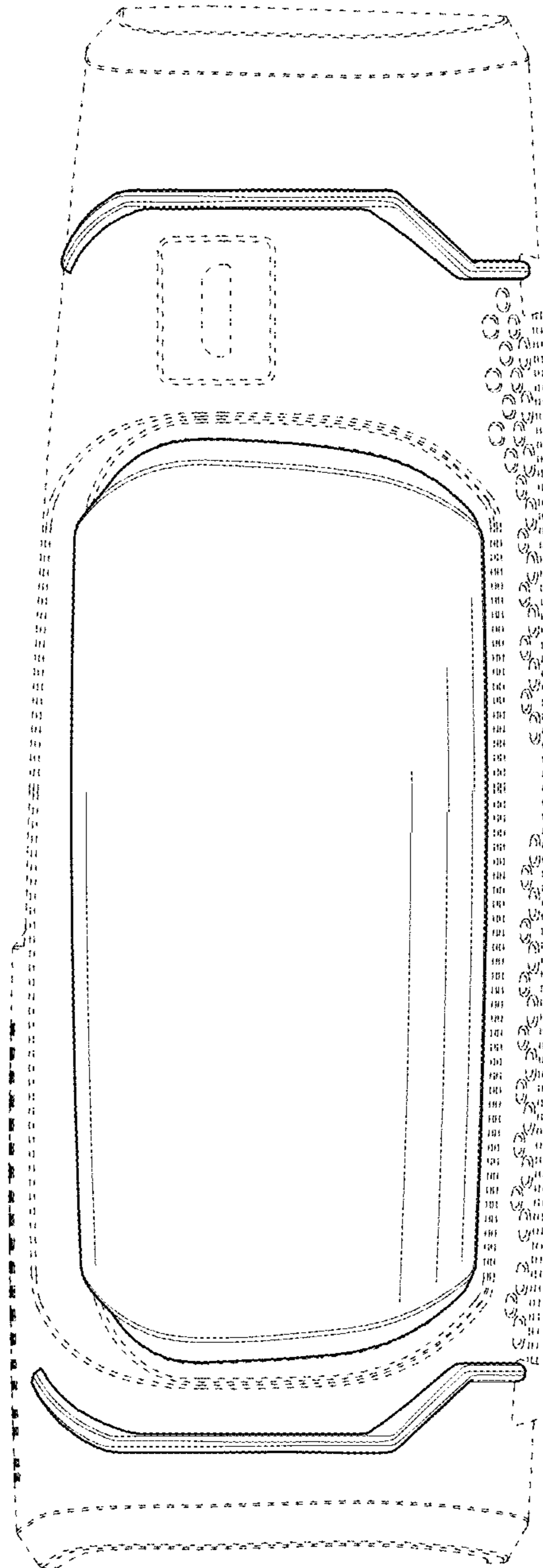


FIG. 5

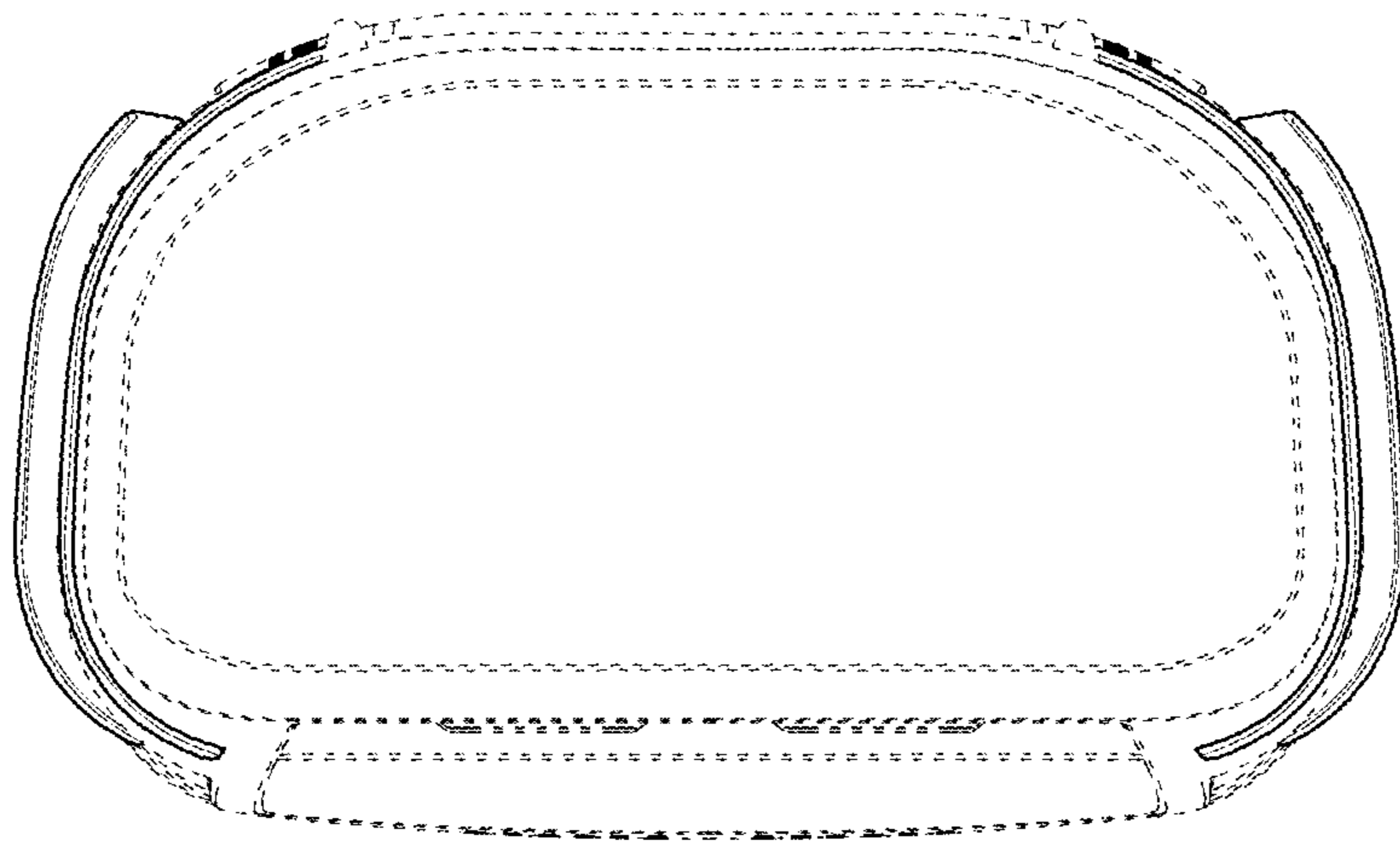


FIG. 6

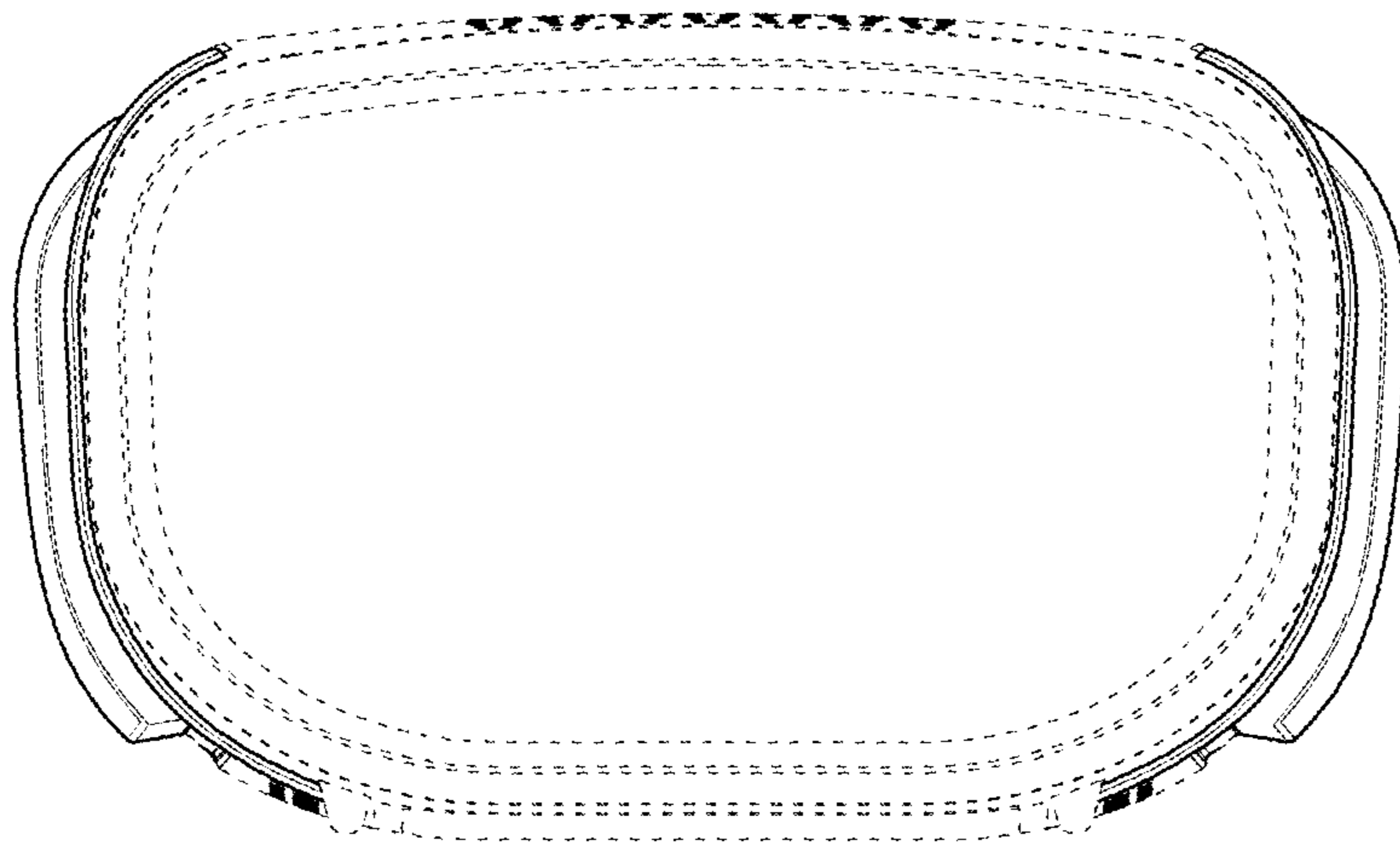


FIG. 7