



US00D883824S

(12) **United States Design Patent**
Lee et al.

(10) **Patent No.:** **US D883,824 S**
(45) **Date of Patent:** **** May 12, 2020**

(54) **TAPE MEASURE**

(71) Applicant: **INCHEON SURVEY INSTRUMENT CO., LTD.**, Incheon (KR)

(72) Inventors: **Dae Hyun Lee**, Seoul (KR); **Yun Kyu Lee**, Seoul (KR)

(73) Assignee: **Incheon Survey Instrument Co., Ltd.**, Incheon (KR)

(**) Term: **15 Years**

(21) Appl. No.: **29/669,743**

(22) Filed: **Nov. 10, 2018**

(30) **Foreign Application Priority Data**

Jul. 23, 2018 (KR) 30-2018-0033962

(51) **LOC (12) Cl.** **10-04**

(52) **U.S. Cl.**
USPC **D10/72**

(58) **Field of Classification Search**
USPC D10/72

CPC G01B 3/10; G01B 3/1002; G01B 3/1041;
G01B 2003/1043; G01B 2003/1046;
G01B 2003/1048; G01B 2003/1051;
G01B 2003/1053; G01B 2003/1097;
G01B 3/1082; G01B 3/1056; G01B
3/563; G01B 3/566; G01B 3/1071; G01B
2003/1089; G01B 2003/1092; G01B
2003/1079; G01B 2003/1041; G01B
2003/1084; G07B 3/10

See application file for complete search history.

(56) **References Cited**

U.S. PATENT DOCUMENTS

D803,711 S * 11/2017 Jost D10/72
D859,188 S * 9/2019 Anderson D10/72

* cited by examiner

Primary Examiner — Antoine Duval Davis

(74) *Attorney, Agent, or Firm* — Quarles & Brady LLP

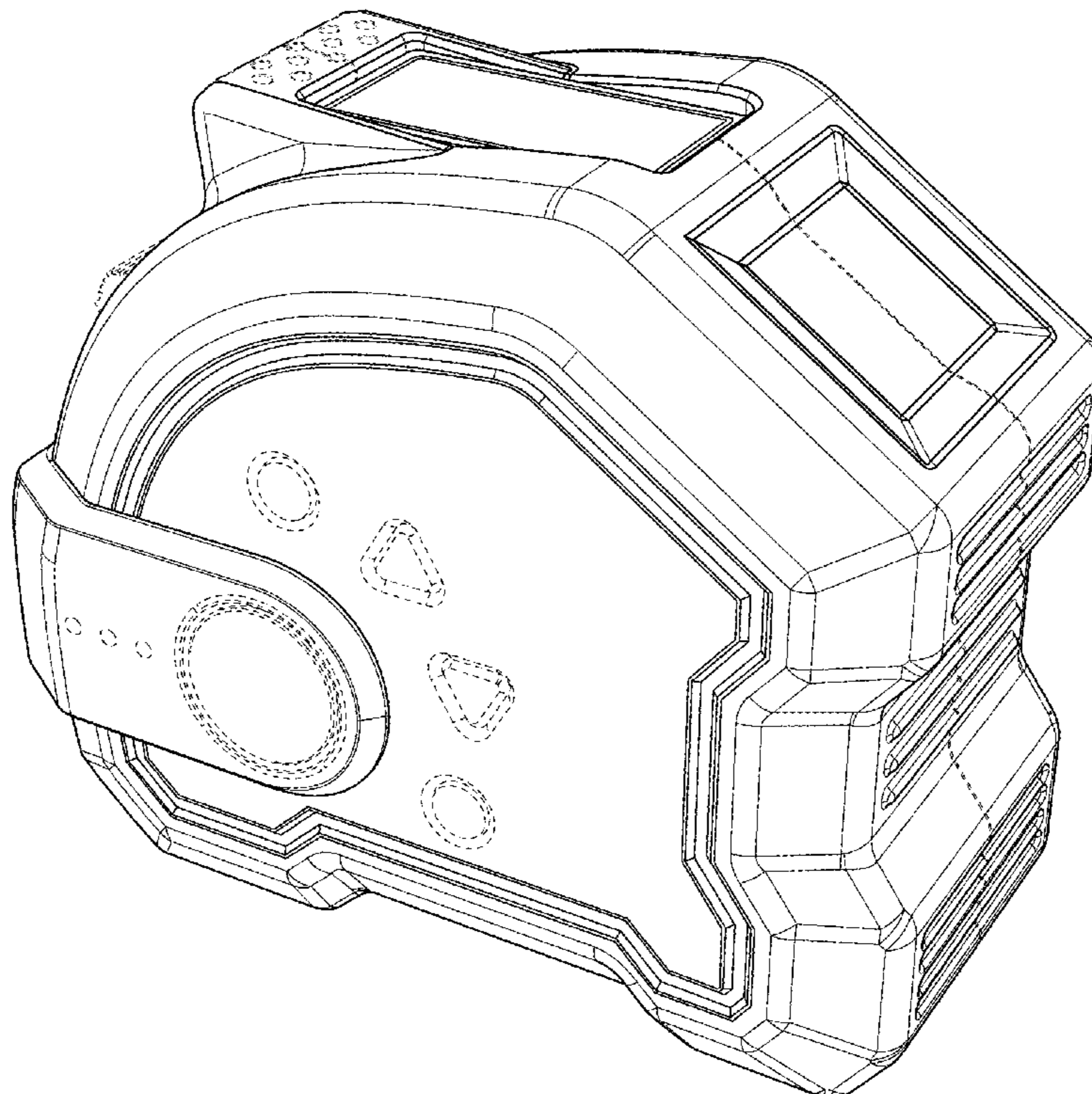
(57) **CLAIM**

We claim the ornamental design for a tape measure, as shown and described.

DESCRIPTION

FIG. 1 is a perspective view of a front, top, and right side of an ornamental design for a tape measure;
FIG. 2 is a front elevational view of the tape measure of FIG. 1;
FIG. 3 is a rear elevational view of the tape measure of FIG. 1;
FIG. 4 is a right side elevational view of the tape measure of FIG. 1;
FIG. 5 is a left side elevational view of the tape measure of FIG. 1;
FIG. 6 is a top plan view of the tape measure of FIG. 1; and,
FIG. 7 is a bottom plan view of the tape measure of FIG. 1.
The broken lines are included for the purpose of illustrating portions that form no part of the claimed design.

1 Claim, 7 Drawing Sheets



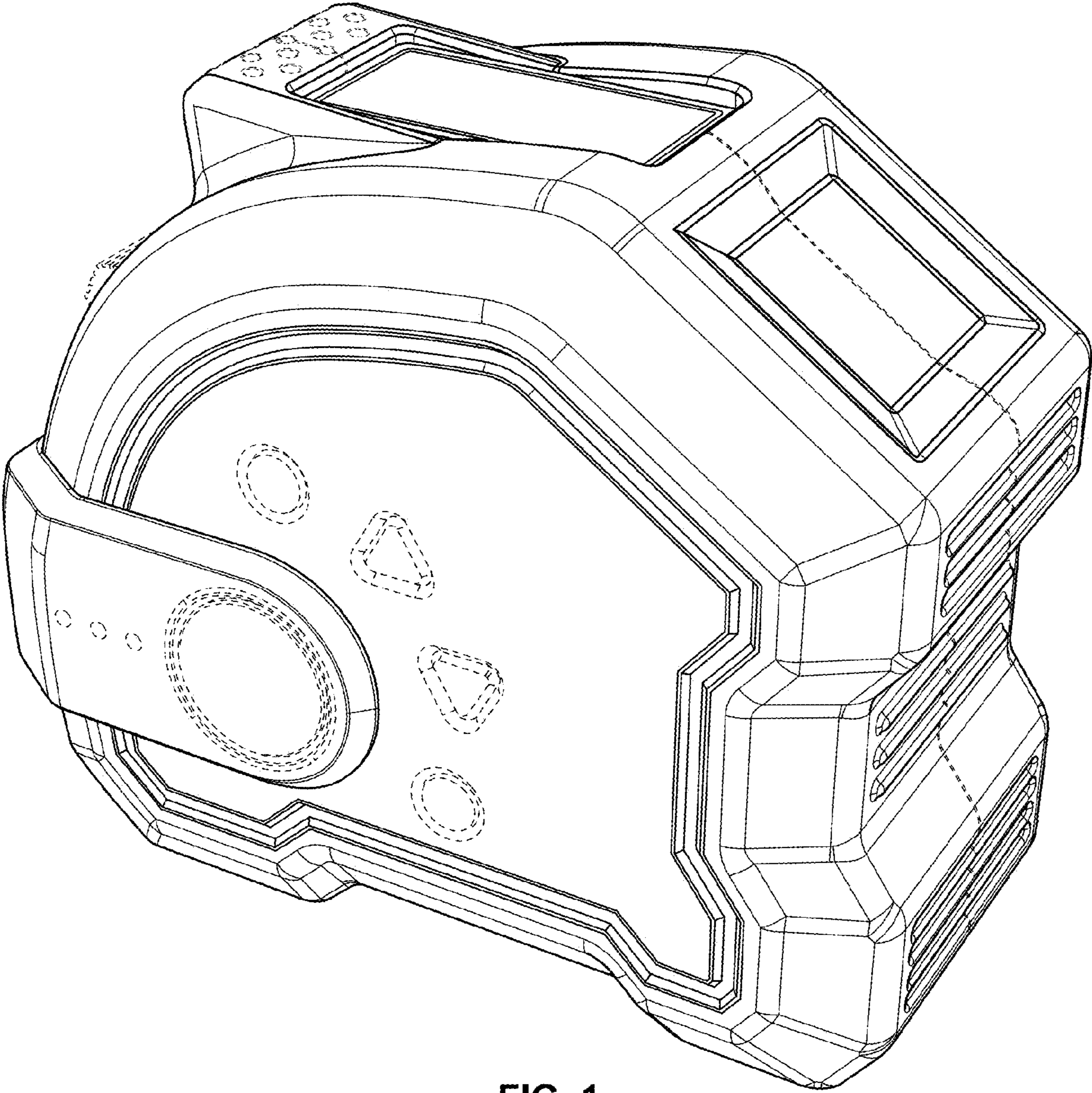


FIG. 1

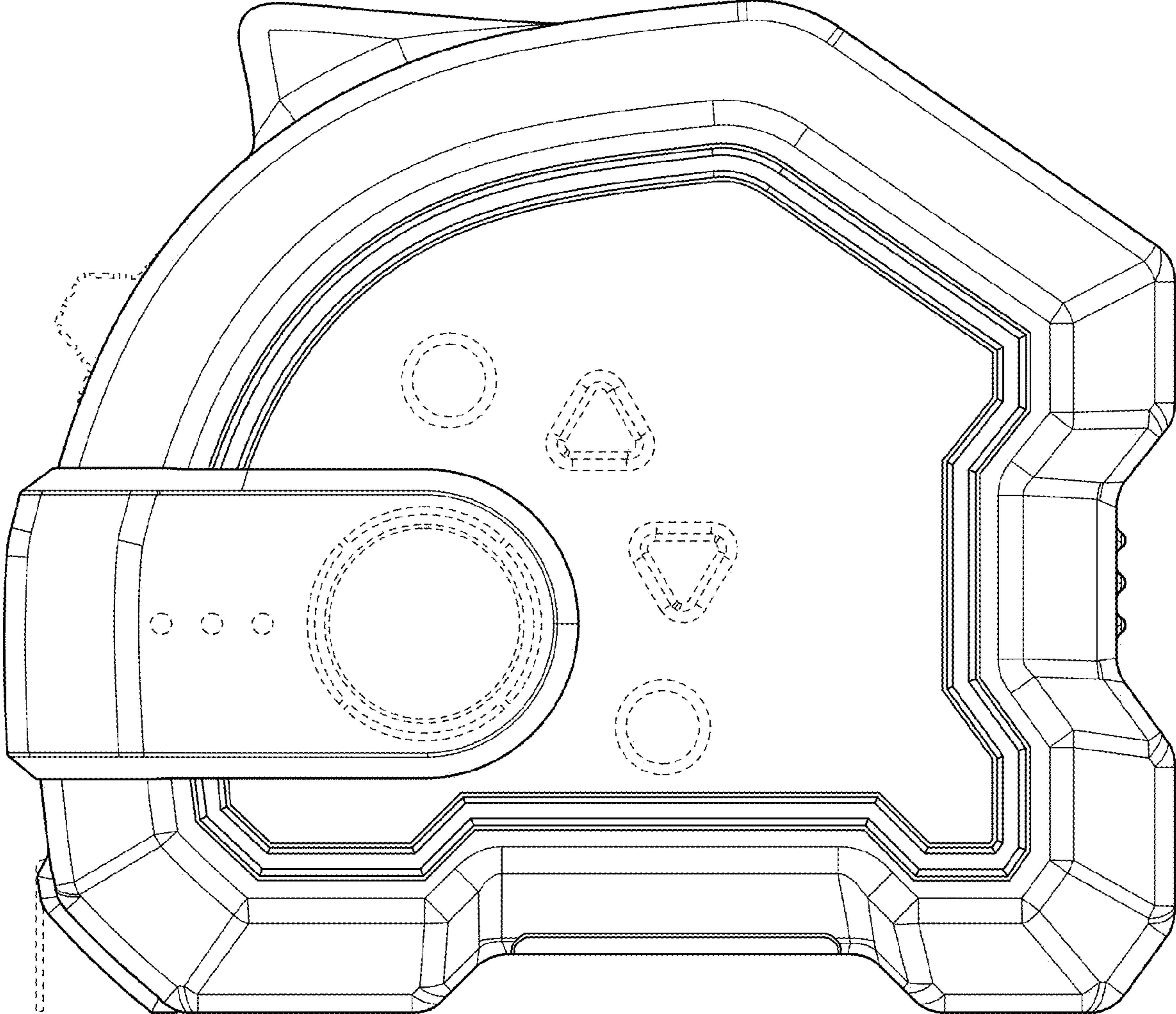


FIG. 2

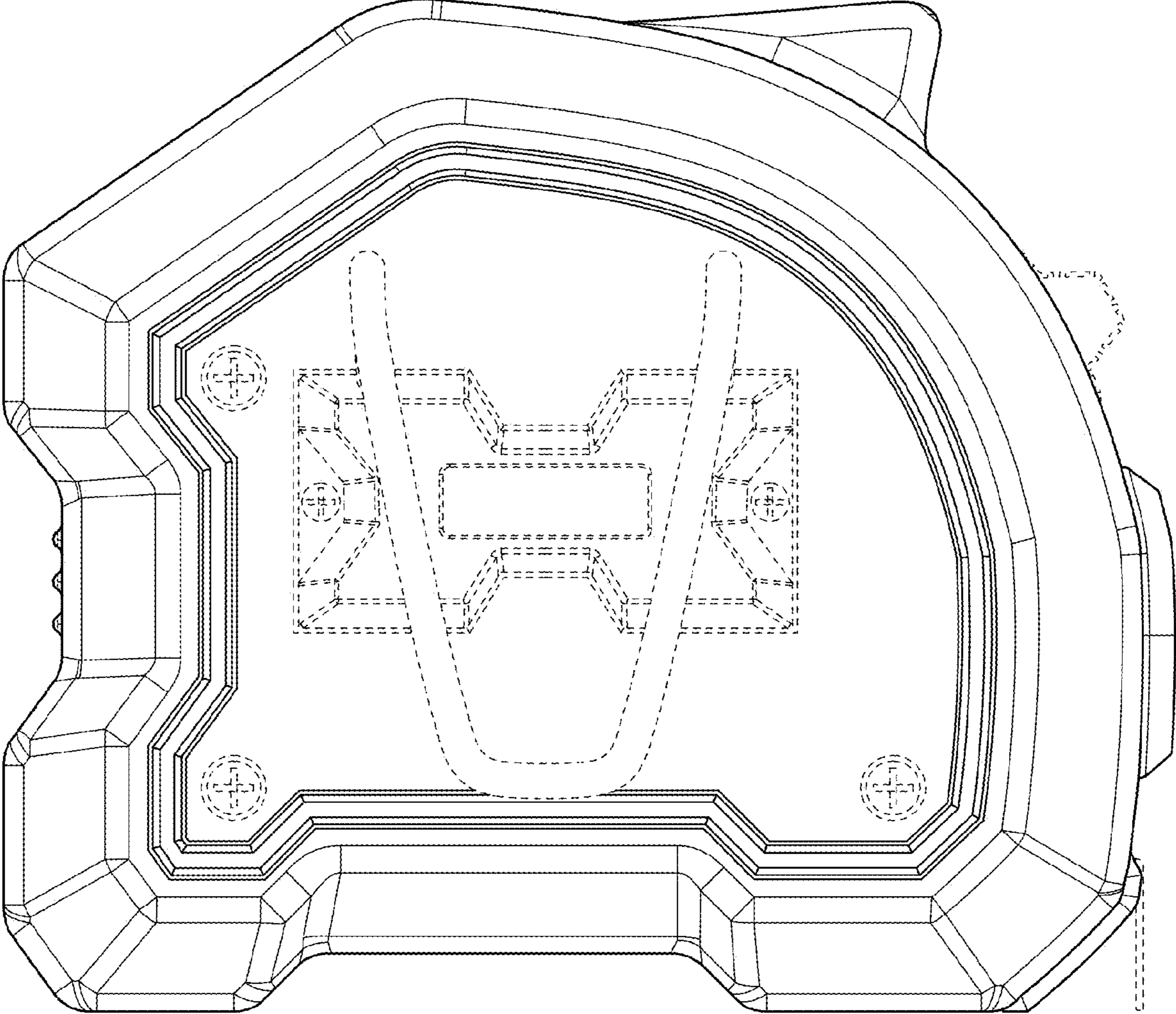


FIG. 3

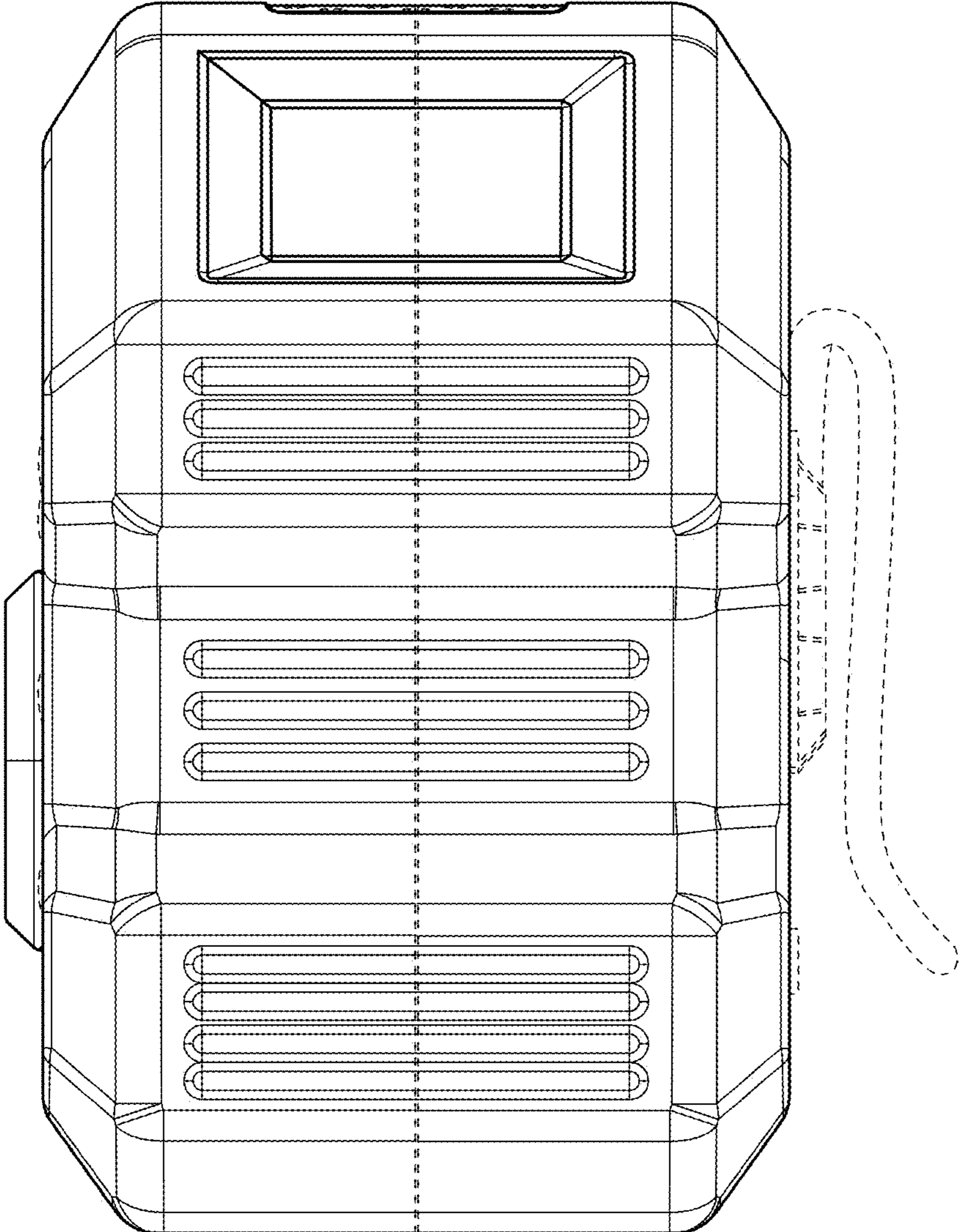


FIG. 4

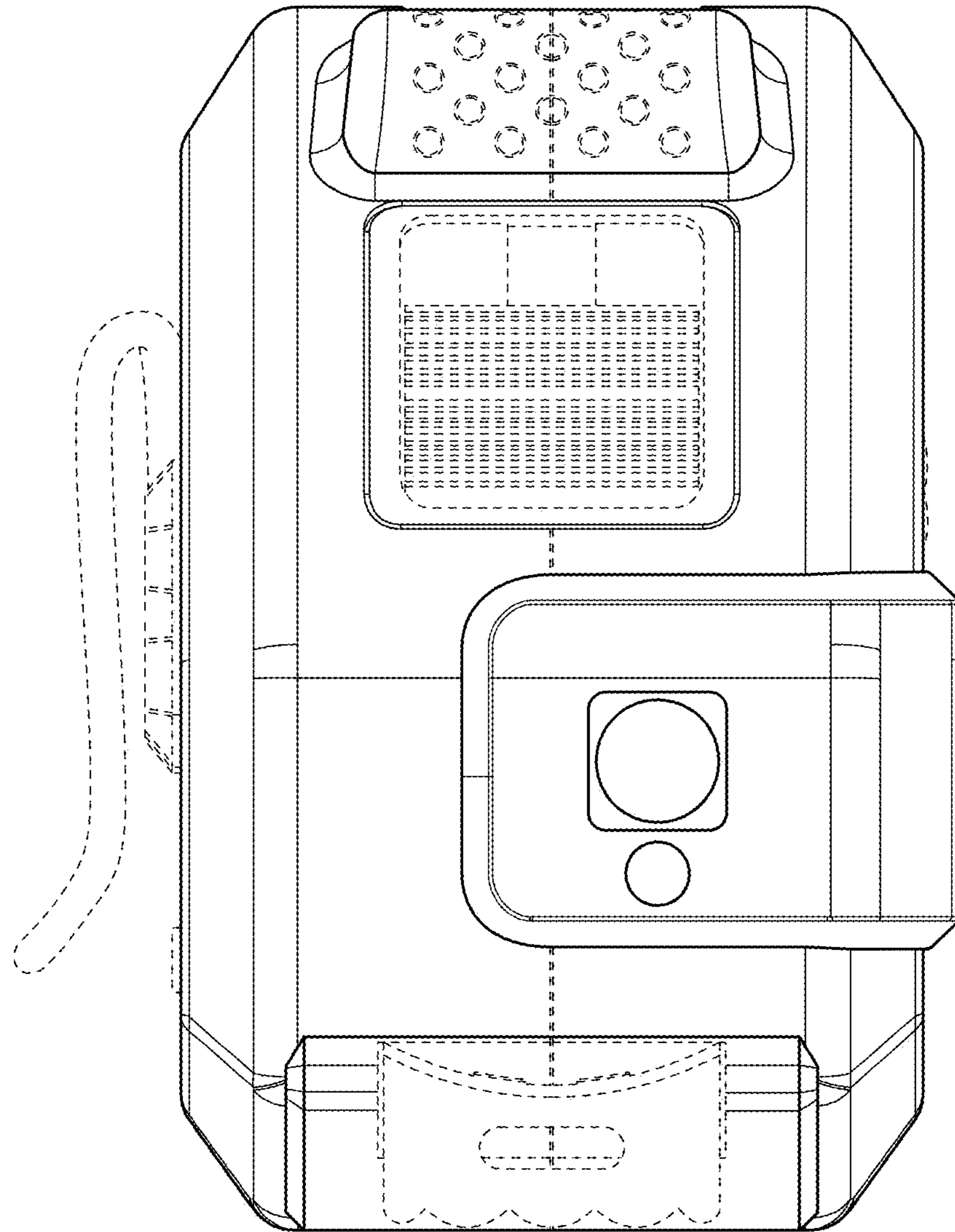


FIG. 5

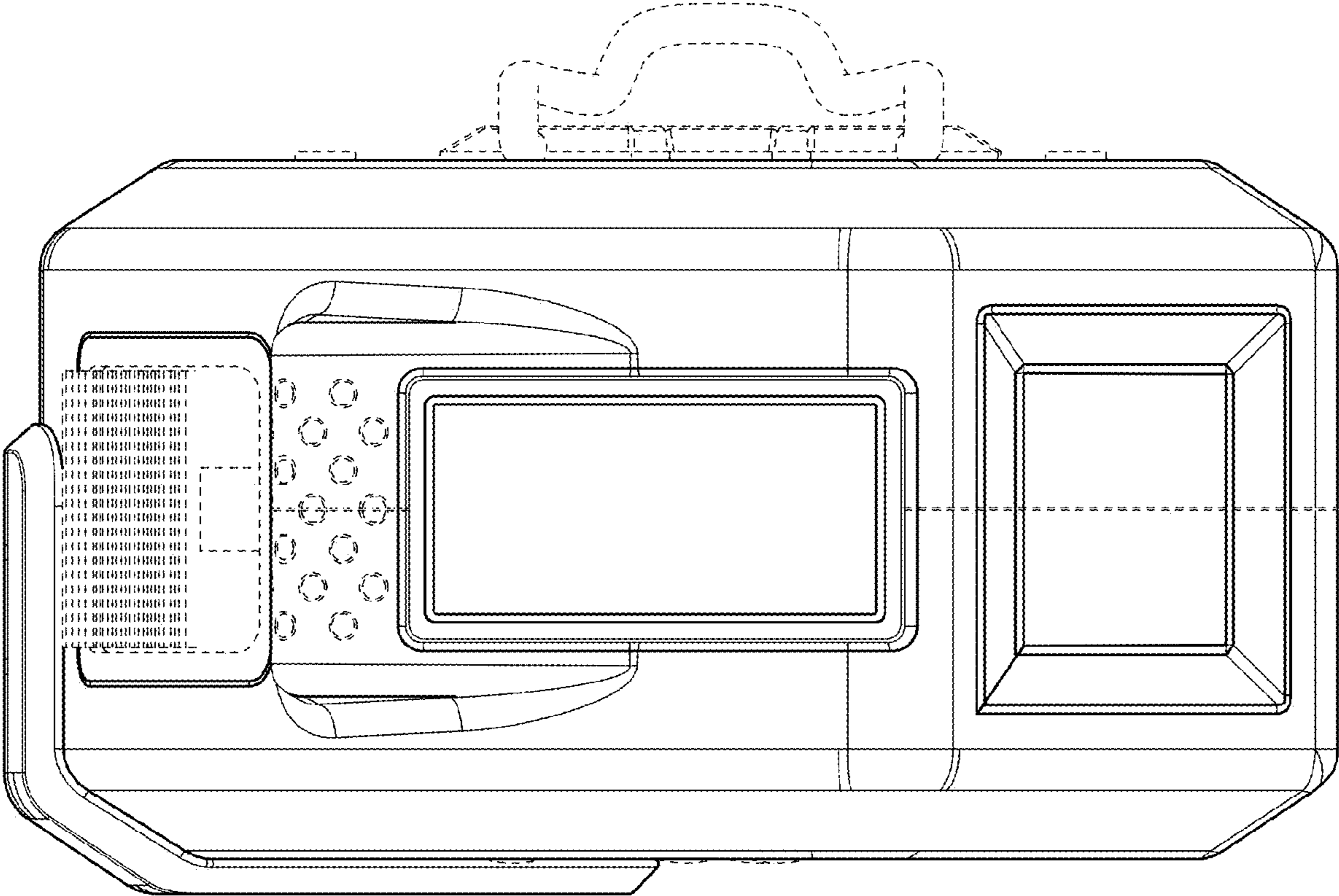


FIG. 6

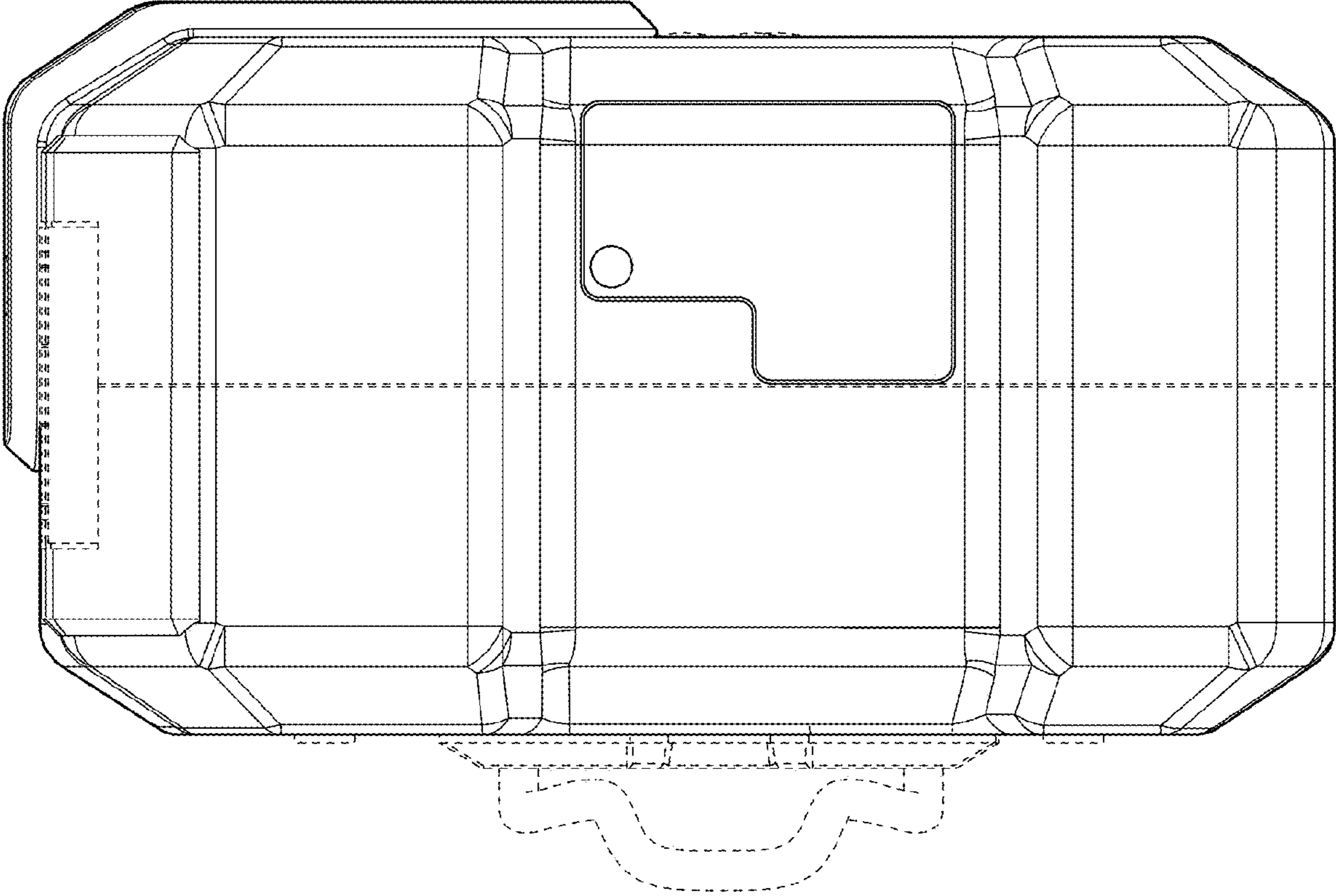


FIG. 7