



US00D883822S

(12) **United States Design Patent**  
**Kagaya**

(10) **Patent No.:** **US D883,822 S**  
(45) **Date of Patent:** **\*\* May 12, 2020**

(54) **MOBILE MAPPING DEVICE MOUNTED ON VEHICLE**

(71) Applicant: **Mitsubishi Electric Corporation,**  
Tokyo (JP)

(72) Inventor: **Atsuhiko Kagaya,** Tokyo (JP)

(73) Assignee: **Mitsubishi Electric Corporation,**  
Tokyo (JP)

(\*\*) Term: **15 Years**

(21) Appl. No.: **29/674,641**

(22) Filed: **Dec. 21, 2018**

(30) **Foreign Application Priority Data**

Jun. 29, 2018 (JP) ..... 2018-014435

(51) **LOC (12) Cl.** ..... **10-04**

(52) **U.S. Cl.**  
USPC ..... **D10/65; D10/70**

(58) **Field of Classification Search**

USPC ..... D10/65, 70

CPC ..... G08G 1/00; G08G 1/096883; G08G  
1/096872; G08G 1/096775; G08G

1/0969; G06T 1/00; Y02T 10/7275; Y02T

90/16; G01C 21/16; G01C 21/3688;

G01C 21/30; G01C 21/3664; G01C

21/26; G01C 17/00; G01C

21/00–21/3697; G01C 22/00–22/025;

G01C 23/00–23/005; G01V 8/20; G01J

5/02; G01J 5/023; G01J 5/24; G01J 5/10;

G01J 5/20; G01J 5/0235; G01J 5/08;

G01J 5/0853; G01J 5/33; G01J 5/34;

G01J 5/0022; G01J 5/22; G01J 5/0295;

G01J 5/12; G01J 2005/068; G01J

2005/345; G01N 21/3504; G01N 21/35;

G01S 3/043; G01S 15/04; G01S 5/025;

G01S 15/88; Y10S 250/01; H01L 37/00;

H01L 37/02; H04N 5/33; G01P 3/50;

G01P 1/00–1/26; G01P 15/00–15/18;

G06F 3/0482; G06F 2203/04801; G06F

3/00–3/027; G06F 19/3481; F21S 8/033;  
F21V 17/02; F21V 23/0442; F21V 21/30;  
F21W 2131/10; G08B 13/00–13/26;  
G08B 29/00–29/28; G08B 13/19; G08B  
13/193; G08B 13/1645; G08B 17/12;  
B60W 30/12; E01C 19/004; E01C  
19/006; E01C 19/008; G01B 2210/16;  
G01B 2210/24; G01B 2210/28; G01B  
21/16

See application file for complete search history.

(56) **References Cited**

U.S. PATENT DOCUMENTS

D851,508 S \* 6/2019 D'Eramo ..... D10/70

\* cited by examiner

*Primary Examiner* — Antoine Duval Davis

(74) *Attorney, Agent, or Firm* — Studebaker & Brackett  
PC

(57) **CLAIM**

The ornamental design for a mobile mapping device  
mounted on vehicle, as shown and described.

**DESCRIPTION**

FIG. 1 is a front, top, and right perspective view of a mobile  
mapping device mounted on vehicle showing my new  
design;

FIG. 2 is a front view thereof;

FIG. 3 is a rear view thereof;

FIG. 4 is a left side view thereof;

FIG. 5 is a right side view thereof;

FIG. 6 is a top view thereof; and,

FIG. 7 is a bottom view thereof.

The parts shown in the broken lines do not form part of the  
claimed designs. Dotted and dashed lines represent bound-  
aries between the portions intended for registration as a  
partial design and the other portions.

**1 Claim, 7 Drawing Sheets**

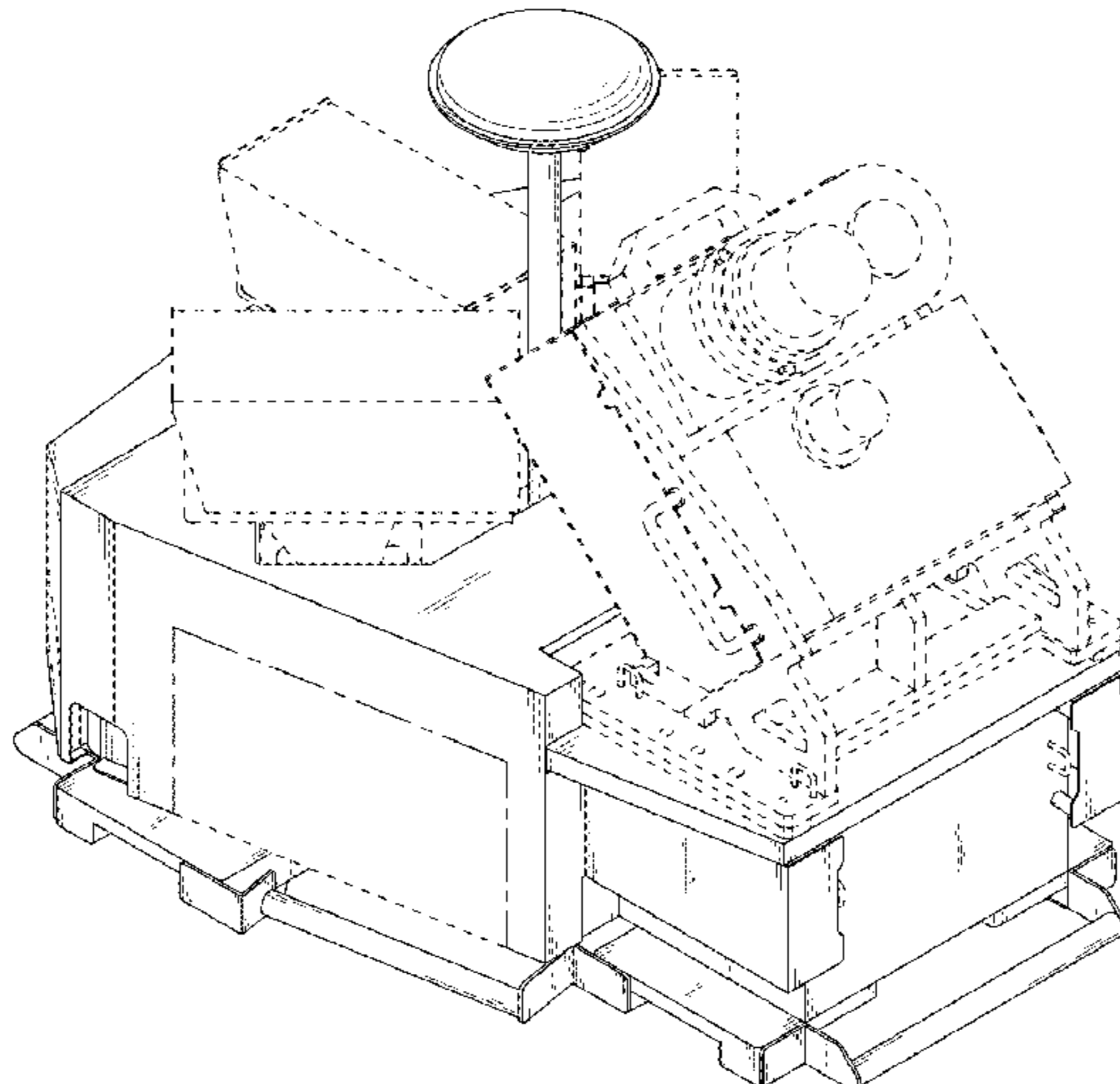


Fig.1

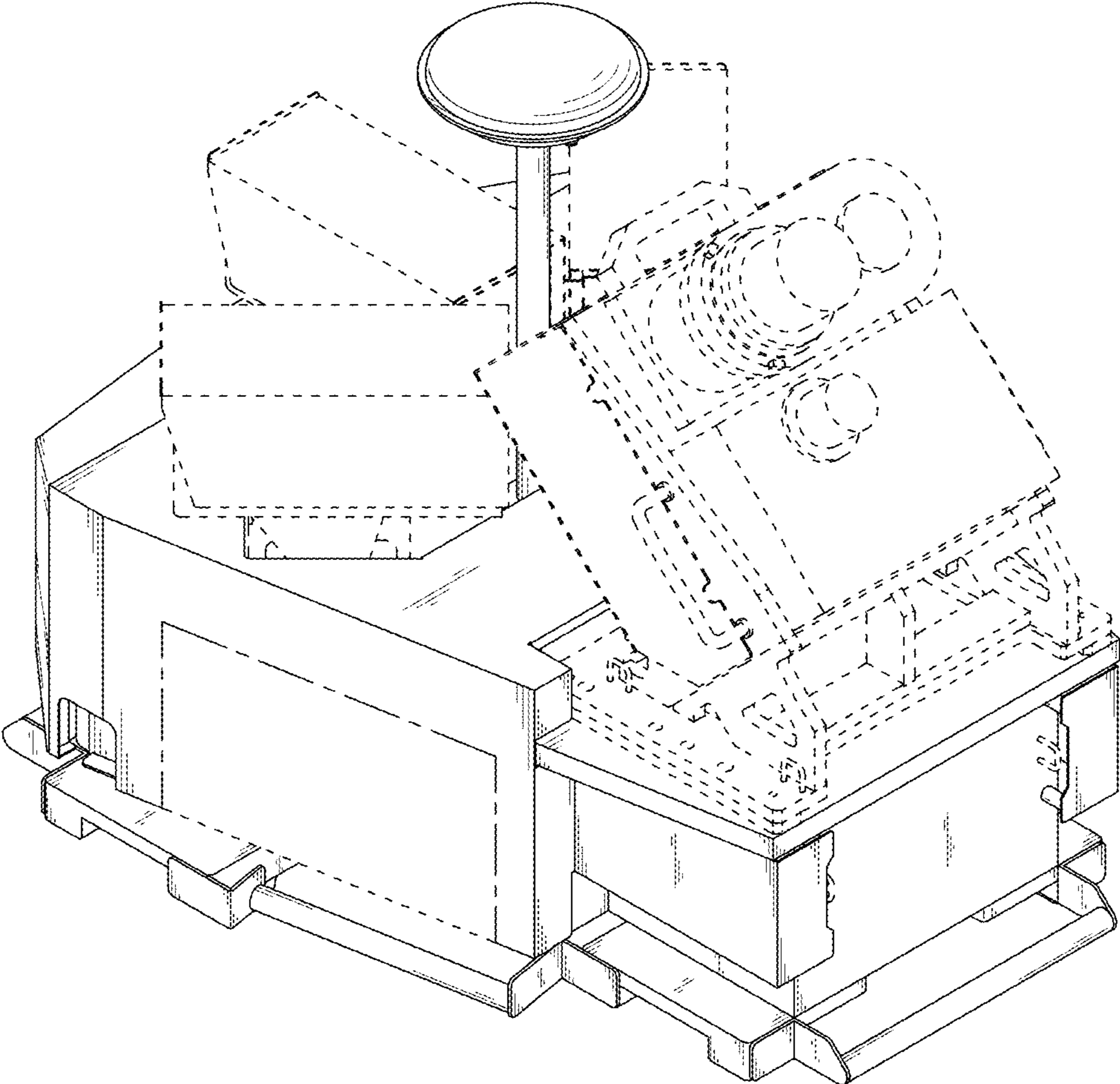


Fig.2

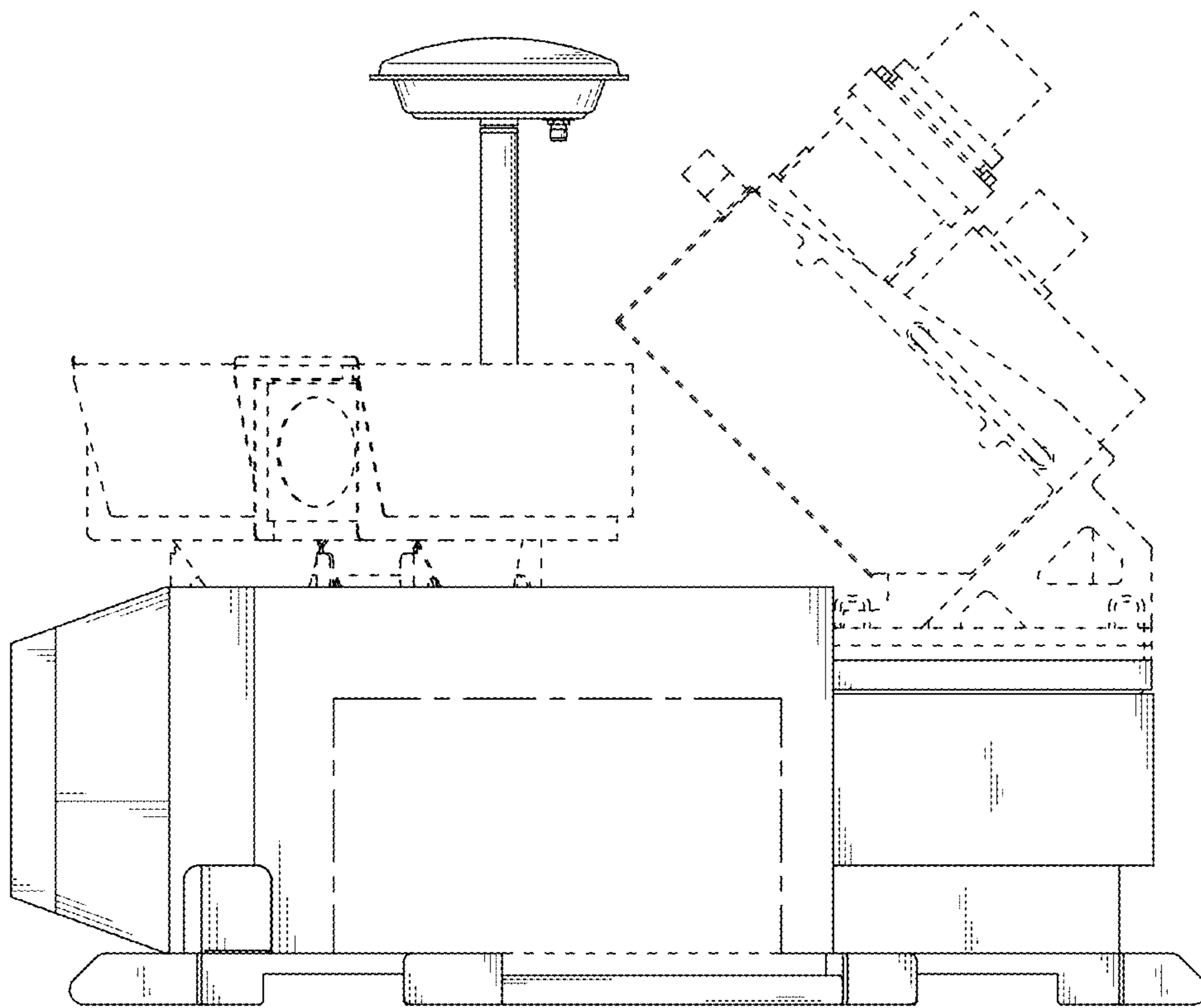


Fig.3

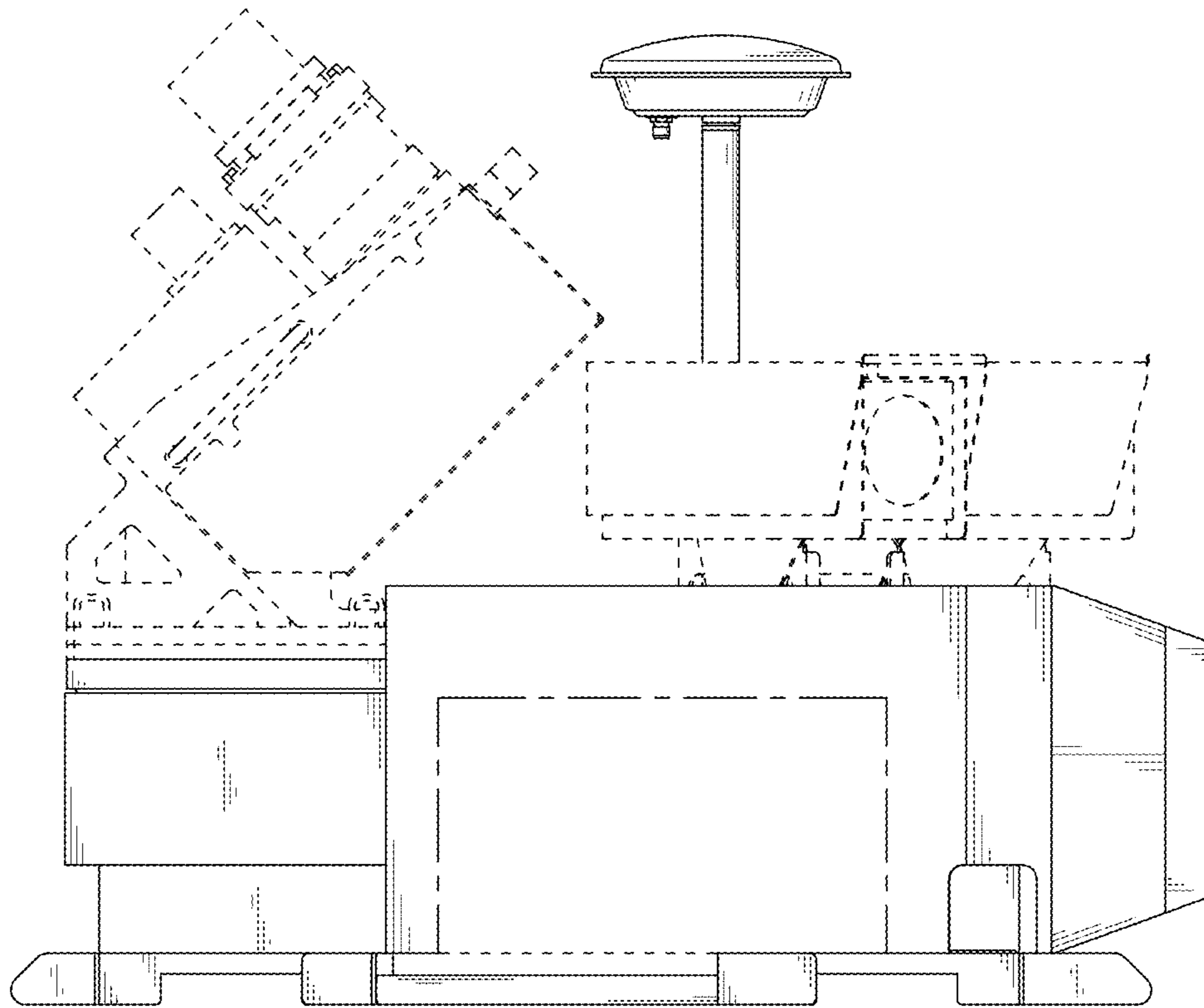


Fig.4

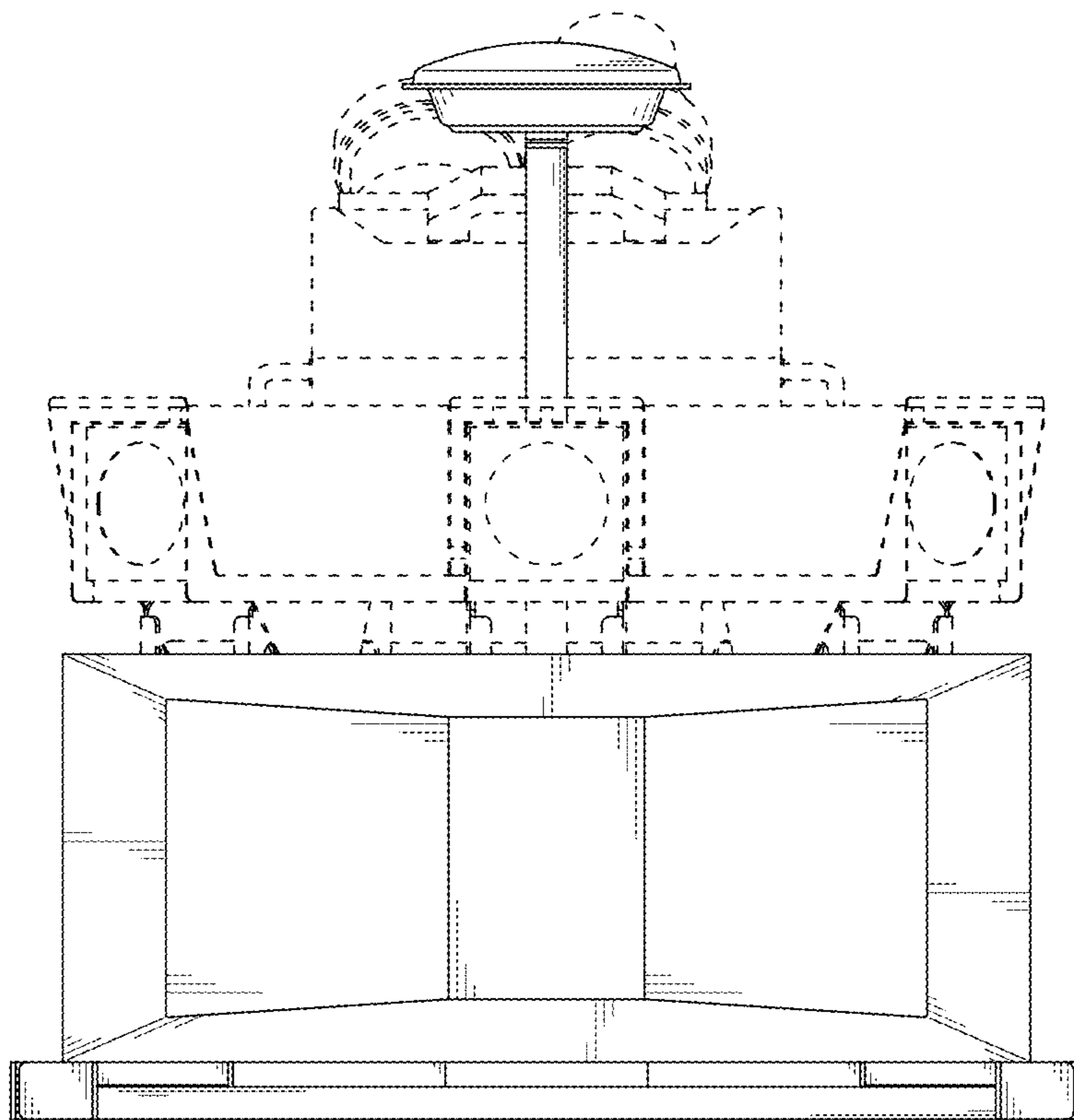


Fig.5

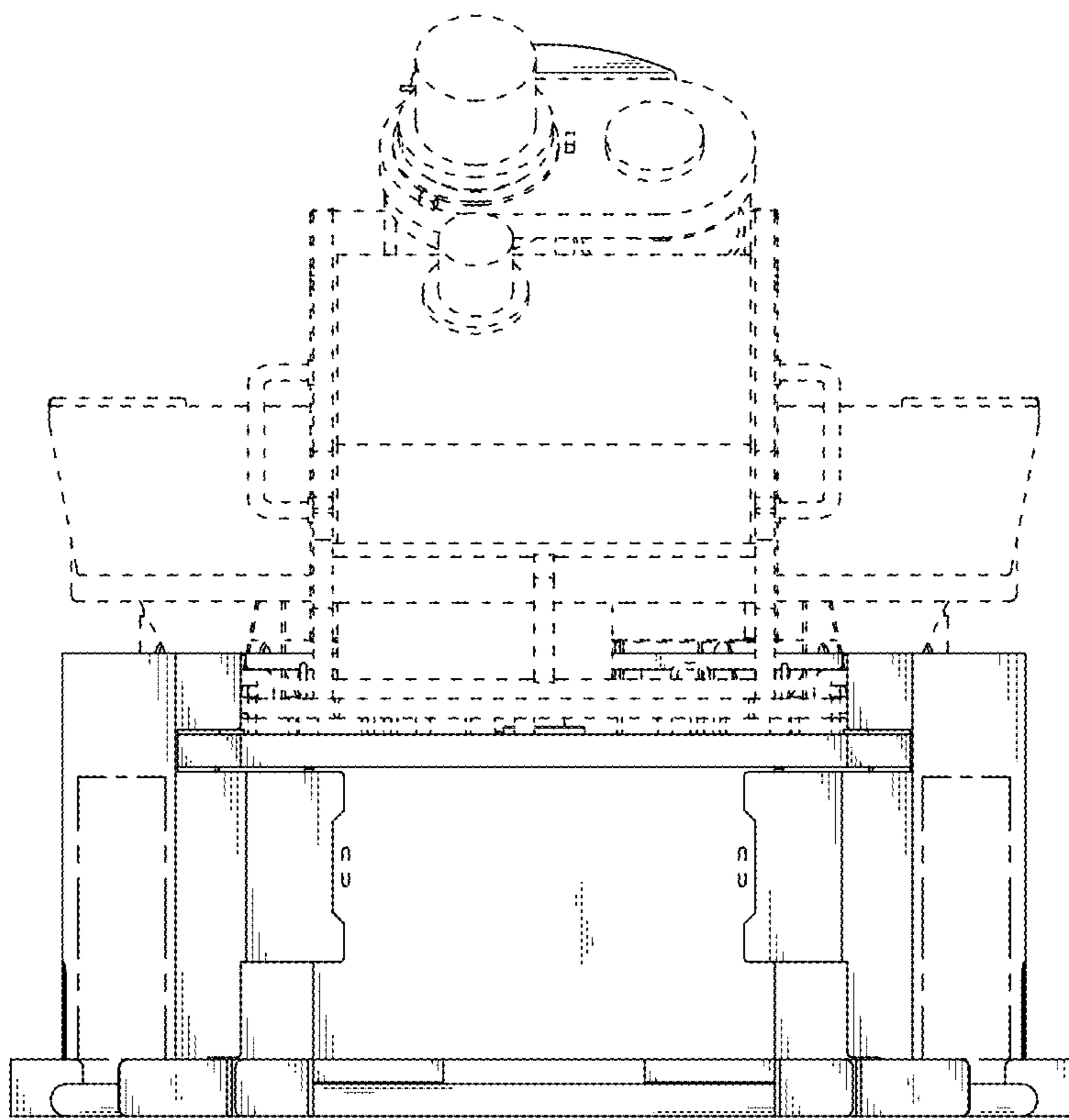


Fig.6

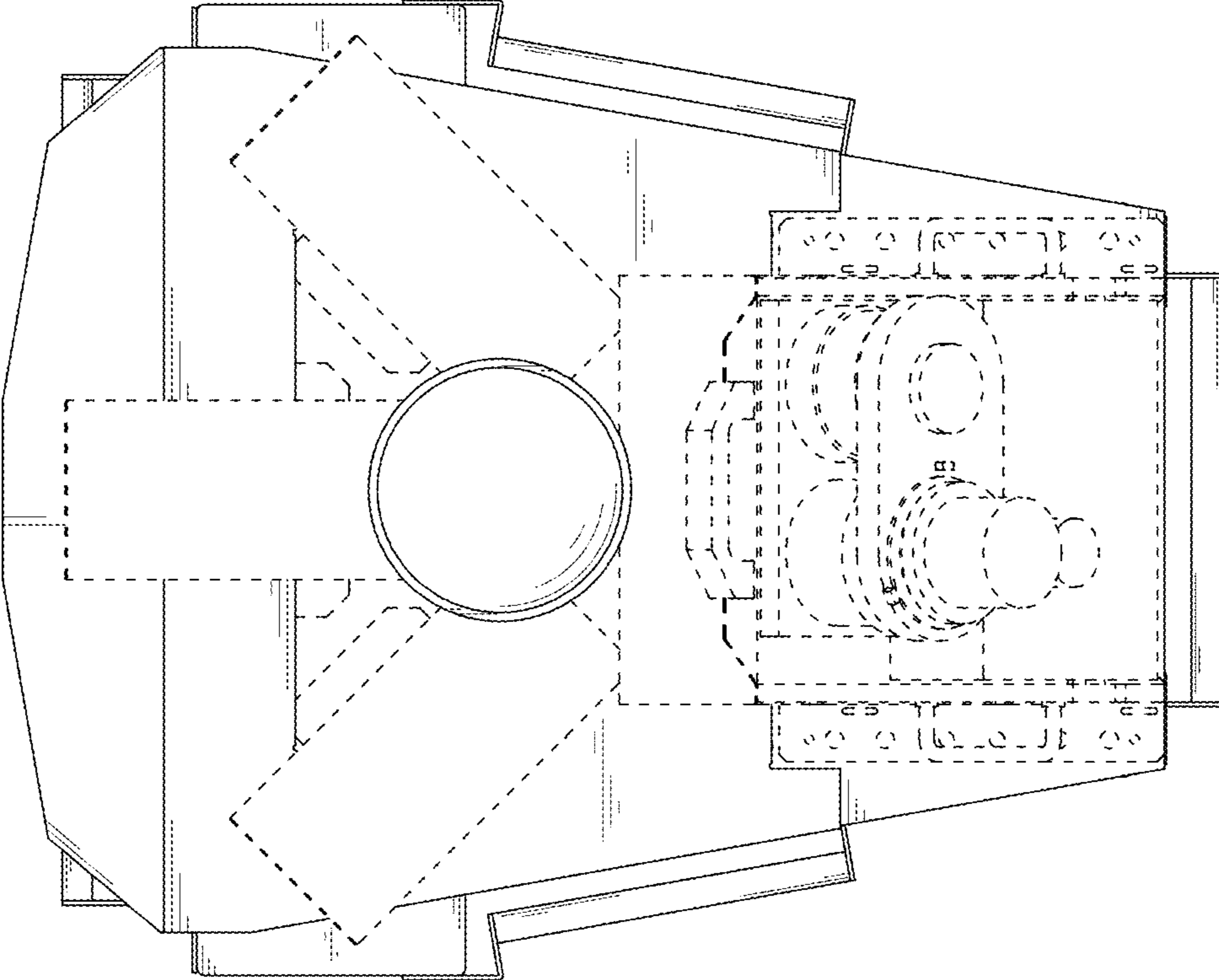


Fig.7

