



US00D883821S

(12) **United States Design Patent**
Herniman

(10) **Patent No.:** **US D883,821 S**

(45) **Date of Patent:** **** May 12, 2020**

(54) **COMBINATION SQUARE**

B62J 2099/004; B62J 2099/0013; B62J
2099/0033; B62J 3/00

(71) Applicant: **Marc & Muff Pty Ltd.**, Marayong
(AU)

See application file for complete search history.

(72) Inventor: **Ean Herniman**, Marayong (AU)

(56) **References Cited**

(73) Assignee: **MARC & MUFF PTY LTD**,
Marayong (AU)

U.S. PATENT DOCUMENTS

(**) Term: **15 Years**

D233,695 S * 11/1974 Payne G01B 3/566
D10/62

(21) Appl. No.: **29/669,655**

D320,359 S * 10/1991 La Gesse D10/62
5,339,530 A * 8/1994 Wright G01B 3/566
33/379

(22) Filed: **Nov. 9, 2018**

D460,008 S * 7/2002 Cina D10/62
2012/0180332 A1 * 7/2012 Herniman B43L 7/005
33/464

(30) **Foreign Application Priority Data**

* cited by examiner

Jun. 13, 2018 (AU) 201813535

Primary Examiner — Antoine Duval Davis

(51) **LOC (12) Cl.** **10-04**

(74) *Attorney, Agent, or Firm* — Lott & Fischer, PL

(52) **U.S. Cl.**
USPC **D10/65**

(57) **CLAIM**

The ornamental design for a combination square, substan-
tially as shown and described.

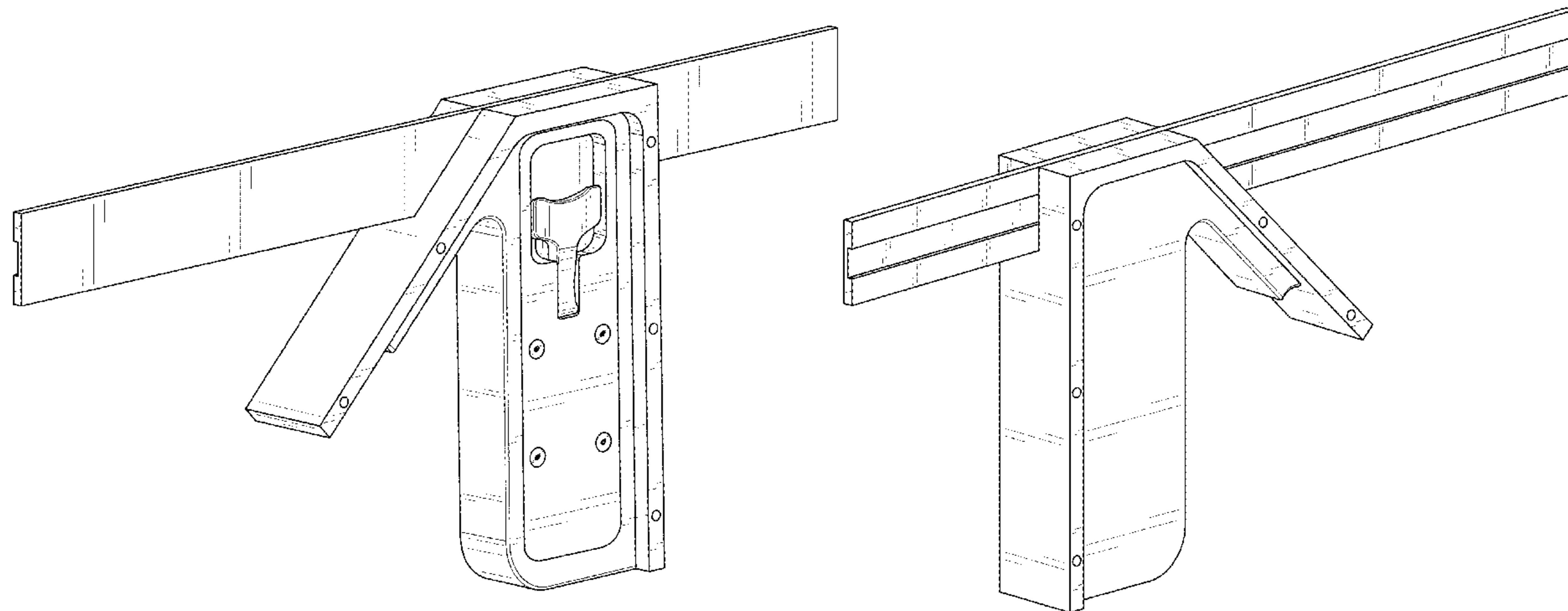
(58) **Field of Classification Search**

DESCRIPTION

USPC D10/65
CPC G01B 3/566; G01B 3/56; G01B 11/26;
G01B 3/30; B43L 7/007; B43L 7/02;
B43L 7/005; B43L 7/14; B43L 13/00;
B43L 7/027; B43L 7/0275; B43L 7/033;
B25H 7/00; B25H 7/02; E04D 15/025;
G01C 15/008; G01C 22/002; G01V 3/02;
G01V 3/10; G01V 3/15; G01V 3/104;
G01V 3/107; G01P 3/489; G01P 1/04;
G01P 1/06; B62J 99/00; B62J 2099/0026;

FIG. 1 is a front perspective view of my new design;
FIG. 2 is a rear perspective view of the design of FIG. 1;
FIG. 3 is a right side view of the design of FIG. 1;
FIG. 4 is a left side view of the design of FIG. 1;
FIG. 5 is a front view of the design of FIG. 1;
FIG. 6 is a rear view of the design of FIG. 1;
FIG. 7 is a top view of the design of FIG. 1; and,
FIG. 8 is a bottom view of the design of FIG. 1.

1 Claim, 8 Drawing Sheets



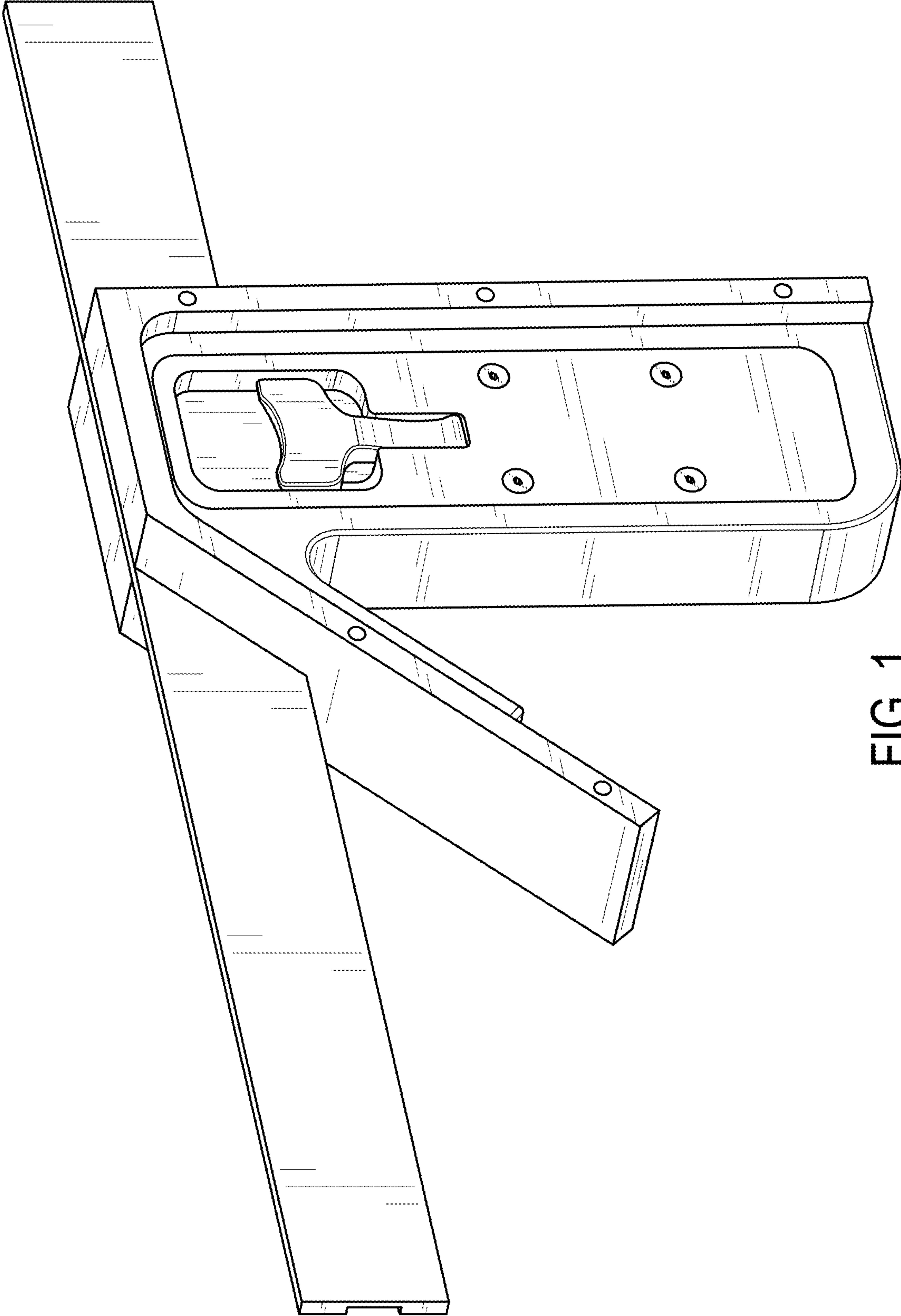


FIG. 1

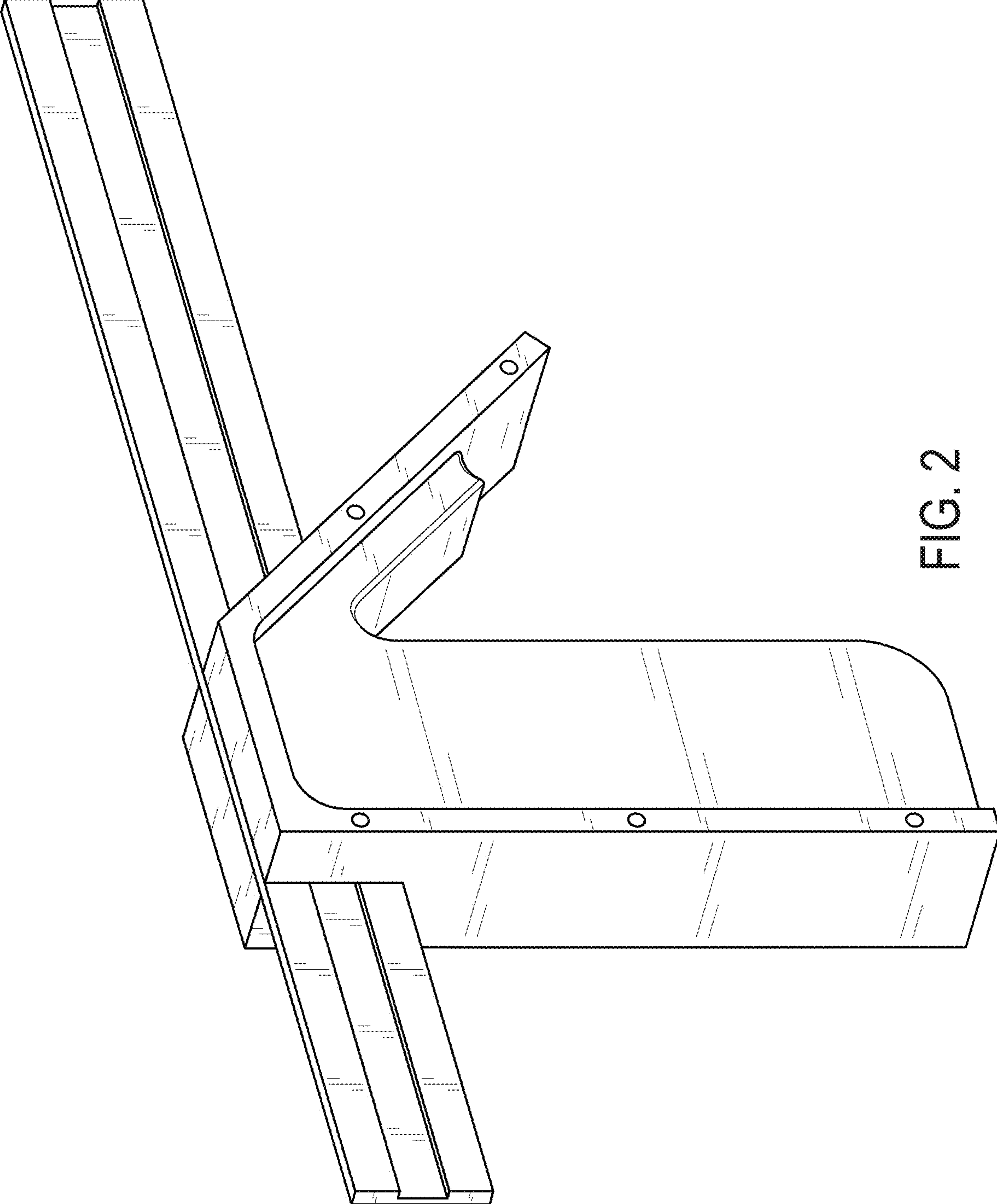


FIG. 2

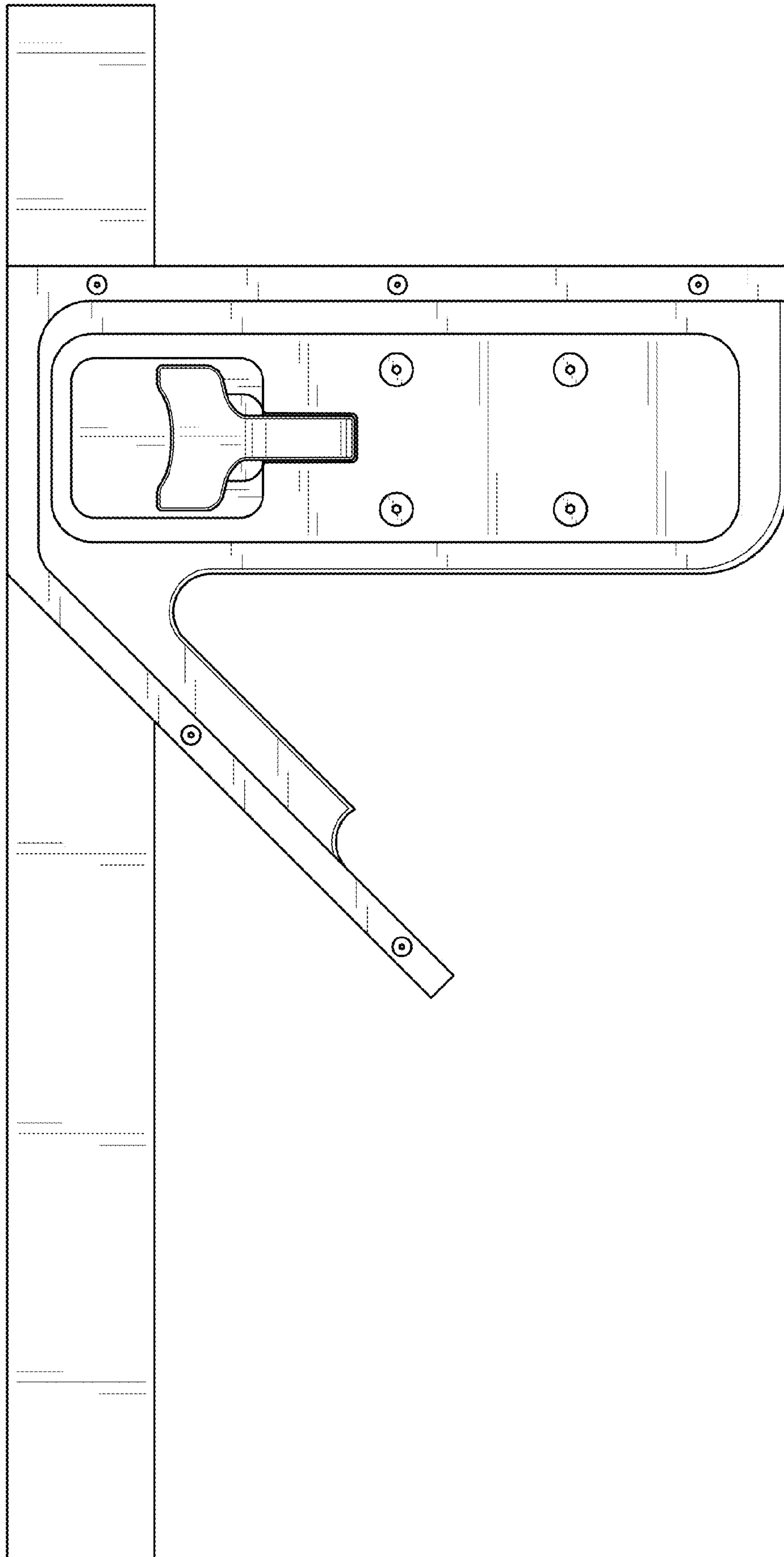


FIG. 3

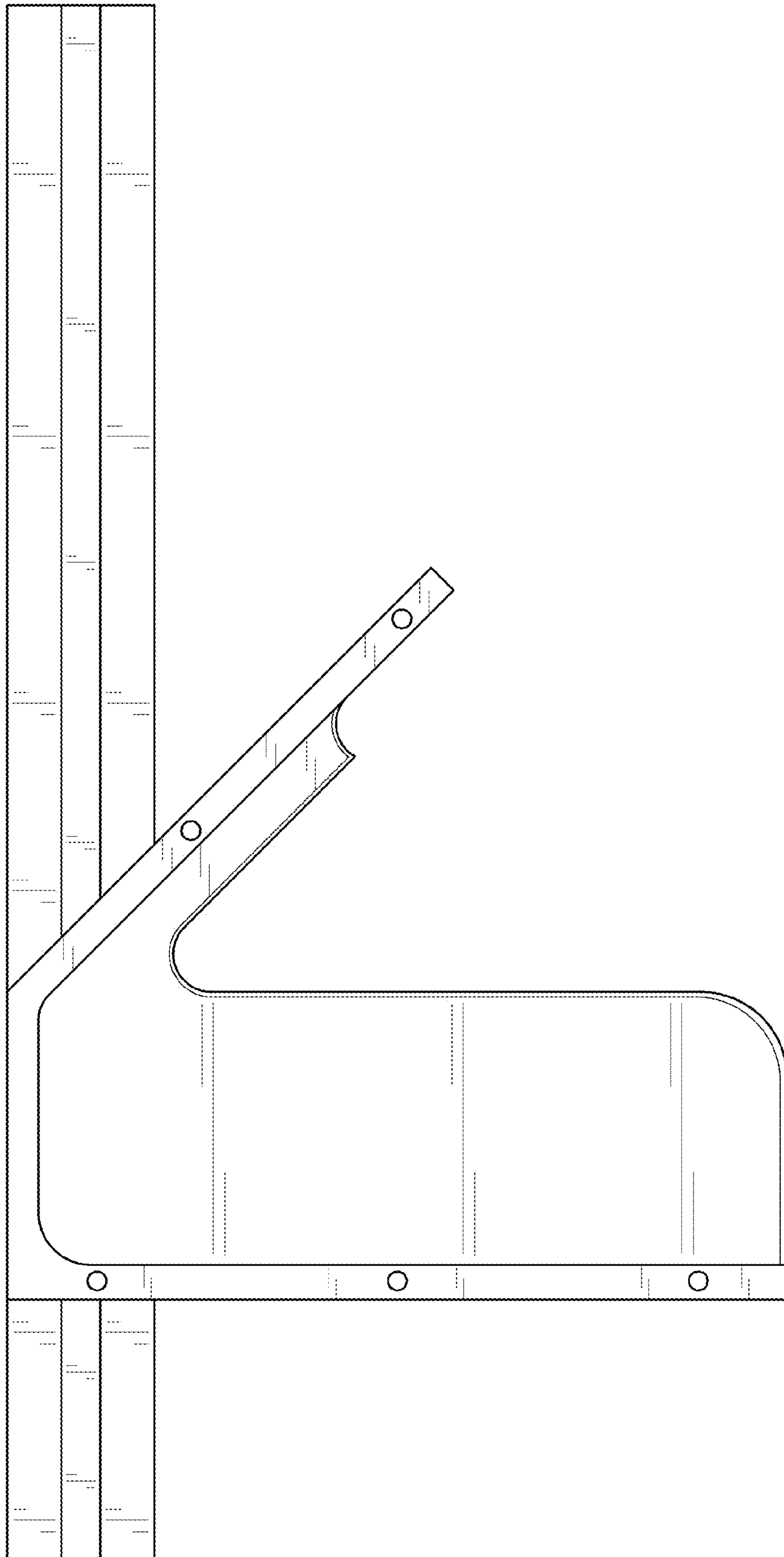


FIG. 4

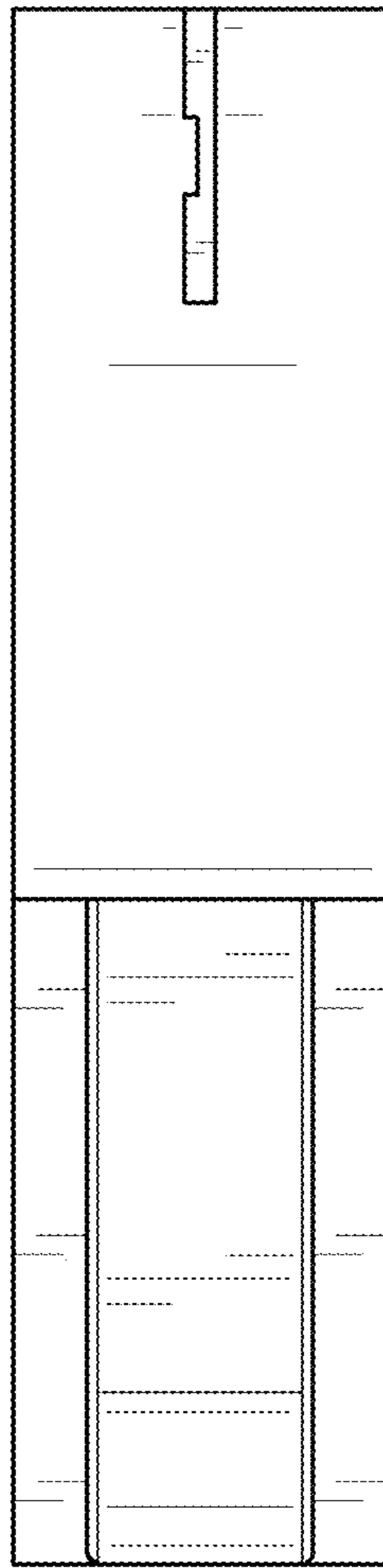


FIG. 5

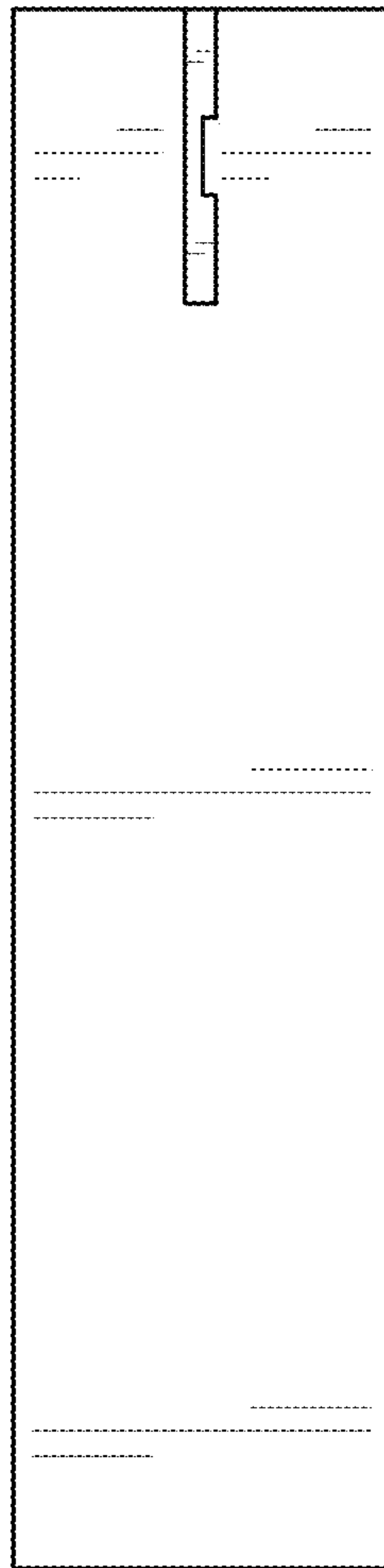


FIG. 6

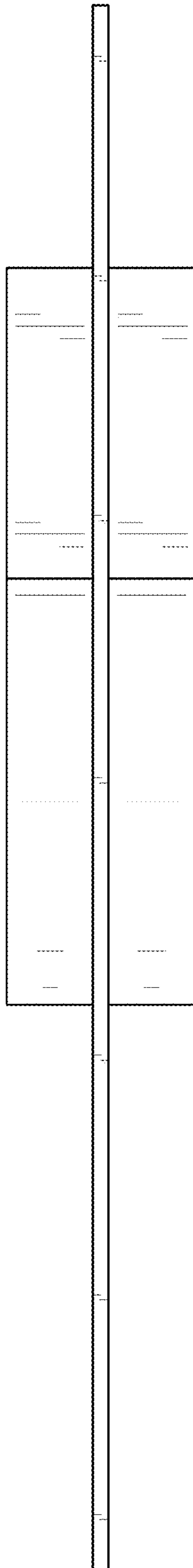


FIG. 7

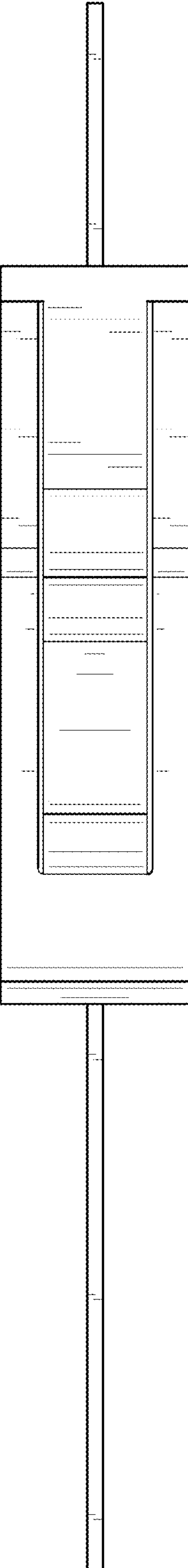


FIG. 8