



US00D883820S

(12) **United States Design Patent** (10) **Patent No.:** **US D883,820 S**
Dunkley et al. (45) **Date of Patent:** **** May 12, 2020**

(54) **TRANSDUCER FAIRING**
(71) Applicant: **J.F. Brennan Co., Inc.**, La Crosse, WI (US)
(72) Inventors: **James Robert Dunkley**, La Crosse, WI (US); **Kayla Marie Thilges**, La Crosse, WI (US); **Michael John Wyatt**, Marquette, MI (US)
(73) Assignee: **J.F. BRENNAN CO., INC.**, La Crosse, WI (US)
(**) Term: **15 Years**

D310,036 S 8/1990 Bird
4,980,872 A * 12/1990 Oler G10K 11/355
367/104
D325,880 S * 5/1992 Havins D10/80
D329,616 S 9/1992 Stiner
D344,239 S * 2/1994 Suggs D10/65
5,722,340 A 3/1998 Sweetman et al.
D430,099 S * 8/2000 Sobey D12/317
7,190,637 B2 3/2007 Evans et al.
D561,675 S * 2/2008 Czipri D12/317
D573,525 S * 7/2008 Chen D12/300
D590,760 S * 4/2009 Templeman D12/317
8,091,894 B2 * 1/2012 Kreiman F41J 9/02
273/390
8,826,842 B2 * 9/2014 Hinrichs B63B 21/663
114/243

(Continued)

(21) Appl. No.: **29/596,586**
(22) Filed: **Mar. 9, 2017**
(51) **LOC (12) Cl.** **10-04**
(52) **U.S. Cl.**
USPC **D10/65; D15/138**
(58) **Field of Classification Search**
USPC D8/349; D10/65, 80, 349; D12/300,
D12/310; D15/138, 199
CPC B63B 49/00; G01S 15/96; G01S 15/8902
See application file for complete search history.

Primary Examiner — Patricia A Palasik
(74) *Attorney, Agent, or Firm* — Husch Blackwell LLP

(57) **CLAIM**

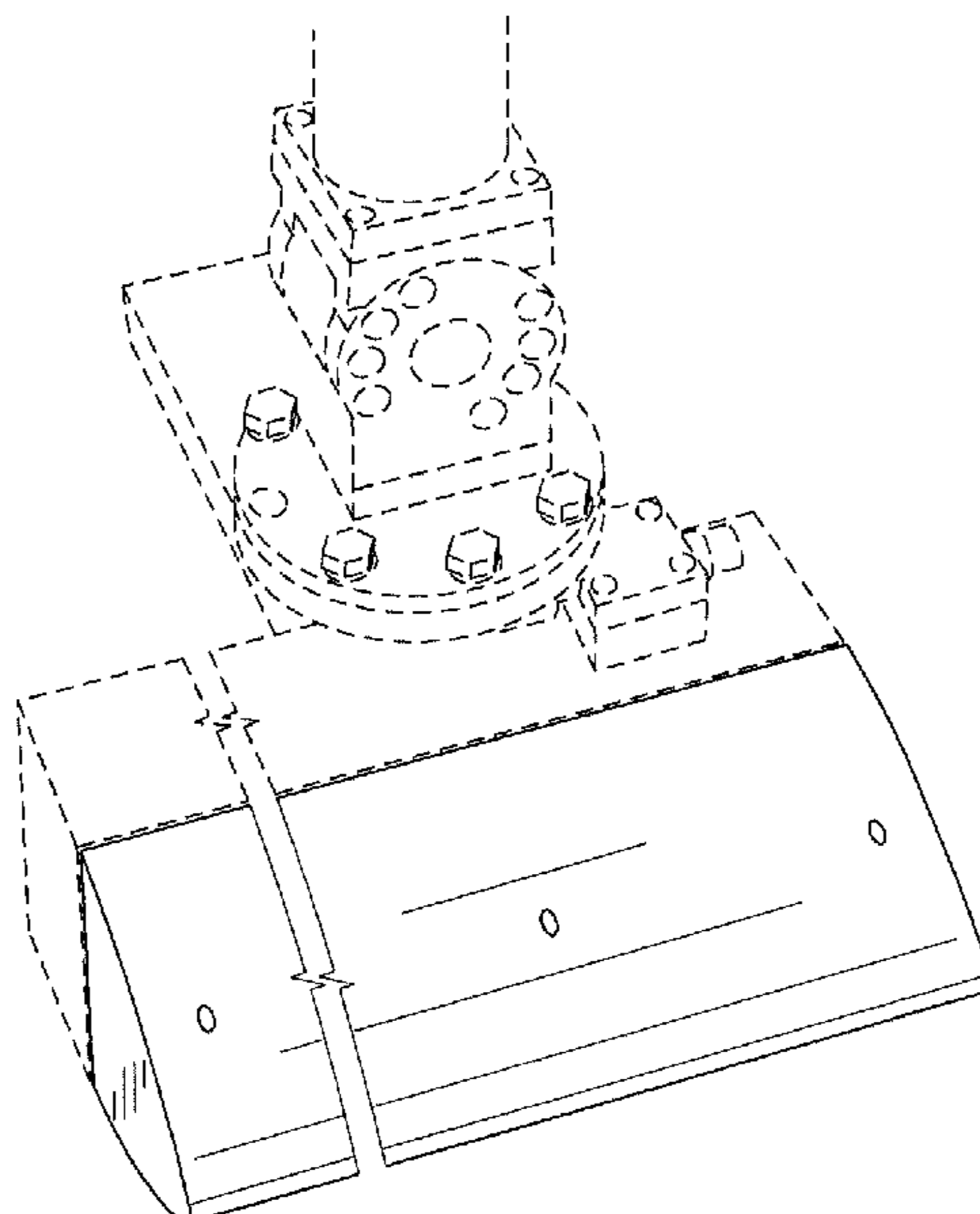
The ornamental design for a transducer fairing, as shown and described.

DESCRIPTION

FIG. 1 is a top left side perspective view of an embodiment of a transducer airing showing our new design;
FIG. 2 an enlarged top right side perspective view thereof;
FIG. 3 is a front view thereof;
FIG. 4 top view thereof;
FIG. 5 is a left side view thereof;
FIG. 6 is a right side view thereof;
FIG. 7 is a bottom view thereof; and,
FIG. 8 is a rear view thereof.
The transducer fairing thereof is shown with a symbolic break in its length. The appearance of any portion of the transducer fairing between the break lines forms no part of the claimed design.

(56) **References Cited**
U.S. PATENT DOCUMENTS
1,391,681 A 9/1921 Hahnemann et al.
2,575,339 A 11/1951 Fitzgerald
3,452,327 A 6/1969 Clynch
3,781,780 A 12/1973 Dow
4,282,590 A * 8/1981 Wingate G10K 11/355
367/104
D287,847 S * 1/1987 Bobinac D12/302
4,881,210 A 11/1989 Myers et al.
4,928,915 A * 5/1990 Havins G01S 7/521
248/288.31
4,938,165 A * 7/1990 Williams B63B 5/24
114/343

1 Claim, 3 Drawing Sheets



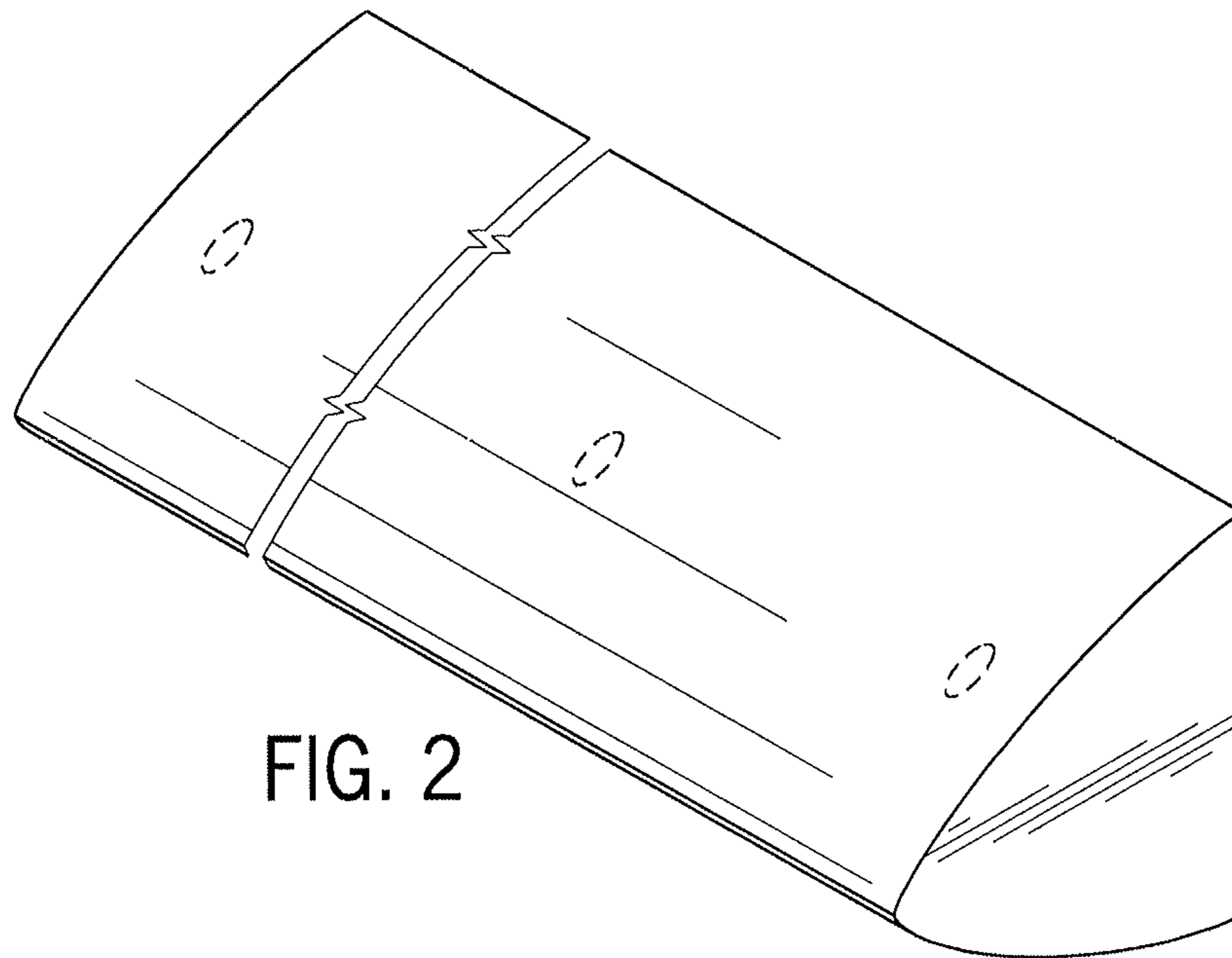
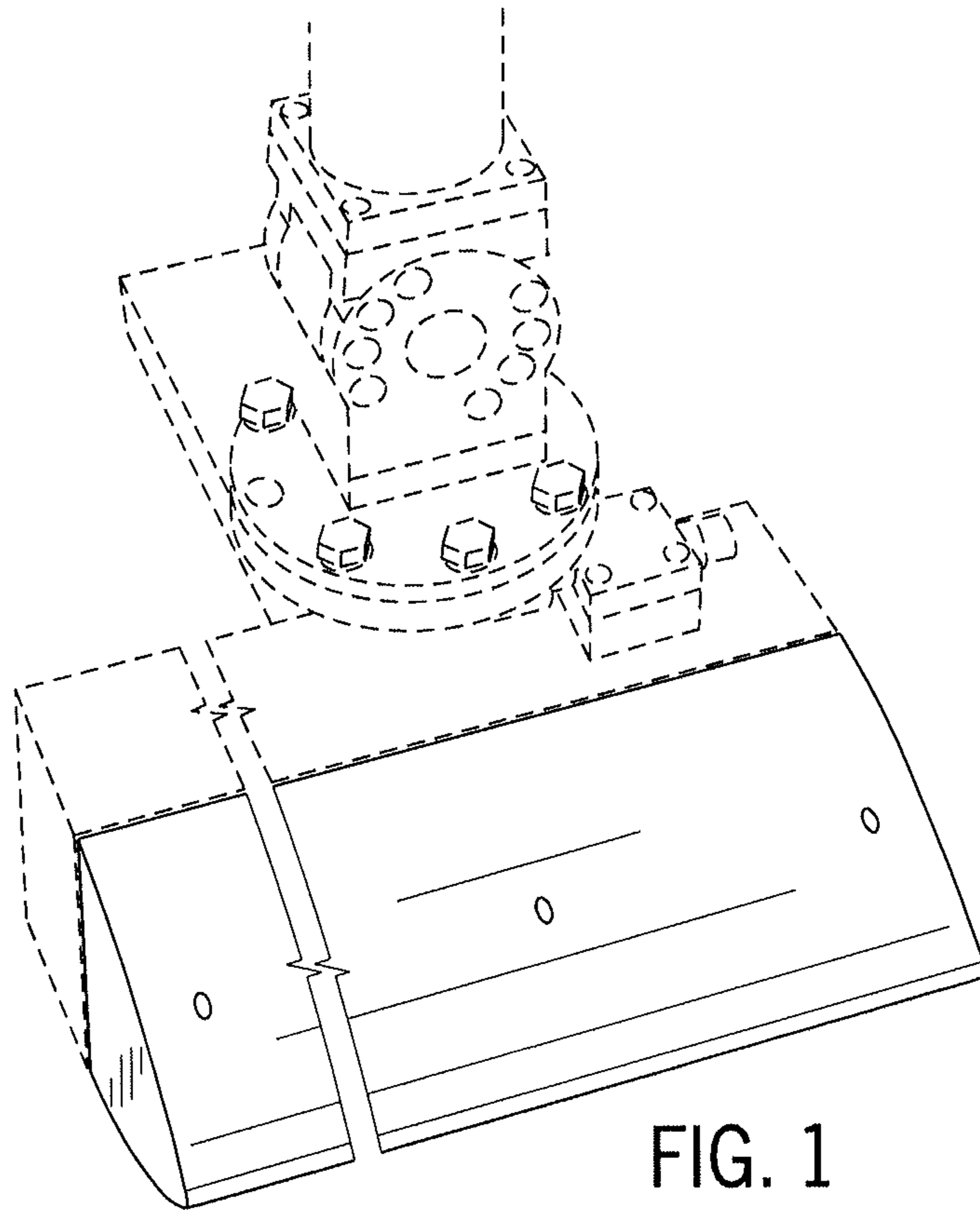
(56)

References Cited

U.S. PATENT DOCUMENTS

D723,446 S * 3/2015 Wemesfelder D12/316
9,322,915 B2 * 4/2016 Betts G01S 7/521
D765,233 S * 8/2016 Lee D23/351
9,458,586 B2 10/2016 Masters et al.
9,459,350 B2 * 10/2016 Betts G01S 15/89
D776,599 S * 1/2017 Page D12/310
9,534,618 B1 * 1/2017 Allen F15D 1/10
10,079,010 B1 * 9/2018 Bradley G10K 11/006
2001/0039910 A1 * 11/2001 Koda A01K 91/02
114/255
2016/0362164 A1 * 12/2016 Page B63B 49/00

* cited by examiner



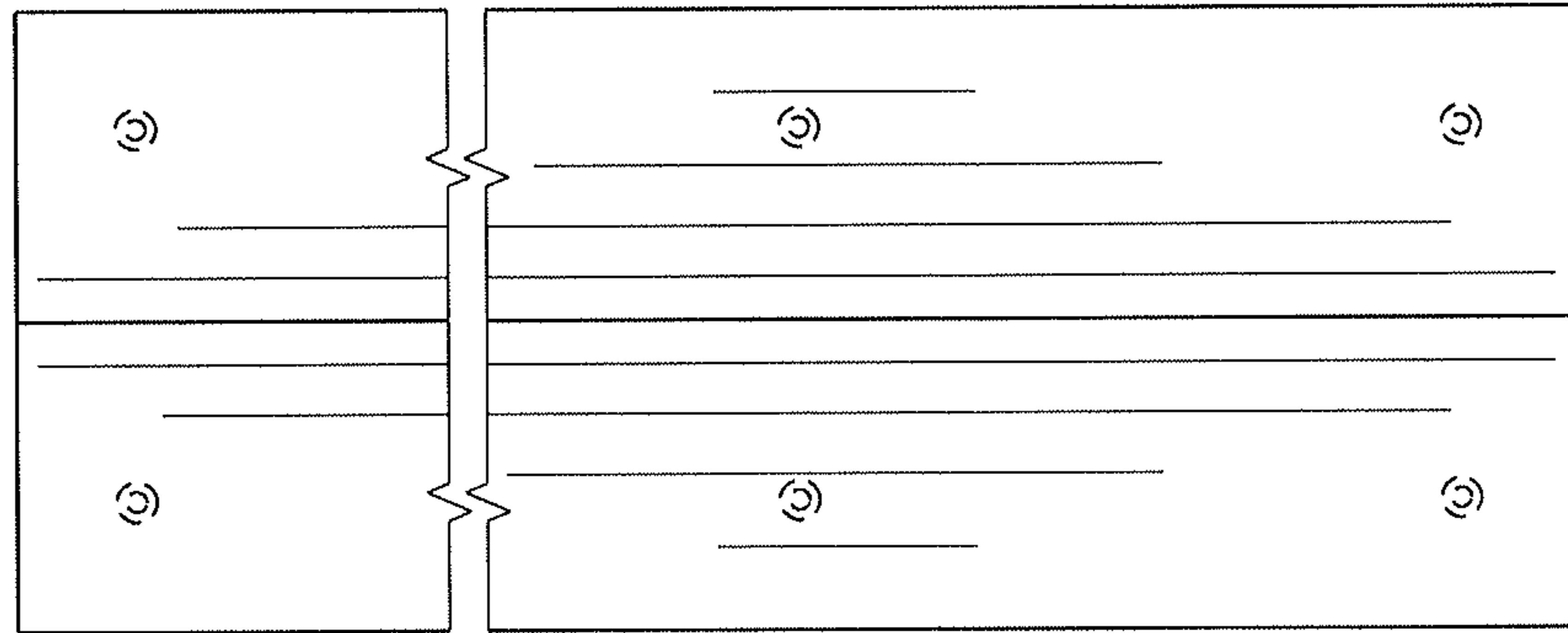


FIG. 3

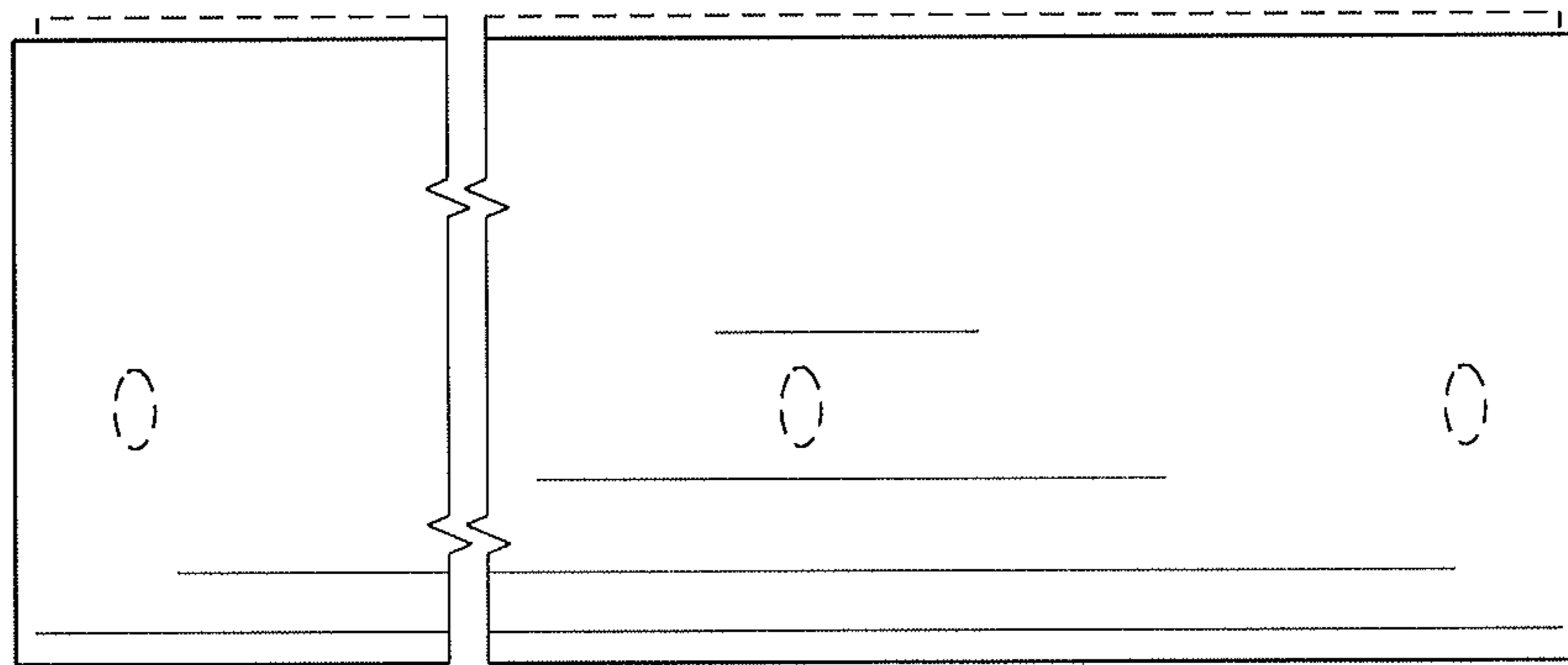


FIG. 4

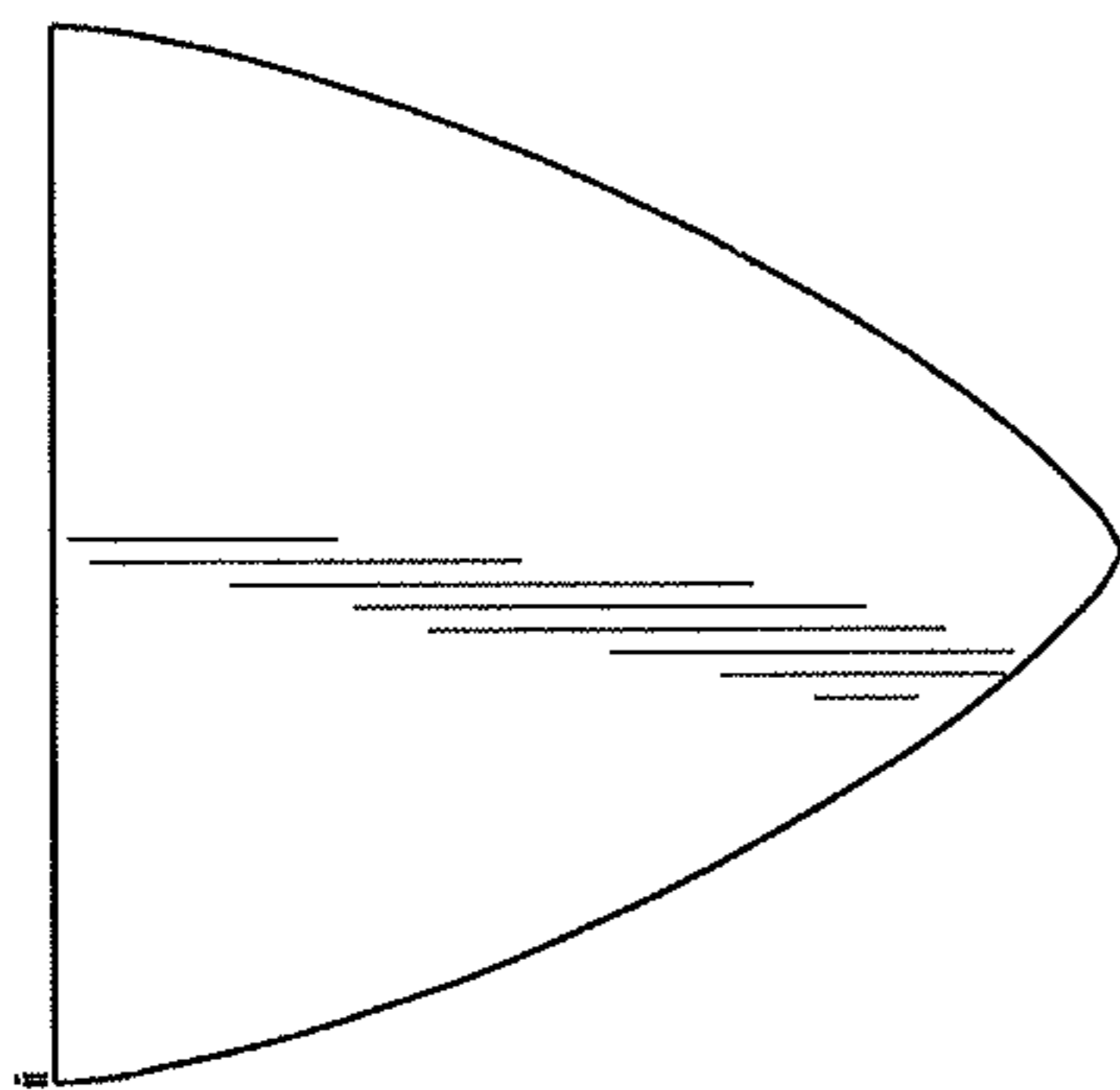


FIG. 5

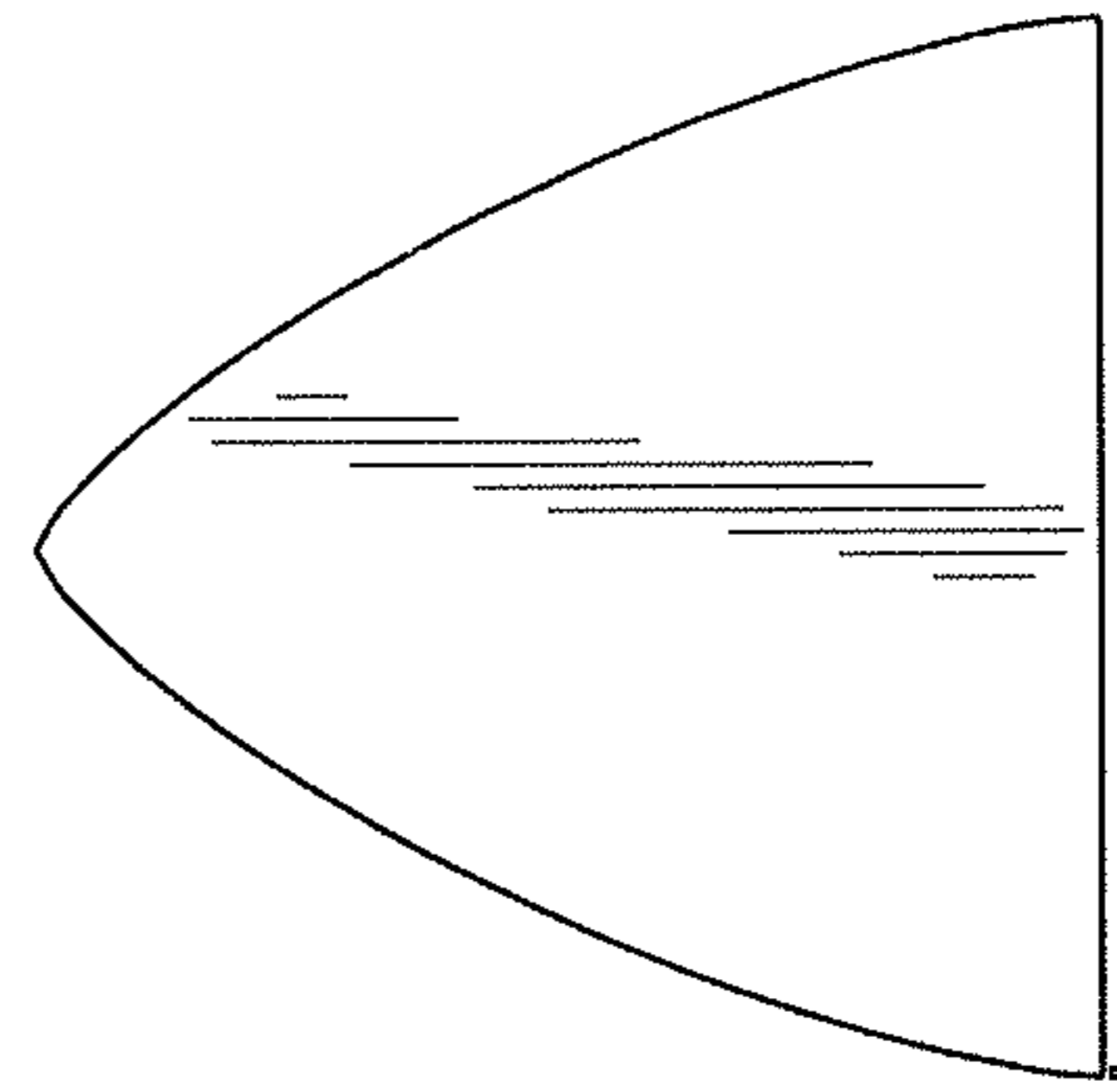


FIG. 6

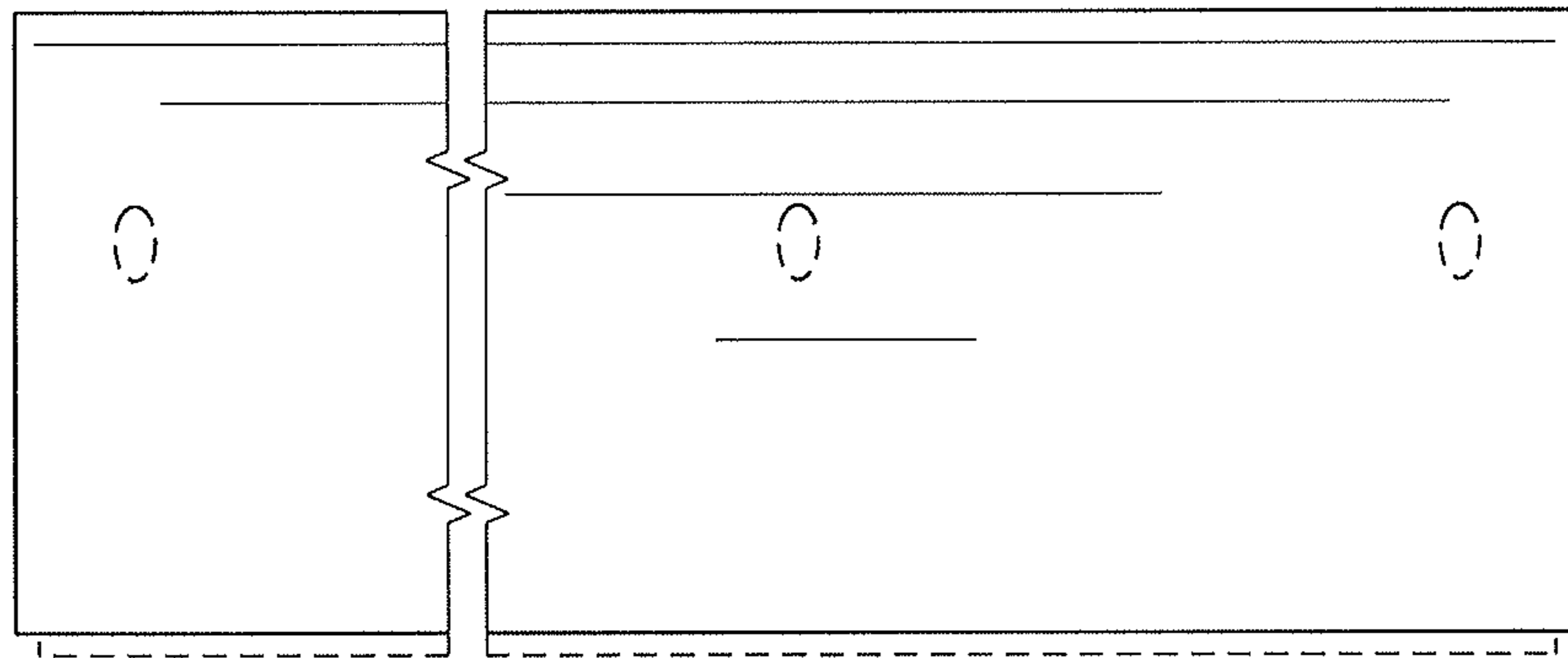


FIG. 7

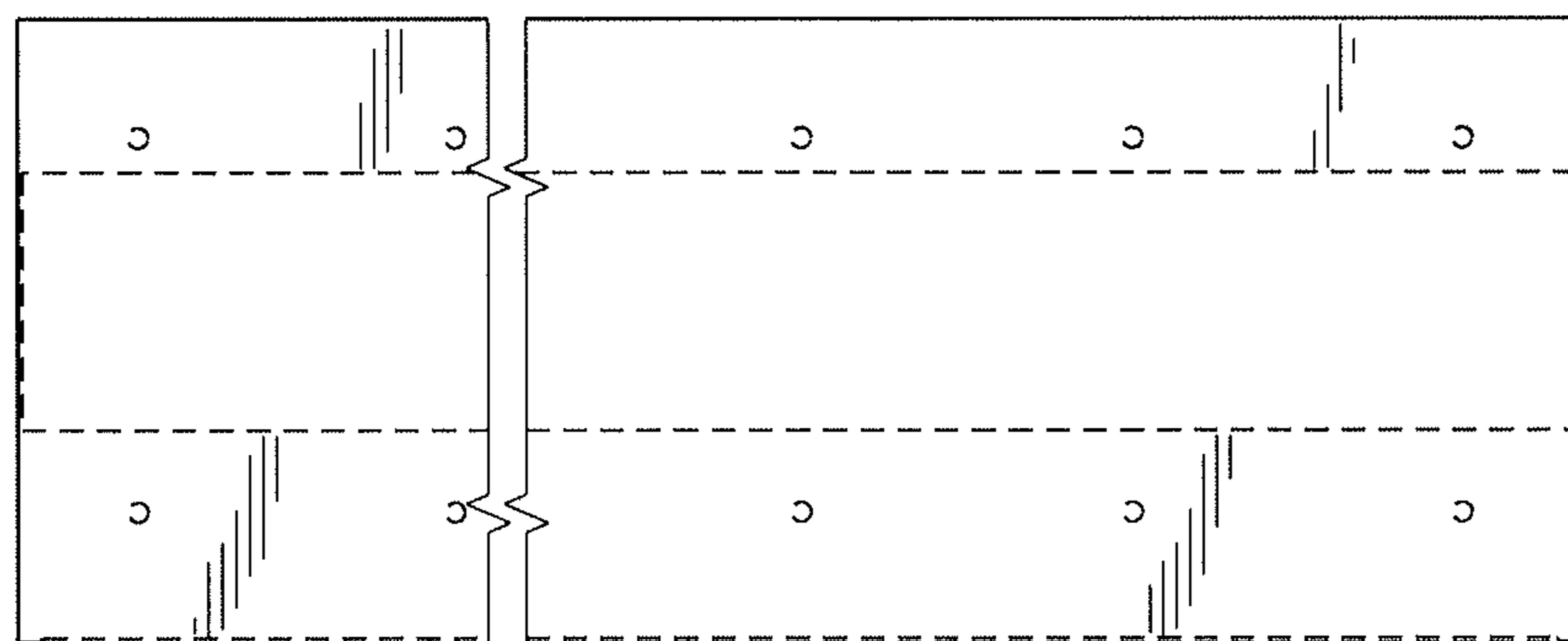


FIG. 8