



US00D883817S

(12) **United States Design Patent**
Gong et al.

(10) **Patent No.:** **US D883,817 S**

(45) **Date of Patent:** **** May 12, 2020**

(54) **HYGROMETER**

Primary Examiner — Antoine Duval Davis

(71) Applicant: **SHENZHEN INTELLIROCKS
TECH. CO., LTD.**, Shenzhen (CN)

(72) Inventors: **Cheng Gong**, Shenzhen (CN); **Yuling Zhan**, Shenzhen (CN); **Wenlong Wu**, Shenzhen (CN)

(73) Assignee: **SHENZHEN INTELLIROCKS
TECH. CO., LTD.**, Shenzhen (CN)

(**) Term: **15 Years**

(21) Appl. No.: **29/670,641**

(22) Filed: **Nov. 19, 2018**

(30) **Foreign Application Priority Data**

May 22, 2018 (CN) 2018 3 02394740

(51) **LOC (12) Cl.** **10-04**

(52) **U.S. Cl.**
USPC **D10/56**

(58) **Field of Classification Search**
USPC D10/52–56
CPC G01N 17/00; G01N 19/10; G01N 27/00;
G01N 27/048

See application file for complete search history.

(56) **References Cited**

U.S. PATENT DOCUMENTS

D292,778 S * 11/1987 Cilvio D10/56

* cited by examiner

(57) **CLAIM**

The ornamental design for a hygrometer, as shown and described.

DESCRIPTION

FIG. 1 is a perspective view of a hygrometer shown in a first configuration of use;

FIG. 2 is another perspective view of the hygrometer shown in the first configuration of use;

FIG. 3 is a front elevational view thereof;

FIG. 4 is a rear elevational view thereof;

FIG. 5 is a left side elevational view thereof;

FIG. 6 is a right side elevational view thereof;

FIG. 7 is a top plan view thereof;

FIG. 8 is a bottom plan view thereof;

FIG. 9 is a perspective view of the hygrometer where a back cover is in a separation state;

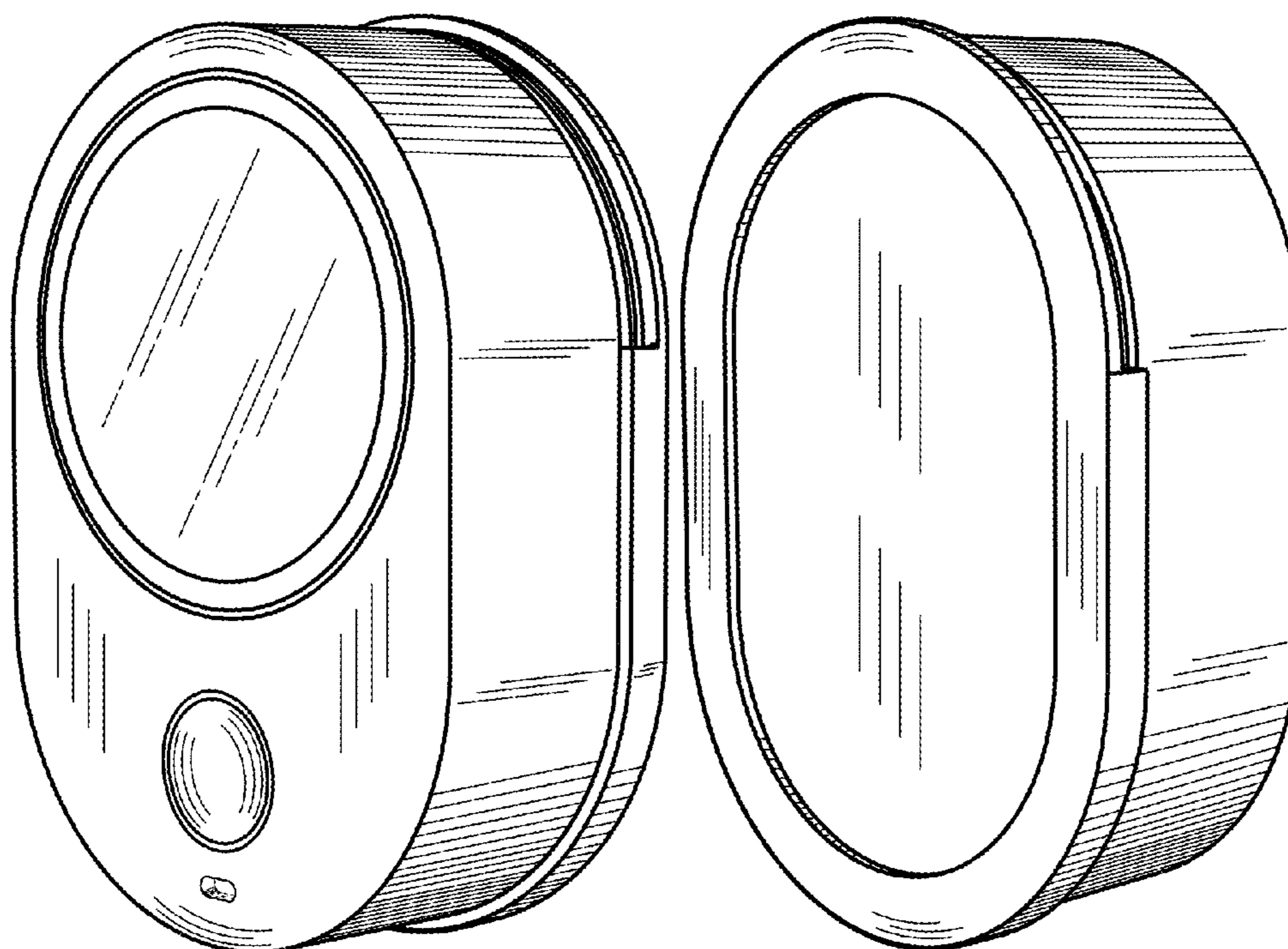
FIG. 10 is a perspective view of the hygrometer shown in a second configuration of use;

FIG. 11 is a perspective view of the hygrometer shown in a third configuration of use; and,

FIG. 12 is a perspective view of the hygrometer shown in a fourth configuration of use.

The broken lines in the drawings depict portions of the hygrometer that form no part of the claimed design.

1 Claim, 12 Drawing Sheets



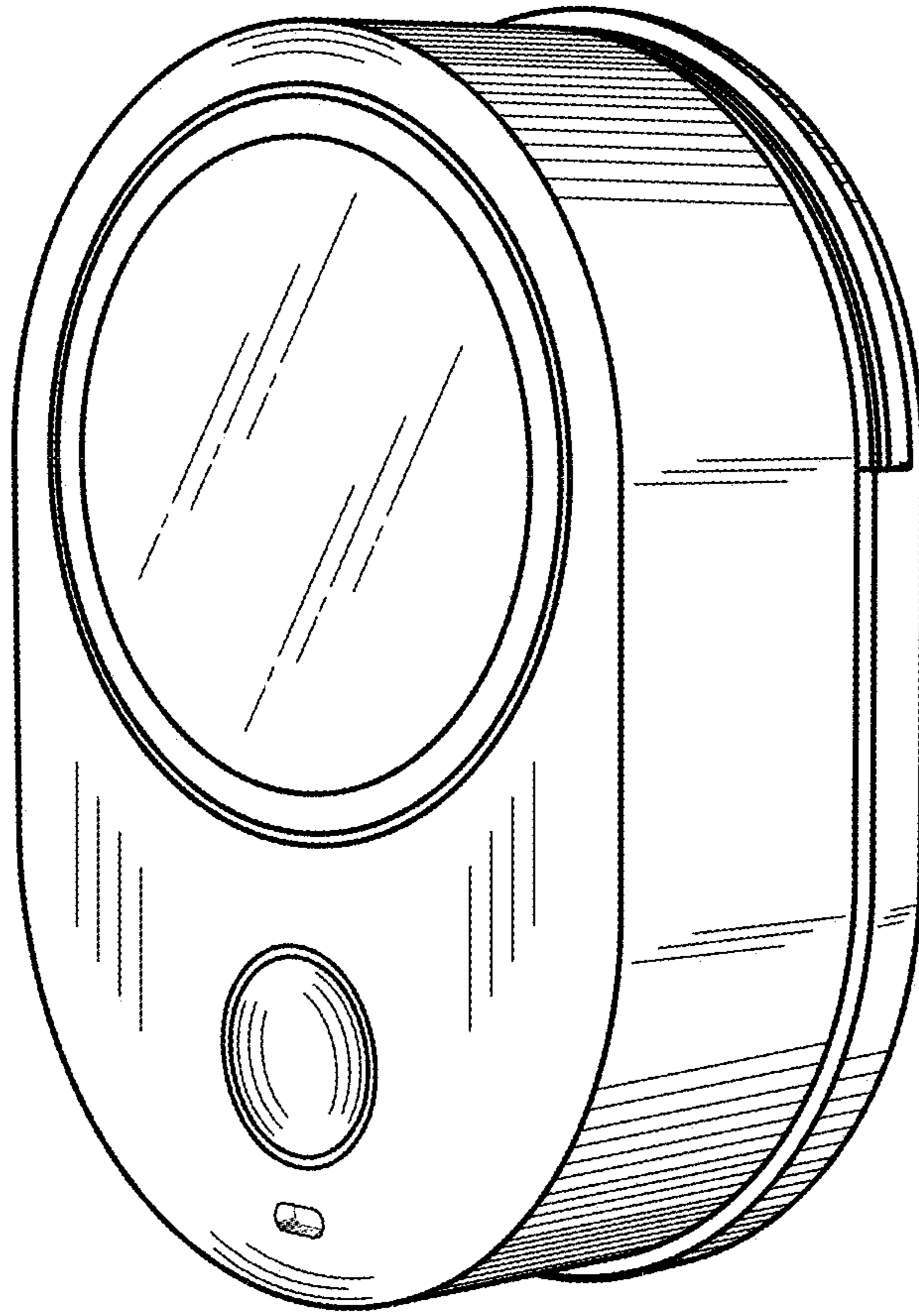


FIG. 1

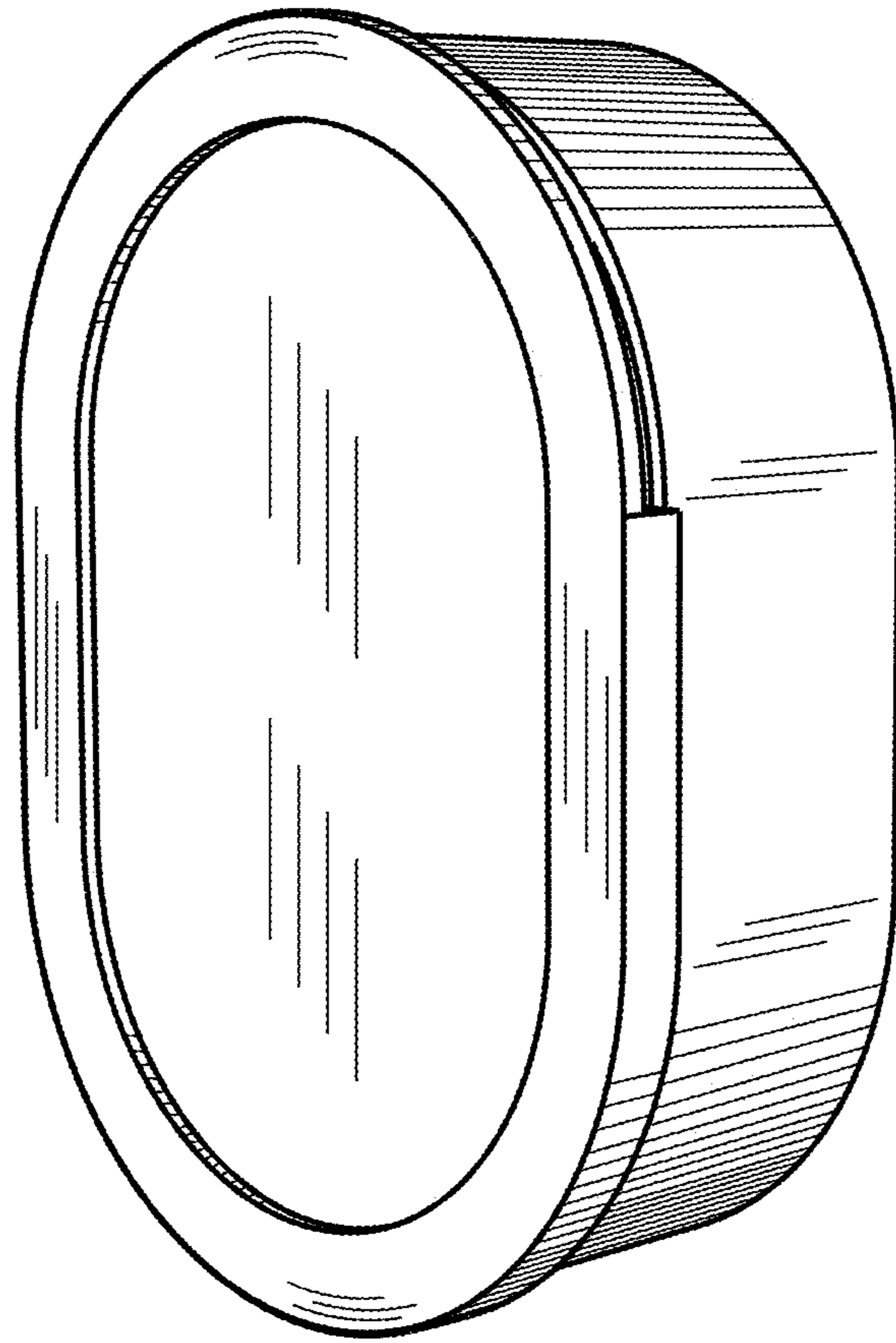


FIG. 2

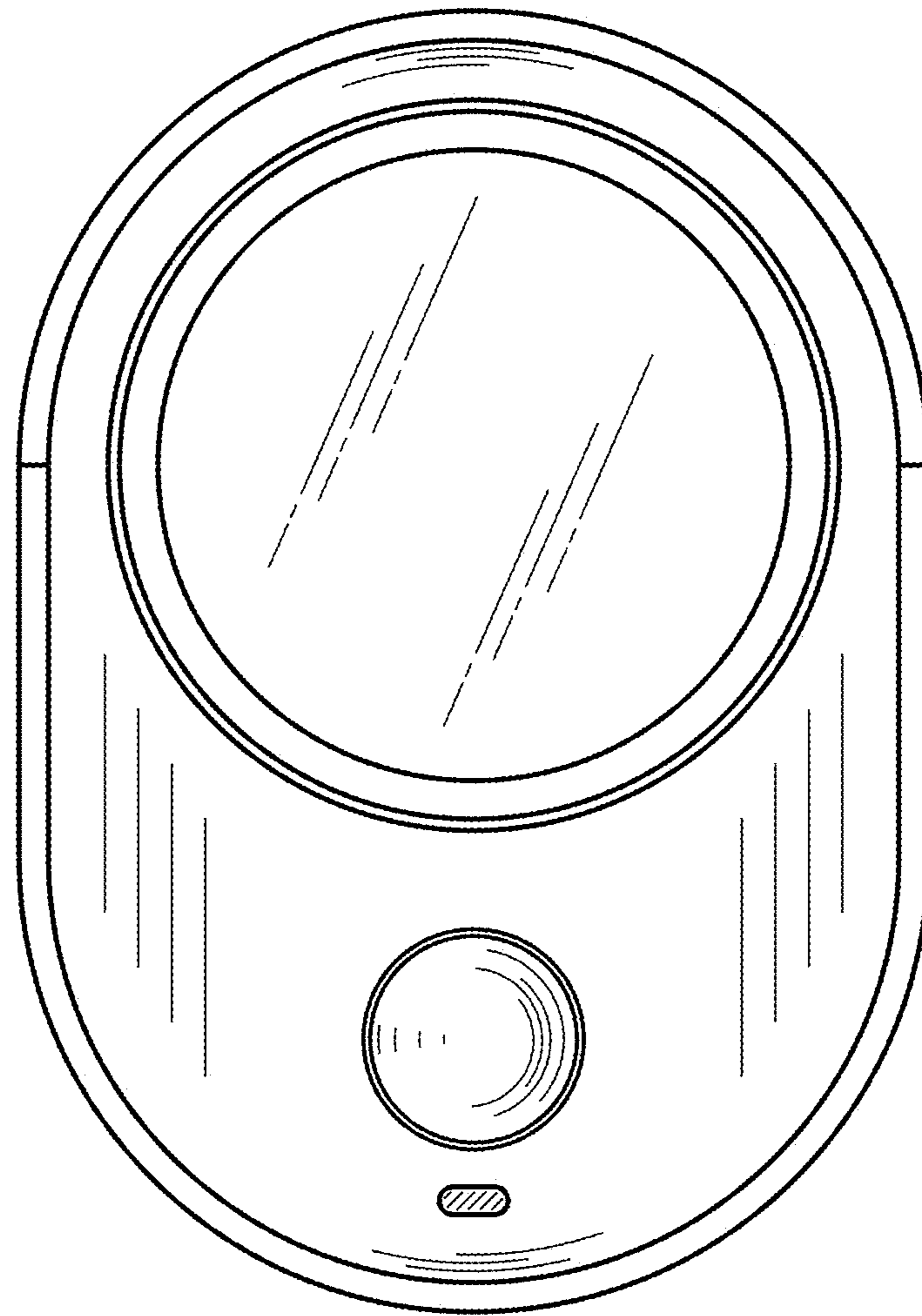


FIG. 3

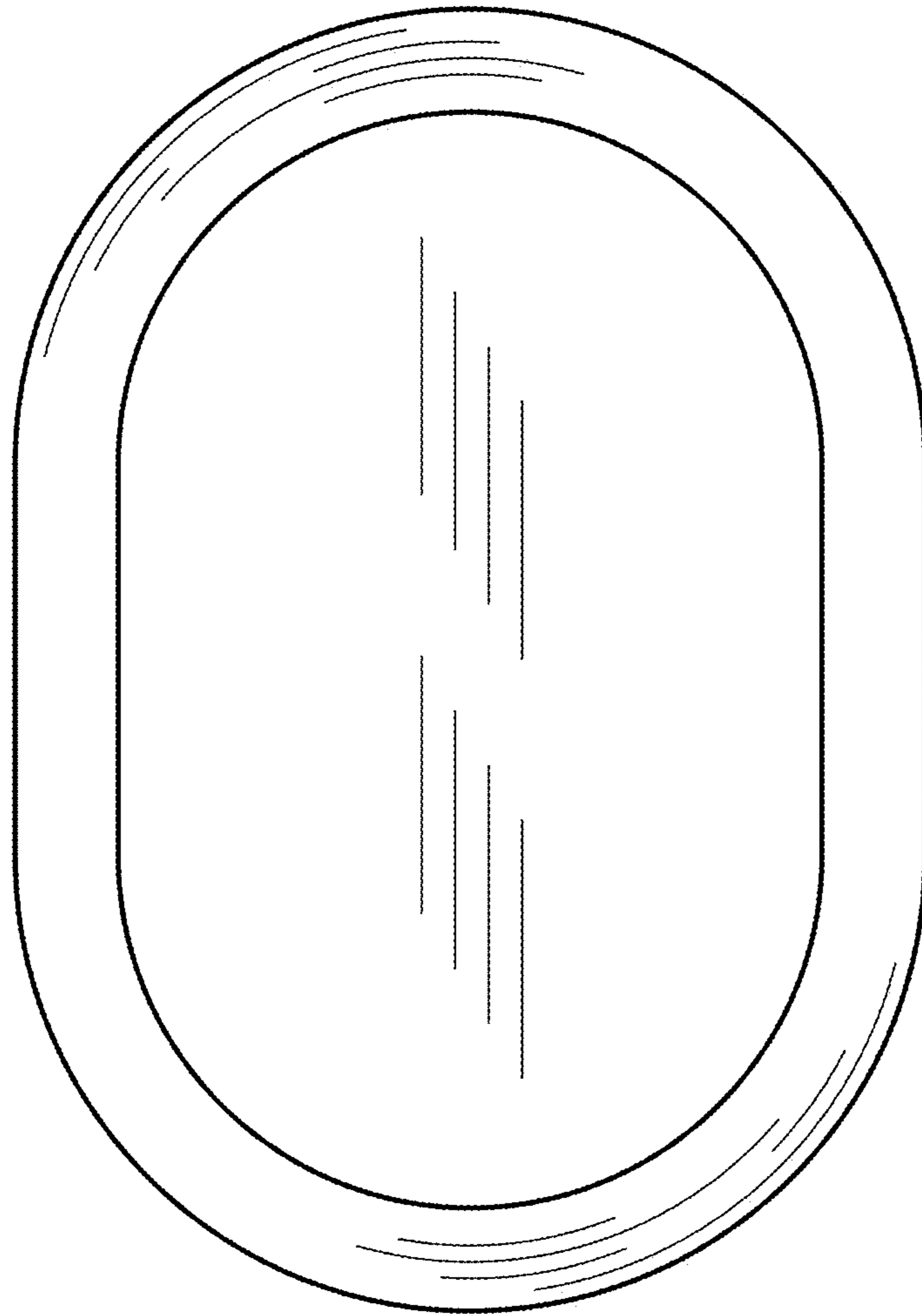


FIG. 4

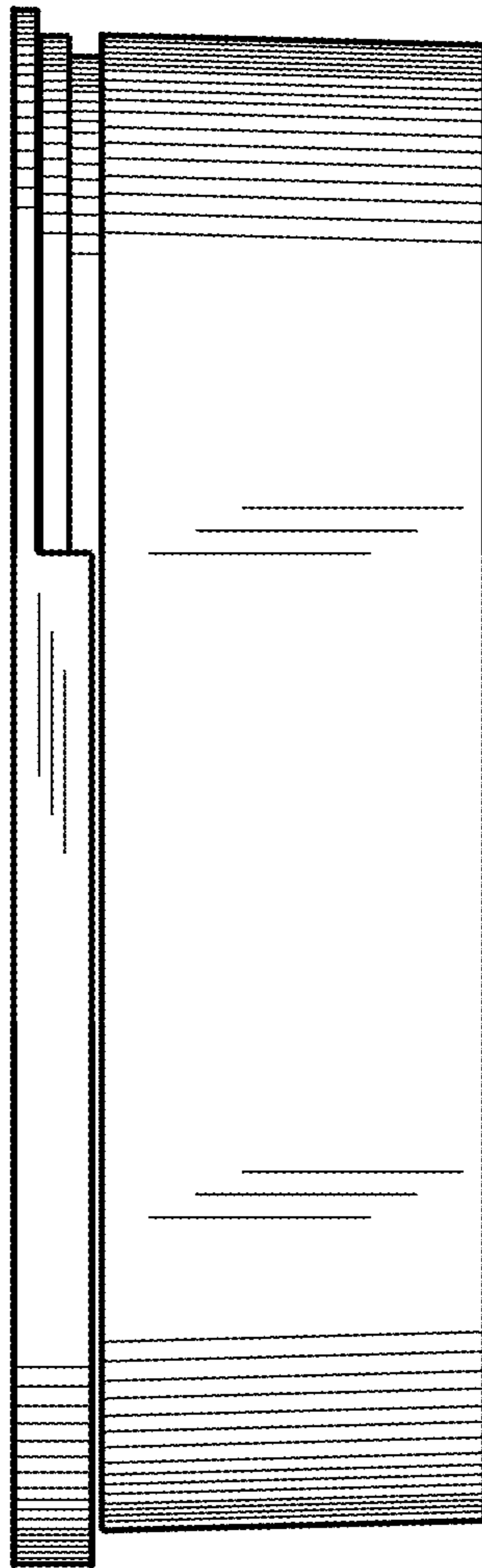


FIG. 5

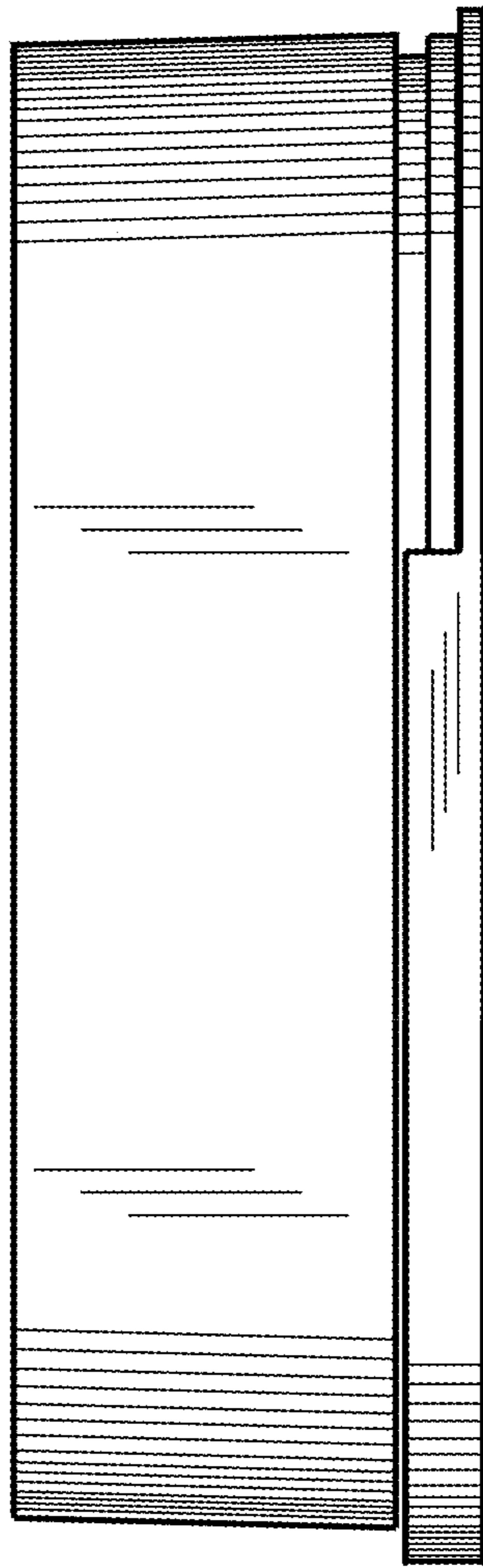


FIG. 6

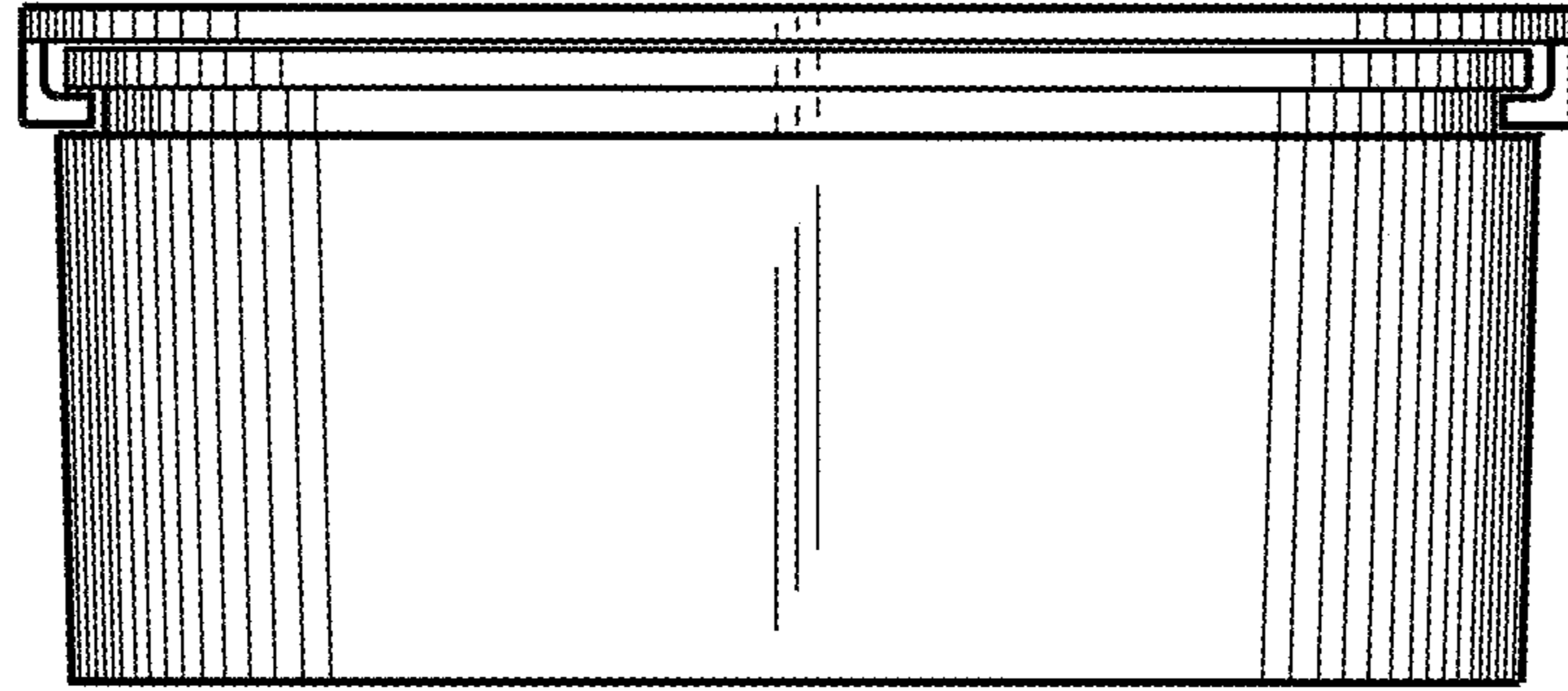


FIG. 7

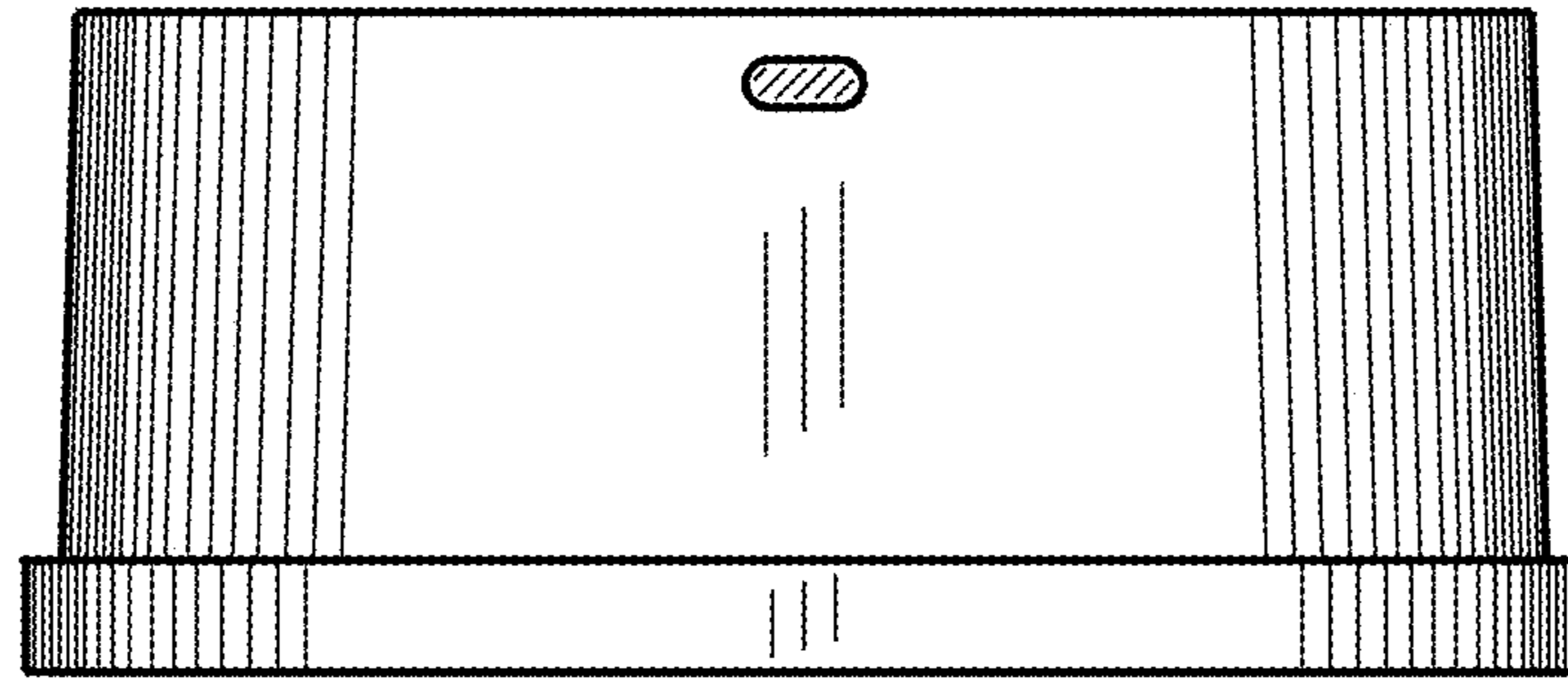


FIG. 8

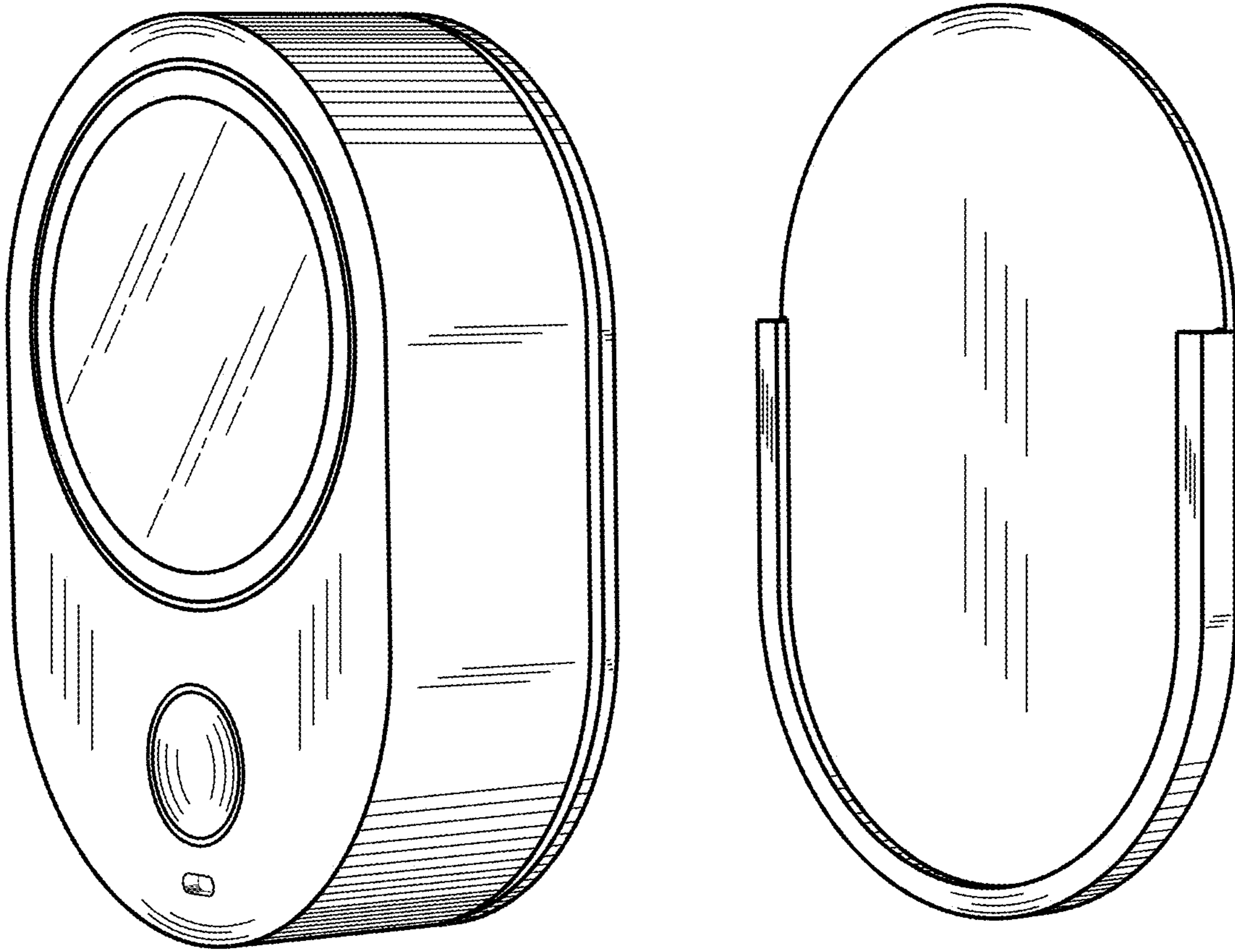


FIG. 9

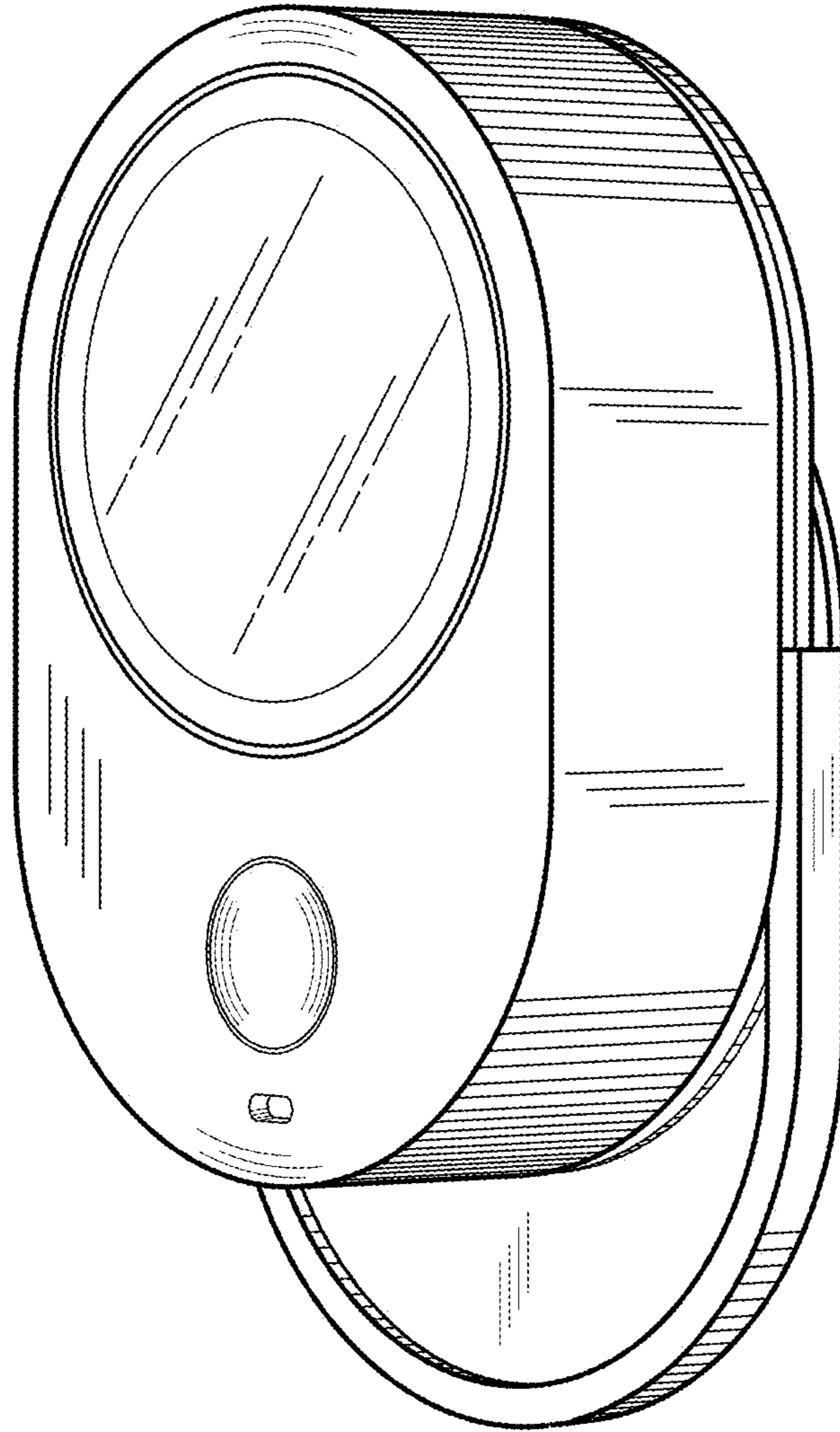


FIG. 10

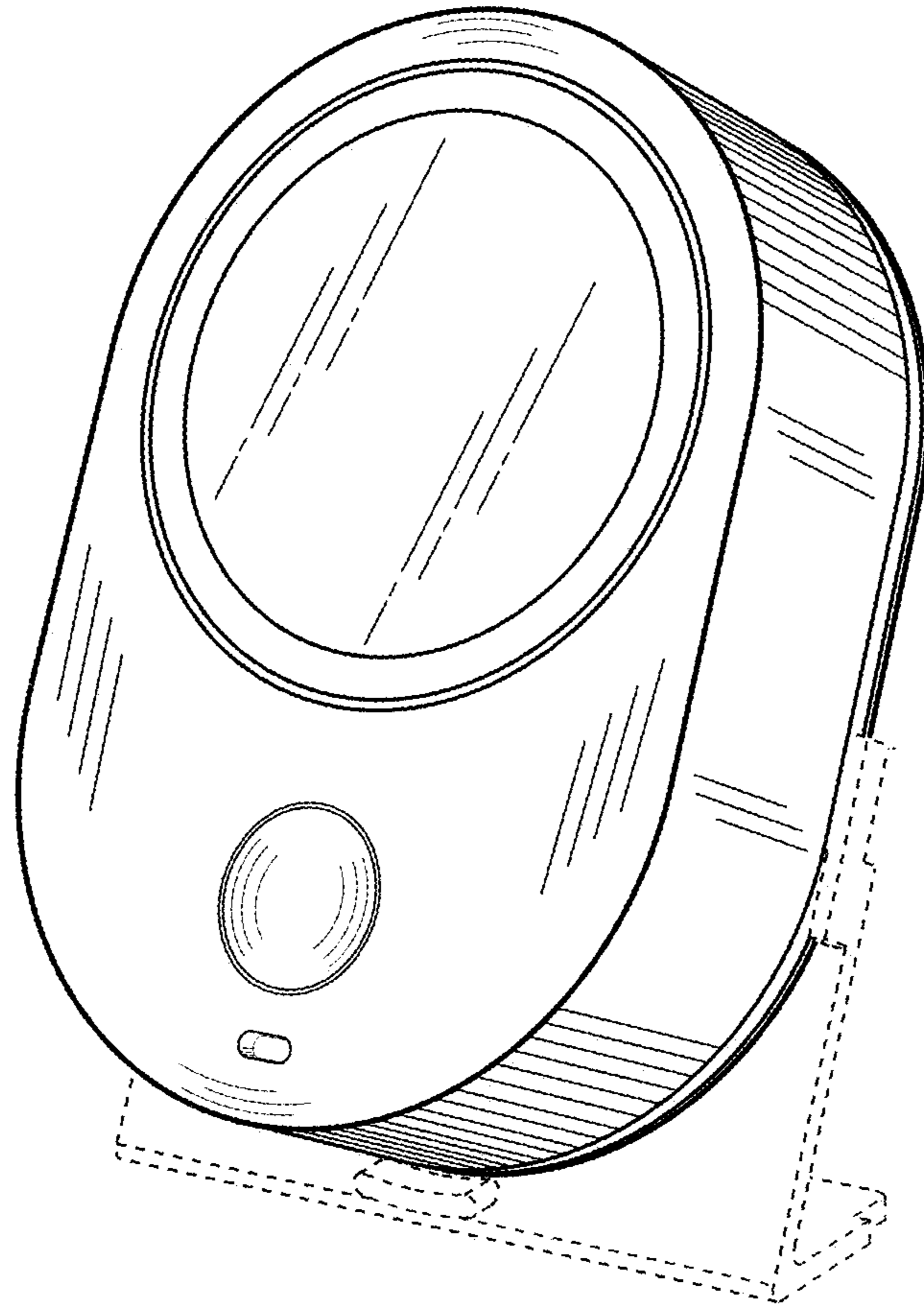


FIG. 11

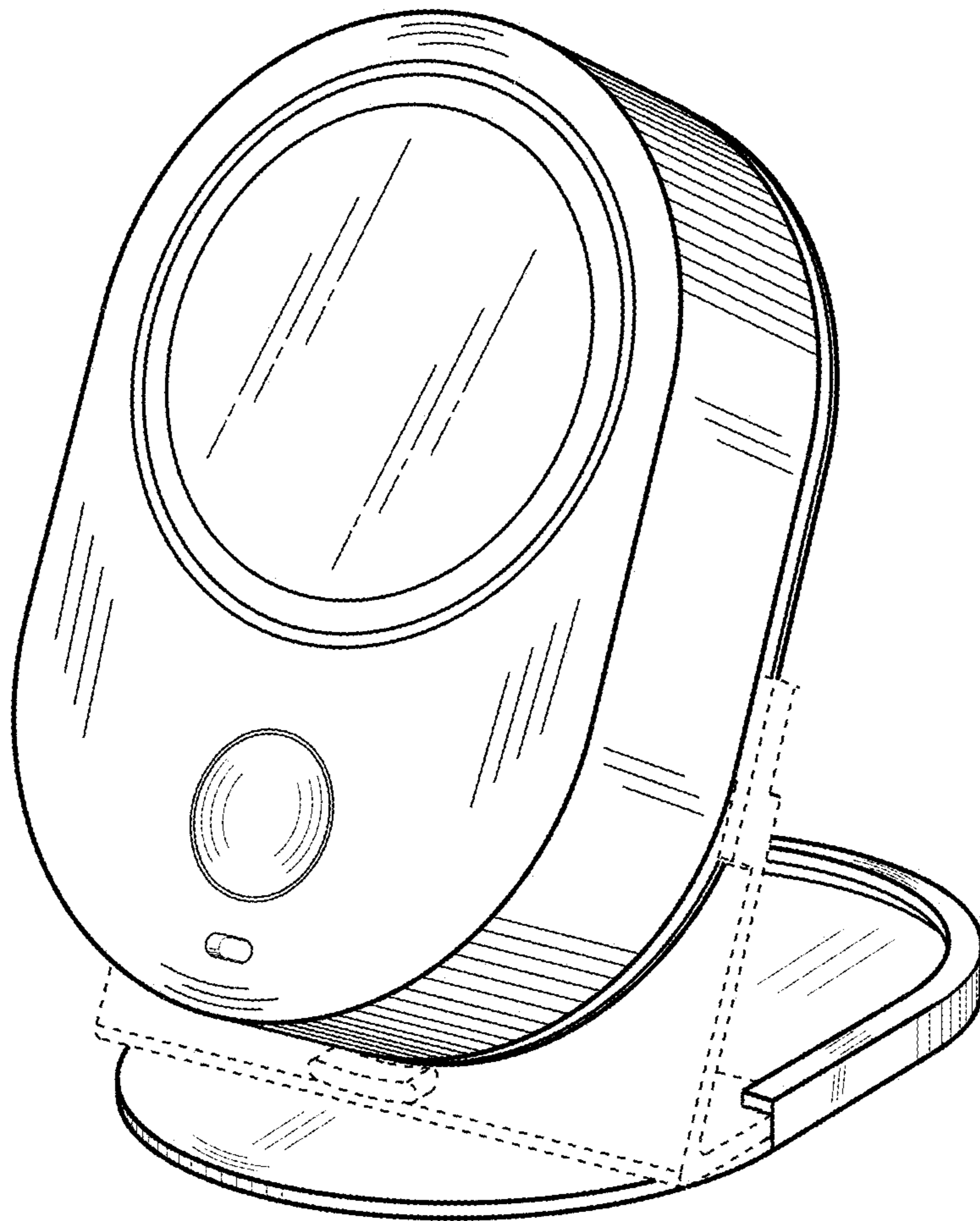


FIG. 12