



US00D883816S

(12) **United States Design Patent** (10) **Patent No.:** **US D883,816 S**
Klein et al. (45) **Date of Patent:** **** *May 12, 2020**

- (54) **BIOREACTOR CONTROLLER**
- (71) Applicant: **LIFE TECHNOLOGIES CORPORATION**, Carlsbad, CA (US)
- (72) Inventors: **Sandro Klein**, Irvine, CA (US); **Xin Mathers**, Poway, CA (US); **Wei Fuh Teo**, Singapore (SG)
- (73) Assignee: **Life Technologies Corporation**, Carlsbad, CA (US)
- (*) Notice: This patent is subject to a terminal disclaimer.
- (**) Term: **15 Years**
- (21) Appl. No.: **29/686,030**
- (22) Filed: **Apr. 2, 2019**

Related U.S. Application Data

- (62) Division of application No. 29/611,127, filed on Jul. 19, 2017, now Pat. No. Des. 849,568.
- (51) **LOC (12) Cl.** **10-04**
- (52) **U.S. Cl.**
USPC **D10/49**; D10/75; D13/162
- (58) **Field of Classification Search**
USPC D10/49, 75; D13/162, 162.1, 163, 164
CPC C12P 7/065; Y02E 50/17; C12M 41/22;
C12M 23/02; C12M 23/24; C12M 29/00;
C12M 41/14; C12M 41/26; C12M 41/34;
C12M 41/48; C12M 21/00; C12M 21/02;
C12M 21/04; C12M 21/06; C12M 21/08;
C12M 21/10; C12M 21/12; C12M 21/14;
C12M 21/16; C12M 21/18; C12M
231/00; C12M 23/52; C12M 23/54;
C12M 23/56; C12M 23/58; C12M 23/44;
C12Q 3/00; G05D 21/02; G05B 15/02

See application file for complete search history.

- (56) **References Cited**
U.S. PATENT DOCUMENTS
D251,114 S * 2/1979 Potts D10/75
D293,173 S * 12/1987 Chester D13/163
D704,078 S * 5/2014 Mueller B01L 7/52
D10/49
2017/0072398 A1* 3/2017 Boo B01L 7/52

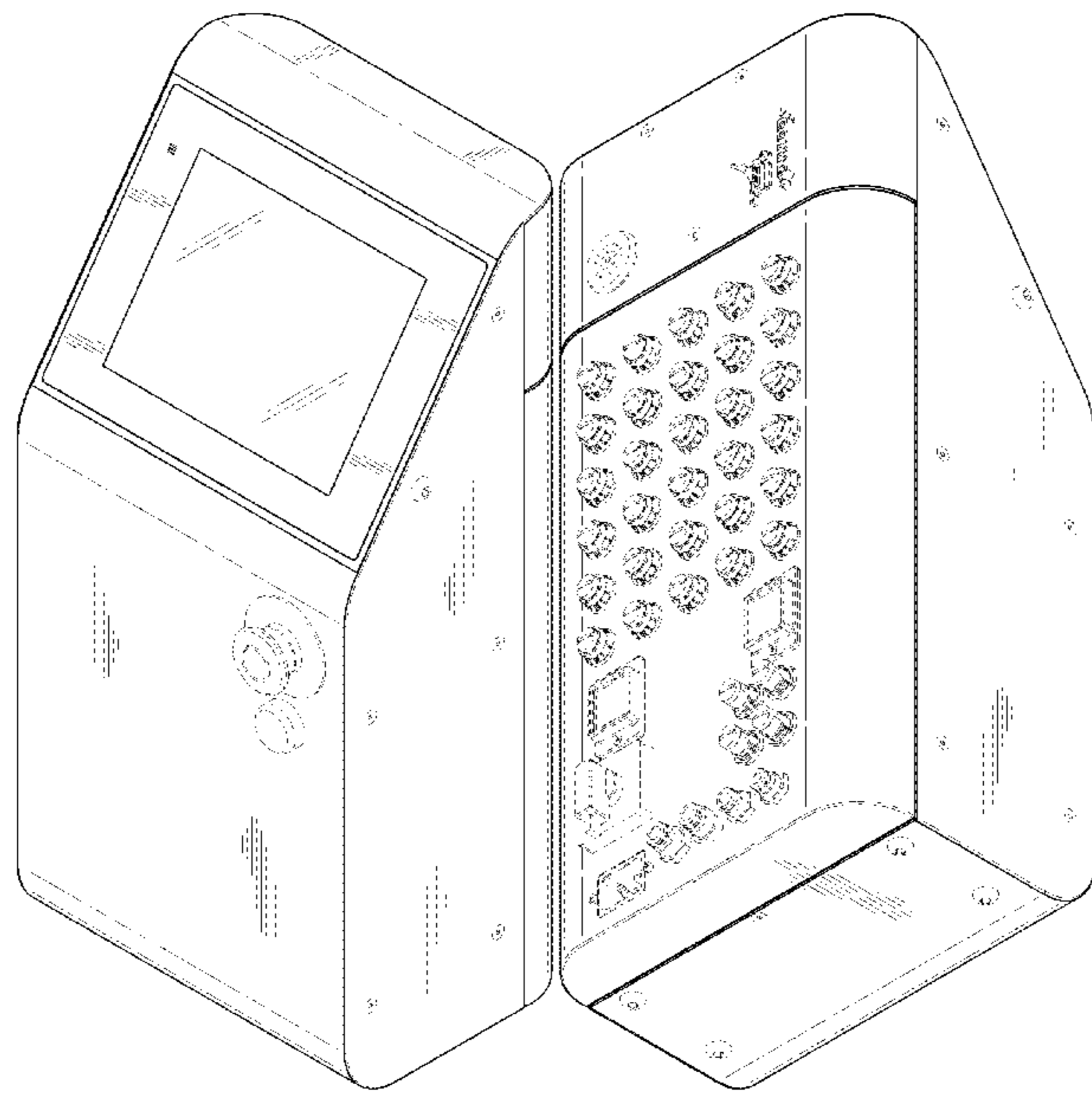
* cited by examiner
Primary Examiner — Antoine Duval Davis
(74) *Attorney, Agent, or Firm* — Workman Nydegger

(57) **CLAIM**
The ornamental design for a bioreactor controller, as shown and described.

DESCRIPTION

FIG. 1 is a front-perspective view of a embodiment of a bioreactor controller for our new design.
FIG. 2 is a rear-perspective view of a embodiment of a bioreactor controller for our new design.
FIG. 3 is a front view of an embodiment of a bioreactor controller for our new design.
FIG. 4 is a rear view of an embodiment of a bioreactor controller for our new design.
FIG. 5 is a right-side view of an embodiment of a bioreactor controller for our new design.
FIG. 6 is a left-side view of an embodiment of a bioreactor controller for our new design.
FIG. 7 is a top view of an embodiment of a bioreactor controller for our new design; and,
FIG. 8 is a bottom view of an embodiment of a bioreactor controller for our new design.
The portions of the features depicted in broken lines are not part of the claimed design.

1 Claim, 8 Drawing Sheets



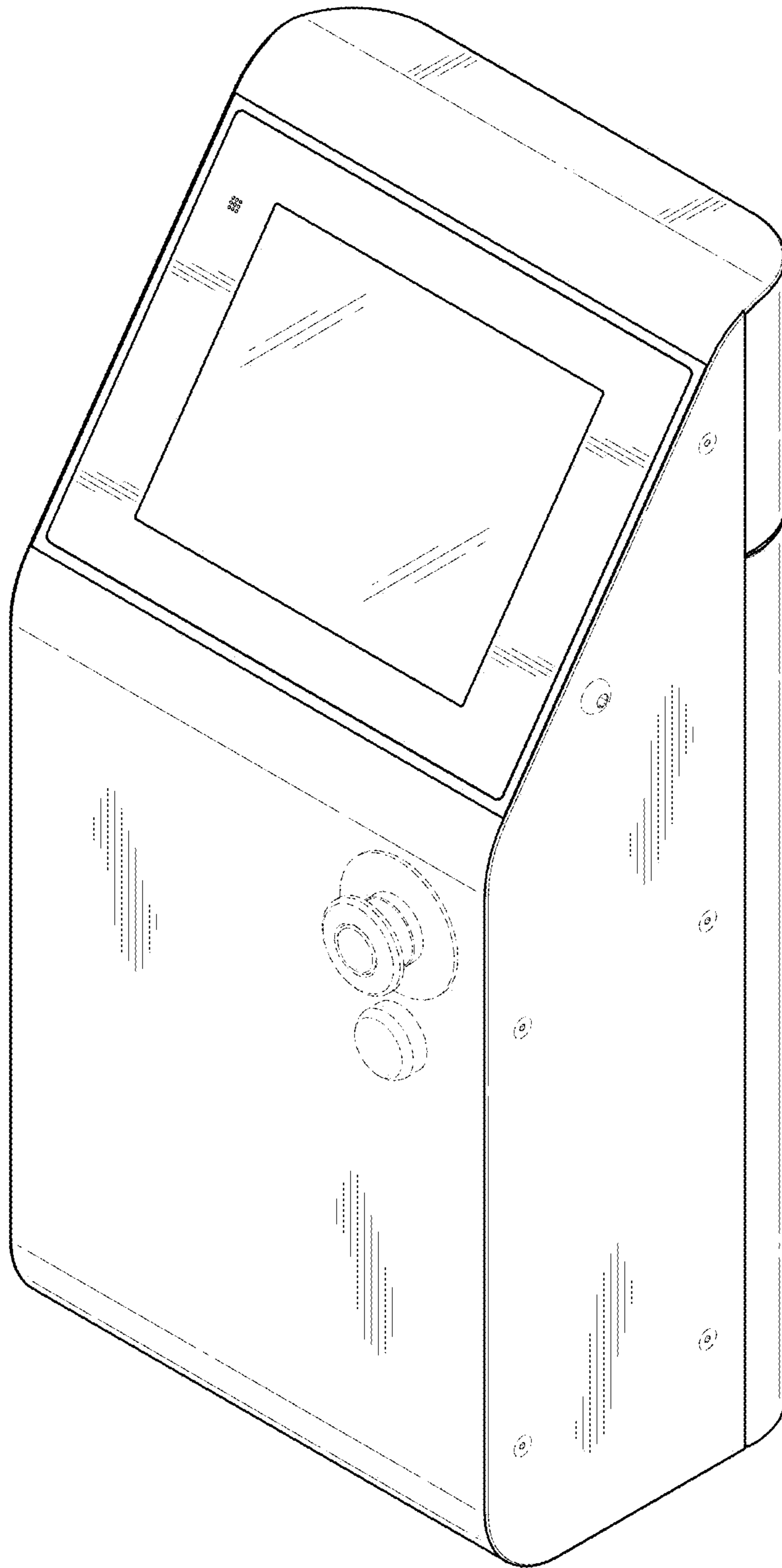


FIG. 1

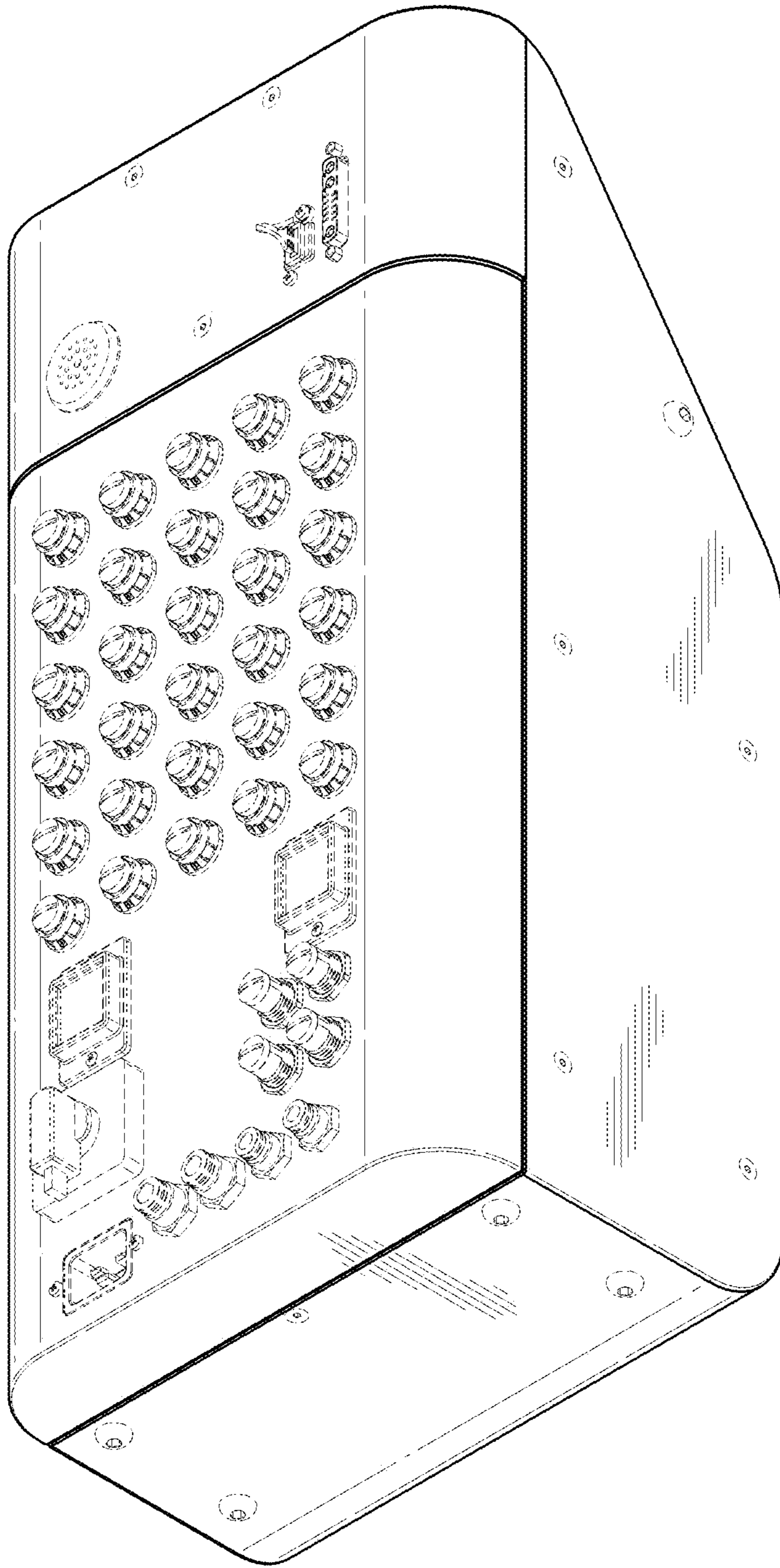


FIG. 2

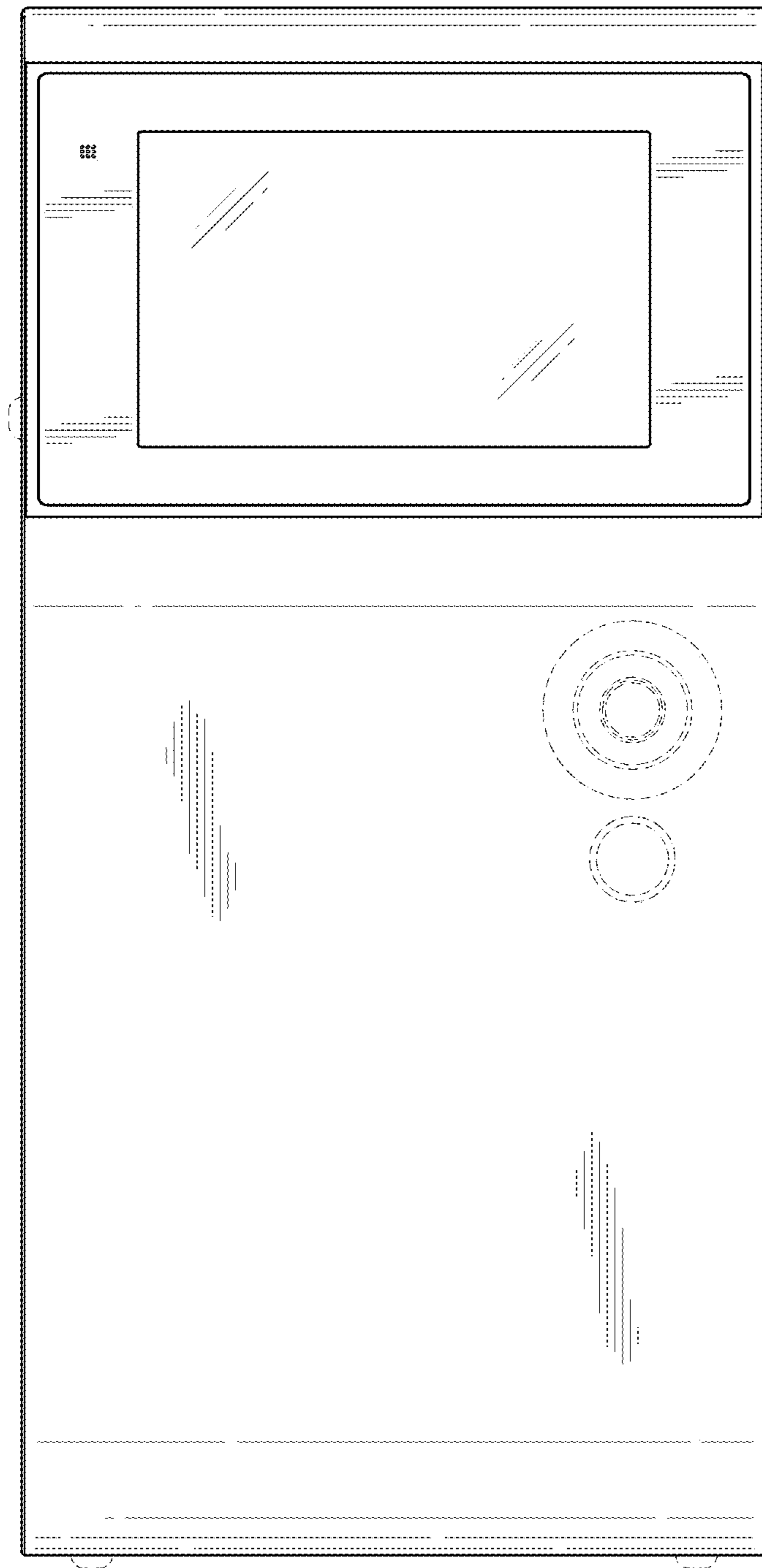


FIG. 3

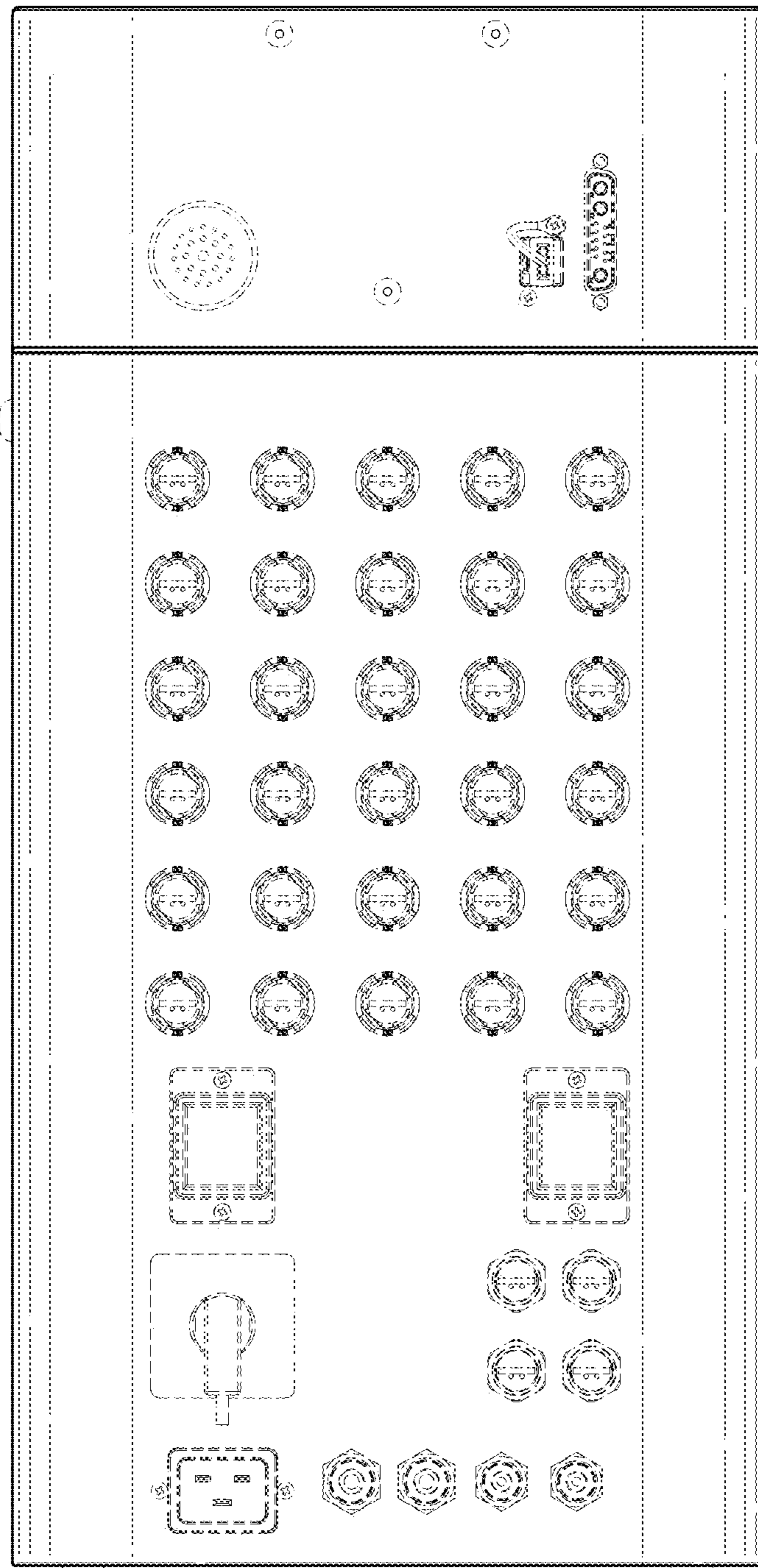


FIG. 4

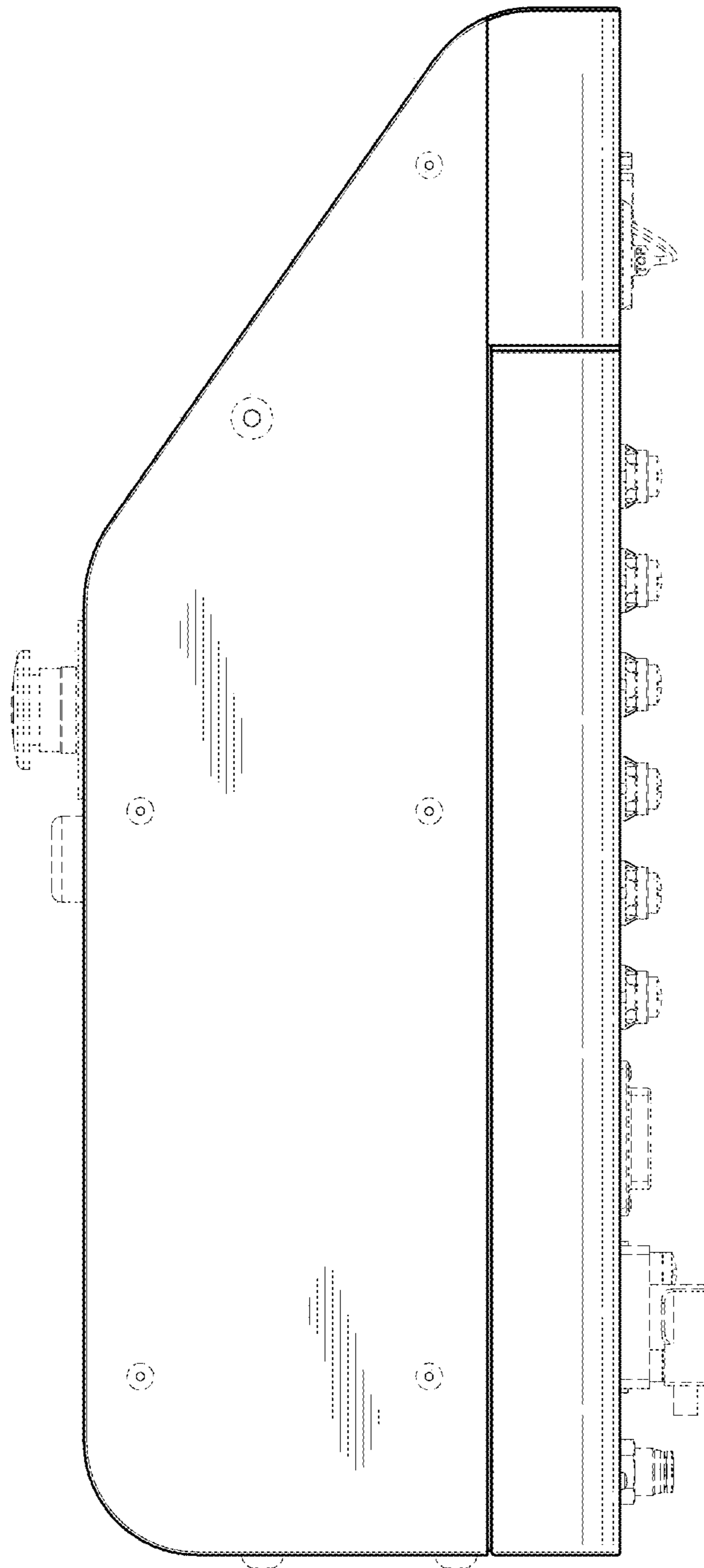


FIG. 5

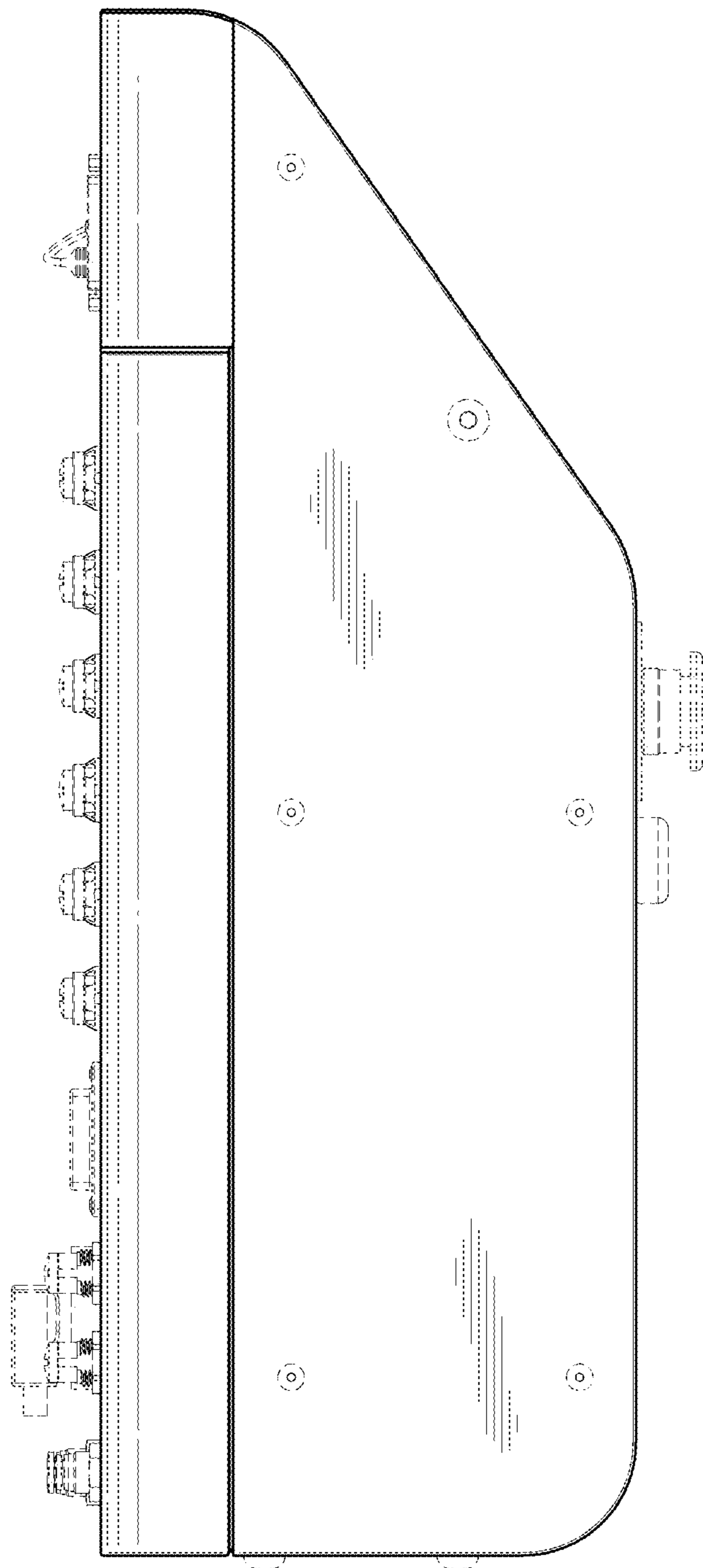


FIG. 6

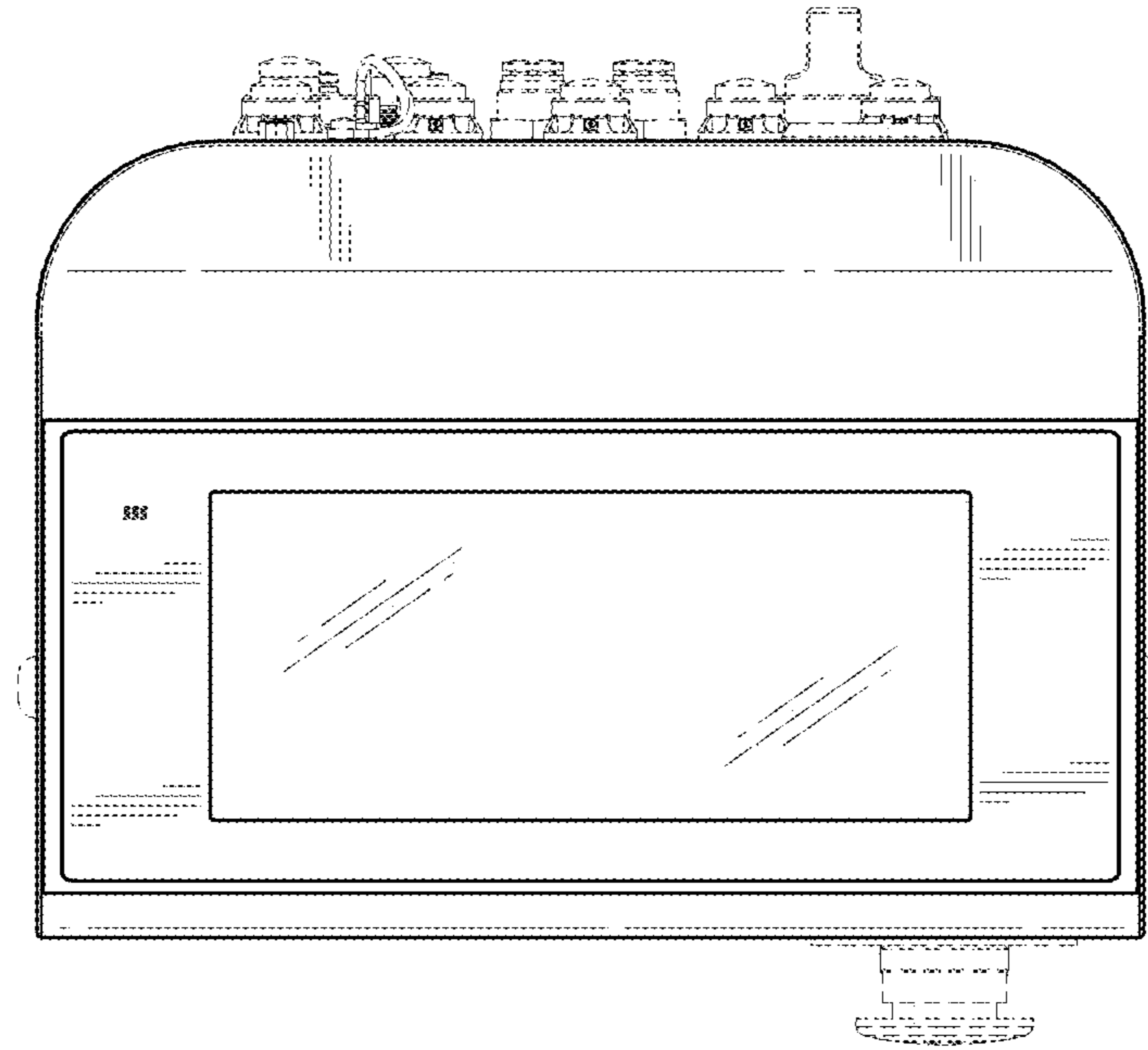


FIG. 7

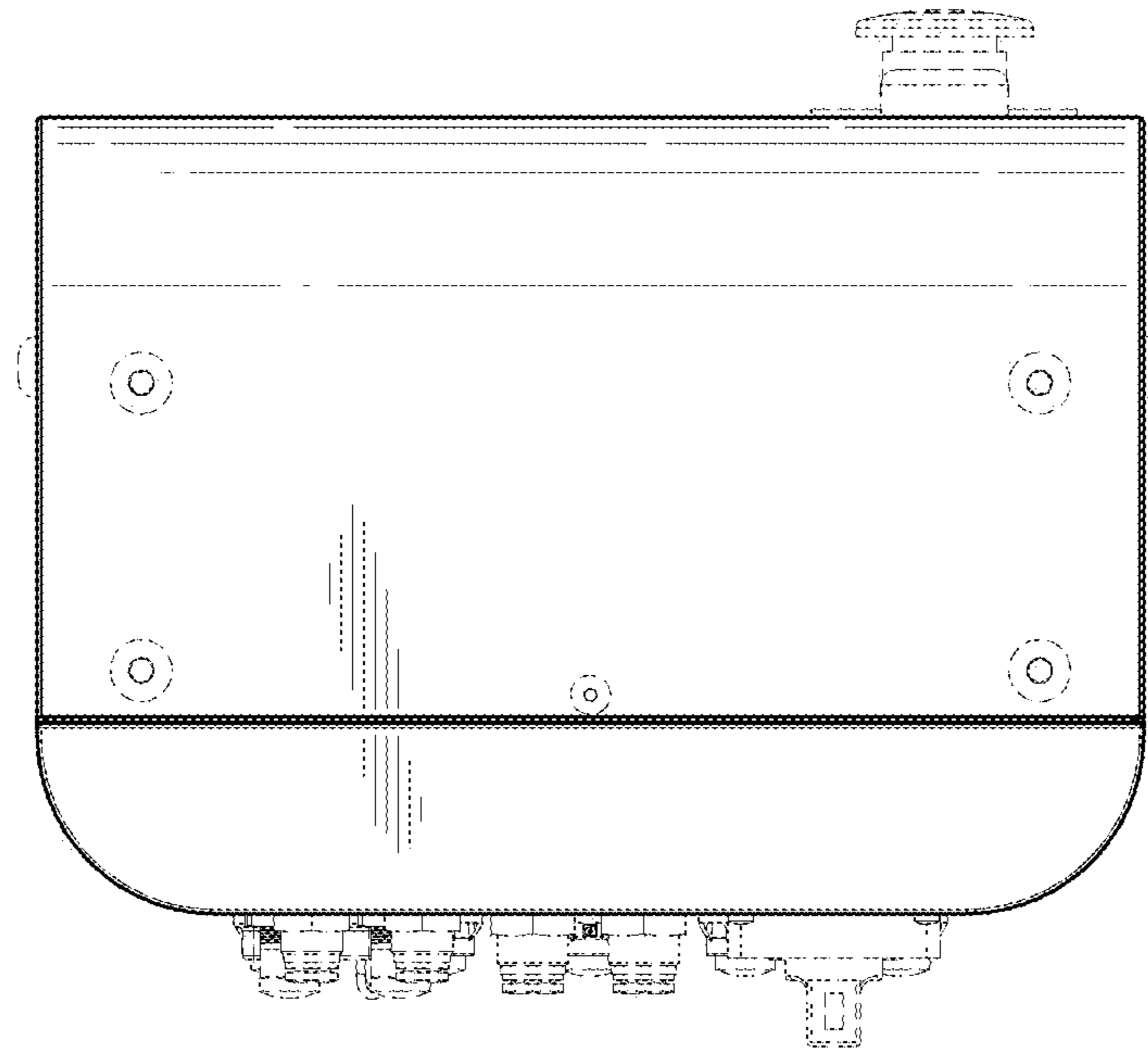


FIG. 8