



US00D883810S

(12) **United States Design Patent**
Duval

(10) **Patent No.:** **US D883,810 S**

(45) **Date of Patent:** **** May 12, 2020**

(54) **WATCH**

(71) Applicant: **SEVENFRIDAY AG, Zürich (CH)**

(72) Inventor: **Arnaud Duval, Bienne (CH)**

(**) Term: **15 Years**

(21) Appl. No.: **35/506,829**

(22) Filed: **Mar. 4, 2019**

(80) **Hague Agreement Data**

Int. Filing Date: **Mar. 4, 2019**

Int. Reg. No.: **DM/201087**

Int. Reg. Date: **Mar. 4, 2019**

Int. Reg. Pub. Date: **May 31, 2019**

(51) **LOC (12) Cl.** **10-02**

(52) **U.S. Cl.**
USPC **D10/39**

(58) **Field of Classification Search**
USPC **D10/38-39**
See application file for complete search history.

(56) **References Cited**

U.S. PATENT DOCUMENTS

D761,668 S * 7/2016 Duval D10/126
D801,197 S * 10/2017 Duval D10/39

D820,691 S * 6/2018 Duval D10/38
D825,352 S * 8/2018 Duval D10/38
D836,007 S * 12/2018 Duval D10/39
D856,166 S * 8/2019 Duval D10/39

FOREIGN PATENT DOCUMENTS

CN 201530157361 * 12/2015

* cited by examiner

Primary Examiner — George D. Kirschbaum

(57) **CLAIM**

The ornamental design for watch, as shown and described.

DESCRIPTION

- 1. Watch
- 1.1 is a front view.
- 1.2 is a rear view.
- 1.3 is a rear perspective view.
- 1.4 is a front perspective view.
- 1.5 is a left side view.
- 1.6 is a right side view.
- 1.7 is a bottom view.
- 1.8 is a top view.

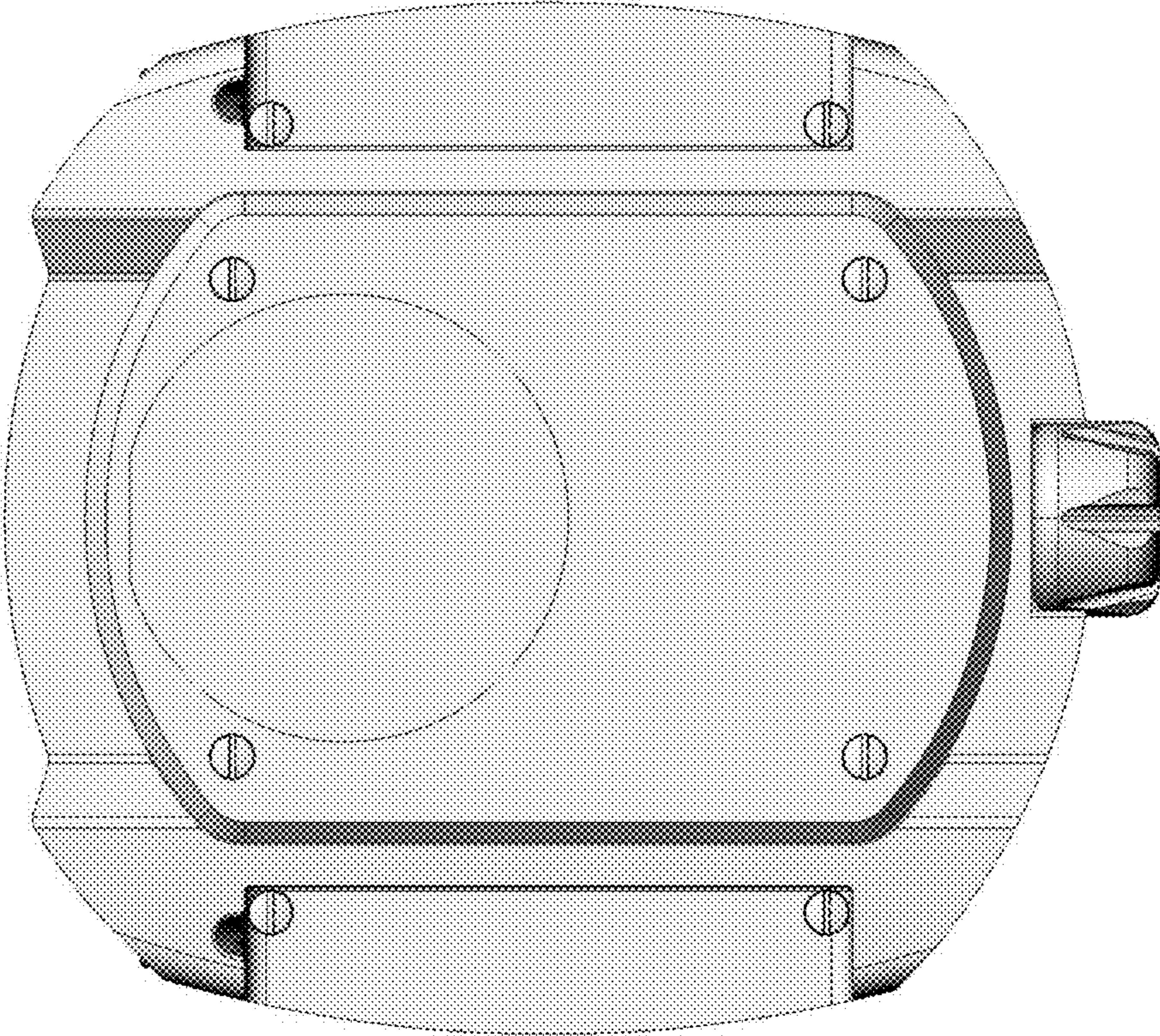
1 Claim, 8 Drawing Sheets



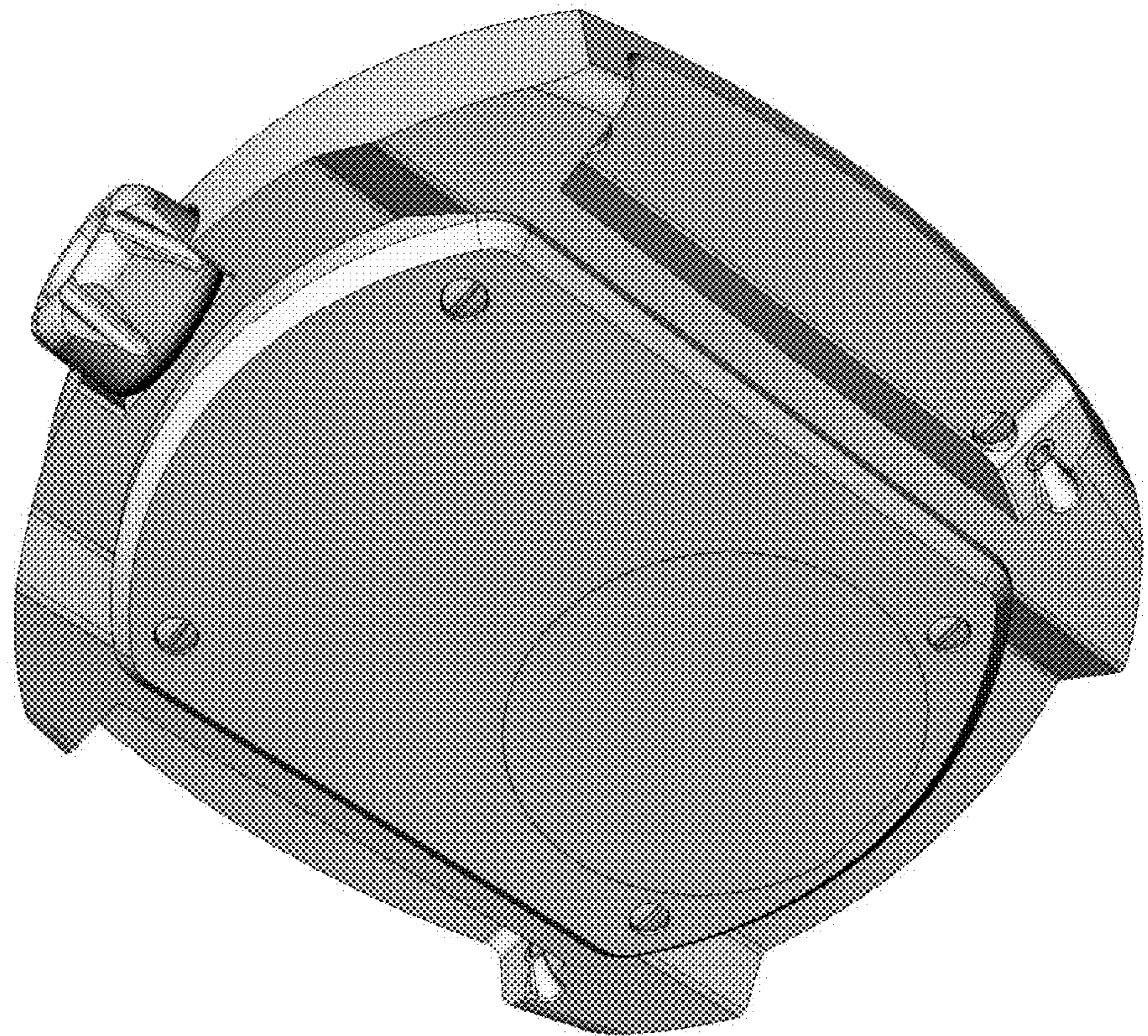
1.1



1.2



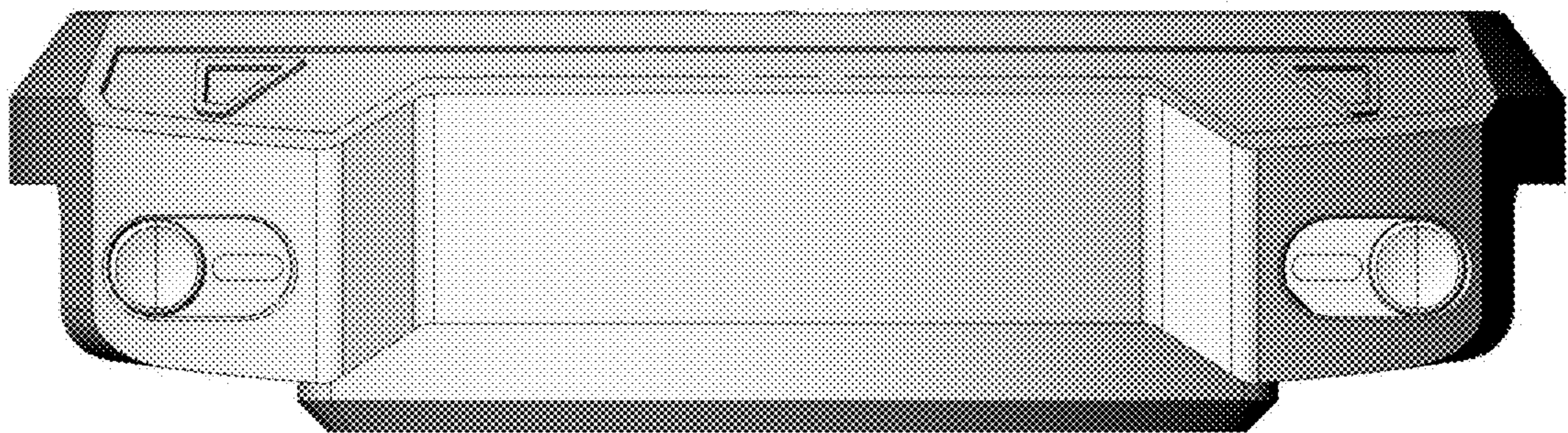
1.3



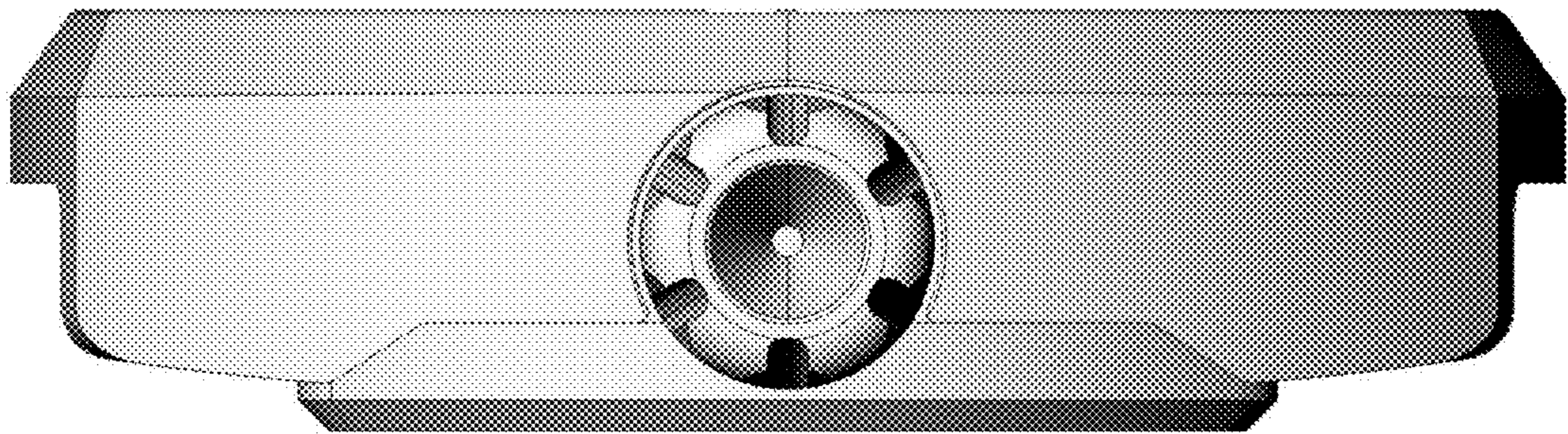
1.4



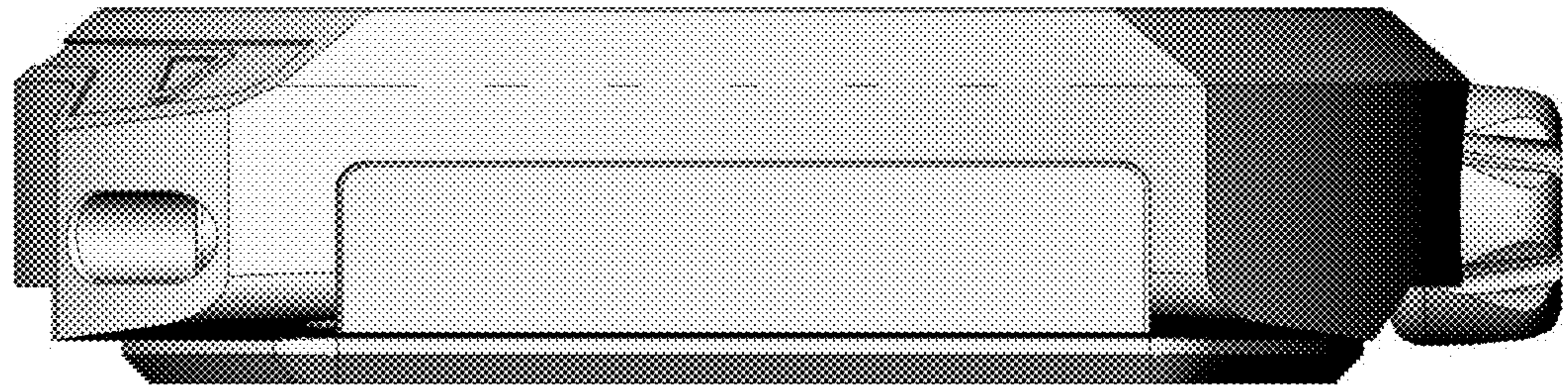
1.5



1.6



1.7



1.8

