



US00D883809S

(12) **United States Design Patent** (10) **Patent No.:** **US D883,809 S**  
**Bode** (45) **Date of Patent:** **\*\* May 12, 2020**

(54) **WATCH**

(71) Applicant: **Lange Uhren GmbH**, Glashutte (DE)

(72) Inventor: **Nils Bode**, Hannover (DE)

(73) Assignee: **Lange Uhren GmbH**, Glashutte (DE)

(\*\*) Term: **15 Years**

(21) Appl. No.: **29/666,443**

(22) Filed: **Oct. 12, 2018**

(30) **Foreign Application Priority Data**

Apr. 16, 2018 (WO) ..... DM/100709

(51) **LOC (12) Cl.** ..... **10-02**

(52) **U.S. Cl.**  
USPC ..... **D10/39**

(58) **Field of Classification Search**  
USPC ..... D10/1-2, 22, 30-39, 40-41, 122-126,  
D10/129, 132

CPC ..... G04B 19/00; G04B 19/02; G04B 19/025;  
G04B 19/04; G04B 19/042; G04B  
19/044; G04B 19/046; G04B 19/23;  
G04B 19/18; G04B 19/06; G04B 19/065;  
G04B 19/08; G04B 19/082; G04B  
19/085; G04B 19/087; G04B 19/10;  
G04B 19/103; G04B 19/106; G04B  
19/12; G04B 19/166; G04B 19/20; G04B  
19/22; G04B 19/262; G04B 19/264;  
G04B 19/24; G04B 19/241; G04B  
19/243; G04B 19/24306; G04B 19/24313;  
G04B 19/2432; G04B 37/00; G04B  
37/008; G04B 45/00; G04B 45/0069;  
G04B 45/0076; G04B 47/00; G04B  
47/048; G04B 5/04; G04B 5/06; G04B  
5/08; G04B 5/10; G04B 5/12; G04B  
5/14; G04B 5/16; G04B 5/18; G09B  
19/12; G07C 1/28

See application file for complete search history.

(56) **References Cited**

U.S. PATENT DOCUMENTS

D368,664	S	*	4/1996	Schick	.....	D10/30
D412,124	S	*	7/1999	Luscher	.....	D10/32
D455,971	S	*	4/2002	Yamamoto	.....	D10/39
D506,685	S	*	6/2005	Yamamoto	.....	D10/32
D564,370	S	*	3/2008	Bove	.....	D10/38
D581,811	S	*	12/2008	Messmer	.....	D10/32
D621,736	S	*	8/2010	Duport	.....	D10/126
D650,705	S	*	12/2011	Blank	.....	D10/32
D659,025	S	*	5/2012	Yurman	.....	D10/32
D672,665	S	*	12/2012	Deleskiewicz	.....	D10/38
D673,866	S	*	1/2013	Duport	.....	D10/32

(Continued)

OTHER PUBLICATIONS

A Lange Sohne Odysseus I posted at hodinkee.com Oct. 2019 [online]. © 2009-2019, Hodinkee Inc [retrieved Dec. 9, 2019] from Internet: <<https://www.hodinkee.com/articles/introducing-the-lange-odysseus>> (Year: 2019).\*

*Primary Examiner* — Sandra S Snapp  
*Assistant Examiner* — Katherine Glennon  
(74) *Attorney, Agent, or Firm* — Taft Stettinius & Hollister LLP

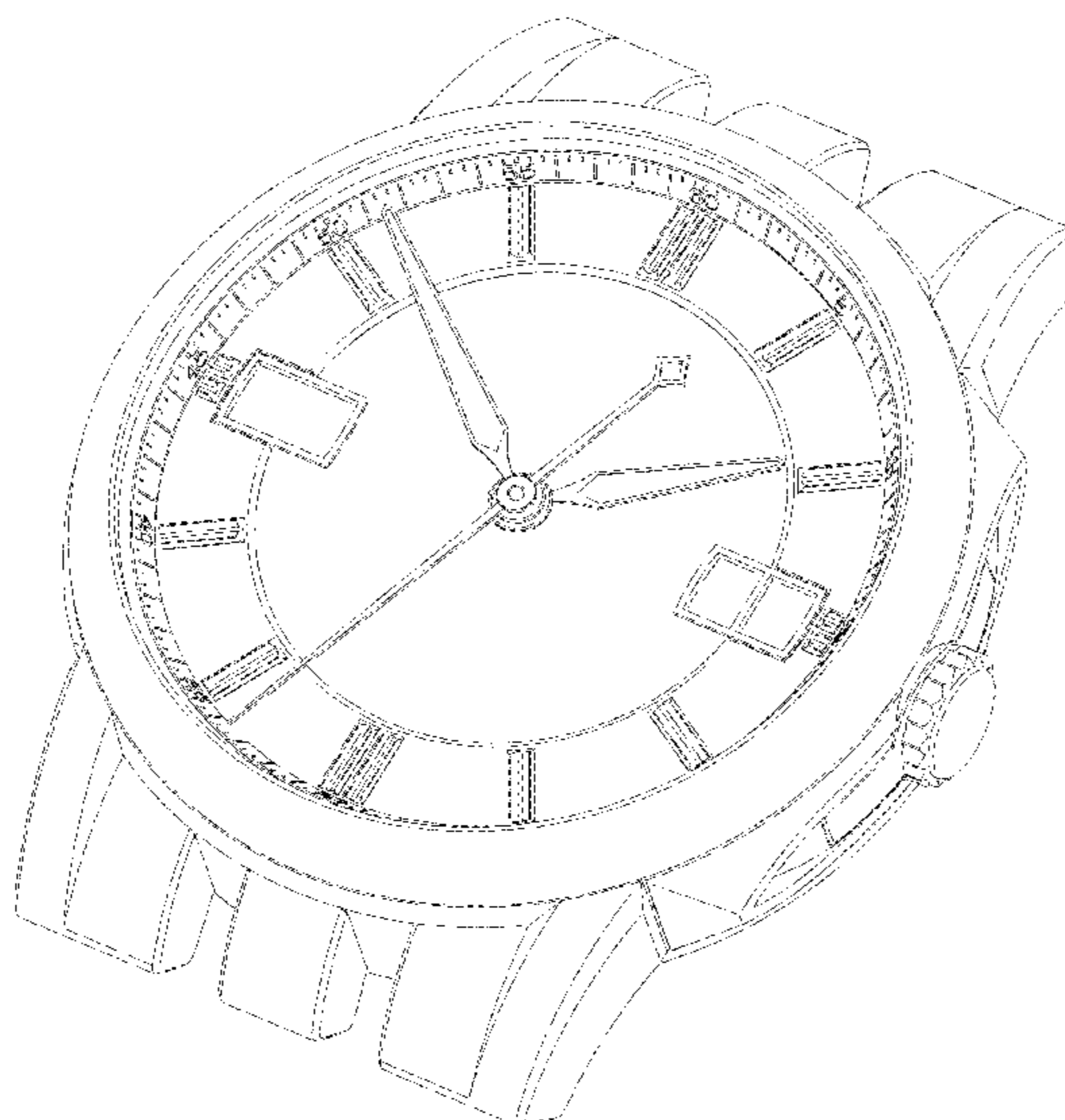
(57) **CLAIM**

The ornamental design for a watch, as shown and described.

**DESCRIPTION**

FIG. 1 is a front elevational view of a watch showing my new design;  
FIG. 2 is a back elevational view thereof;  
FIG. 3 is a right side elevational view thereof;  
FIG. 4 is a left side elevational view thereof;  
FIG. 5 is a bottom plan view thereof;  
FIG. 6 is a top plan view thereof;  
FIG. 7 is a front, right side perspective view thereof; and,  
FIG. 8 is a back, left side perspective view thereof.

**1 Claim, 8 Drawing Sheets**



(56)

**References Cited**

U.S. PATENT DOCUMENTS

D697,823 S \* 1/2014 Mijatovic ..... D10/32  
9,268,309 B2 \* 2/2016 Karsch ..... G04B 19/268  
D775,973 S \* 1/2017 Kamata ..... D10/38  
D784,166 S \* 4/2017 Kishino ..... D10/38  
D797,577 S \* 9/2017 Kauffmann ..... D10/30  
D816,529 S \* 5/2018 Bode ..... D10/126  
9,971,307 B1 \* 5/2018 Ting ..... G08B 25/016  
D840,844 S \* 2/2019 Le Bot ..... D10/39  
D849,564 S \* 5/2019 Behling ..... D10/32  
D860,032 S \* 9/2019 Schetter ..... D10/126  
D866,353 S \* 11/2019 Tinguely ..... D10/39  
2014/0169143 A1 \* 6/2014 Kobayashi ..... G04B 37/05  
368/276  
2017/0242401 A1 \* 8/2017 White ..... G04B 37/08

\* cited by examiner

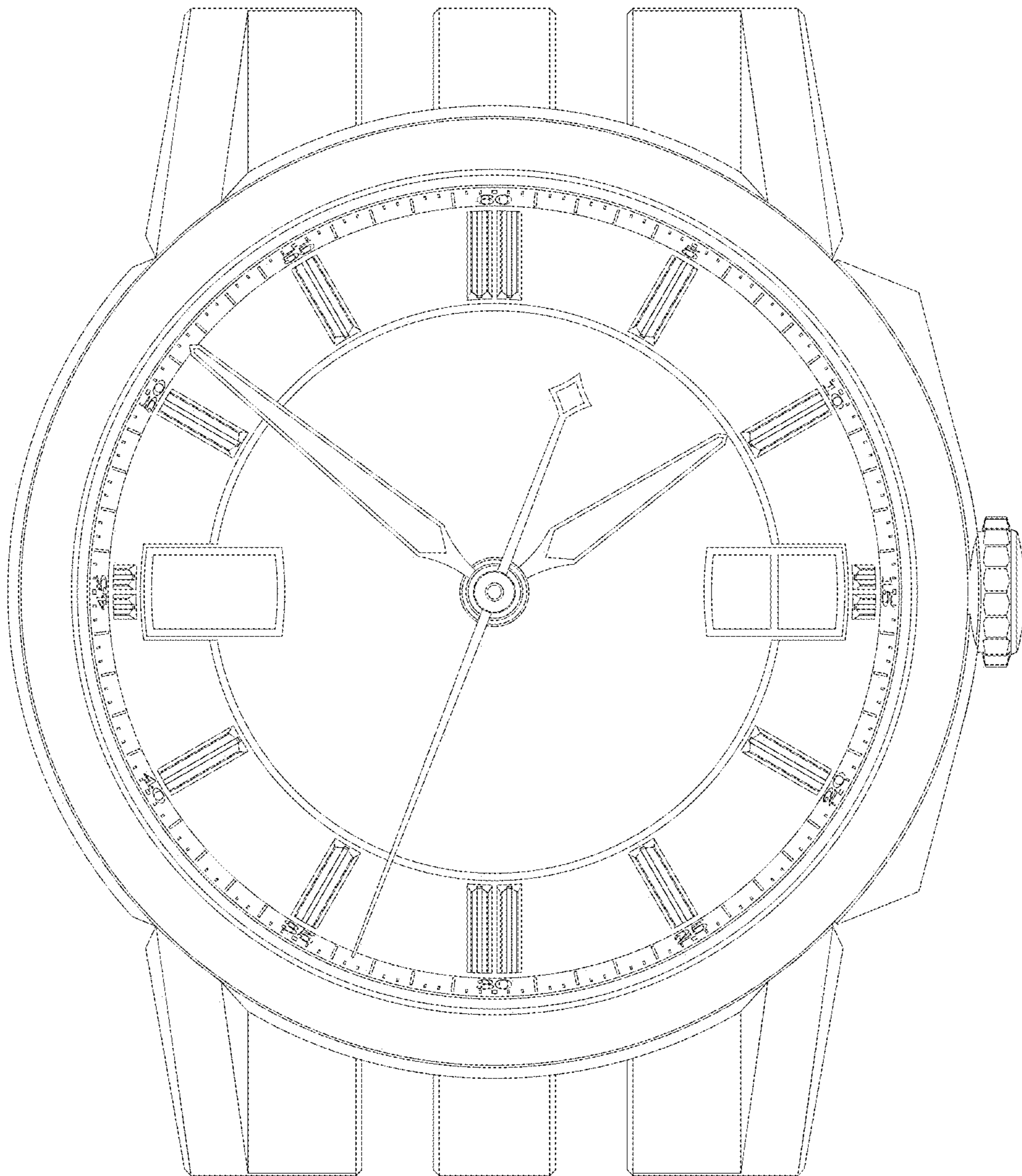


Fig. 1

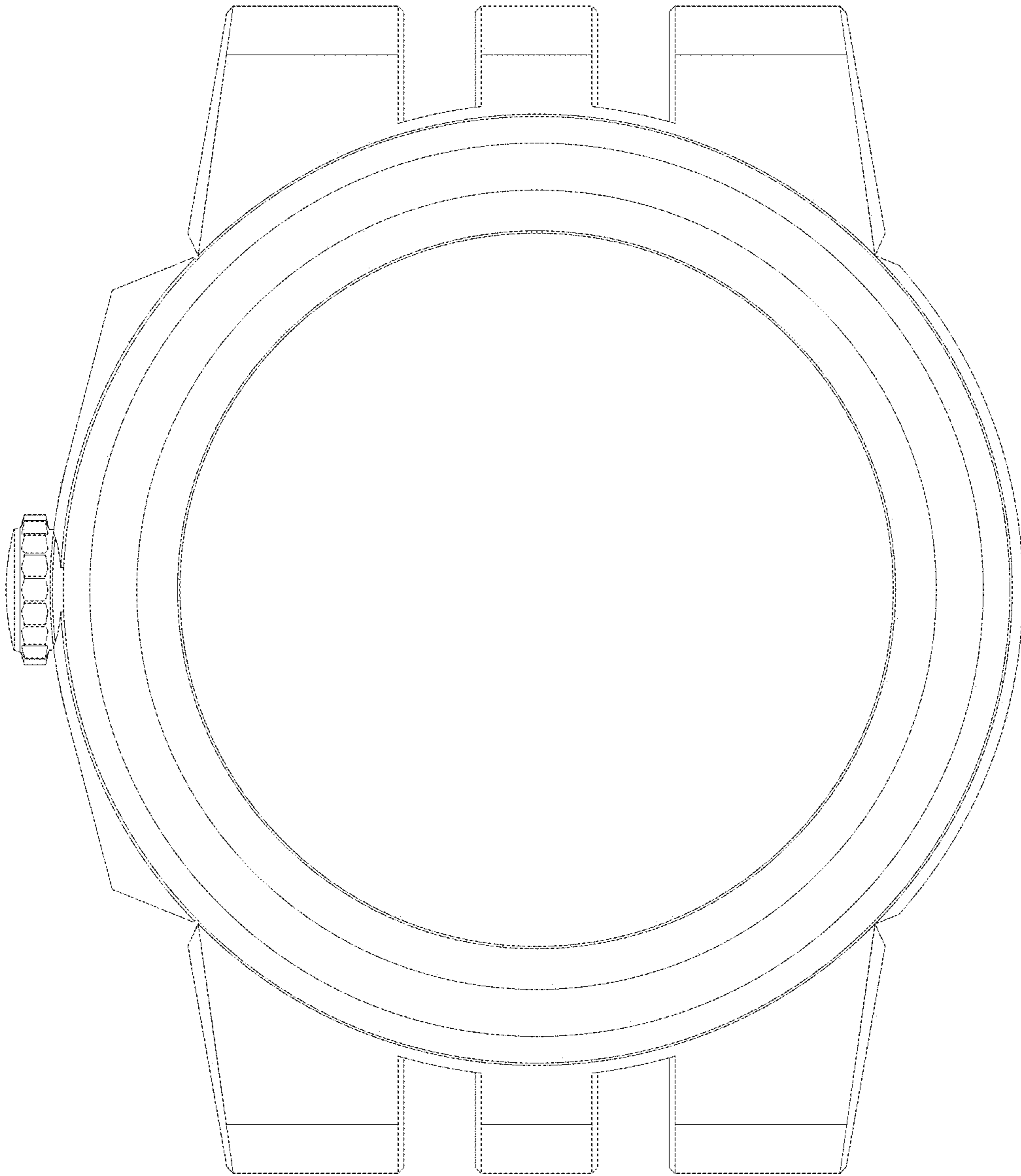


Fig. 2

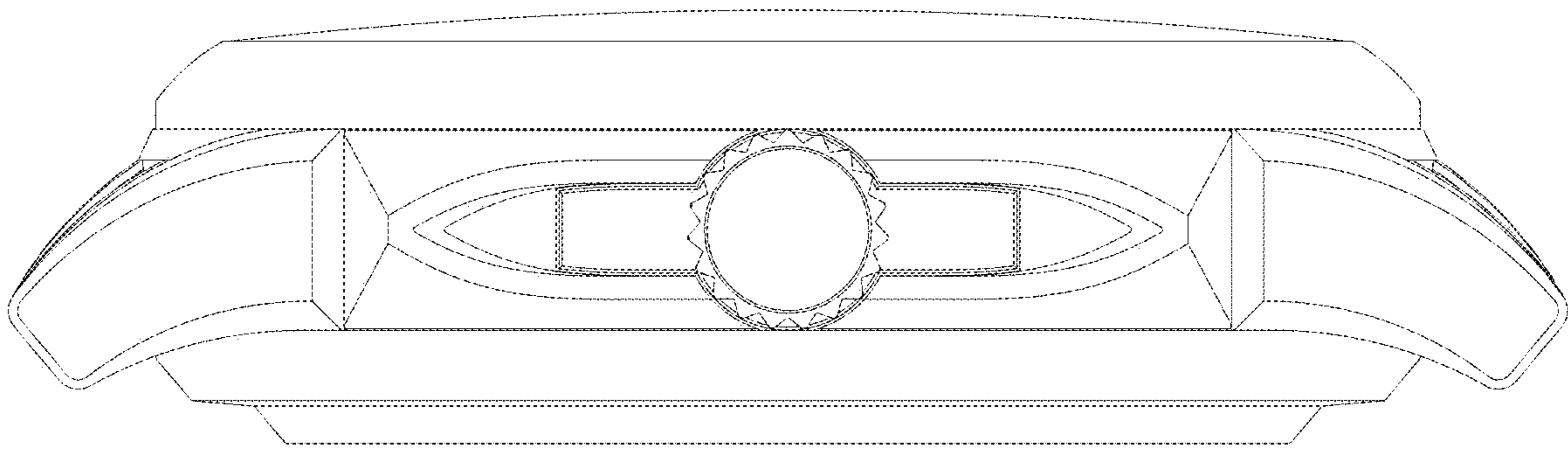


Fig. 3

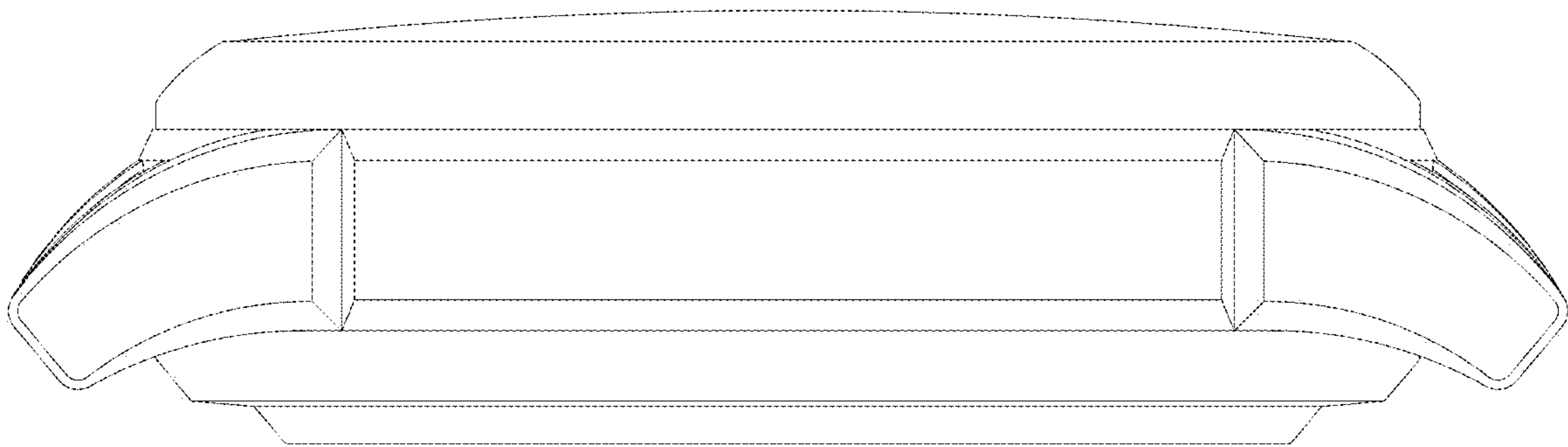


Fig. 4

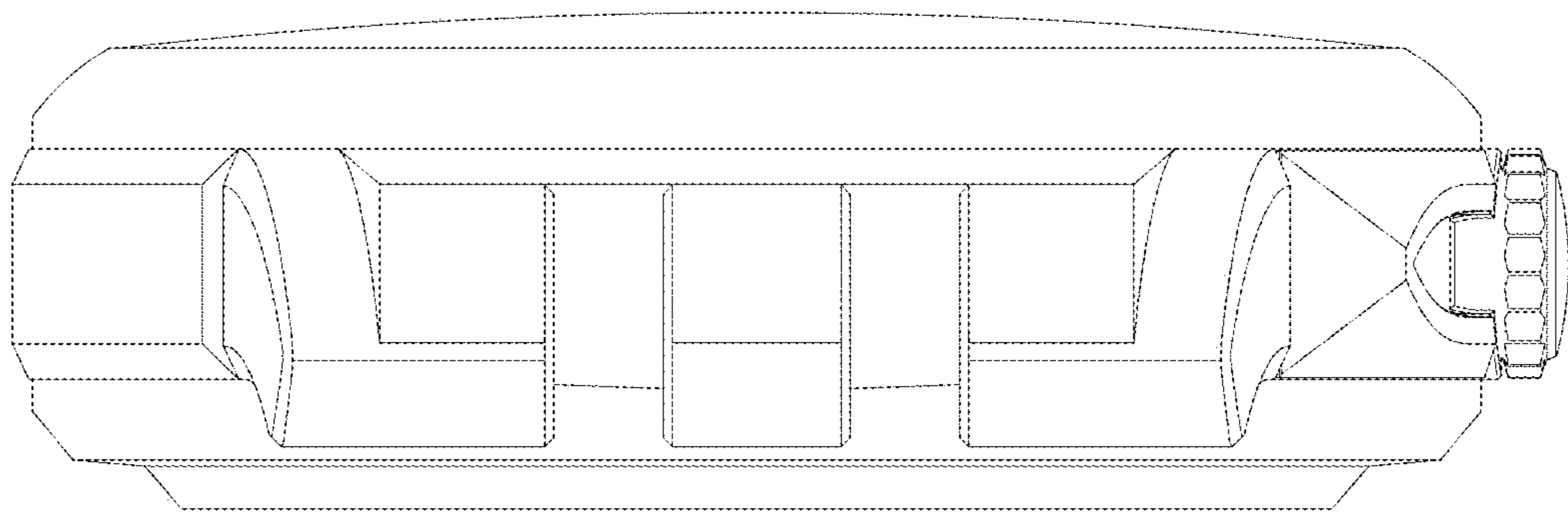


Fig. 5

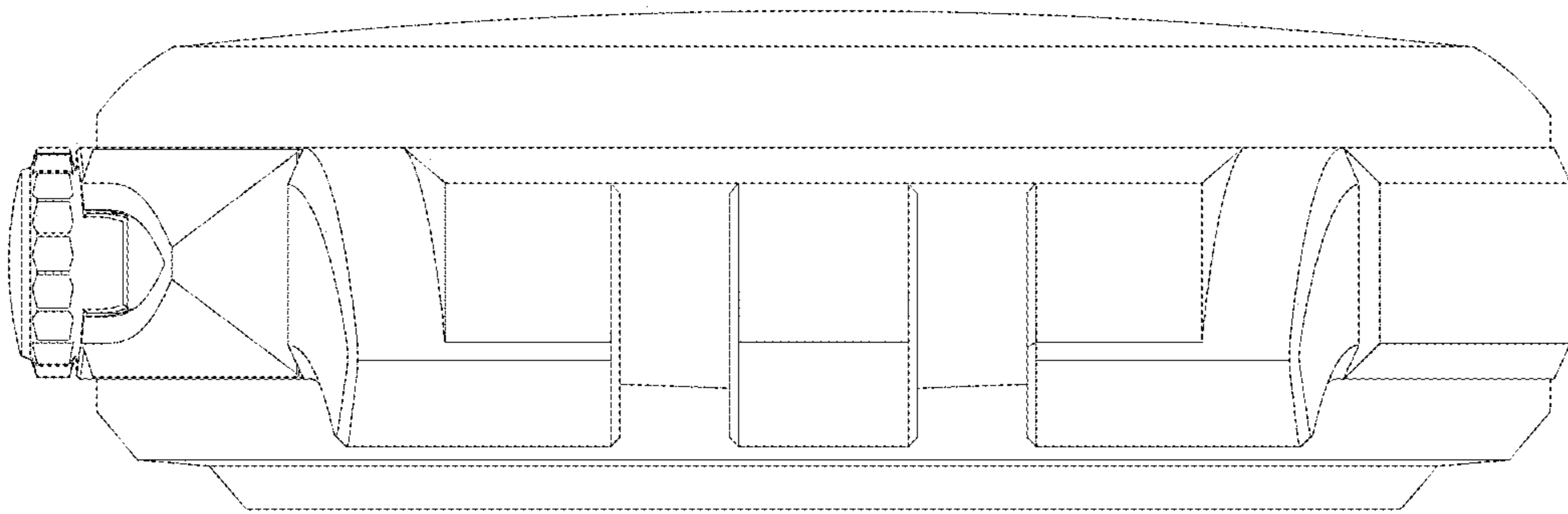


Fig. 6



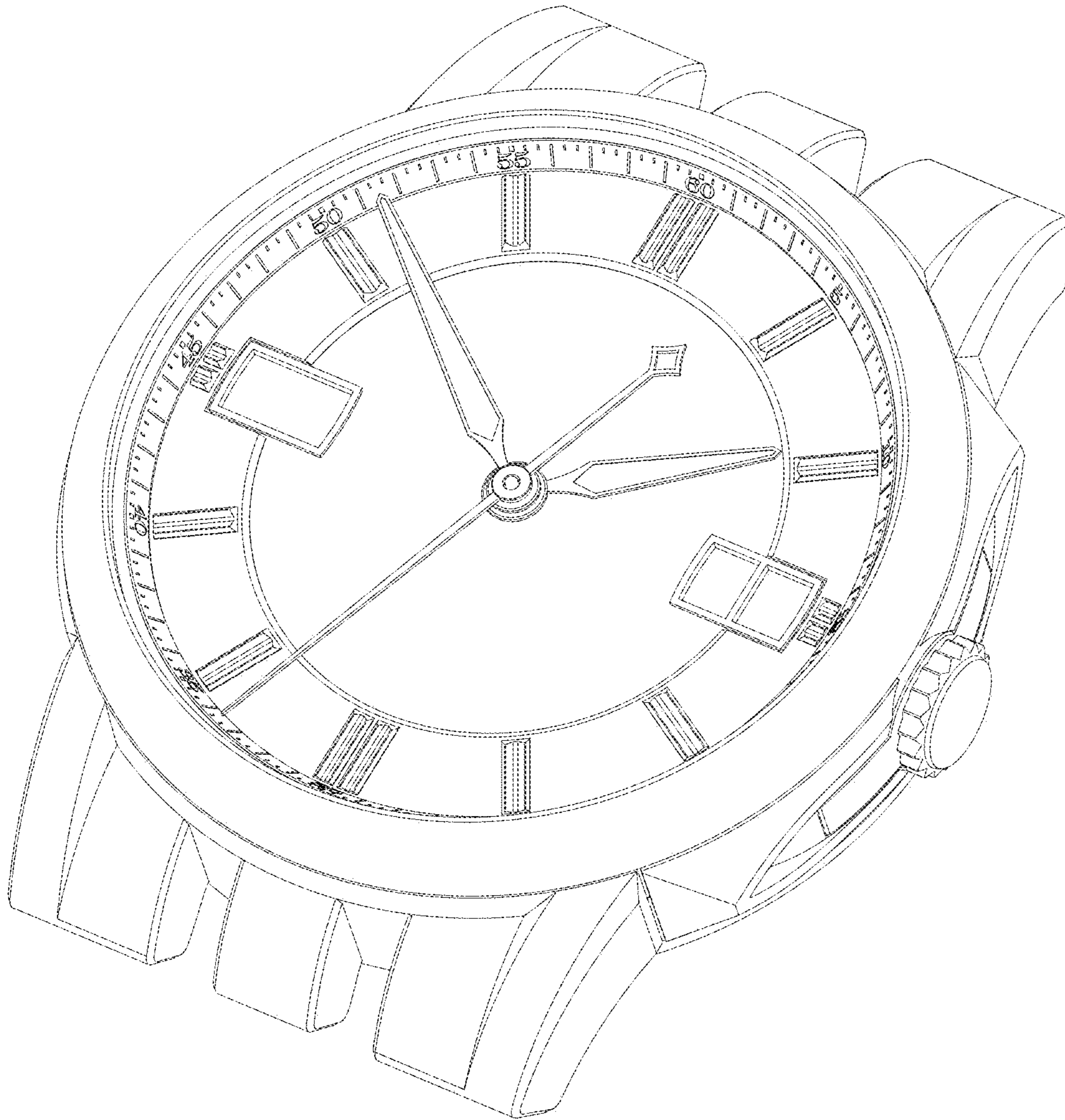


Fig. 7

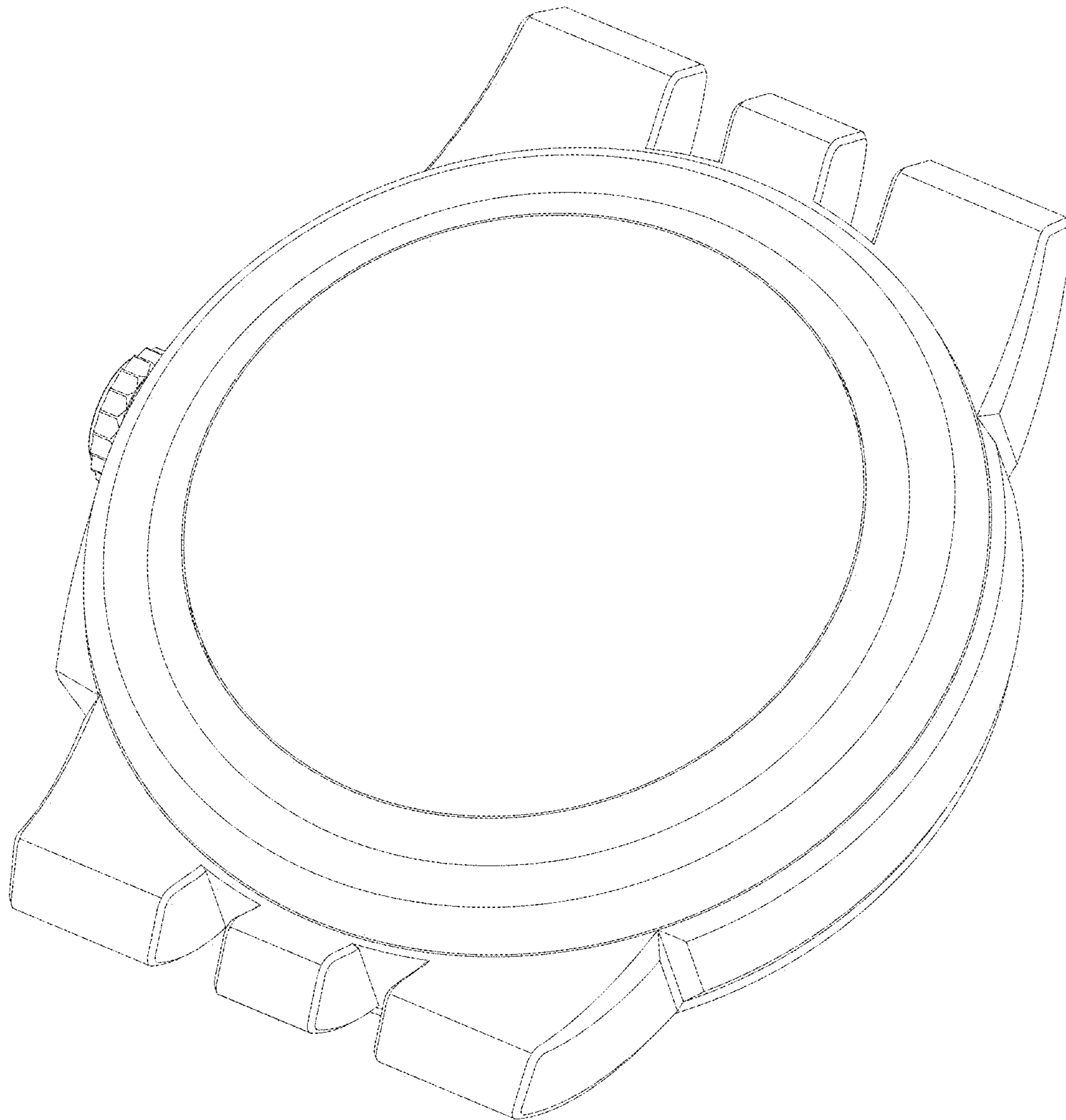


Fig. 8