



US00D883804S

(12) **United States Design Patent**
Petrosian et al.

(10) **Patent No.:** **US D883,804 S**

(45) **Date of Patent:** **** May 12, 2020**

- (54) **MEDICAL PACKAGING TRAY**
- (71) Applicant: **AMGEN INC.**, Thousand Oaks, CA (US)
- (72) Inventors: **Sasoon Petrosian**, Tarzana, CA (US);
Kay Diehnelt, Glendale, CA (US);
Jasmine Malvar, Woodland Hills, CA (US)
- (73) Assignee: **AMGEN INC.**, Thousand Oaks, CA (US)
- (**) Term: **15 Years**
- (21) Appl. No.: **29/610,719**
- (22) Filed: **Jul. 14, 2017**
- (51) **LOC (12) Cl.** **09-03**
- (52) **U.S. Cl.**
USPC **D9/756**; D24/229
- (58) **Field of Classification Search**
USPC D9/341, 347, 414-432, 440, 444, 447,
D9/449-454, 503, 504, 737, 759, 761,
D9/456; D7/672, 601, 550.1, 551.1,
D7/551.2, 551.3, 552.1, 552.2, 553.1,
D7/553.2, 553.4, 553.5, 553.7, 553.8,
D7/554.1, 554.3, 555, 557, 602, 629, 630,
D7/538-542, 612-615, 584, 586, 587,
D7/392.1, 709, 502, 608, 622, 701, 703,
D7/543-549, 317-319, 391, 392, 396.2,
D7/510, 511; D3/273, 201-206, 276,
D3/283, 284, 295, 274, 302; D11/143,
D11/155; 220/575, 500, 505-507, 523,
220/553, 555, 556, 23.4, 23.6; 206/216,
206/217, 541-550, 518, 557, 558, 561,
206/564, 223, 467, 565, 524.8; 229/107,
229/406, 120, 125.17; 249/126, 134;
426/106; 215/211, 200, 224, 243;
D24/226, 227, 229; 53/467
CPC B65D 85/34; B65D 85/345; B65D 43/161;
B65D 43/162; B65D 43/16; B65D 51/28;
B65D 2543/00194; B65D 2543/00296;
B65D 1/24; B65D 21/0237; B65D
2543/00101; B65D 2543/00351; B65D
1/36; B65D 2543/00555; B65D
2581/3425; B65D 25/04; B65D 43/0218;
B65D 2543/00083; B65D 2543/00268;

B65D 2543/00277; B65D 81/3453; B65D
81/133; B65D 1/34; B65D 25/107; B65D
5/503; B65D 71/70; B65D 81/022; B65D
5/06; A47G 19/02; A47G 19/065; A47G
23/0608; A47G 23/06; B65B 5/06; B65B
5/068; A61J 1/16; A61M 5/002; A61M
2209/06

See application file for complete search history.

(56) **References Cited**

U.S. PATENT DOCUMENTS

D322,707 S * 12/1991 Iverson D11/156
6,820,743 B2 * 11/2004 Hurley B65D 81/133
206/427

(Continued)

FOREIGN PATENT DOCUMENTS

EM 004549111-0001 * 7/2017
Primary Examiner — W. A. Teddy Falloway
(74) *Attorney, Agent, or Firm* — Marshall, Gerstein &
Borun LLP

(57) **CLAIM**

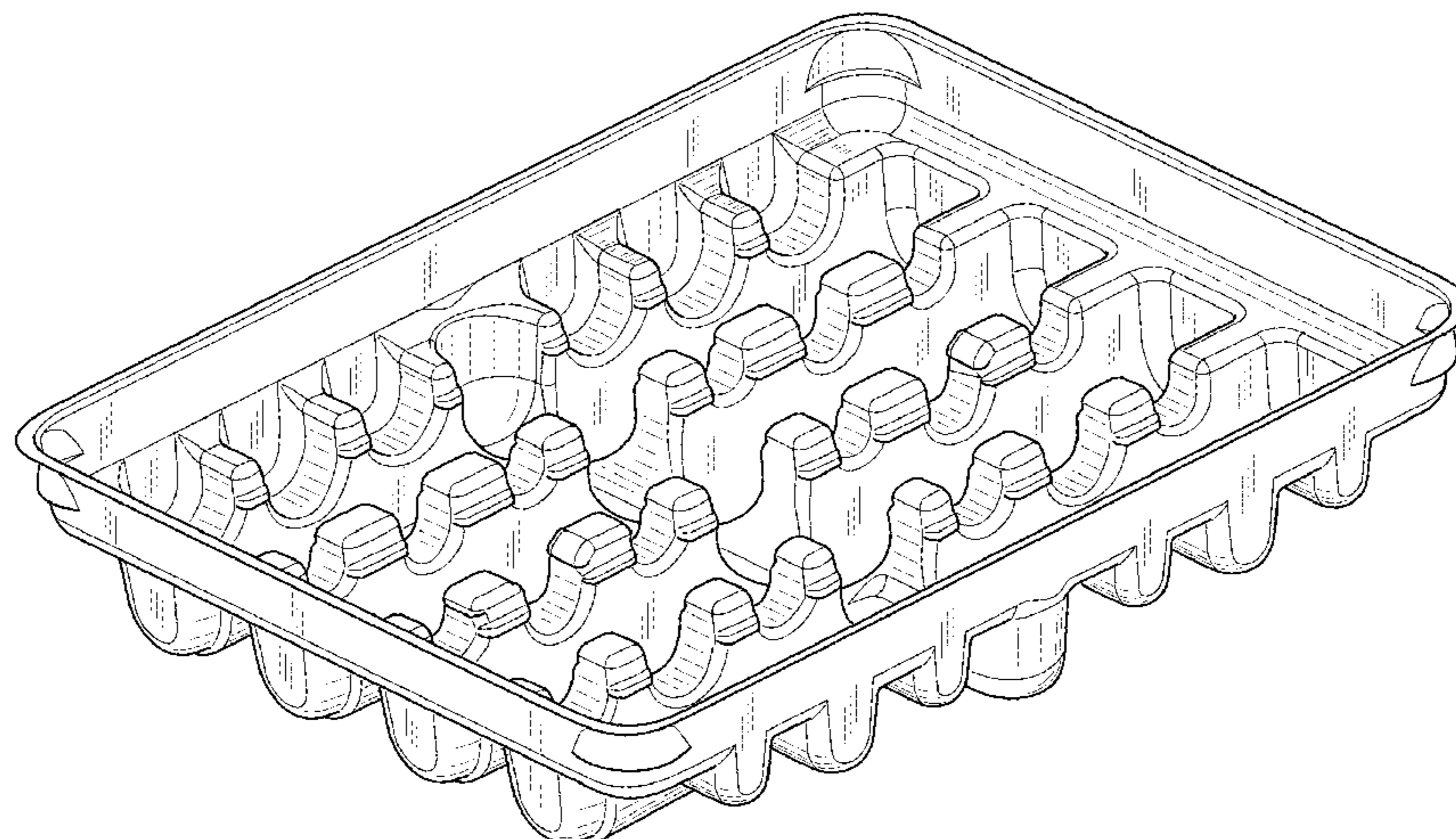
The ornamental design for a medical packaging tray, as shown and described.

DESCRIPTION

FIG. 1 is a perspective view showing a new design for a medical packaging tray;
FIG. 2 is a top view of the medical packaging tray of FIG. 1;
FIG. 3 is a front view of the medical packaging tray of FIG. 1;
FIG. 4 is a rear view of the medical packaging tray of FIG. 1;
FIG. 5 is a left-side view of the medical packaging tray of FIG. 1;
FIG. 6 is a right-side view of the medical packaging tray of FIG. 1; and,
FIG. 7 is a bottom view of the medical packaging tray of FIG. 1.

The dashed lines are included for the purpose of illustrating environment and form no part of the claimed design.

1 Claim, 5 Drawing Sheets



(56)

References Cited

U.S. PATENT DOCUMENTS

7,584,852	B2 *	9/2009	O'Brien	B65D 5/503 206/433
D601,423	S *	10/2009	Canters	D12/163
D613,418	S *	4/2010	Ryan	D24/229
D656,821	S *	4/2012	Marcoux	D9/456
D758,914	S *	6/2016	MacKenzie	D11/143
D818,604	S *	5/2018	Smith	D24/229
D833,301	S *	11/2018	Liu	D9/737
D853,794	S *	7/2019	Bergeron	D7/553.2
D853,795	S *	7/2019	Bergeron	D7/553.2
D854,928	S *	7/2019	Corbin	D9/435
2004/0031711	A1 *	2/2004	O'Malley	B65D 71/70 206/427
2010/0012537	A1 *	1/2010	Farrar	A61M 5/002 206/364
2014/0374414	A1 *	12/2014	Lanier	B65D 25/107 220/23.4
2018/0215504	A1 *	8/2018	Liu	B65D 11/20
2018/0361056	A1 *	12/2018	Horlock	A61M 5/002

* cited by examiner

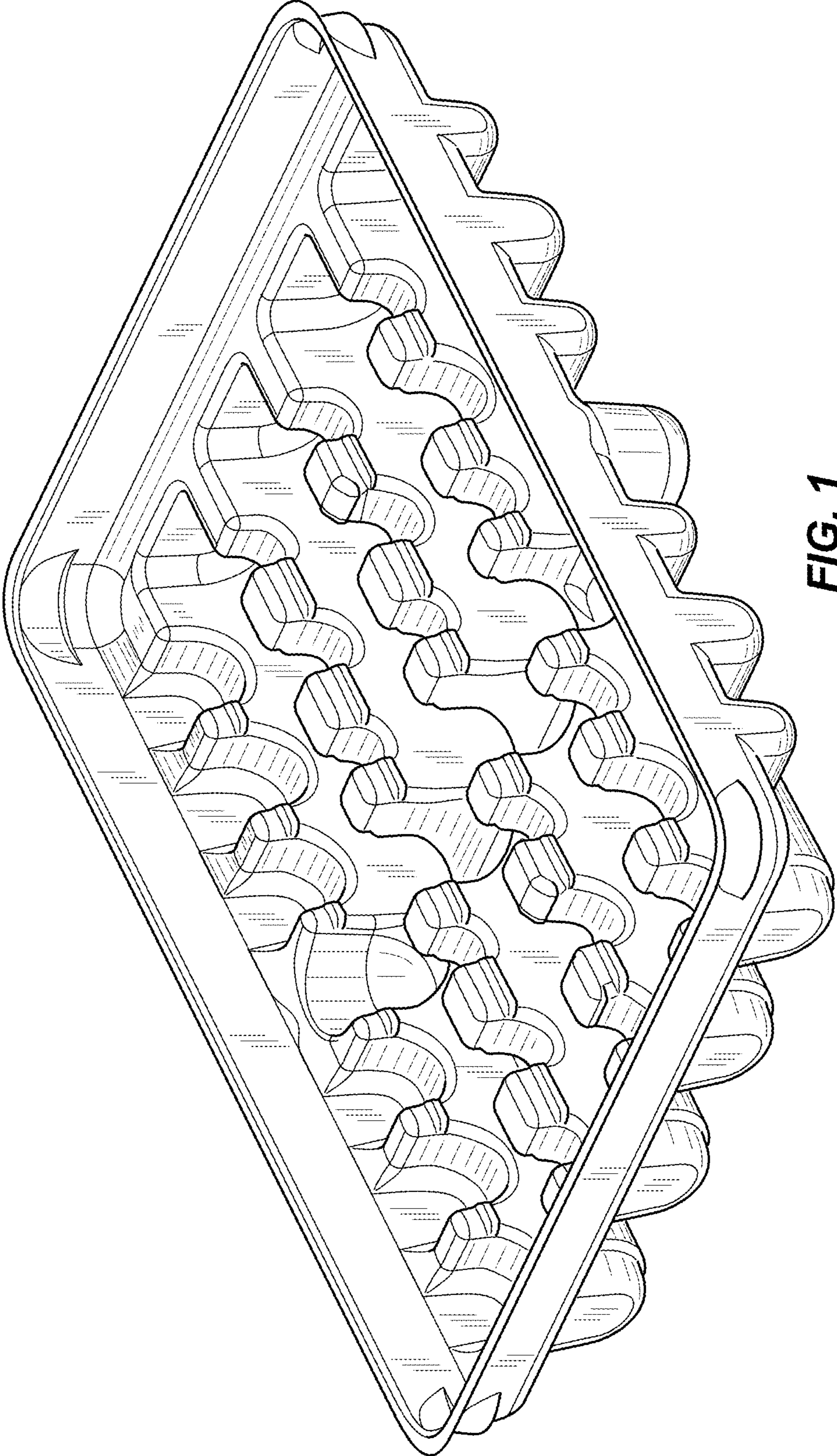


FIG. 1

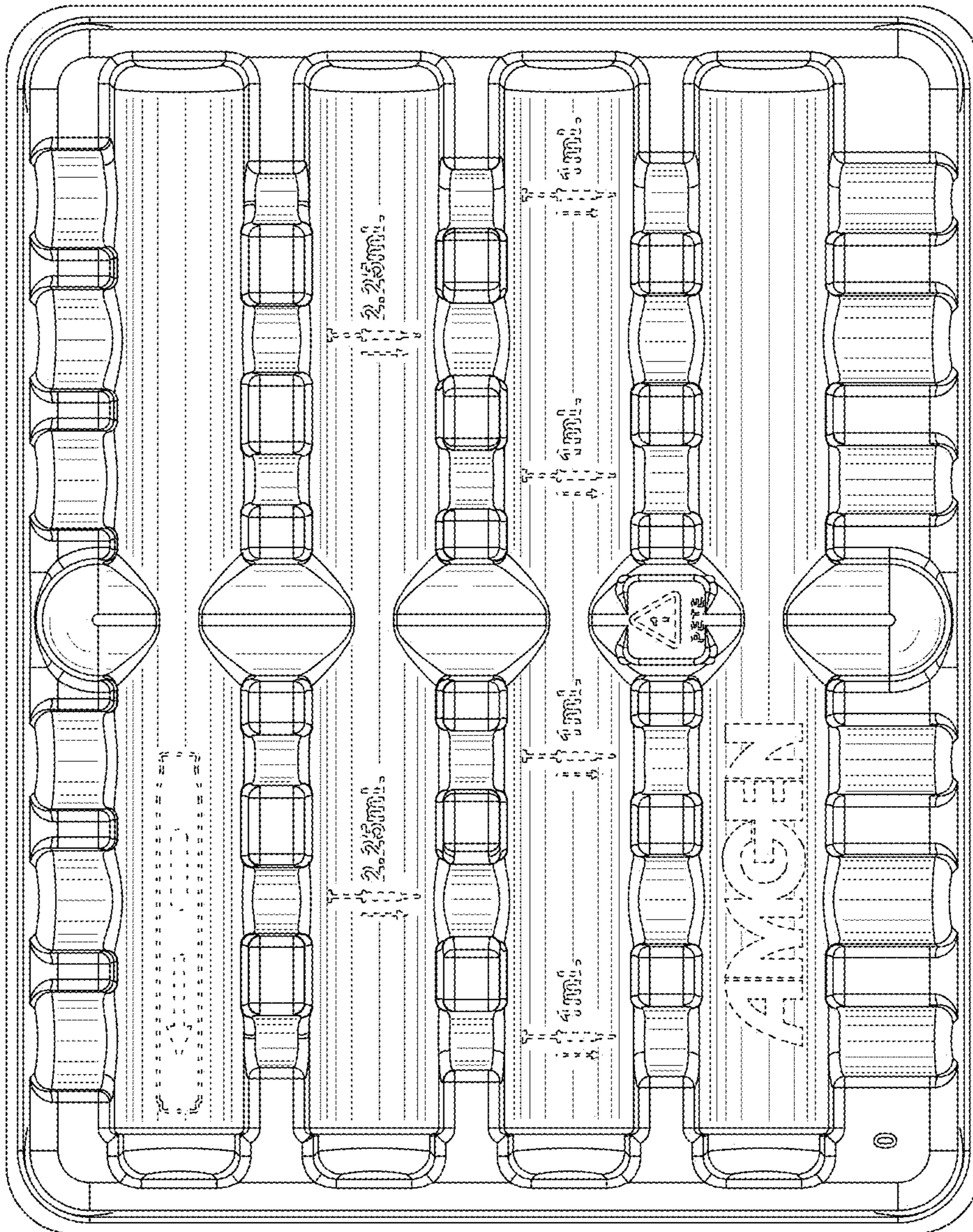


FIG. 2

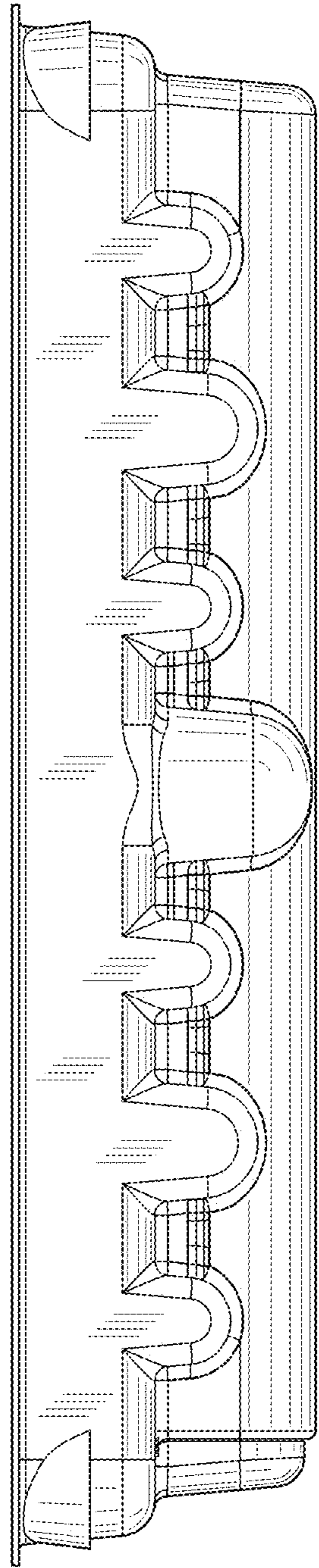


FIG. 3

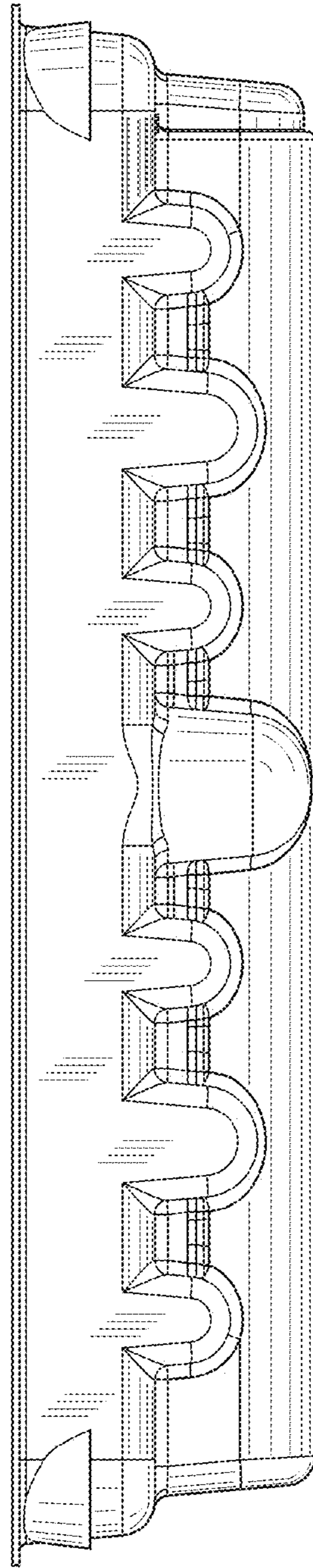


FIG. 4

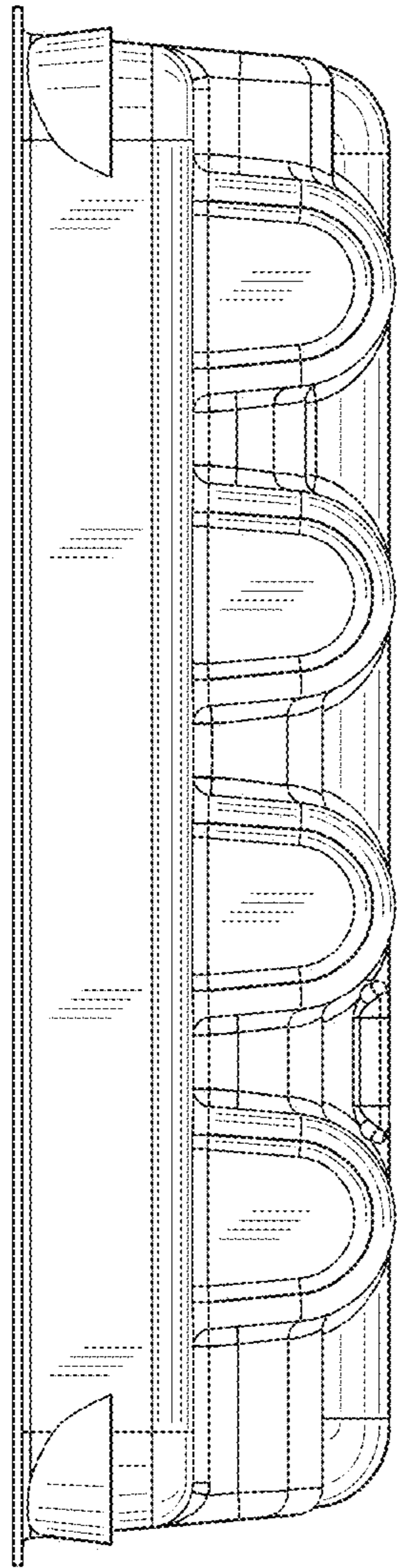


FIG. 5

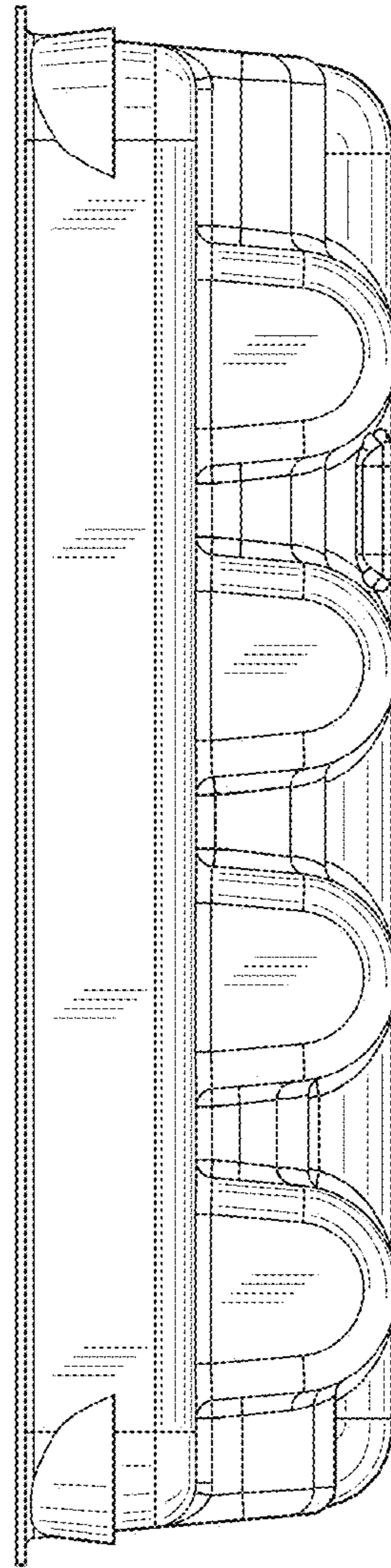


FIG. 6

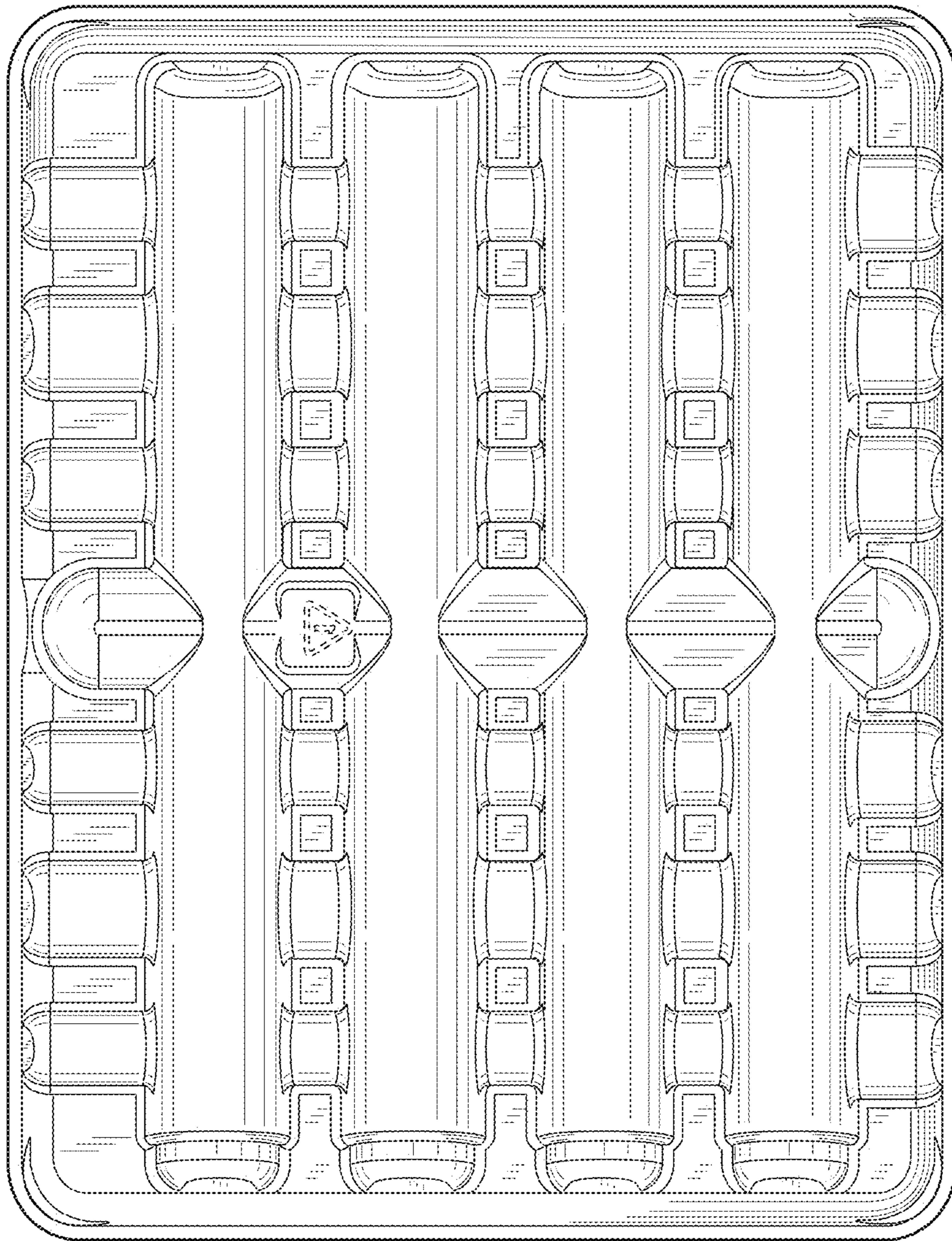


FIG. 7