



US00D883802S

(12) **United States Design Patent** (10) **Patent No.:** **US D883,802 S**
Meech et al. (45) **Date of Patent:** **** May 12, 2020**

(54) **PACKAGE**

(71) Applicant: **The Gillette Company LLC**, Boston, MA (US)

(72) Inventors: **James Arthur Meech**, Sharon, MA (US); **Richard Kevin Sennett**, Abington, MA (US); **Michael Robert Kraine**, Newton, MA (US)

(73) Assignee: **The Gillette Company LLC**, Boston, MA (US)

(**) Term: **15 Years**

(21) Appl. No.: **29/642,550**

(22) Filed: **Mar. 30, 2018**

(51) **LOC (12) Cl.** **09-03**

(52) **U.S. Cl.**
USPC **D9/748**

(58) **Field of Classification Search**
USPC D9/748, 735, 737, 749; 206/208, 223, 206/228, 349, 351; 76/DIG. 8, DIG. 9
(Continued)

(56) **References Cited**

U.S. PATENT DOCUMENTS

4,482,053 A * 11/1984 Alpern A61L 2/26
206/439
5,040,678 A * 8/1991 Lenmark, Sr. B65D 81/107
206/204

(Continued)

OTHER PUBLICATIONS

“Heated Razor Starter Kit by Gillette Labs Unboxing | Gillette Razor Unboxing”, available Sep. 9, 2019, [online], [site visited Dec. 20, 2019]. Available from internet, URL: <https://www.youtube.com/watch?v=6EjDz8zK6bE> (Year: 2019).*

Primary Examiner — Cathron C Brooks
Assistant Examiner — W. A. Teddy Falloway

(74) *Attorney, Agent, or Firm* — John M. Lipchitz

(57) **CLAIM**

The ornamental design for a package, as shown and described.

DESCRIPTION

FIG. 1 is an exploded, front perspective view of a package showing our new design;
FIG. 2 is a front view thereof;
FIG. 3 is a rear view thereof;
FIG. 4 is a right side view thereof;
FIG. 5 is a left side view thereof;
FIG. 6 is a top view thereof;
FIG. 7 is a bottom view thereof;
FIG. 8 is a bottom perspective view thereof;
FIG. 9 is a front perspective view of a first package component showing our new design, shown separately for completeness of illustration;
FIG. 10 is a front view thereof;
FIG. 11 is a rear view thereof;
FIG. 12 is a right side view thereof;
FIG. 13 is a left side view thereof;
FIG. 14 is a top view thereof;
FIG. 15 is a bottom view thereof;
FIG. 16 is a bottom perspective view thereof;
FIG. 17 is a front perspective view of a second package component showing our new design, shown separately for completeness of illustration;
FIG. 18 is a front view thereof;
FIG. 19 is a rear view thereof;
FIG. 20 is a right side view thereof;
FIG. 21 is a left side view thereof;
FIG. 22 is a top view thereof;
FIG. 23 is a bottom view thereof;
FIG. 24 is a bottom perspective view thereof;
FIG. 25 is a front perspective view of a third package component showing our new design, shown separately for completeness of illustration;
FIG. 26 is a front view thereof;
FIG. 27 is a rear view thereof;
FIG. 28 is a right side view thereof;

(Continued)

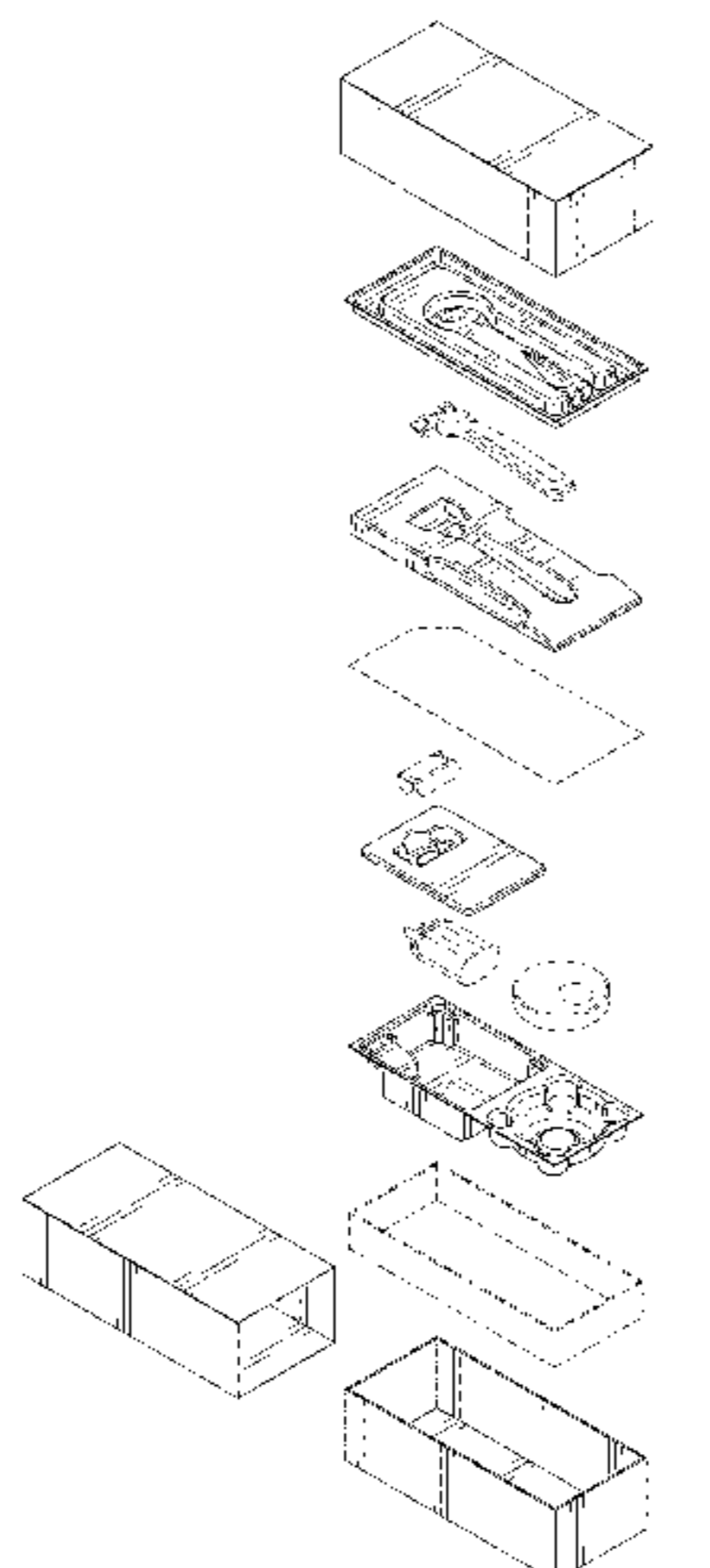


FIG. 29 is a left side view thereof;
 FIG. 30 is a top view thereof;
 FIG. 31 is a bottom view thereof;
 FIG. 32 is a bottom perspective view thereof;
 FIG. 33 is a front perspective view of a fourth package component showing our new design, shown separately for completeness of illustration;
 FIG. 34 is a front view thereof;
 FIG. 35 is a rear view thereof;
 FIG. 36 is a right side view thereof;
 FIG. 37 is a left side view thereof;
 FIG. 38 is a top view thereof;
 FIG. 39 is a bottom view thereof;
 FIG. 40 is a bottom perspective view thereof;
 FIG. 41 is a front perspective view of a fifth package component showing our new design, shown separately for completeness of illustration;
 FIG. 42 is a front view thereof;
 FIG. 43 is a rear view thereof;
 FIG. 44 is a right side view thereof;
 FIG. 45 is a left side view thereof;
 FIG. 46 is a top view thereof;
 FIG. 47 is a bottom view thereof; and,
 FIG. 48 is a bottom perspective view thereof.
 The broken lines shown illustrate portions of the package and the environmental structure. The broken lines form no part of the claimed design.

1 Claim, 36 Drawing Sheets

(58) **Field of Classification Search**

CPC A45D 27/22; A45D 27/225; A45D 27/29;
 B65D 25/10; B65D 77/26; B65D 1/36;
 B65D 21/0233; B65D 75/327; B65D
 75/367; B65D 81/133; A61B 50/30;
 A61B 50/33; A61B 2050/3006

See application file for complete search history.

(56)

References Cited

U.S. PATENT DOCUMENTS

5,782,346	A *	7/1998	Gray	B65D 81/025 206/228
D399,421	S *	10/1998	Gray	D9/749
6,154,360	A	11/2000	Kaczeus, Sr. et al.	
6,400,247	B1	6/2002	King	
6,830,149	B2 *	12/2004	Merboth	A01N 1/02 206/438
D511,105	S *	11/2005	Dominesey	D9/748
D558,571	S	1/2008	Andre et al.	
D561,610	S *	2/2008	Renaldi	D9/749
D576,873	S	9/2008	Kim	
D596,485	S *	7/2009	Andre	D9/737
D620,795	S	8/2010	Andre et al.	
D627,217	S *	11/2010	Marcinkowski	D9/415
7,878,326	B2	2/2011	Andre et al.	
D637,076	S	5/2011	Akana et al.	
D642,048	S *	7/2011	Ocampo	D9/424
D661,188	S *	6/2012	Fahy	D9/456
D709,364	S	7/2014	Olsson et al.	
D709,767	S *	7/2014	Morrison	D9/456
D713,739	S *	9/2014	Akana	D9/721
D715,148	S *	10/2014	Kuo	D9/456
D723,920	S *	3/2015	Wakeham	D9/456
8,997,984	B2	4/2015	Kuo et al.	
9,199,776	B1 *	12/2015	Bruce	B65D 75/322
D790,987	S *	7/2017	Damon	D28/46
9,828,157	B2 *	11/2017	Roesler	B65D 77/02
10,384,827	B1 *	8/2019	Mehta	B65D 5/503
2010/0200443	A1 *	8/2010	Greene	B65D 25/10 206/354
2011/0100845	A1 *	5/2011	Meech	B65D 75/366 206/232
2011/0290688	A1 *	12/2011	Marcinkowski	B65D 77/26 206/352
2013/0292393	A1 *	11/2013	Doherty	B65D 1/36 220/608
2015/0059197	A1 *	3/2015	Sassano	A45D 27/48 34/80
2016/0244198	A1 *	8/2016	Doherty	B65D 73/0092
2017/0367457	A1 *	12/2017	Greene	A45D 27/225
2019/0092547	A1 *	3/2019	Sadowski	A61B 50/30

* cited by examiner

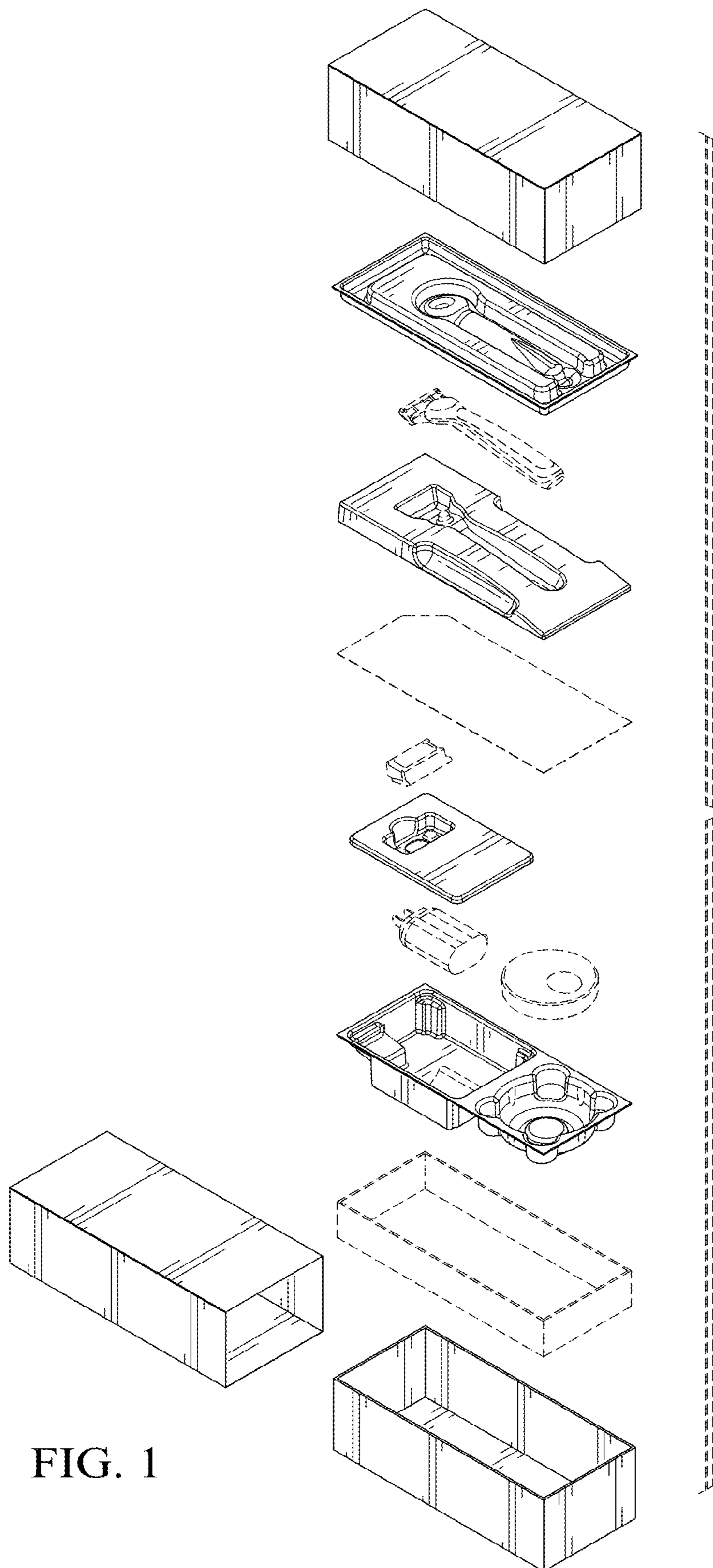


FIG. 1

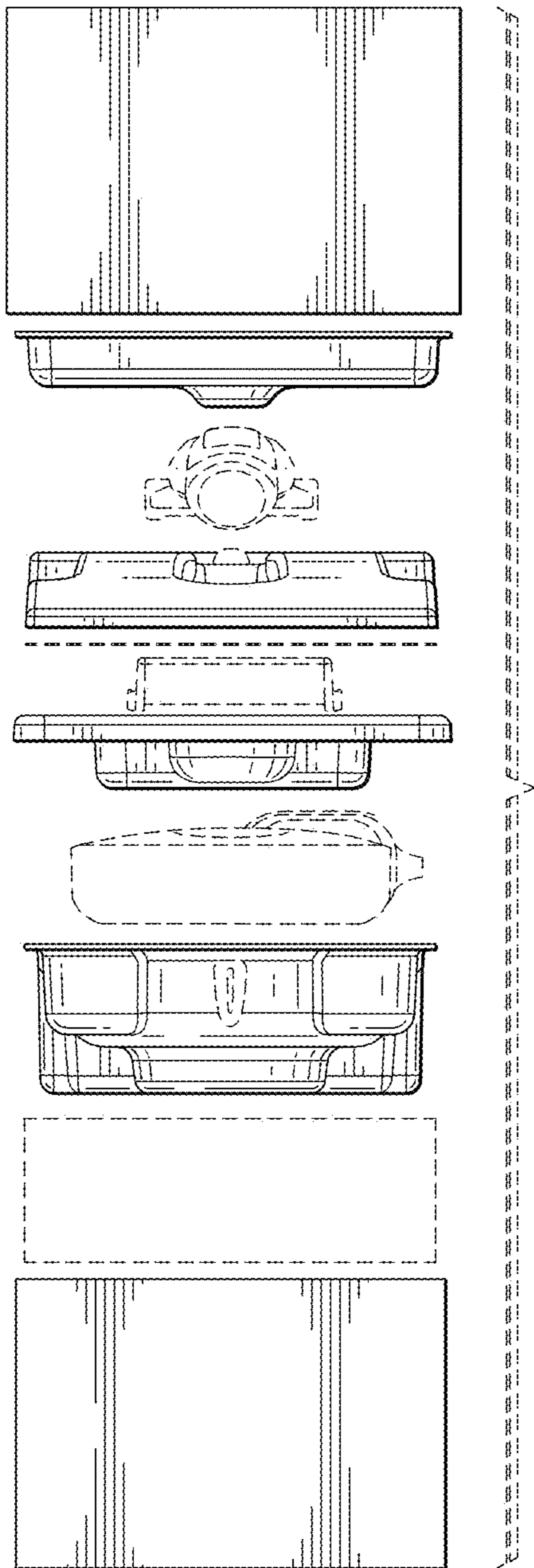


FIG. 2

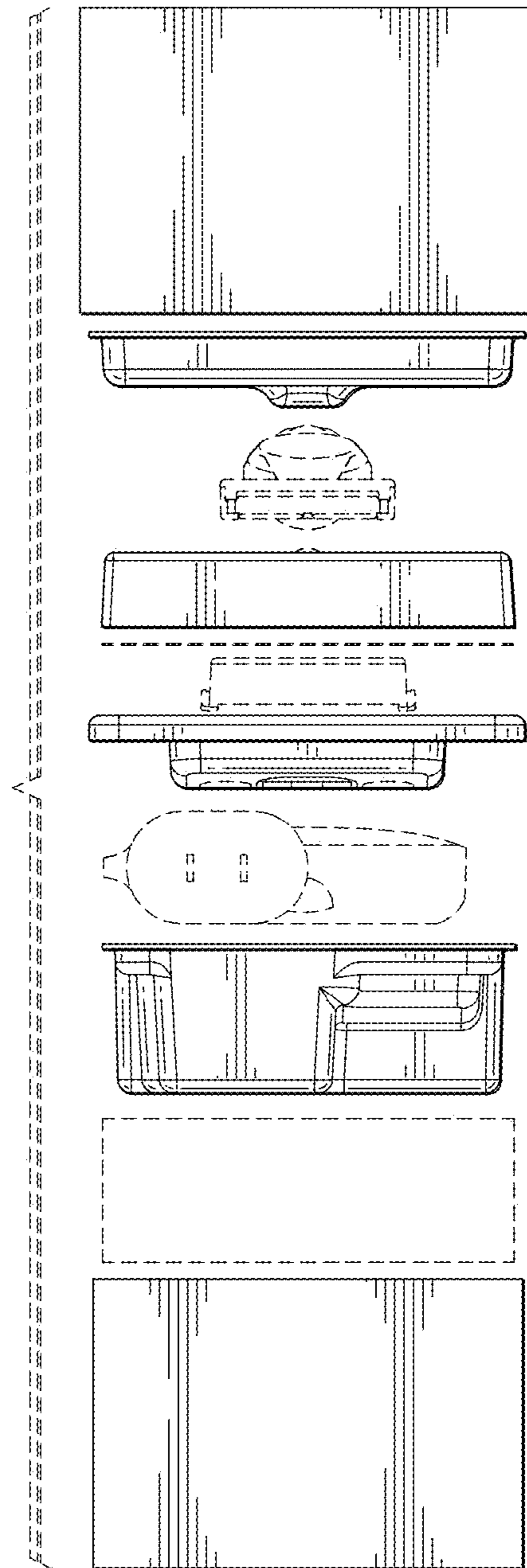


FIG. 3

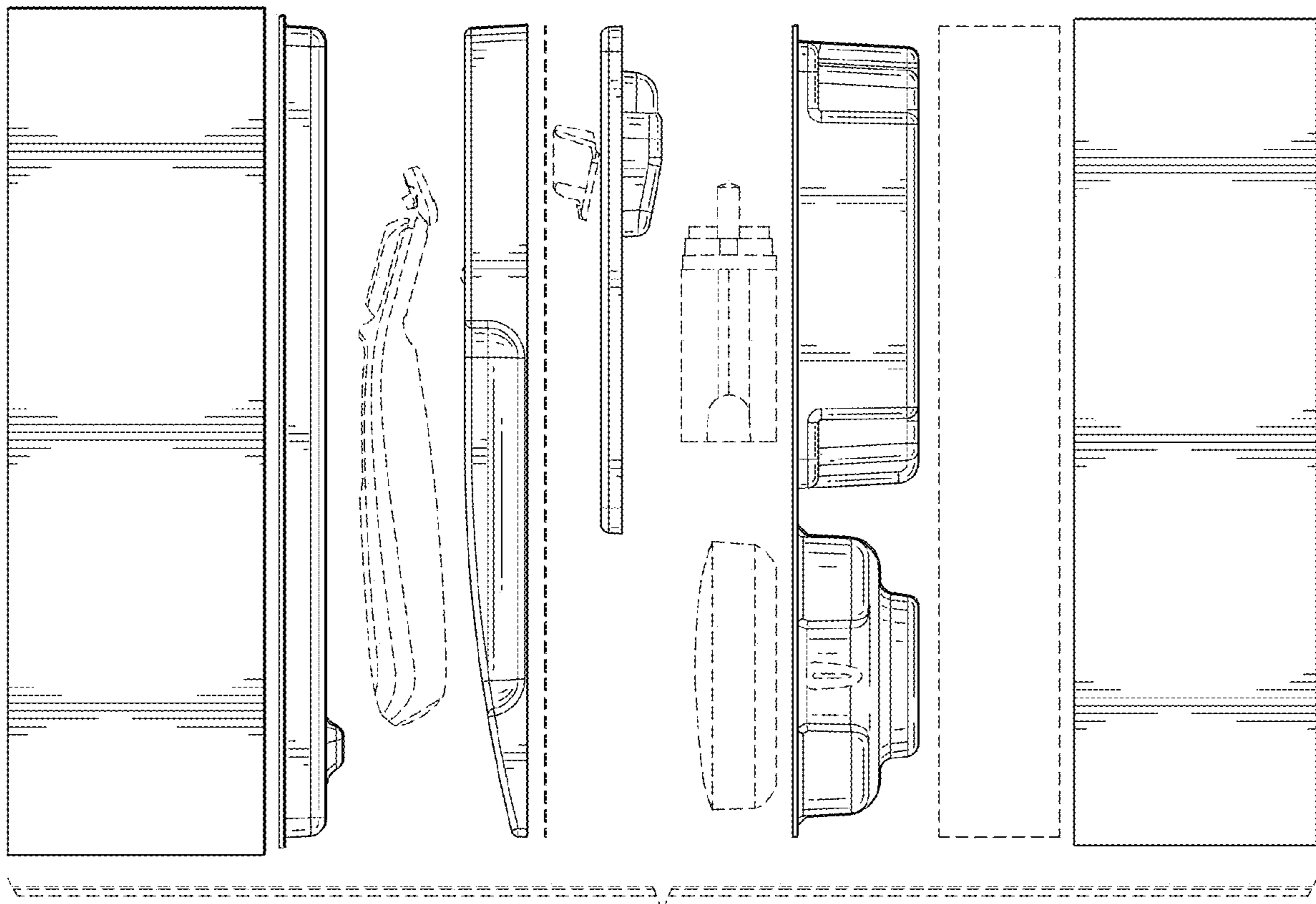
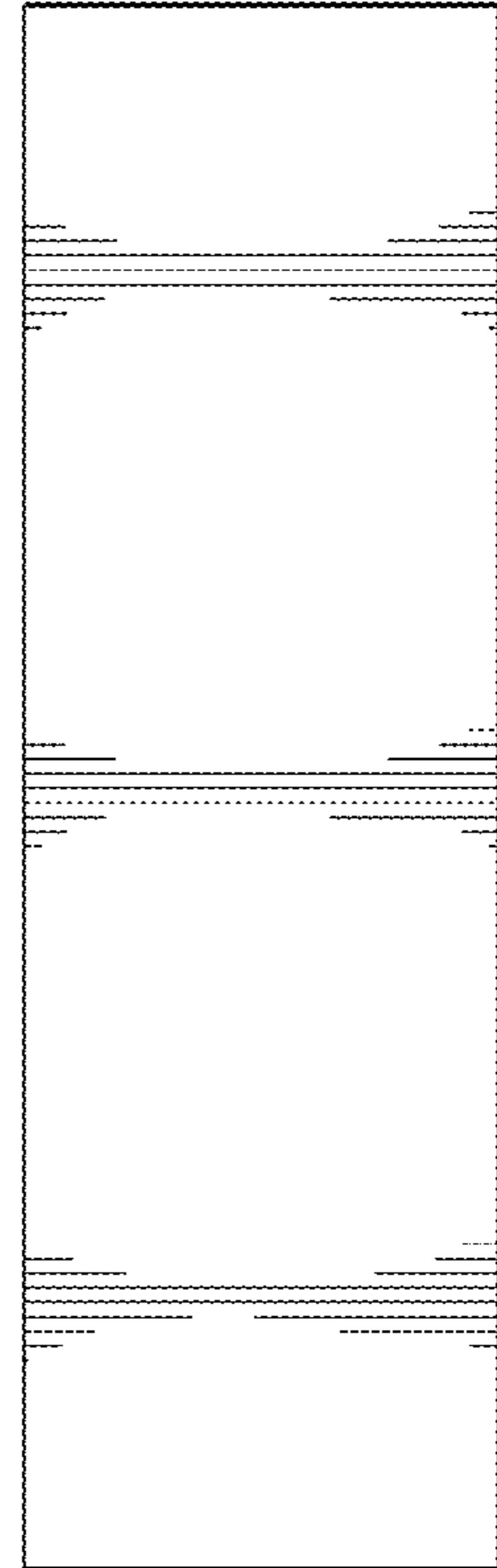


FIG. 4



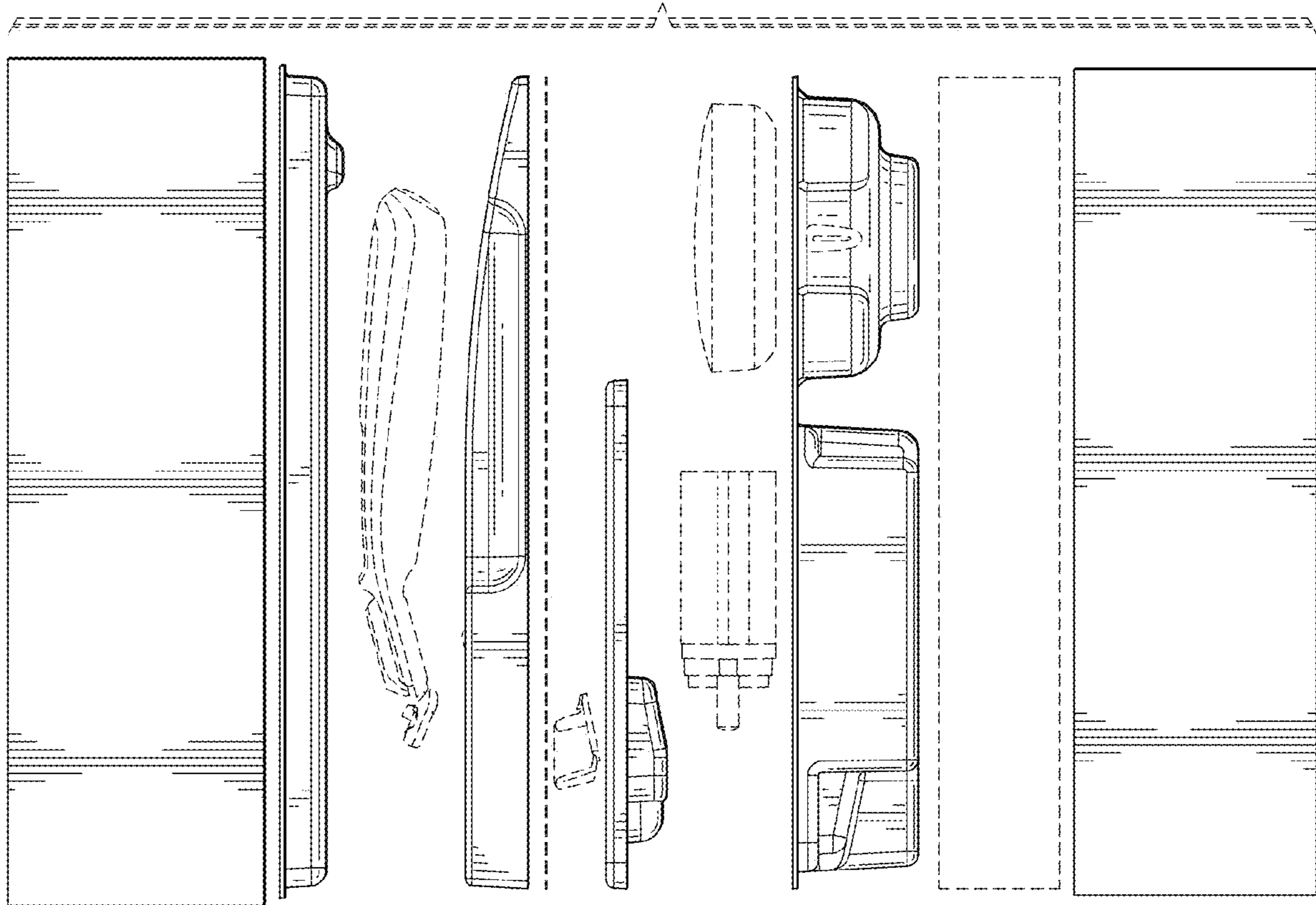
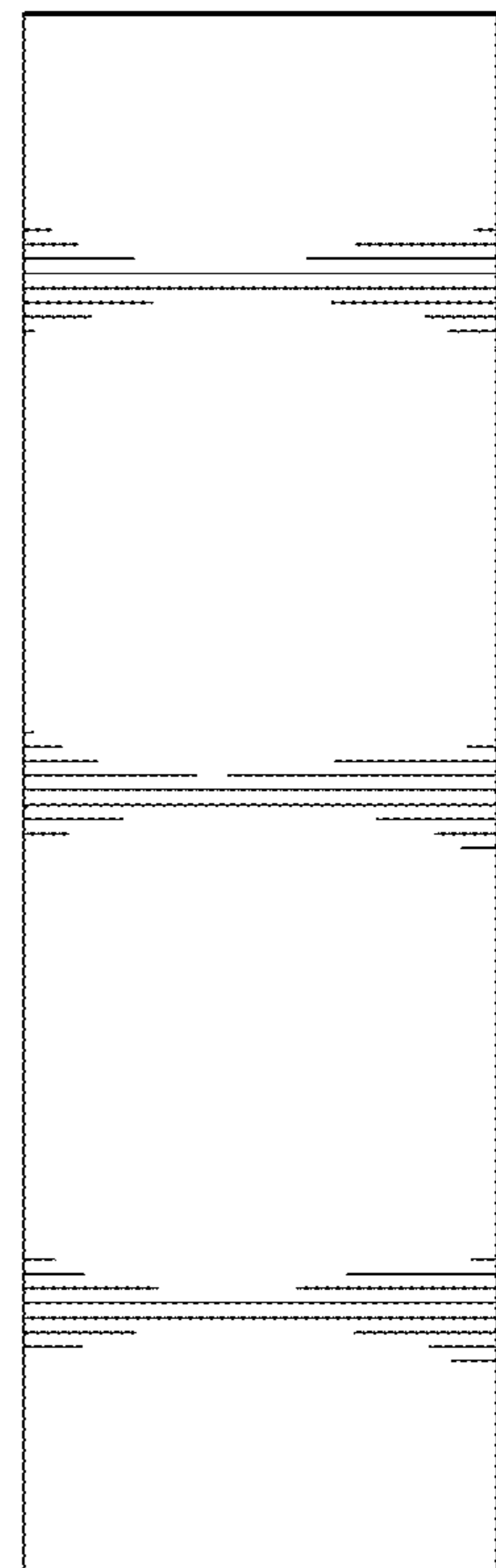


FIG. 5



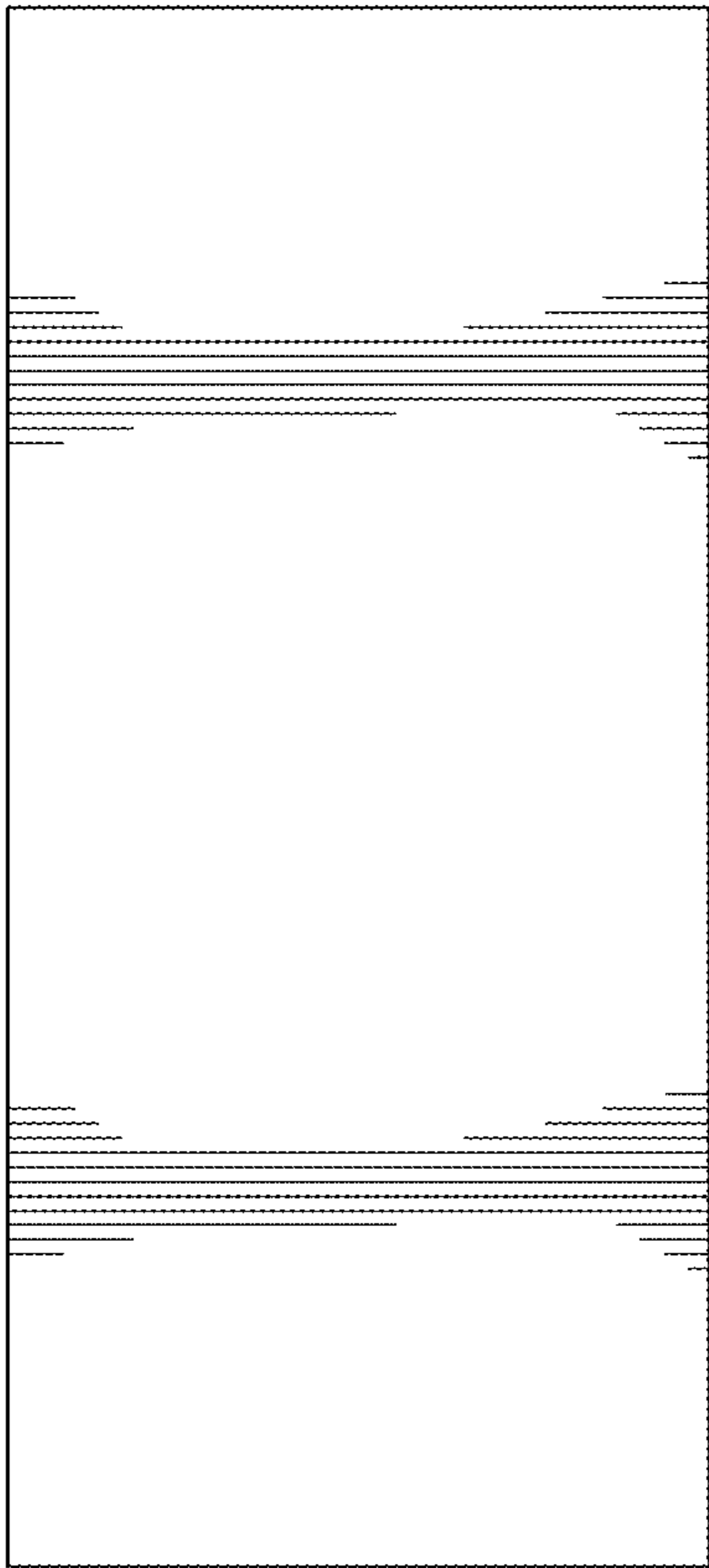


FIG. 6

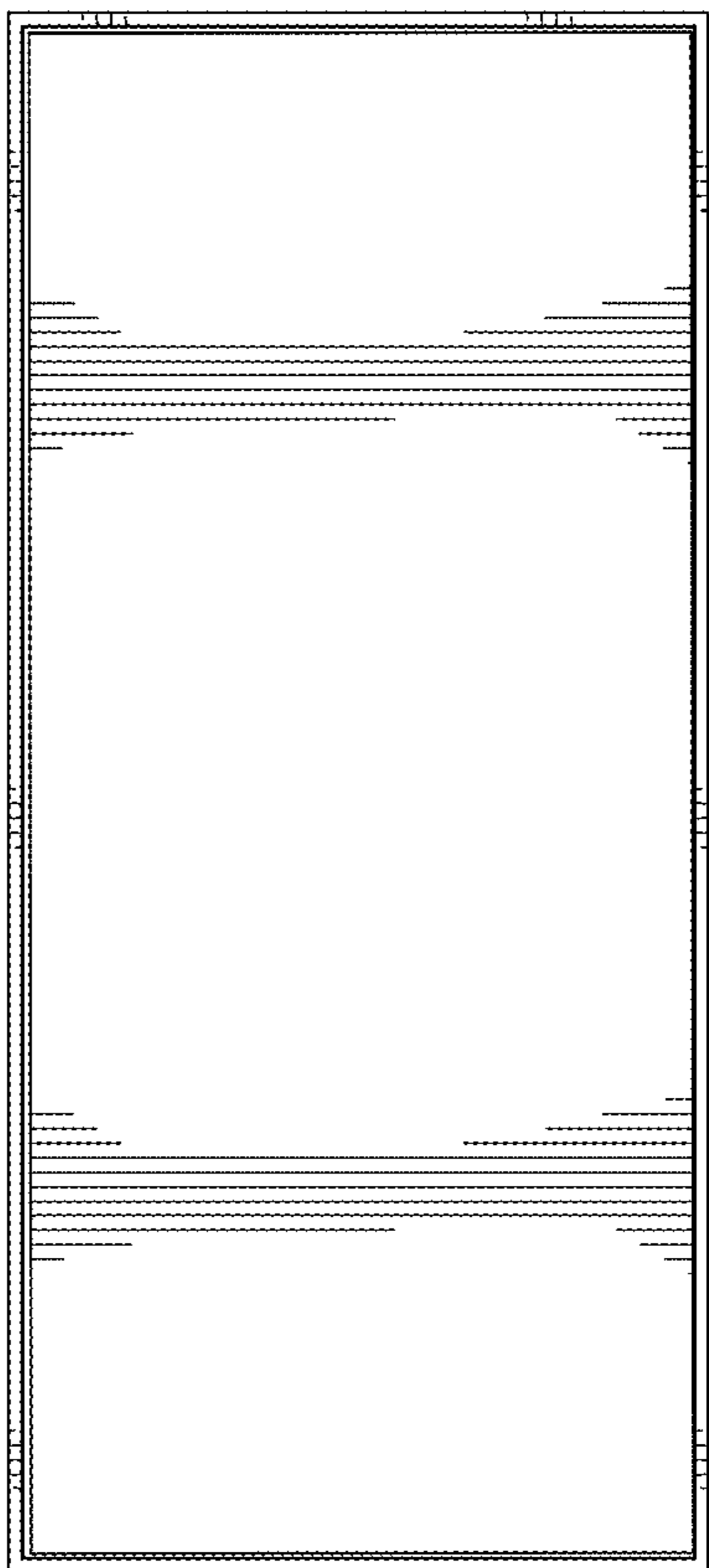


FIG. 6

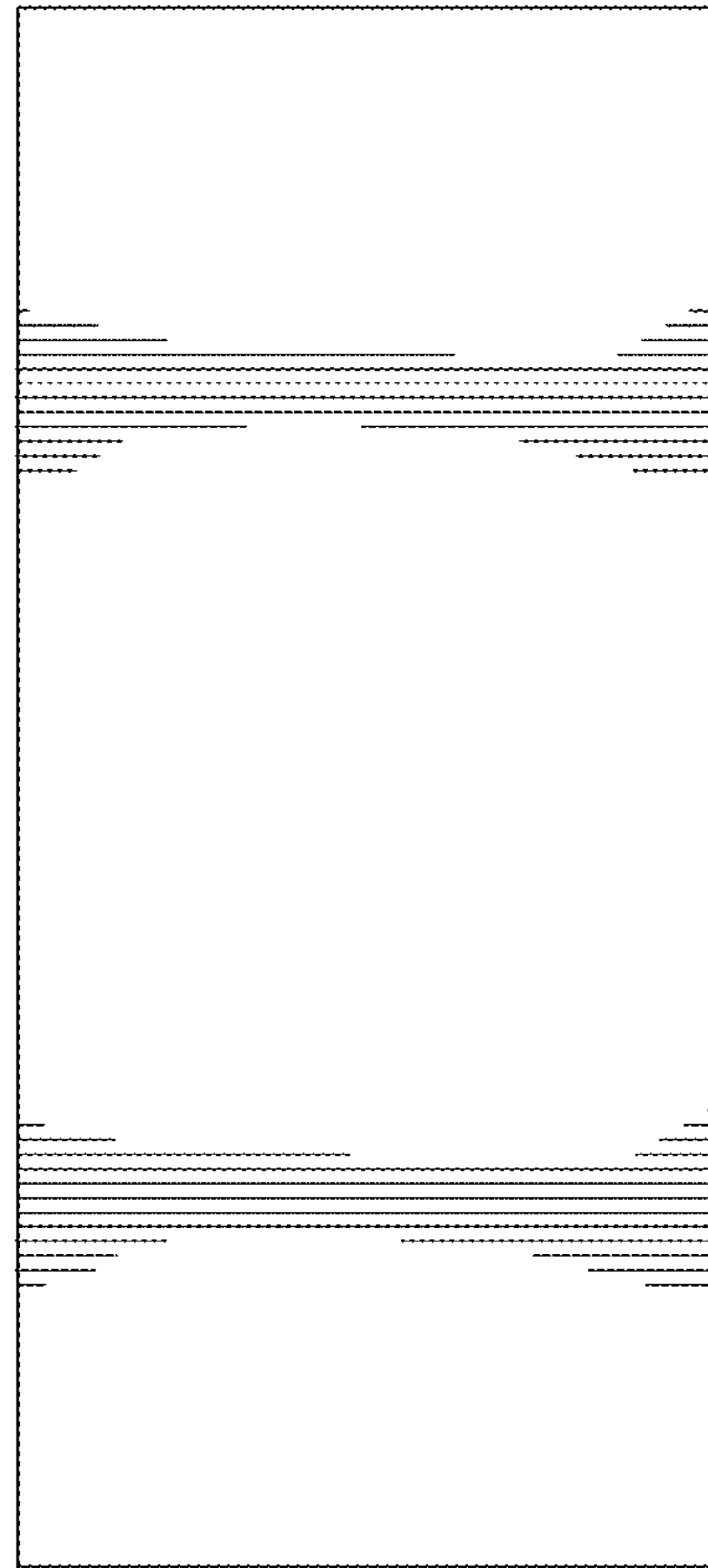


FIG. 7

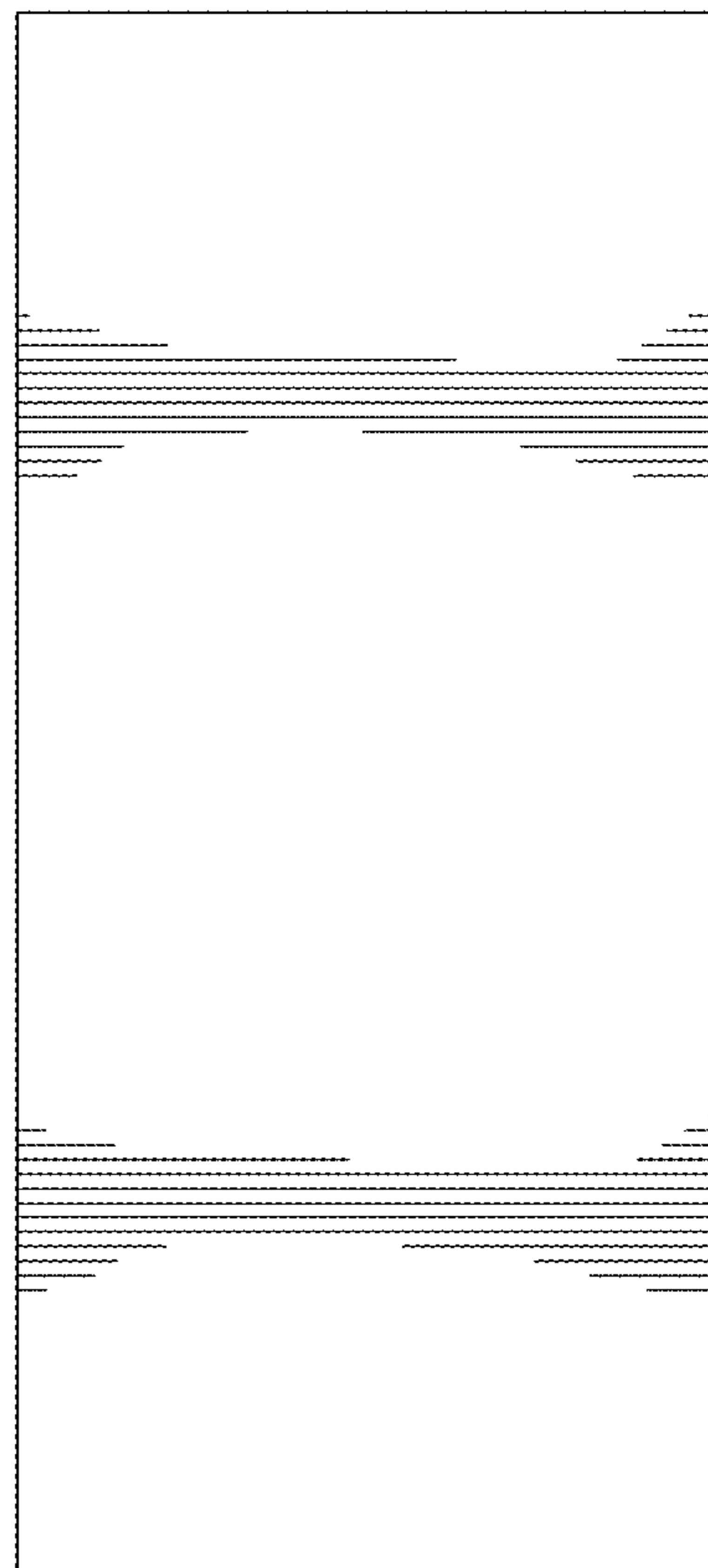


FIG. 7

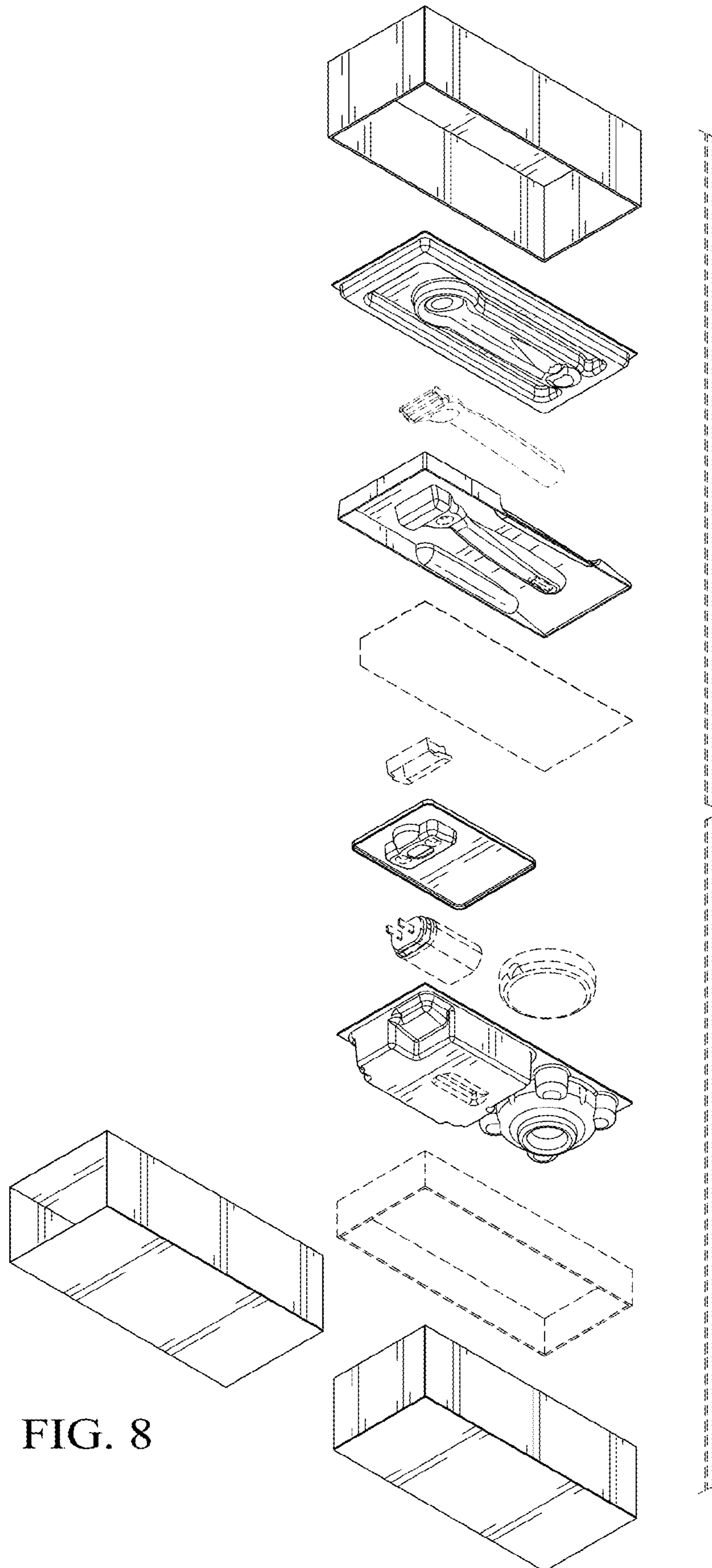


FIG. 8

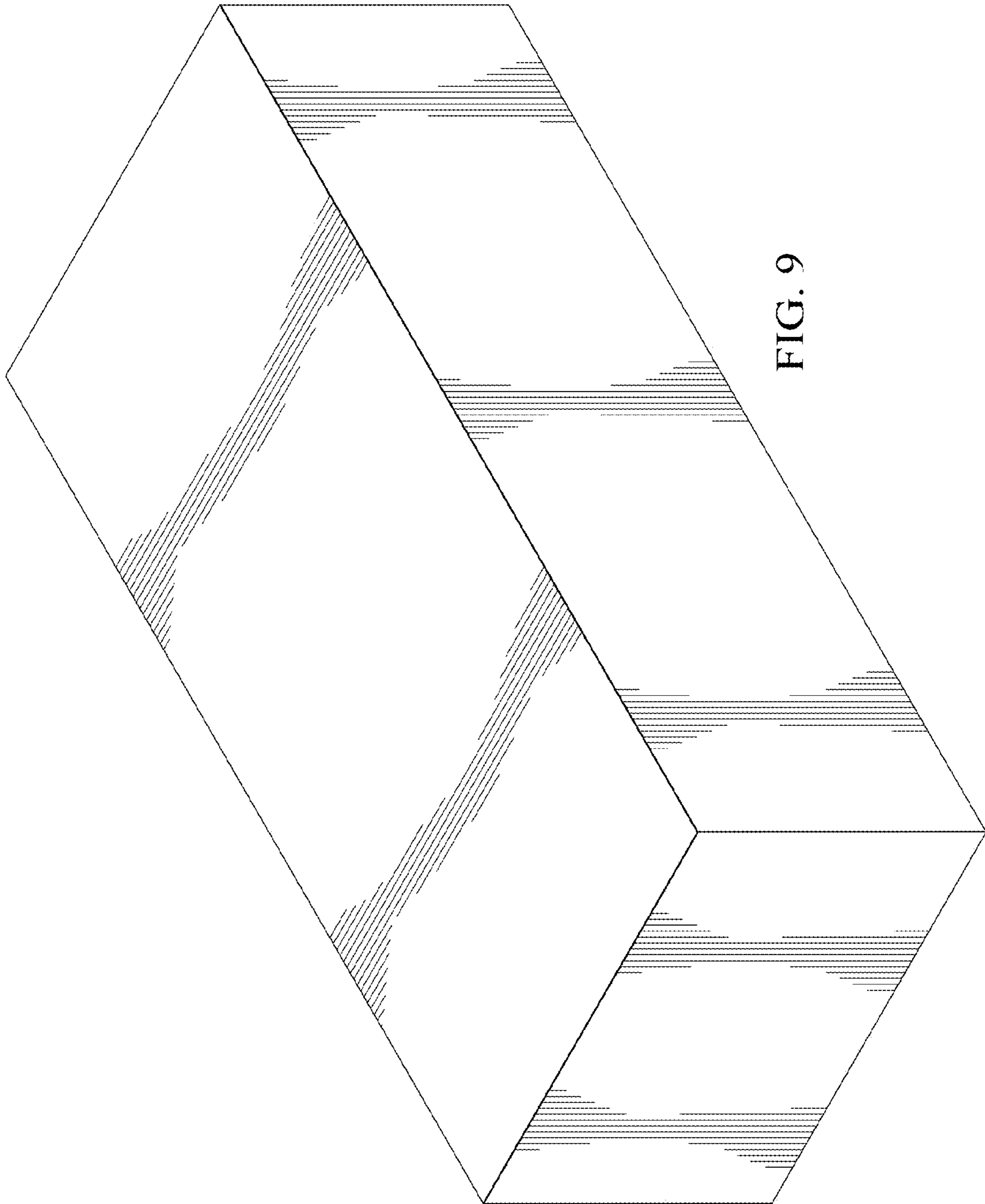


FIG. 9

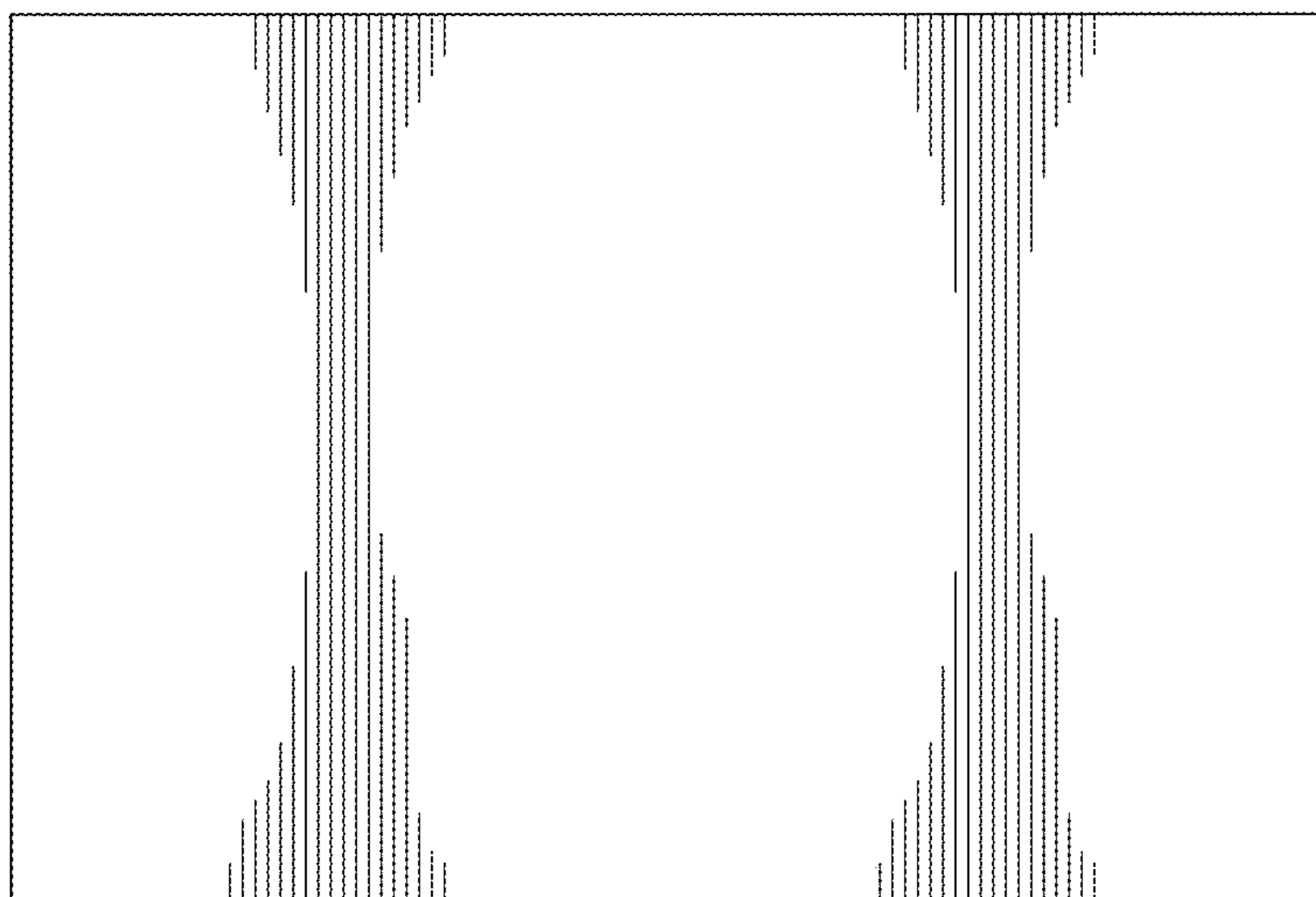


FIG. 10

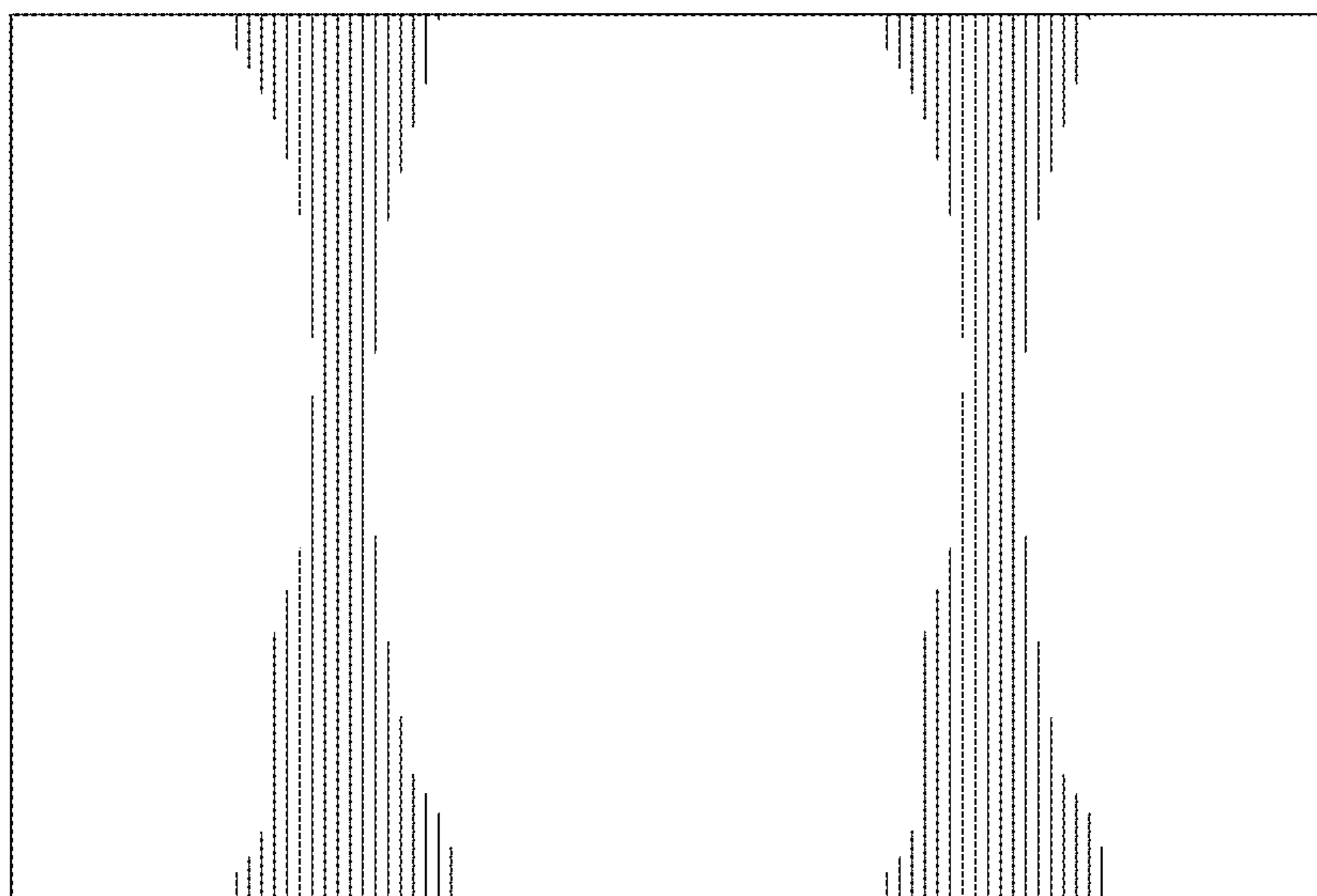


FIG. 11

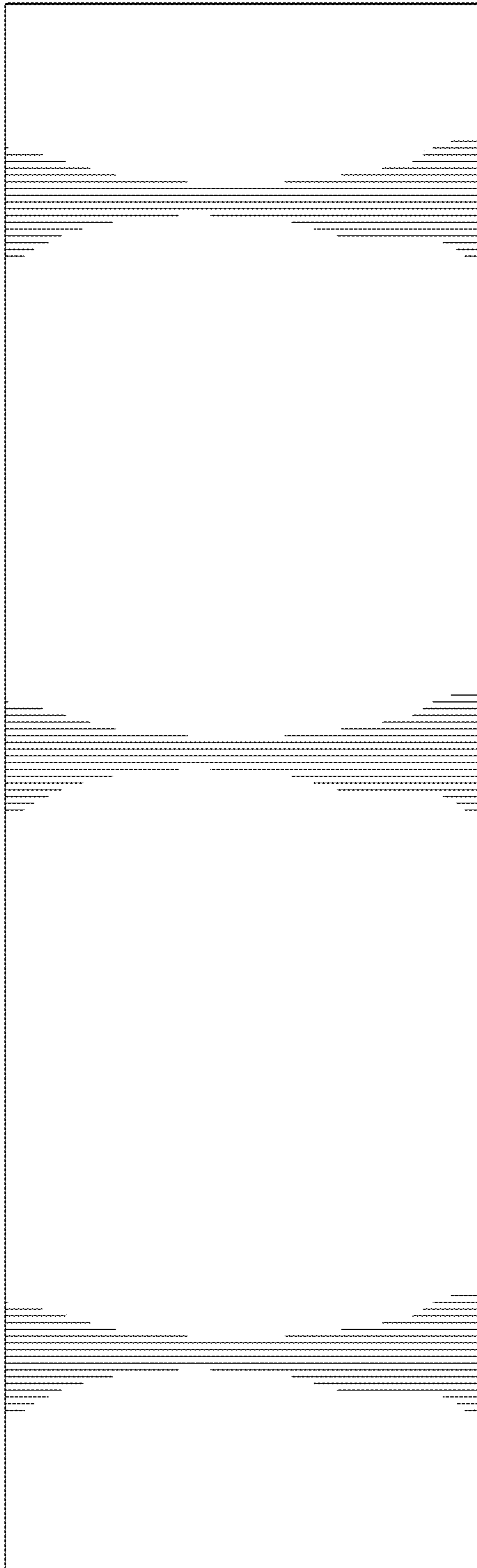


FIG. 12

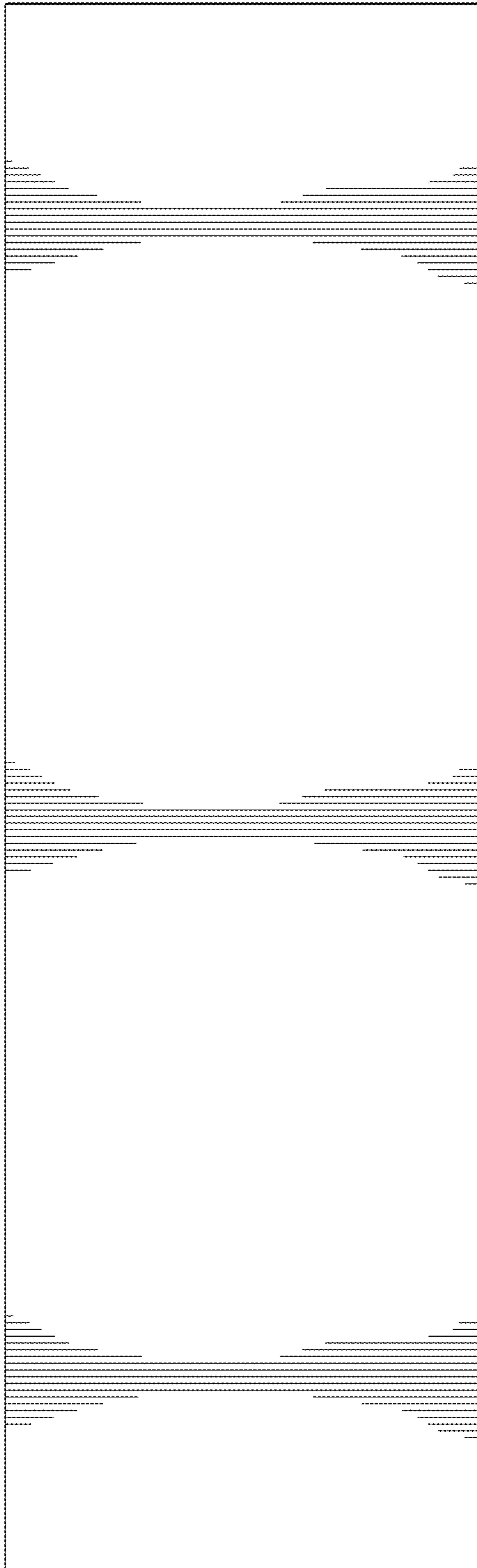


FIG. 13

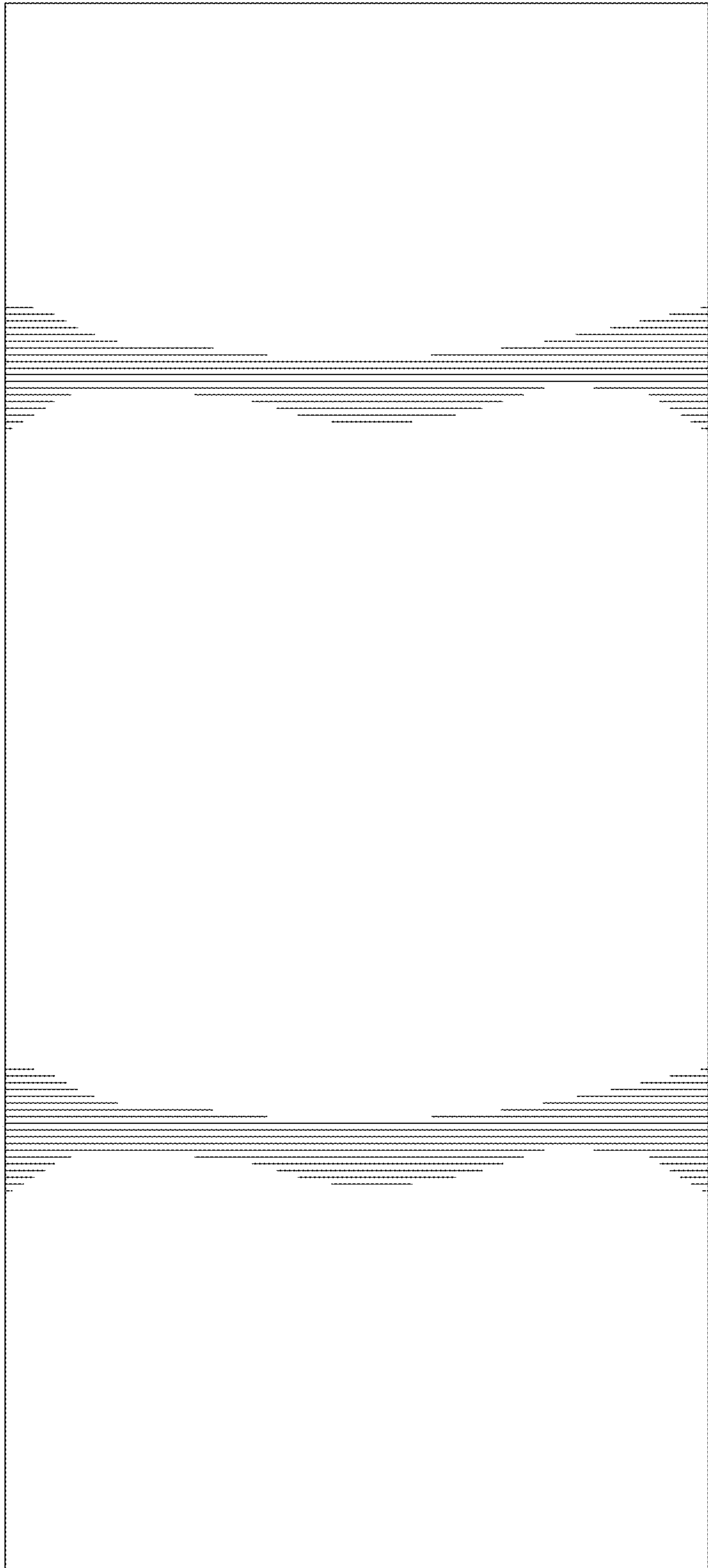


FIG. 14

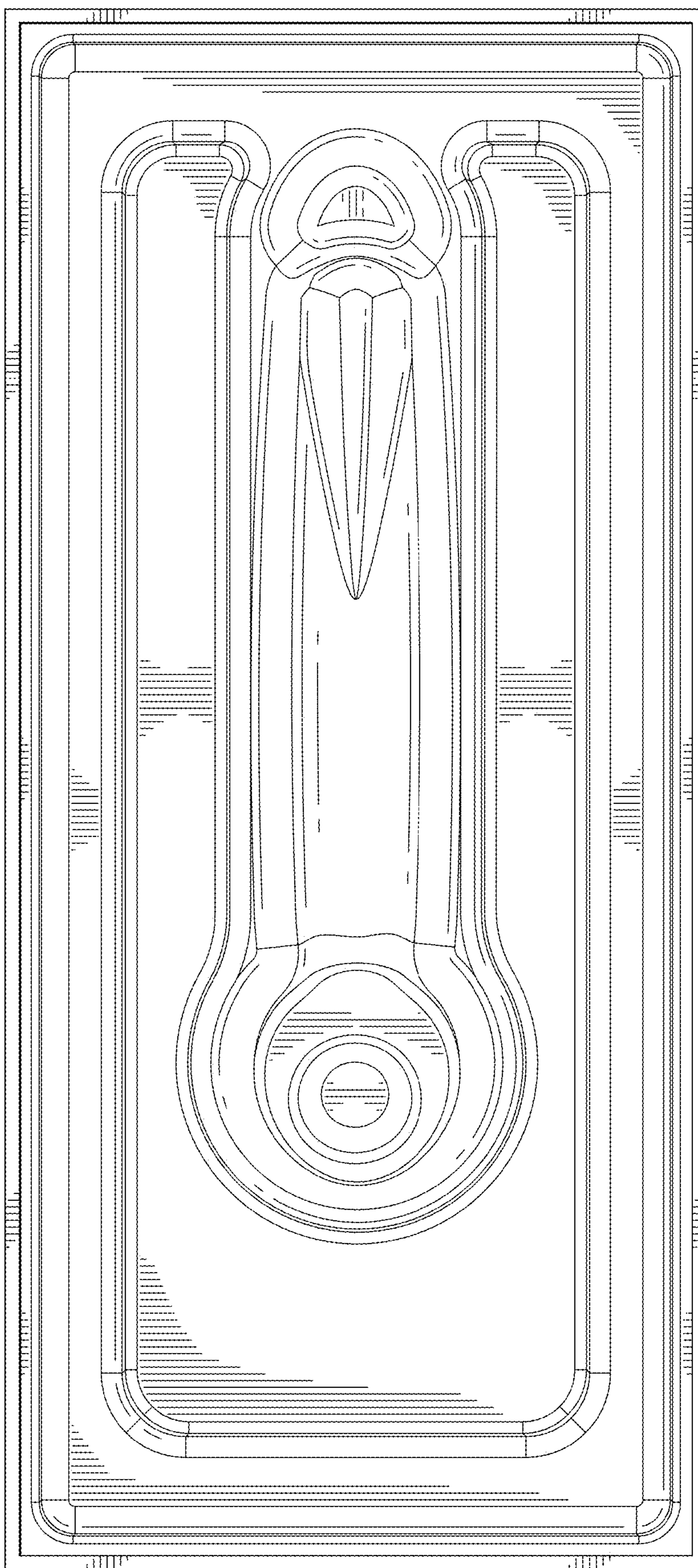


FIG. 15

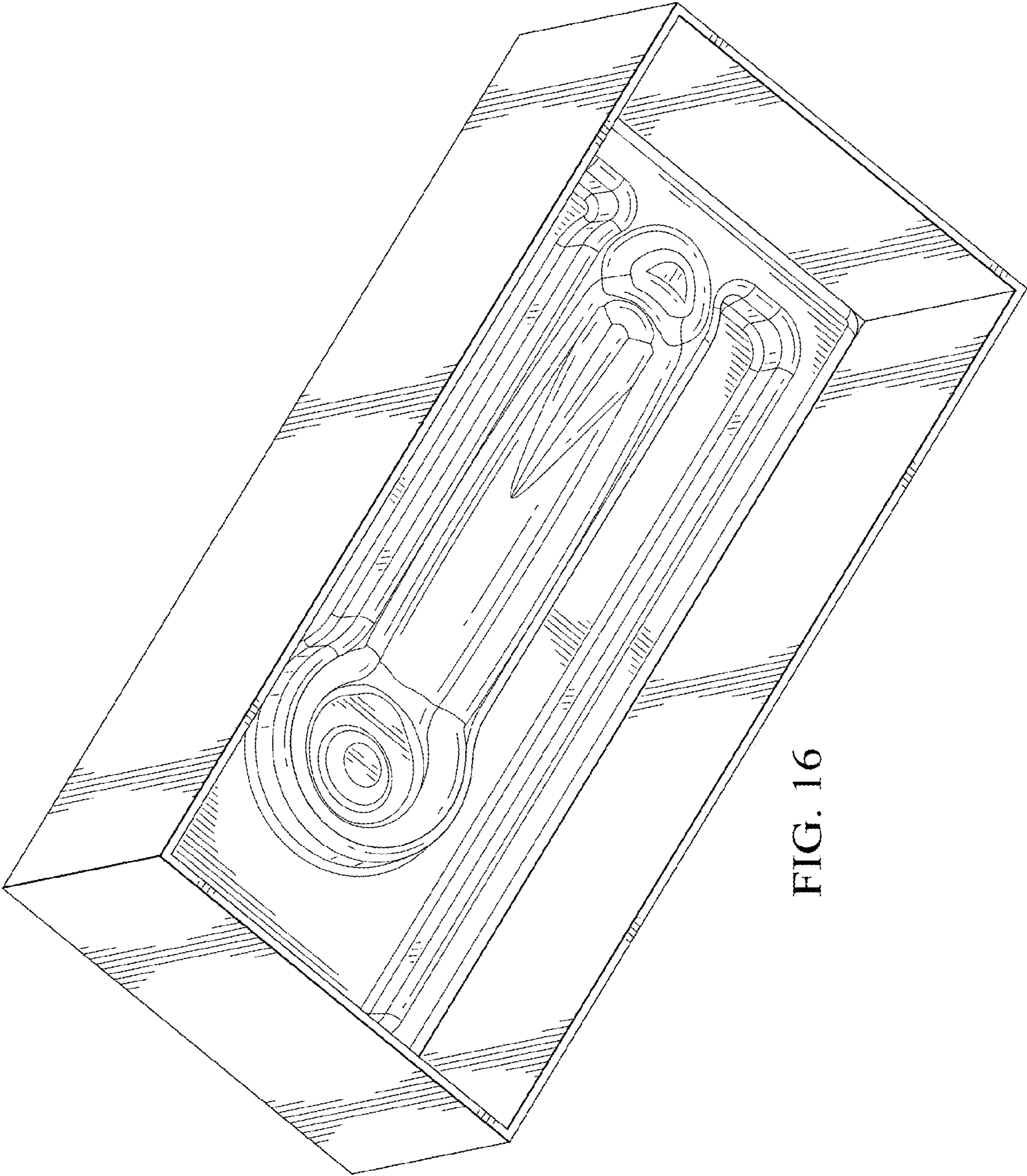


FIG. 16

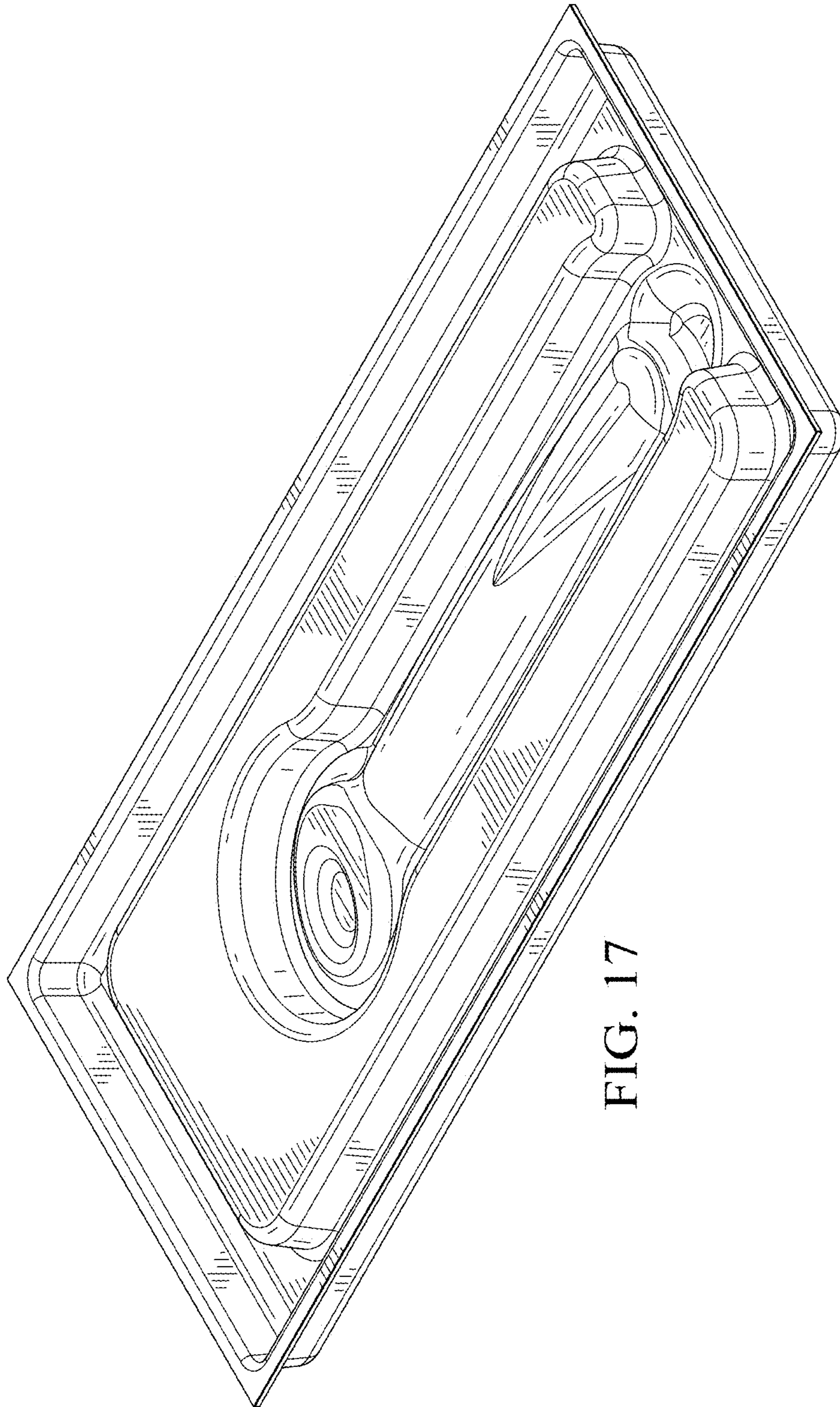


FIG. 17

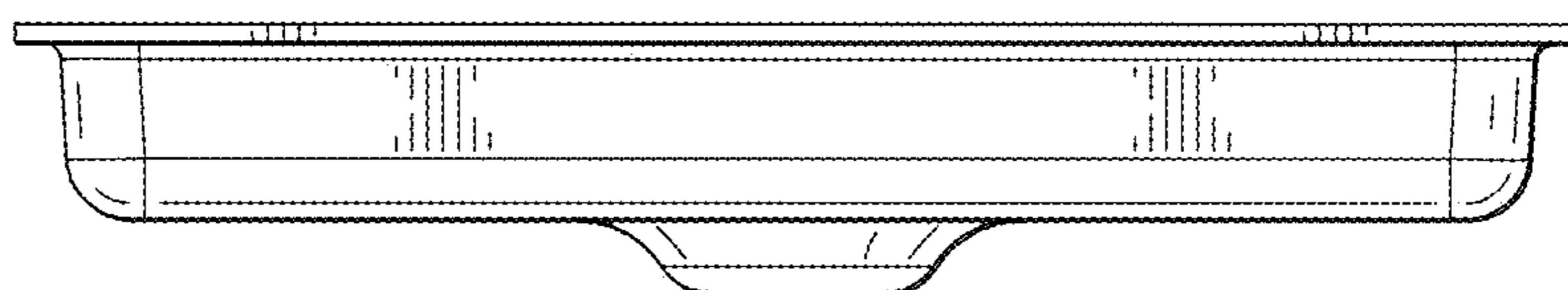


FIG. 18

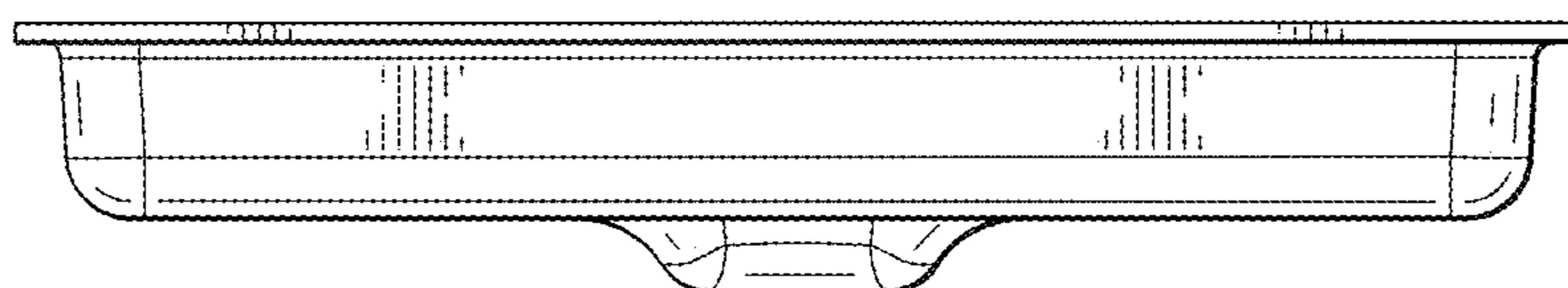


FIG. 19

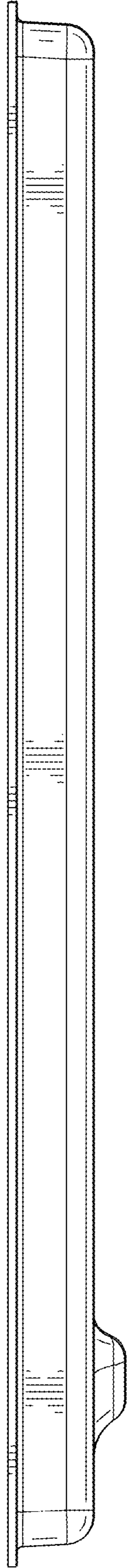


FIG. 20

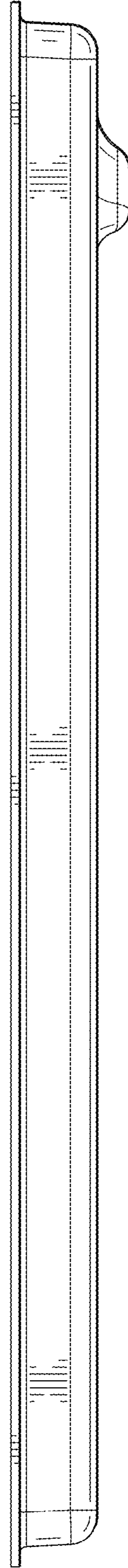


FIG. 21

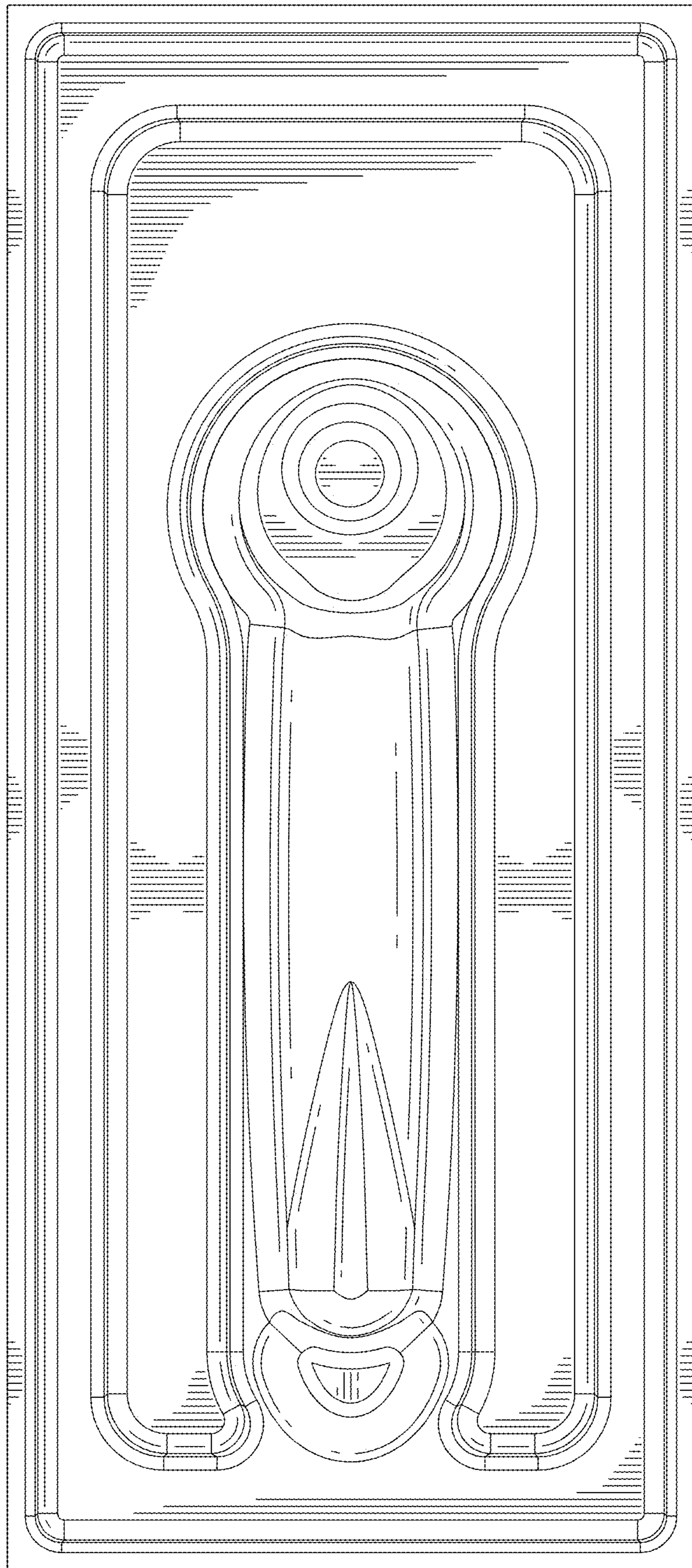


FIG. 22

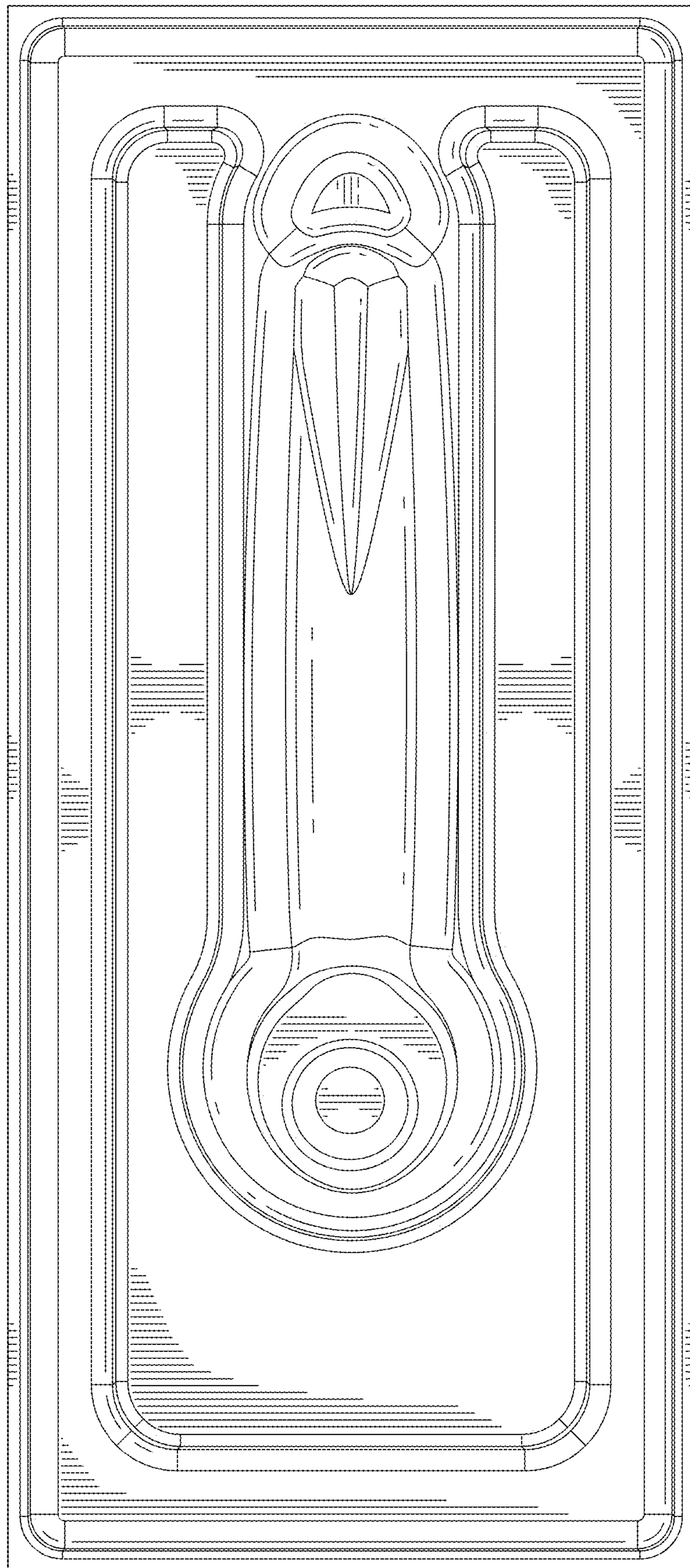


FIG. 23

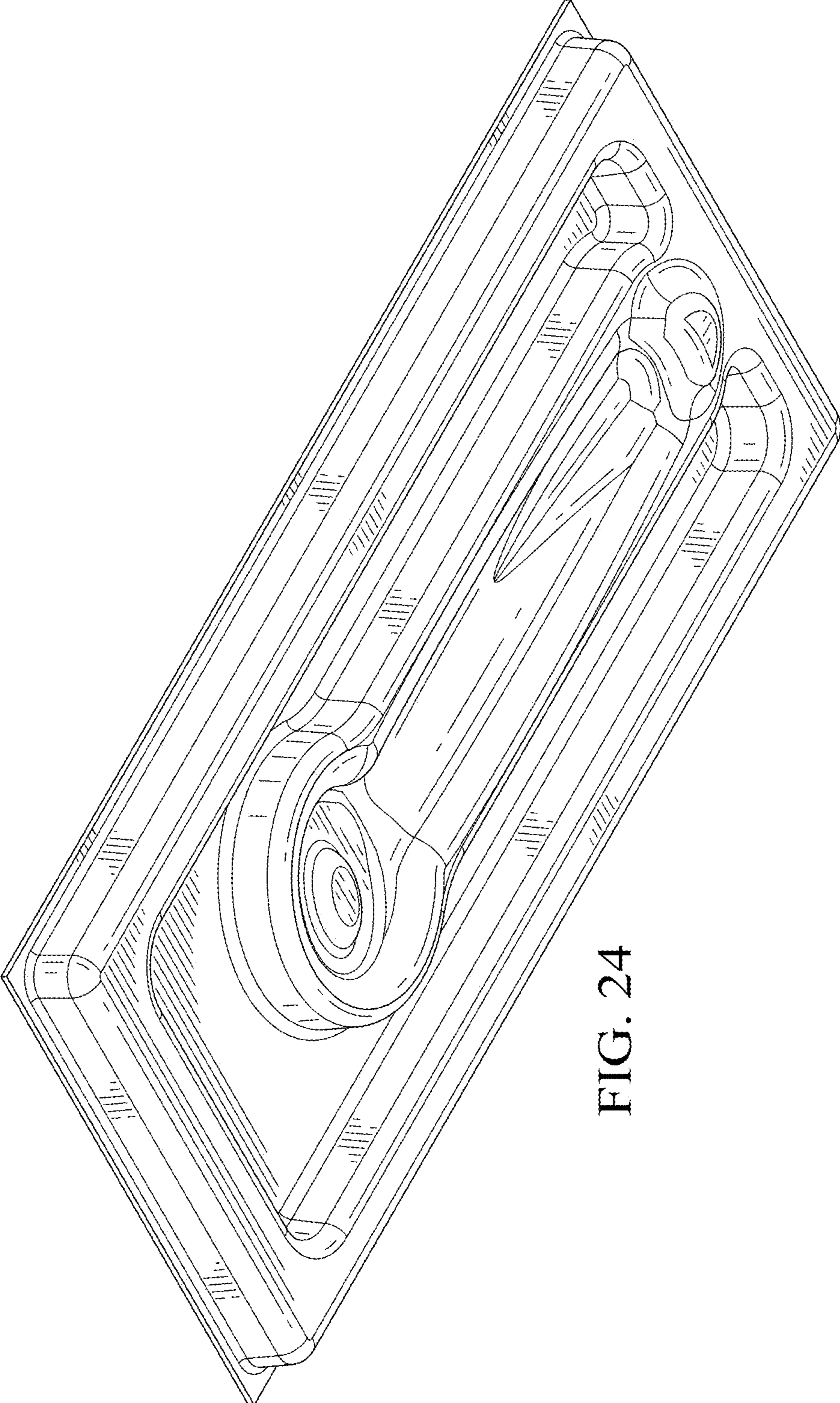


FIG. 24

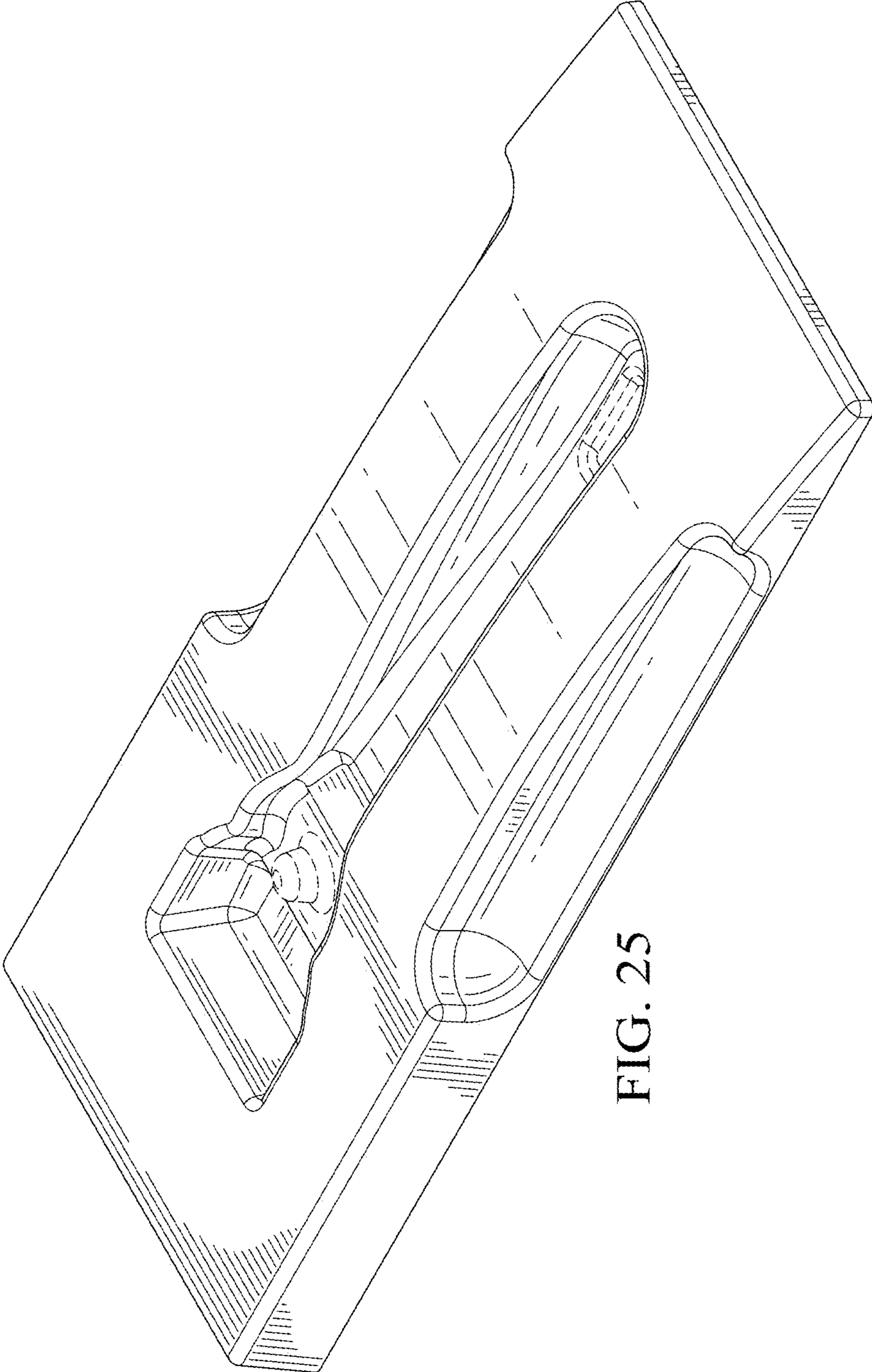


FIG. 25

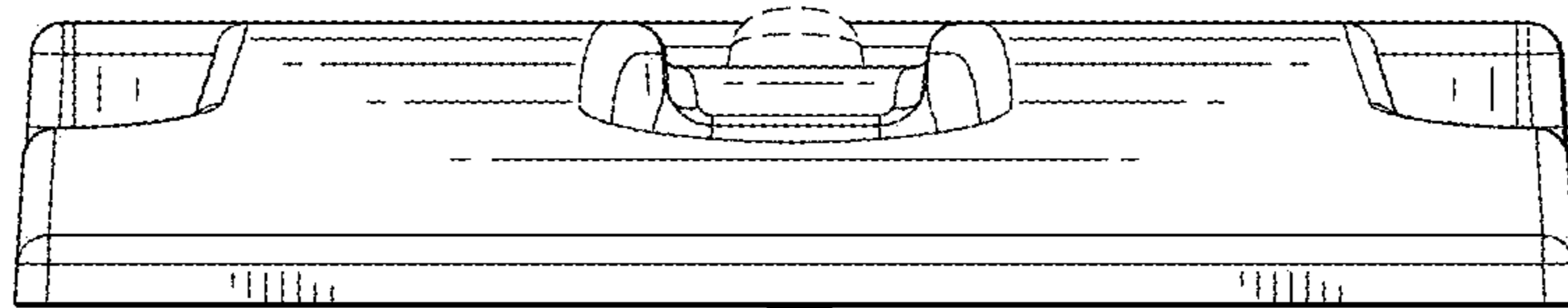


FIG. 26

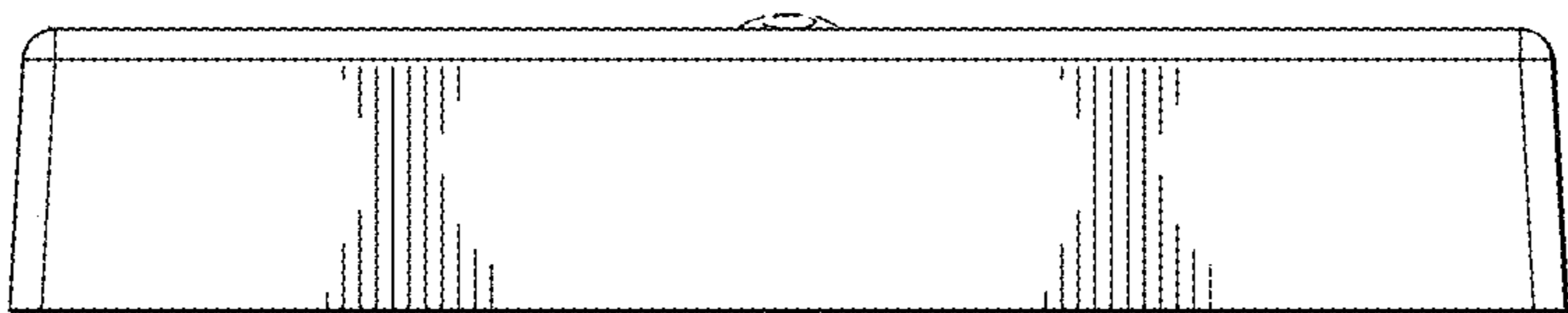


FIG. 27

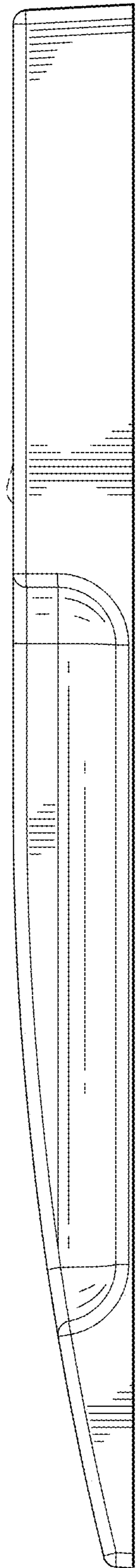


FIG. 28

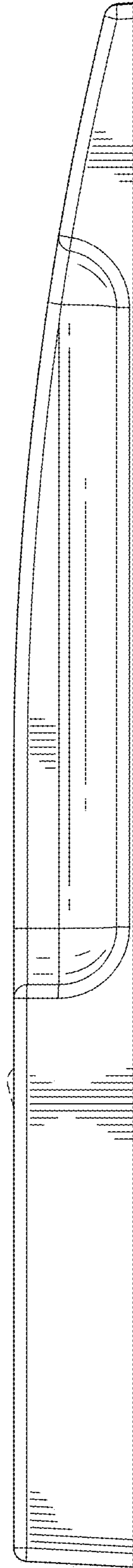


FIG. 29

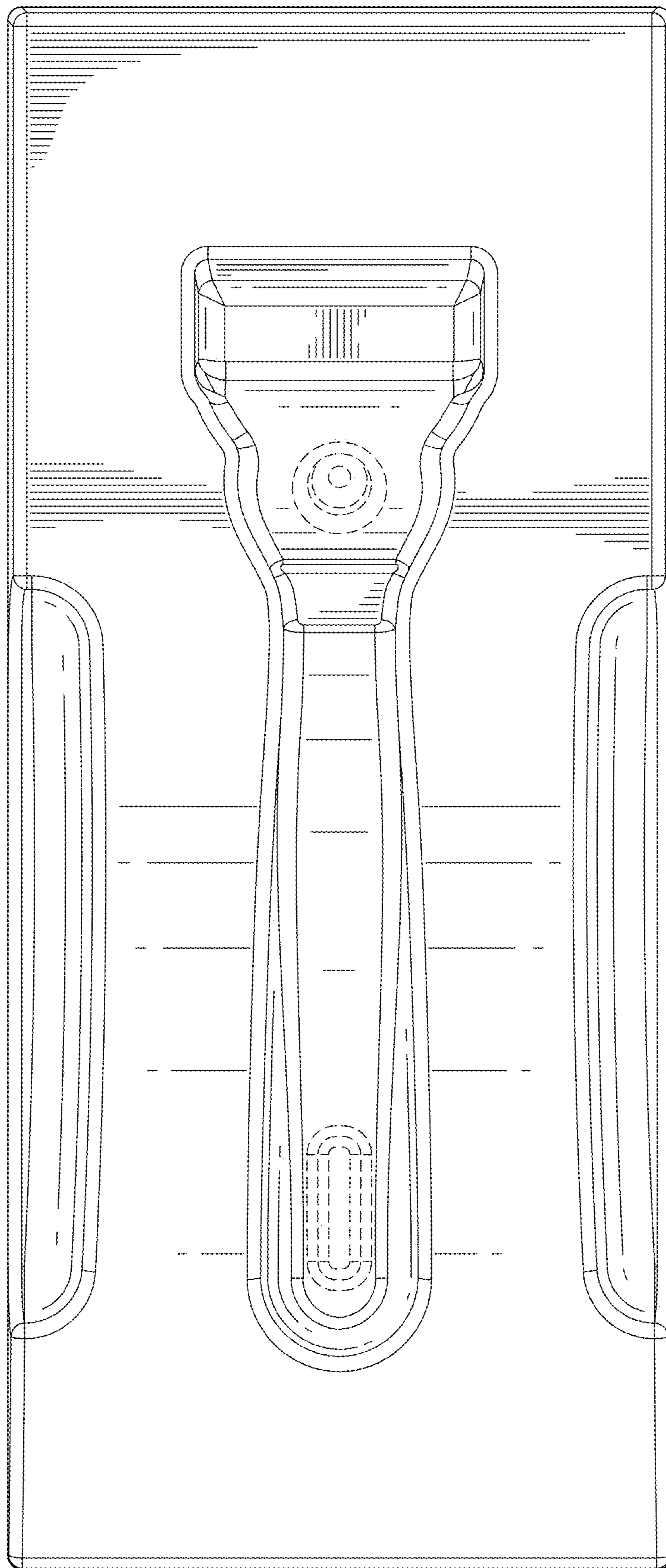


FIG. 30

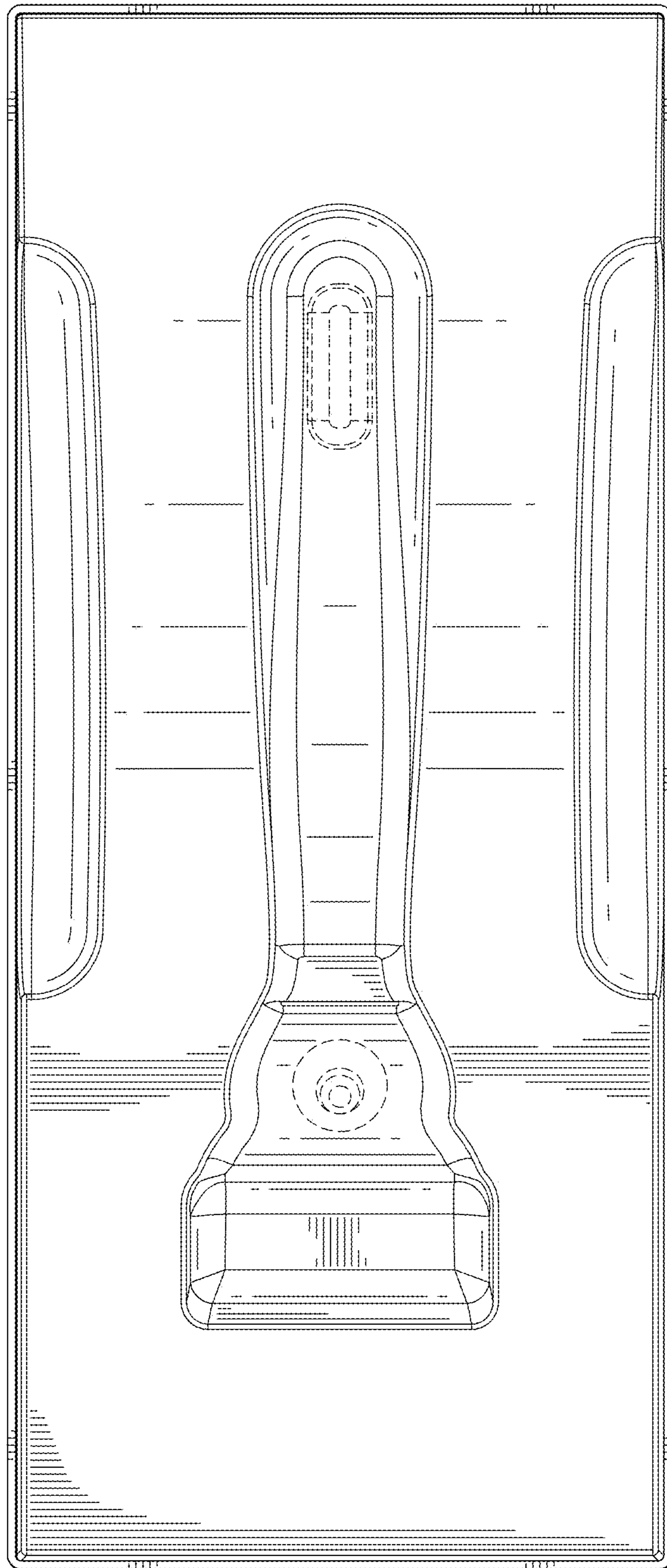


FIG. 31

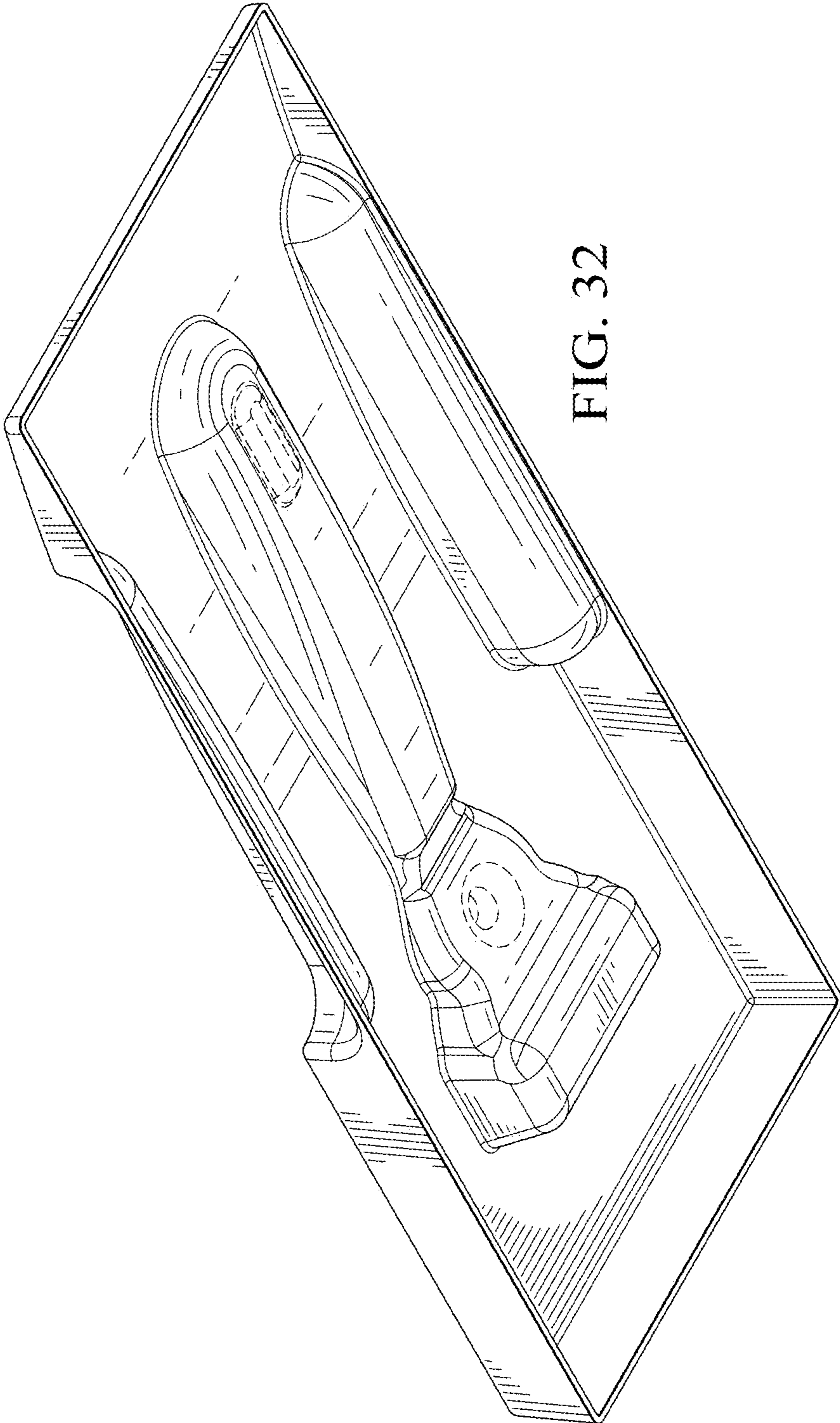


FIG. 32

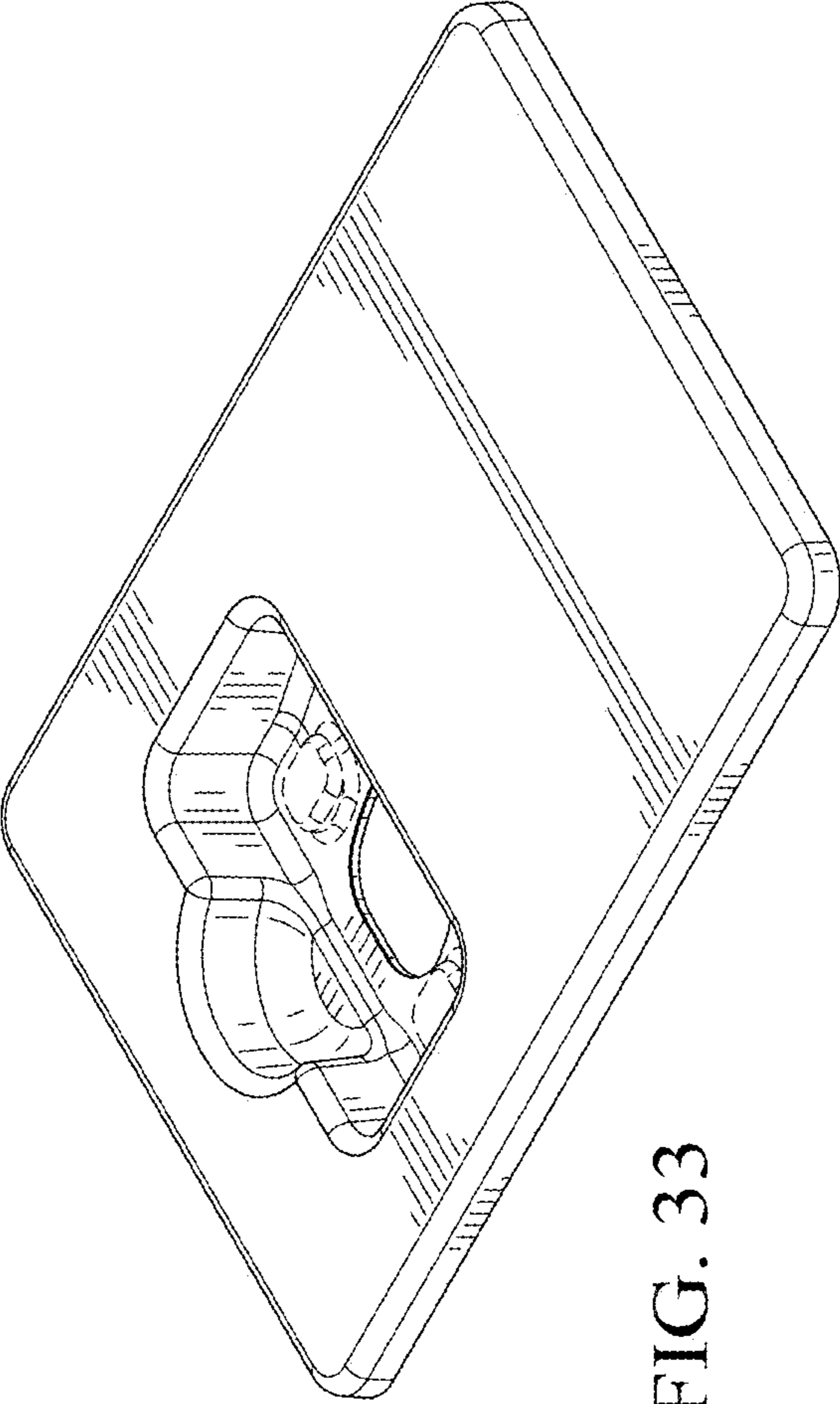


FIG. 33

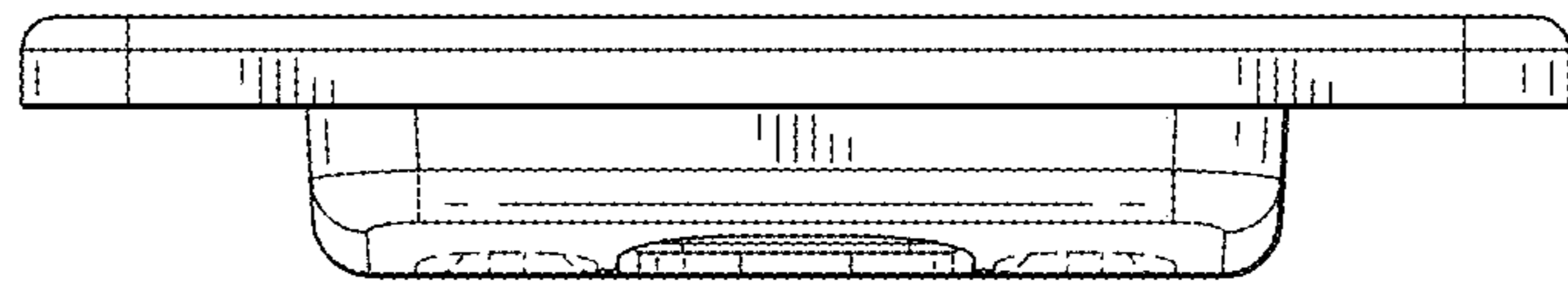


FIG. 34

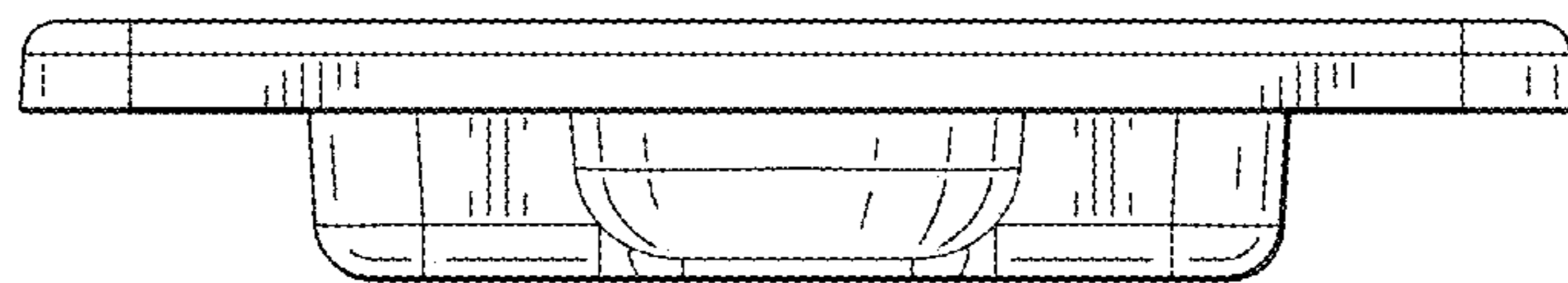


FIG. 35

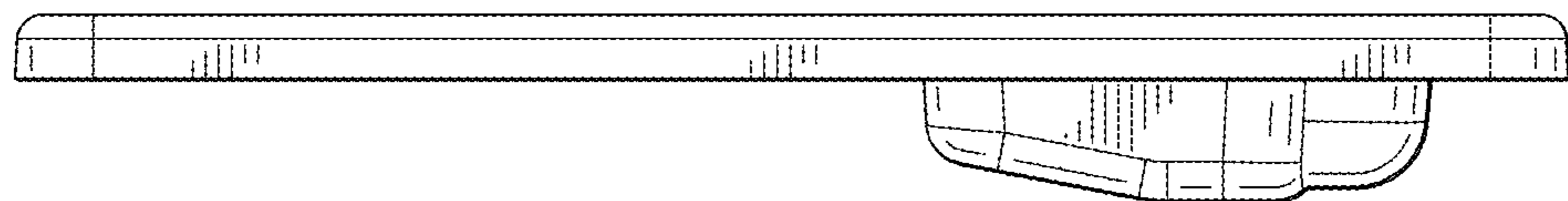


FIG. 36

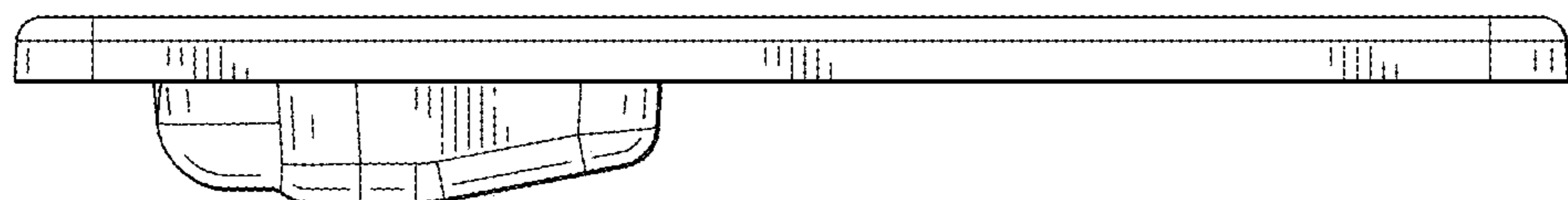


FIG. 37

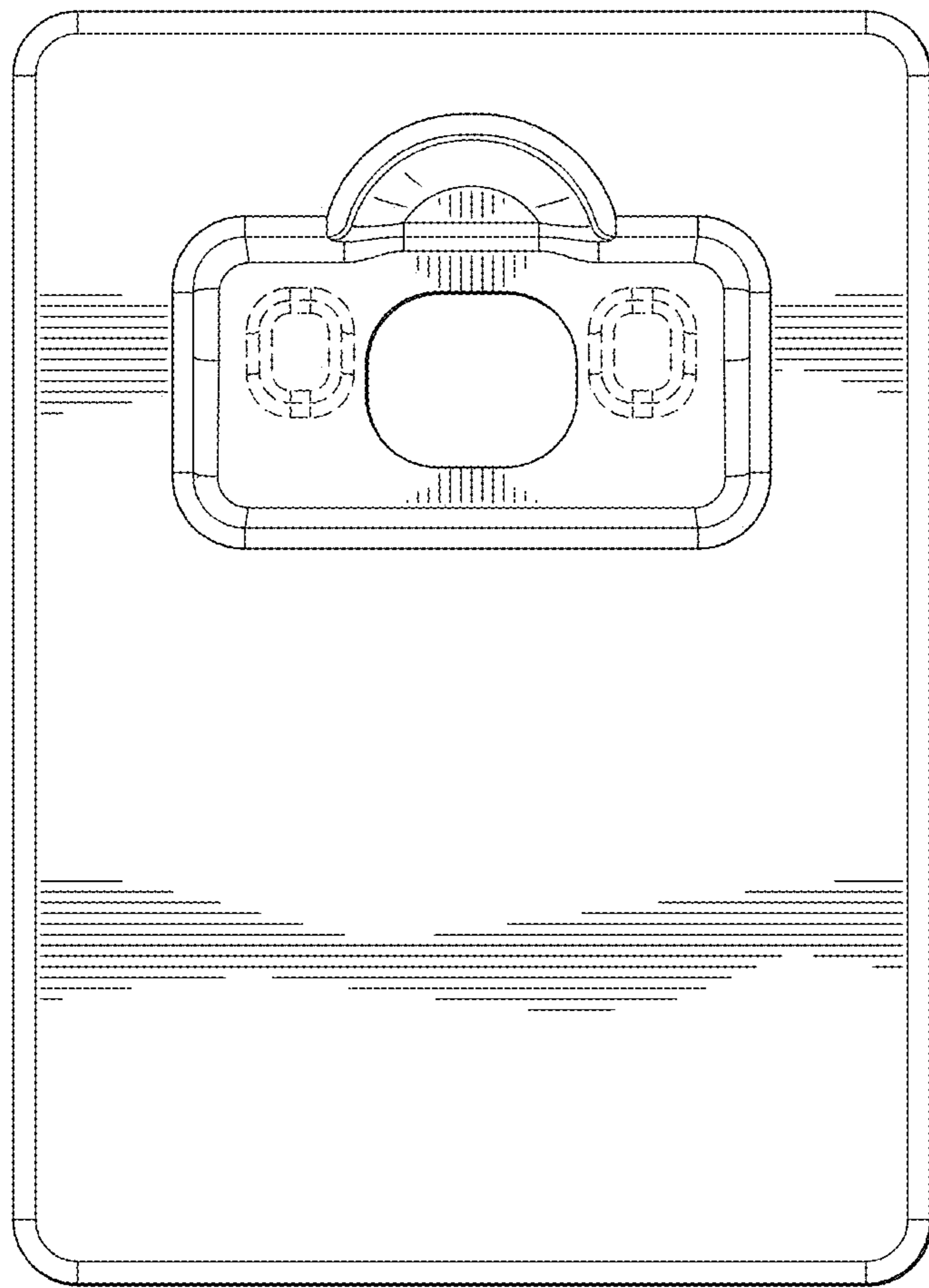


FIG. 38

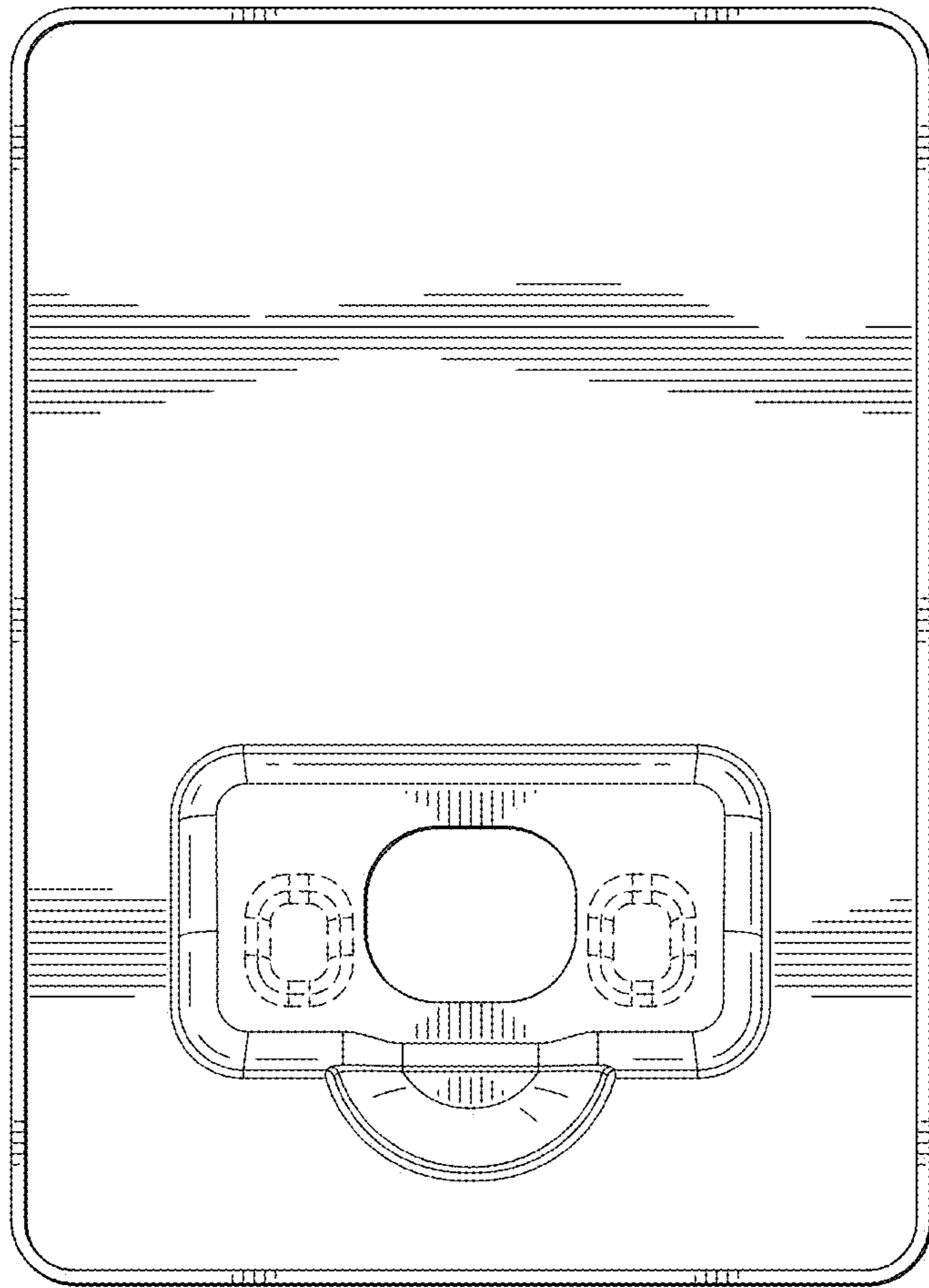


FIG. 39

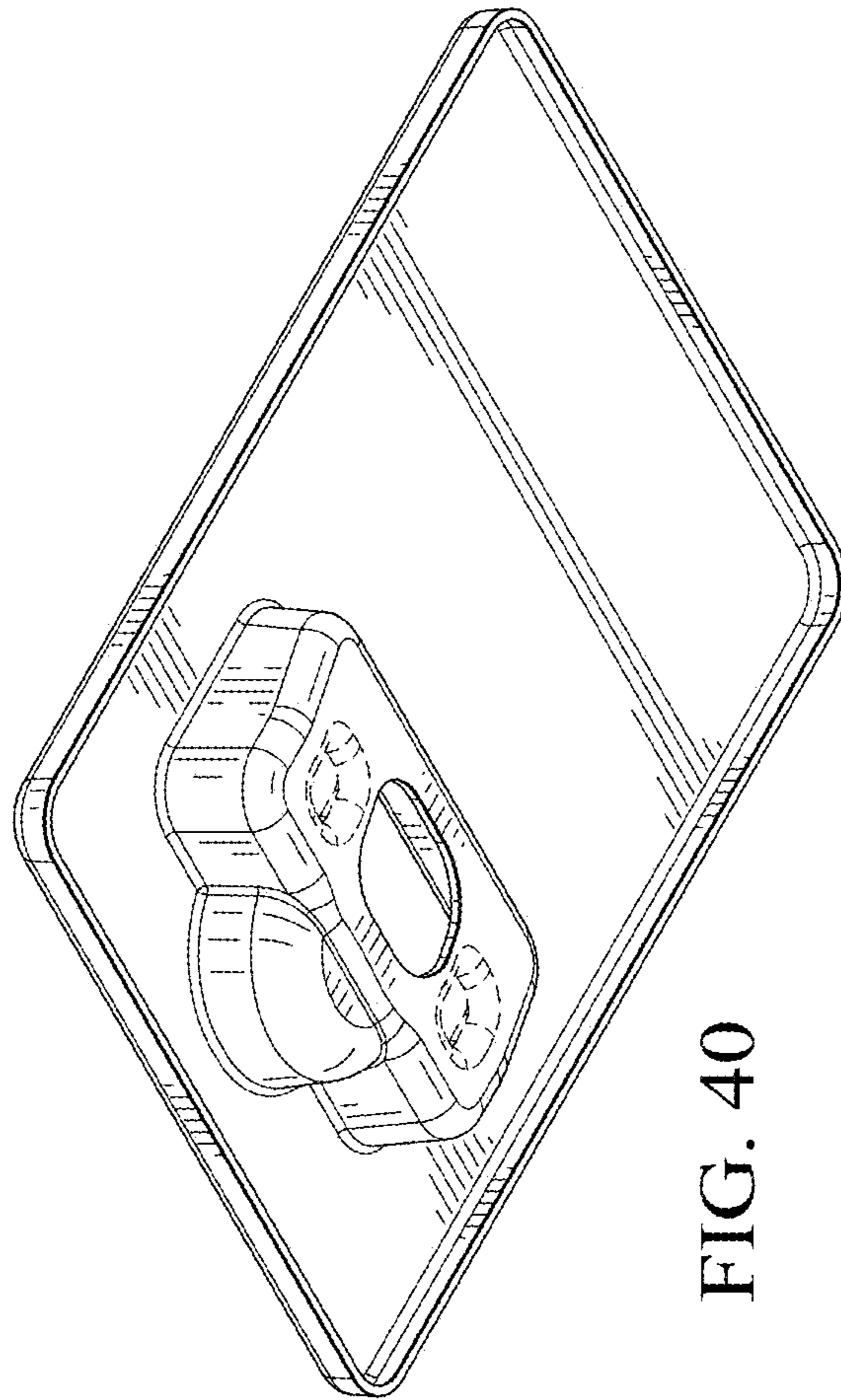


FIG. 40

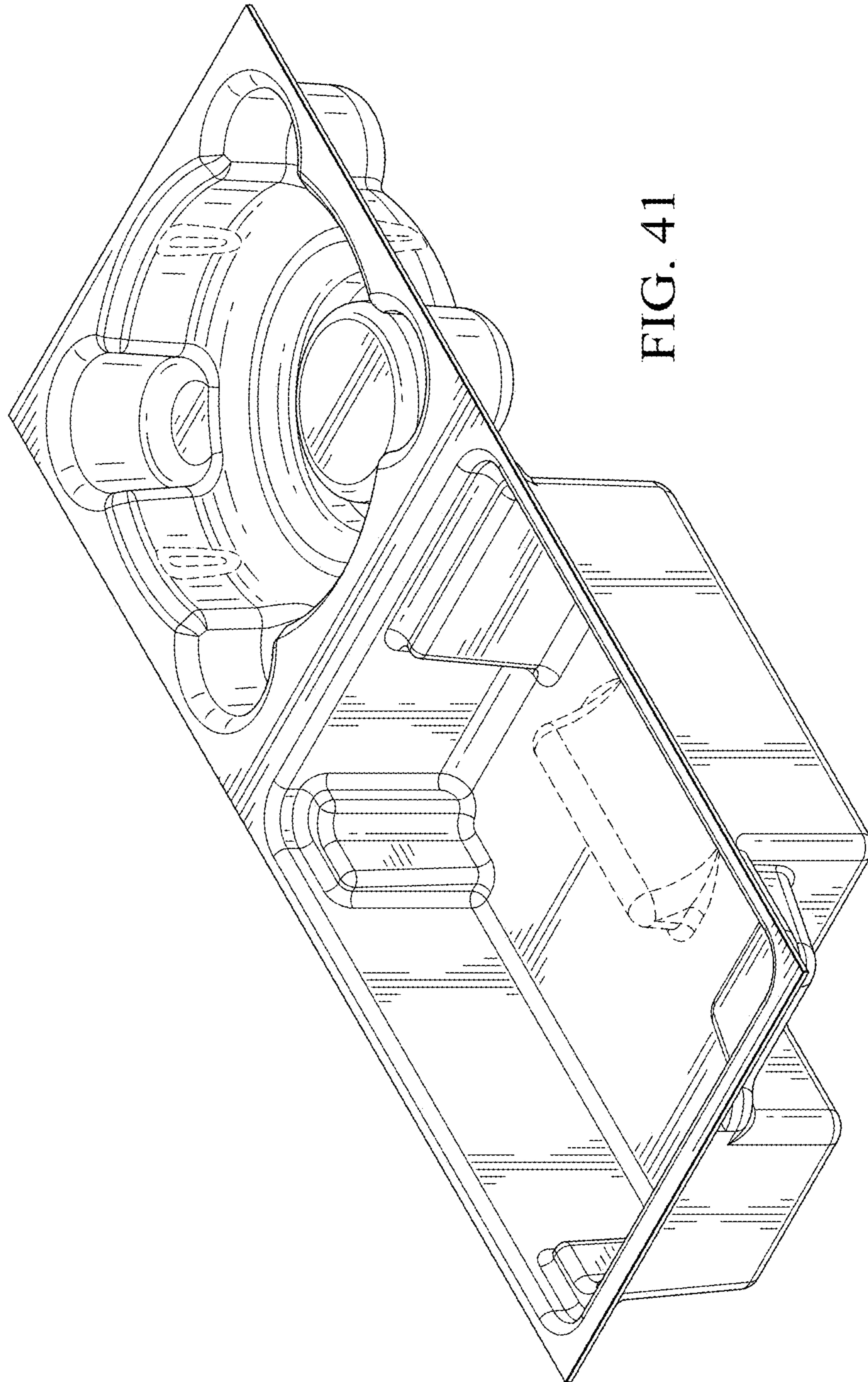


FIG. 41

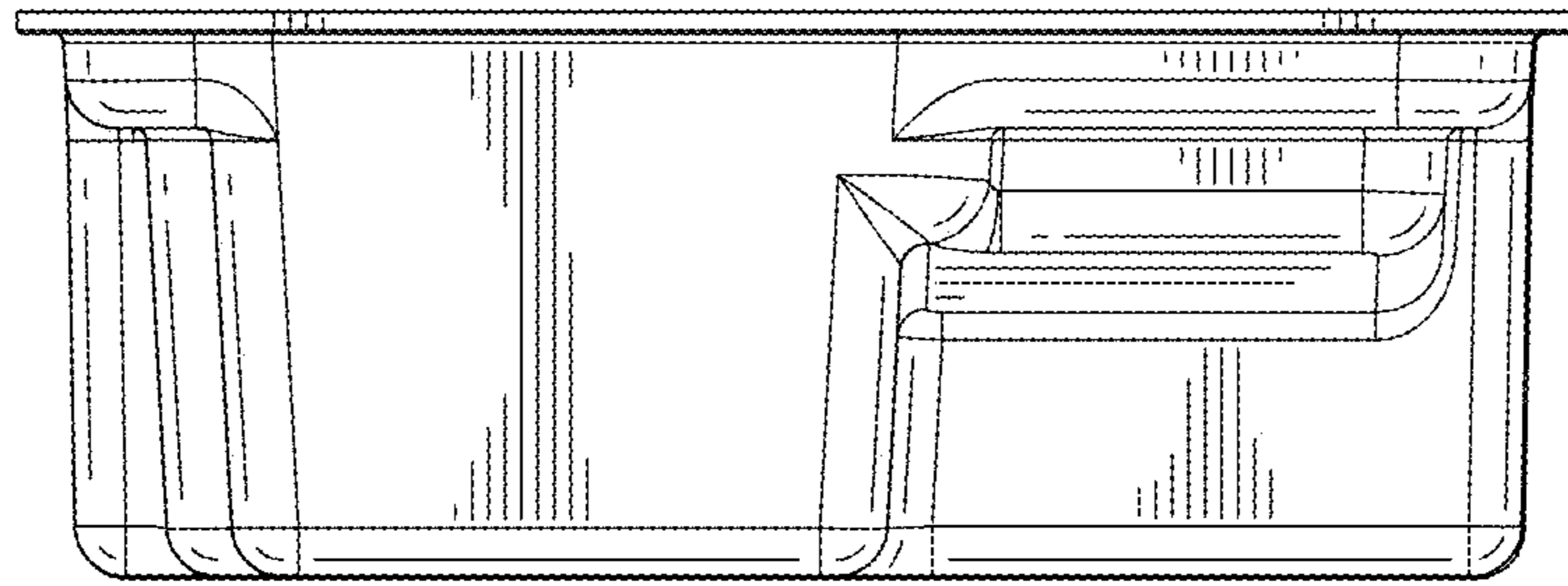


FIG. 42

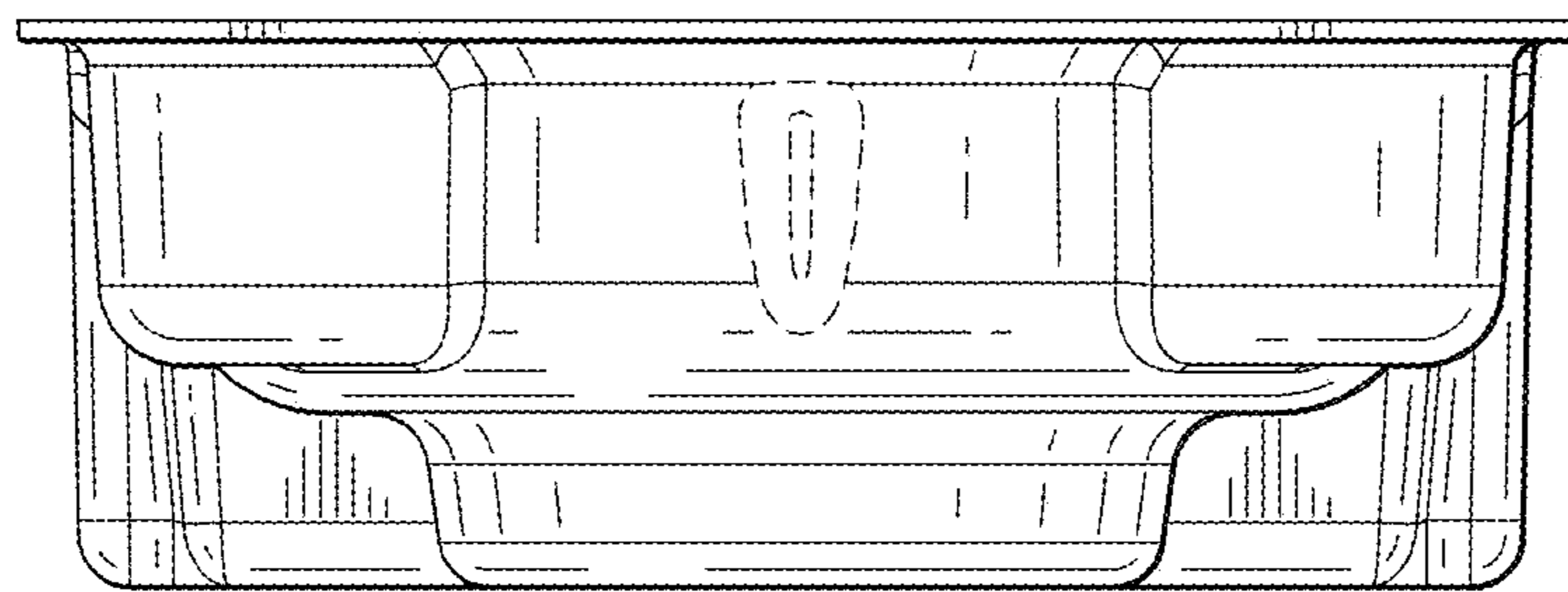


FIG. 43

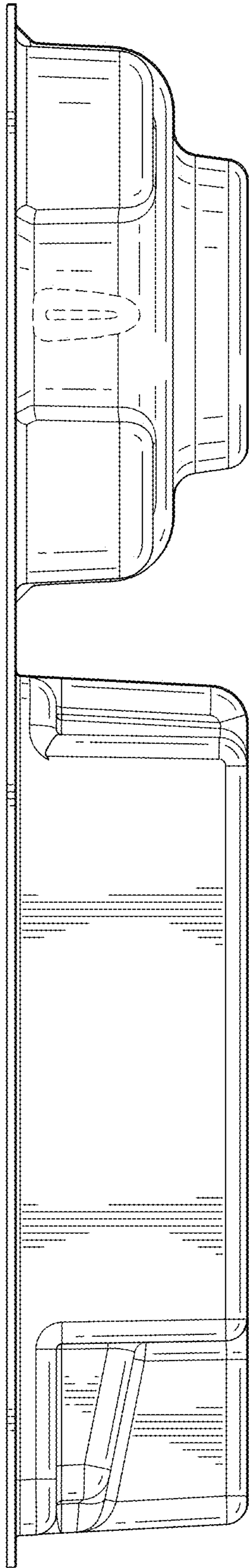


FIG. 44

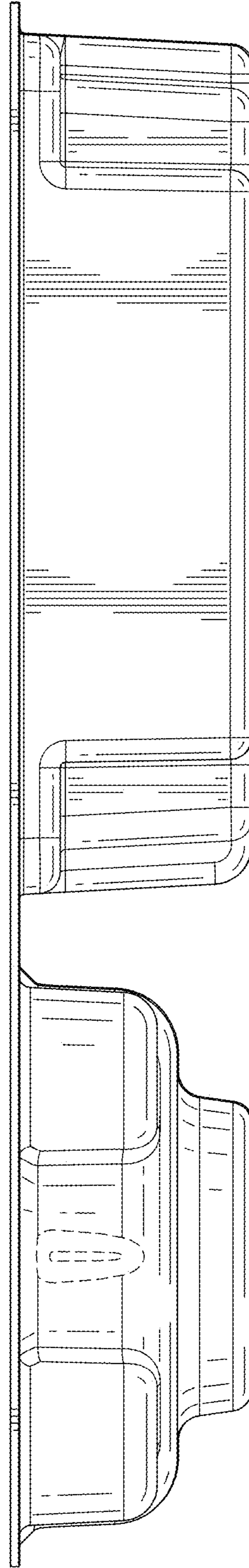


FIG. 45

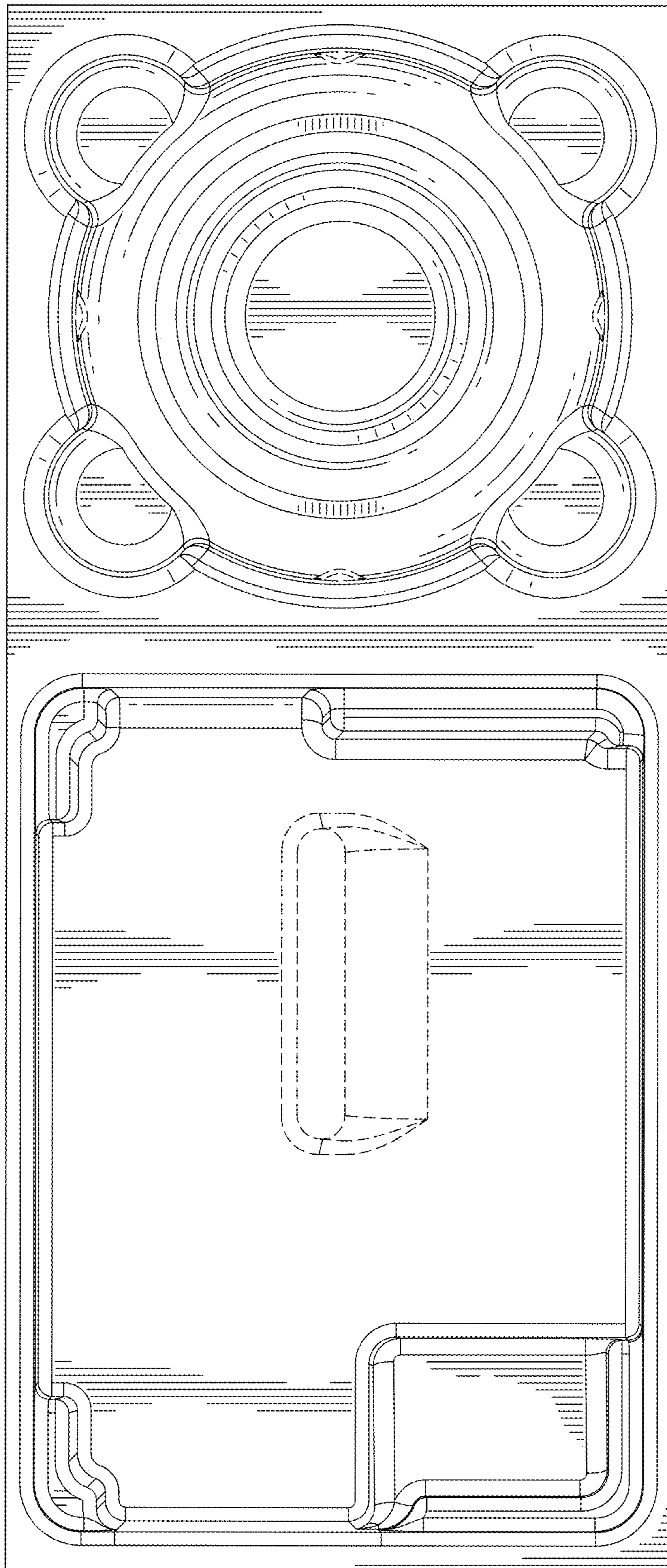


FIG. 46

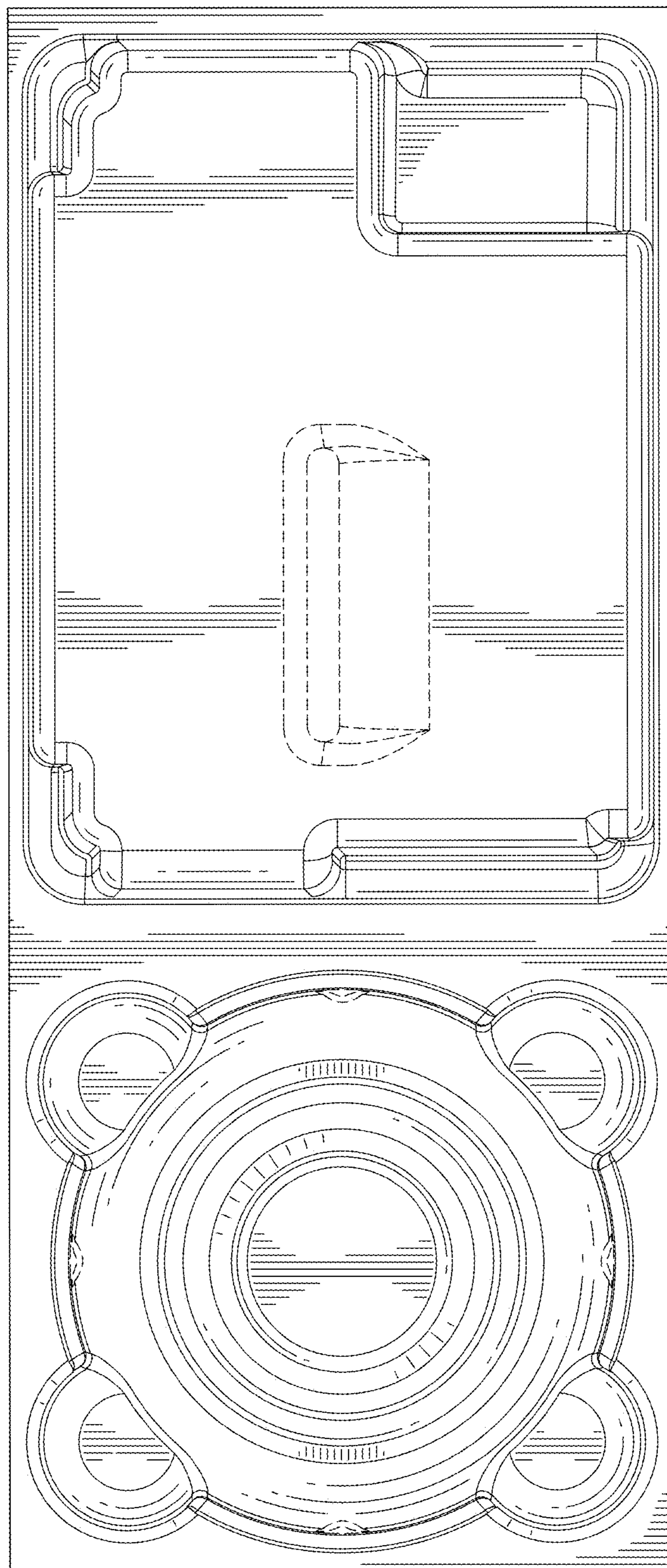


FIG. 47

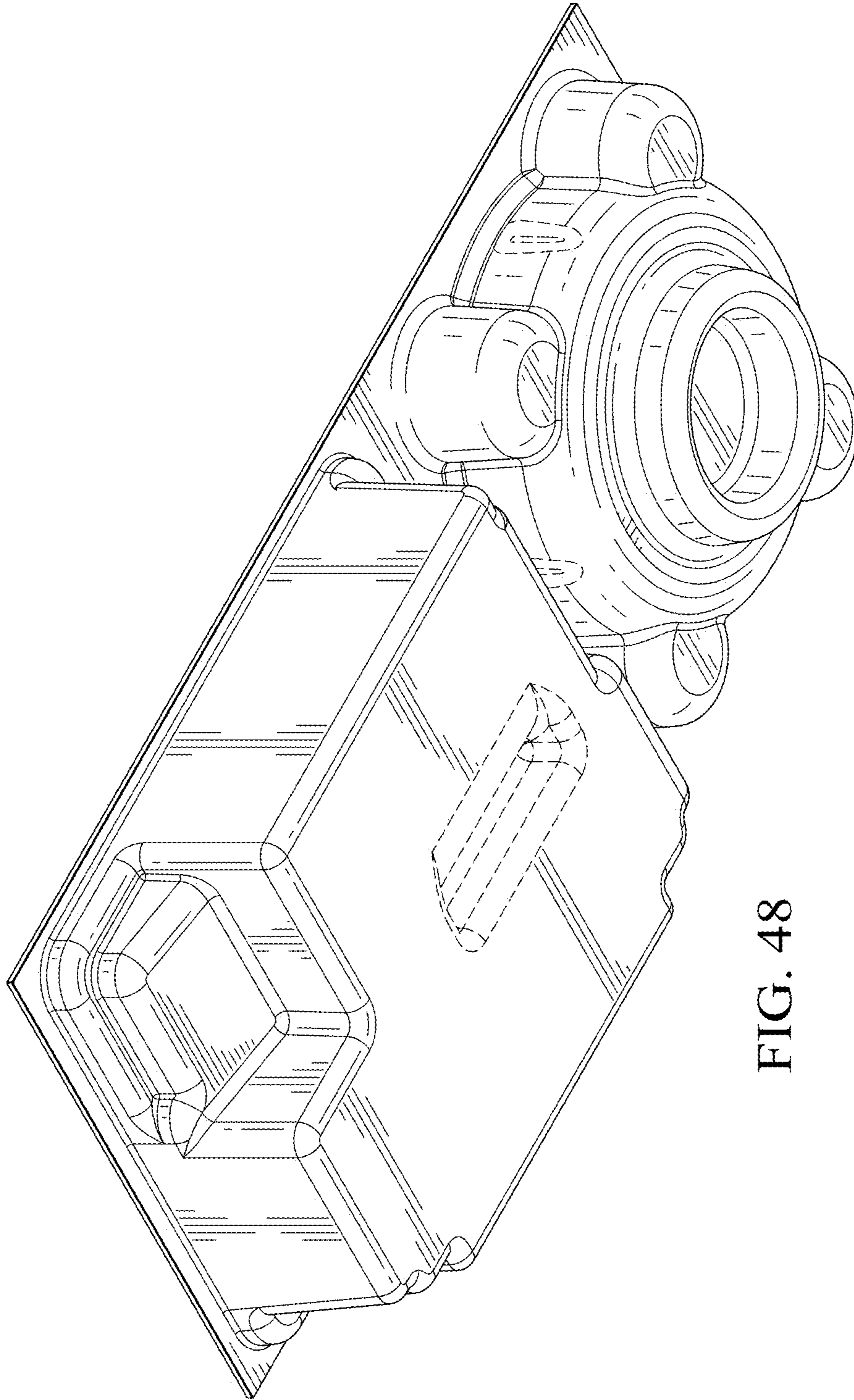


FIG. 48