



US00D883799S

(12) **United States Design Patent**
Takahashi et al.

(10) **Patent No.:** **US D883,799 S**

(45) **Date of Patent:** **** May 12, 2020**

(54) **BOTTLE**

(71) Applicant: **The Procter & Gamble Company,**
Cincinnati, OH (US)

(72) Inventors: **Erica Takahashi,** Mason, OH (US);
Juan Jose Bonilla, Cincinnati, OH
(US); **Phenphan Kitthajaroenchai,**
Cincinnati, OH (US); **Luis Peraza,**
New Albany, OH (US)

(73) Assignee: **The Procter & Gamble Company,**
Cincinnati, OH (US)

(**) Term: **15 Years**

(21) Appl. No.: **29/703,005**

(22) Filed: **Aug. 23, 2019**

(51) **LOC (12) Cl.** **09-01**

(52) **U.S. Cl.**
USPC **D9/574; D9/563; D9/571**

(58) **Field of Classification Search**
USPC D9/434, 516, 530, 542, 549, 550, 558,
D9/563, 571, 574, 715, 719
CPC B65D 1/00; B65D 1/02; B65D 1/0223;
B65D 23/00; B65D 51/32; B65D
2501/00; B65D 2501/0009; B65D
2501/0081

See application file for complete search history.

(56) **References Cited**

U.S. PATENT DOCUMENTS

D229,607 S * 12/1973 Casey et al. D9/571
D300,119 S * 3/1989 Pacquin D9/571

D346,115 S * 4/1994 Meisner D9/443
D355,369 S * 2/1995 Lund D9/558
D406,062 S * 2/1999 Brewer D9/520
D411,109 S * 6/1999 Suto D9/550
D419,890 S * 2/2000 Nosella D9/544
D421,215 S * 2/2000 Crawford D9/542
D514,448 S * 2/2006 Kuzma D9/563
D635,464 S * 4/2011 Kuzma D9/563
D863,969 S * 10/2019 Sterling D9/560

* cited by examiner

Primary Examiner — Dana Meyrow

(74) *Attorney, Agent, or Firm* — Amanda Herman
Berghauer

(57) **CLAIM**

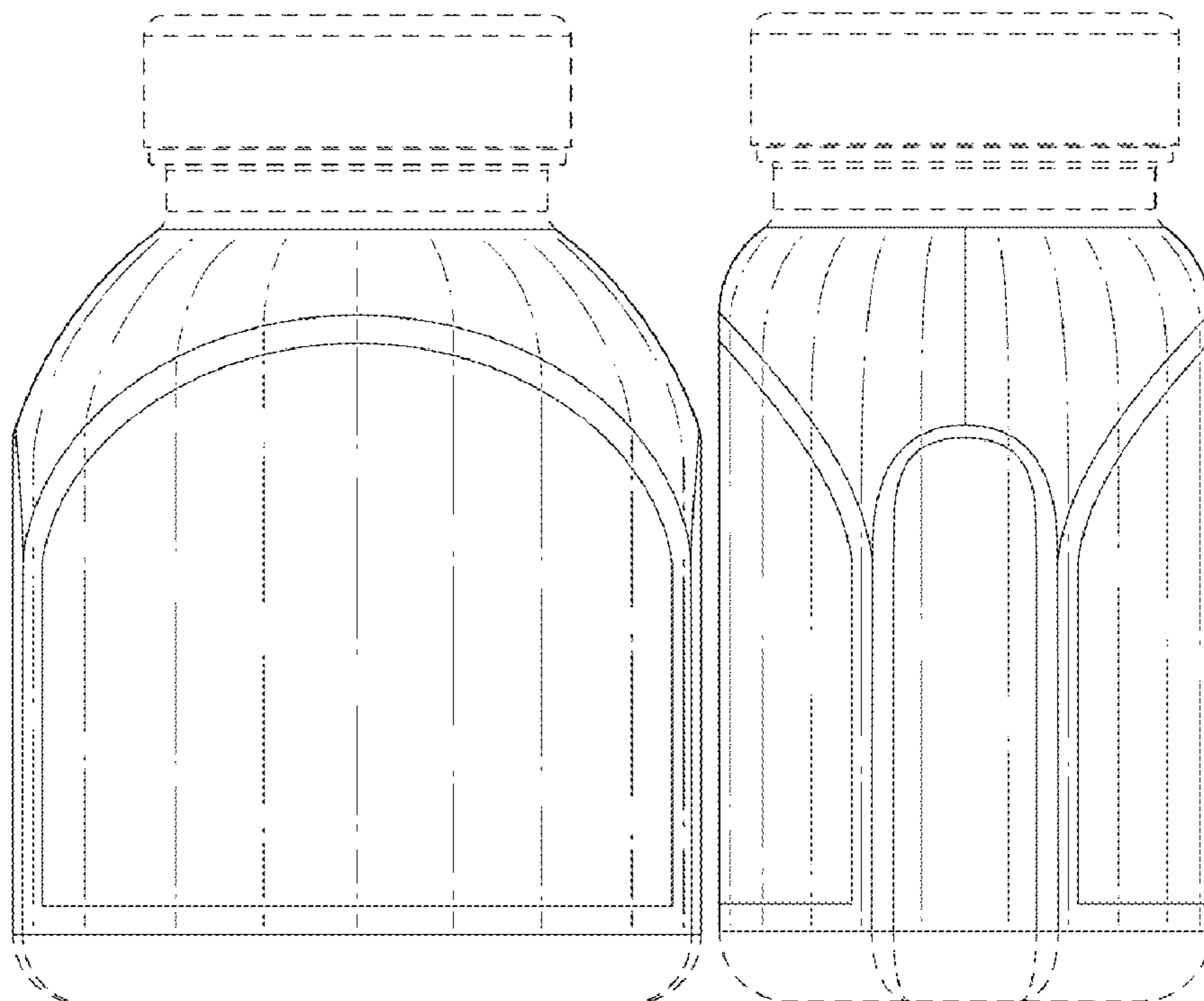
The ornamental design for a bottle, as shown and described.

DESCRIPTION

FIG. 1 is a perspective view of a bottle showing our new design;
FIG. 2 is a front view thereof;
FIG. 3 is a left side view thereof;
FIG. 4 is a back view thereof;
FIG. 5 is a right side view thereof;
FIG. 6 is a top view thereof; and,
FIG. 7 is a bottom view thereof.

The evenly broken lines are shown for the purpose of illustrating parts of the article that form no part of the claim.

1 Claim, 2 Drawing Sheets



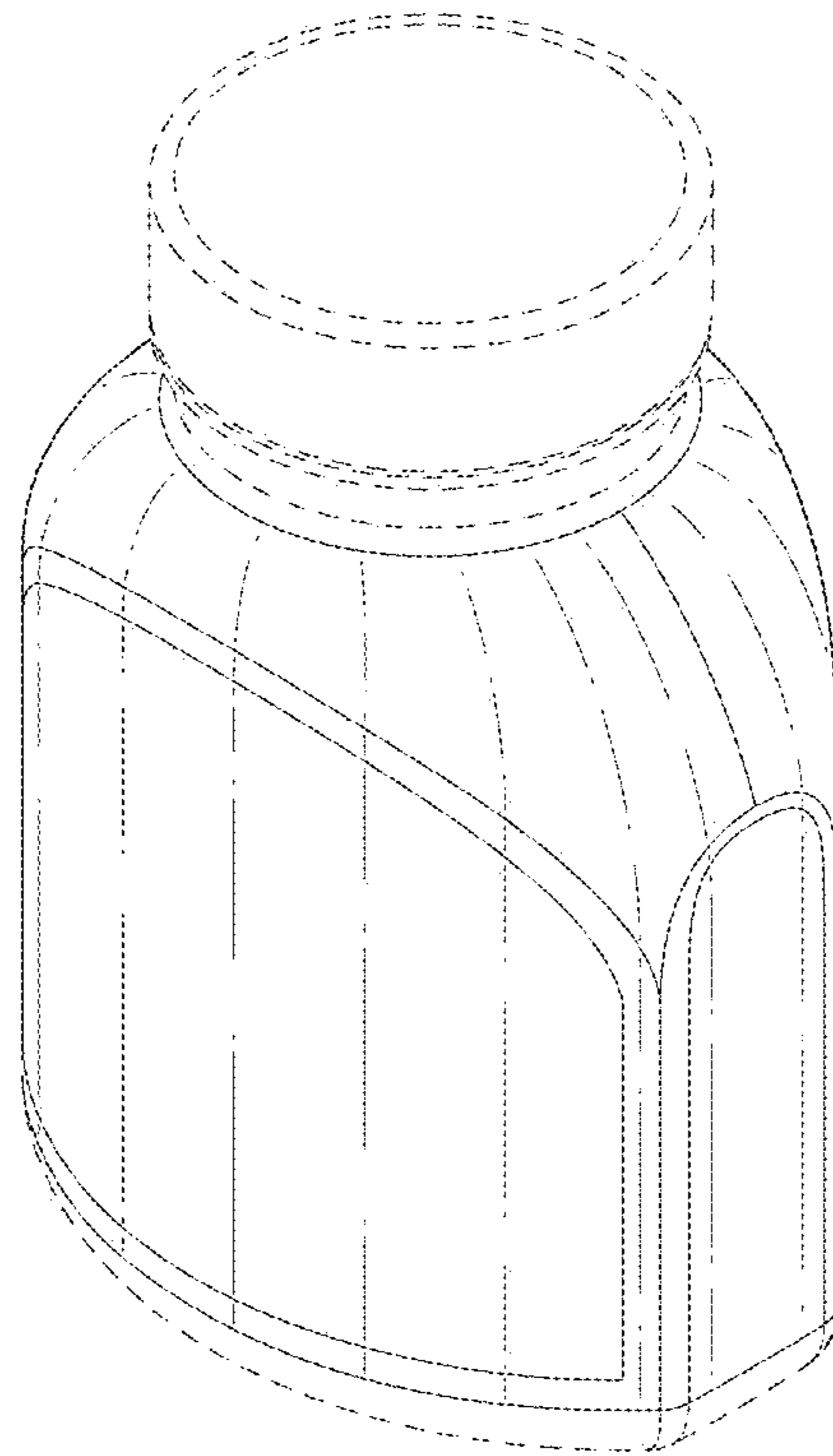


FIG. 1

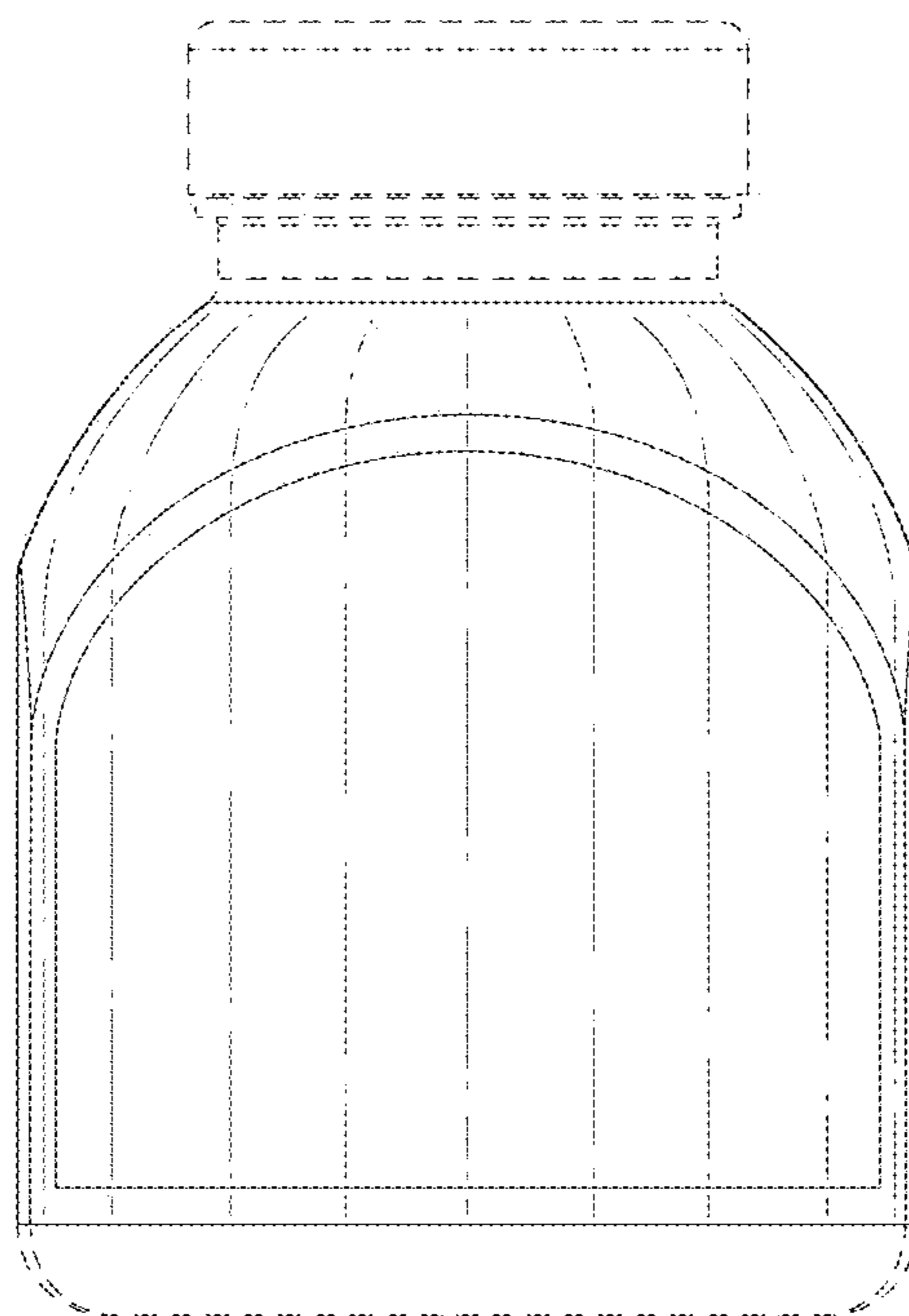


FIG. 2

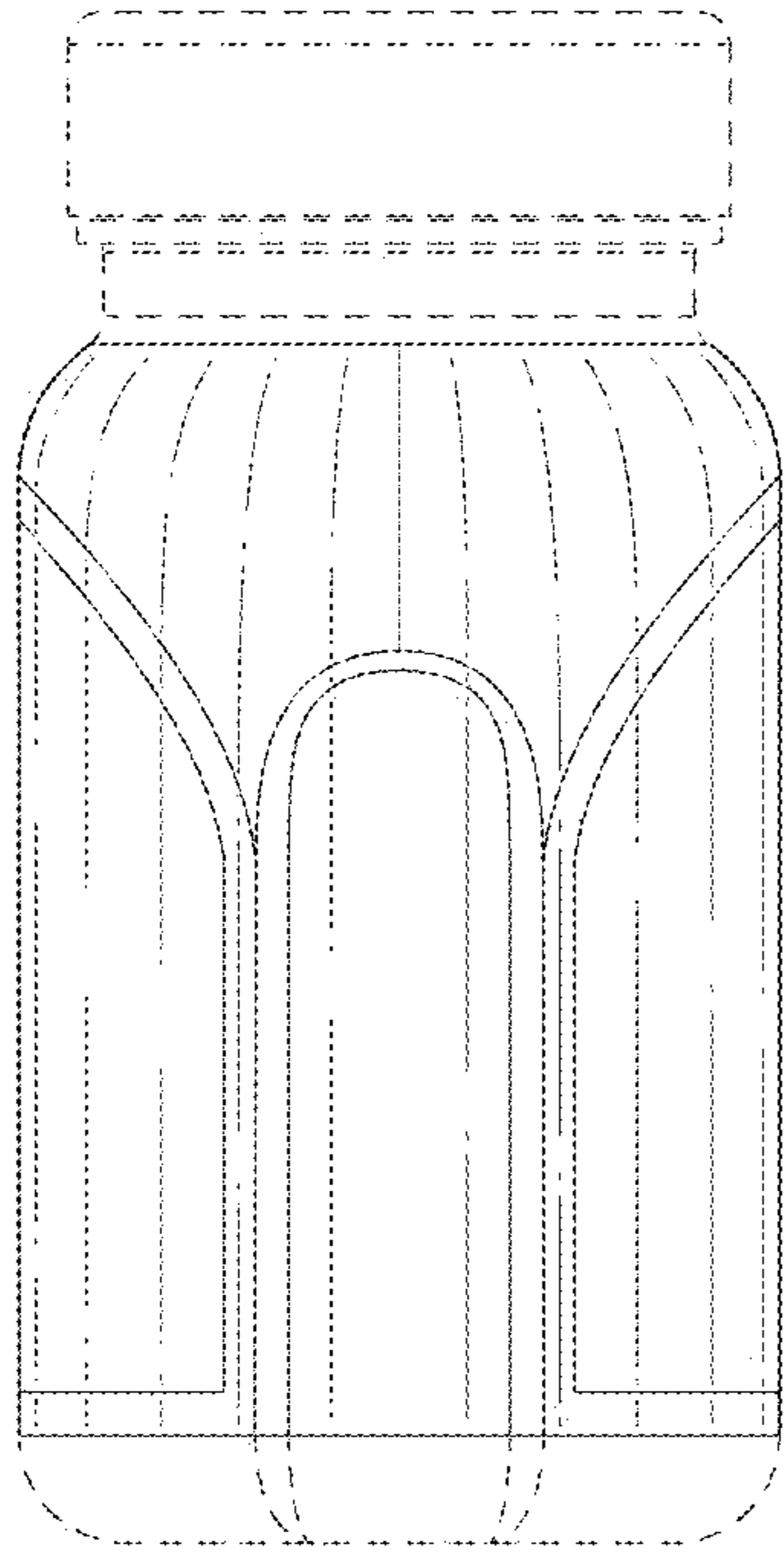


FIG. 3

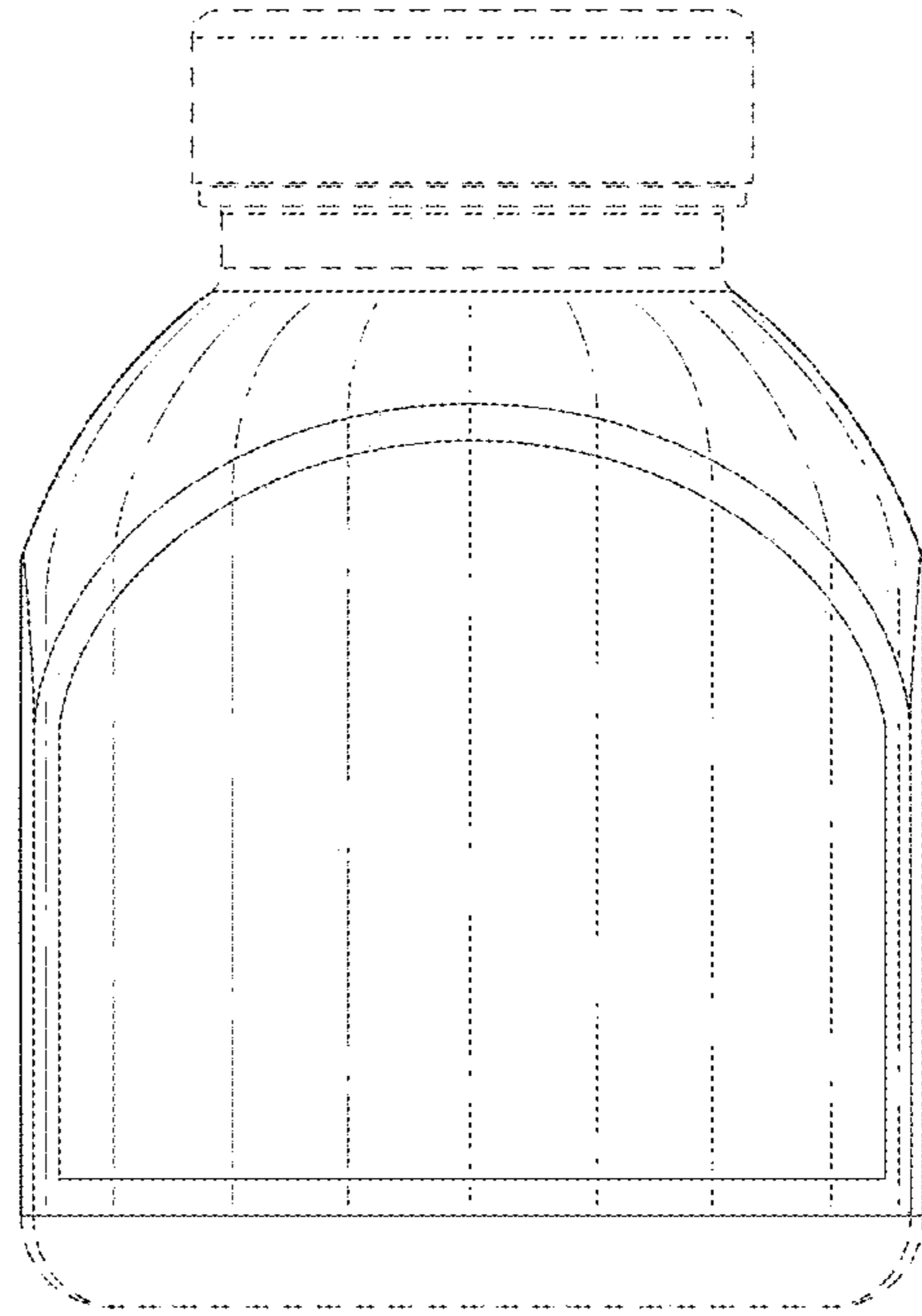


FIG. 4

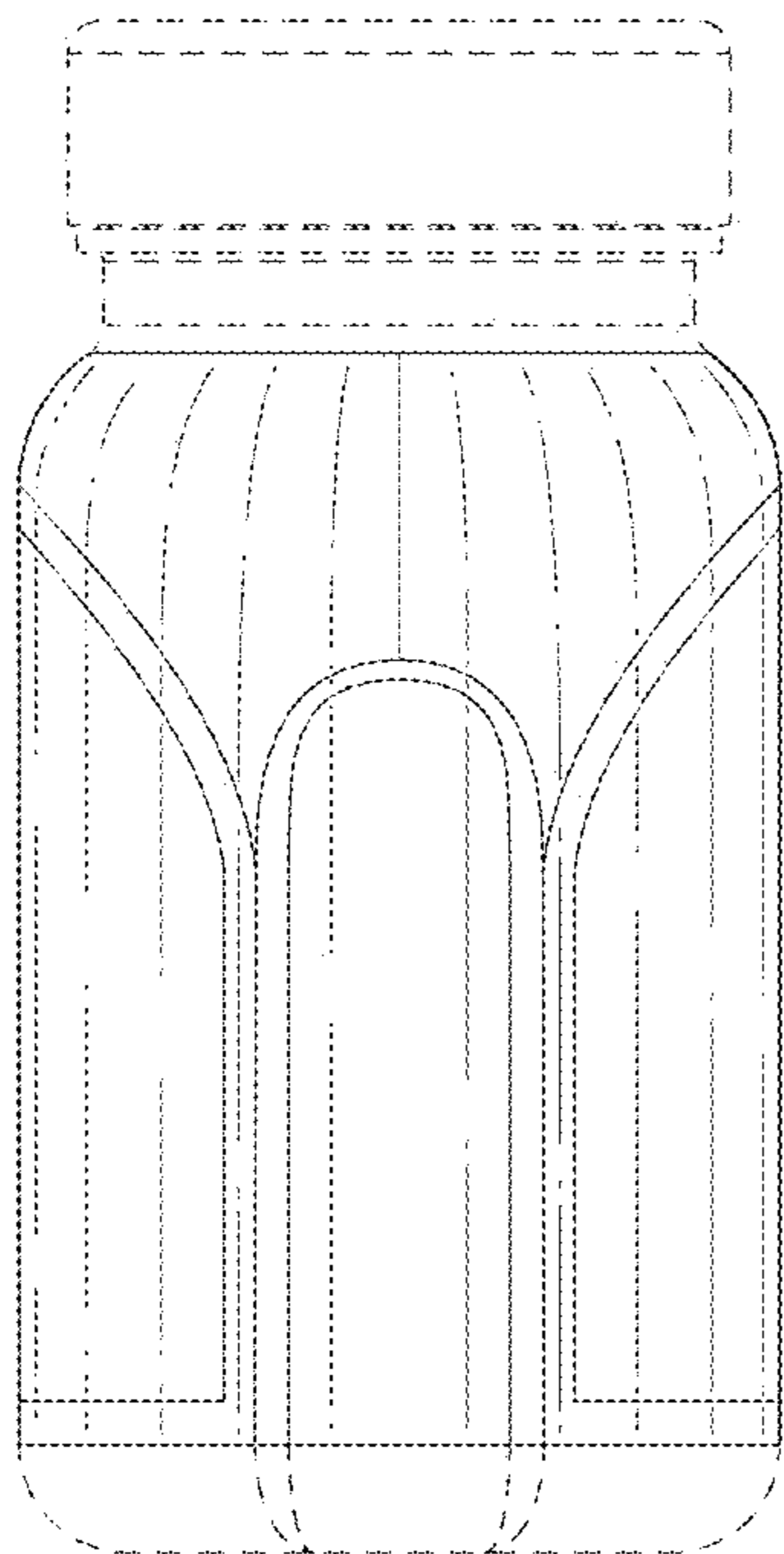


FIG. 5

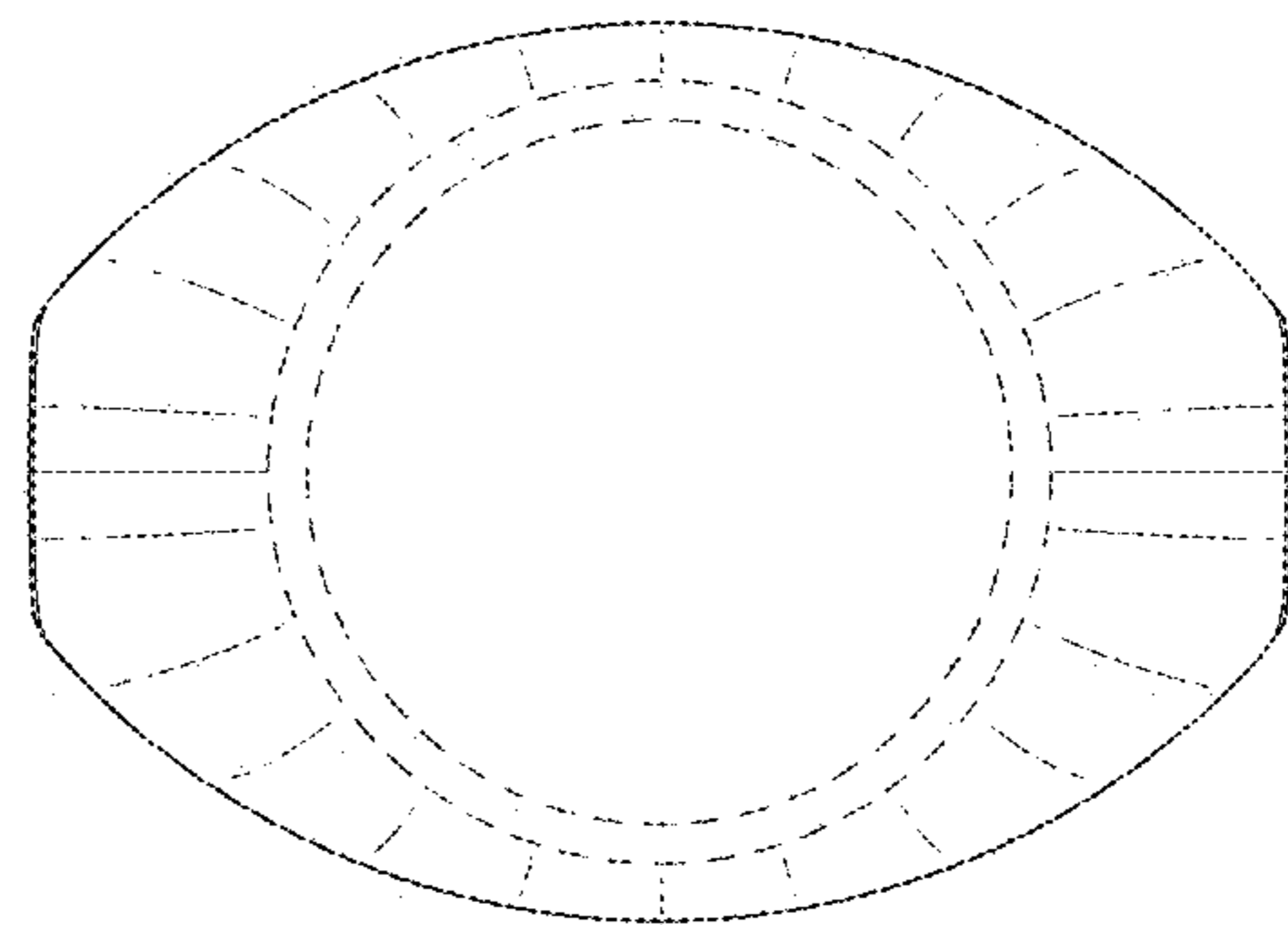


FIG. 6

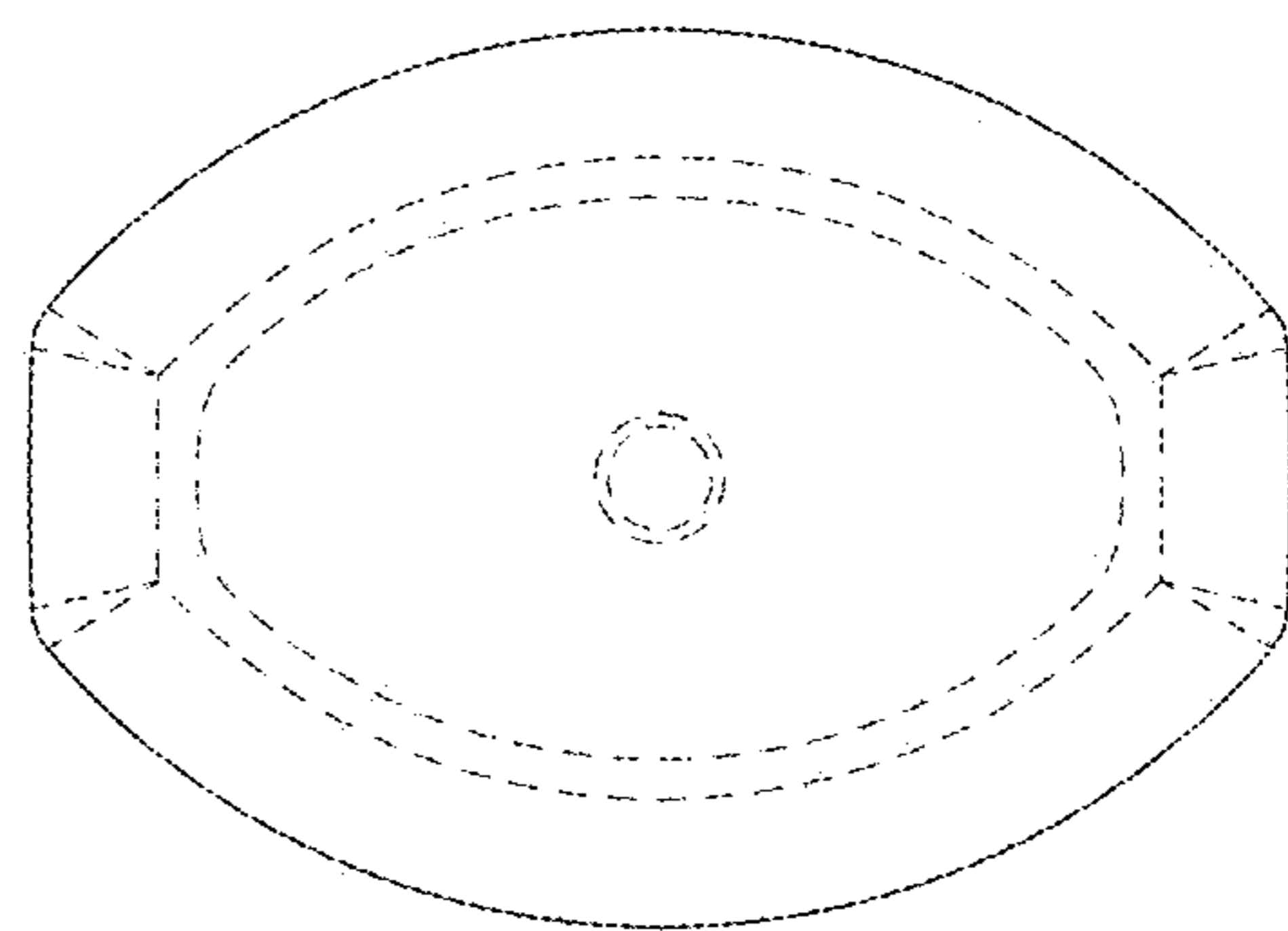


FIG. 7