



US00D883793S

(12) **United States Design Patent**
Macaluso et al.

(10) **Patent No.:** **US D883,793 S**

(45) **Date of Patent:** **** May 12, 2020**

- (54) **COSMETIC CONTAINER**
- (71) Applicant: **The Burt's Bees Products Company**,
Oakland, CA (US)
- (72) Inventors: **Jennie Macaluso**, Durham, NC (US);
Julian Perpignano, Durham, NC (US);
Nicholas DiMucci, Durham, NC (US);
Whitney Gibbs, Durham, NC (US)
- (73) Assignee: **The Burt's Bees Products Company**,
Oakland, CA (US)
- (**) Term: **15 Years**
- (21) Appl. No.: **29/644,550**
- (22) Filed: **Apr. 18, 2018**
- (51) **LOC (12) Cl.** **09-01**
- (52) **U.S. Cl.**
USPC **D9/529**; D9/566; D9/575
- (58) **Field of Classification Search**
USPC D9/432, 434-436, 452, 516, 529, 544,
D9/546, 559, 560, 566, 570-575, 715,
D9/719; D28/4, 7, 76, 83, 85
CPC B65D 21/0204; B65D 2501/0081
See application file for complete search history.

(56) **References Cited**

U.S. PATENT DOCUMENTS

2,007,245	A	7/1935	Alexandre	
D462,144	S	* 8/2002	Gaydon	D28/76
D471,324	S	* 3/2003	Kalin	D28/77
D532,937	S	* 11/2006	Noh	D28/76
D538,478	S	* 3/2007	Chen	D28/85
D539,983	S	* 4/2007	Nobuto	D28/85
D561,593	S	* 2/2008	Gomez	D9/529
D563,051	S	2/2008	Martinez	
D567,447	S	4/2008	Lee	

D571,219	S	* 6/2008	McCoy	D9/544
7,448,767	B2	* 11/2008	Zhang	A45D 34/045 362/118
D644,108	S	* 8/2011	Vila Calvo	D9/529
D667,999	S	9/2012	Sheffield	
D668,143	S	* 10/2012	Akana	D14/496
D709,379	S	* 7/2014	Moretti	D9/529
D712,596	S	* 9/2014	Lee	D28/77
D715,653	S	* 10/2014	Lavigne	D9/529
D734,550	S	* 7/2015	Schlatter	D28/83
D737,522	S	8/2015	Lavigne et al.	
D744,166	S	* 11/2015	Chertoff	D28/85
D744,167	S	* 11/2015	Chertoff	D28/85
D766,093	S	* 9/2016	Otani	D9/452
D785,458	S	* 5/2017	Futagami	D9/529
D790,135	S	* 6/2017	Macaluso	D28/85
D799,328	S	* 10/2017	Canamasas Puigbo	D9/529
D799,754	S	* 10/2017	Chertoff	D28/85
D800,566	S	* 10/2017	Wieland	D9/529
D808,280	S	* 1/2018	Nagata	D9/560
D833,879	S	* 11/2018	Staab	D9/529
D842,613	S	* 3/2019	Flynn	D4/108

* cited by examiner

Primary Examiner — Shannon W Morgan

Assistant Examiner — Keith Frank

(74) *Attorney, Agent, or Firm* — Ann Lee

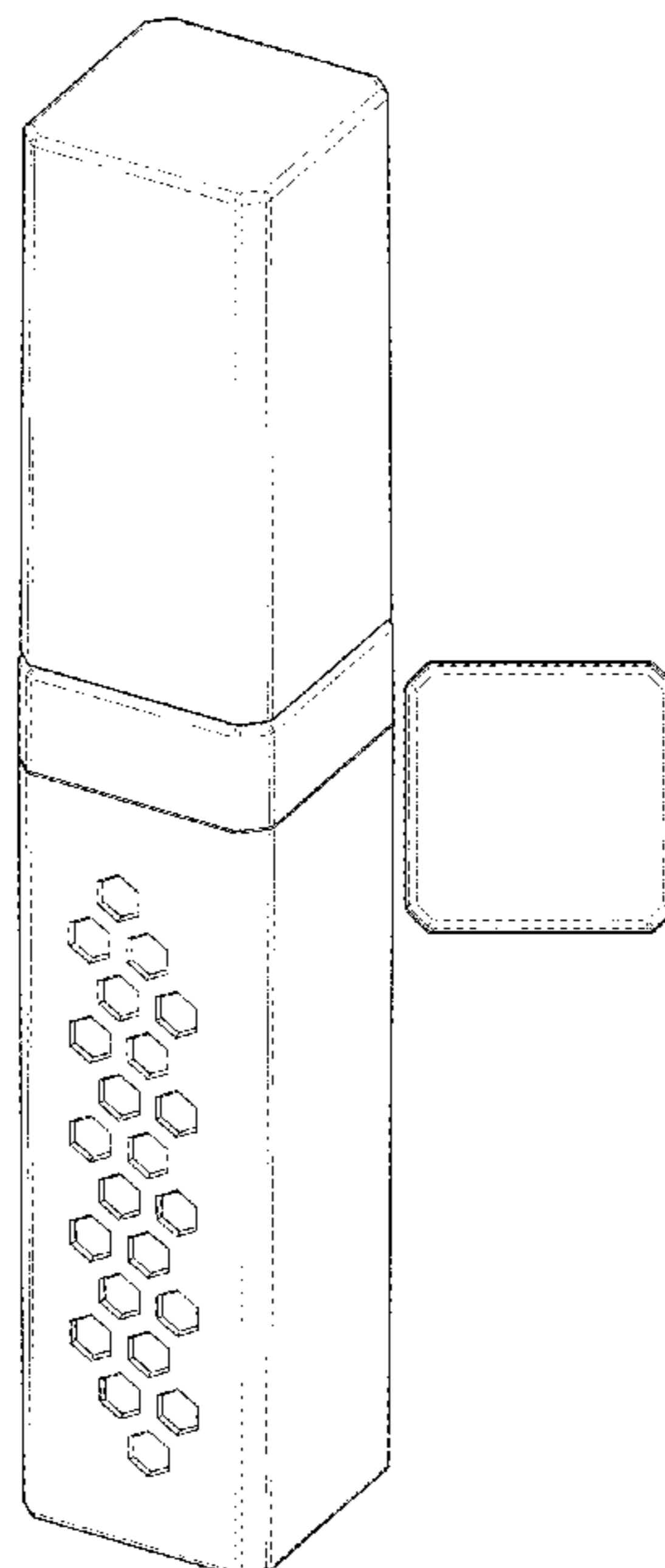
(57) **CLAIM**

The ornamental design for a cosmetic container, as shown and described.

DESCRIPTION

FIG. 1 is a perspective view of a cosmetic container in a closed position according to our new design;
FIG. 2 is a front view thereof;
FIG. 3 is a right side view thereof;
FIG. 4 is a left side view thereof; and,
FIG. 5 is a top view thereof.

1 Claim, 4 Drawing Sheets



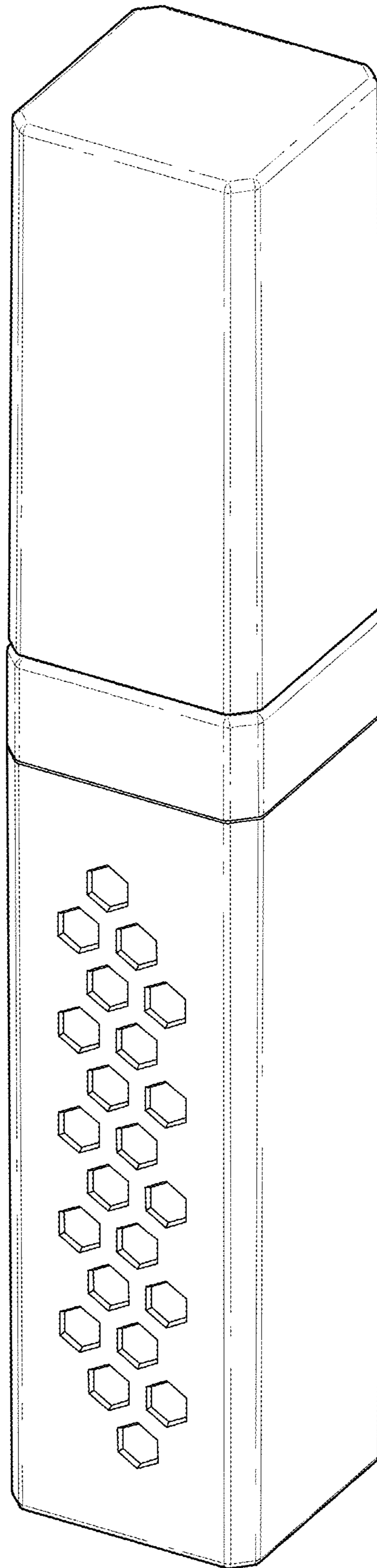


FIG. 1

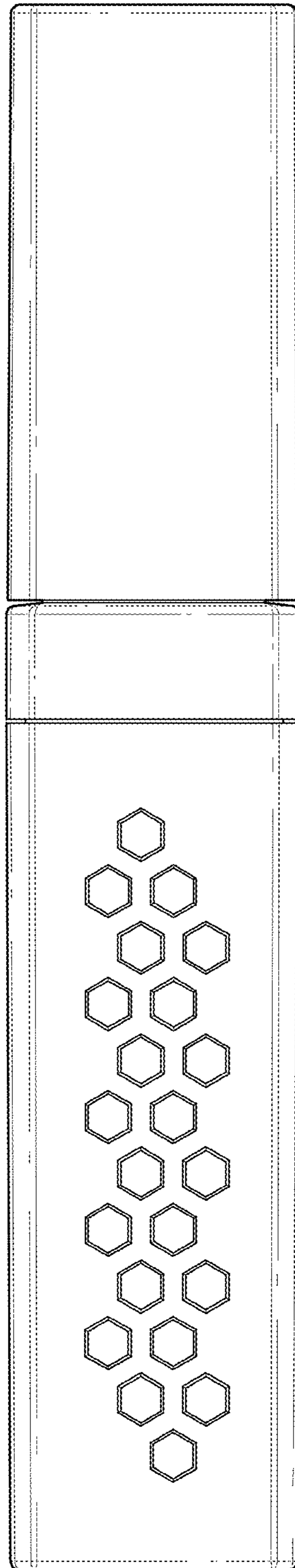


FIG. 2

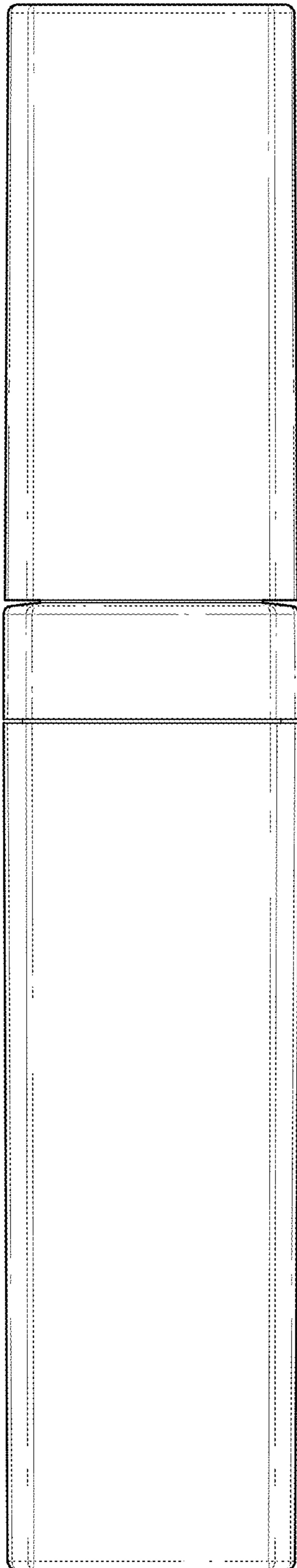


FIG. 3

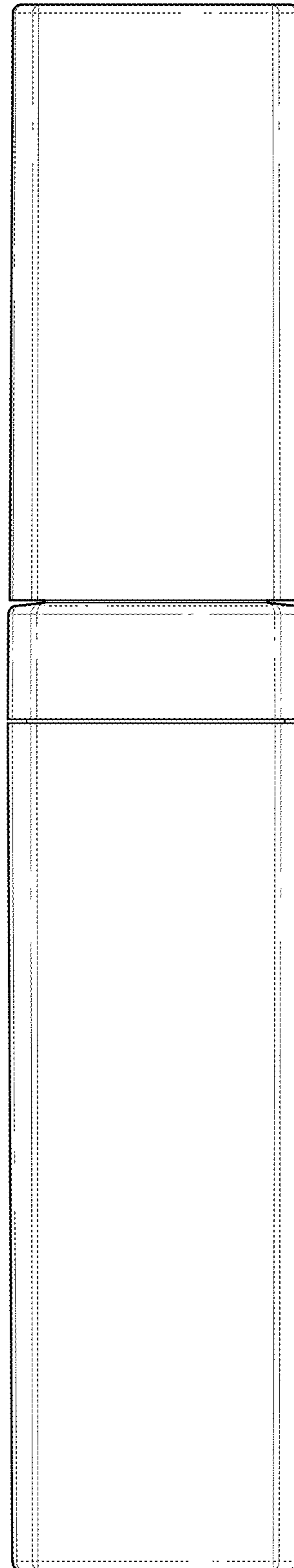


FIG. 4

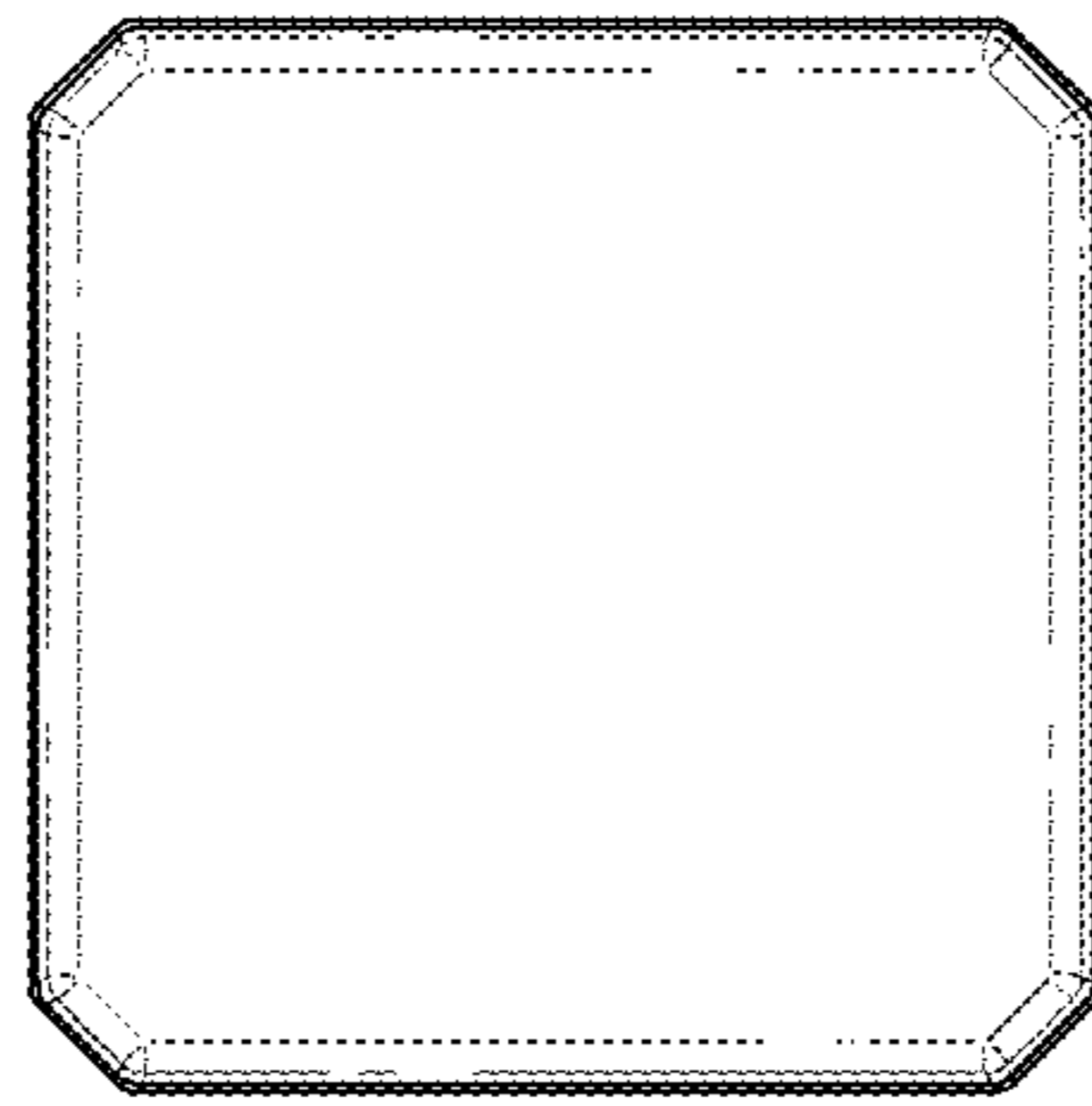


FIG. 5