



US00D883792S

(12) **United States Design Patent**
Sterling et al.

(10) **Patent No.:** **US D883,792 S**

(45) **Date of Patent:** **** May 12, 2020**

(54) **CONTAINER**

(71) Applicant: **Henkel IP & Holding GmbH**,
Duesseldorf (DE)

(72) Inventors: **Daniel Peter Sterling**, Fairfield, CT
(US); **Ryan Joseph Boudreaux**,
Yorktown Heights, NY (US)

(73) Assignee: **Henkel IP & Holding GmbH** (DE)

(**) Term: **15 Years**

(21) Appl. No.: **29/674,202**

(22) Filed: **Dec. 20, 2018**

(51) **LOC (12) Cl.** **09-01**

(52) **U.S. Cl.**
USPC **D9/528; D9/531; D9/563; D9/565;**
D9/571

(58) **Field of Classification Search**
USPC **D9/434, 516, 523, 527-528, 530-531,**
D9/543, 563, 565, 571, 575, 715, 719
CPC **B65D 1/00; B65D 1/02; B65D 1/0223;**
B65D 1/0261; B65D 1/0284; B65D 1/44;
B65D 23/00; B65D 23/10; B65D 23/102;
B65D 2501/00; B65D 2501/0009; B65D
2501/081

See application file for complete search history.

(56) **References Cited**

U.S. PATENT DOCUMENTS

D208,110 S *	7/1967	Linn, Jr.	D9/531
D304,423 S *	11/1989	Beaver	D9/528
D314,140 S *	1/1991	Kornick	D7/319
D314,141 S *	1/1991	Kornick	D9/443
D329,815 S *	9/1992	Beaver	D9/528
D329,816 S *	9/1992	Beaver	D9/528
D347,790 S *	6/1994	Lathrop	D9/523
D347,791 S *	6/1994	Lathrop	D9/453
D388,330 S *	12/1997	Zimmer	D9/543

D424,945 S *	5/2000	Guislain	D9/528
D424,946 S *	5/2000	Alsup	D9/528
D432,016 S *	10/2000	Beaver	D9/528
D439,520 S *	3/2001	Walther	D9/528
D440,159 S *	4/2001	Guislain	D9/543
D454,069 S *	3/2002	Guislain	D9/528
D461,717 S *	8/2002	Crawford	D9/528
D462,011 S *	8/2002	Walther	D9/528
D508,206 S *	8/2005	Meeker	D9/528
D518,376 S *	4/2006	Floyd	D9/434
D524,660 S *	7/2006	Floyd	D9/528
D529,809 S *	10/2006	Yourist	D9/528
D539,151 S *	3/2007	Brauner	D9/528
D539,152 S *	3/2007	Brauner	D9/528
D540,680 S *	4/2007	Perry	D9/435
D545,202 S *	6/2007	Bates	D9/528
D555,485 S *	11/2007	Bates	D9/531
D562,141 S *	2/2008	Bates	D9/528
D565,414 S *	4/2008	Bates	D9/528
D569,732 S *	5/2008	Georg-Muhlhausen	D9/531

(Continued)

Primary Examiner — Dana Meyrow

(74) *Attorney, Agent, or Firm* — Bojuan Deng

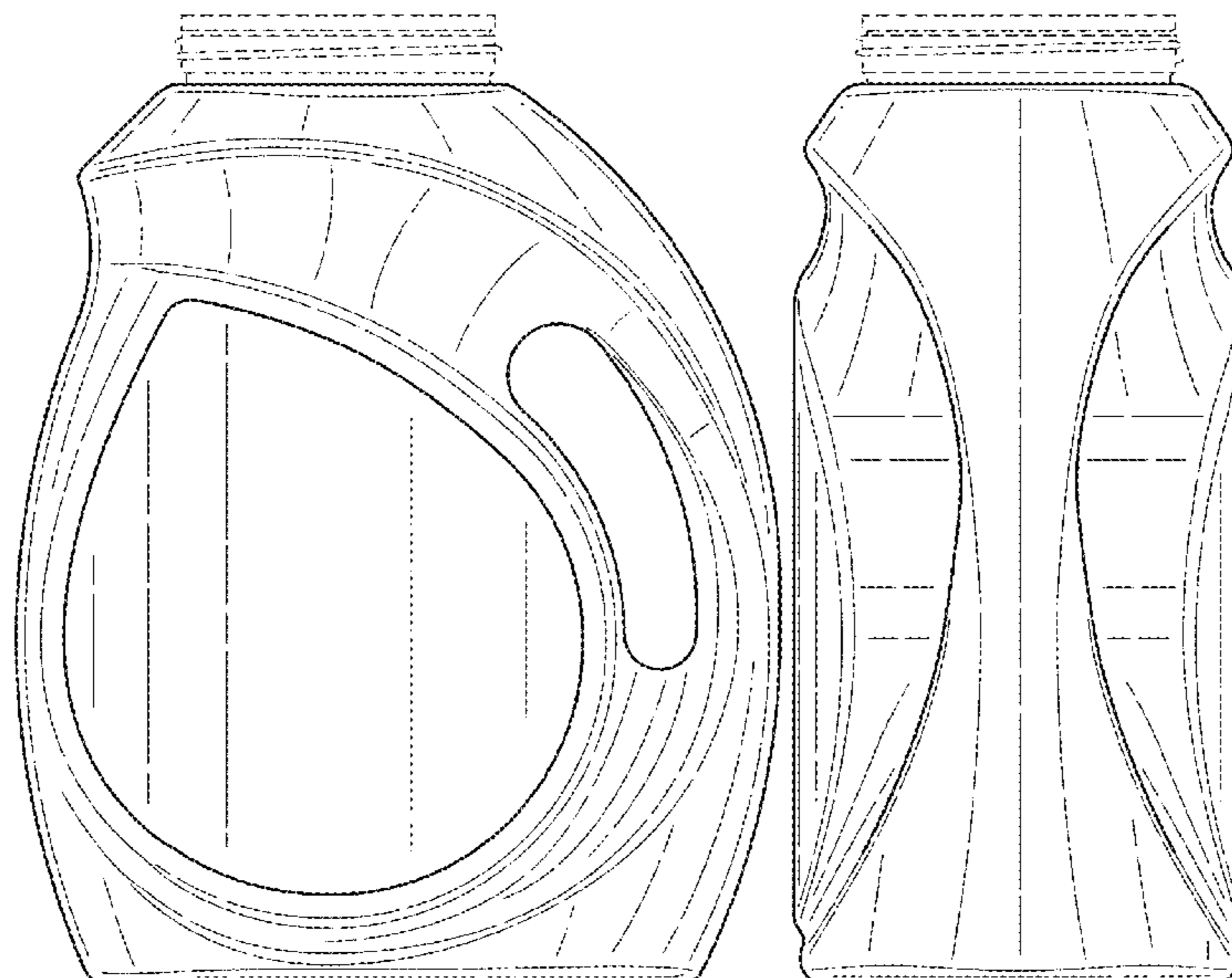
(57) **CLAIM**

The ornamental design for container, as shown and described.

DESCRIPTION

FIG. 1 is a top perspective view of a container according to our new design;
FIG. 2 is a front elevation view thereof;
FIG. 3 is a rear elevation view thereof;
FIG. 4 is a right side elevation view thereof;
FIG. 5 is a left side elevation view thereof;
FIG. 6 is a top plan view thereof; and,
FIG. 7 is a bottom plan view thereof.
The broken lines are included for the purpose of illustrating the portions of the container that form no part of the claimed design.

1 Claim, 7 Drawing Sheets



(56)

References Cited

U.S. PATENT DOCUMENTS

D571,217	S	*	6/2008	Bates	D9/528
D576,046	S	*	9/2008	Cardinal	D9/531
D580,268	S	*	11/2008	Roman	D9/516
D621,713	S	*	8/2010	Wilkum	D9/528
D623,065	S	*	9/2010	Varon	D9/528
D658,499	S	*	5/2012	Wycoff	D9/528
D660,165	S	*	5/2012	Fuller	D9/528
D661,593	S	*	6/2012	Heidel	D9/516
D666,499	S	*	9/2012	Fuller	D9/528
D683,224	S	*	5/2013	Leslie	D9/436
D684,061	S	*	6/2013	Leslie	D9/528
D685,642	S	*	7/2013	Leslie	D9/528
D694,113	S	*	11/2013	Ahlman	D9/528
D726,015	S	*	4/2015	Jasso Gomez	D9/531
D784,819	S	*	4/2017	Meier	D9/528
D794,462	S	*	8/2017	Gerhards	D9/527
D799,324	S	*	10/2017	Meier	D9/523
D799,326	S	*	10/2017	Meier	D9/528
D799,327	S	*	10/2017	Meier	D9/528
D818,366	S	*	5/2018	Gerhards	D9/528
D867,142	S	*	11/2019	Berger	D9/516
D867,146	S	*	11/2019	Gerhards	D9/528

* cited by examiner

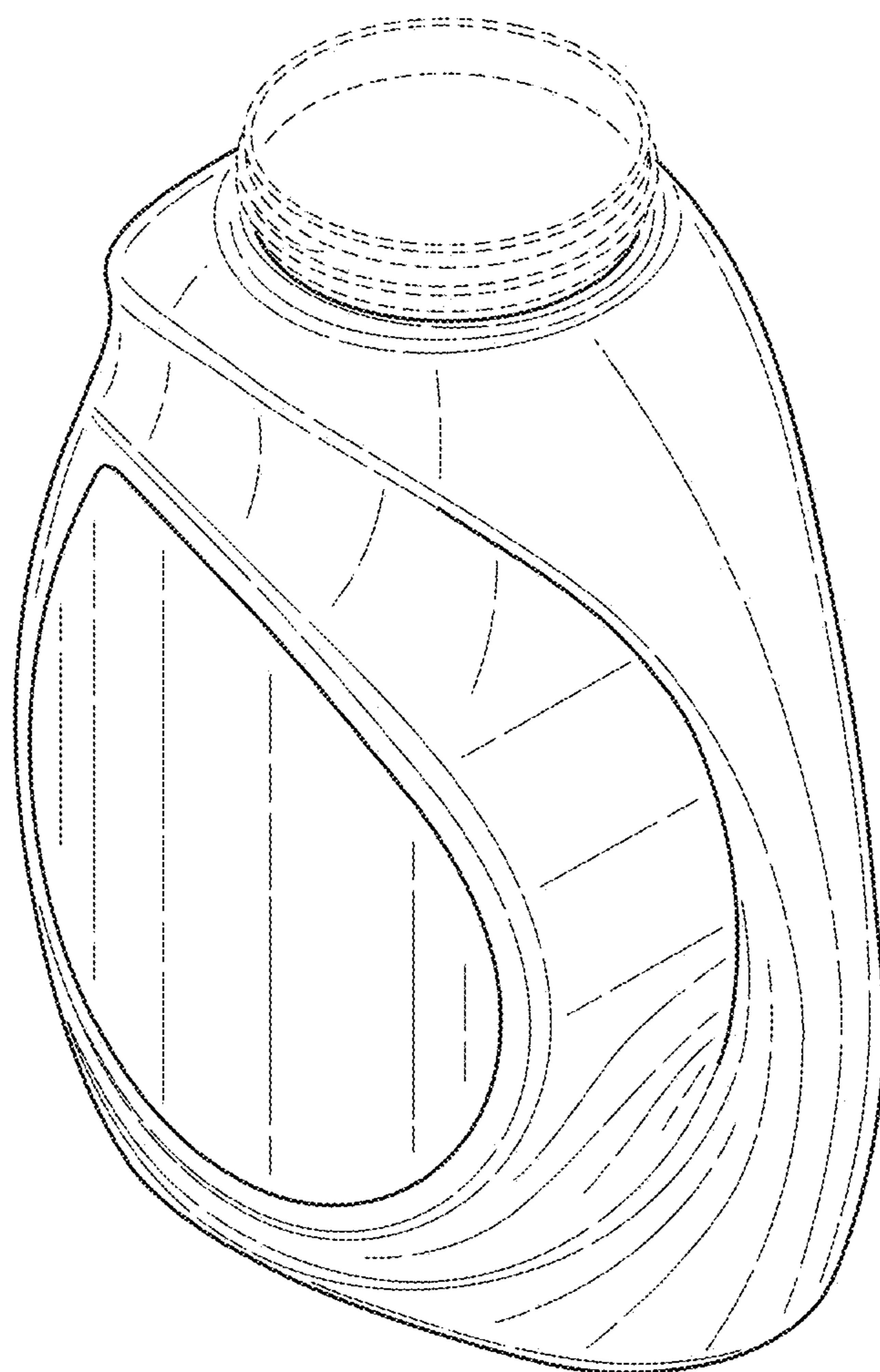


FIG.1

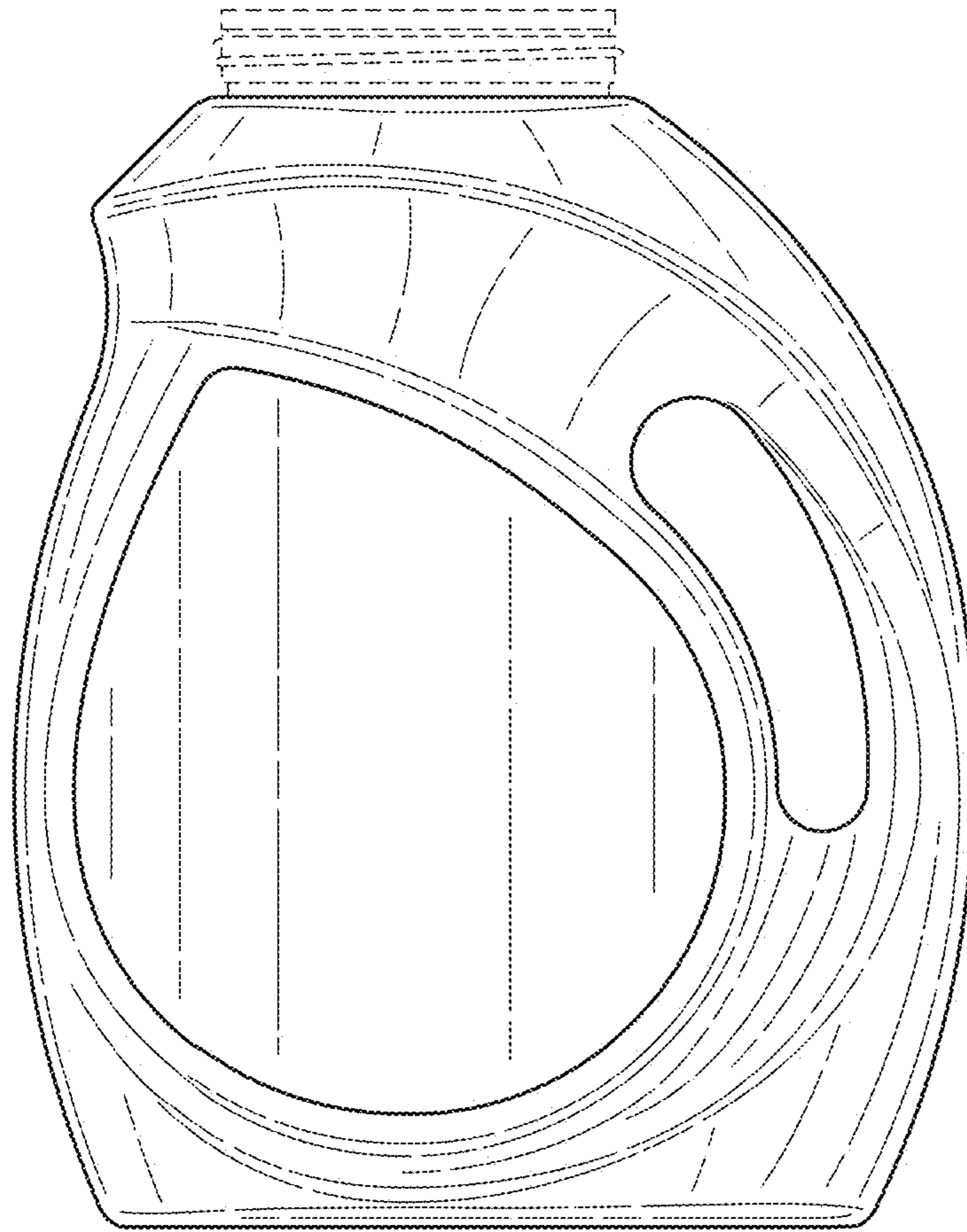


FIG. 2

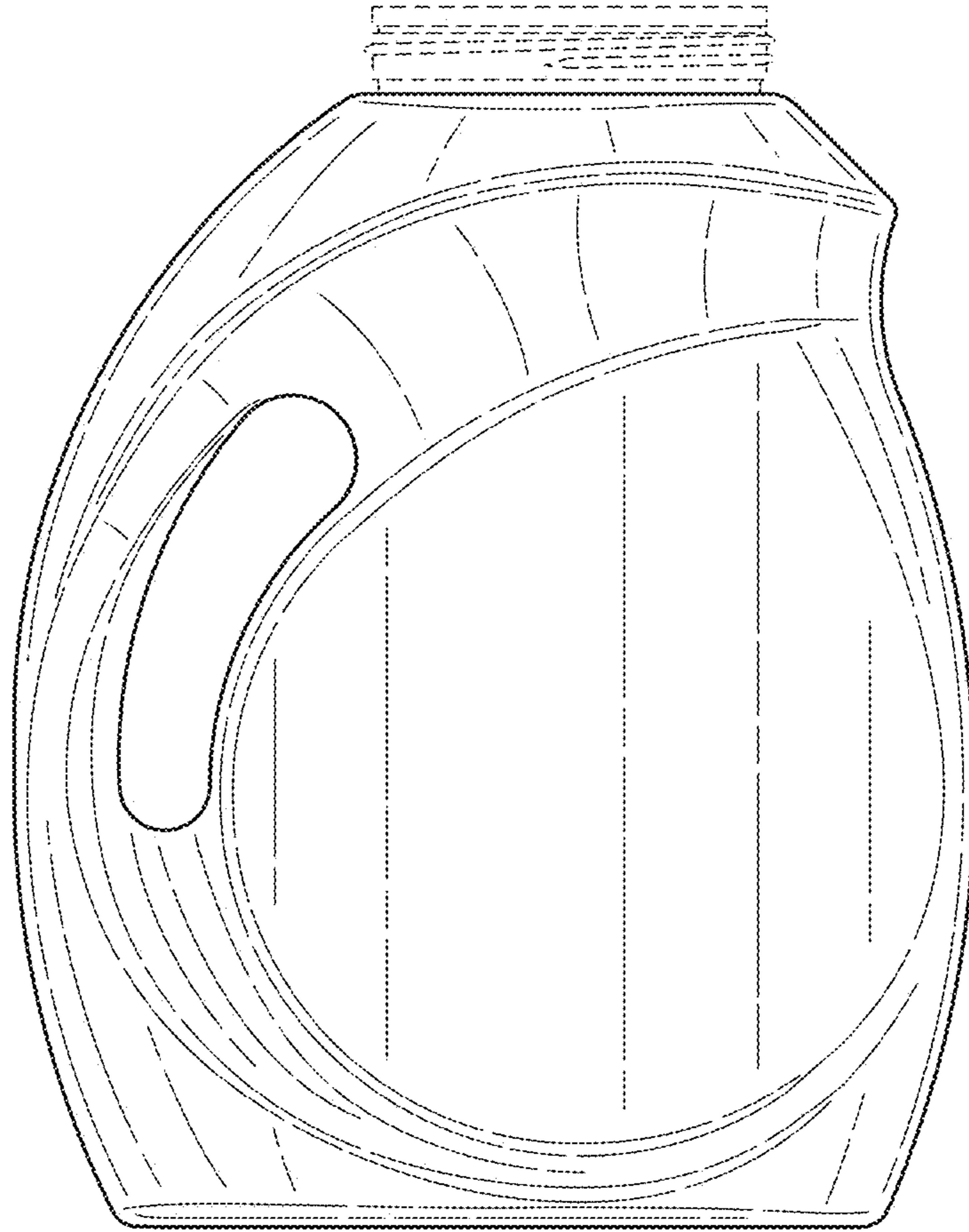


FIG. 3

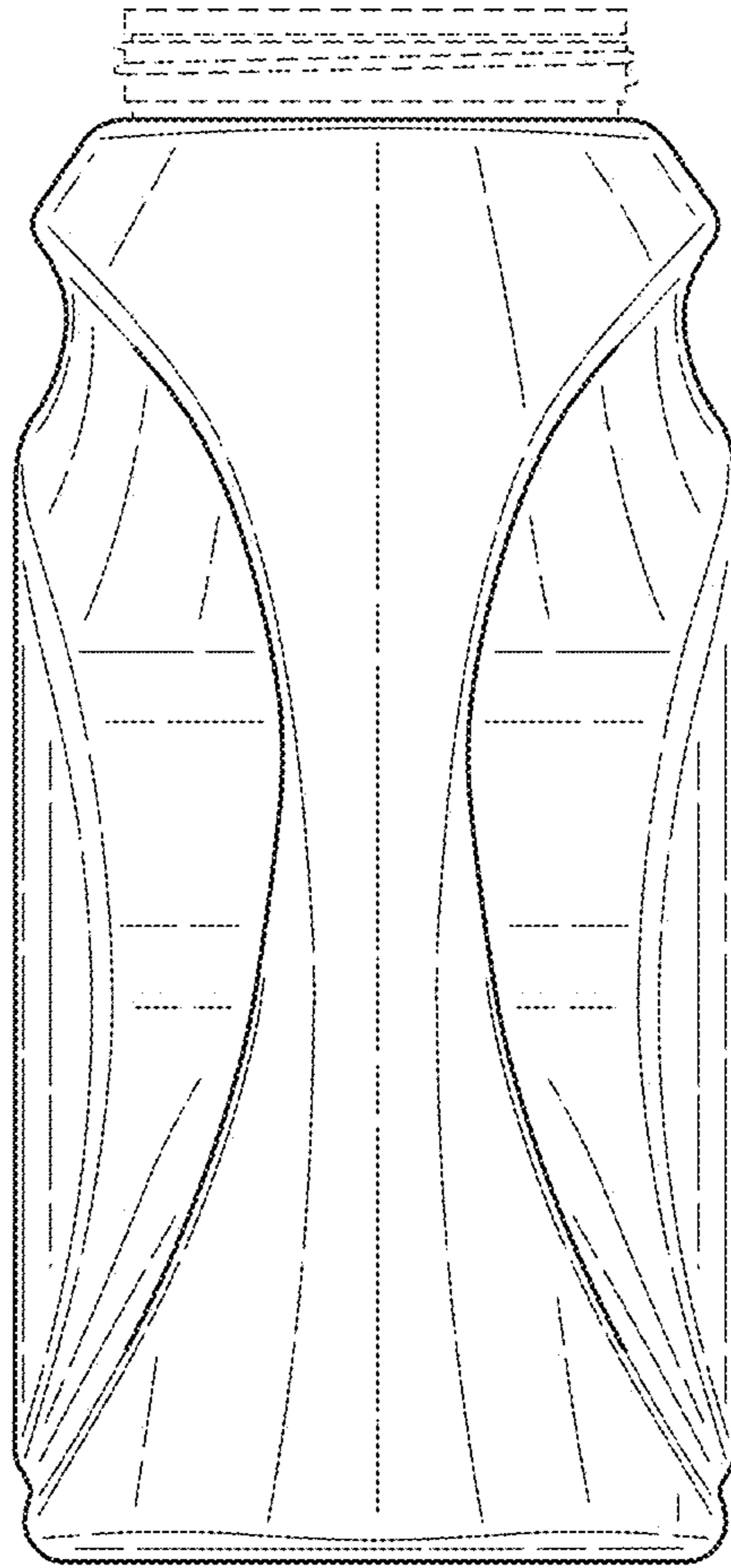


FIG.4

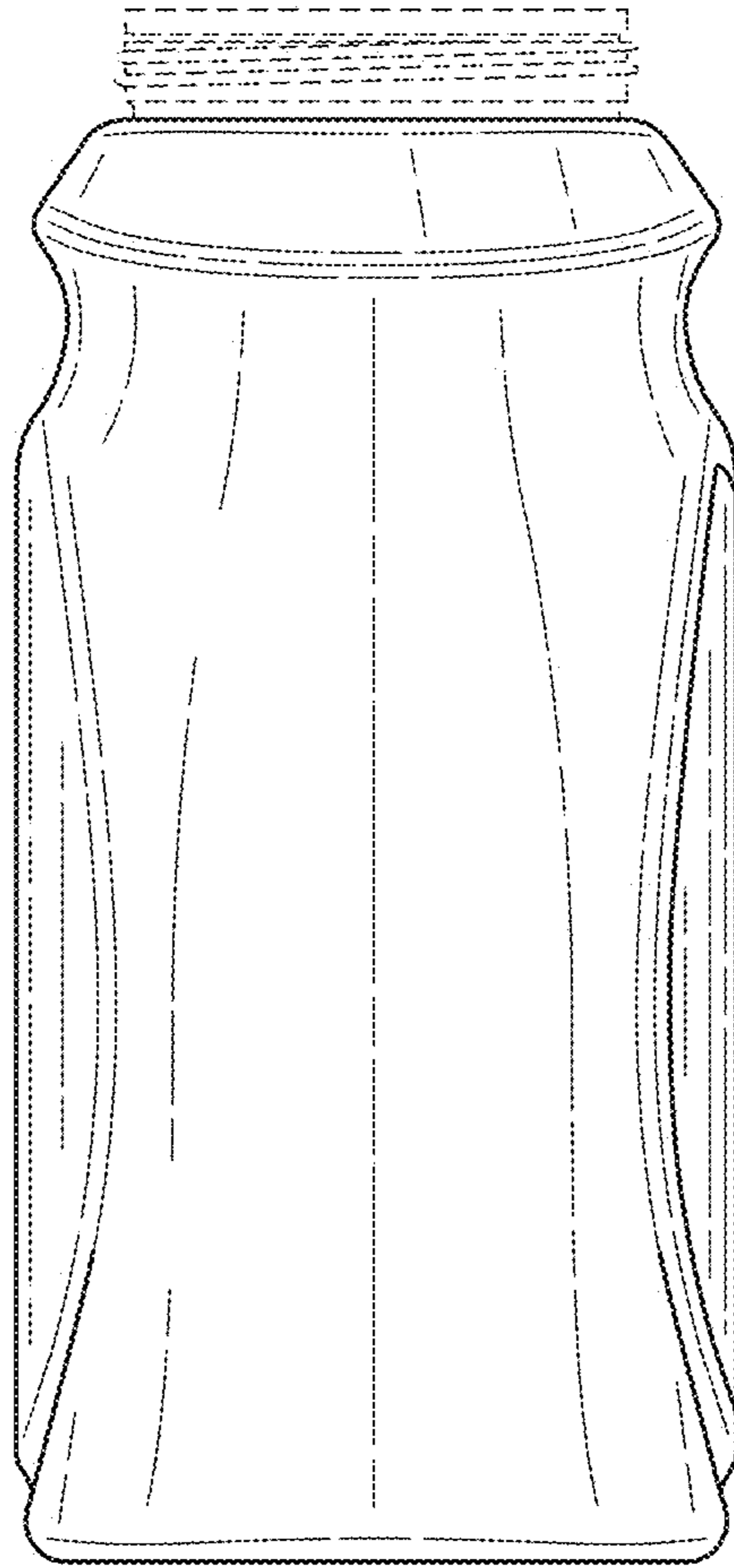


FIG.5

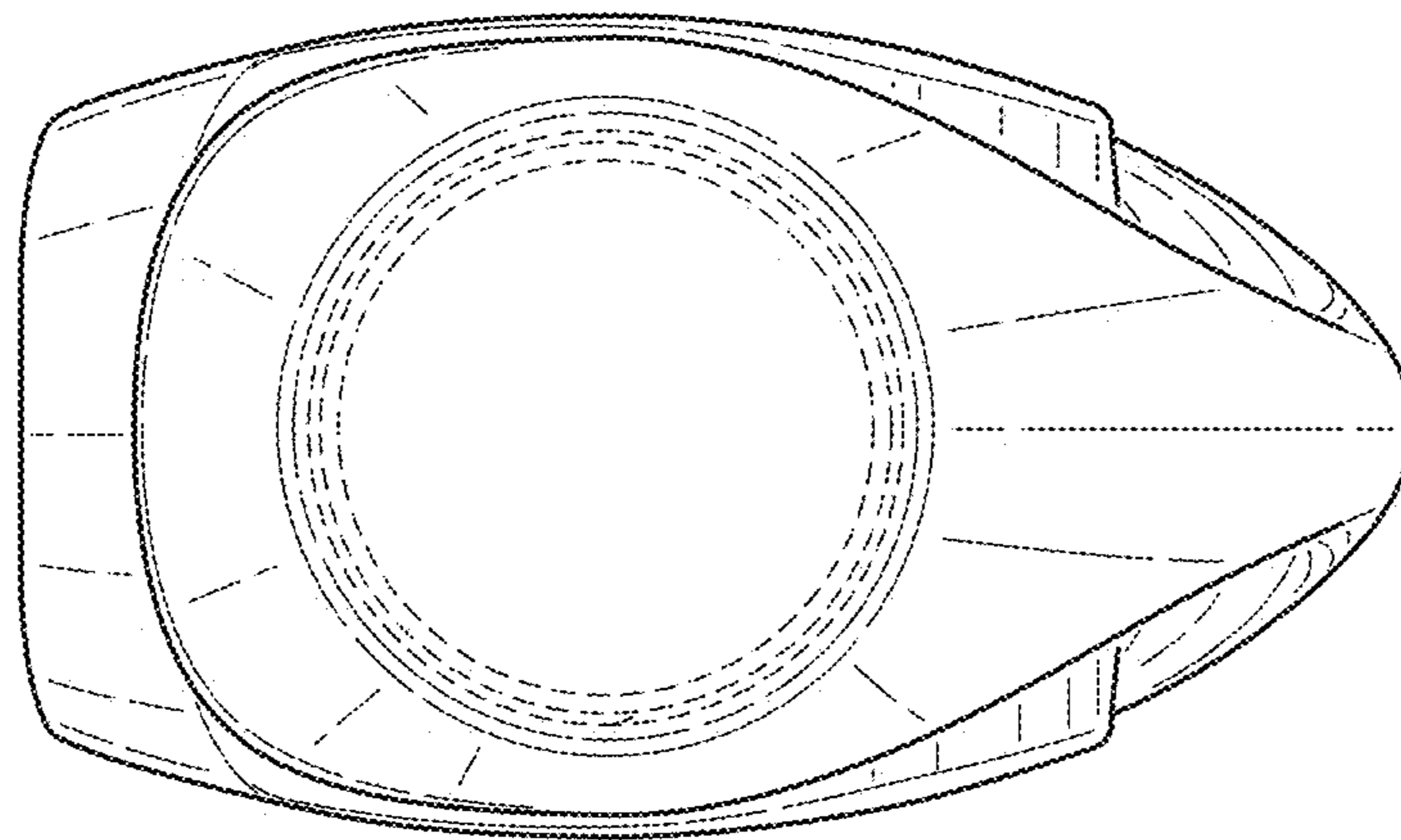


FIG. 6

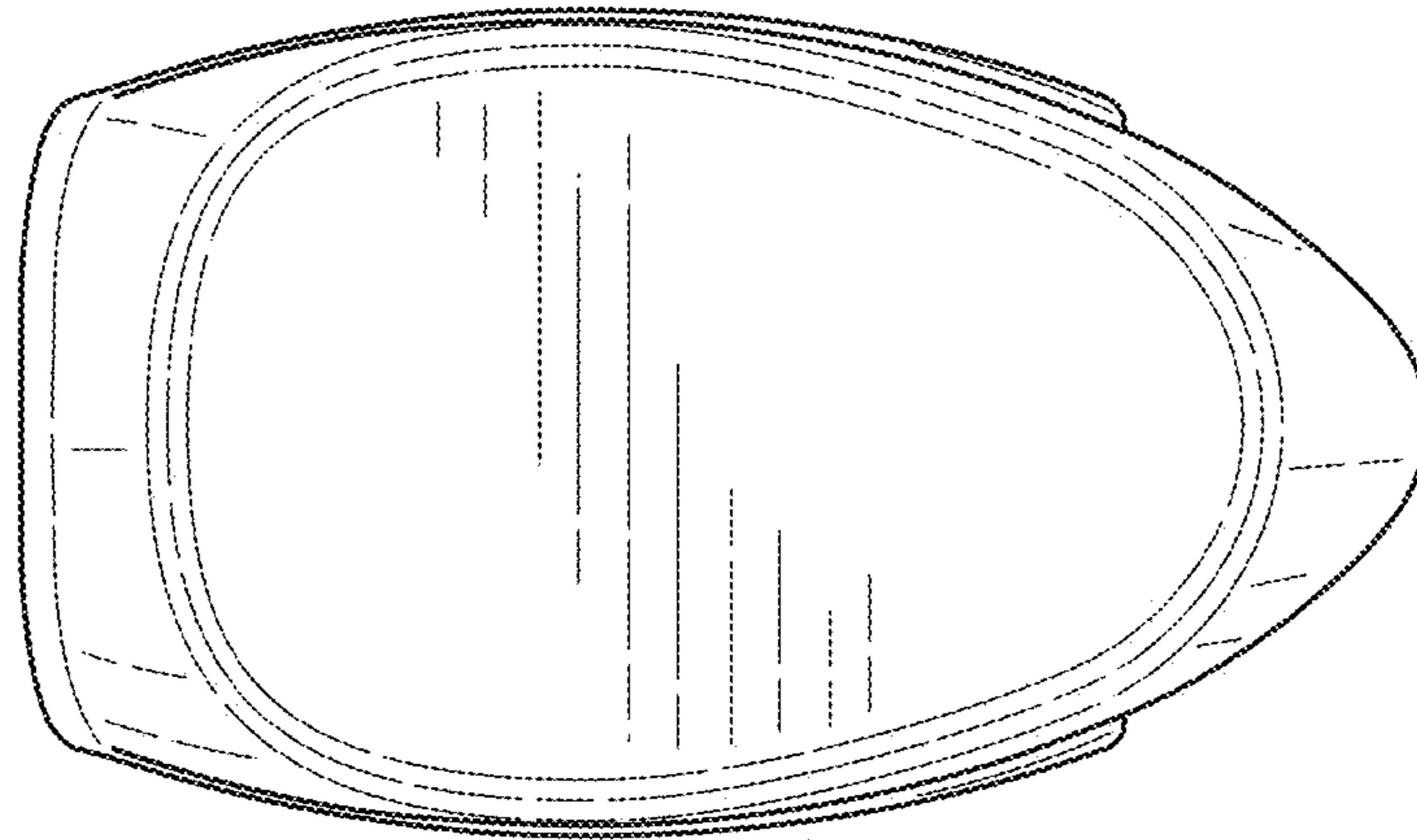


FIG.7