



US00D883789S

(12) **United States Design Patent** (10) **Patent No.:** **US D883,789 S**
Moreau (45) **Date of Patent:** **** May 12, 2020**

(54) **DOSING BOTTLE**

(71) Applicant: **Bayer CropScience AG**, Monheim (DE)
(72) Inventor: **Fabrice Moreau**, Tassin la Demi Lune (FR)

(73) Assignee: **BAYER CROPSCIENCE AG**, Monheim (DE)

(**) Term: **15 Years**

(21) Appl. No.: **29/653,731**

(22) Filed: **Jun. 18, 2018**

Related U.S. Application Data

(62) Division of application No. 29/558,762, filed on Mar. 21, 2016, now Pat. No. Des. 821,209, which is a (Continued)

(30) **Foreign Application Priority Data**

Apr. 26, 2012 (EM) 002033670-0001
Apr. 26, 2012 (EM) 002033670-0002
Apr. 26, 2012 (EM) 002033670-0003
Apr. 26, 2012 (EM) 002033670-0004

(51) **LOC (12) Cl.** **09-01**

(52) **U.S. Cl.**
USPC **D9/523**

(58) **Field of Classification Search**
USPC D7/300, 302, 305, 317, 318, 321, 387, D7/397, 398, 500, 505, 538, 543, 560, D7/566, 589; D9/414, 417, 430, 432, D9/434, 435, 440, 443, 447, 448, 449, D9/516, 523, 527, 528, 530, 563, 682, D9/683, 686, 687, 693, 694, 715, 719, D9/730, 738, 742, 753; D28/91.1
(Continued)

(56) **References Cited**

U.S. PATENT DOCUMENTS

D168,739 S * 2/1953 Frydlender D28/91.1
D308,825 S * 6/1990 Hoyt D9/523
(Continued)

FOREIGN PATENT DOCUMENTS

EP 002033670-001 4/2012
EP 002033670-002 4/2012
(Continued)

OTHER PUBLICATIONS

Bayer Jardin—Easy Dose YouTube <https://www.youtube.com/watch?v=F7ksPFE6cOc> Feb. 26, 2013 (Year: 2013).*
(Continued)

Primary Examiner — Leanne Was-Englehart
(74) *Attorney, Agent, or Firm* — Jenkins, Wilson, Taylor & Hunt, P.A.

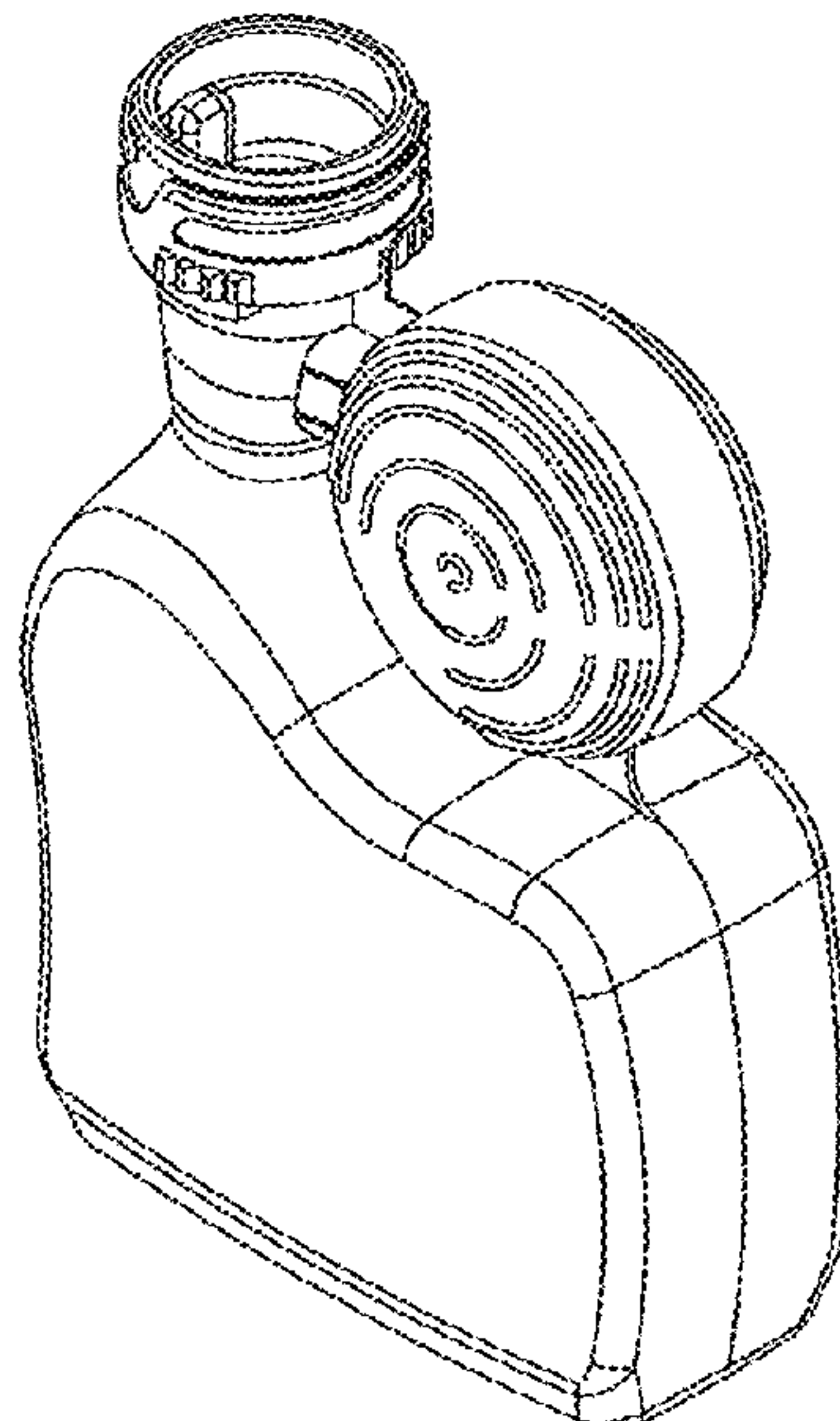
(57) **CLAIM**

The ornamental design for a dosing bottle, as shown and described.

DESCRIPTION

FIG. 1 is a perspective view of a dosing bottle. FIG. 2 is a left side view of the dosing bottle of FIG. 1; FIG. 3 is a right side view of the dosing bottle of FIG. 1; FIG. 4 is a front view of the dosing bottle of FIG. 1; FIG. 5 is a rear view of the dosing bottle of FIG. 1; FIG. 6 is a top view of the dosing bottle of FIG. 1; and, FIG. 7 is a bottom view of the dosing bottle of FIG. 1. The broken lines depict portions of the dosing bottle that form no part of the claimed design.

1 Claim, 6 Drawing Sheets



Related U.S. Application Data

division of application No. 29/435,382, filed on Oct. 23, 2012, now Pat. No. Des. 751,912.

(58) **Field of Classification Search**

CPC G01F 11/26; G01F 11/262; G01F 11/263; B67D 7/56

See application file for complete search history.

(56) **References Cited**

U.S. PATENT DOCUMENTS

5,115,946 A * 5/1992 Libit B05B 11/04
222/145.7
6,022,134 A * 2/2000 Andrews B01F 13/002
206/221
6,290,102 B1 * 9/2001 Jennings G01F 11/262
222/158
D512,648 S * 12/2005 Smith D9/702
D579,343 S * 10/2008 Calvo D9/694
D614,037 S * 4/2010 Backs D9/528
D622,148 S * 8/2010 Weber D9/523
D646,974 S * 10/2011 Latour D9/452
D677,571 S * 3/2013 Jennings D9/516
9,261,394 B2 2/2016 Moreau
D751,912 S * 3/2016 Moreau D9/523
9,410,836 B2 8/2016 Moreau
D820,092 S * 6/2018 Tatievski D9/528

D821,209 S * 6/2018 Moreau D9/523
D842,703 S * 3/2019 Lam D9/528
D848,022 S * 5/2019 Park D24/224
2015/0060498 A1 * 3/2015 Moreau G01F 11/263
222/454
2015/0083753 A1 * 3/2015 Moreau G06F 16/9566
222/158

FOREIGN PATENT DOCUMENTS

EP 002033670-003 4/2012
EP 002033670-004 4/2012

OTHER PUBLICATIONS

Restriction Requirement for U.S. Appl. No. 29/435,382 dated Mar. 23, 2015.
Non-Final Office Action for U.S. Appl. No. 29/435,382 dated Jul. 7, 2015.
Notice of Allowance for U.S. Appl. No. 29/435,382 dated Nov. 5, 2015.
Restriction Requirement for U.S. Appl. No. 29/558,762 dated Jun. 28, 2017.
Non-Final Office Action for U.S. Appl. No. 29/558,762 dated Sep. 15, 2017.
Notice of Allowance for U.S. Appl. No. 29/558,762 dated Feb. 20, 2018.

* cited by examiner

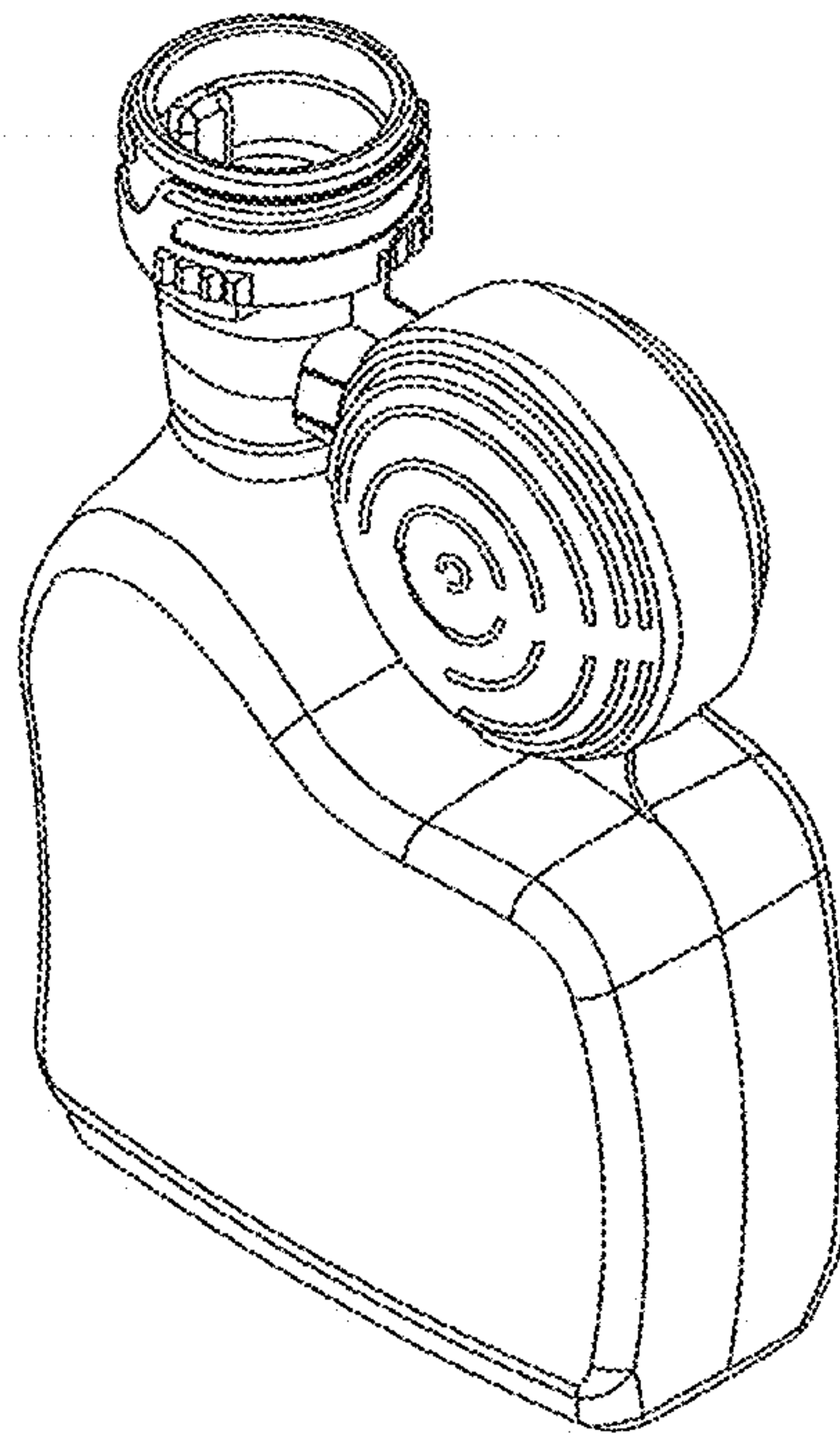


FIG. 1

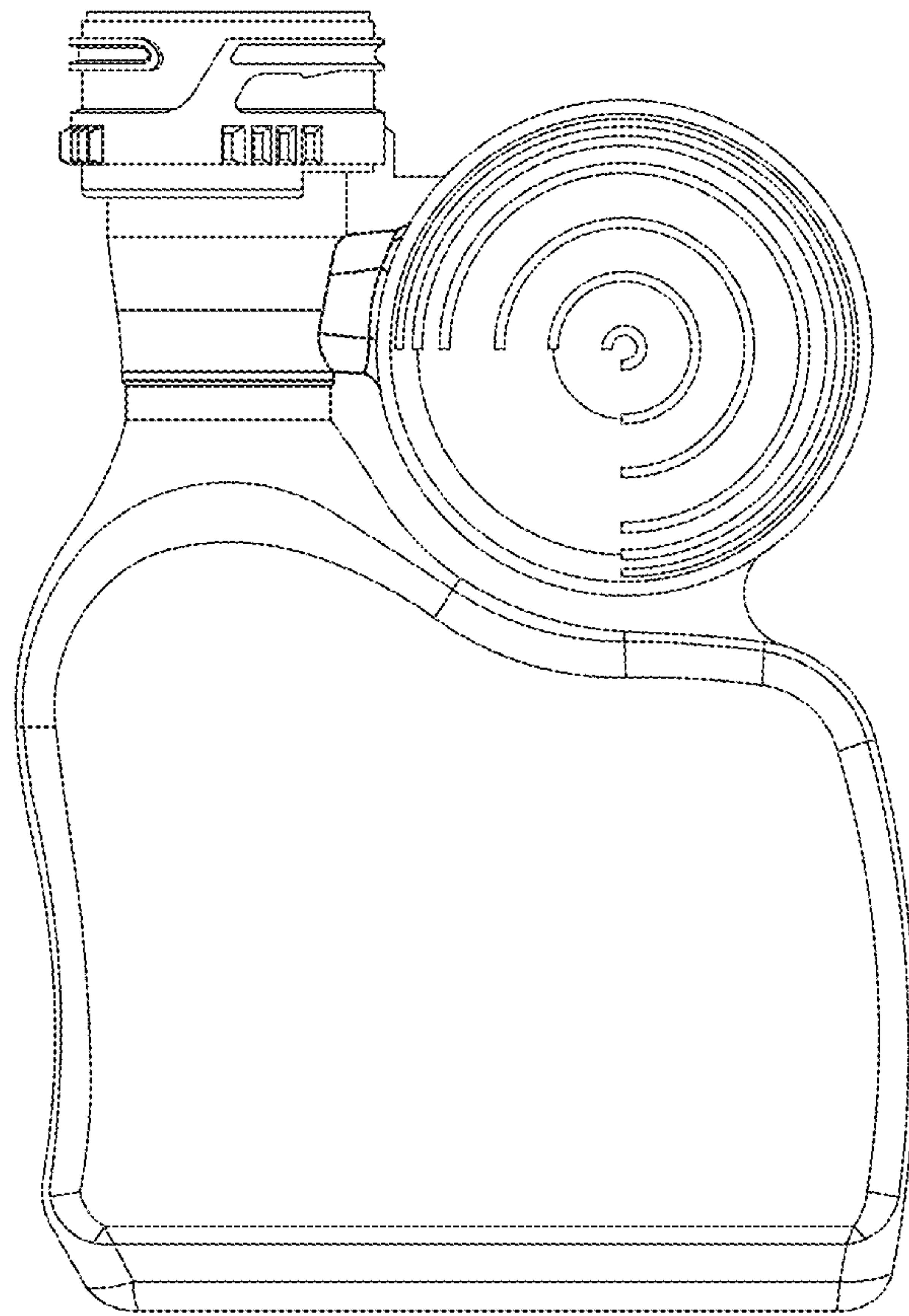


FIG. 2

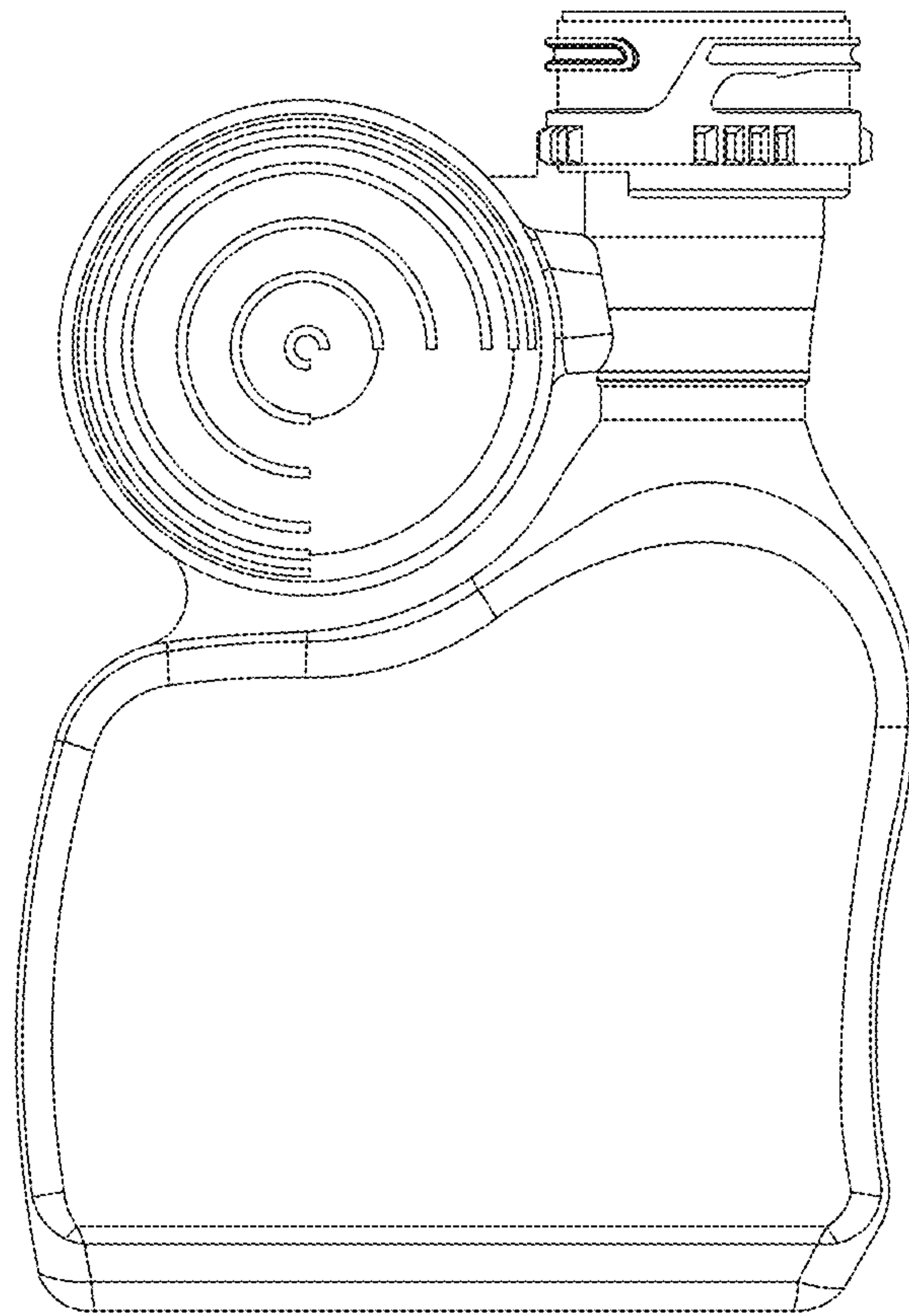


FIG. 3

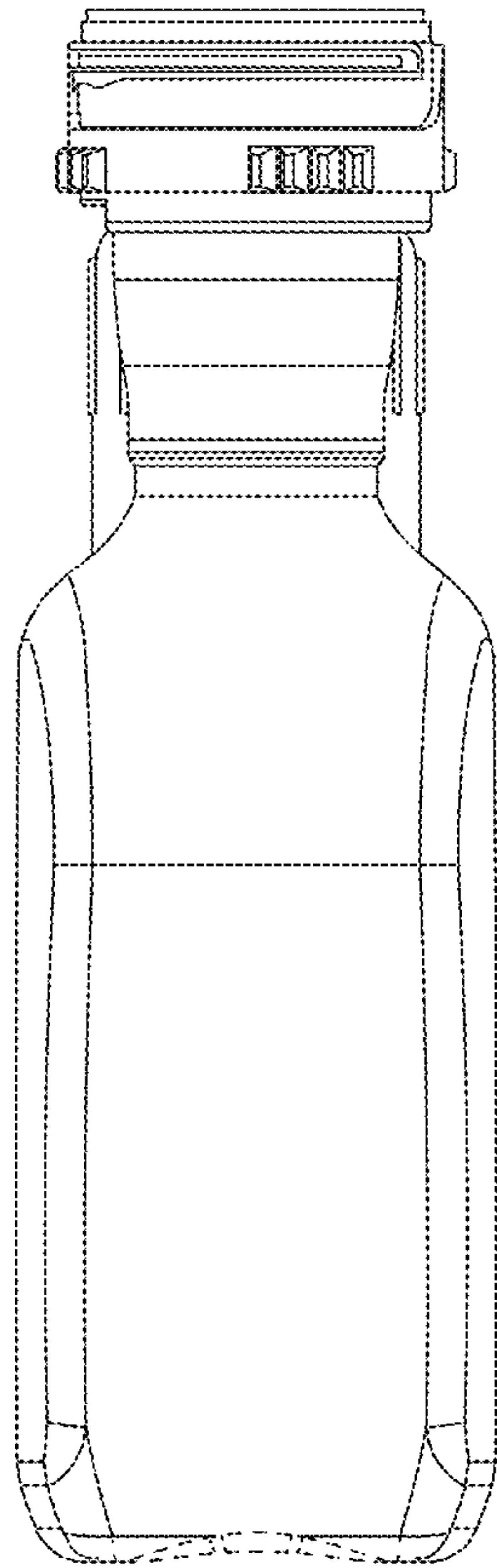


FIG. 4

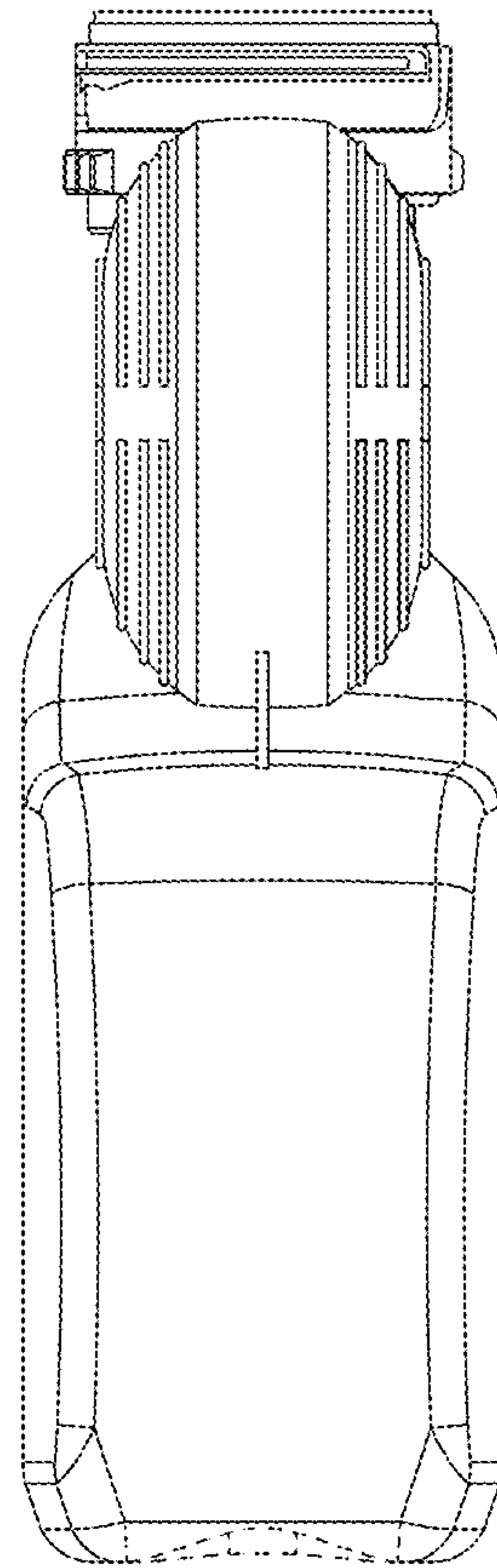


FIG. 5

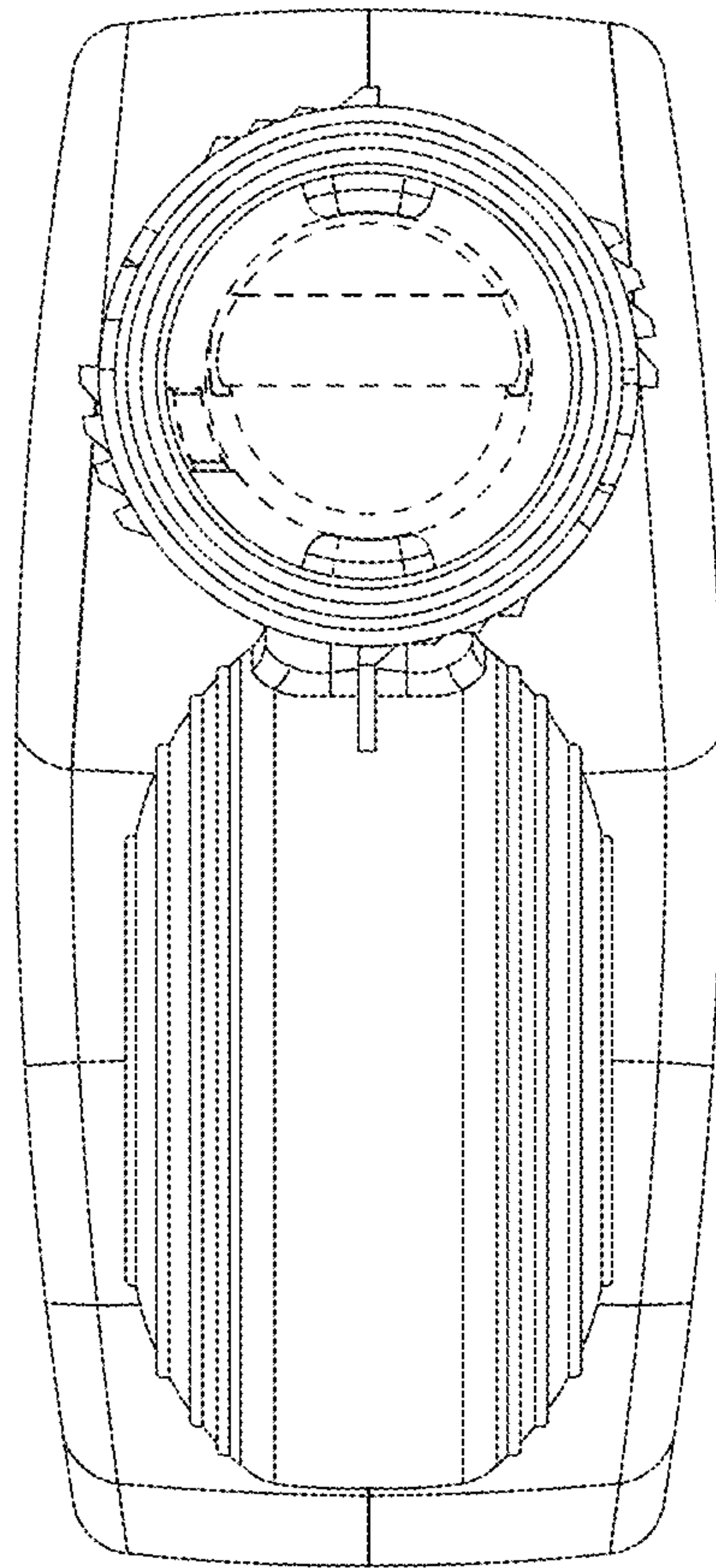


FIG. 6

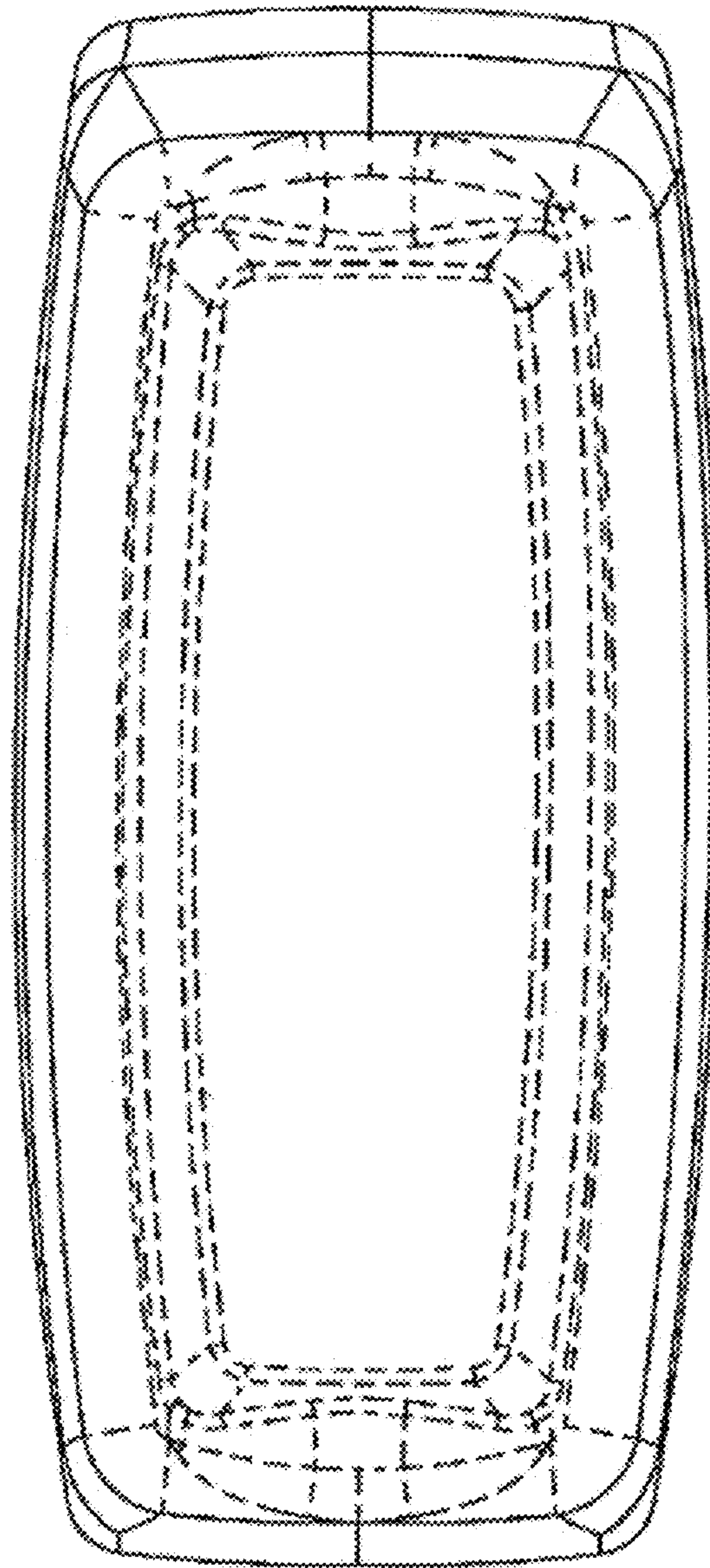


FIG. 7