



US00D883788S

(12) **United States Design Patent**
Kuhn et al.

(10) **Patent No.:** **US D883,788 S**

(45) **Date of Patent:** **** May 12, 2020**

(54) **BOTTLE**

(71) Applicant: **N.V. Nutricia**, Zoetermeer (NL)

(72) Inventors: **Peter Kuhn**, The Hague (NL); **Stefanie José Groot**, Amsterdam (NL)

(73) Assignee: **N. V. Nutricia** (NL)

(**) Term: **15 Years**

(21) Appl. No.: **29/615,018**

(22) Filed: **Aug. 25, 2017**

(30) **Foreign Application Priority Data**

Mar. 2, 2017 (EM) 003780394-001

Mar. 2, 2017 (EM) 003780394-002

(Continued)

(51) **LOC (12) Cl.** **09-01**

(52) **U.S. Cl.**
USPC **D9/521**

(58) **Field of Classification Search**
USPC D9/521, 551, 741, 542, 710, 449, 520,
D9/719, 708, 571; D7/510, 590;
D24/224, 197

(Continued)

(56) **References Cited**

U.S. PATENT DOCUMENTS

3,107,035 A * 10/1963 Bertram Cholet B65D 47/18
222/213

3,481,501 A * 12/1969 Anderson B29C 49/482
215/397

(Continued)

Primary Examiner — Rhea Shields

(74) *Attorney, Agent, or Firm* — Laubsher & Laubscher, P.C.

(57) **CLAIM**

The ornamental design for a bottle, as shown and described.

DESCRIPTION

The patent or application file contains at least one drawing executed in color. Copies of this patent or patent application publication with color drawing(s) will be provided by the Office upon request and payment of the necessary fee.

FIG. 1 is a top perspective view of a first embodiment of our design for a bottle;

FIG. 2 is a bottom perspective view of the embodiment of FIG. 1;

FIG. 3 is a right side plan view of the embodiment of FIG. 1, the left side being a mirror image thereof;

FIG. 4 is a front plan view of the embodiment of FIG. 1, the rear being a mirror image thereof;

FIG. 5 is a bottom plan view of the embodiment of FIG. 1;

FIG. 6 is a top plan view of the embodiment of FIG. 1;

FIG. 7 is a front view of the embodiment of FIG. 1 in use;

FIG. 8 is a top perspective view of a second embodiment thereof;

FIG. 9 is a bottom, perspective view of the embodiment of FIG. 8;

FIG. 10 is a right side plan view of the embodiment of FIG. 8, the left side being a mirror image thereof;

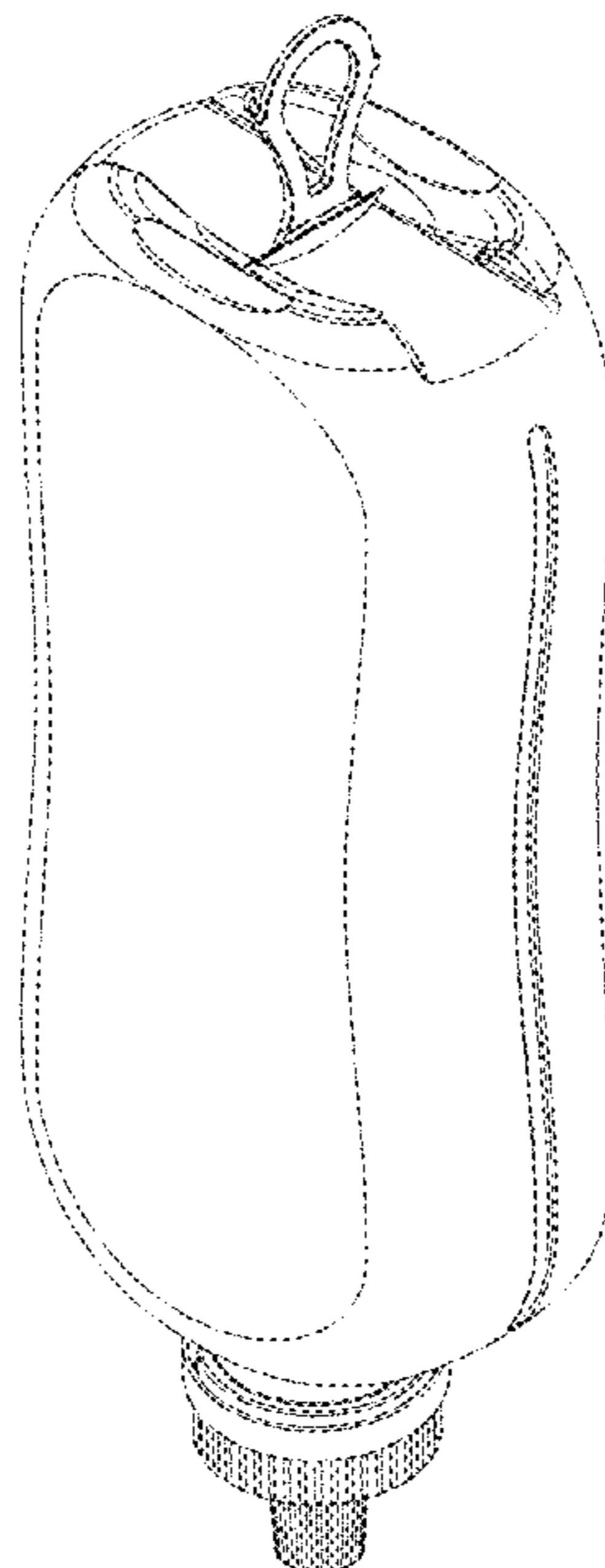
FIG. 11 is a front plan view of the embodiment of FIG. 8, the rear being a mirror image thereof;

FIG. 12 is a bottom plan view of the embodiment of FIG. 8; and,

FIG. 13 is a top plan view of the embodiment of FIG. 8.

In the drawings, the broken lines are for the purpose of illustrating environment only and form no part of the claimed design.

1 Claim, 13 Drawing Sheets
(5 of 13 Drawing Sheet(s) Filed in Color)



(30) **Foreign Application Priority Data**

Mar. 2, 2017 (EM) 003780394-003
 Mar. 2, 2017 (EM) 003780394-004

(58) **Field of Classification Search**

CPC B29C 49/482; B65D 47/18; A61J 1/05
 See application file for complete search history.

(56) **References Cited**

U.S. PATENT DOCUMENTS

D326,228 S * 5/1992 Stratford D24/224
 D333,266 S * 2/1993 Walravens D9/520
 D439,165 S * 3/2001 Erckelbout D9/520
 D498,146 S * 11/2004 Densky D9/571
 D530,618 S * 10/2006 Estabrook D9/551
 D533,076 S * 12/2006 Awbrey D9/719
 D537,355 S * 2/2007 Brauner D9/542
 D589,805 S * 4/2009 Kunesh D9/521
 D616,756 S * 6/2010 Schlies D9/542
 D672,249 S * 12/2012 Nukuto D9/520
 D723,377 S * 3/2015 Janney D9/542
 D730,533 S * 5/2015 Wilson D24/197
 D739,750 S * 9/2015 Luijendijk D9/449
 D742,237 S * 11/2015 Snyder D7/510
 D743,809 S * 11/2015 Roth D9/710
 D752,925 S * 4/2016 Lewis D7/590
 D792,776 S * 7/2017 Le D9/521
 D798,723 S * 10/2017 Nguyen D9/542
 D805,401 S * 12/2017 Boctor D9/741
 D814,315 S * 4/2018 Bell D9/708
 D818,828 S * 5/2018 Cannamela D9/521
 D828,172 S * 9/2018 Bos D9/542
 D847,652 S * 5/2019 Forrest D9/551
 2018/0251254 A1 * 9/2018 Groot A61J 1/05

* cited by examiner

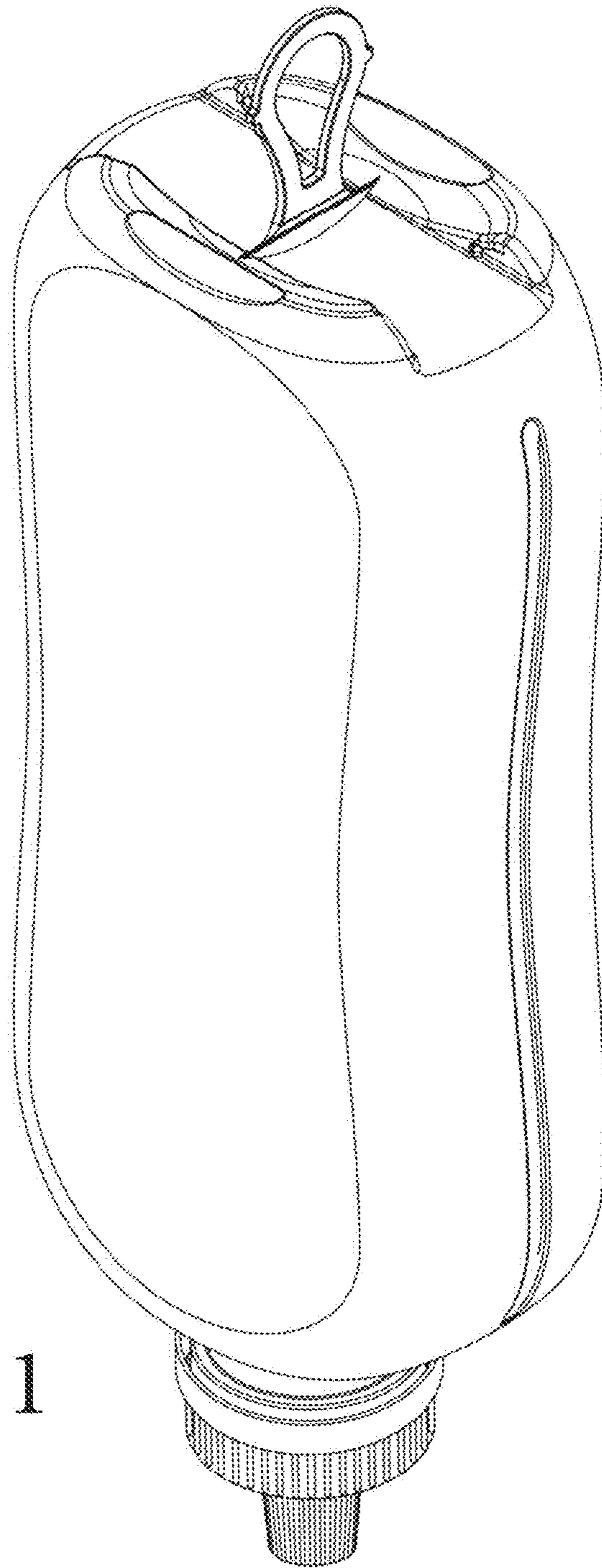


Fig. 1

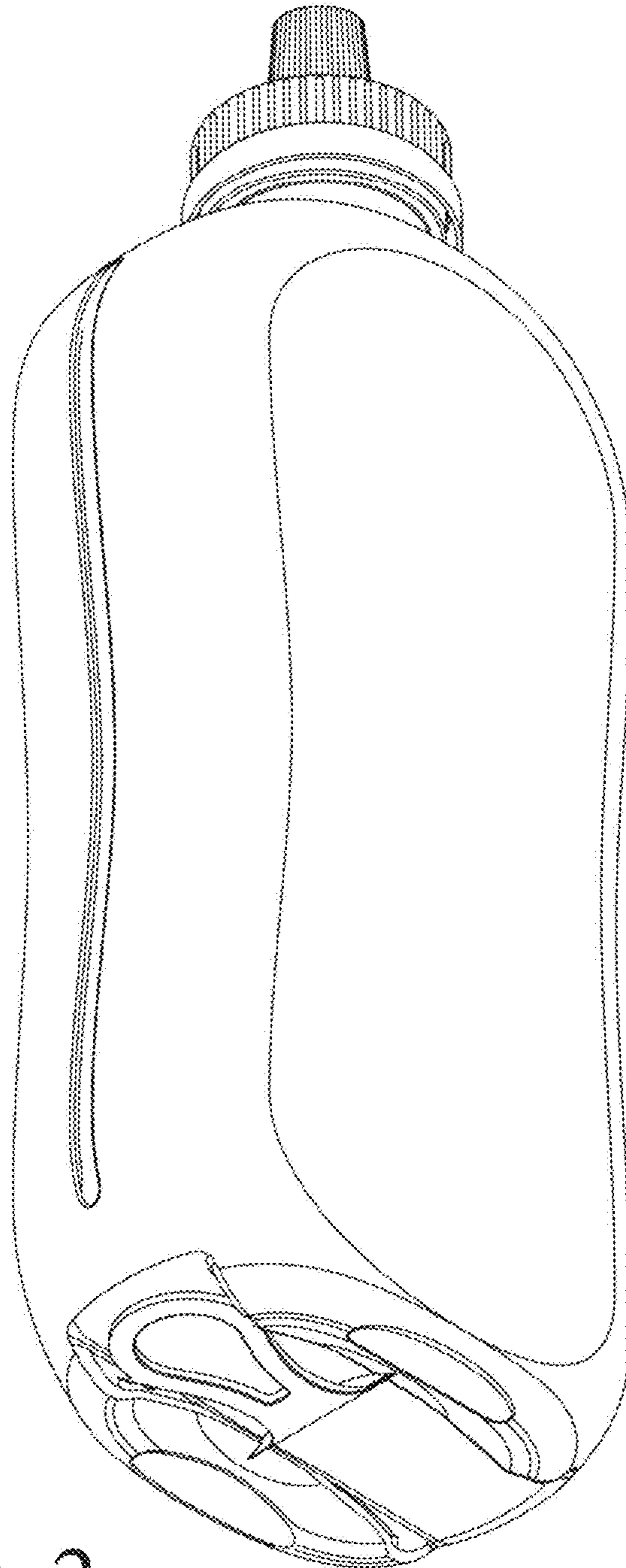


Fig. 2

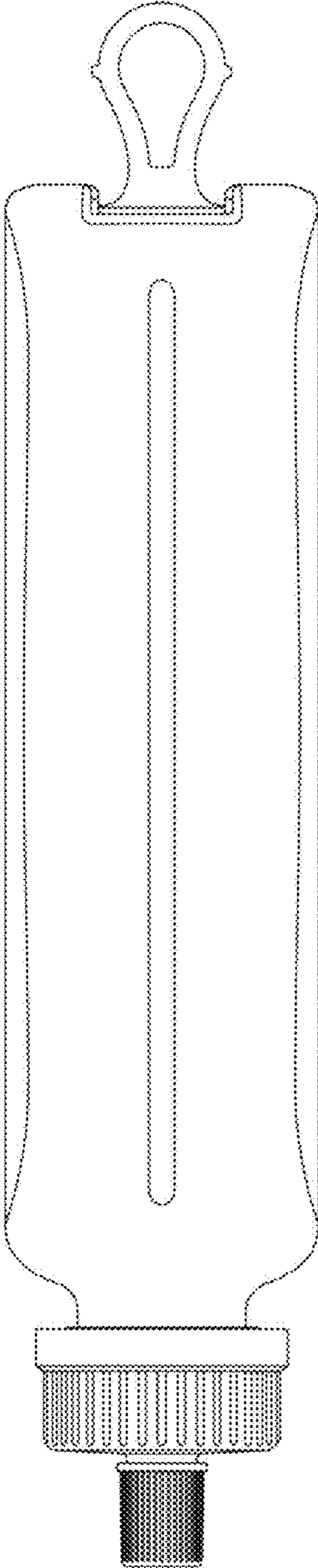


Fig. 3

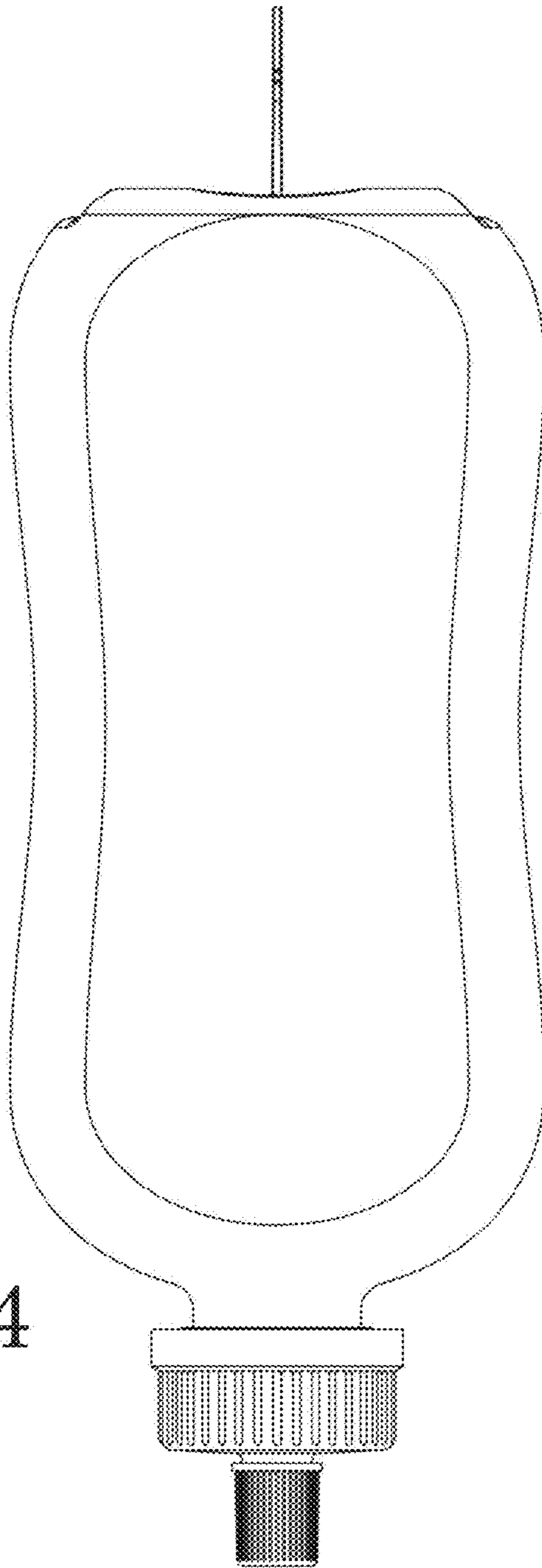


Fig. 4

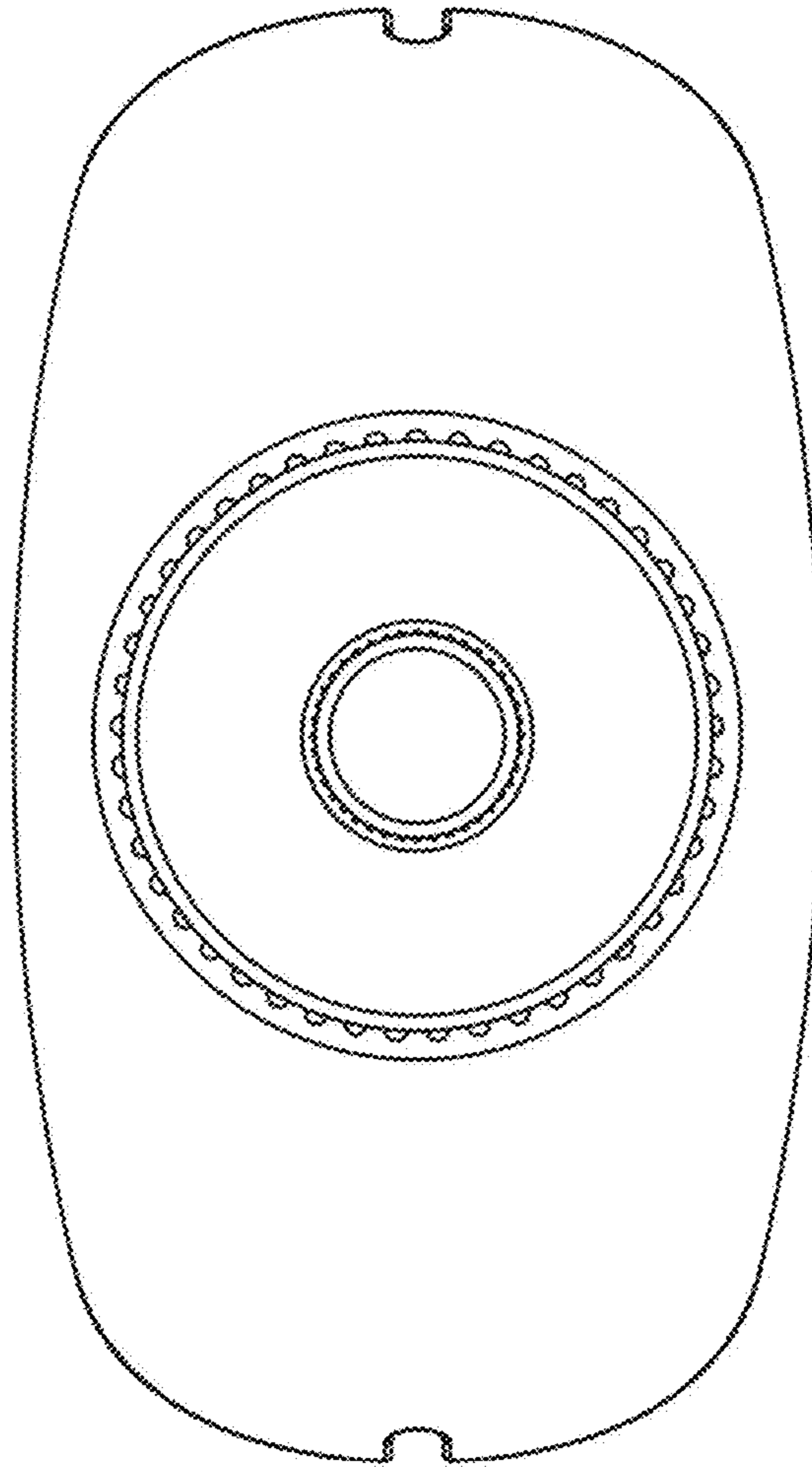


Fig. 5

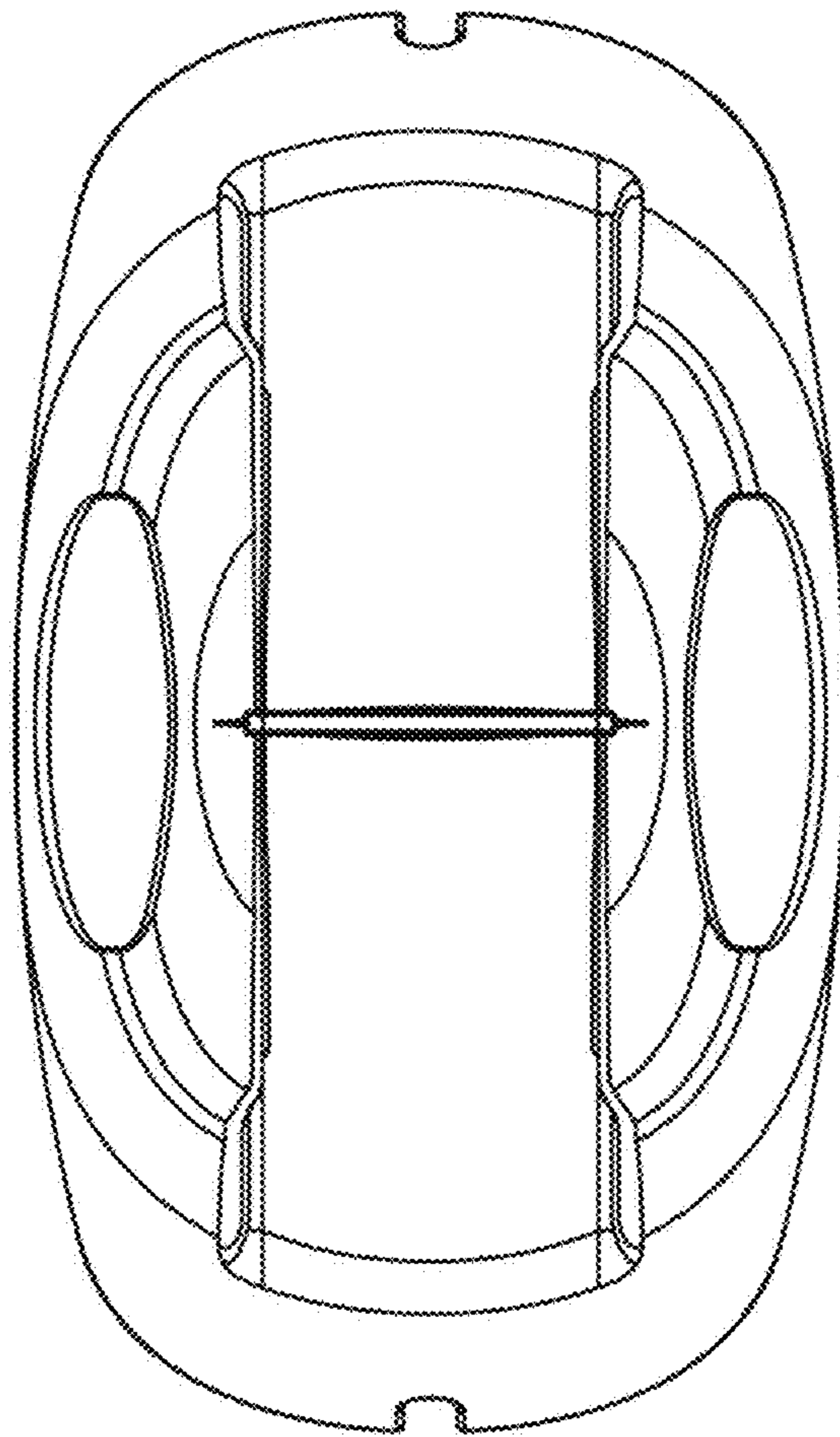


Fig. 6

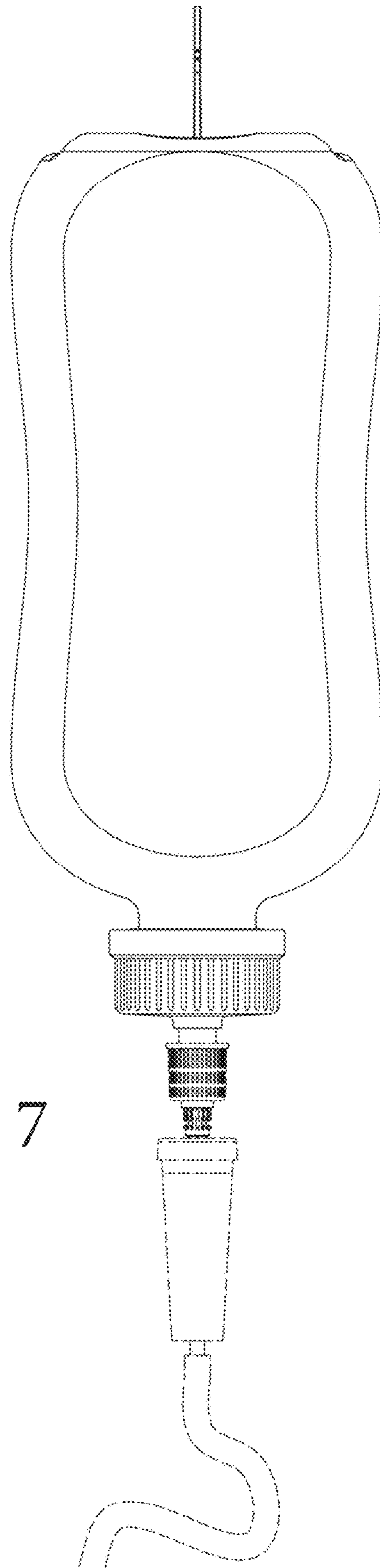


Fig. 7

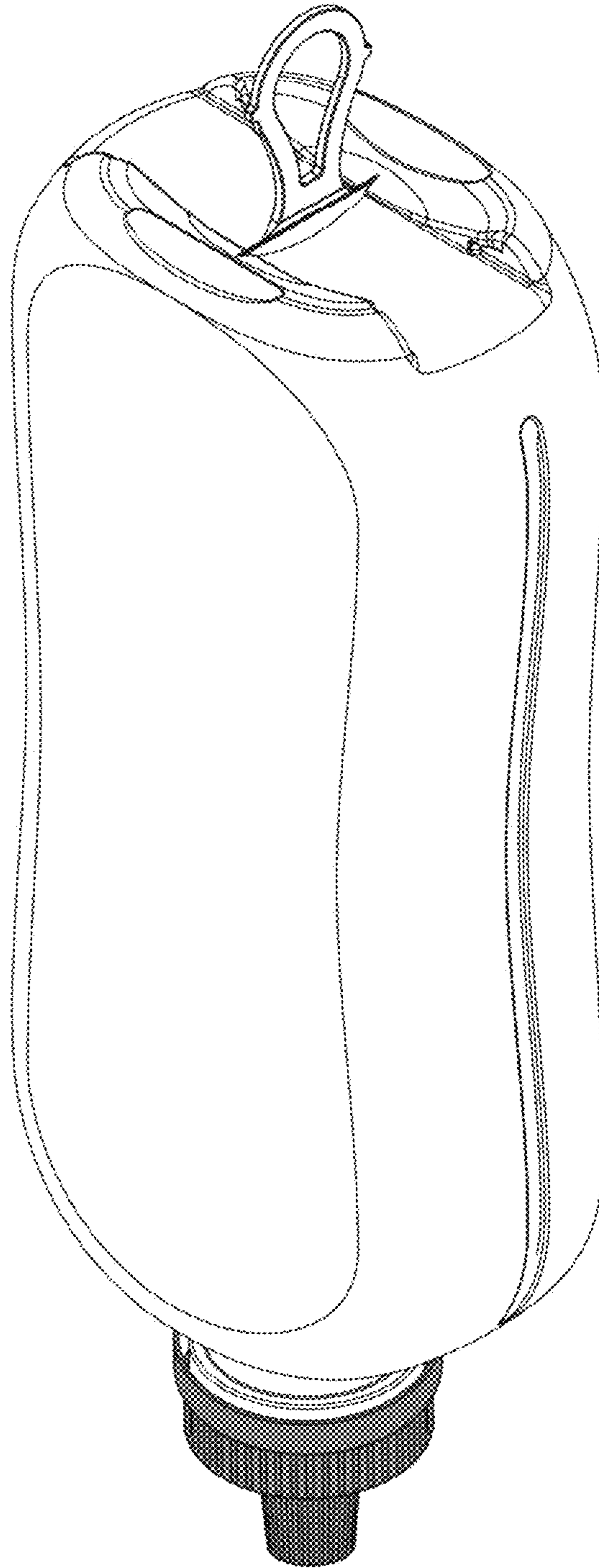


Fig. 8

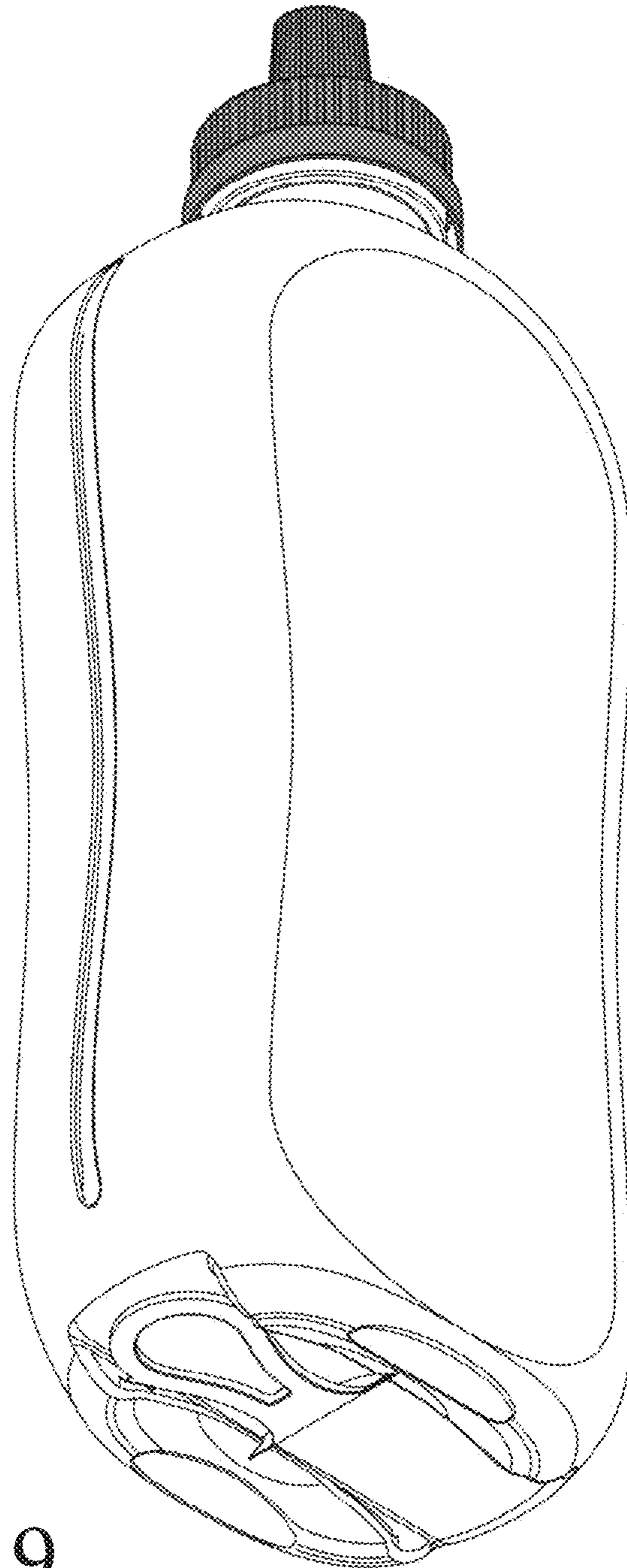


Fig. 9

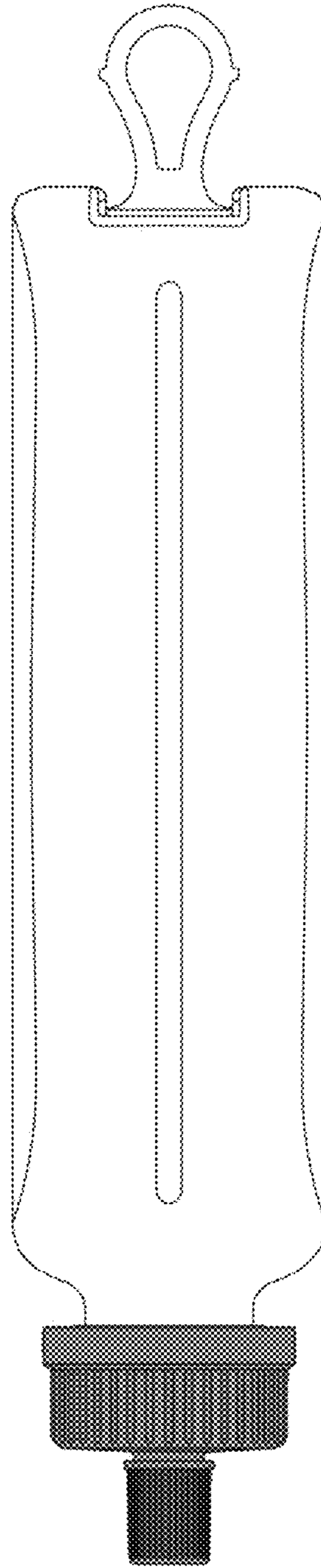


Fig. 10

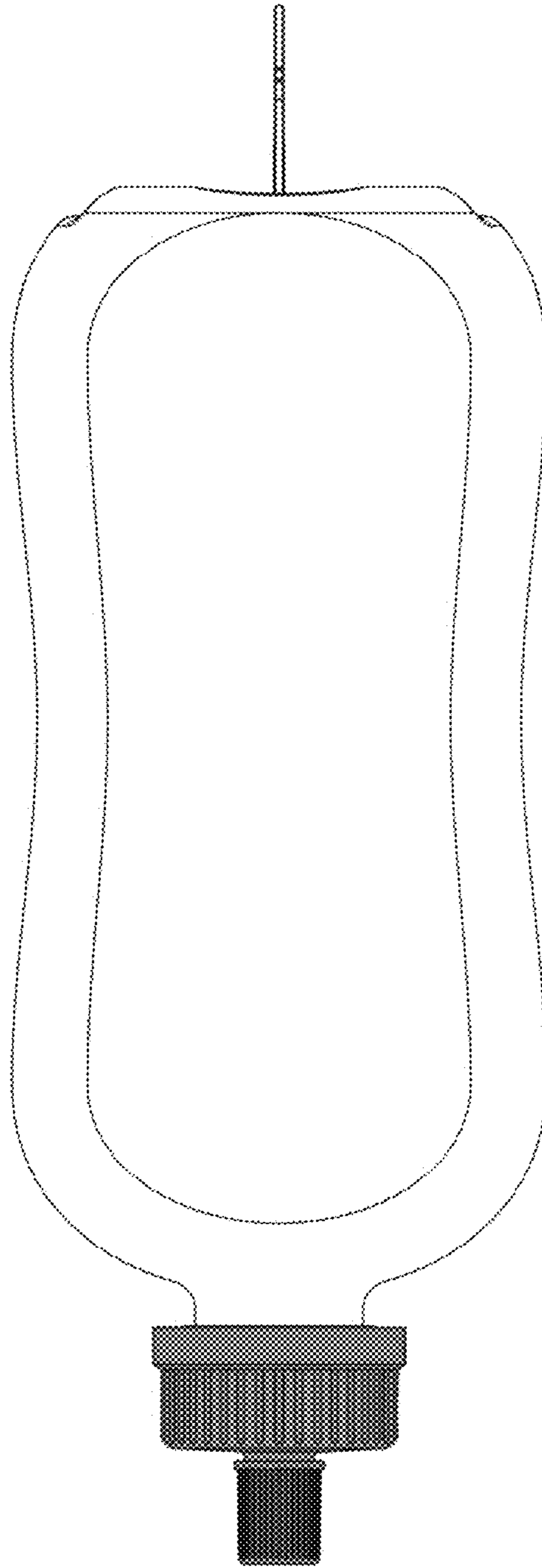


Fig. 11

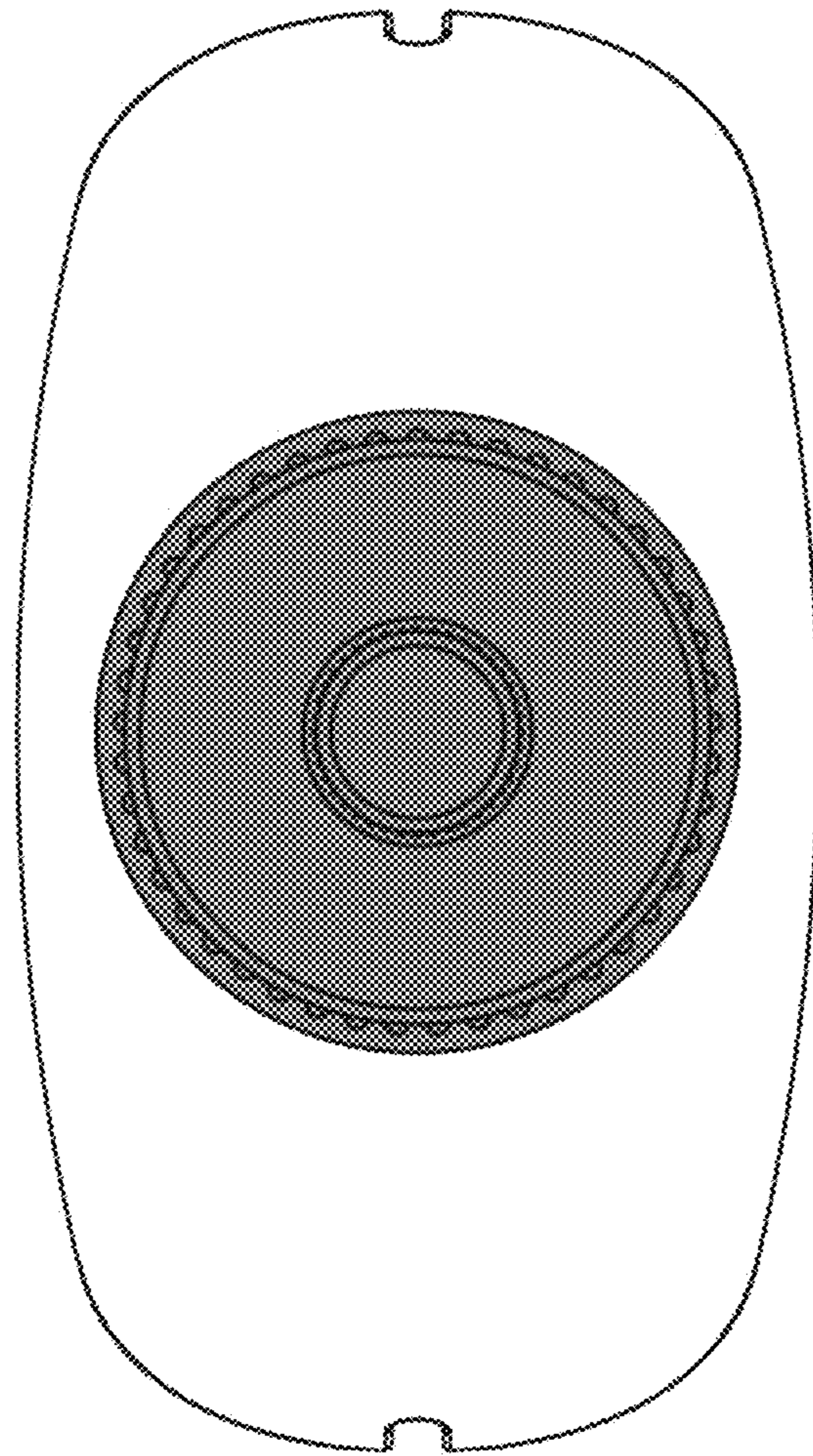


Fig. 12

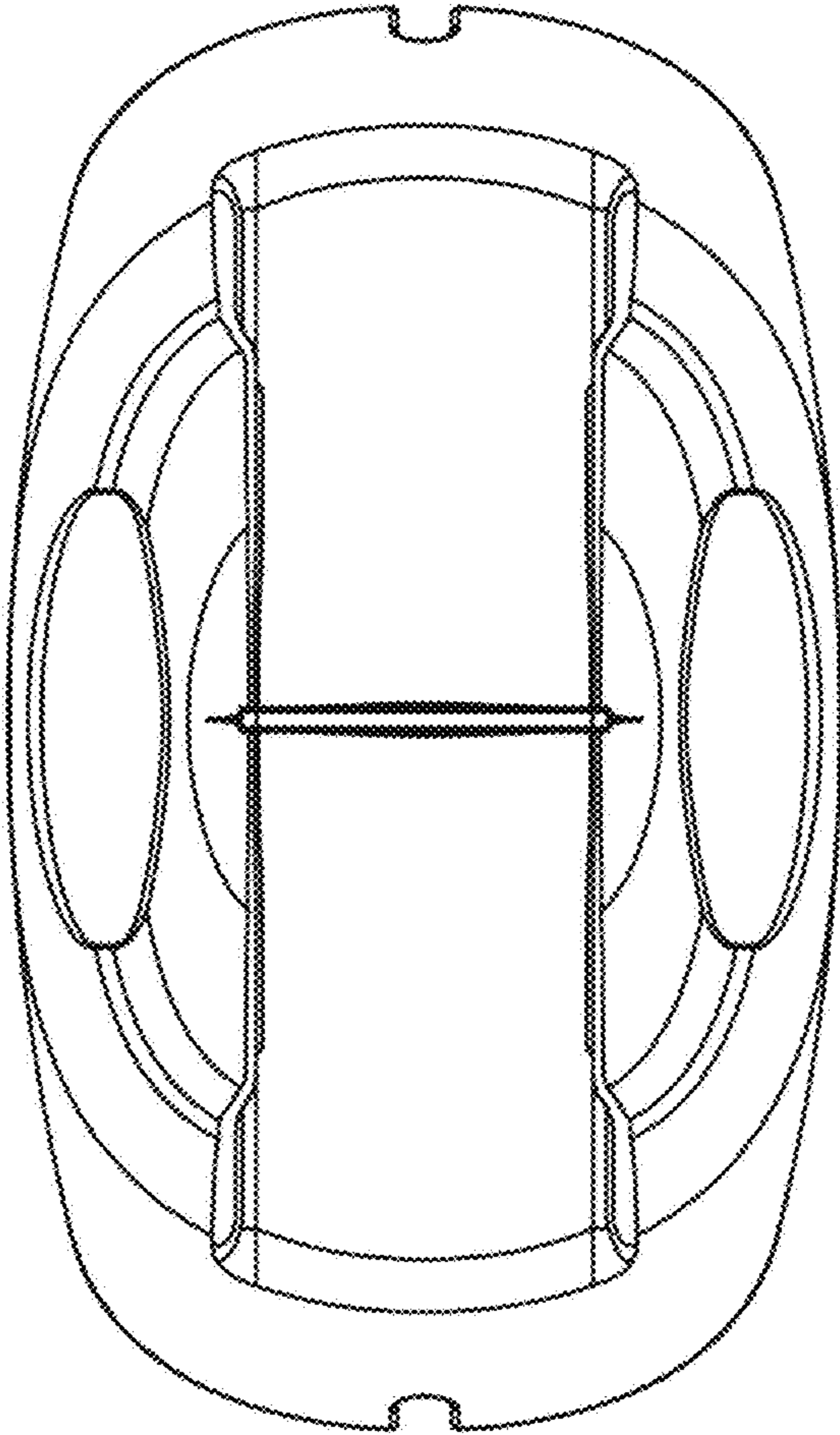


Fig. 13