



US00D883782S

(12) **United States Design Patent** (10) **Patent No.:** **US D883,782 S**
Guttery et al. (45) **Date of Patent:** **** May 12, 2020**

(54) **PACKAGING**

(71) Applicant: **NOBEL BIOCARE SERVICES AG**,
Kloten (CH)
(72) Inventors: **Luke Guttery**, Zurich (CH); **Thomas Kaup**, Affoltern am Albis (CH);
Claudia Barradas Fontes, Zurich (CH)

(73) Assignee: **NOBEL BIOCARE SERVICES AG**,
Kloten (CH)

(**) Term: **15 Years**

(21) Appl. No.: **29/668,102**

(22) Filed: **Oct. 26, 2018**

(30) **Foreign Application Priority Data**

Apr. 26, 2018 (EM) 005249299-0001
Apr. 26, 2018 (EM) 005249299-0002
(Continued)

(51) **LOC (12) Cl.** **09-03**

(52) **U.S. Cl.**
USPC **D9/432**

(58) **Field of Classification Search**
USPC D9/414-423, 424-429, 430-433, 434,
D9/456, 457, 711, 713, 721-722, 732,
(Continued)

(56) **References Cited**

U.S. PATENT DOCUMENTS

D595,129 S * 6/2009 Russell D9/432
D656,817 S * 4/2012 Tucker D9/432
(Continued)

OTHER PUBLICATIONS

Best Franklin Vandiver Packaging Box Numbers. [online] Retrieved
Sep. 5, 2019 from URL: <https://www.designspiration.com/save/70938714118/>.*

Primary Examiner — Vy N Koenig
(74) *Attorney, Agent, or Firm* — Knobbe Martens Olson
& Bear LLP

(57) **CLAIM**

The ornamental design for a packaging, as shown and
described herein.

DESCRIPTION

The patent or application filed contains at least one drawing
executed in color. Copies of this patent or patent application
publication with color drawings will be provided by the
Office upon request and payment of the necessary fee.
FIG. 1 is a perspective view of a first embodiment of a
packaging showing the new design.
FIGS. 2-7 show front, back, top, bottom, left, and right
views, respectively, thereof.
FIG. 8 is a perspective view of a second embodiment of a
packaging showing the new design in color.
FIGS. 9-14 show front, back, top, bottom, left, and right
views, respectively, thereof.
FIG. 15 is a perspective view of a third embodiment of a
packaging showing the new design.
FIGS. 16-21 show front, back, top, bottom, left, and right
views, respectively, thereof.
FIG. 22 is a perspective view of a fourth embodiment of a
packaging showing the new design in color.
FIGS. 23-28 show front, back, top, bottom, left, and right
views, respectively, thereof.
FIG. 29 is a perspective view of a fifth embodiment of a
packaging showing the new design.
FIGS. 30-35 show front, back, top, bottom, left, and right
views, respectively, thereof.
FIG. 36 is a perspective view of a sixth embodiment of a
packaging showing the new design in color.
FIGS. 37-42 show front, back, top, bottom, left, and right
views, respectively, thereof.
FIG. 43 is a perspective view of a seventh embodiment of a
packaging showing my new design in a stacked arrange-
ment.
FIGS. 44-49 show front, back, top, bottom, left, and right
views, respectively, thereof.

(Continued)

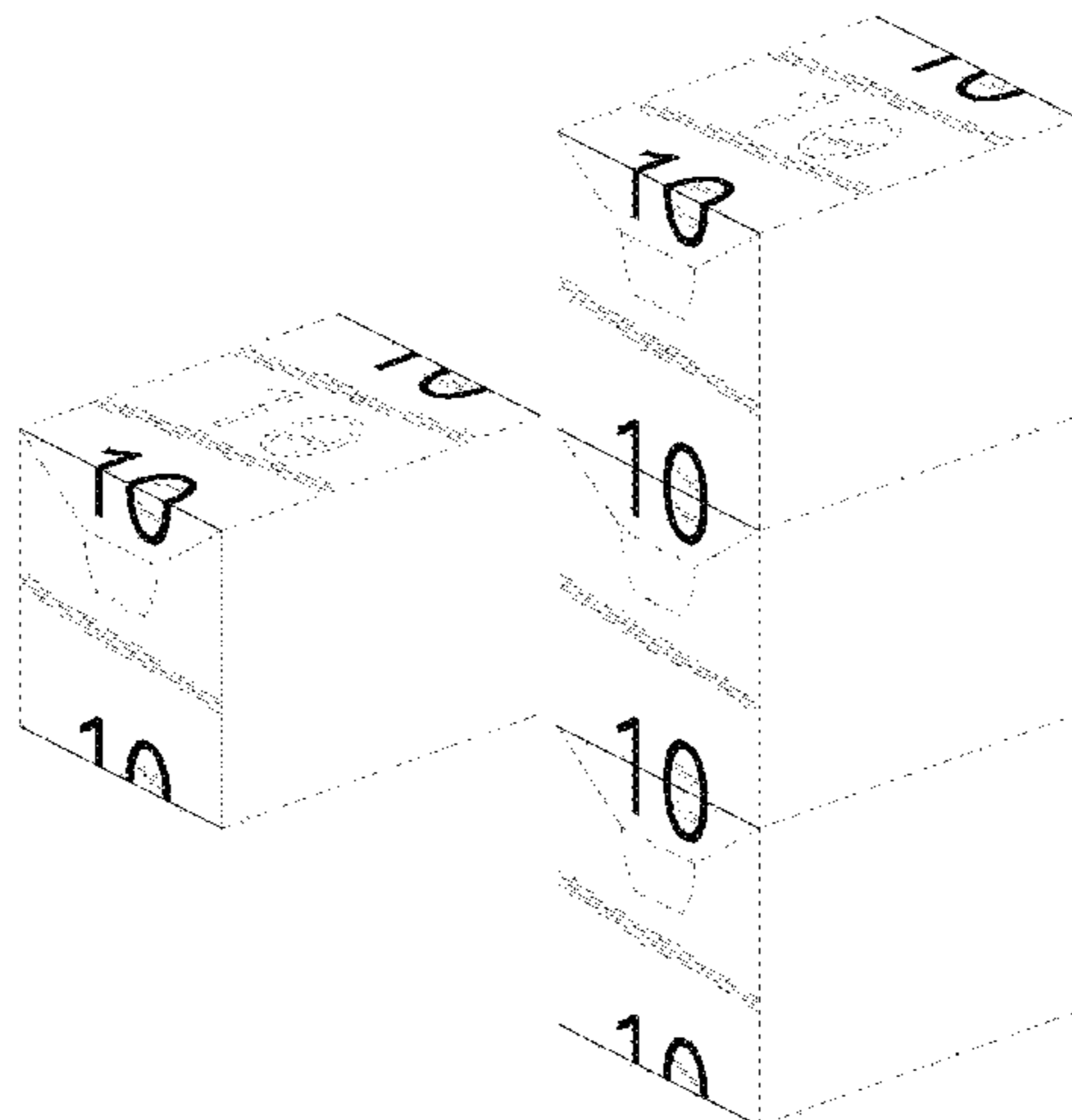


FIG. 50 is a perspective view of a sixth embodiment of a packaging showing my new design in a stacked arrangement in color; and, FIGS. 51-56 show front, back, top, bottom, left, and right views, respectively, thereof. Front and top panels of each of the above embodiments are shown with contour lines indicating flat surfaces. All features in broken lines are for the purpose of illustrating environmental structure and form no part of the claimed subject matter.

**1 Claim, 36 Drawing Sheets
(12 of 36 Drawing Sheet(s) Filed in Color)**

(30) **Foreign Application Priority Data**

Apr. 26, 2018 (EM) 005249299-0003
 Apr. 26, 2018 (EM) 005249299-0004
 Apr. 26, 2018 (EM) 005249299-0005
 Apr. 26, 2018 (EM) 005249299-0006

(58) **Field of Classification Search**

USPC D9/737, 759, 600, 652; D3/272-274,
 D3/290, 304, 305, 310, 311, 312, 313,
 D3/314, 315, 319; D20/10, 22, 27, 40,
 D20/42
 CPC ... B65D 5/00; B65D 5/02; B65D 5/18; B65D
 5/20

See application file for complete search history.

(56) **References Cited**

U.S. PATENT DOCUMENTS

D680,878 S * 4/2013 Ford D9/529
 D729,056 S * 5/2015 She D9/420
 D779,935 S * 2/2017 Rotar D9/432
 D823,119 S * 7/2018 Louw D9/600
 D837,051 S * 1/2019 Dumville D9/432
 D837,062 S * 1/2019 Senior D9/667

* cited by examiner

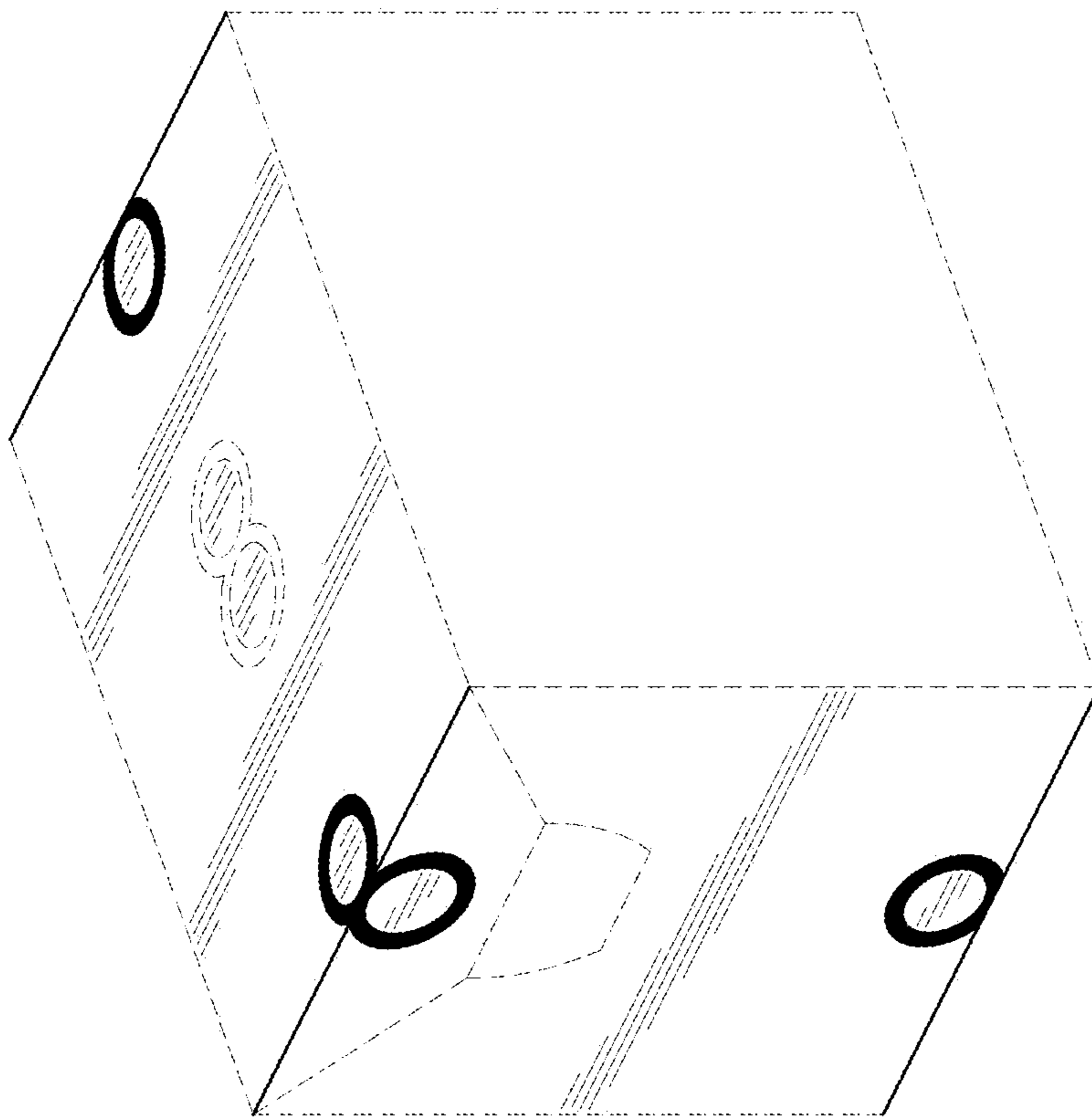


FIG. 1

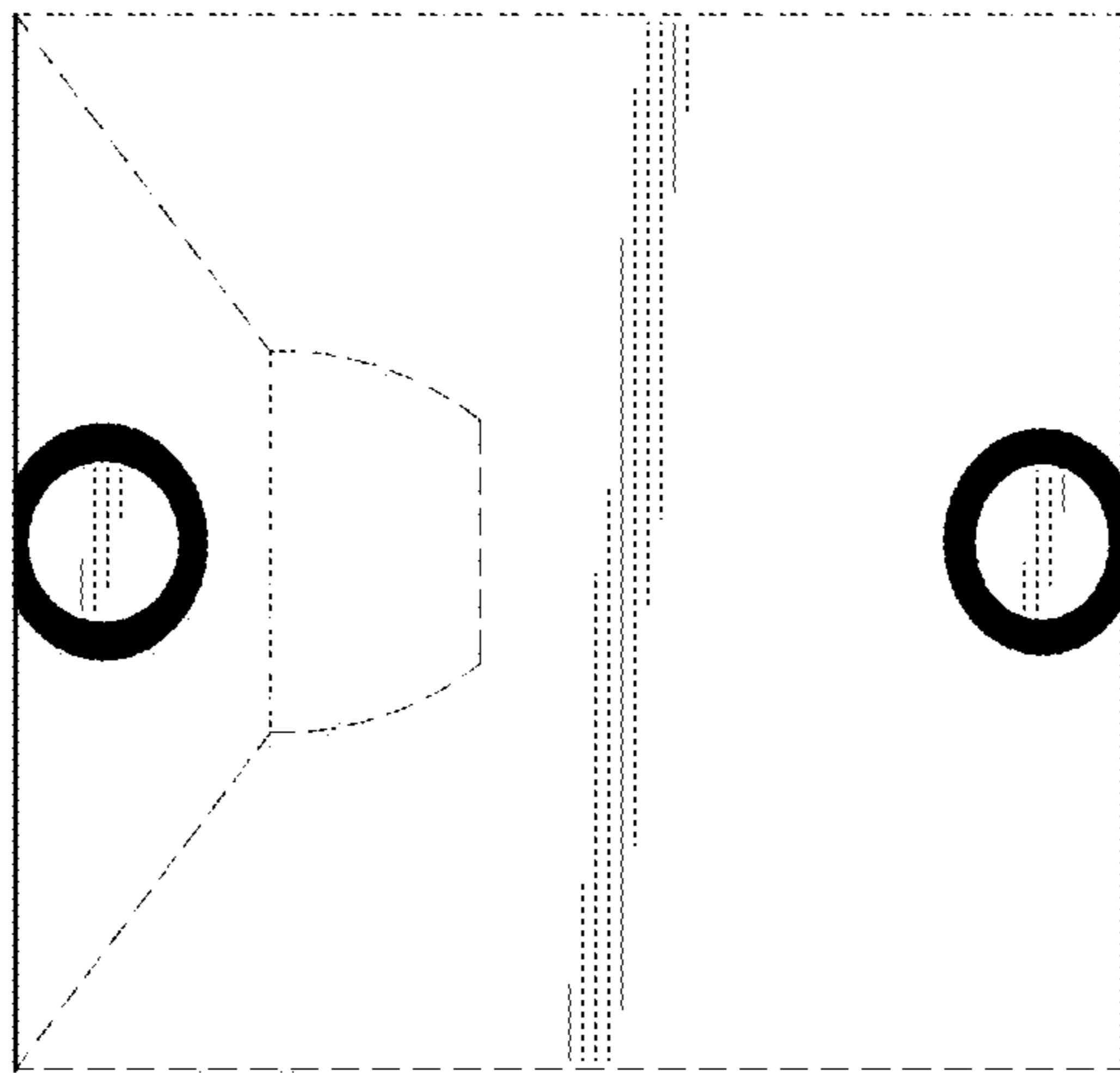


FIG. 2



FIG. 3

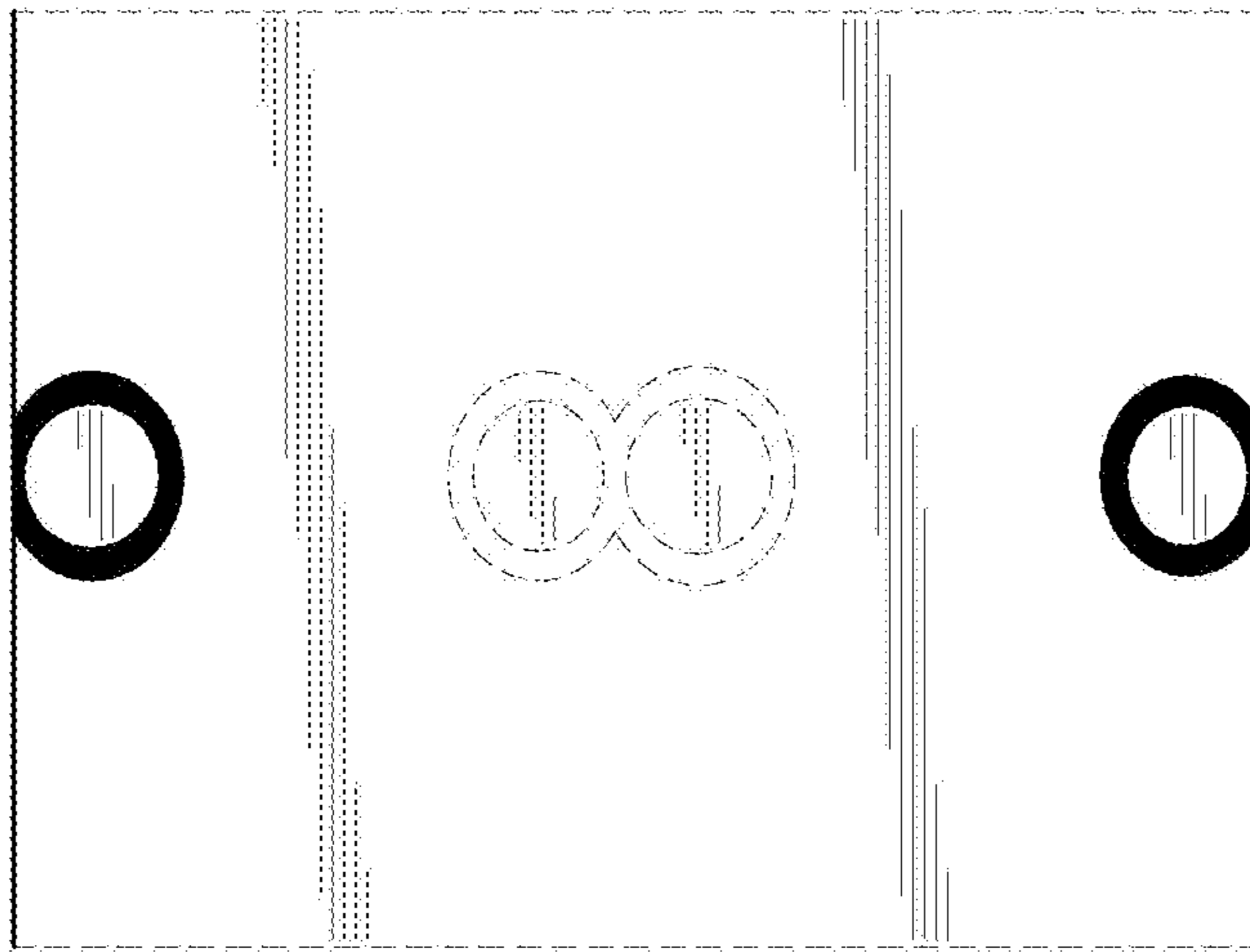


FIG. 4



FIG. 5



FIG. 7



FIG. 6

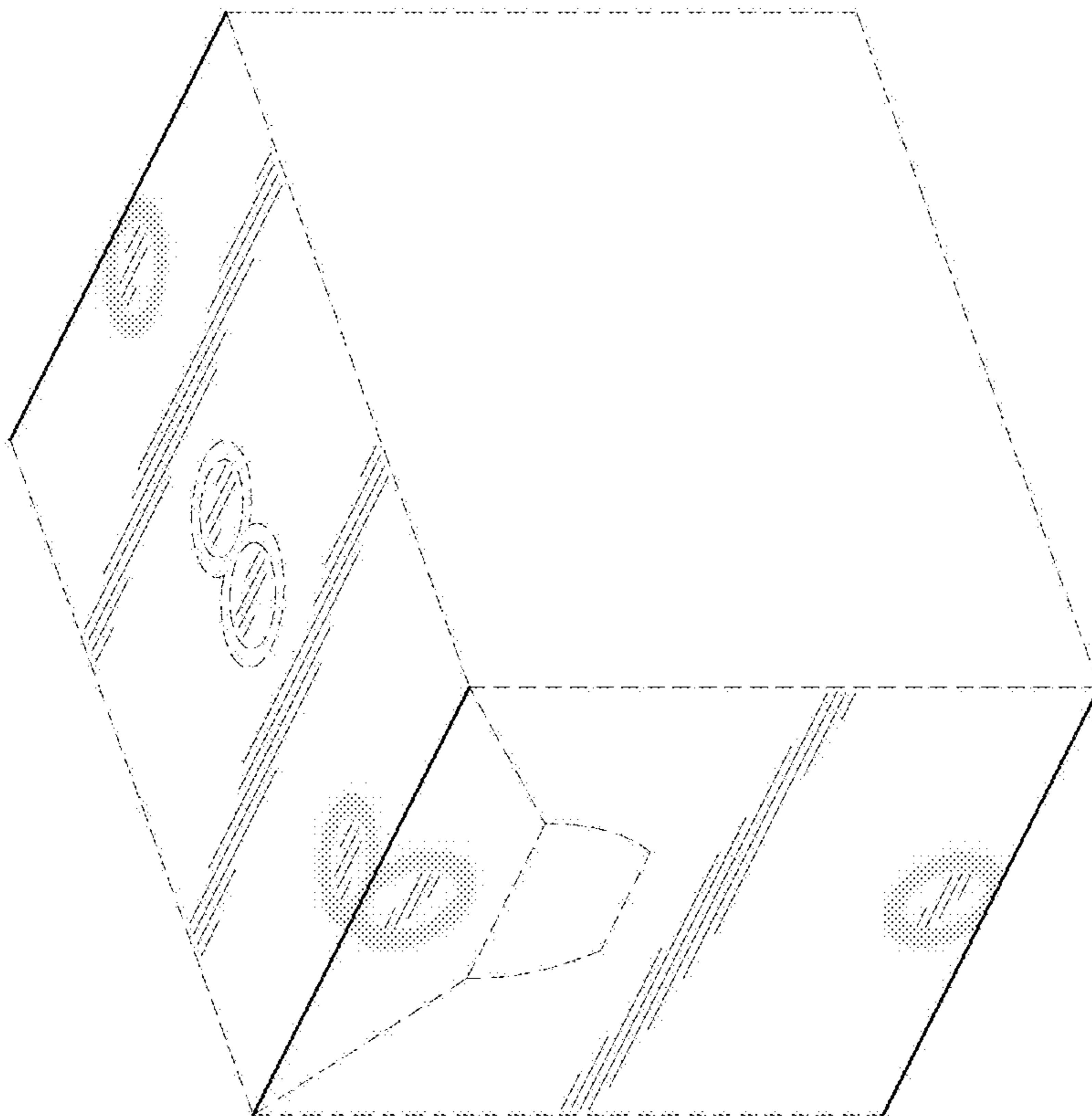


FIG. 8

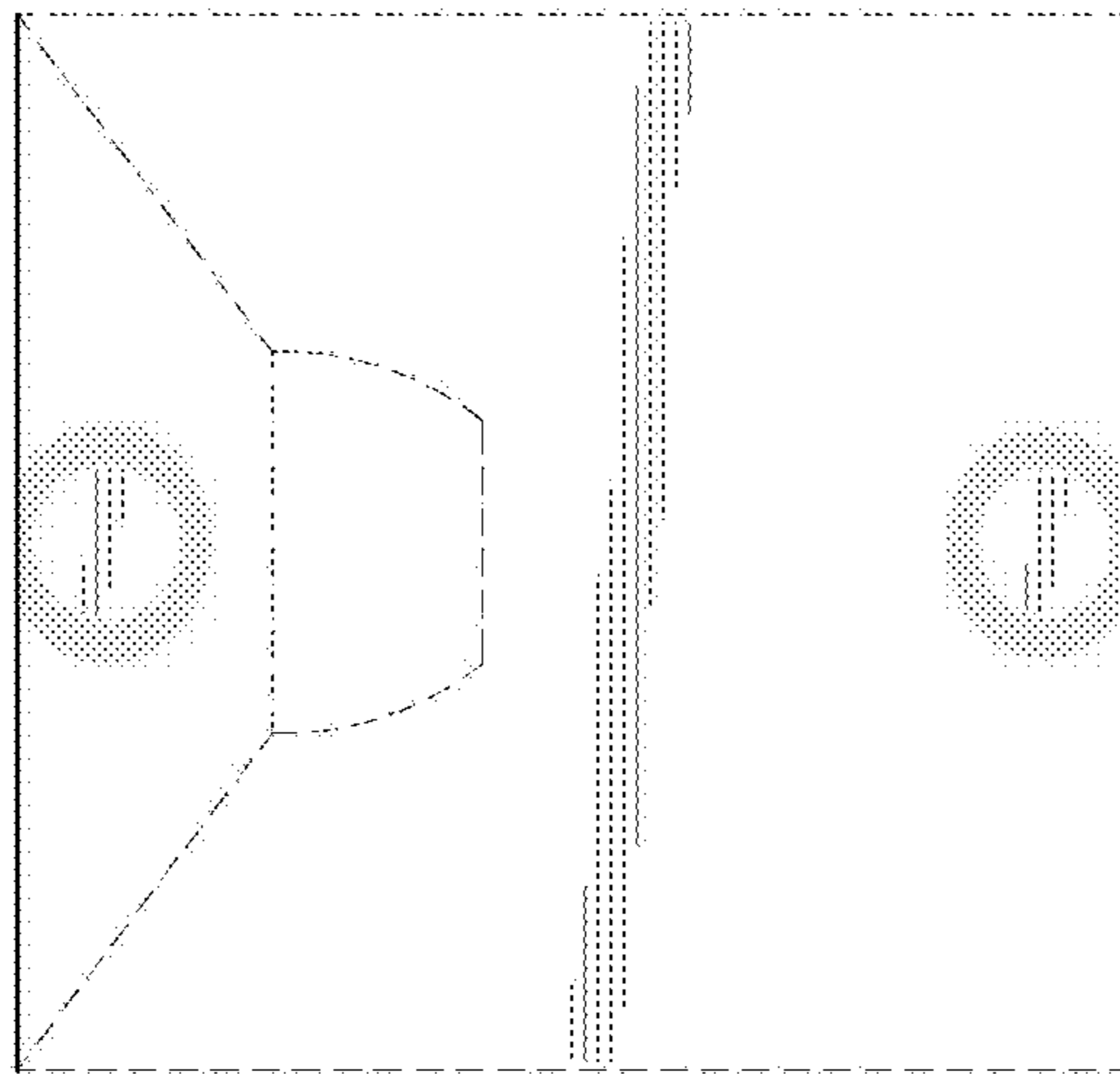


FIG. 9



FIG. 10

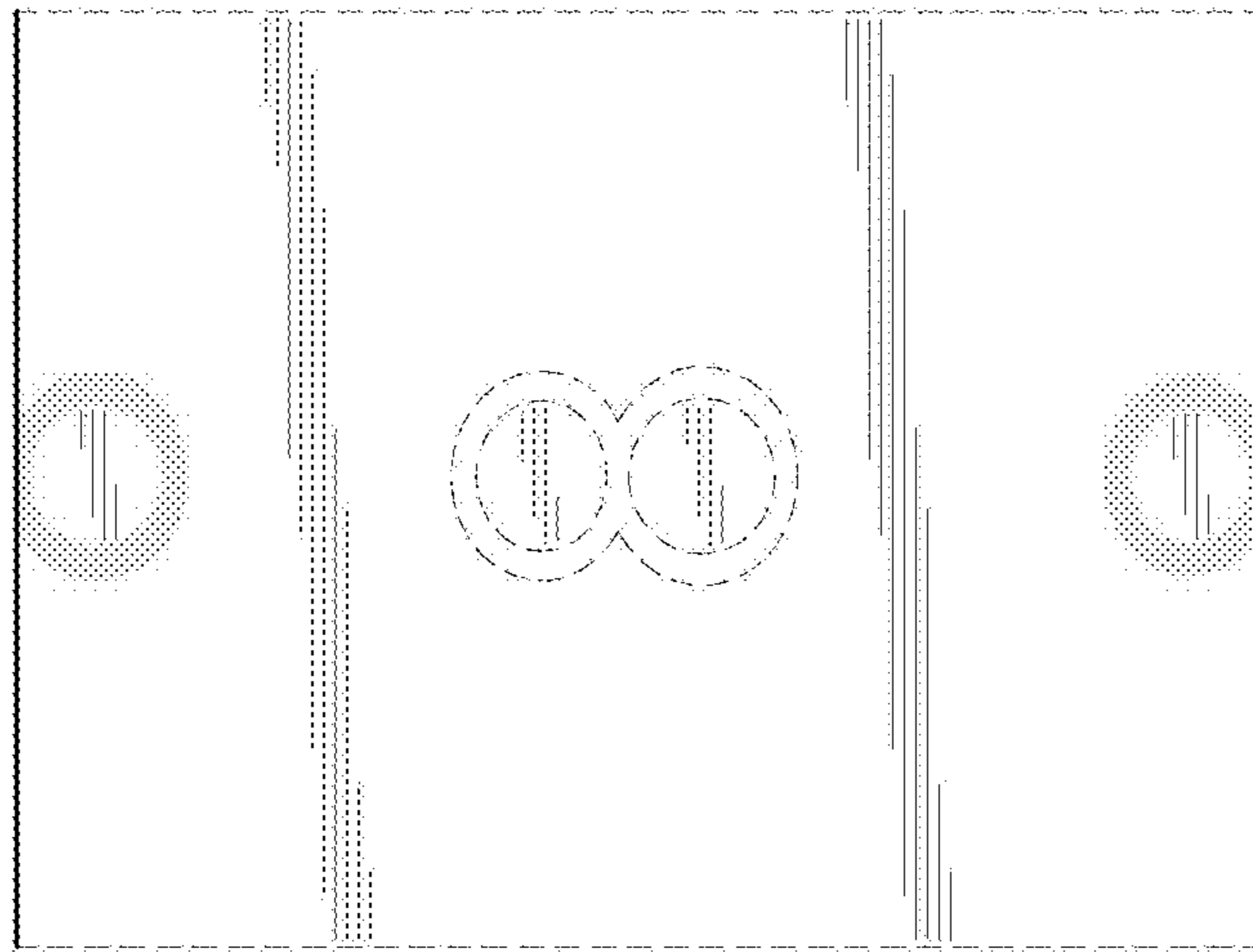


FIG. 11



FIG. 12

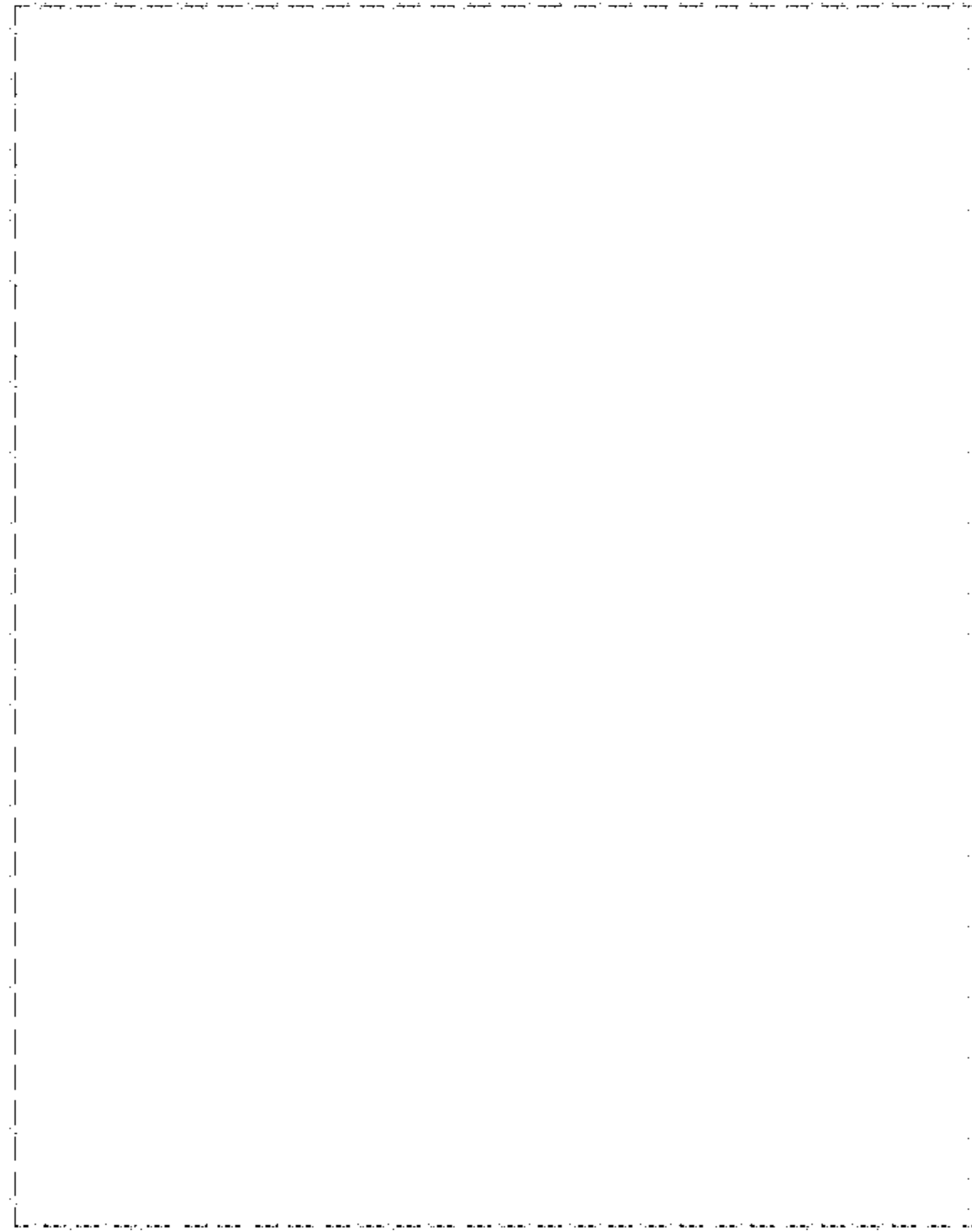


FIG. 14

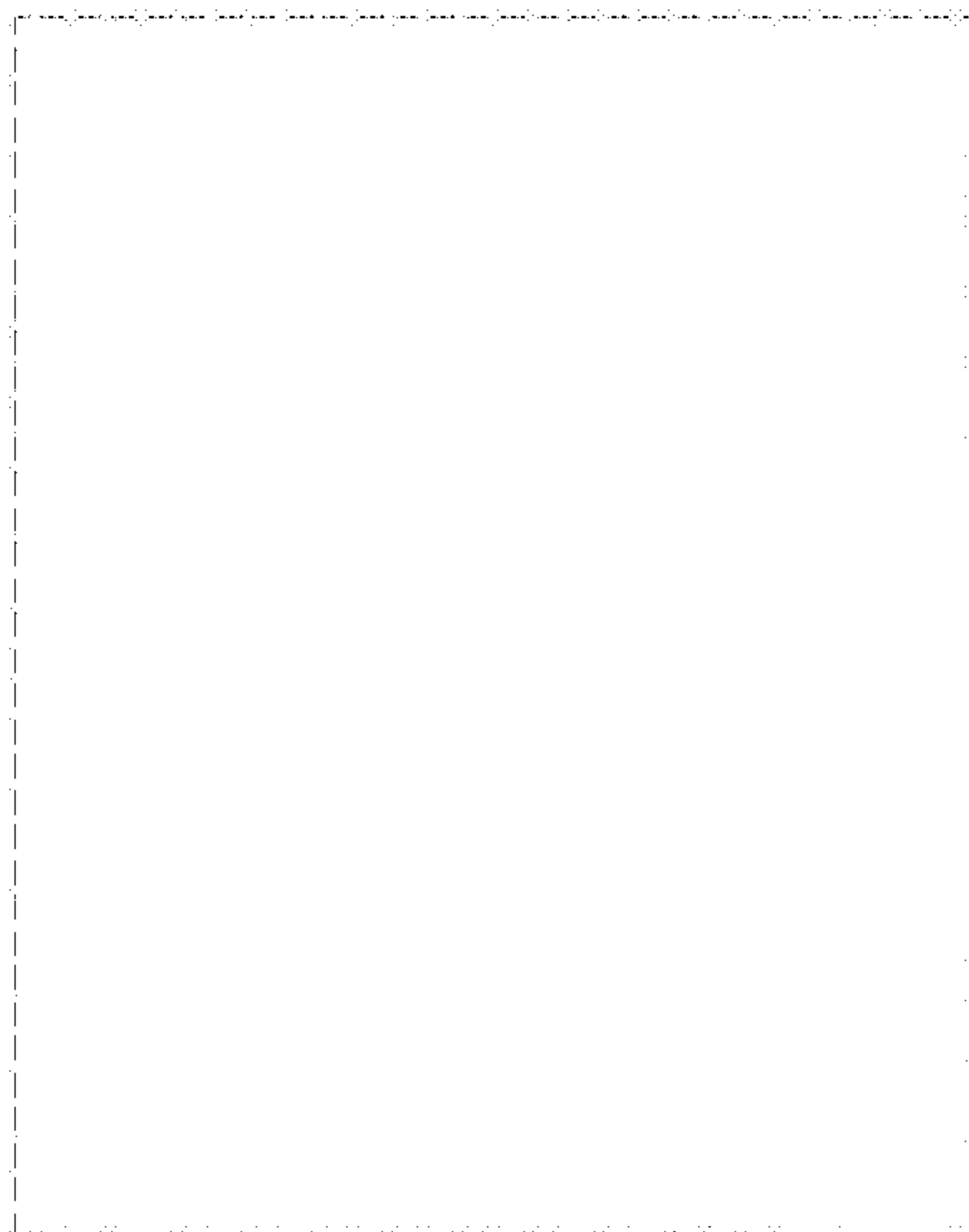


FIG. 13

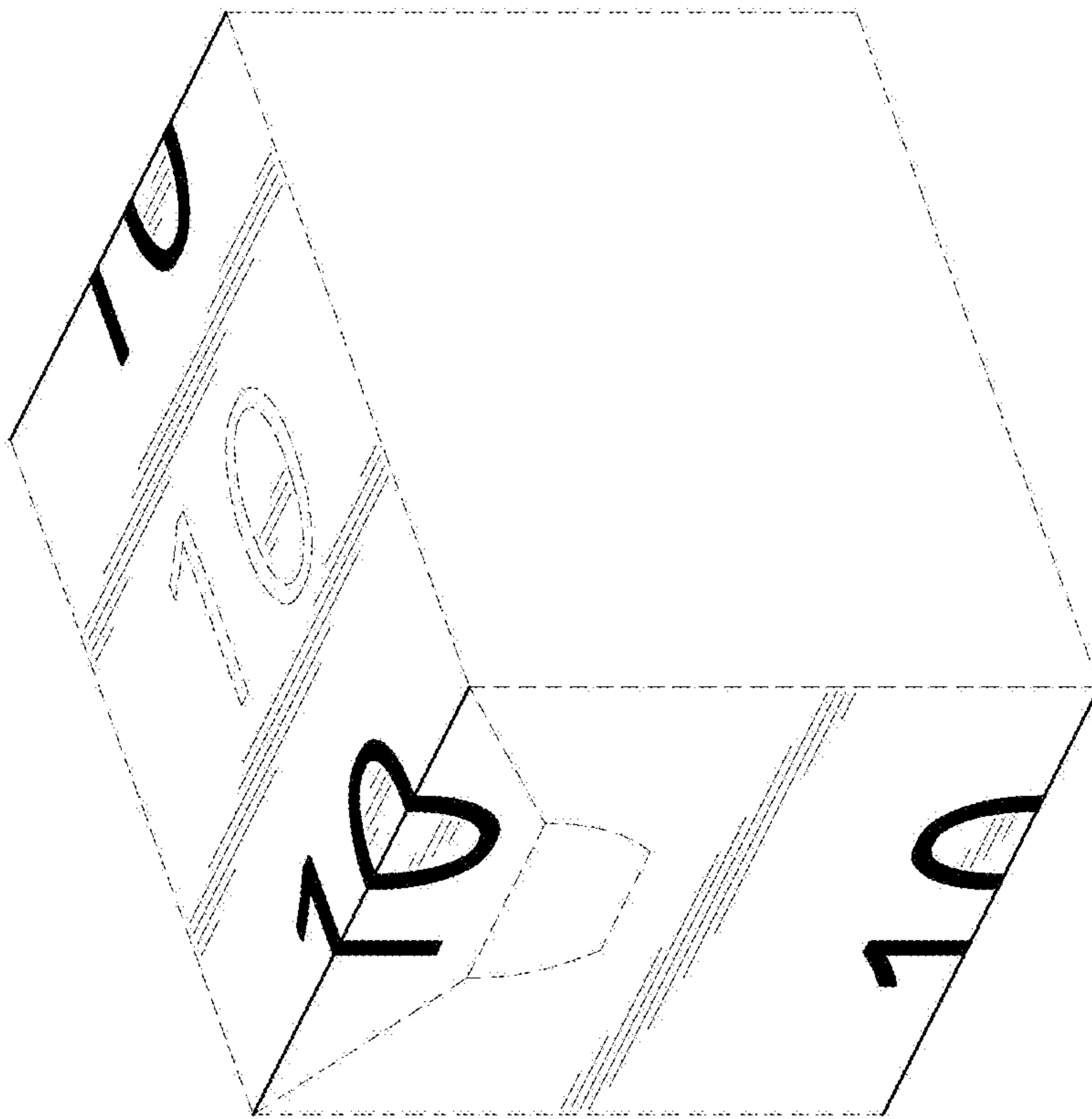


FIG. 15

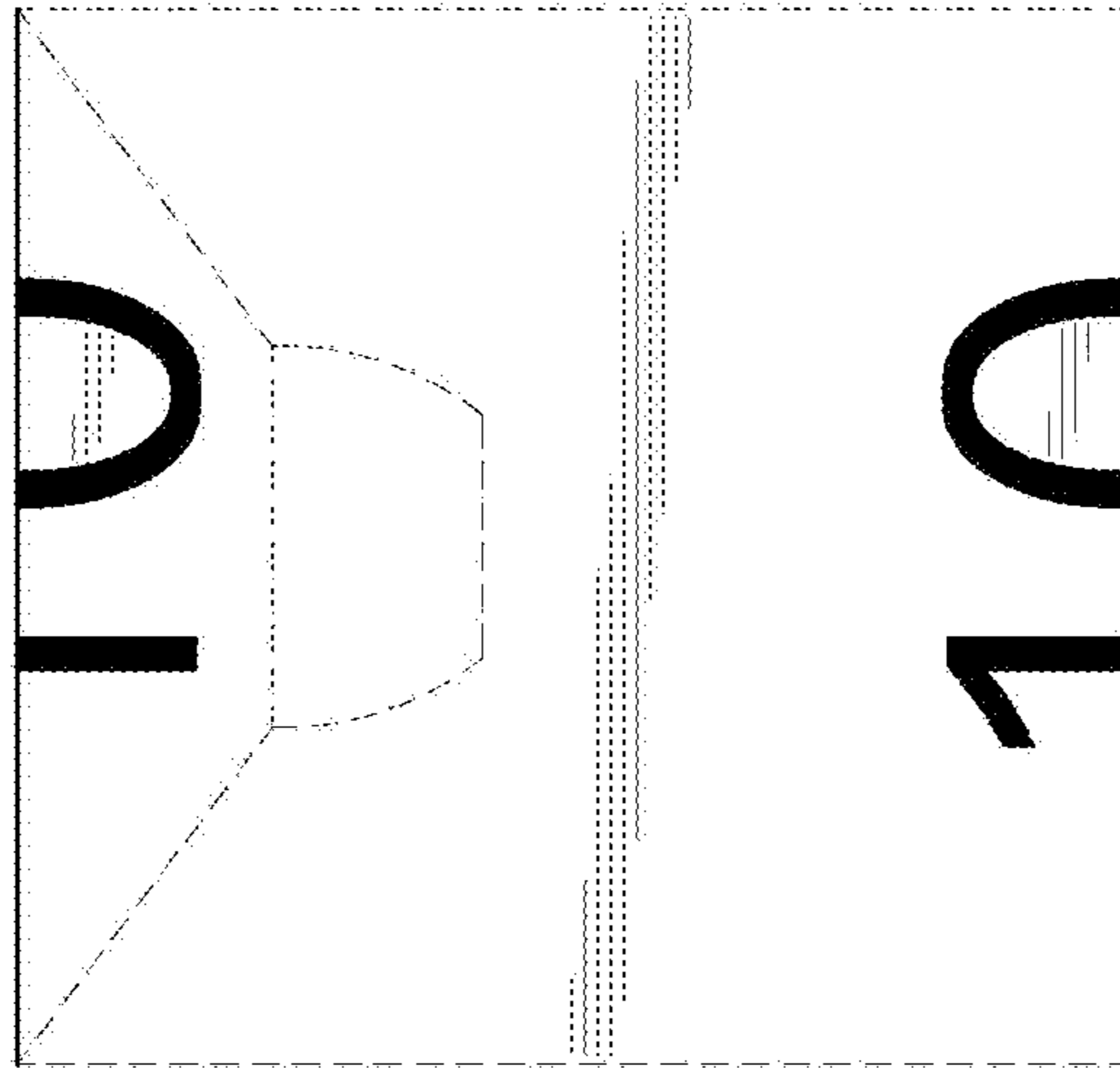


FIG. 16



FIG. 17

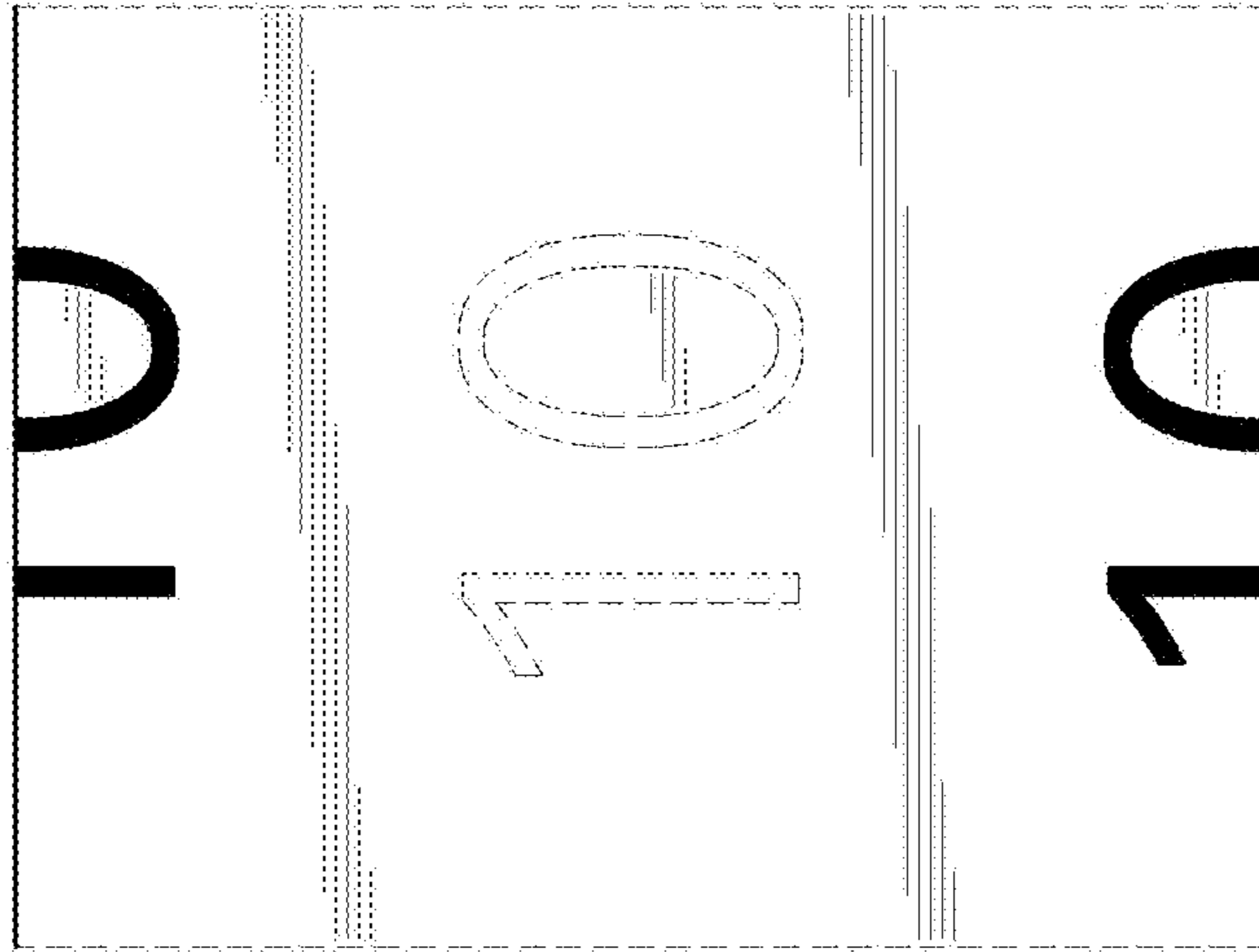


FIG. 18

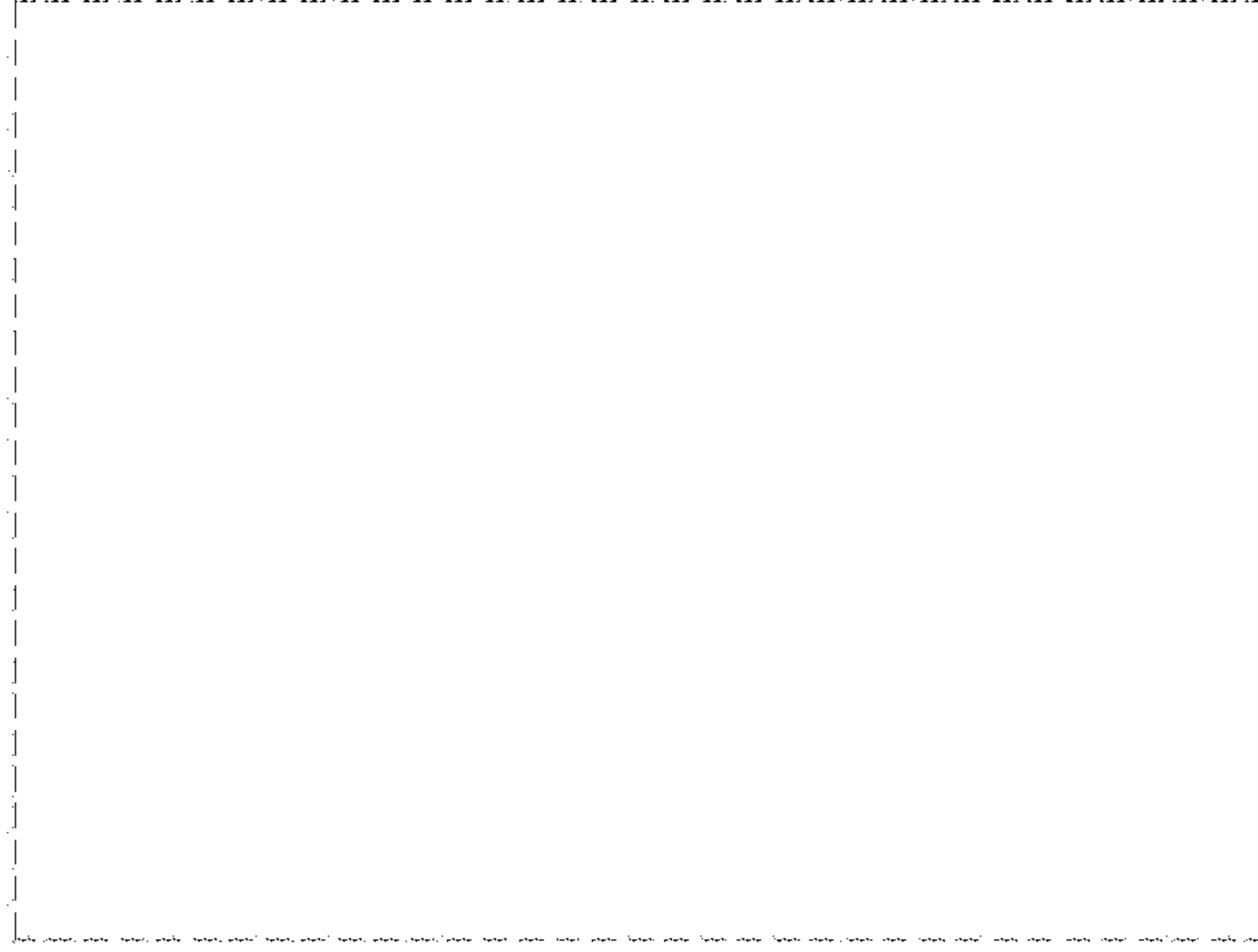


FIG. 19

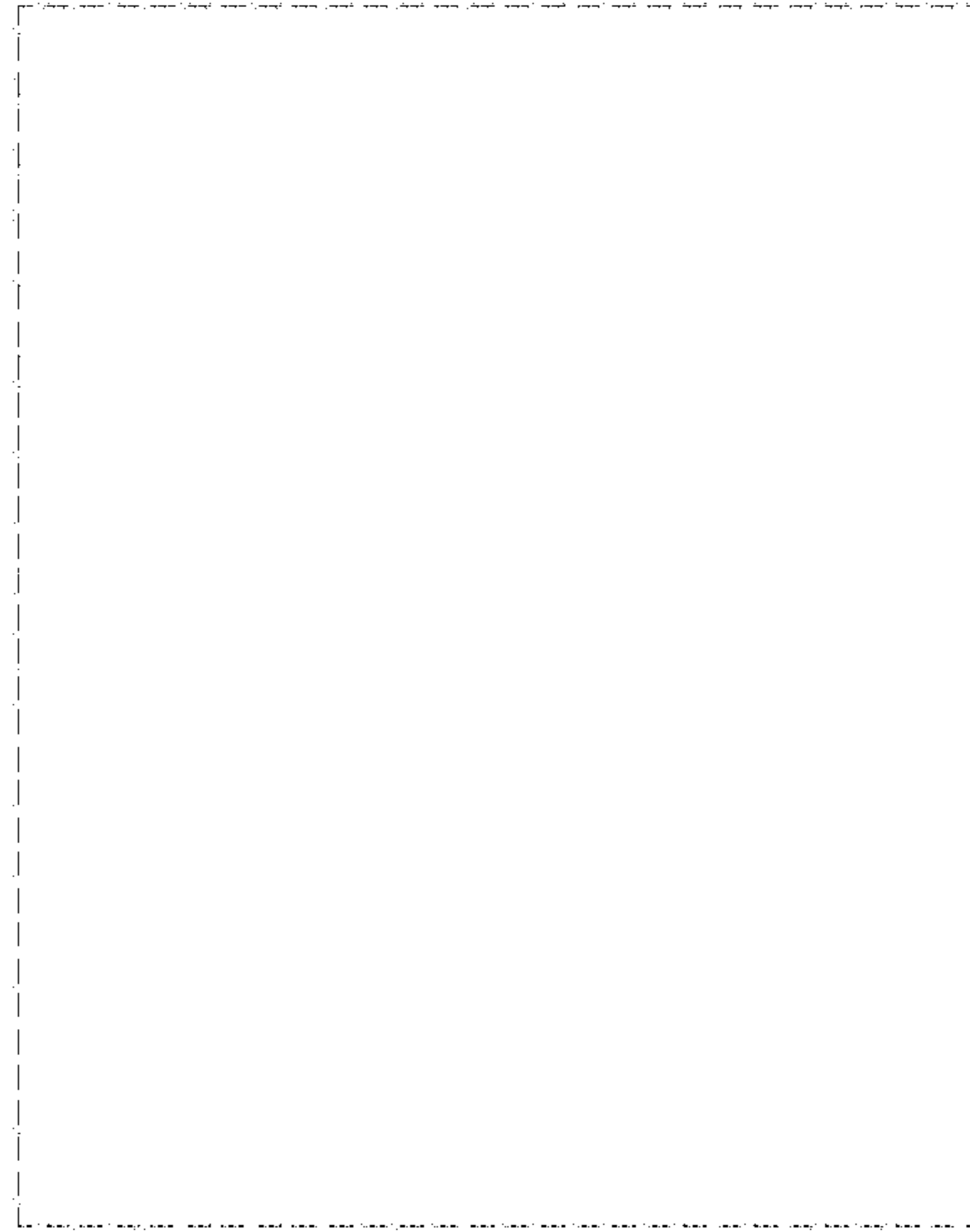


FIG. 21

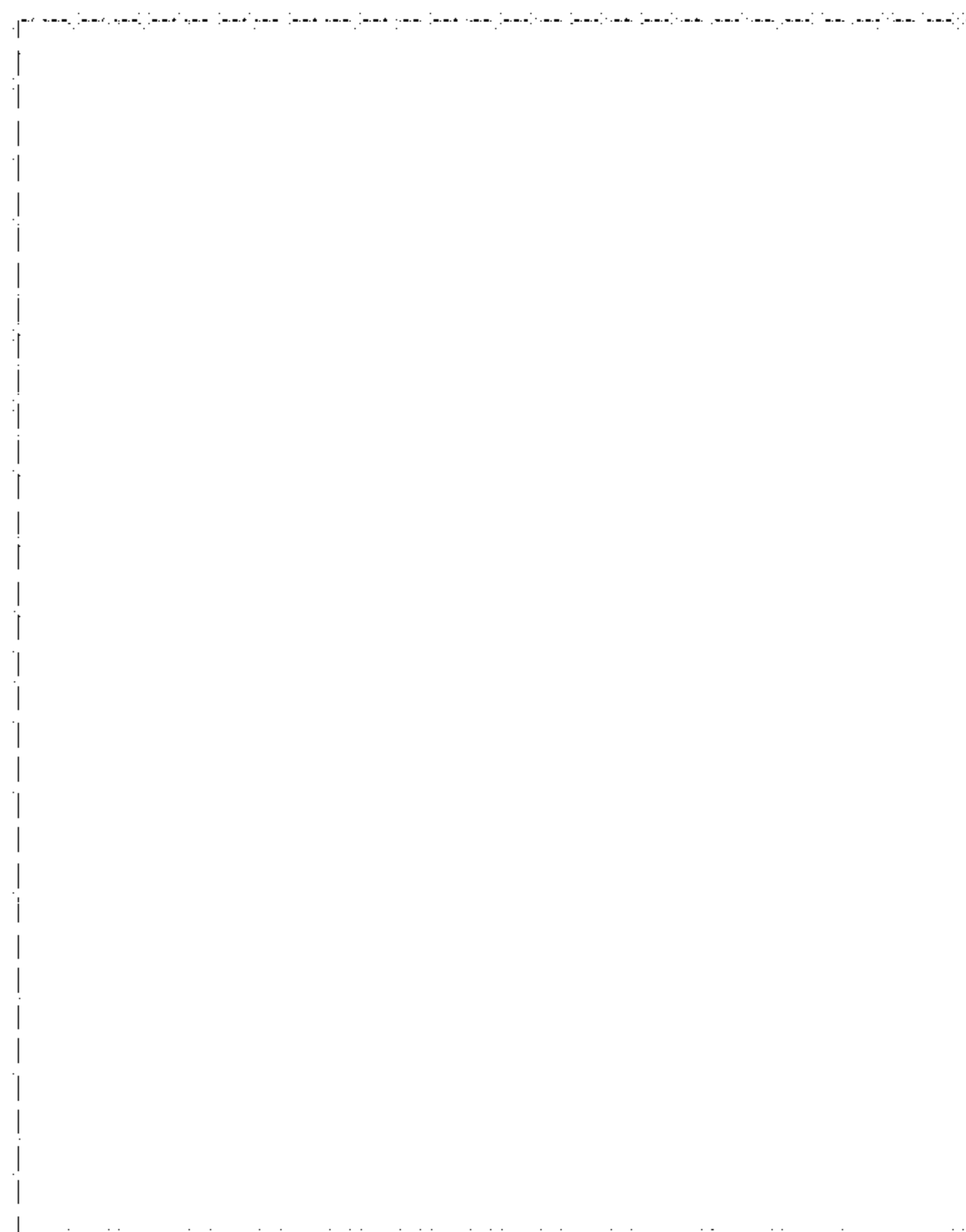


FIG. 20

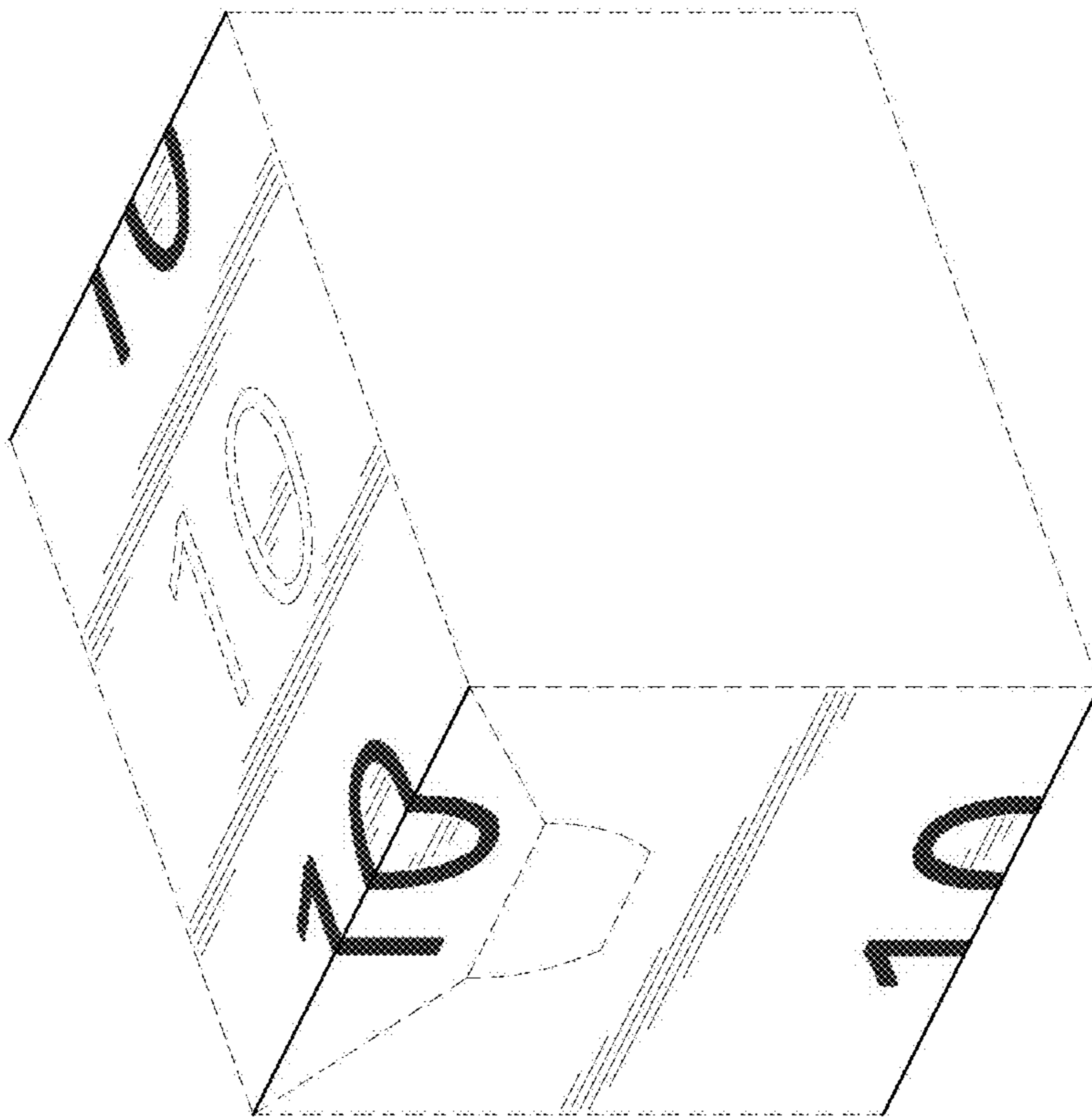


FIG. 22

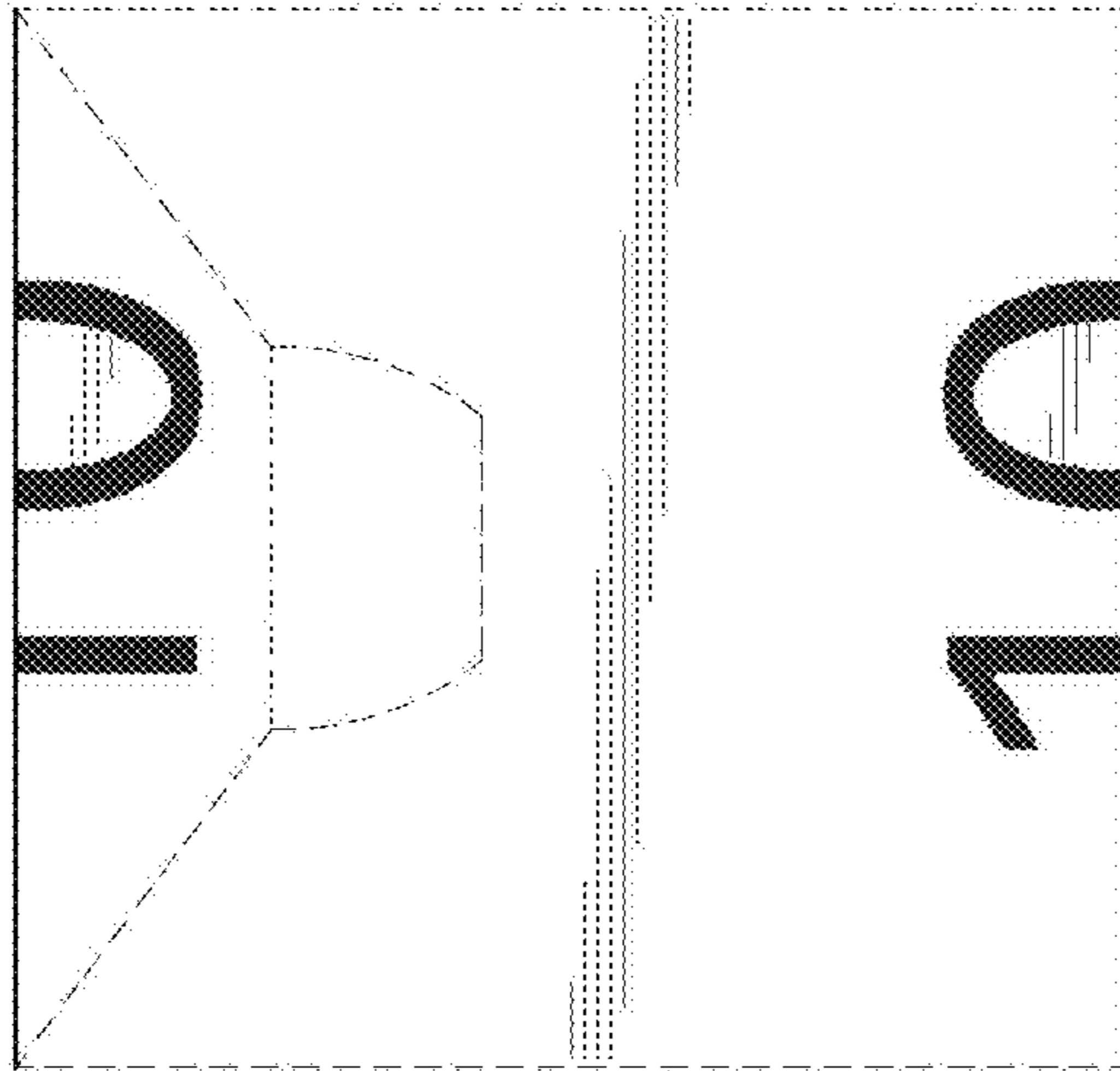


FIG. 23



FIG. 24

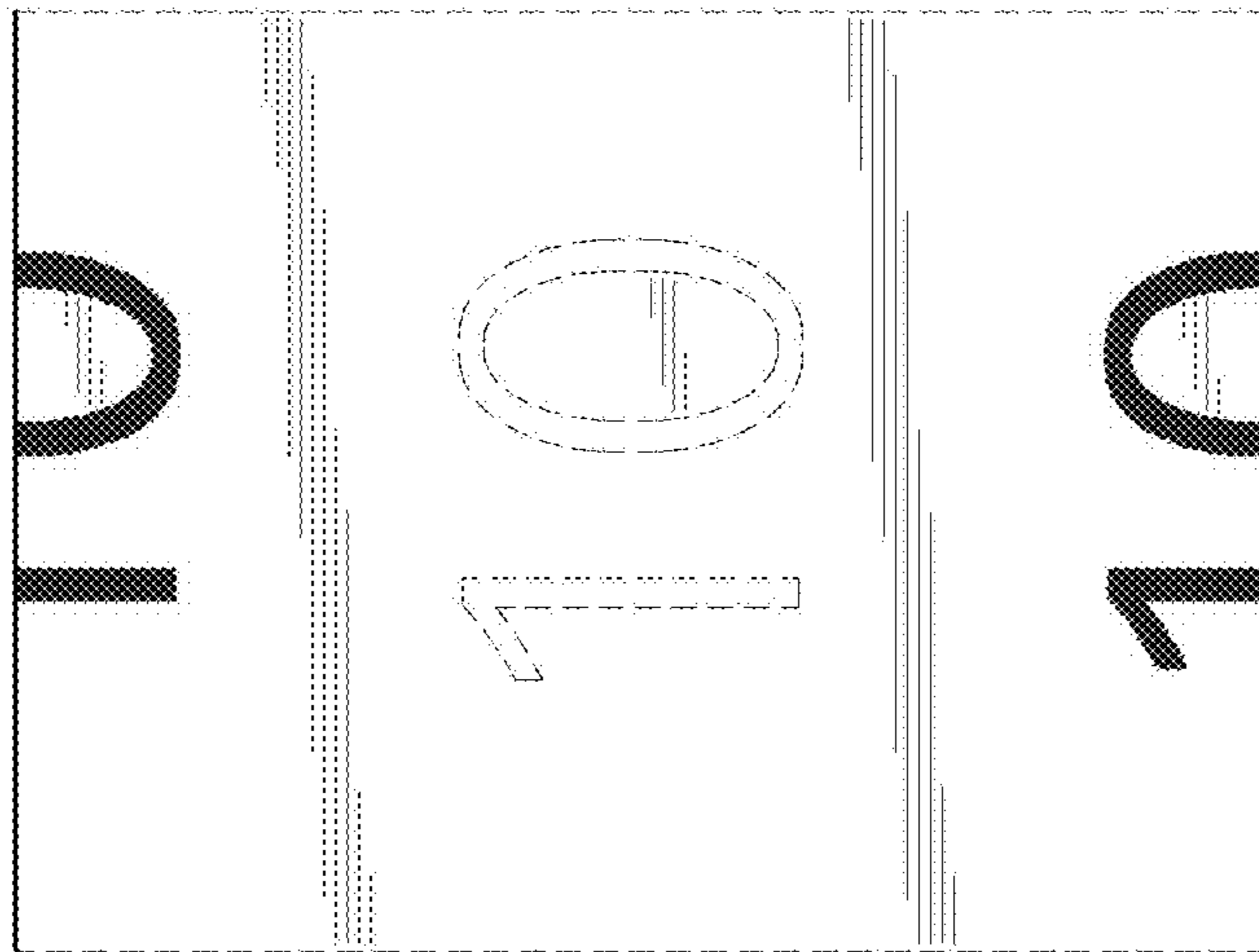


FIG. 25



FIG. 26

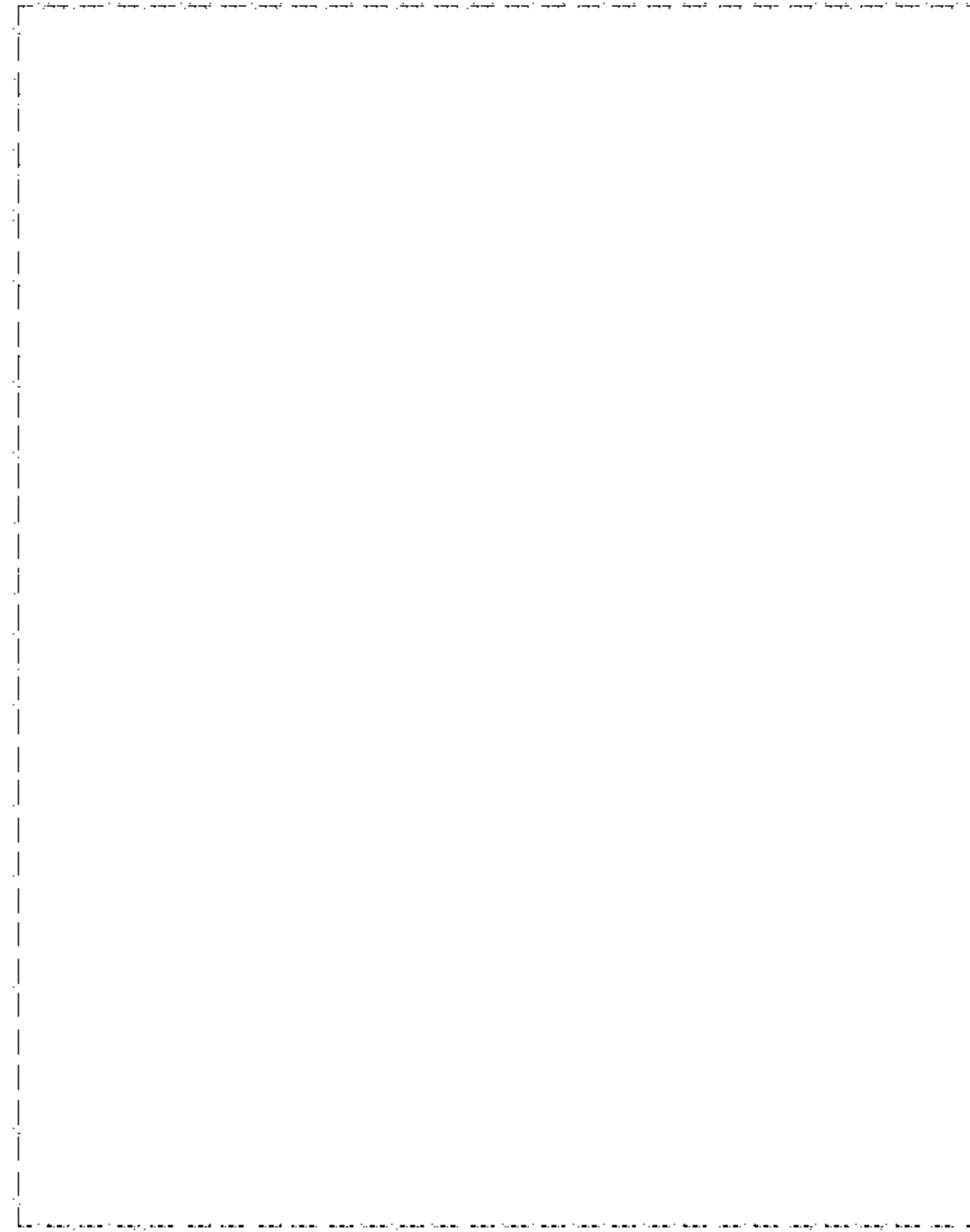


FIG. 28

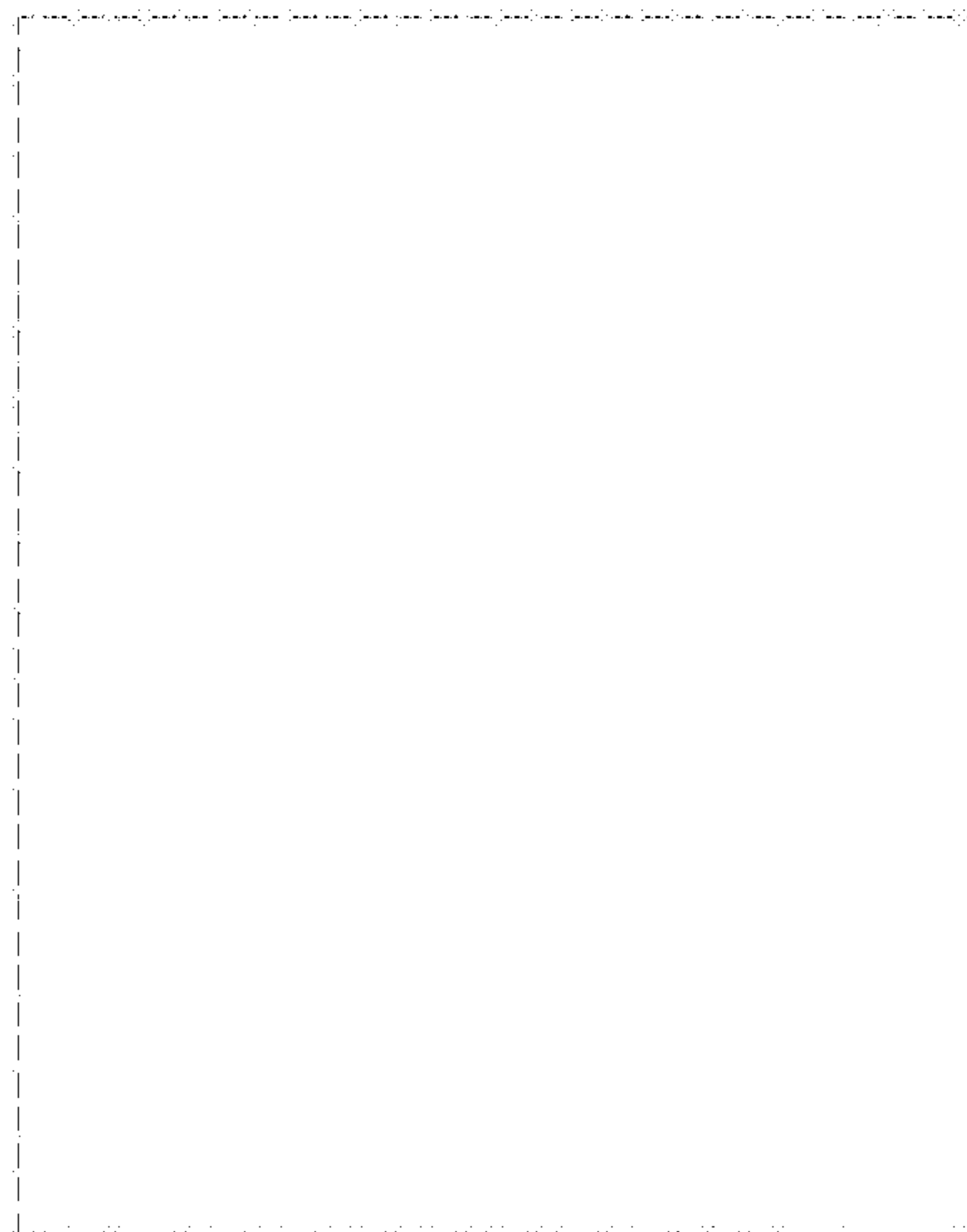


FIG. 27

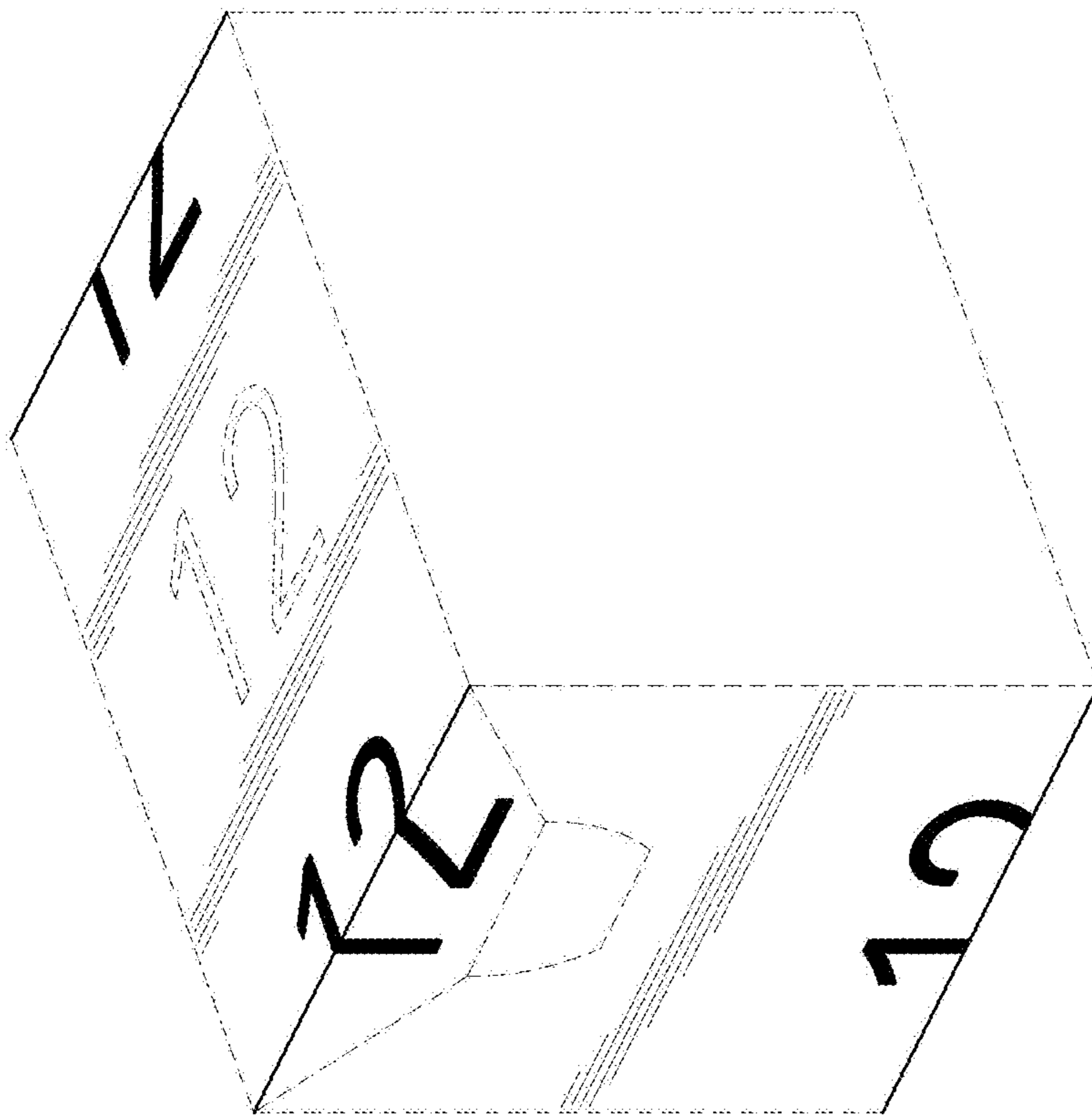


FIG. 29

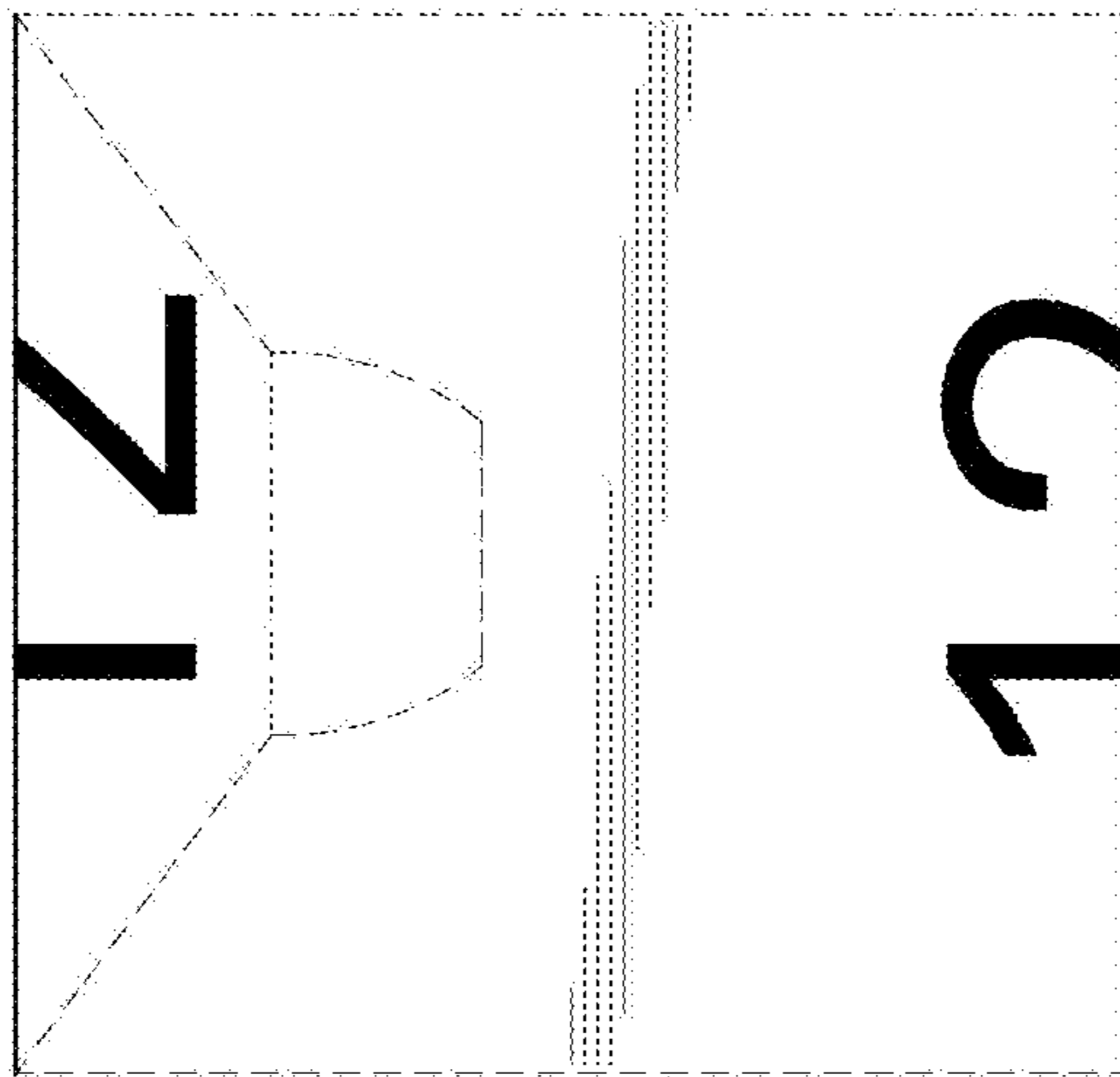


FIG. 30



FIG. 31

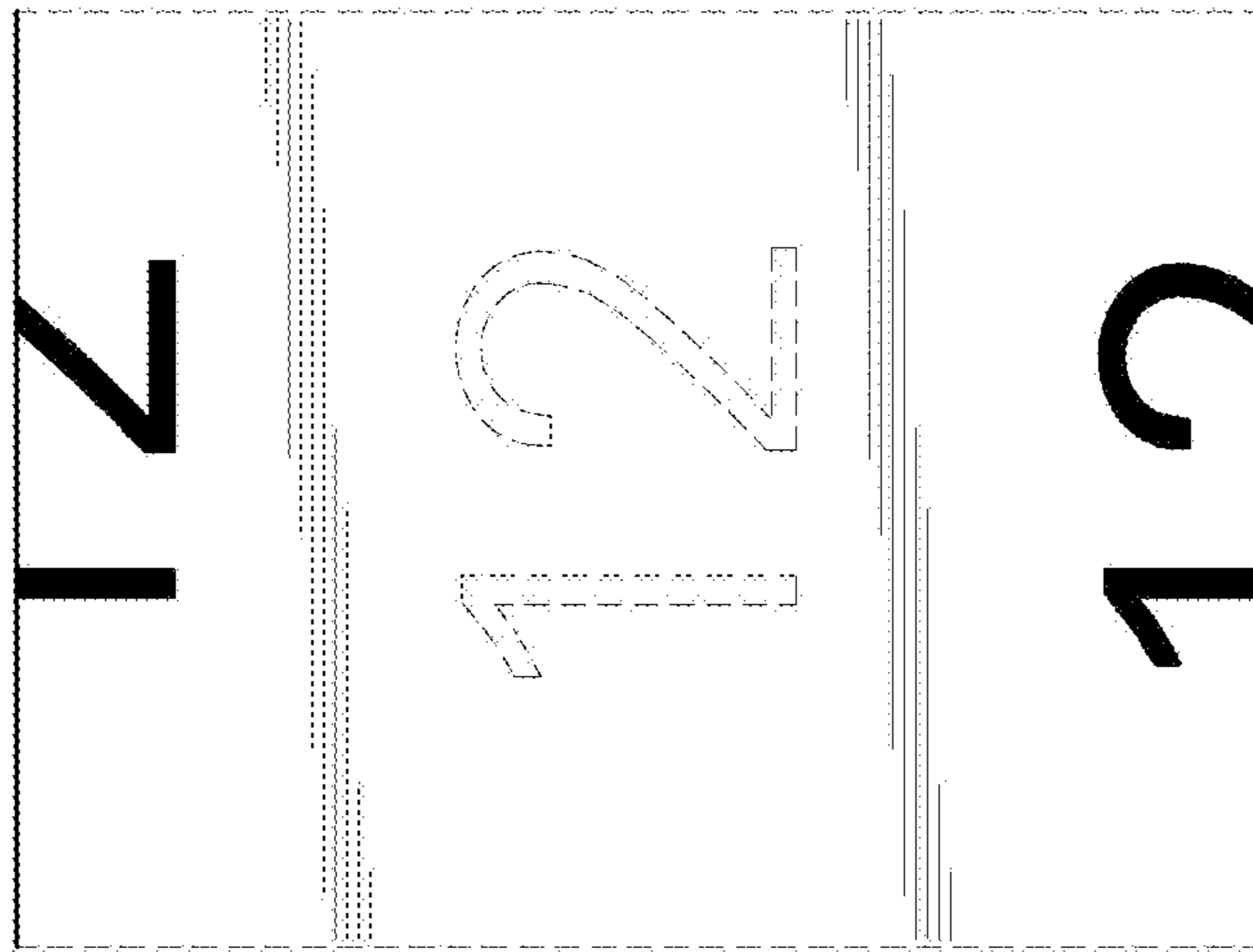


FIG. 32



FIG. 33

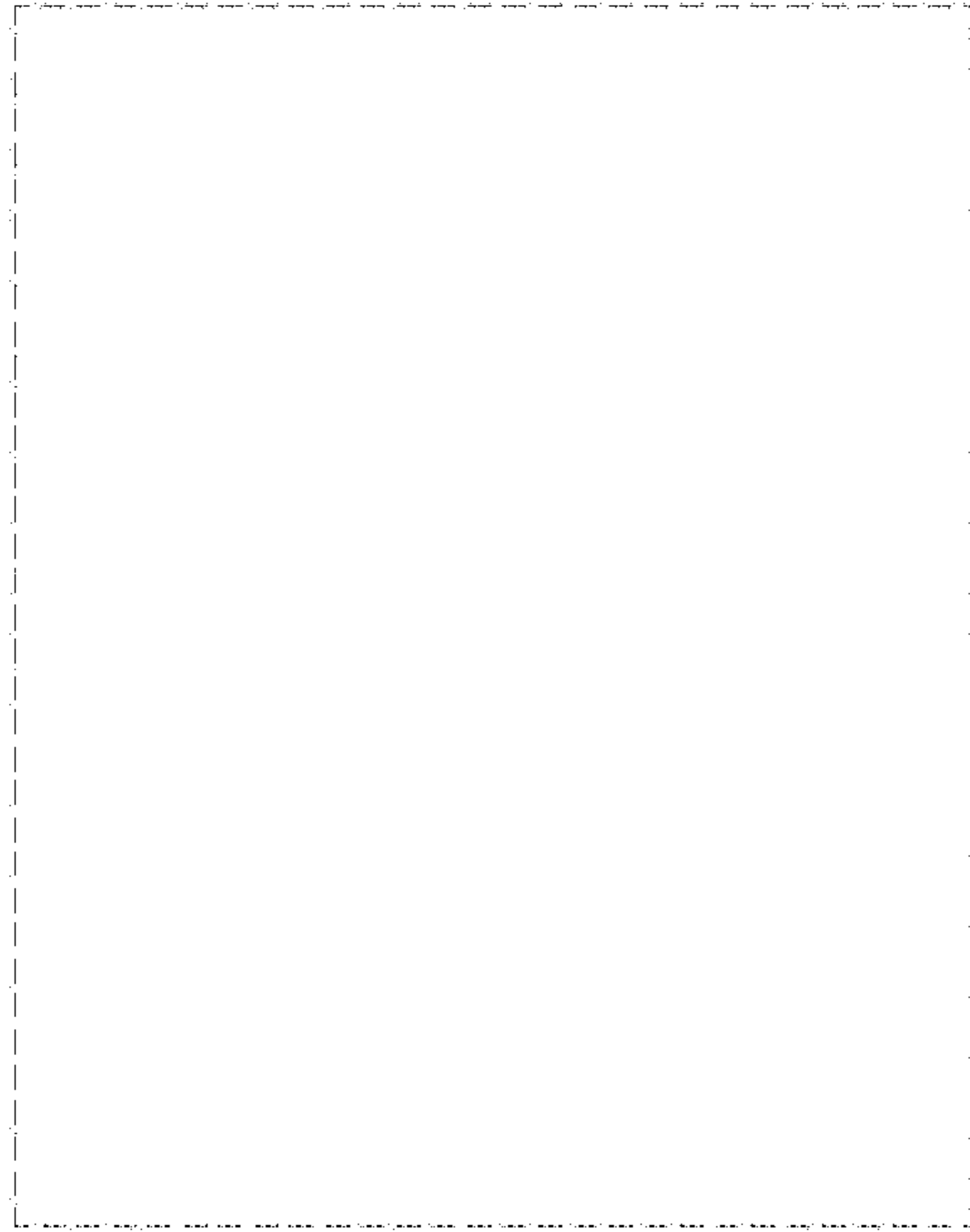


FIG. 35

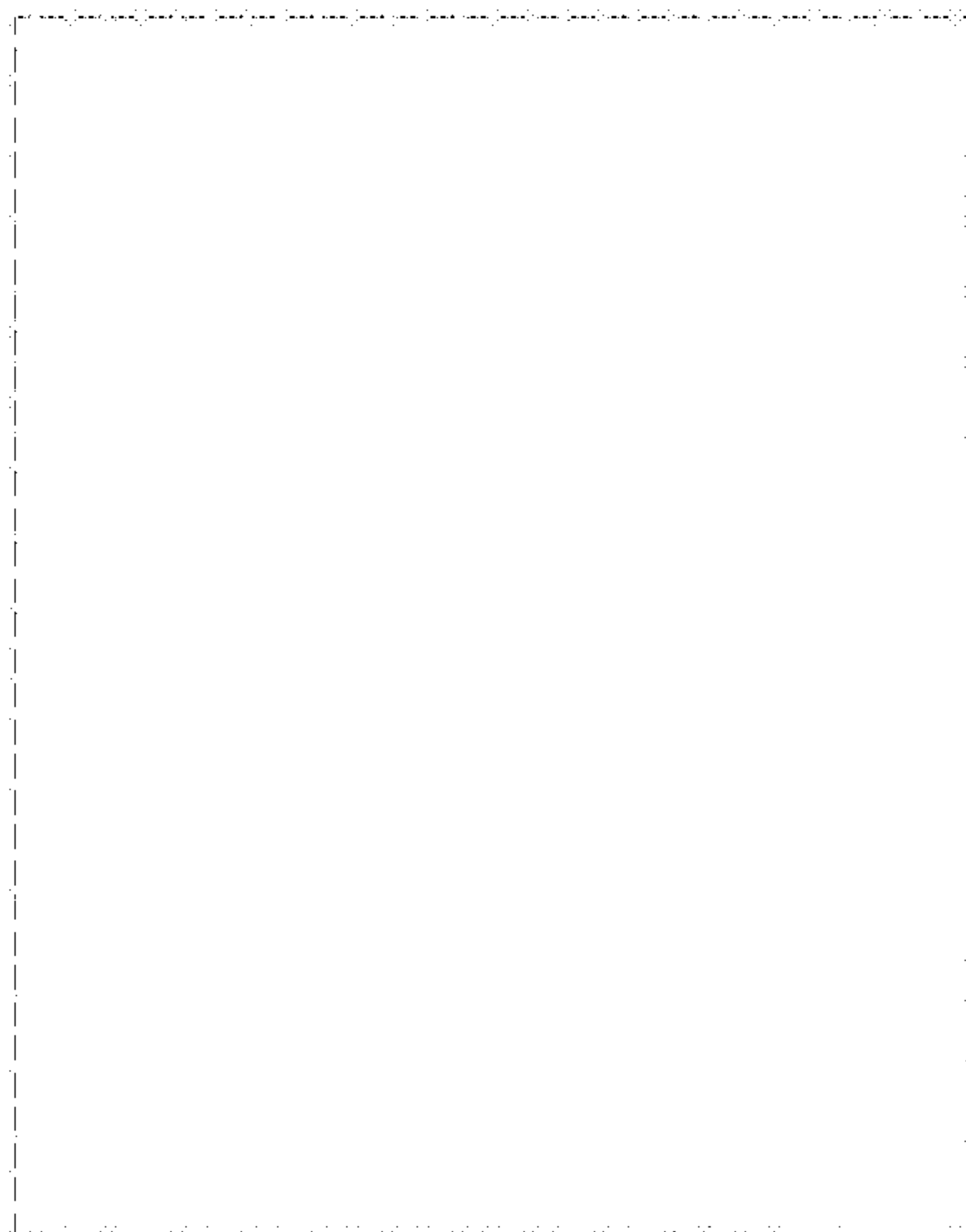


FIG. 34

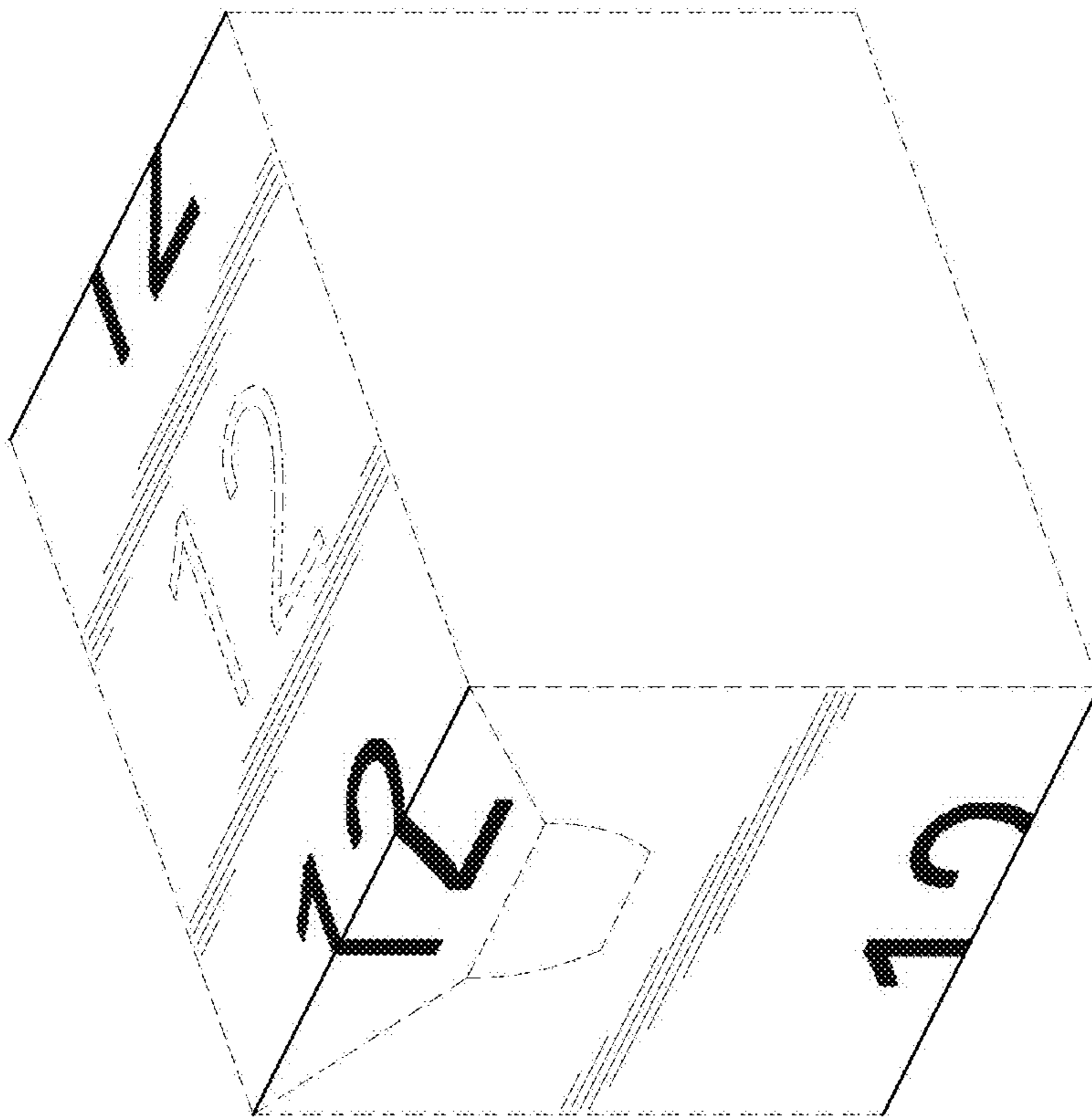


FIG. 36

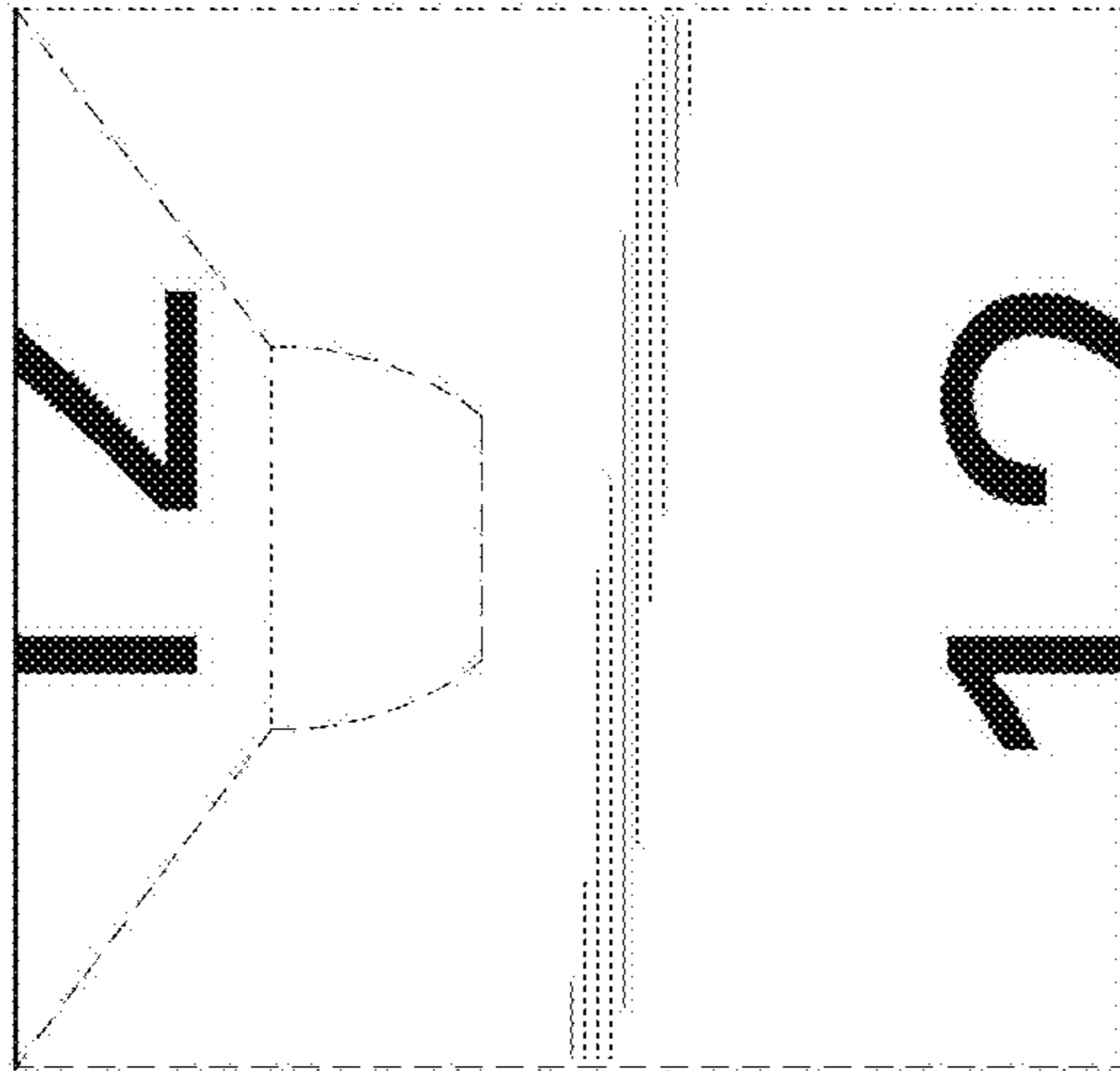


FIG. 37



FIG. 38

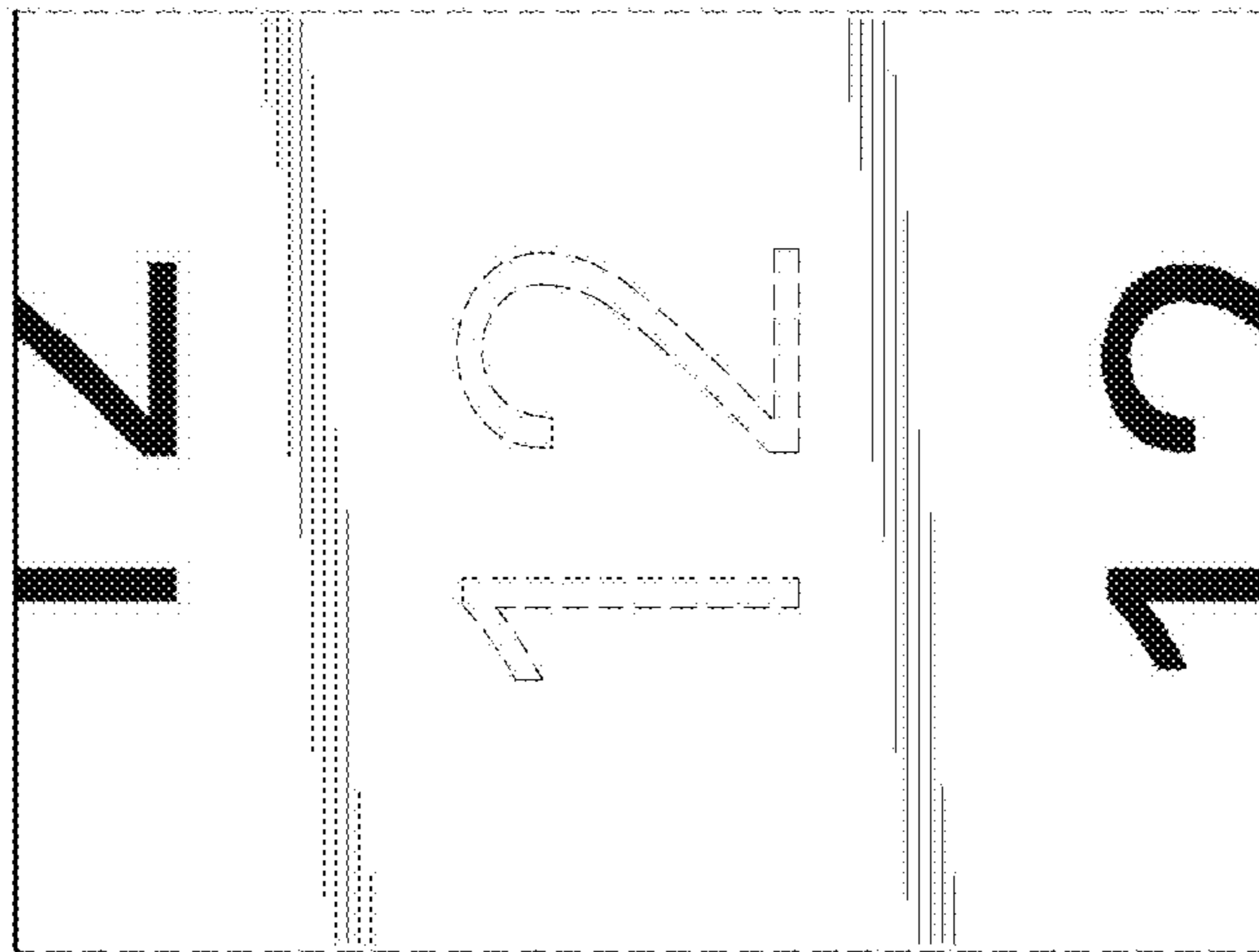


FIG. 39



FIG. 40

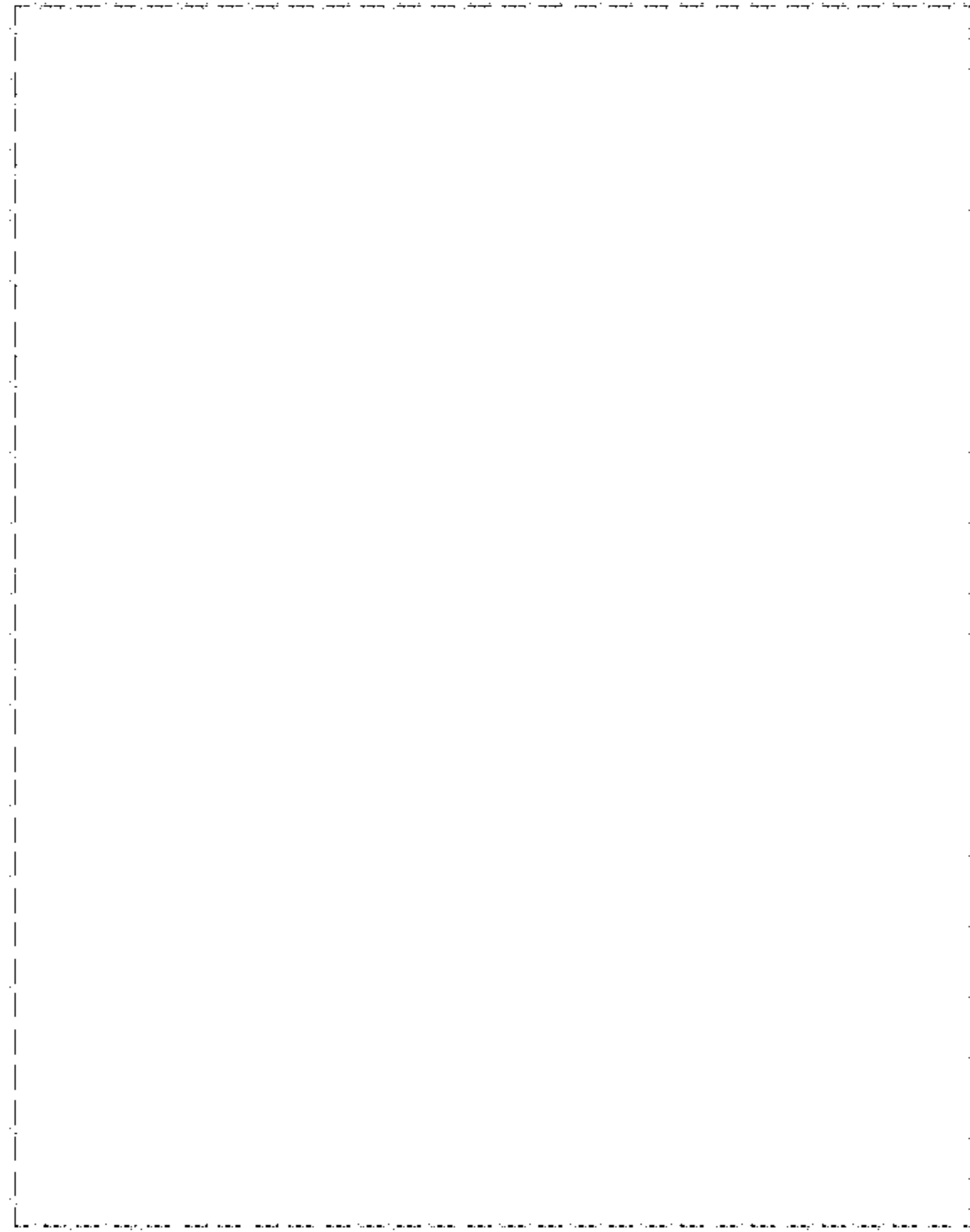


FIG. 42

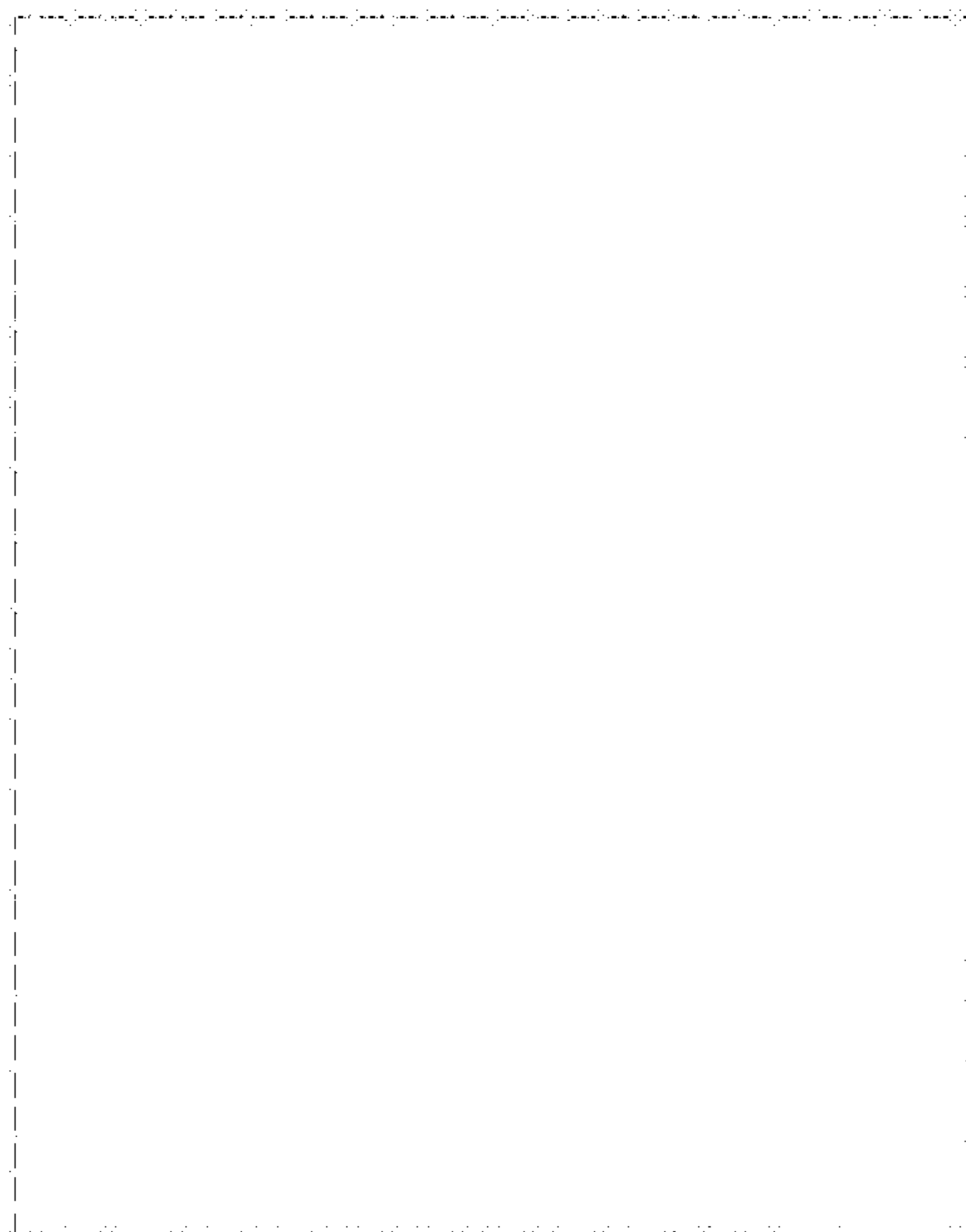


FIG. 41

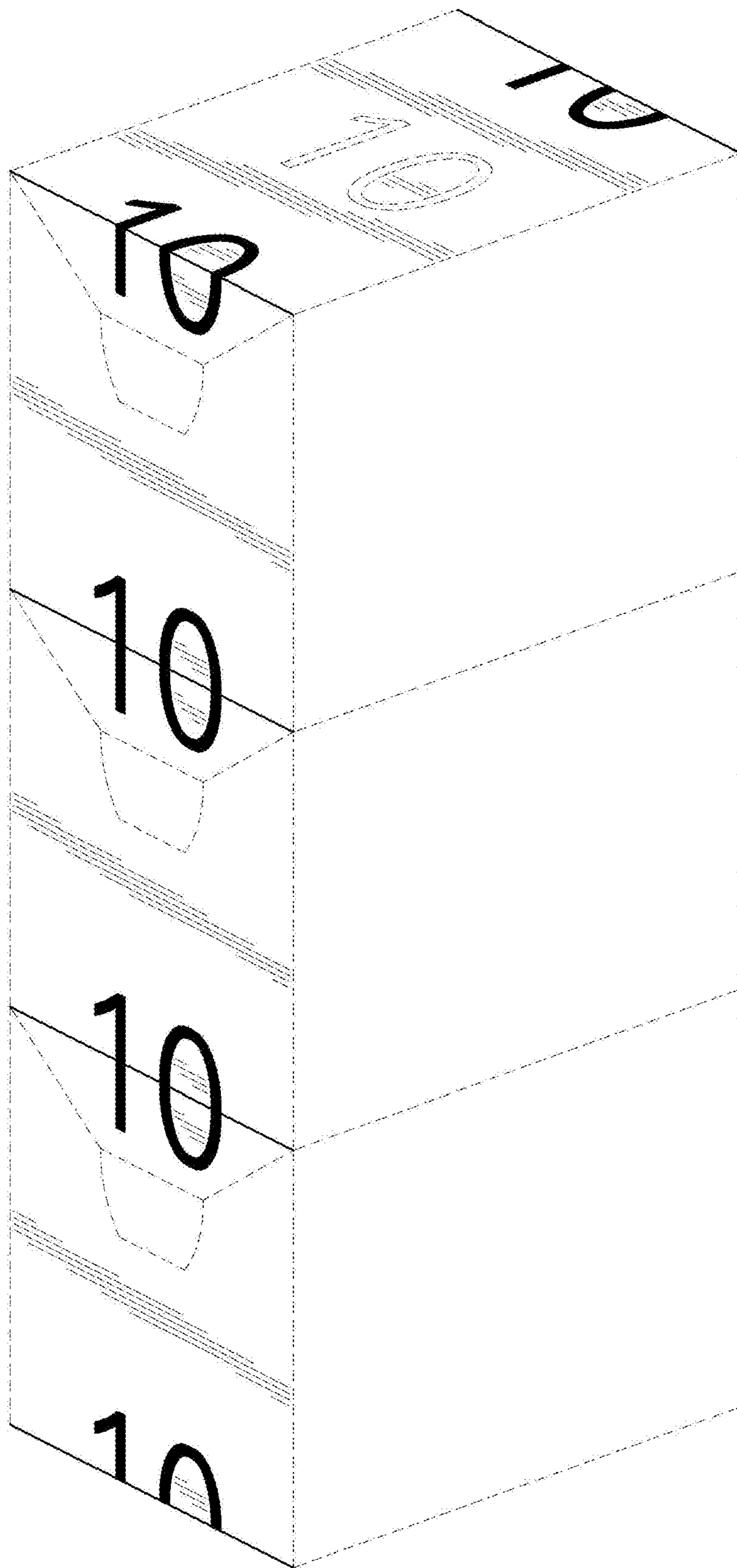


FIG. 43

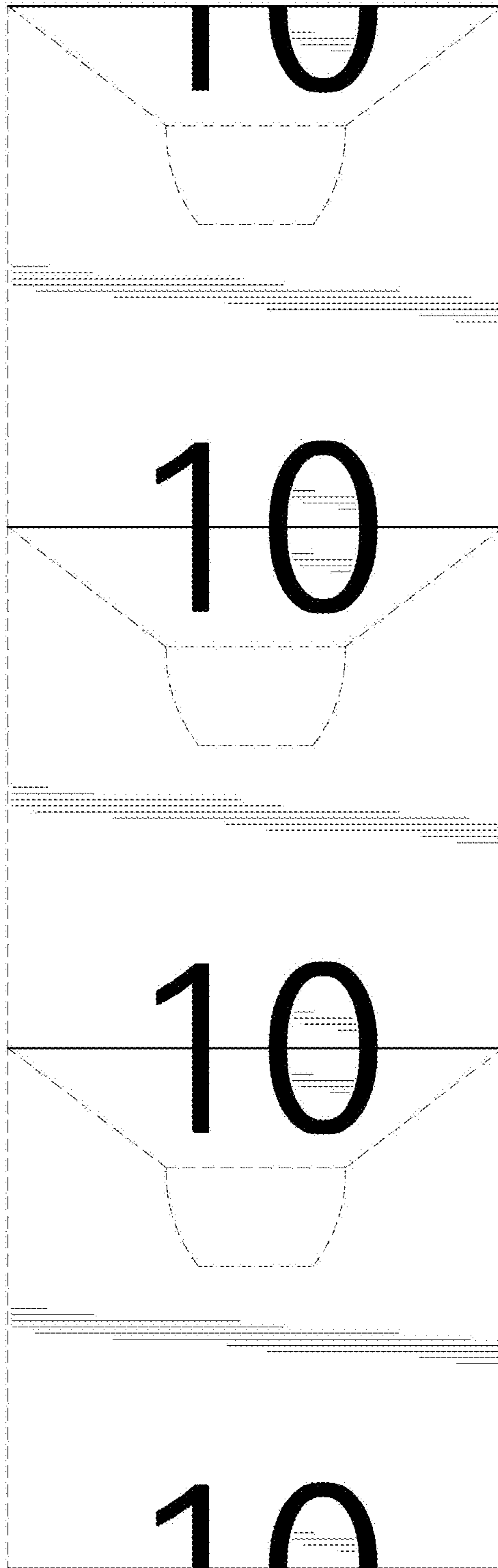


FIG. 44

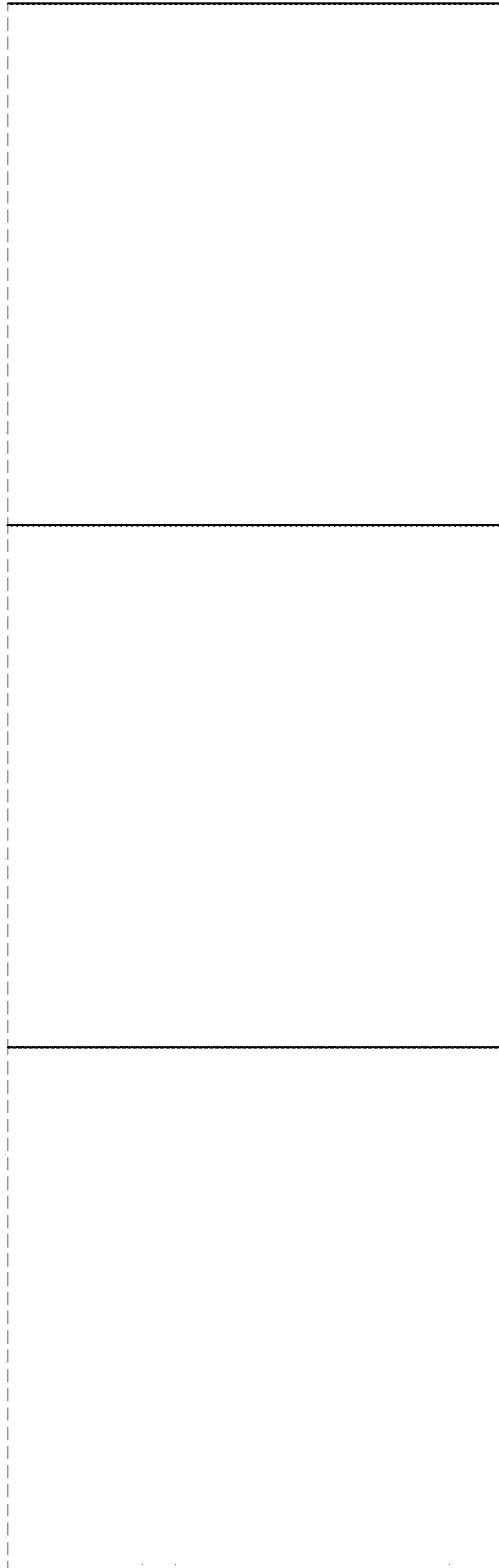


FIG. 45

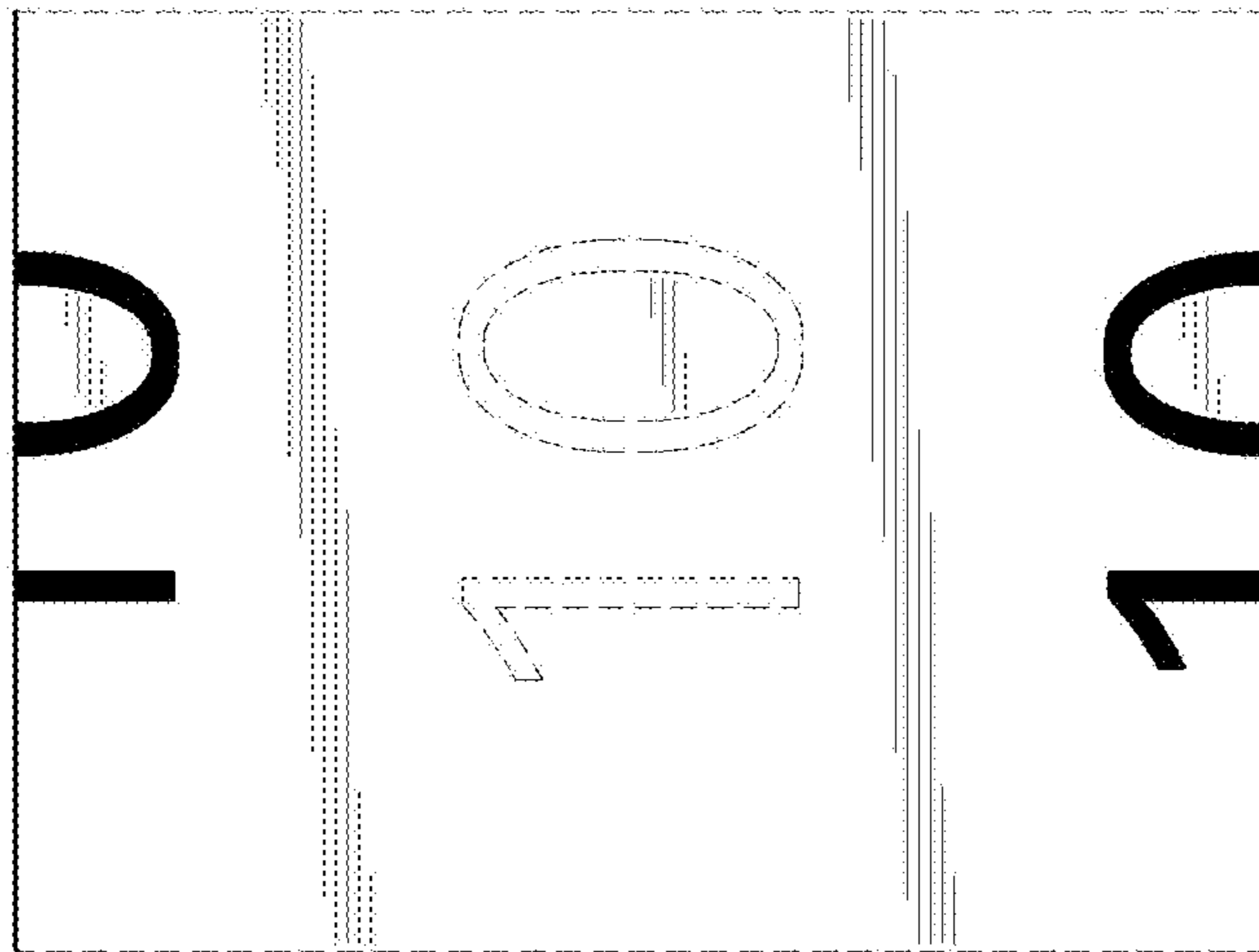


FIG. 46



FIG. 47

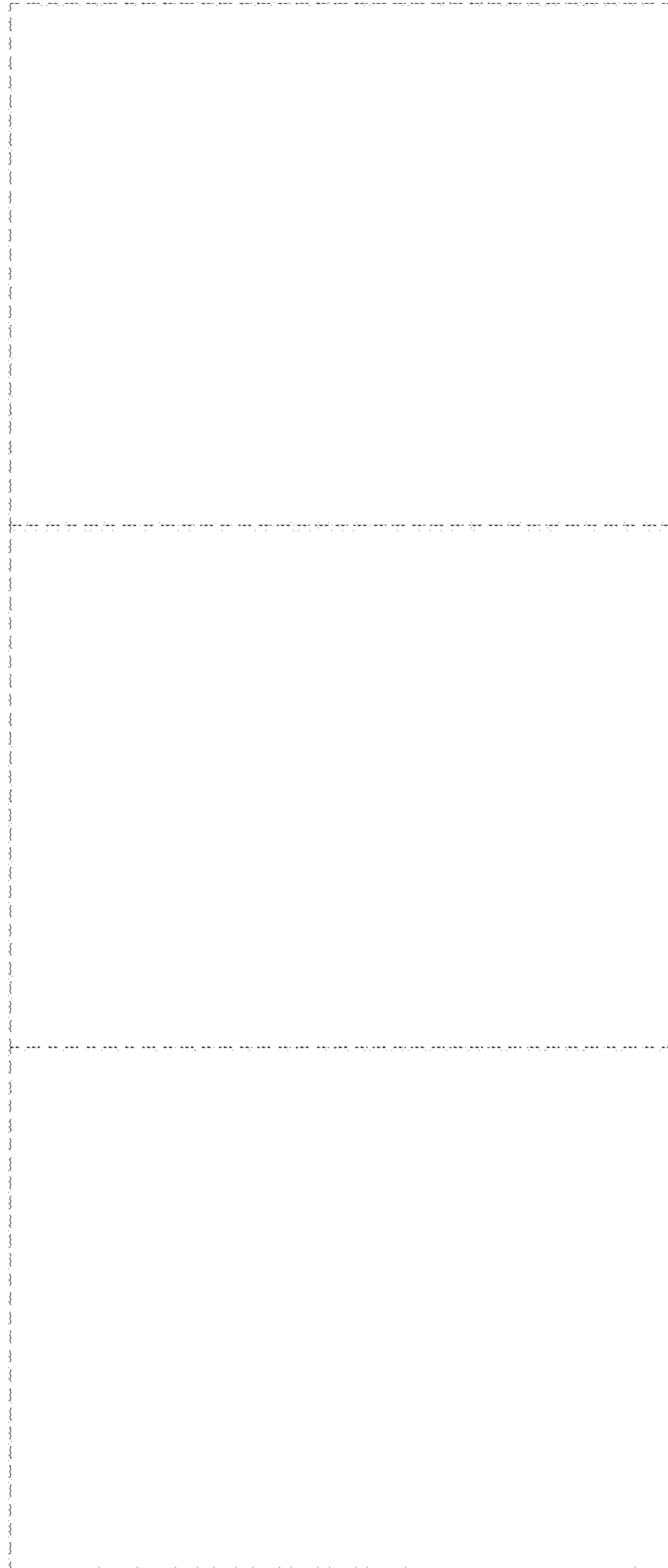


FIG. 48

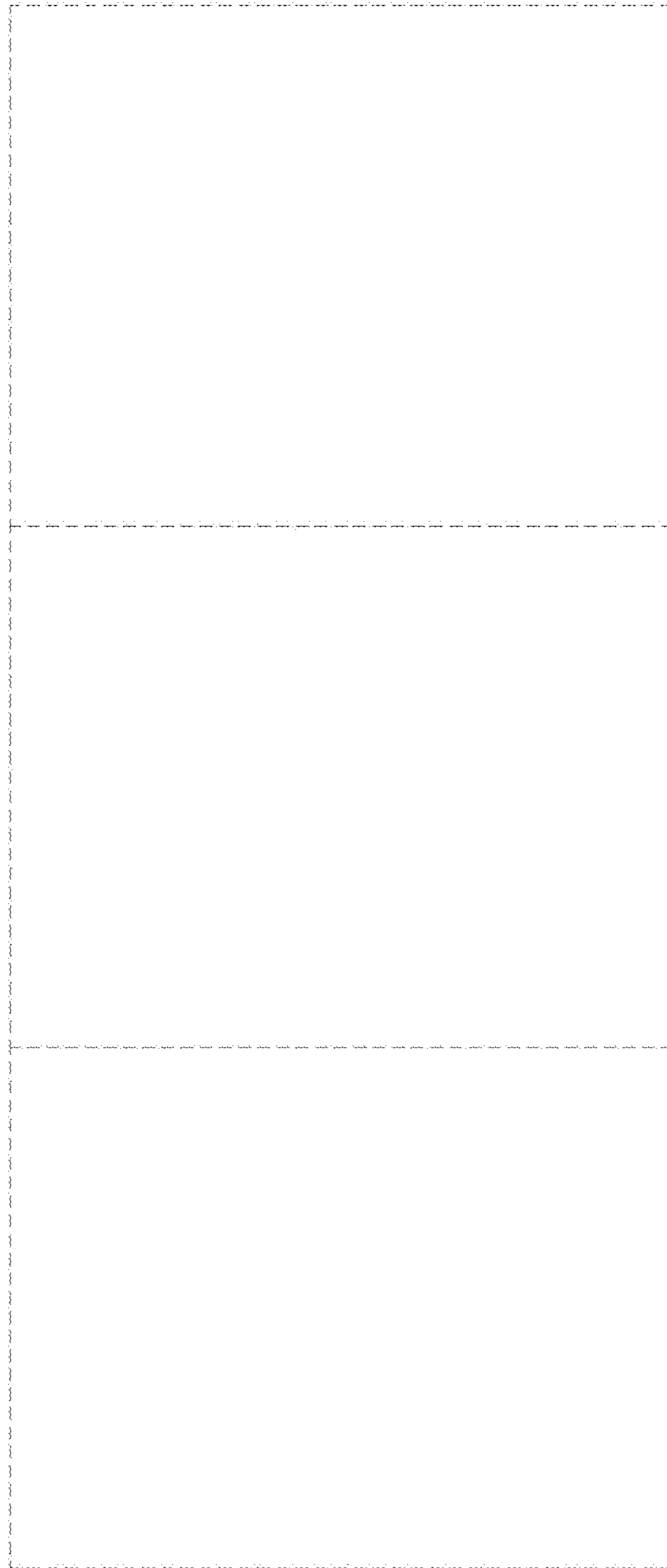


FIG. 49

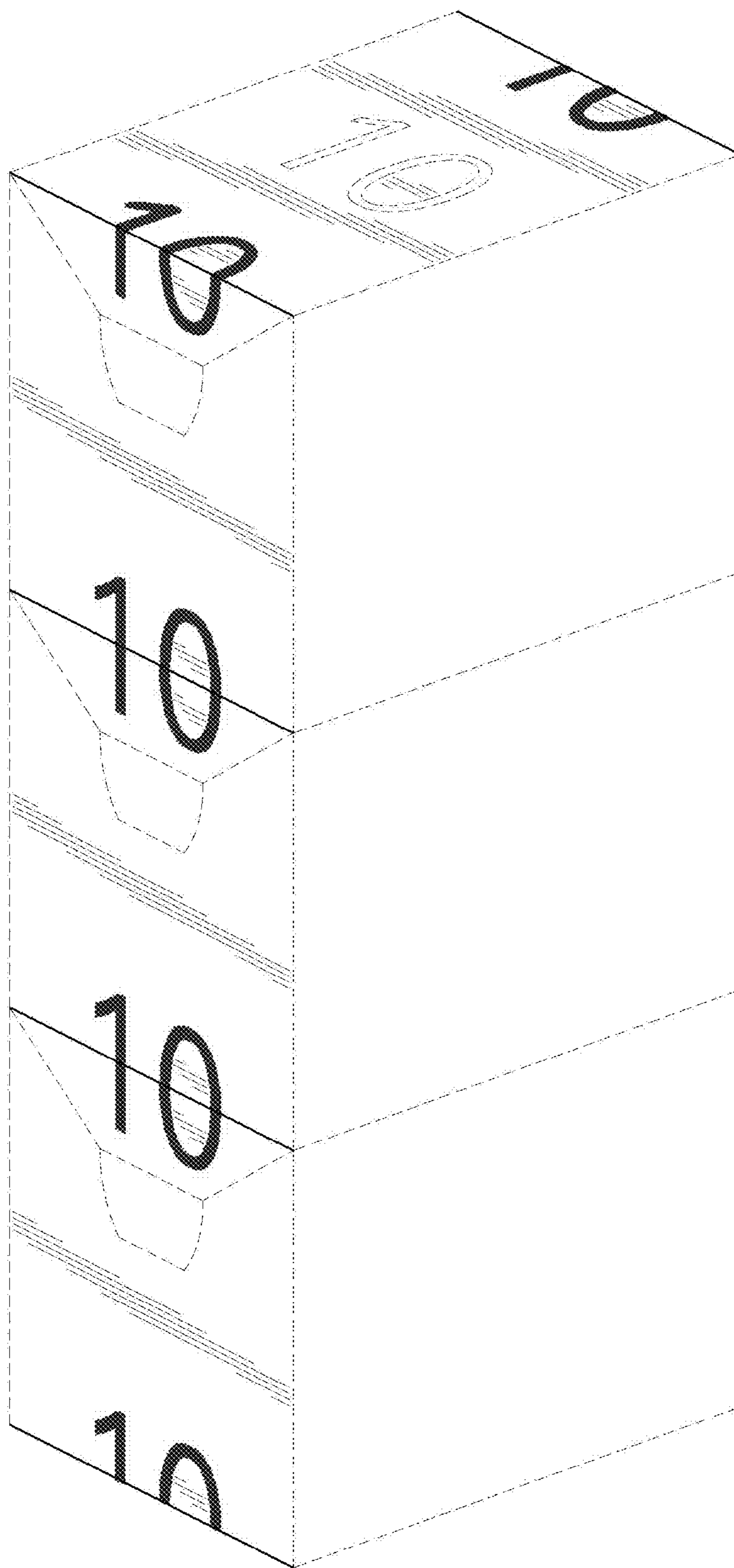


FIG. 50

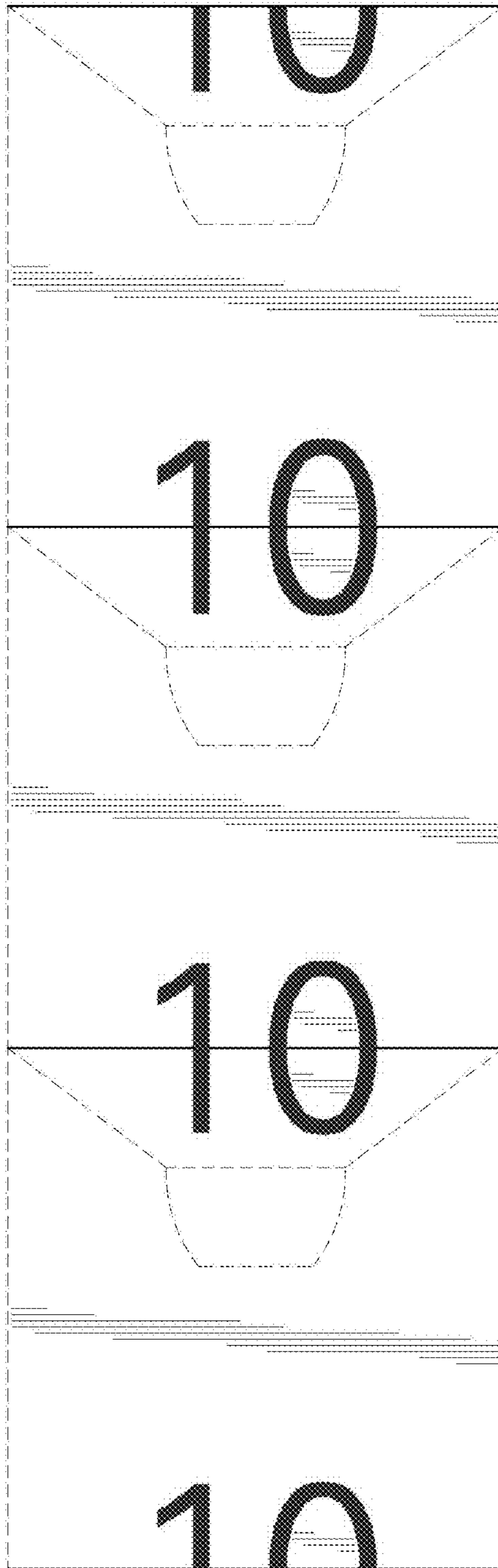


FIG. 51

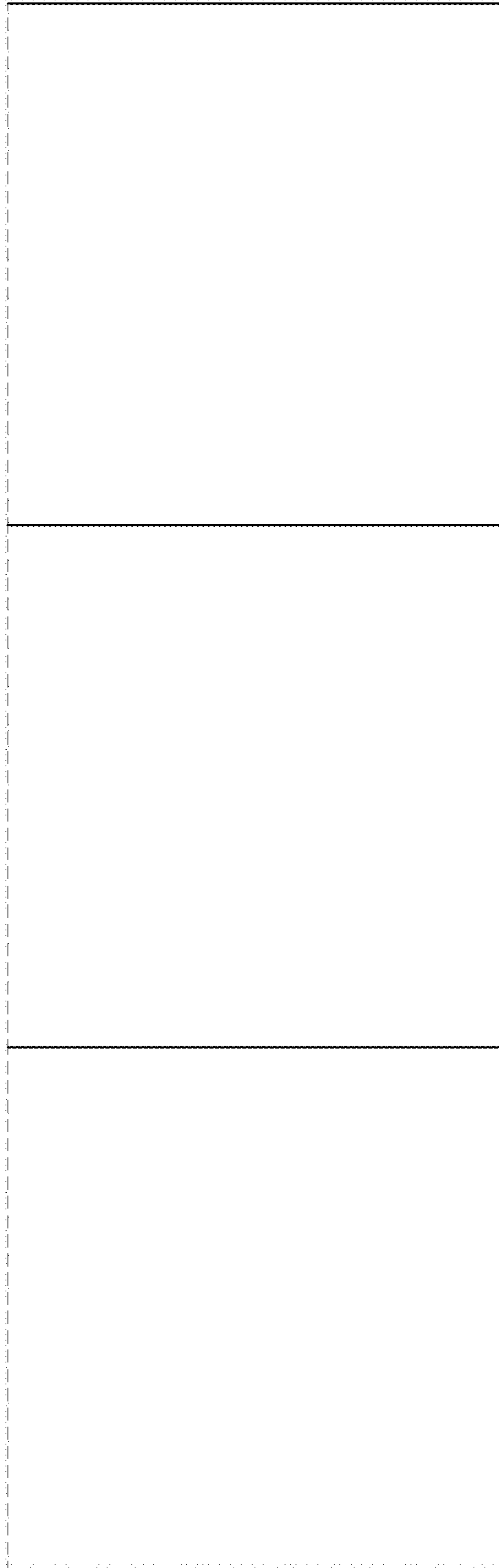


FIG. 52

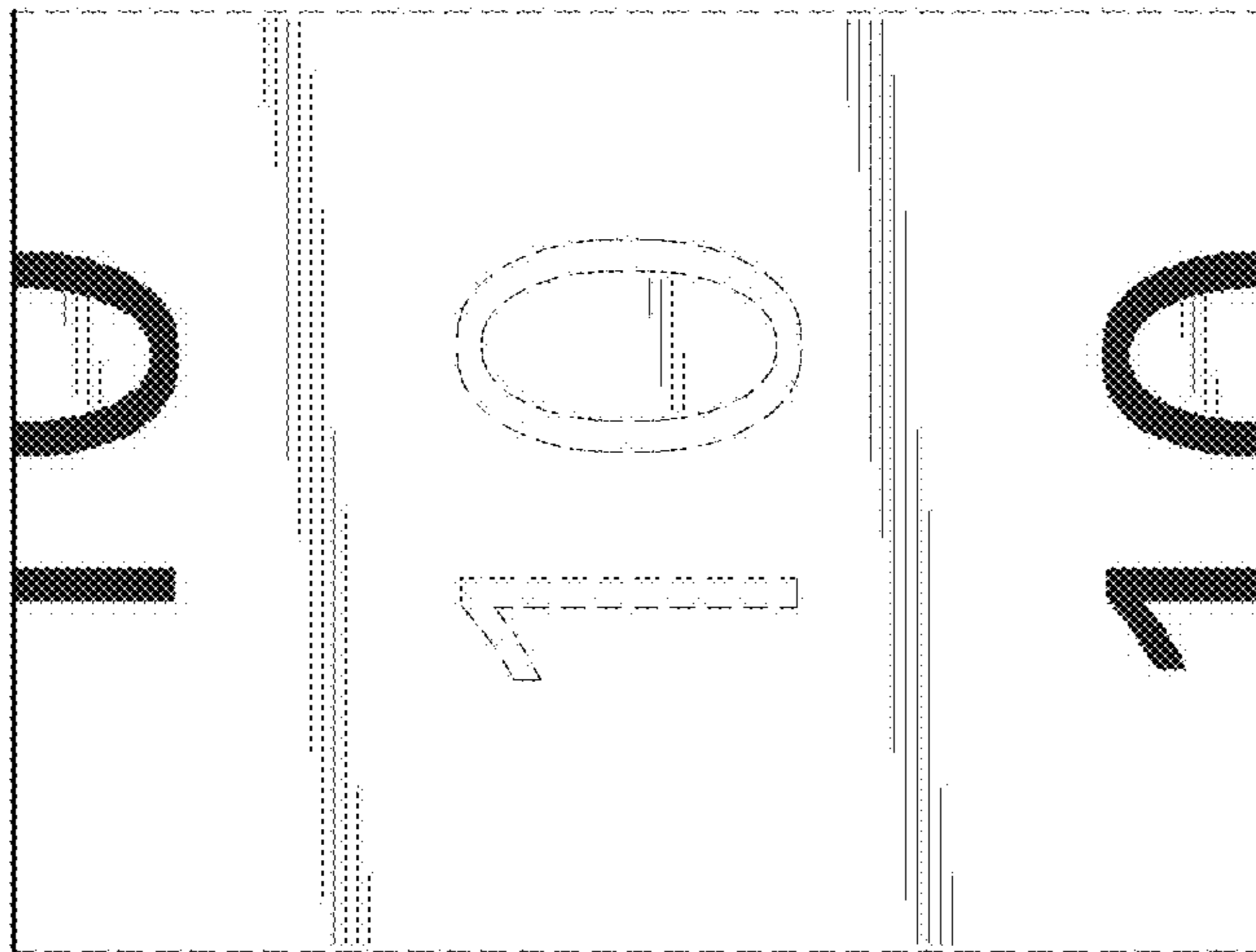


FIG. 53



FIG. 54

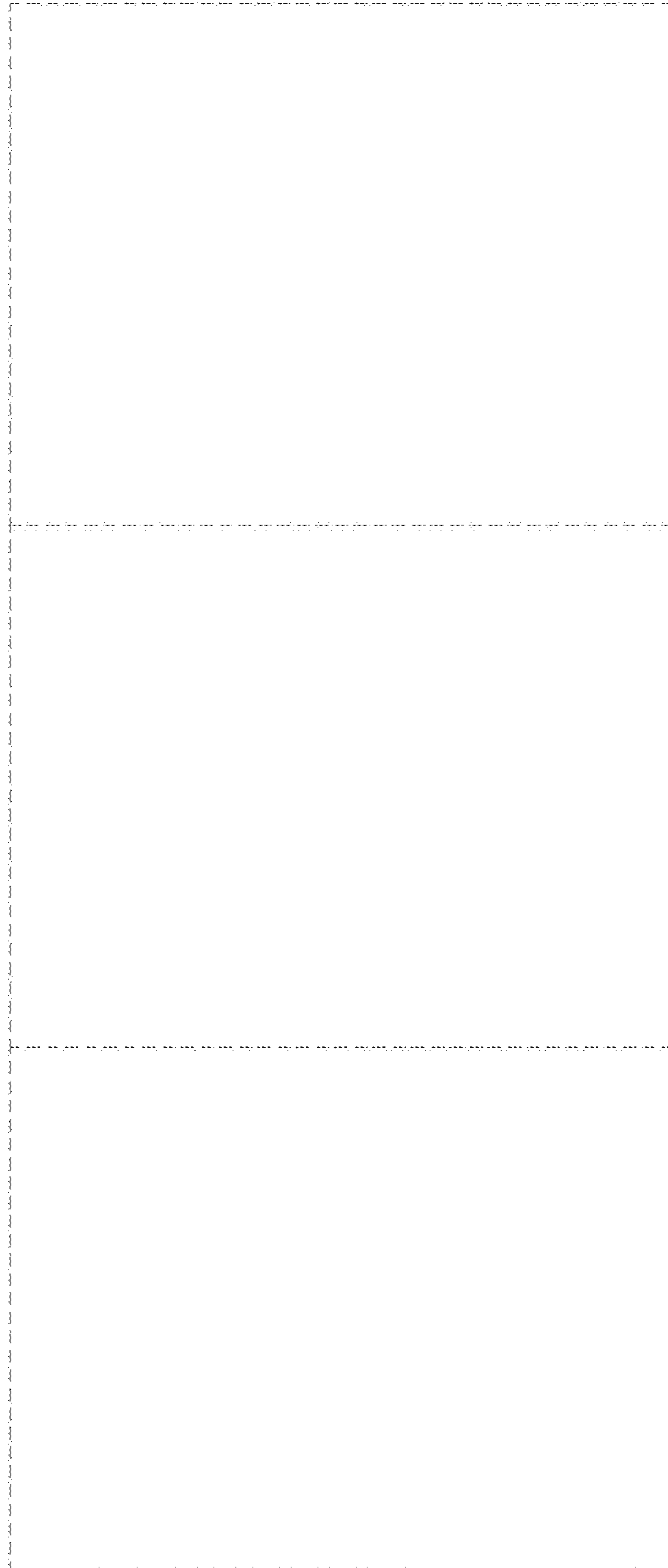


FIG. 55

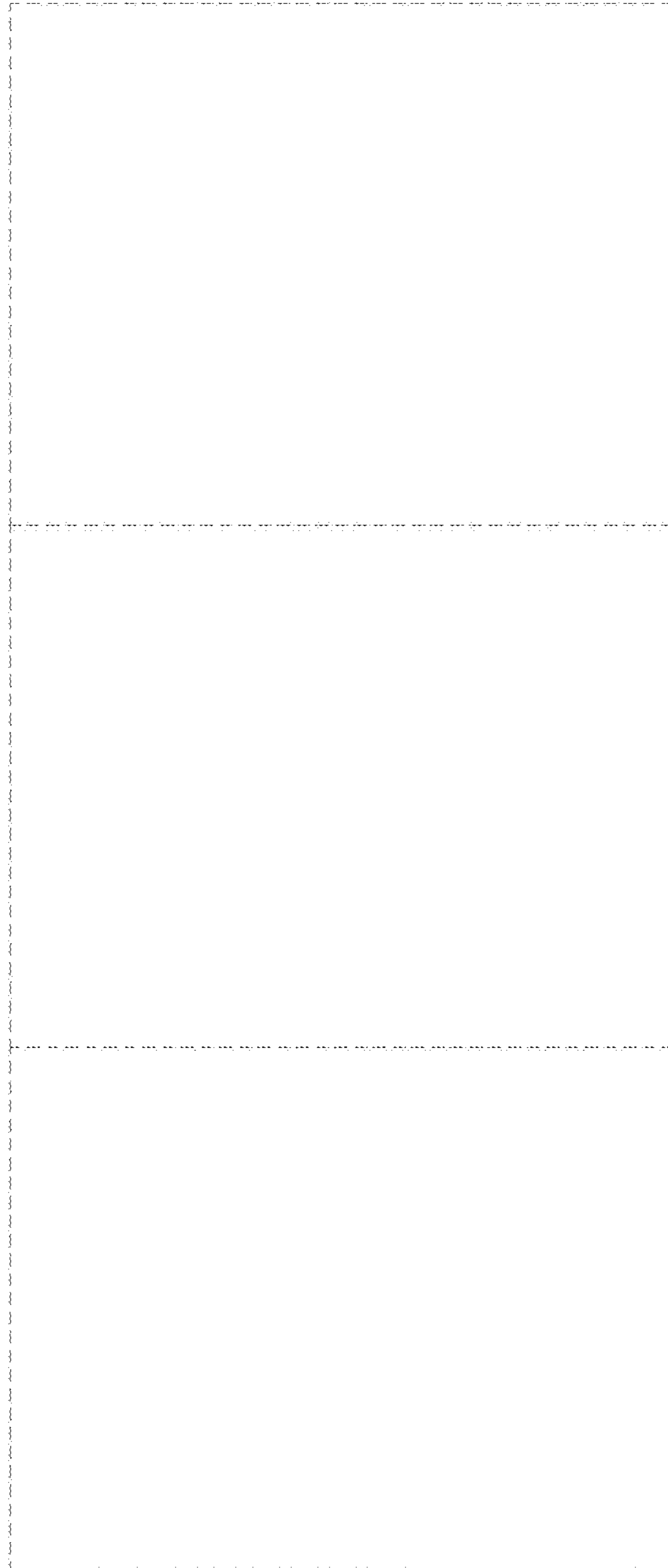


FIG. 56