



US00D883777S

(12) **United States Design Patent**
Yu

(10) **Patent No.:** **US D883,777 S**
(45) **Date of Patent:** **** May 12, 2020**

- (54) **BALL PIN**
- (71) Applicant: **Wan-Sheng Yu**, Taipei (TW)
- (72) Inventor: **Wan-Sheng Yu**, Taipei (TW)
- (**) Term: **15 Years**
- (21) Appl. No.: **29/693,122**
- (22) Filed: **May 31, 2019**

Related U.S. Application Data

- (62) Division of application No. 29/629,538, filed on Dec. 13, 2017, now Pat. No. Des. 851,518.
- (51) **LOC (12) Cl.** **08-08**
- (52) **U.S. Cl.**
USPC **D8/387**; D15/7
- (58) **Field of Classification Search**
USPC D10/46; D8/349, 354, 387, 391, 393,
D8/388, 499; D24/112, 127, 128, 130;
D21/698, 781, 788; D15/7
CPC ... A63B 41/12; A63B 39/04; B29L 2031/759;
B29L 2031/7544; Y10T 137/3584
See application file for complete search history.

(56) **References Cited**

U.S. PATENT DOCUMENTS

- 2,233,096 A * 2/1941 Goldsmith F16K 15/202
137/223
- 3,007,483 A * 11/1961 Keefe B60C 29/00
137/223
- D241,413 S * 9/1976 Warren A63B 41/12
D8/393
- 4,043,356 A * 8/1977 Morris A63B 41/12
137/320
- 4,568,081 A * 2/1986 Martin F16K 15/202
473/611
- D343,397 S * 1/1994 Wang D15/7

- D357,313 S * 4/1995 Wortrich F16K 15/202
D24/112
- D399,557 S * 10/1998 Hood F04B 33/005
D24/112
- D497,509 S * 10/2004 Nelson A63B 41/12
D24/108
- D630,733 S * 1/2011 Ahlgren F16K 15/202
D24/130
- D740,328 S * 10/2015 Maw A63B 41/12
D15/7
- D779,056 S * 2/2017 Brannon B60C 29/00
D24/127
- D816,217 S * 4/2018 Naughton D24/130
- D820,671 S * 6/2018 Yu D8/387
- D833,606 S * 11/2018 Giraud D24/130
- D837,974 S * 1/2019 Hannon D24/112
- 2003/0004496 A1 * 1/2003 Tanghoj A61M 25/0009
604/544
- 2004/0159350 A1 * 8/2004 Lai F16K 15/202
137/223
- 2008/0038119 A1 * 2/2008 Kan F04B 33/005
417/63

(Continued)

Primary Examiner — Antoine Duval Davis

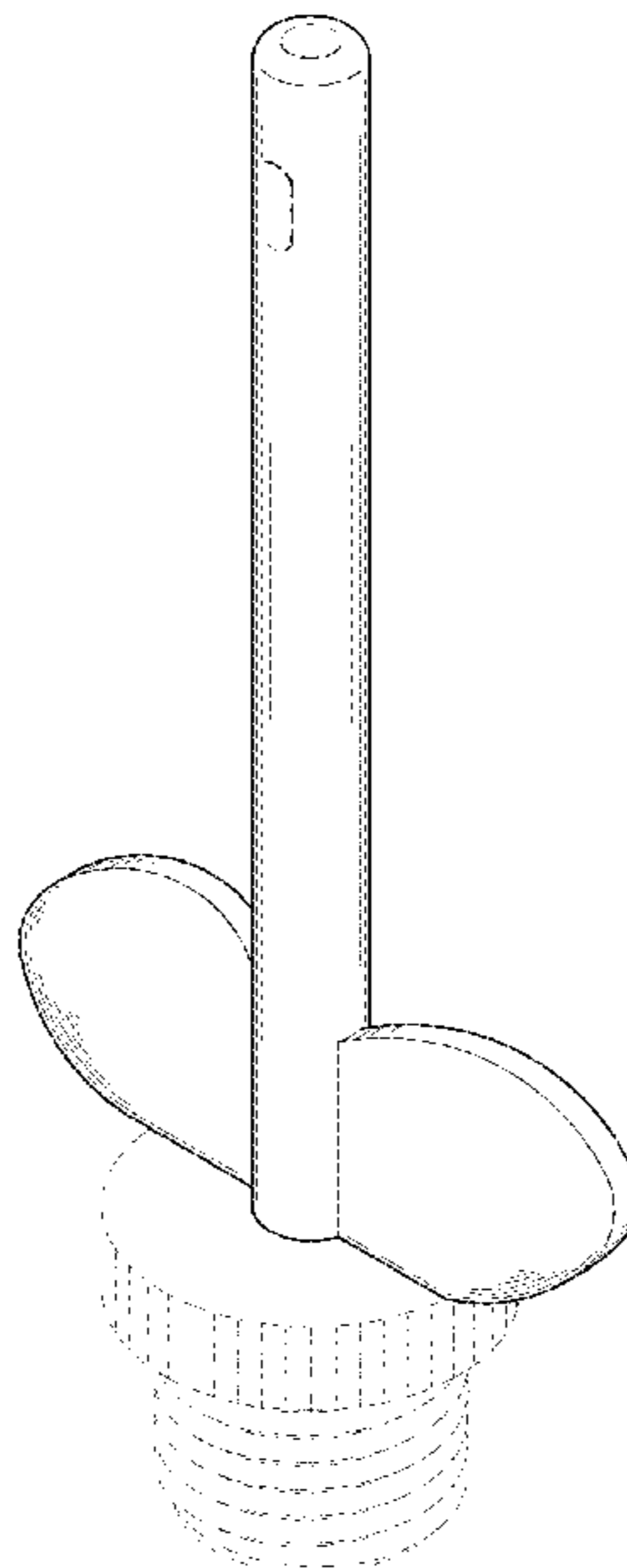
(57) **CLAIM**

The ornamental design for a ball pin, as shown and described.

DESCRIPTION

FIG. 1 is a perspective view of a ball pin according to my new design;
 FIG. 2 is a front elevation view thereof;
 FIG. 3 is a rear elevation view thereof;
 FIG. 4 is a left side elevation view thereof;
 FIG. 5 is a right side elevation view thereof;
 FIG. 6 is a top plan view thereof; and,
 FIG. 7 is a bottom plan view thereof.
 The portions of the drawings appearing in broken lines show portions of a ball pin that forms no part of the claimed.

1 Claim, 6 Drawing Sheets



(56)

References Cited

U.S. PATENT DOCUMENTS

2010/0167851 A1* 7/2010 Burke A63B 41/00
473/610
2014/0216570 A1* 8/2014 Connors F16K 15/207
137/230
2015/0129084 A1* 5/2015 Maw A63B 41/12
141/329
2018/0008869 A1* 1/2018 Yu A63B 41/12

* cited by examiner

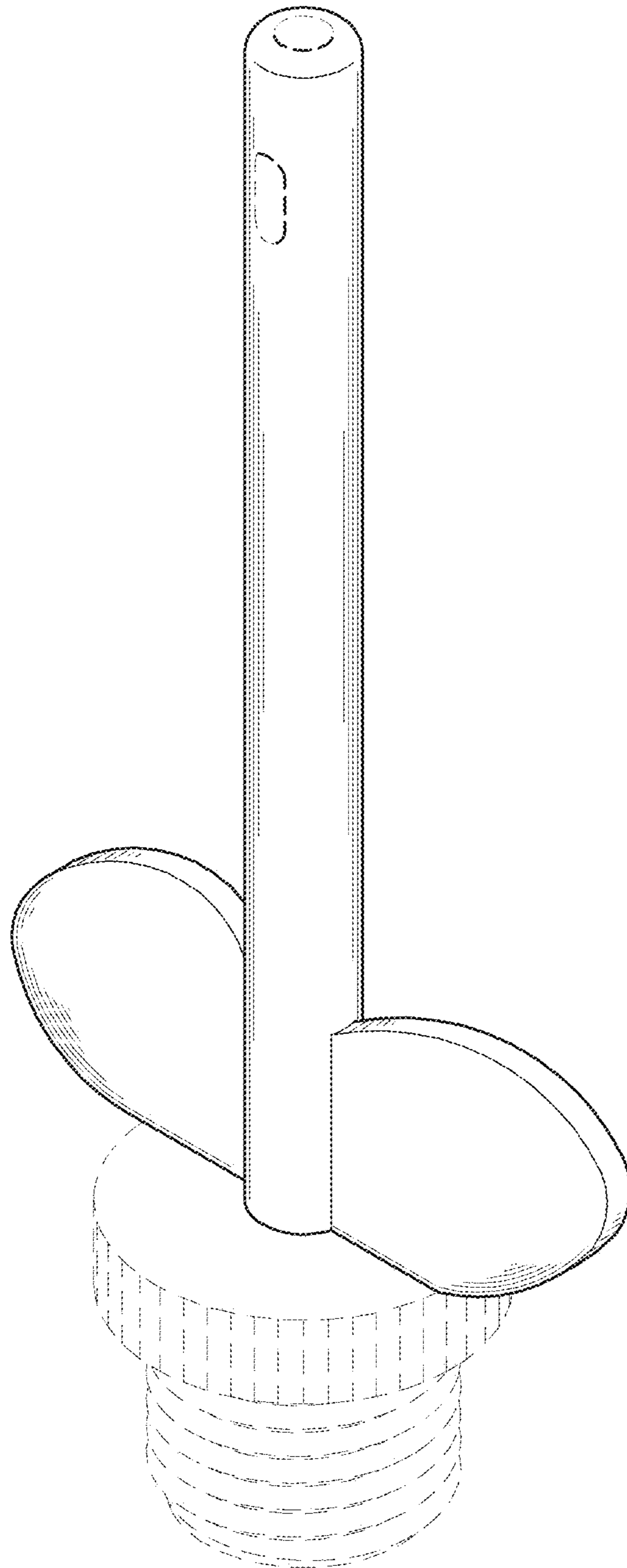


FIG. 1

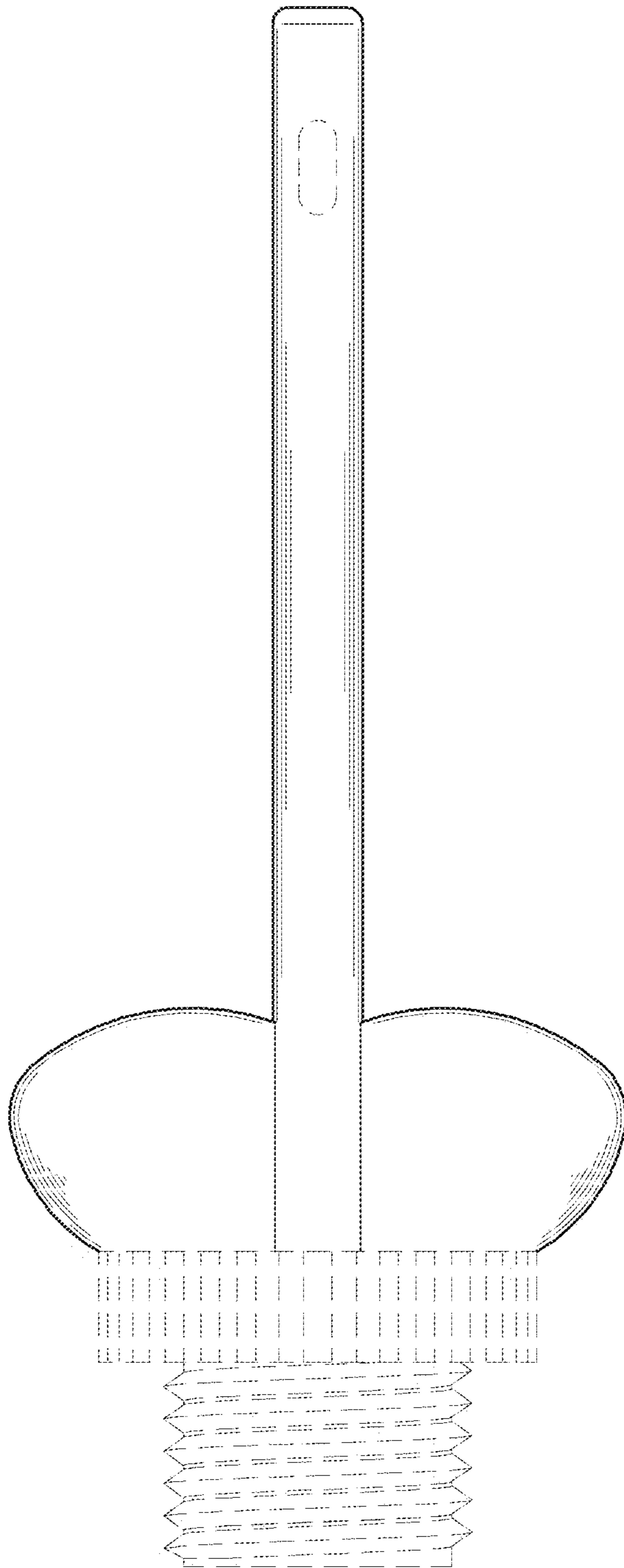


FIG. 2

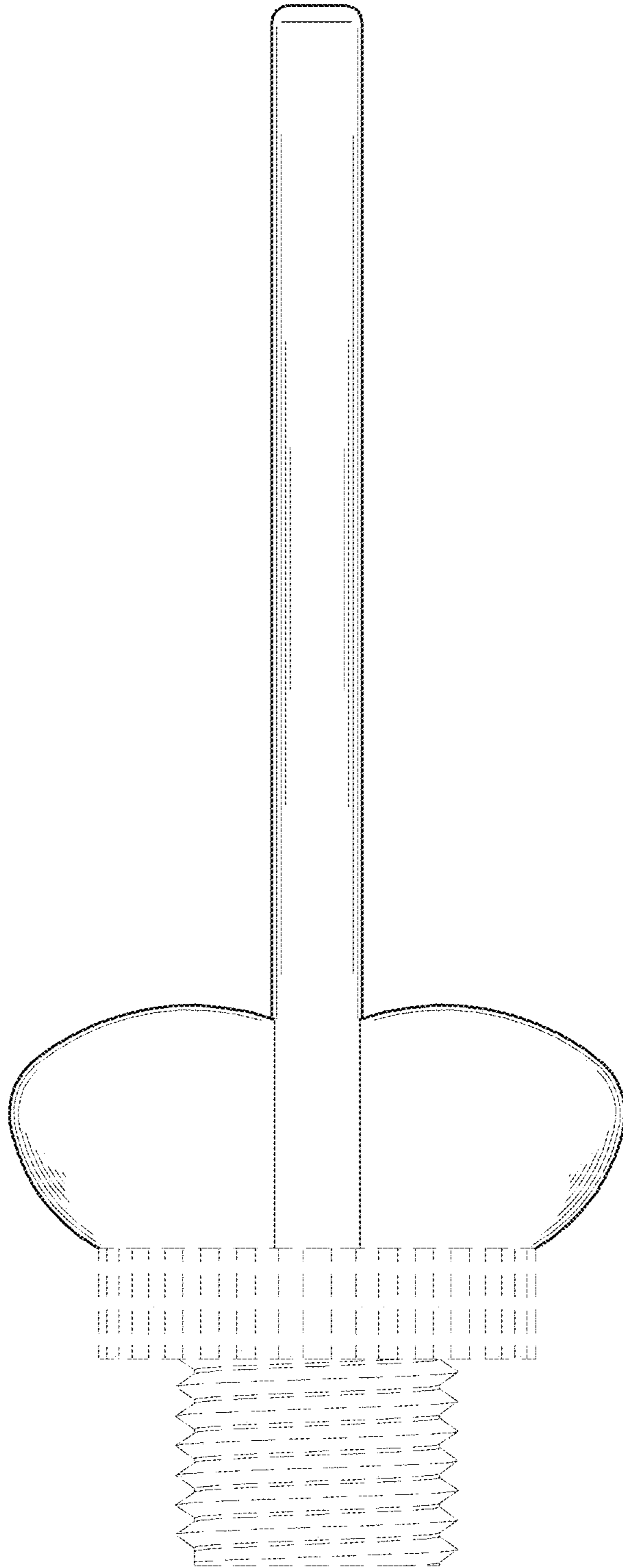


FIG. 3

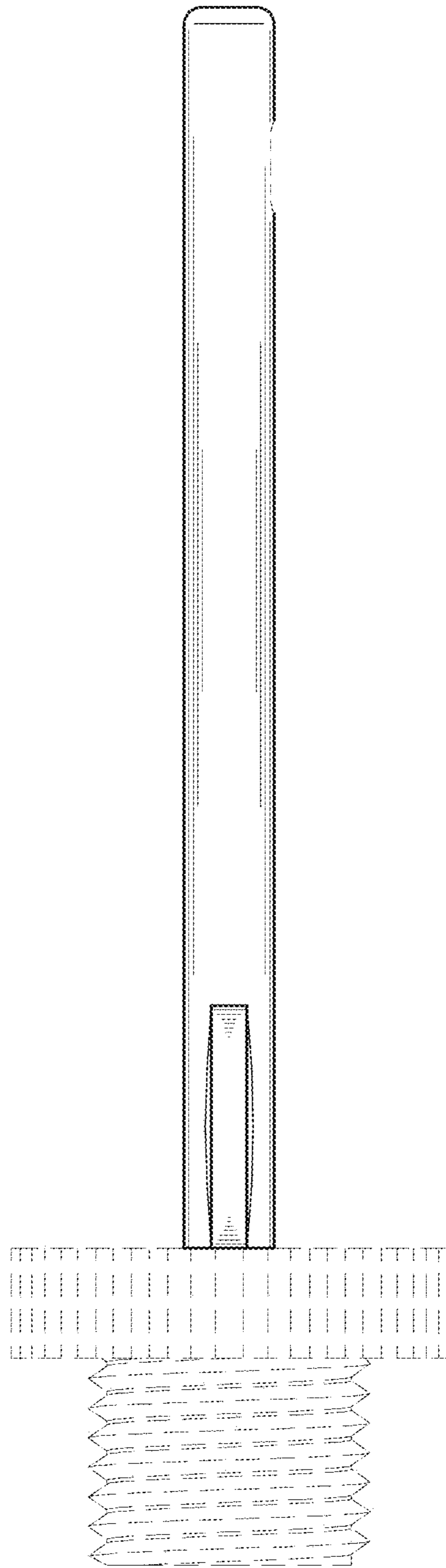


FIG. 4

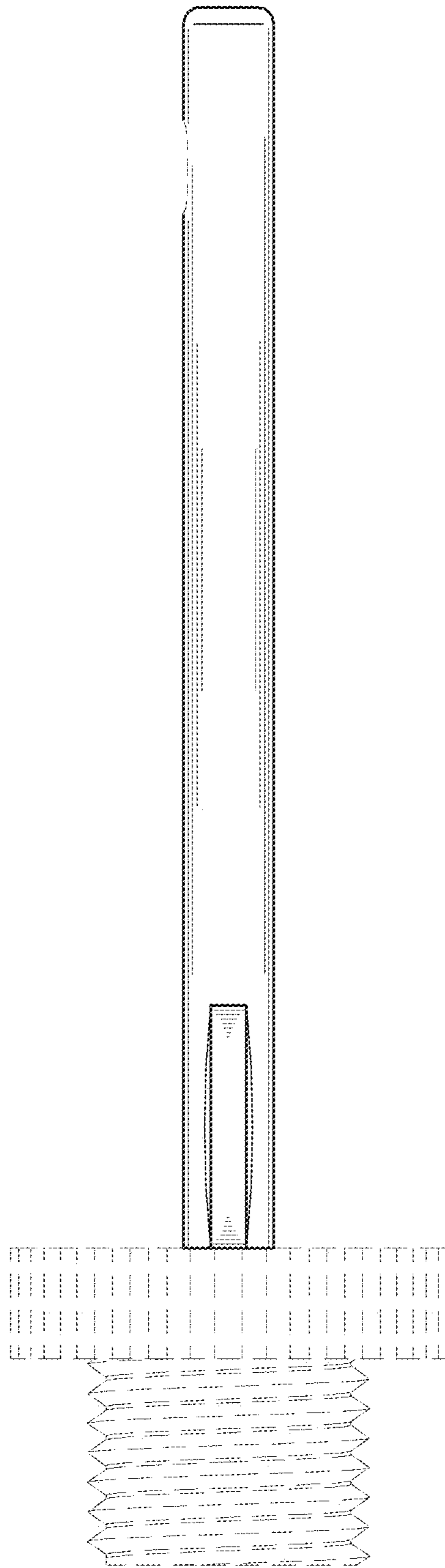


FIG. 5

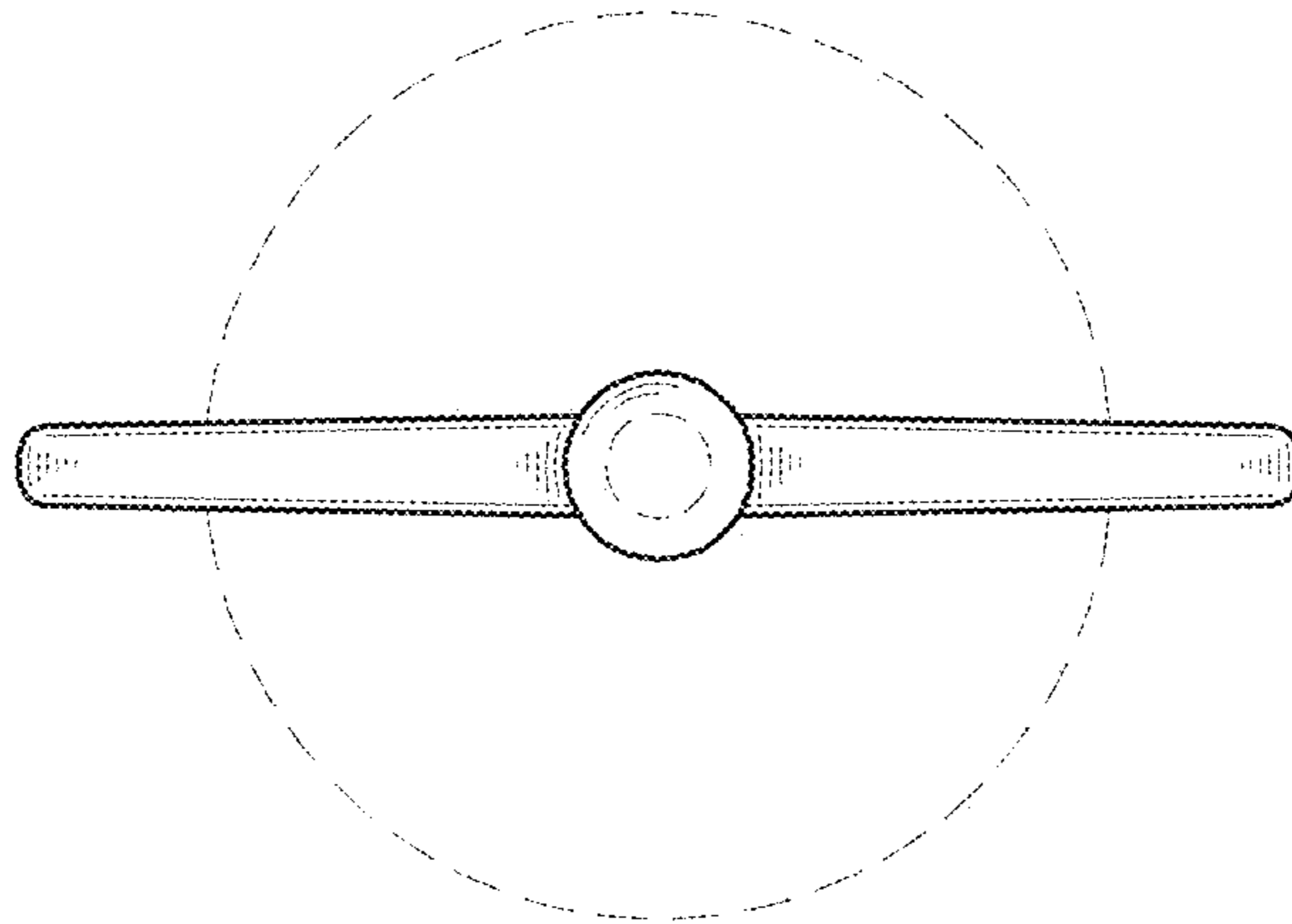


FIG. 6

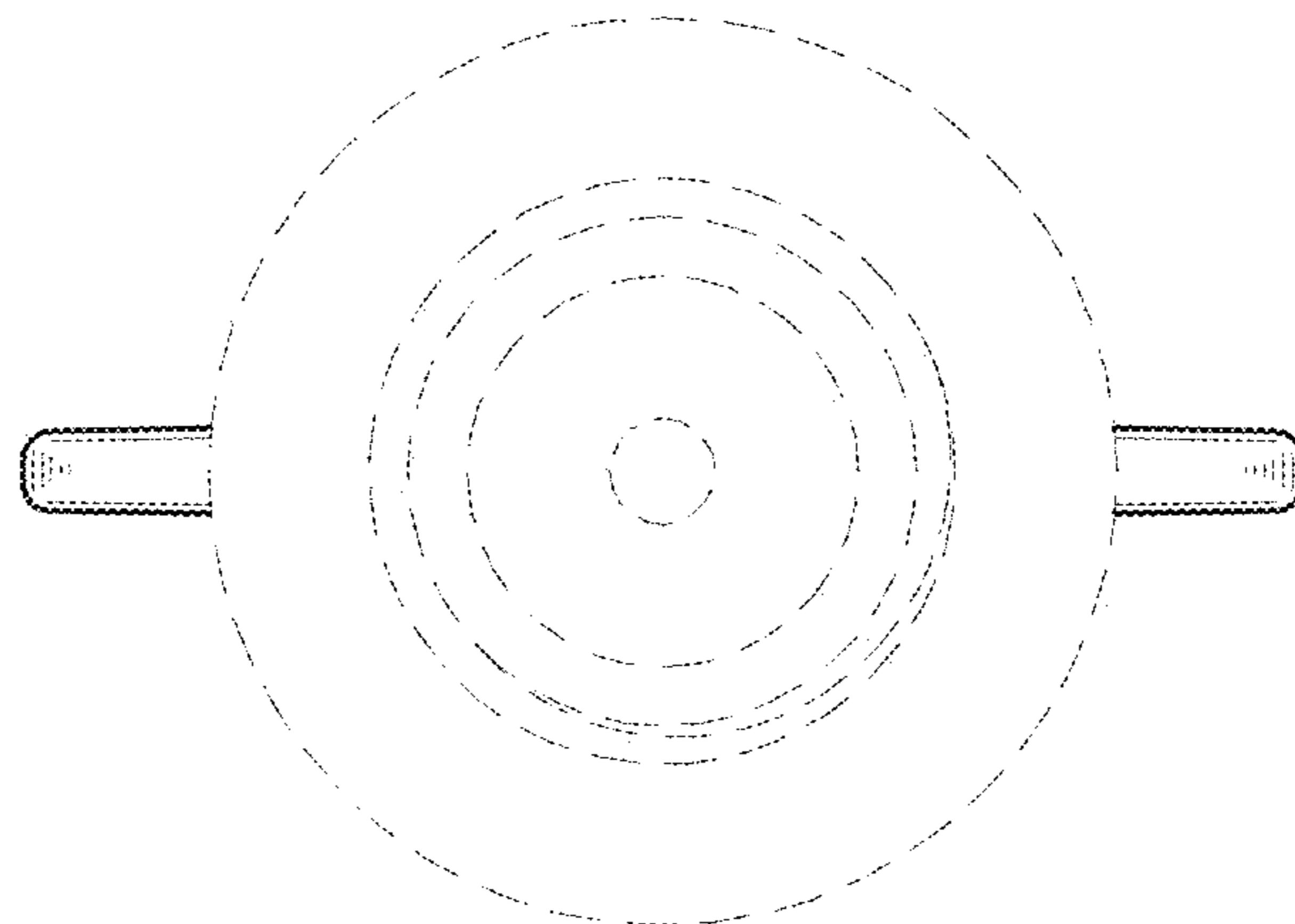


FIG. 7