



US00D883775S

(12) **United States Design Patent** (10) **Patent No.:** **US D883,775 S**
Wojcik et al. (45) **Date of Patent:** **** May 12, 2020**

(54) **ROOFTOP SUPPORT BASE**
(71) Applicants: **Ross Wojcik**, Austin, TX (US); **Dean Revering**, Austin, TX (US)
(72) Inventors: **Ross Wojcik**, Austin, TX (US); **Dean Revering**, Austin, TX (US)
(**) Term: **15 Years**
(21) Appl. No.: **29/684,896**
(22) Filed: **Mar. 25, 2019**
(51) **LOC (12) Cl.** **08-05**
(52) **U.S. Cl.**
USPC **D8/380**
(58) **Field of Classification Search**
USPC D8/349, 354, 355, 380, 382, 383, 394,
D8/74; D25/56, 57, 61, 62, 66, 126, 127,
D25/133, 134
CPC . F16F 15/00; F16L 3/20; F16L 55/035; E04B
1/38; E04D 13/12
See application file for complete search history.

7,441,731 B2 10/2008 Smart et al.
7,661,240 B2 2/2010 Sargent
7,866,093 B2* 1/2011 Krovats F16F 15/00
52/41

(Continued)

Primary Examiner — Keli L Hill
Assistant Examiner — Harold E Blackwell, II
(74) *Attorney, Agent, or Firm* — Kirk A. Buhler; Buhler & Associates Patenting

(57) **CLAIM**

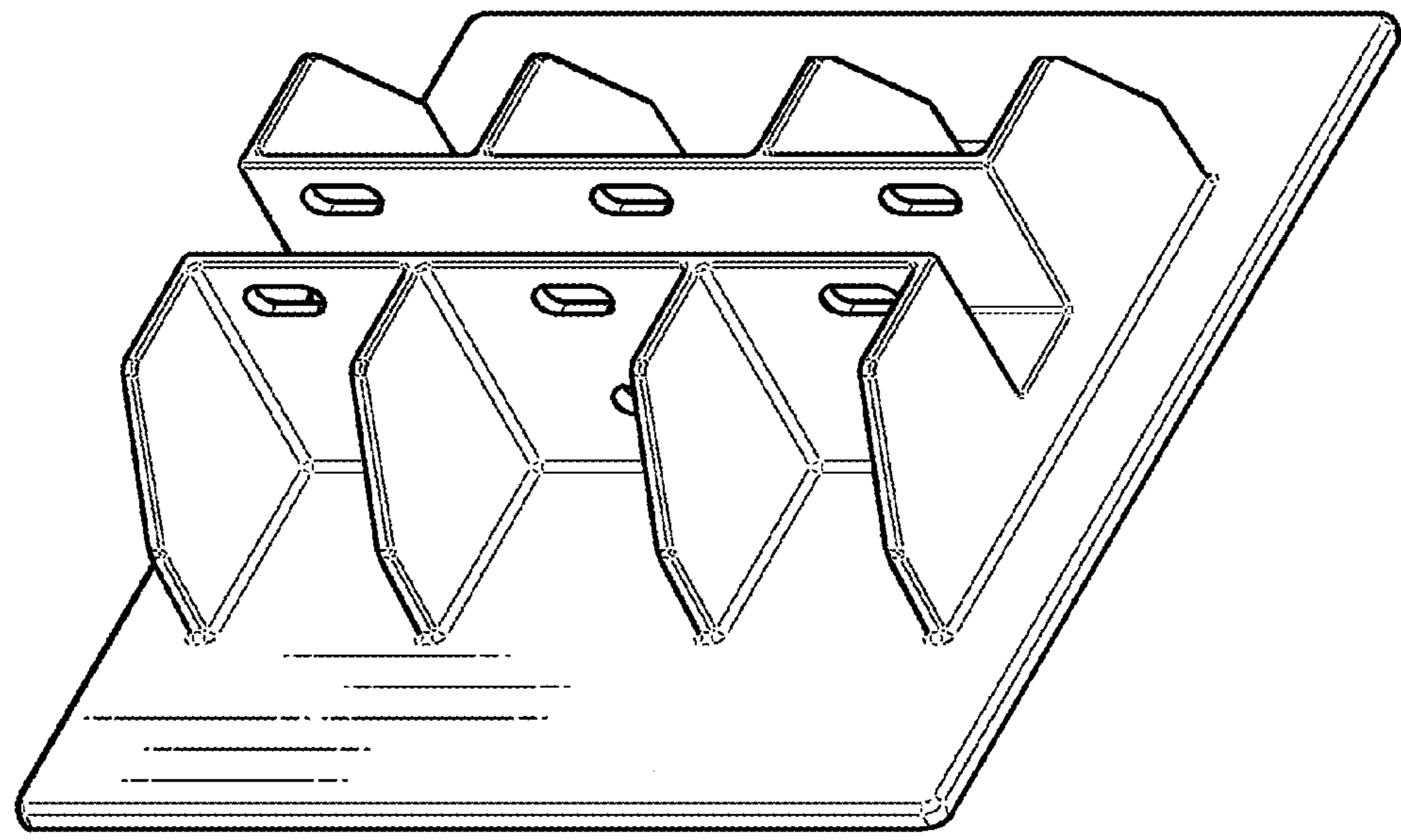
The ornamental design for a rooftop support base, as shown and described.

DESCRIPTION

FIG. 1 is a top perspective view of a rooftop support base, showing our new design in its environment;
FIG. 2 is a bottom view thereof;
FIG. 3 is a top plan view thereof;
FIG. 4 is a front elevation view, the rear elevation view being a mirror image thereof;
FIG. 5 is a rear sectional view taken along lines 5-5 from FIG. 2 thereof;
FIG. 6 is a left side elevation view, the right side elevation view being a mirror image thereof;
FIG. 7 is a top perspective view thereof;
FIG. 8 is a top perspective view in an environment of use thereof;
FIG. 9 is a top perspective view in an environment of use thereof;
FIG. 10 is a top perspective view in an environment of use thereof;
FIG. 11 is a top perspective view in an environment of use thereof;
FIG. 12 is a top perspective view in an environment of use thereof; and,
FIG. 13 is a top perspective view in an environment of use. The broken lines in FIGS. 1 and 8-13 depict environmental subject matter of piping and hardware for the invention and form no part of the claimed design.

(56) **References Cited**
U.S. PATENT DOCUMENTS
D229,384 S * 11/1973 Groce et al. D8/354
4,502,653 A 3/1985 Curtis, Jr.
5,217,191 A 6/1993 Smith
5,685,508 A 11/1997 Smith
5,816,554 A 10/1998 McCracken
5,855,342 A 1/1999 Hawkins et al.
D420,277 S 2/2000 Burke et al.
D427,049 S 6/2000 Neider
6,345,474 B1 2/2002 Triplett
6,364,256 B1 4/2002 Neider et al.
6,502,791 B2 1/2003 Parker
6,592,093 B2 7/2003 Valentz
6,679,461 B1 1/2004 Hawkins
D521,851 S 5/2006 Smart

1 Claim, 8 Drawing Sheets



(56)

References Cited

U.S. PATENT DOCUMENTS

8,312,692	B2	11/2012	Krovats	
D749,935	S *	2/2016	Rook	D8/349
D758,834	S	6/2016	Tally	
D767,796	S *	9/2016	Kinsman	D25/133
9,528,271	B2	12/2016	Rook et al.	
D810,010	S	2/2018	Rook et al.	
D824,749	S *	8/2018	Wright	D8/354
10,550,588	B2 *	2/2020	Smith	E04G 21/166

* cited by examiner

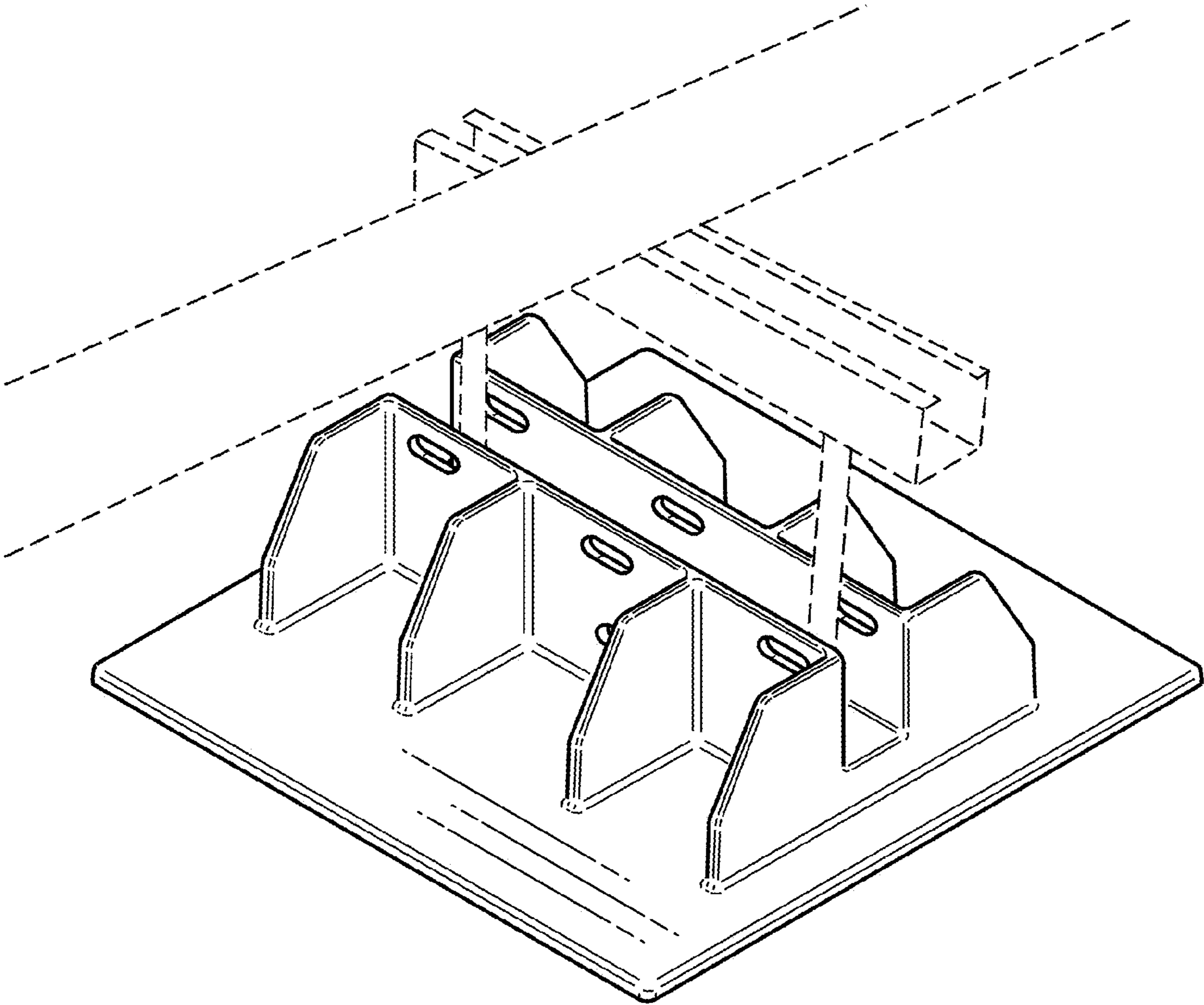


FIG. 1

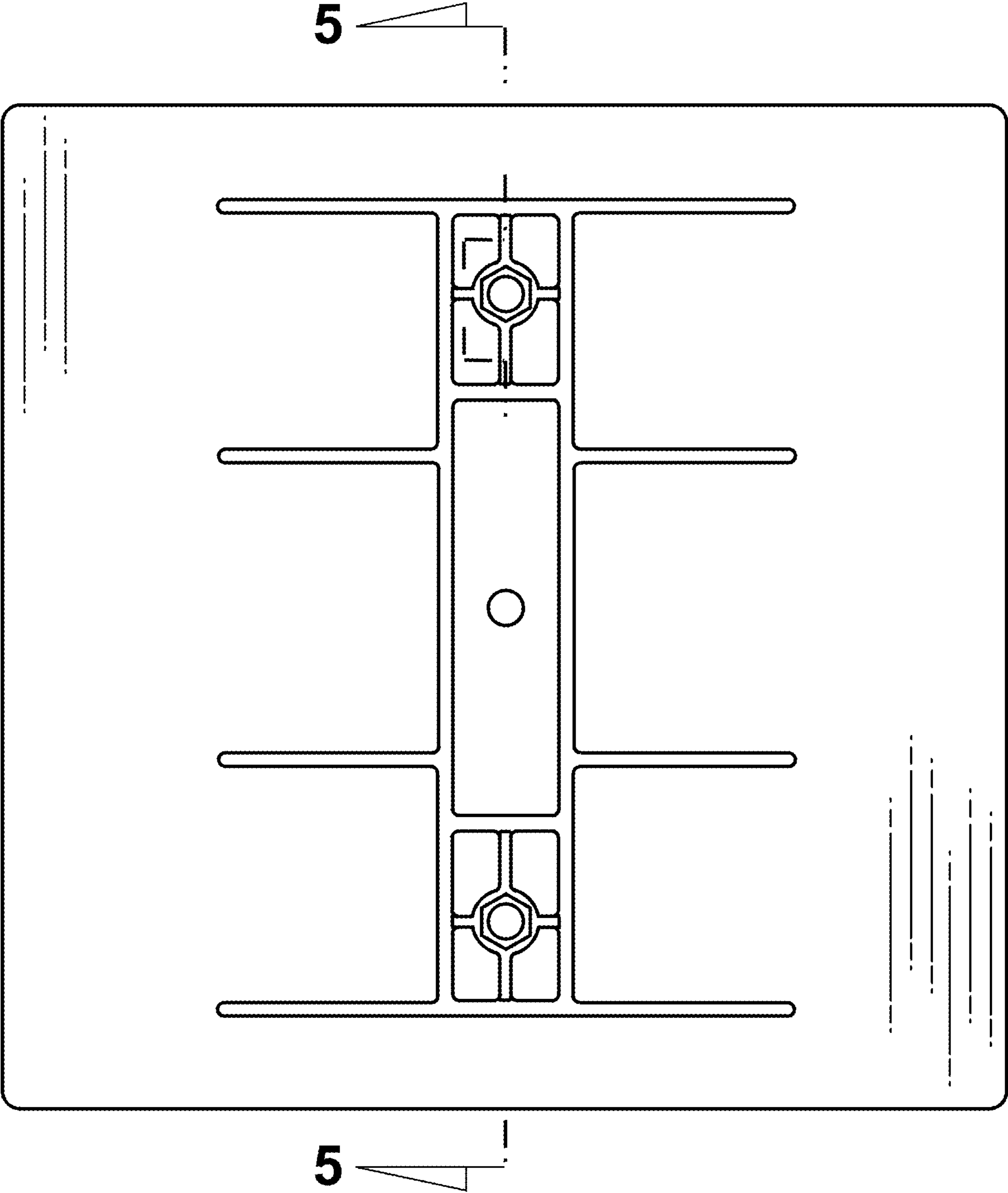


FIG. 2

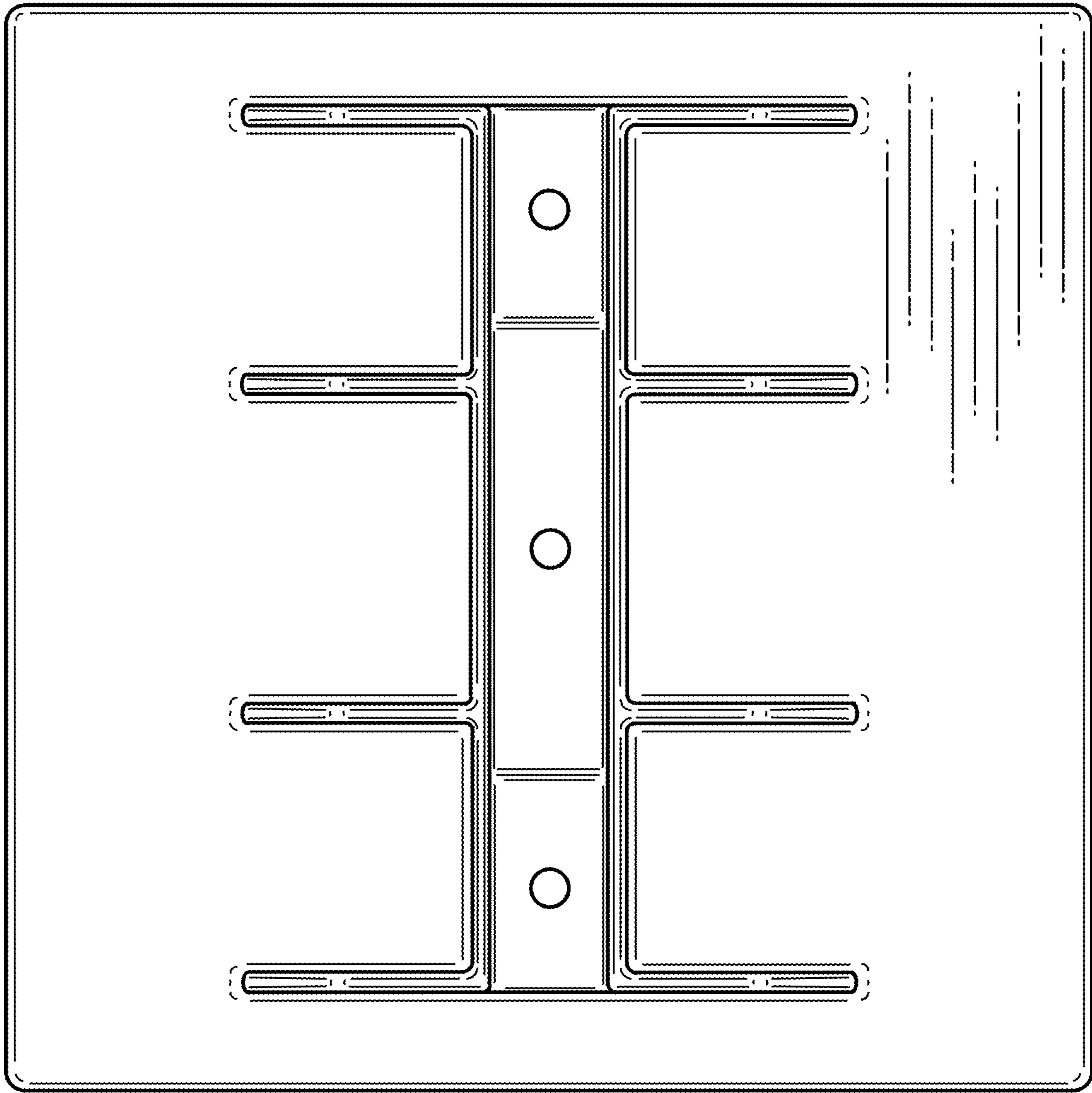


FIG. 3

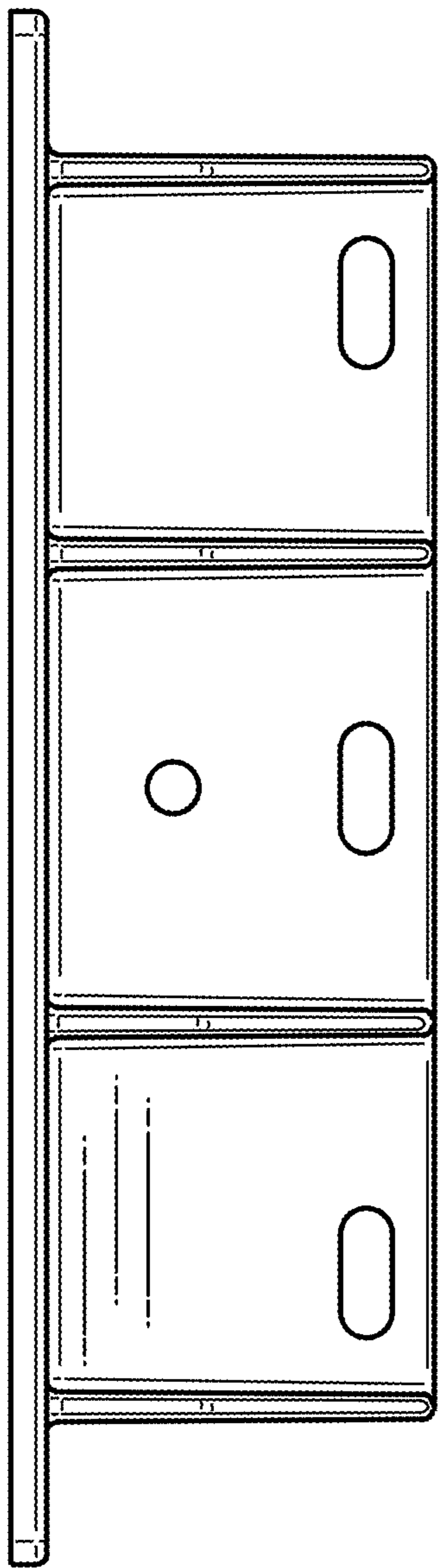


FIG. 4

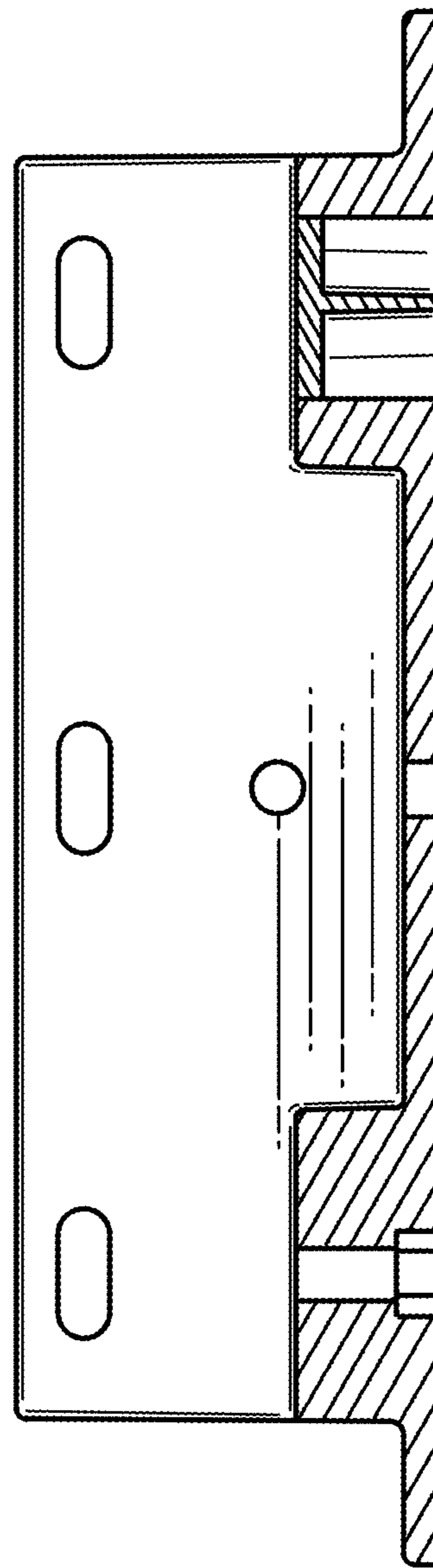


FIG. 5

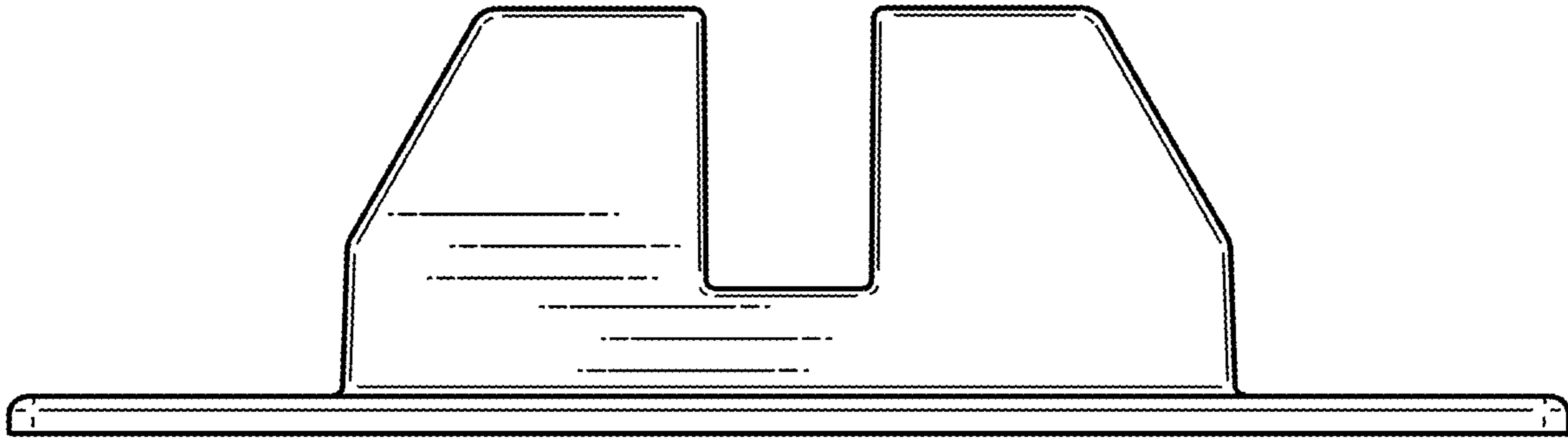


FIG. 6

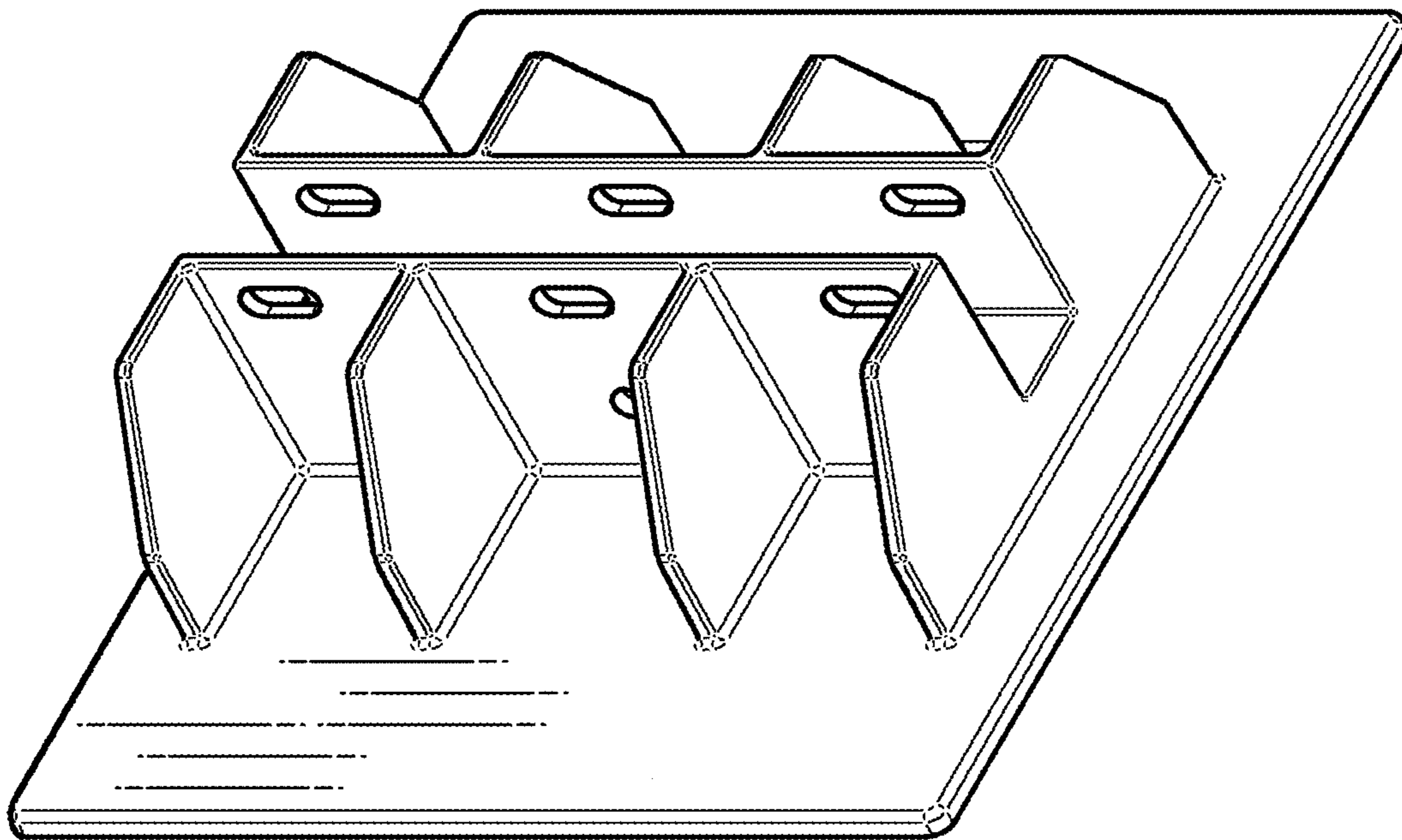


FIG. 7

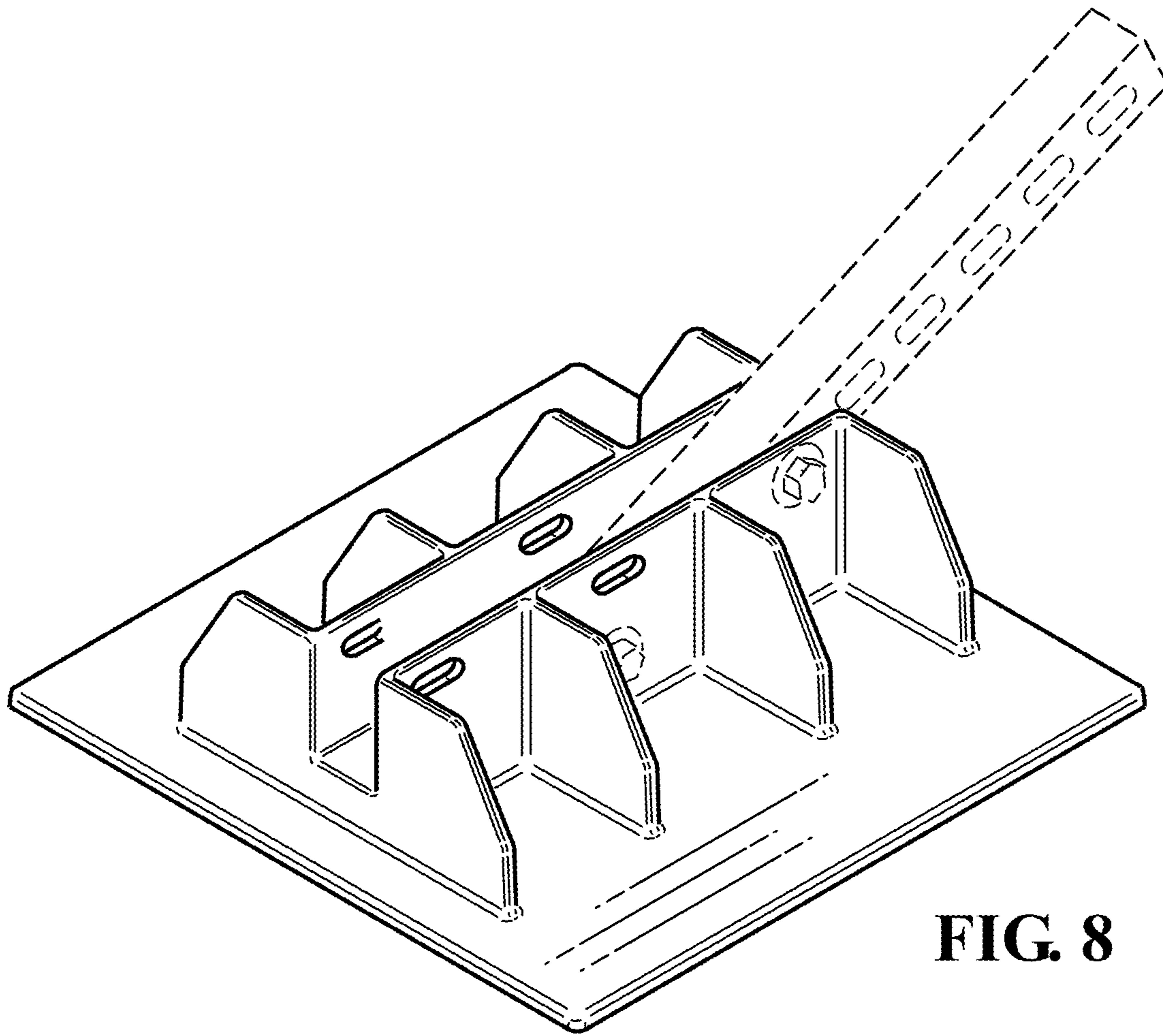


FIG. 8

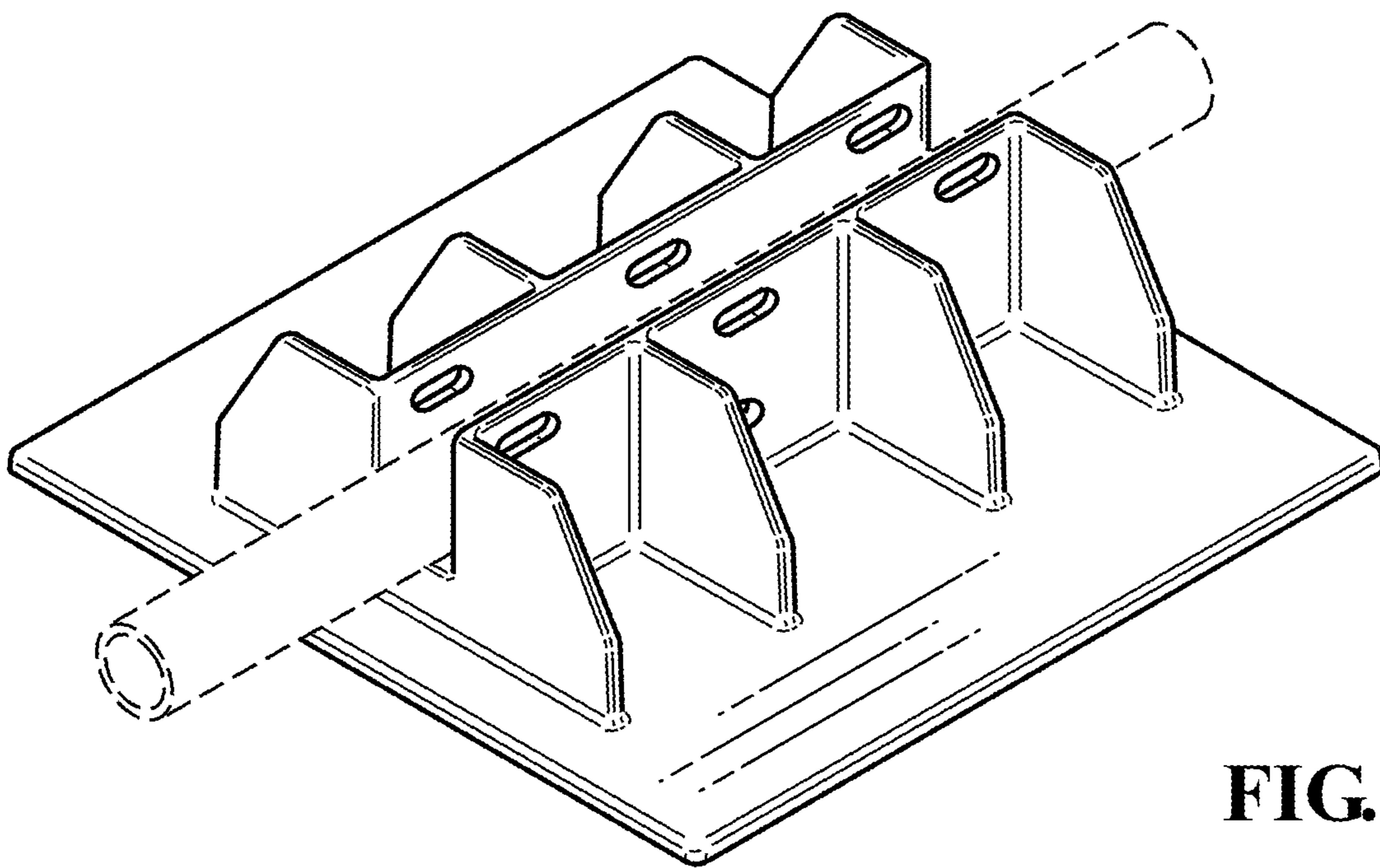


FIG. 9

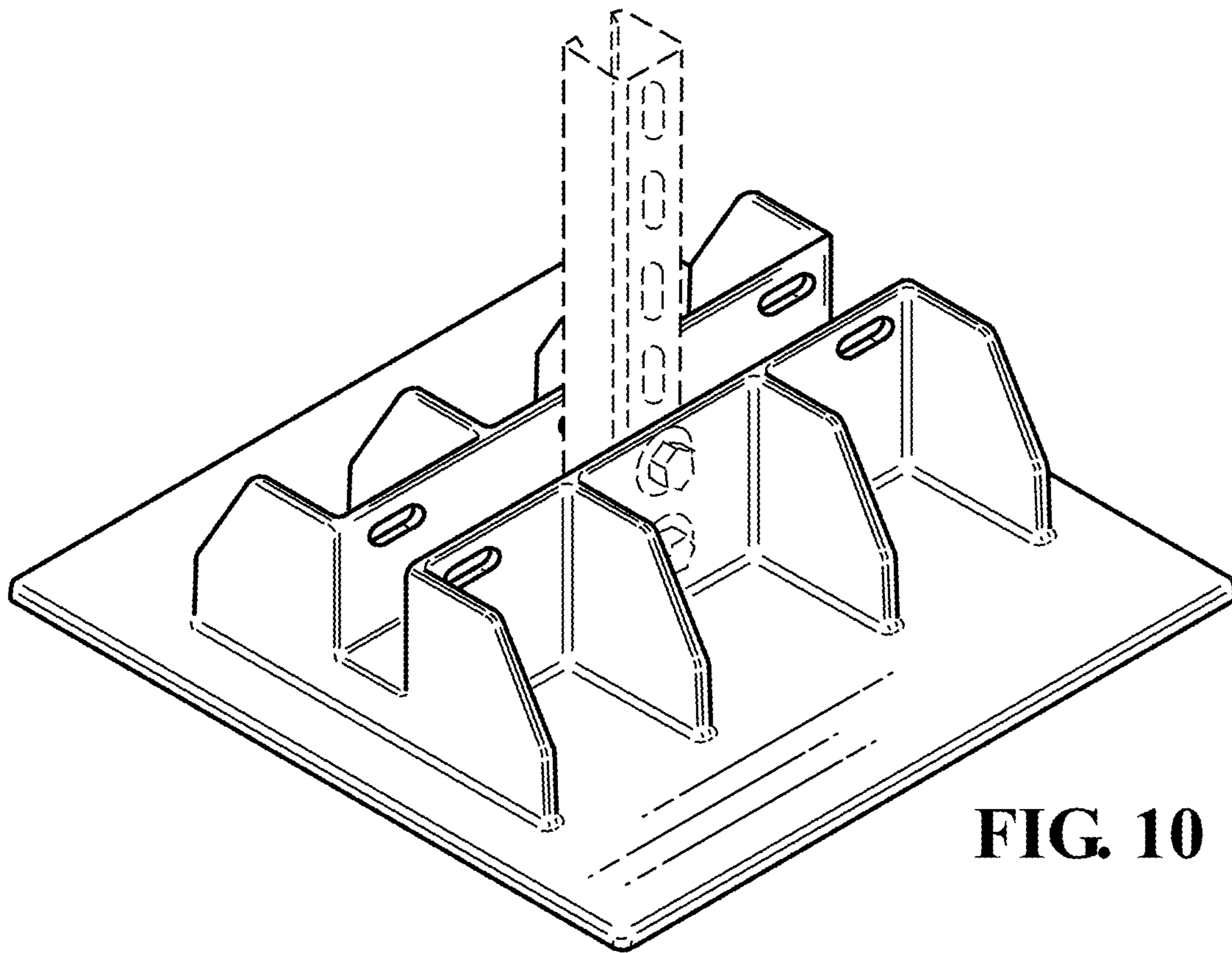


FIG. 10

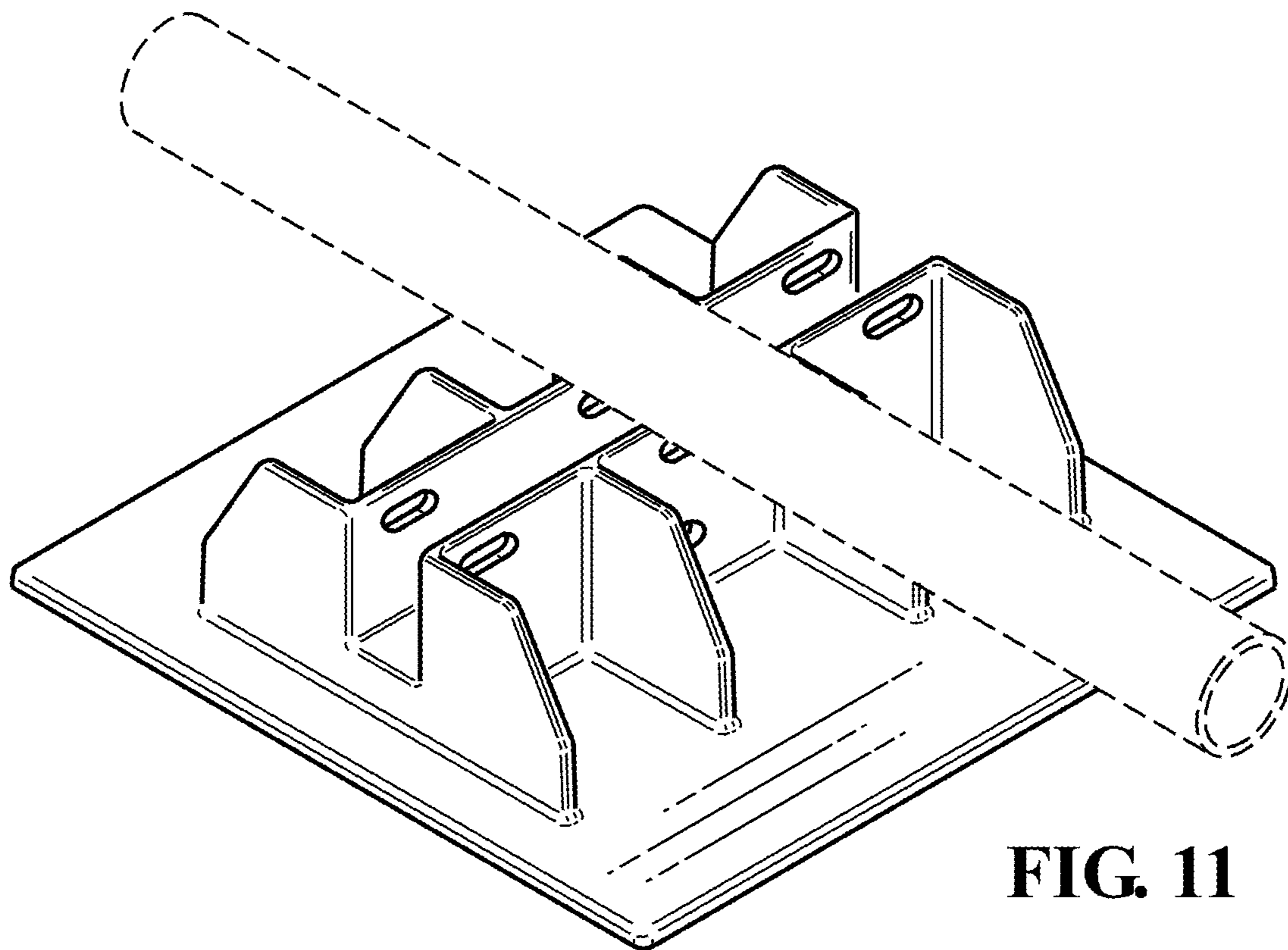


FIG. 11

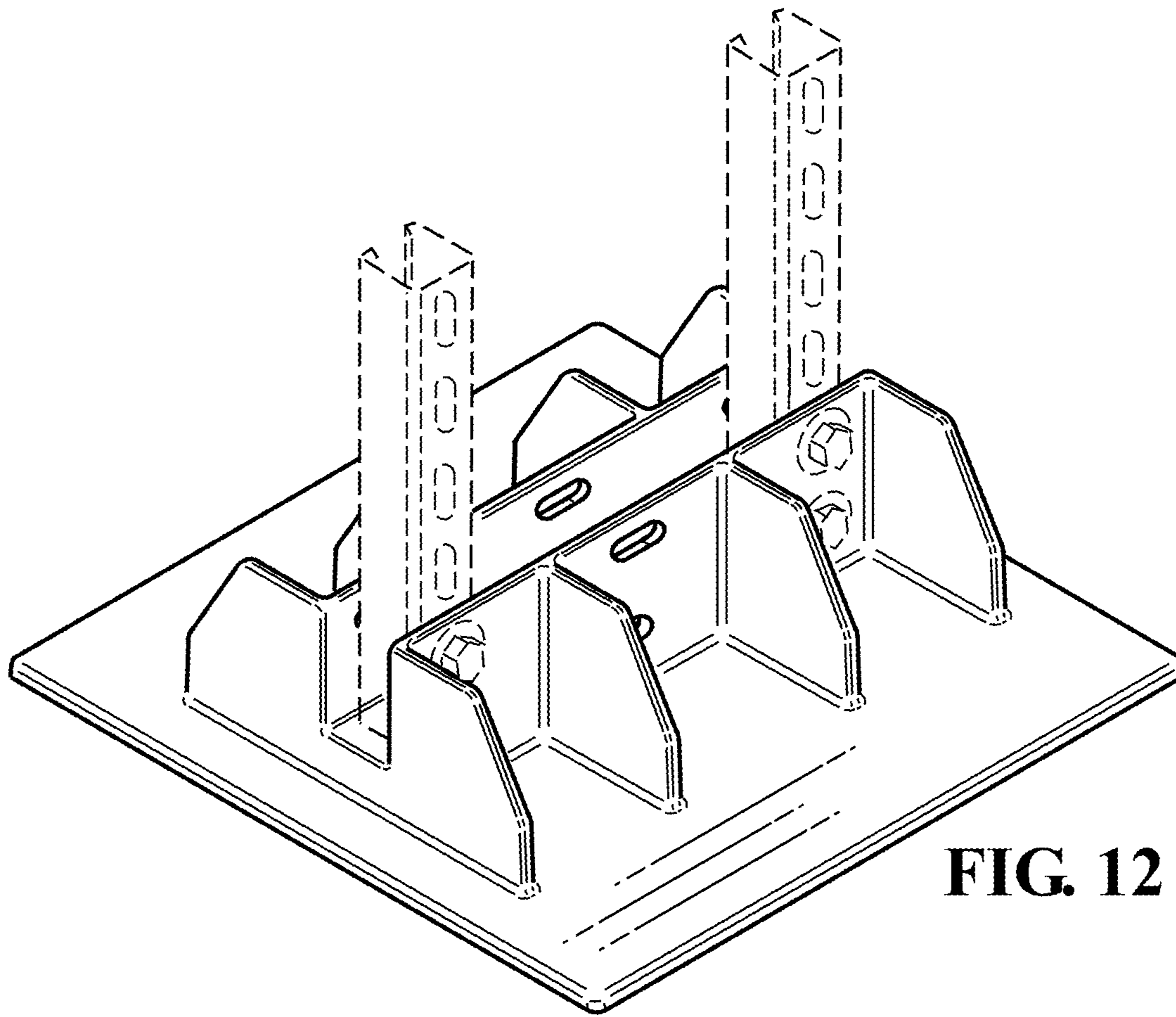


FIG. 12

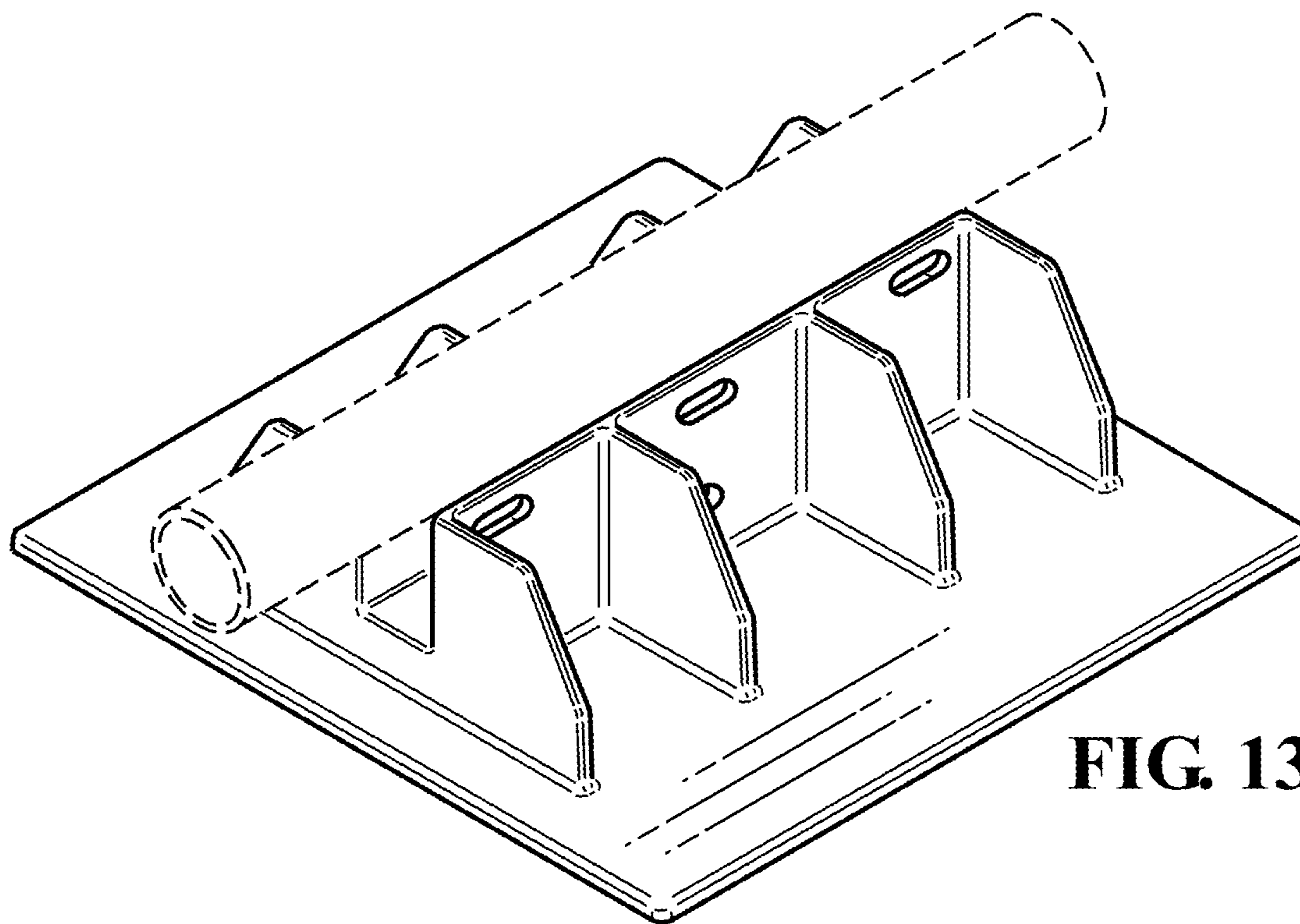


FIG. 13