



US00D883774S

(12) **United States Design Patent** (10) **Patent No.:** **US D883,774 S**
Comalander (45) **Date of Patent:** **** May 12, 2020**

- (54) **PIPE SUPPORT STRUCTURE**
- (71) Applicant: **Chris Comalander**, Beaumont, TX (US)
- (72) Inventor: **Chris Comalander**, Beaumont, TX (US)
- (73) Assignee: **Comalander Fabrication & Services, LLC**, Beaumont, TX (US)
- (**) Term: **15 Years**
- (21) Appl. No.: **29/683,451**
- (22) Filed: **Mar. 13, 2019**
- (51) **LOC (12) Cl.** **08-05**
- (52) **U.S. Cl.**
USPC **D8/380**
- (58) **Field of Classification Search**
USPC D8/349, 354, 355, 380, 382, 383, 394, D8/74; D25/56, 57, 61, 62, 66, 126, 127, D25/133, 134
CPC . F16F 15/00; F16L 3/20; F16L 55/035; E04B 1/38; E04D 13/12
See application file for complete search history.

- D521,851 S * 5/2006 Smart D8/354
- 7,441,731 B2 * 10/2008 Smart F16L 3/02 248/68.1
- D631,324 S * 1/2011 Azuma D8/354
- D631,325 S * 1/2011 Azuma D8/354
- 8,807,492 B2 * 8/2014 Lake F16L 1/0246 248/68.1
- 8,931,977 B2 * 1/2015 Connors B23K 37/0533 405/184.4
- 9,291,288 B2 * 3/2016 Simmons F16L 3/24
- D753,475 S * 4/2016 Chappus D8/380
- D767,796 S * 9/2016 Kinsman D25/133
- 10,047,879 B2 * 8/2018 Drummond F16L 57/06
- D837,638 S * 1/2019 Sargent D8/380
- 2006/0131469 A1 * 6/2006 Roy F16L 3/02 248/346.03
- 2008/0054143 A1 * 3/2008 Collins F16L 3/02 248/227.2
- 2016/0221715 A1 * 8/2016 Pratt B65D 19/44

* cited by examiner

Primary Examiner — Janice Hallmark
Assistant Examiner — Harold E Blackwell, II
(74) *Attorney, Agent, or Firm* — Thrive IP; Peter L. Brewer

(57) **CLAIM**

The ornamental design for pipe support structure, as shown and described.

(56) **References Cited**

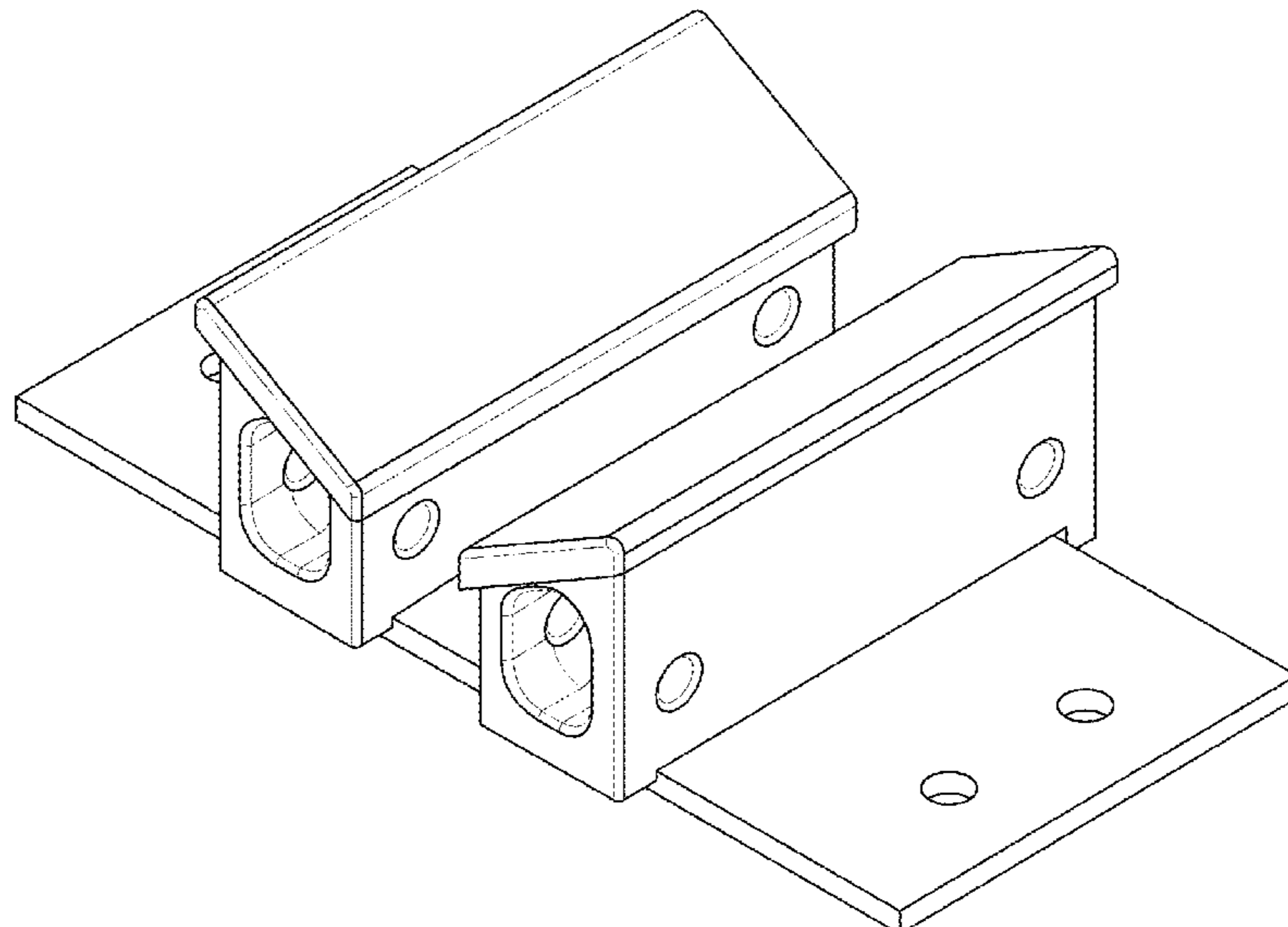
U.S. PATENT DOCUMENTS

- D229,384 S * 11/1973 Groce et al. D8/354
- 4,502,653 A * 3/1985 Curtis, Jr. F16L 3/18 248/55
- 4,513,934 A * 4/1985 Pruyne F16L 3/1218 248/49
- 4,899,963 A * 2/1990 Murphy F16L 3/137 24/16 R
- 5,072,901 A * 12/1991 Scott F16L 1/06 248/49
- D408,726 S * 4/1999 Vallee D8/380
- D436,522 S * 1/2001 Neider D8/380
- 6,648,281 B1 * 11/2003 Lake A62C 33/06 248/49

DESCRIPTION

FIG. 1 is an isometric view of the pipe support structure according to the present application.
FIG. 2 is a front view of the pipe support structure.
FIG. 3 is a back view of the pipe support structure.
FIG. 4 is a left view of the pipe support structure.
FIG. 5 is a right view of the pipe support structure.
FIG. 6 is a top view of the pipe support structure; and,
FIG. 7 is a bottom view of the pipe support structure.

1 Claim, 5 Drawing Sheets



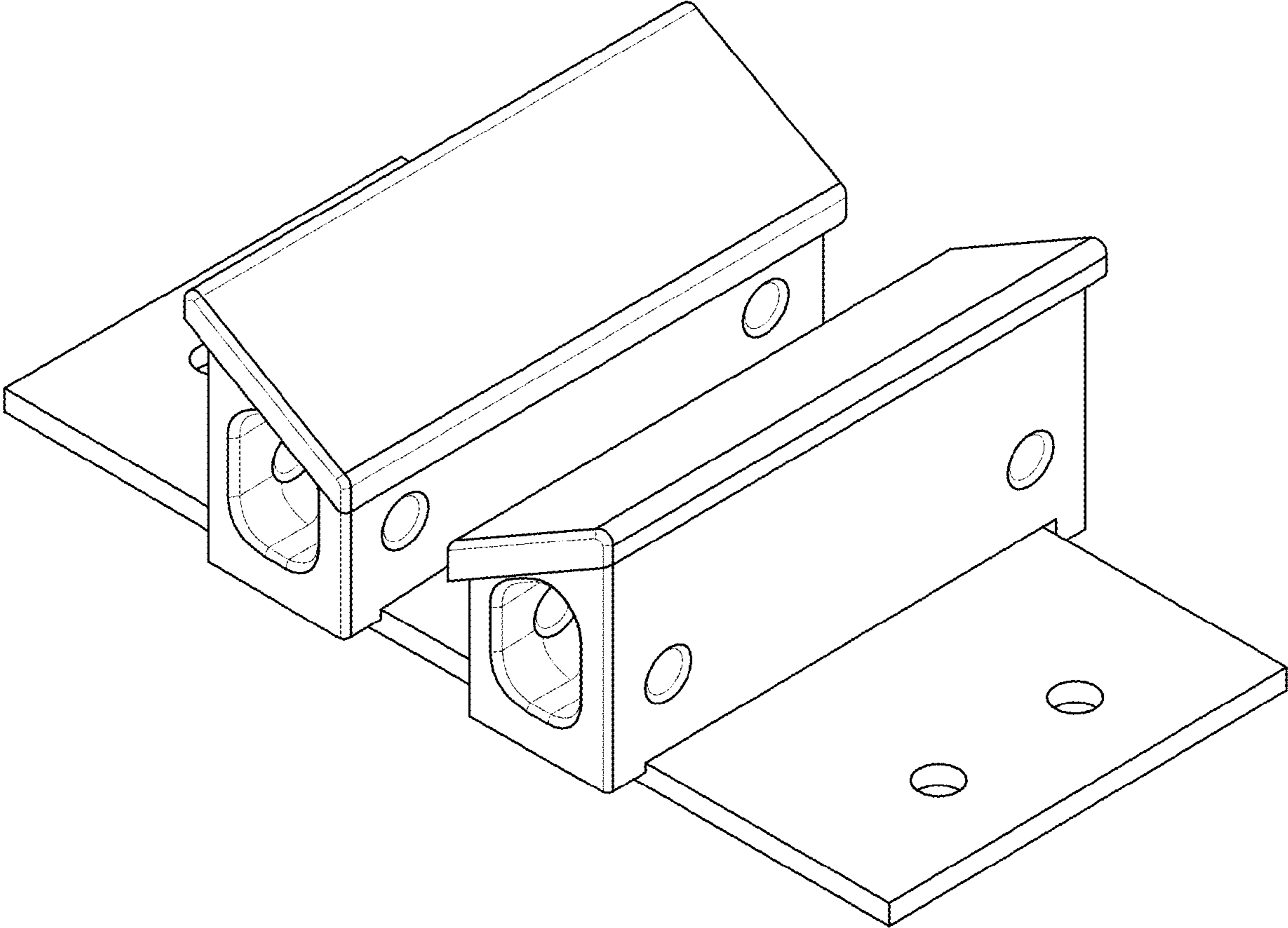


FIG. 1

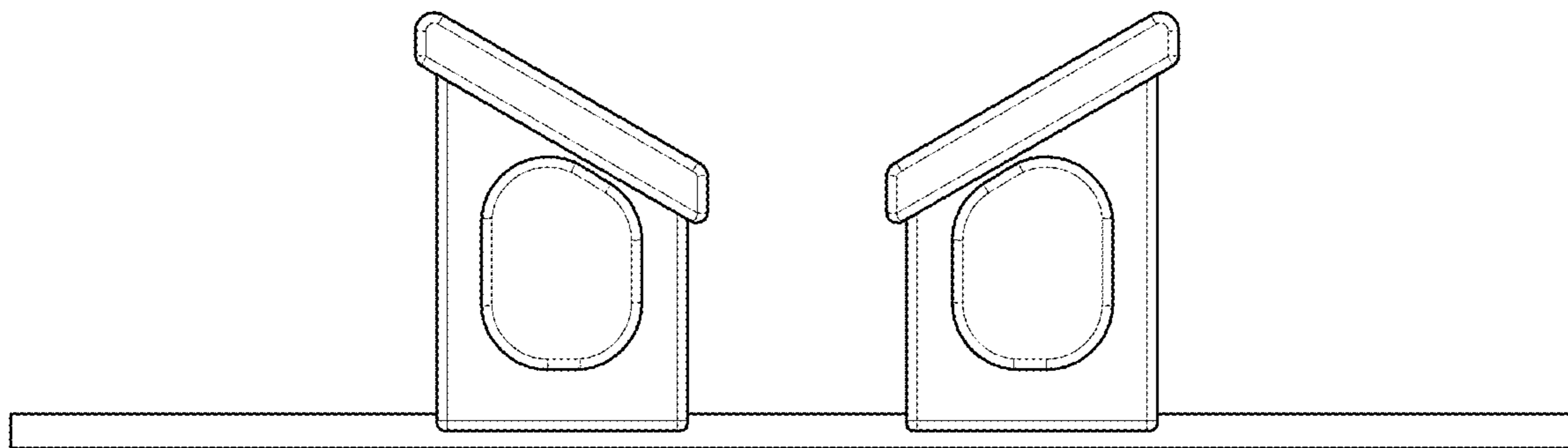


FIG. 2

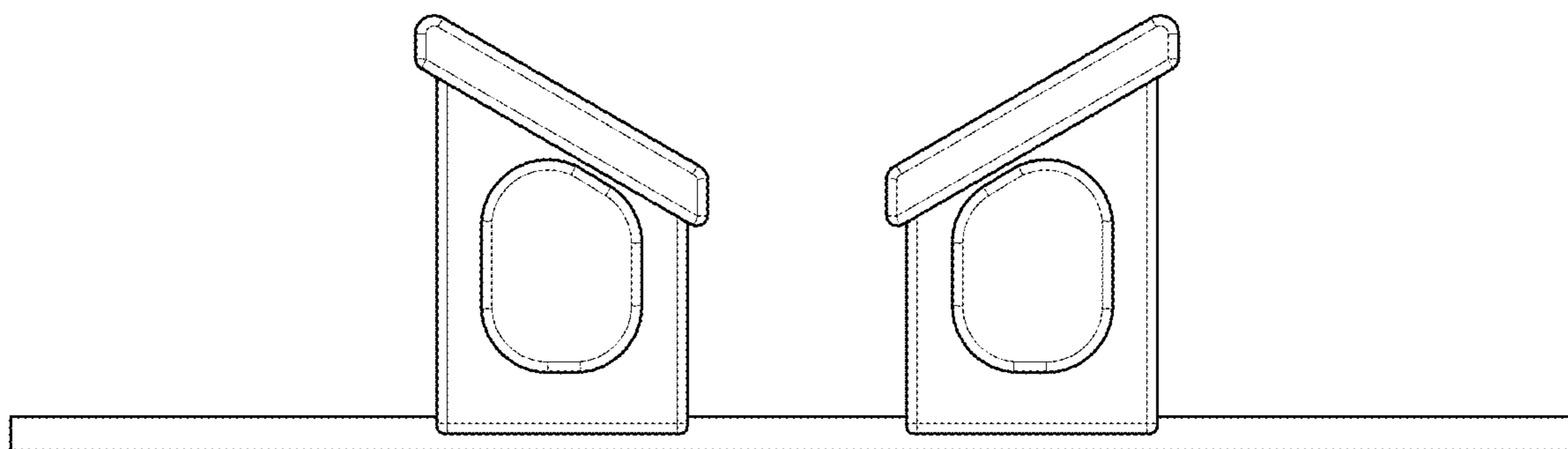


FIG. 3

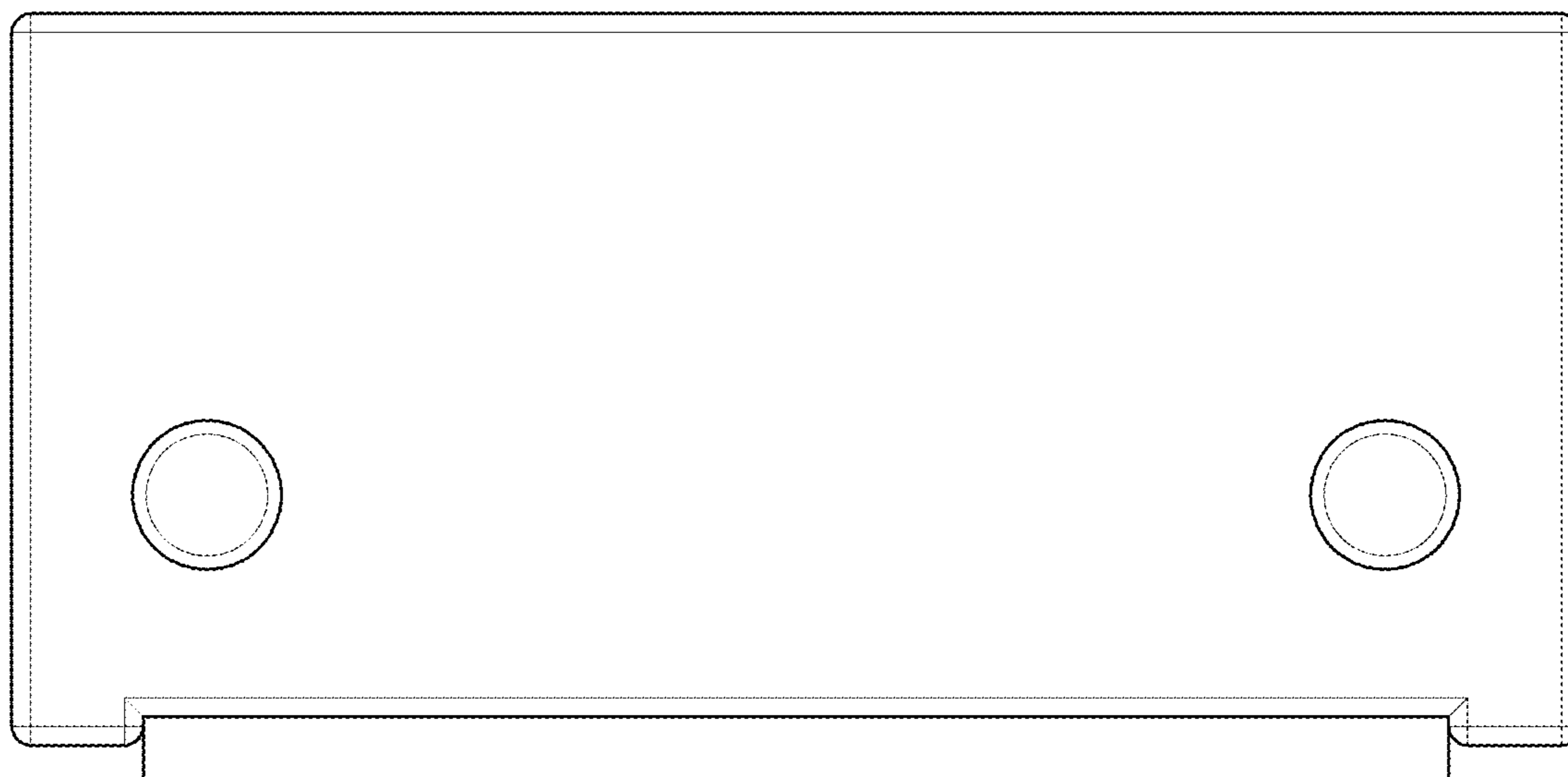


FIG. 4

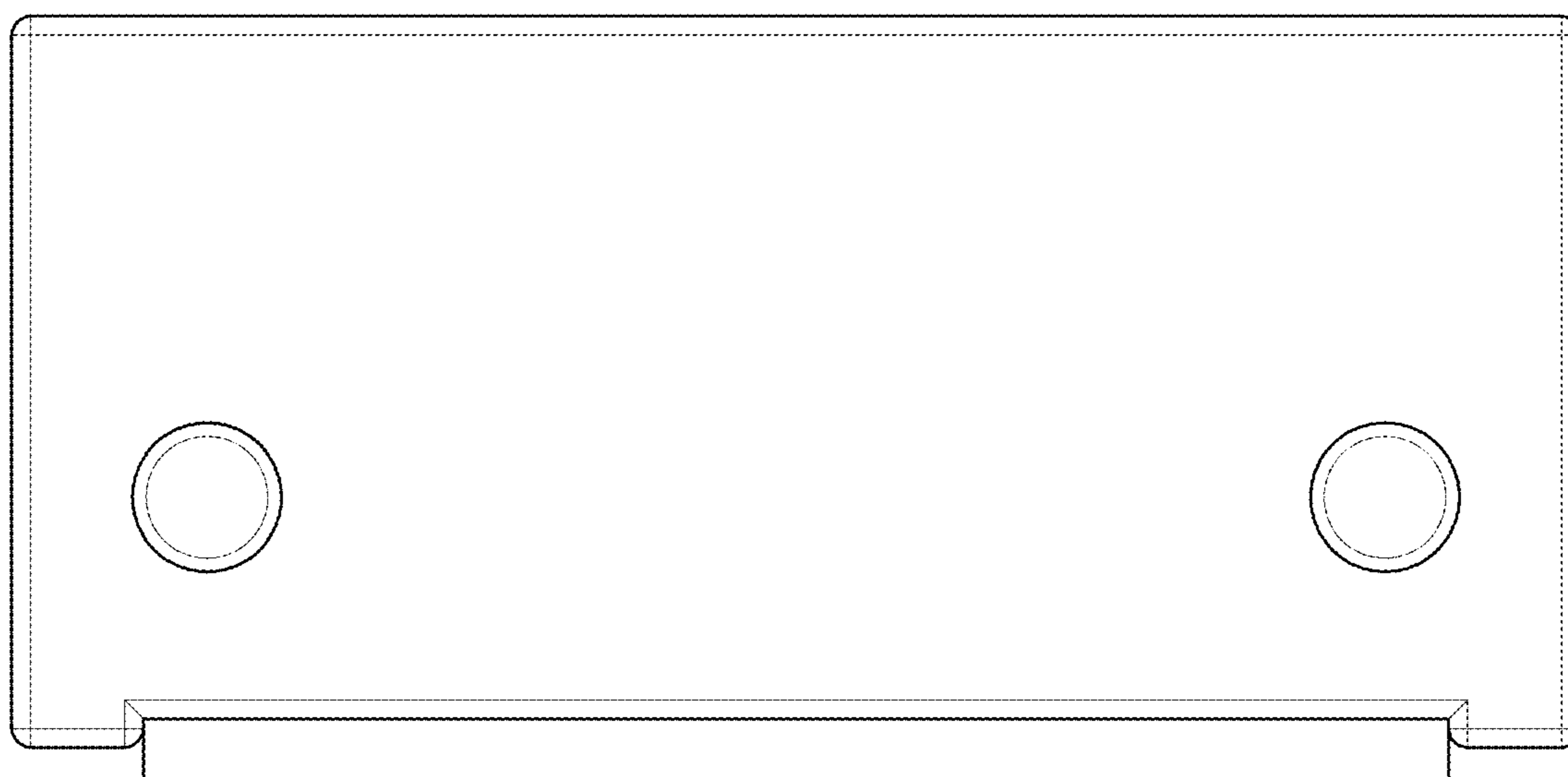


FIG. 5

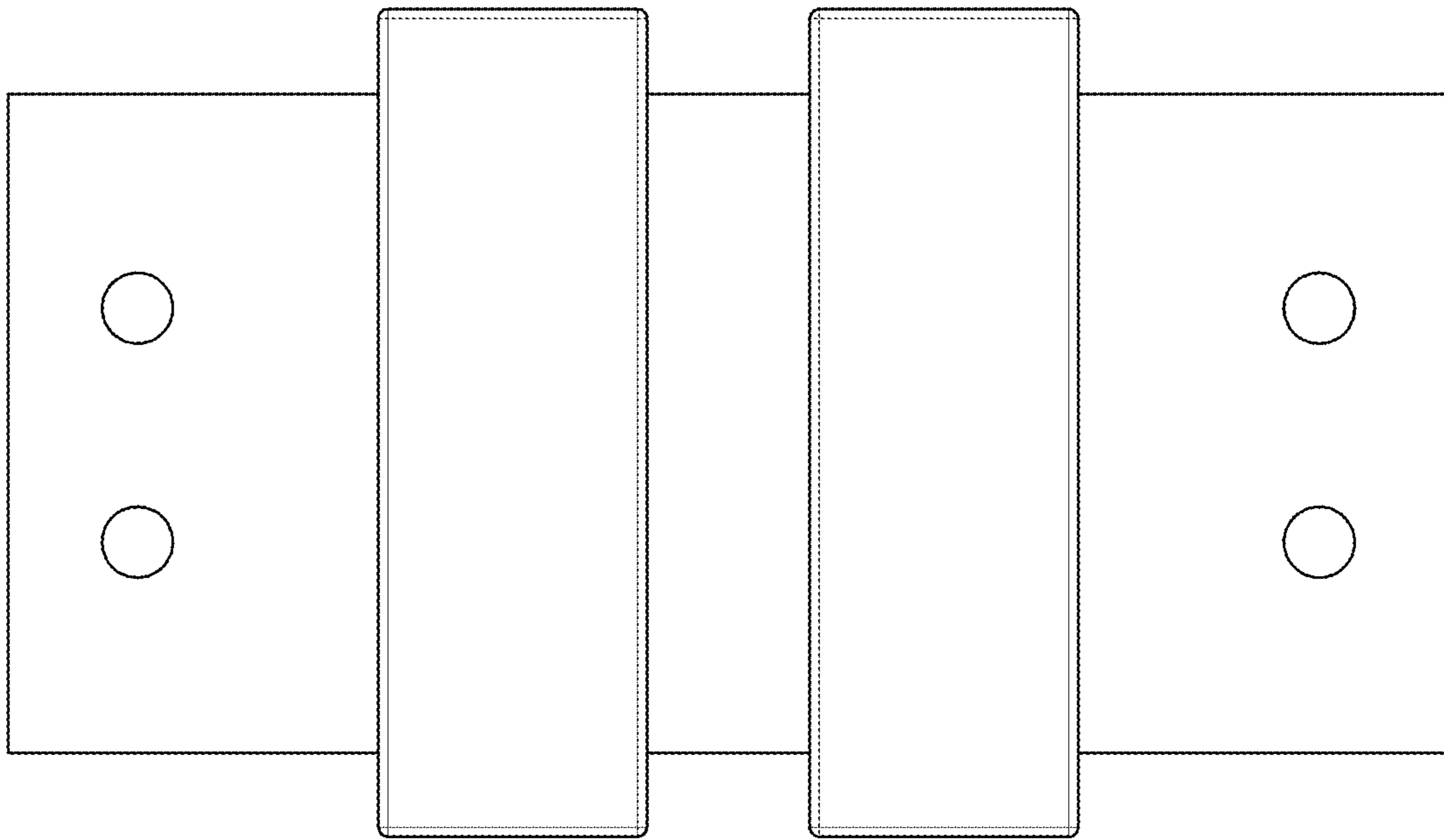


FIG. 6

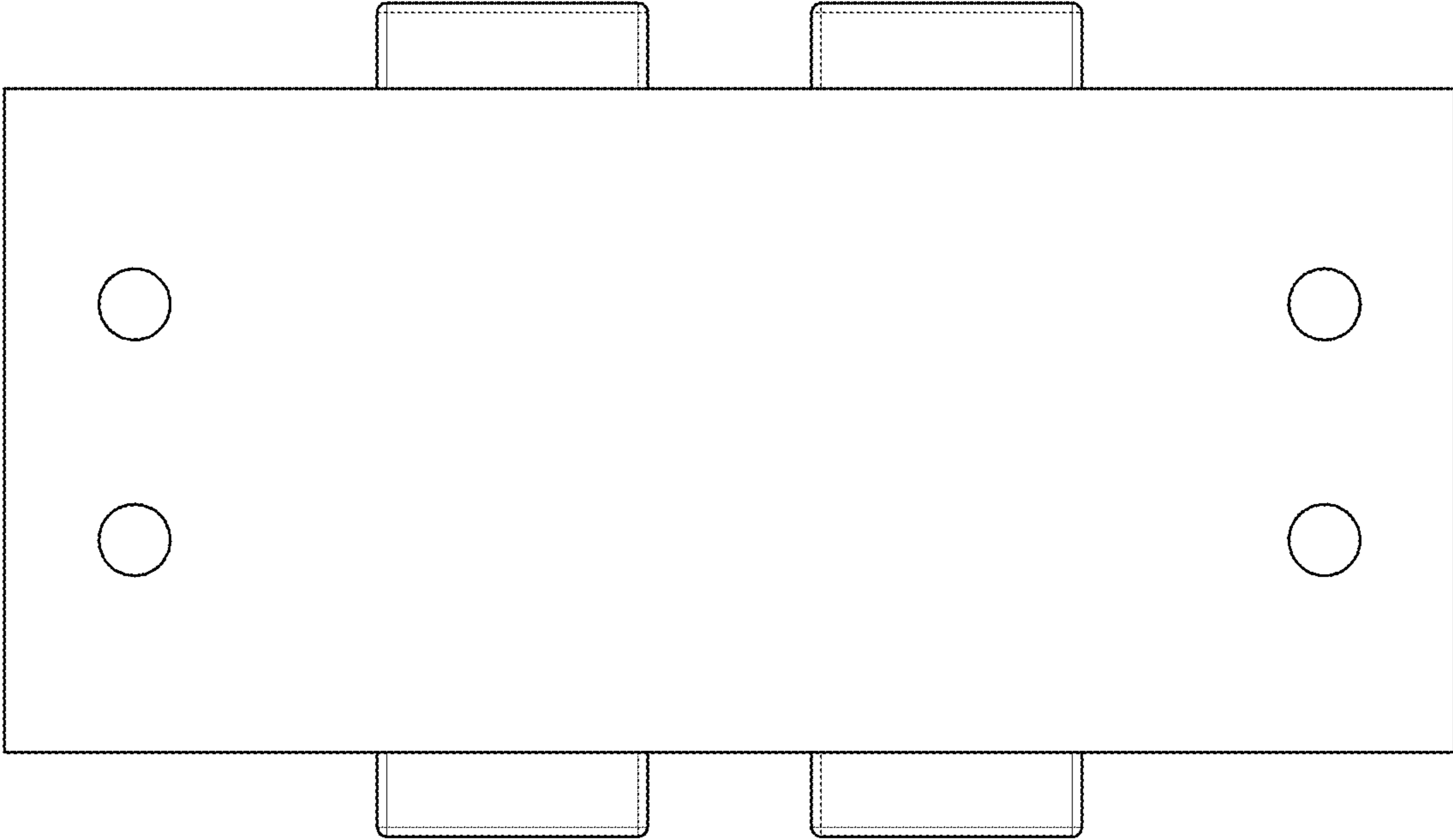


FIG. 7