



US00D883773S

(12) **United States Design Patent** (10) **Patent No.:** **US D883,773 S**
Misselbrook et al. (45) **Date of Patent:** **** May 12, 2020**

(54) **MOUNTING**

(71) Applicant: **PUMPKIN MOUNTS, LLC**, New York, NY (US)

(72) Inventors: **Nicolas K. Misselbrook**, Fife (GB); **Phillip R. Thompson**, Fife (GB)

(73) Assignee: **PUMPKIN MOUNTS, LLC**, New York, NY (US)

(**) Term: **15 Years**

(21) Appl. No.: **29/622,121**

(22) Filed: **Oct. 13, 2017**

(30) **Foreign Application Priority Data**

Apr. 21, 2017 (EM) 003866540-0001

(51) **LOC (12) Cl.** **08-05**

(52) **U.S. Cl.**
USPC **D8/373**

(58) **Field of Classification Search**

USPC D8/373, 358, 359, 354, 71, 330, 336, D8/351, 356, 360.1, 363, 364, 367, 370, D8/372, 379, 381, 382, 395, 396; D6/349, 352; D9/426, 502, 750; D10/72, 73, 89; D11/79, 93; D13/103, D13/107; D19/67; D21/673, 674, 675, D21/839, 840; D25/19, 62, 68, 69; D26/40, 49; D29/122, 124; D30/153, D30/155; D12/162; D34/24, 26
CPC B65H 75/40; B65H 75/4407; B65H 75/4471; B65H 2701/34; B65H 2701/32; B65H 2511/142; B65H 29/008; B65H 2701/33; B65H 54/585; B65H 51/22; B65H 75/08; B65H 75/02; B65H 2301/41485; B65H 75/4468; B65H 2301/414323; B65H 2301/414325; B65H 16/02; B65H 2301/4131; B65H 75/403; B65H 75/441; B65D 85/66; B65D 85/67; B66D 3/006; B66D 3/18; B66D 3/26; B66D 3/02; B66D

(Continued)

(56) **References Cited**

U.S. PATENT DOCUMENTS

6,740 A 9/1849 Warren
D85,522 S * 11/1931 Goldsmith D6/352
(Continued)

FOREIGN PATENT DOCUMENTS

EP 0132048 A1 1/1985
EP 0296974 A1 12/1988
(Continued)

OTHER PUBLICATIONS

Our Businesses / Liberty Engineering / Liberty Vehicle Products / Liberty Defence Dynamics / Pumpkin mounts, posted unknown, [retrieved Jan. 22, 2019]. Retrieved from Internet, <URL: <http://www.libertyhousegroup.com/our-businesses/liberty-engineering/liberty-vehicle-products/liberty-defence-dynamics/pumpkin-mounts/>>.*

(Continued)

Primary Examiner — Shannon W Morgan

Assistant Examiner — Kristin E Reed

(74) *Attorney, Agent, or Firm* — Arent Fox LLP

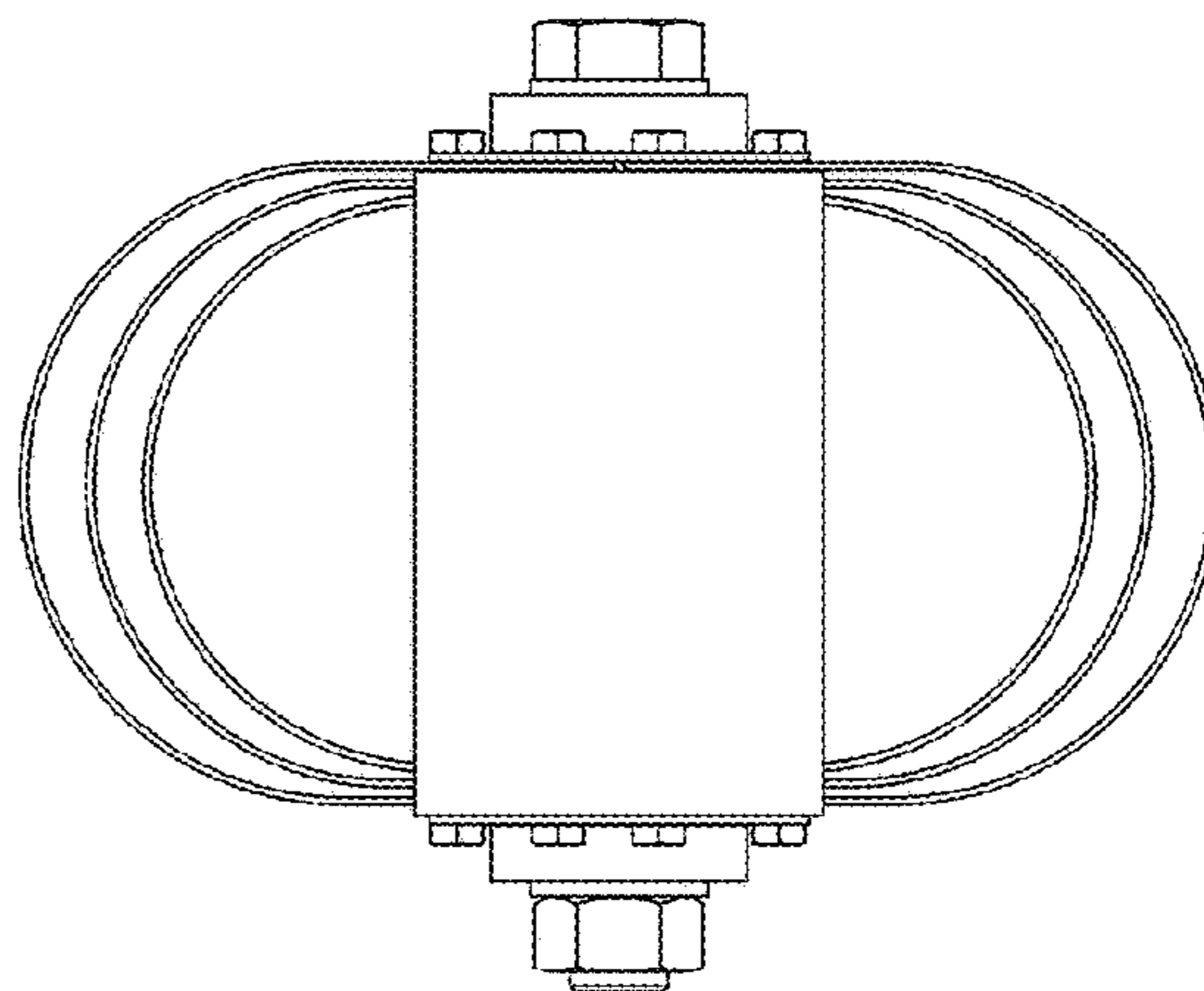
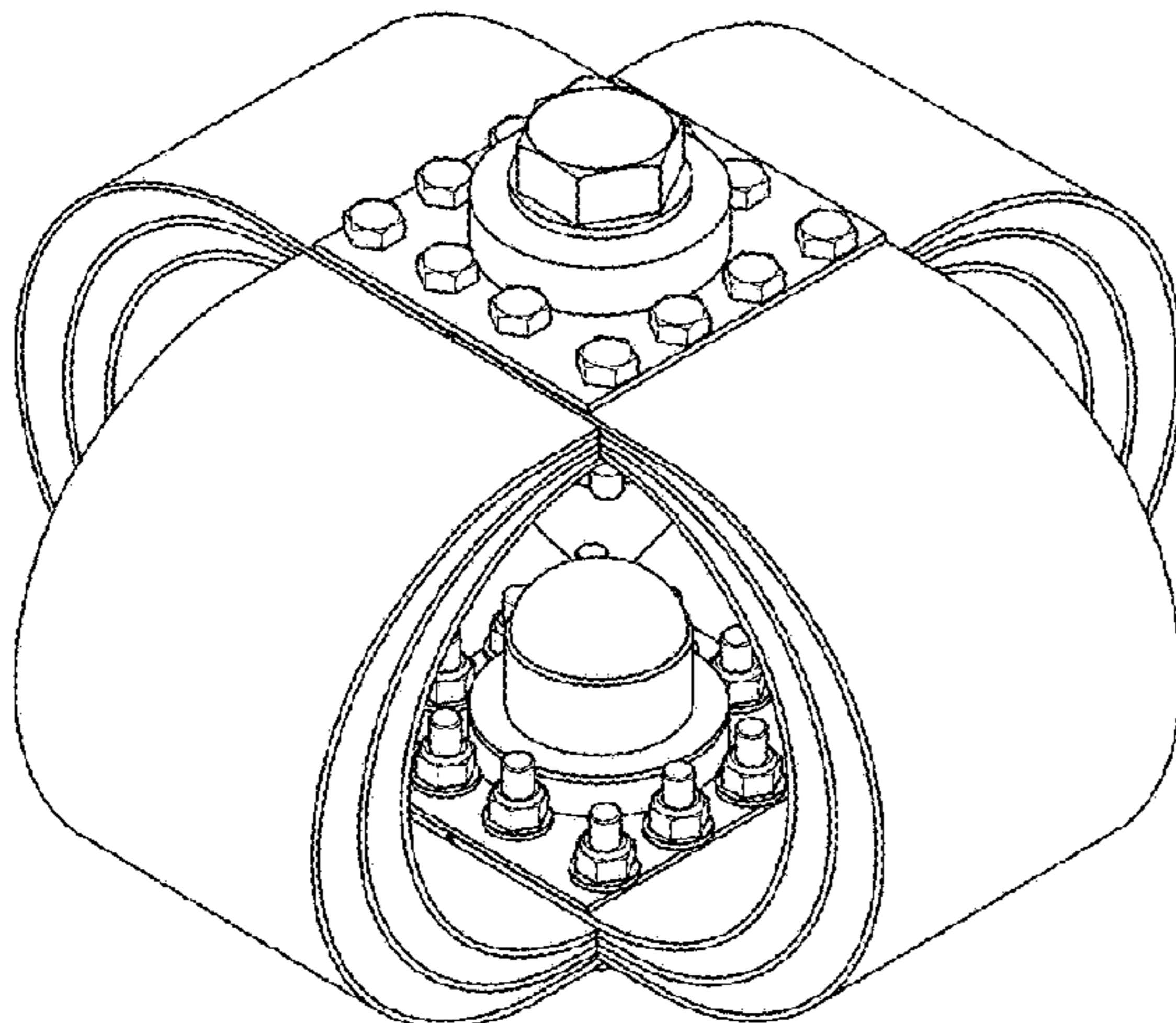
(57) **CLAIM**

The ornamental design for a mounting, as shown and described.

DESCRIPTION

FIG. 1 is a perspective view of a configuration of a mounting showing the new design;
FIG. 2 is a top view thereof;
FIG. 3 is a front view thereof;
FIG. 4 is a side view of the mounting shown in FIG. 3 rotated along the Y-Axis; and,
FIG. 5 is a bottom view thereof.

1 Claim, 5 Drawing Sheets



(58) **Field of Classification Search**

CPC 3/14; B63B 21/18; B63B 21/26; B65B 57/005; A61G 7/1051; A61G 7/1061; B66B 11/08; A62C 33/04; B08B 2203/0276; B21C 47/28; H02G 11/02; A01K 89/003; H04M 1/15; A01D 34/822; A47L 9/26; H04R 1/1033; Y10S 24/909; E05C 19/10; E05C 17/50; E05C 3/045; E05C 3/30; E05C 19/02; E05C 19/026; A47G 25/0614; A47G 25/18; A47G 25/32; A47G 7/047; A47G 7/045; A47G 7/042; A47G 7/044; F16B 12/44; F16B 12/46; F16B 5/0614; F16B 12/02; E04B 1/2612; E04B 2001/2415; E04B 1/5818; E04B 1/5831; A47B 88/0055; E04F 11/1812; F16L 1/0246; A01G 9/024; A01G 25/14; A01G 27/001; A01G 9/042; A01G 27/005; A01G 31/001; A01G 9/02; A01G 9/083; A01G 9/12; B60D 1/185; B60P 7/083; B60P 7/0853; B60P 7/0823; Y10T 24/2175; Y10T 24/2164

See application file for complete search history.

(56) **References Cited**

U.S. PATENT DOCUMENTS

D117,789	S	*	11/1939	Kranz et al.	D11/121
D216,012	S	*	11/1969	Buchsbaum et al.	D6/352
D312,386	S	*	11/1990	Poivre	248/300
D574,292	S	*	8/2008	Jost	D11/131
D624,393	S	*	9/2010	Frey	D8/373
D663,901	S	*	7/2012	Vito	D29/122
D681,356	S	*	5/2013	Iwasaki	D6/349
D772,590	S	*	11/2016	Itzhak-Sigron	D6/352
D818,730	S	*	5/2018	Melbostad	D6/352
D822,524	S	*	7/2018	Matsumoto	D11/1
D823,673	S	*	7/2018	Jiang	F16M 13/027 D8/373
2009/0279998	A1		11/2009	Fukuda		
2018/0216687	A1*		8/2018	Thompson	F16F 15/085

FOREIGN PATENT DOCUMENTS

EP	0566436	A1	10/1993
GB	1057750	A	2/1967
GB	2330642		4/1999
JP	2006207637	A	8/2006
JP	2011127384	A	6/2011

OTHER PUBLICATIONS

PumpkinMount-Gradient2, posted Mar. 30, 2017, [retrieved Jan. 22, 2019]. Retrieved from Internet, <URL: <http://pumpkinmounts.com/home/pumpkinmount-gradient2/> >.*

Thornton Tomasetti launches new tech company, posted May 10, 2016, [retrieved Jan. 22, 2019]. Retrieved from Internet, <URL: <https://www.bdcnetwork.com/thornton-tomasetti-launches-new-tech-company> >.*

Pumpkin Mounts Thornton Tomasetti, posted Apr. 12, 2016, [retrieved Jan. 22, 2019]. Retrieved from Internet, <URL: <https://www.youtube.com/watch?v=uBtHyYCgACg> >.*

Pumpkin Mounts Thornton Tomasetti, posted Apr. 12, 2016, [retrieved Jan. 22, 2019]. Retrieved from Internet, <URL: <https://www.youtube.com/watch?v=clbHF9AcIIa> >.*

Thornton Tomasetti Awarded for Innovative Technology That Greatly Advances Testing of Navy Ship Survivability, posted Dec. 15, 2017, [retrieved Jan. 22, 2019]. Retrieved from Internet, <URL: <http://www.ttwiin.com/blog/thornton-tomasetti-awarded-for-innovative-technology-that-greatly-advances-testing-of-navy-ship-surviva>.*

Shock & Vibration Components: Circular Wire Rope Isolators; Elliptic Leaf Spring Mounts, posted unknown, [retrieved Jan. 22, 2019]. Retrieved from Internet, <URL: <http://www.vibrationmounts.com/WireRopeIsolators.htm> >.*

Home / Rubber Metal Mounts / Wire Rope Mount, posted Dec. 2016, [retrieved Jan. 22, 2019]. Retrieved from Internet, <URL: <https://vibrationsolutions.com.au/product/wire-rope-mount/> >.*

International Search Report for PCT/GB2016/050989 dated Jul. 27, 2016, 5 pages.

International Preliminary Report on Patentability and Written Opinion of the International Searching Authority issued for PCT/GB2016/050989, dated Oct. 17, 2017.

* cited by examiner

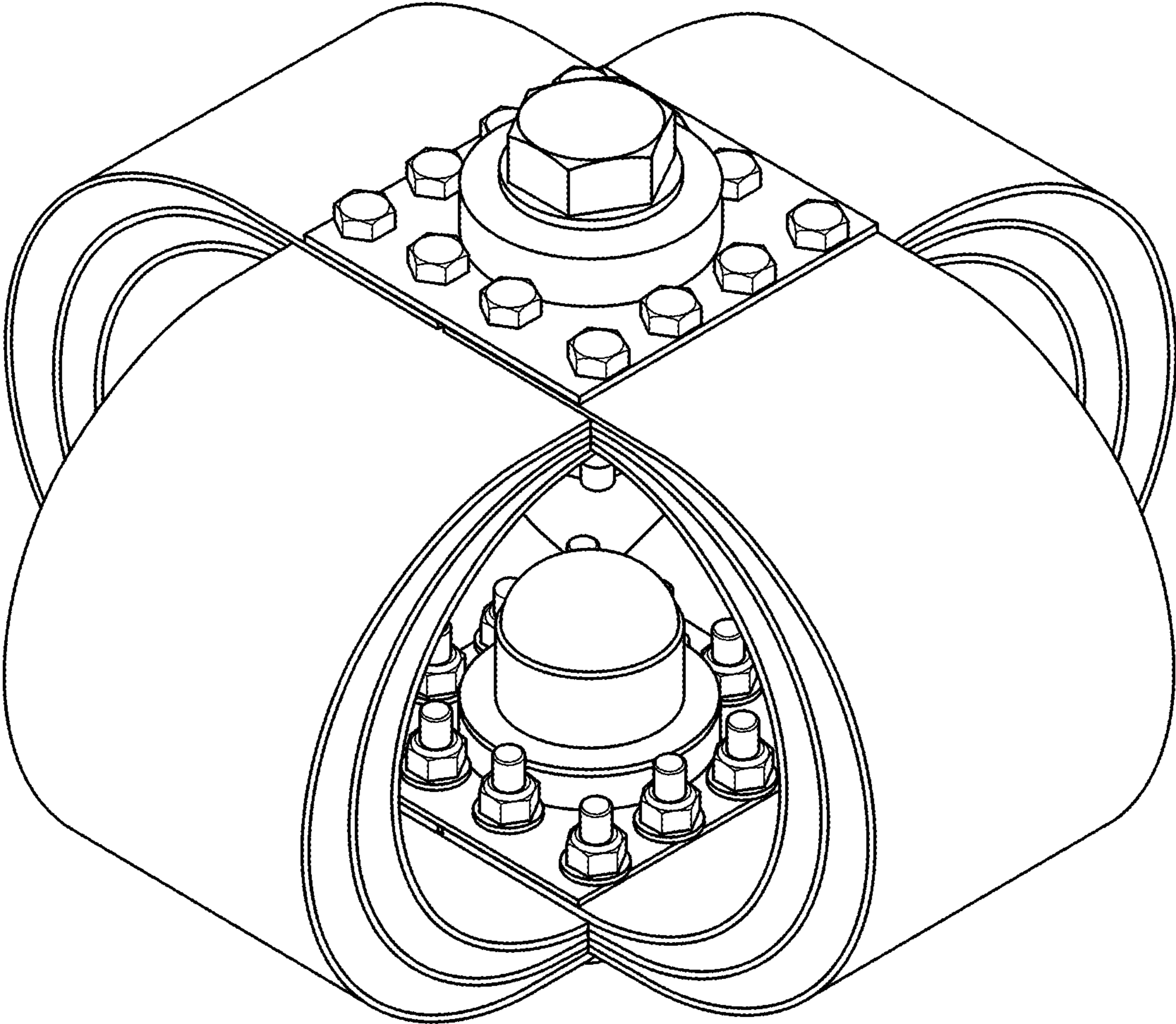


FIG. 1

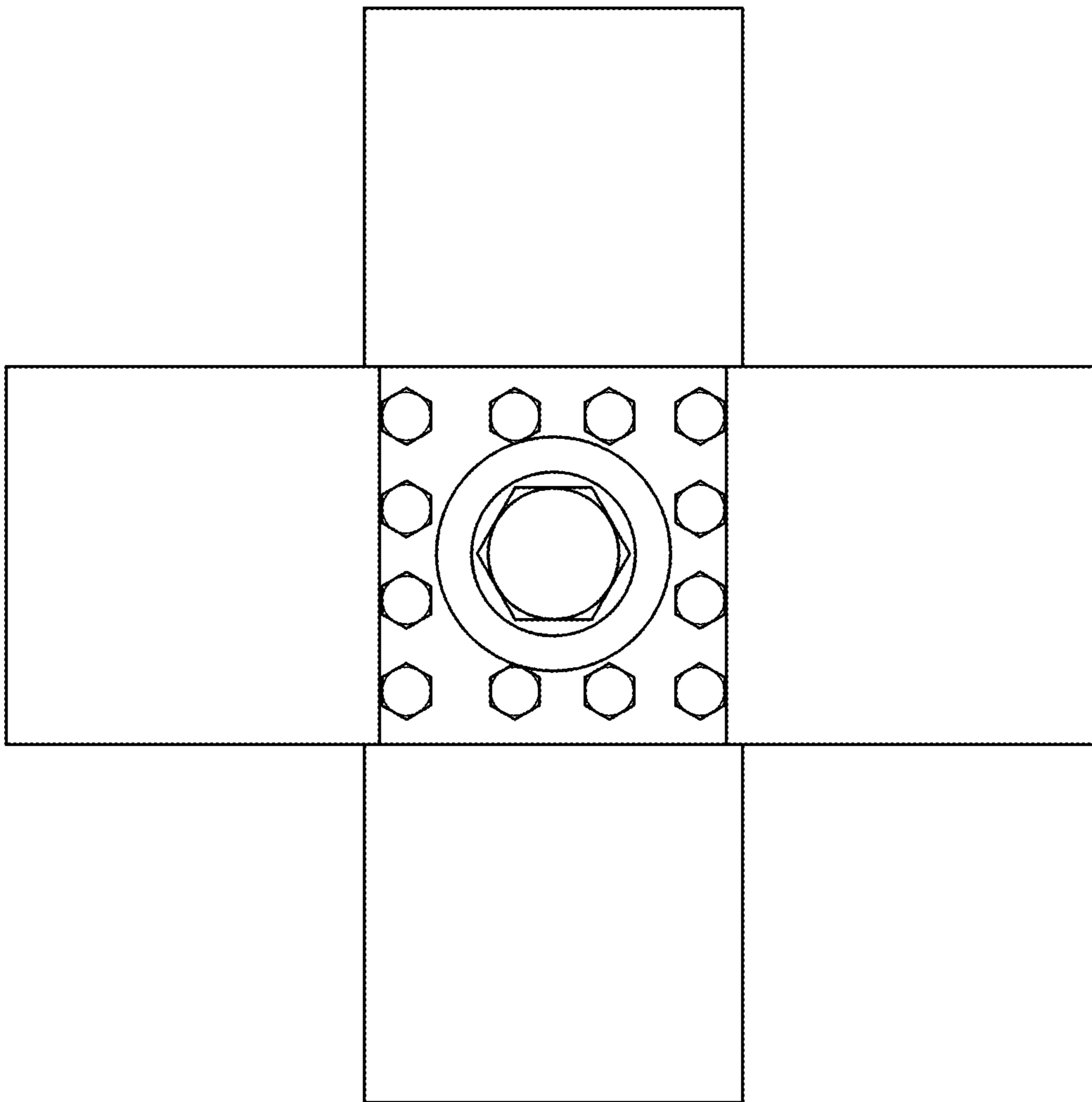


FIG. 2

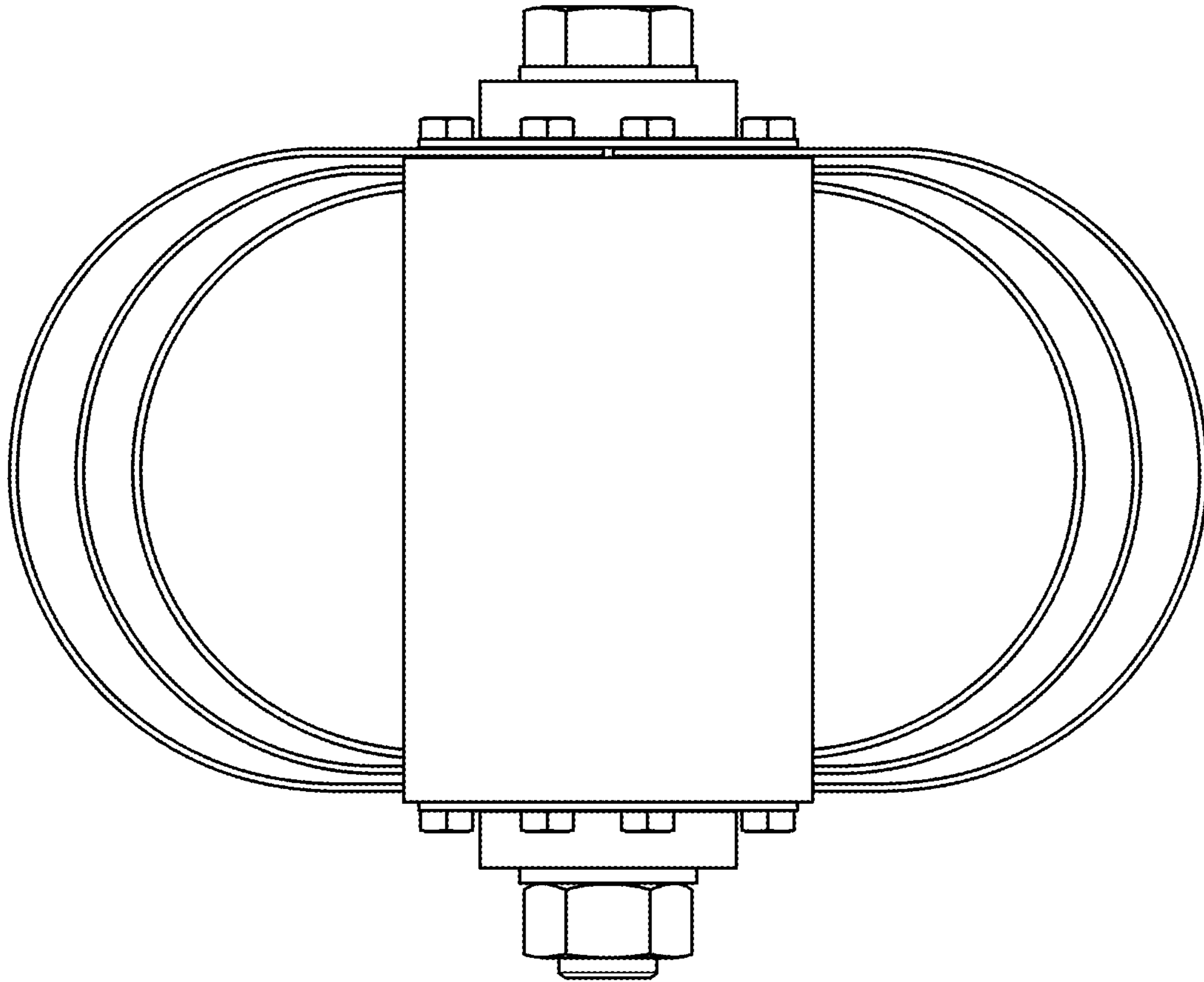


FIG. 3

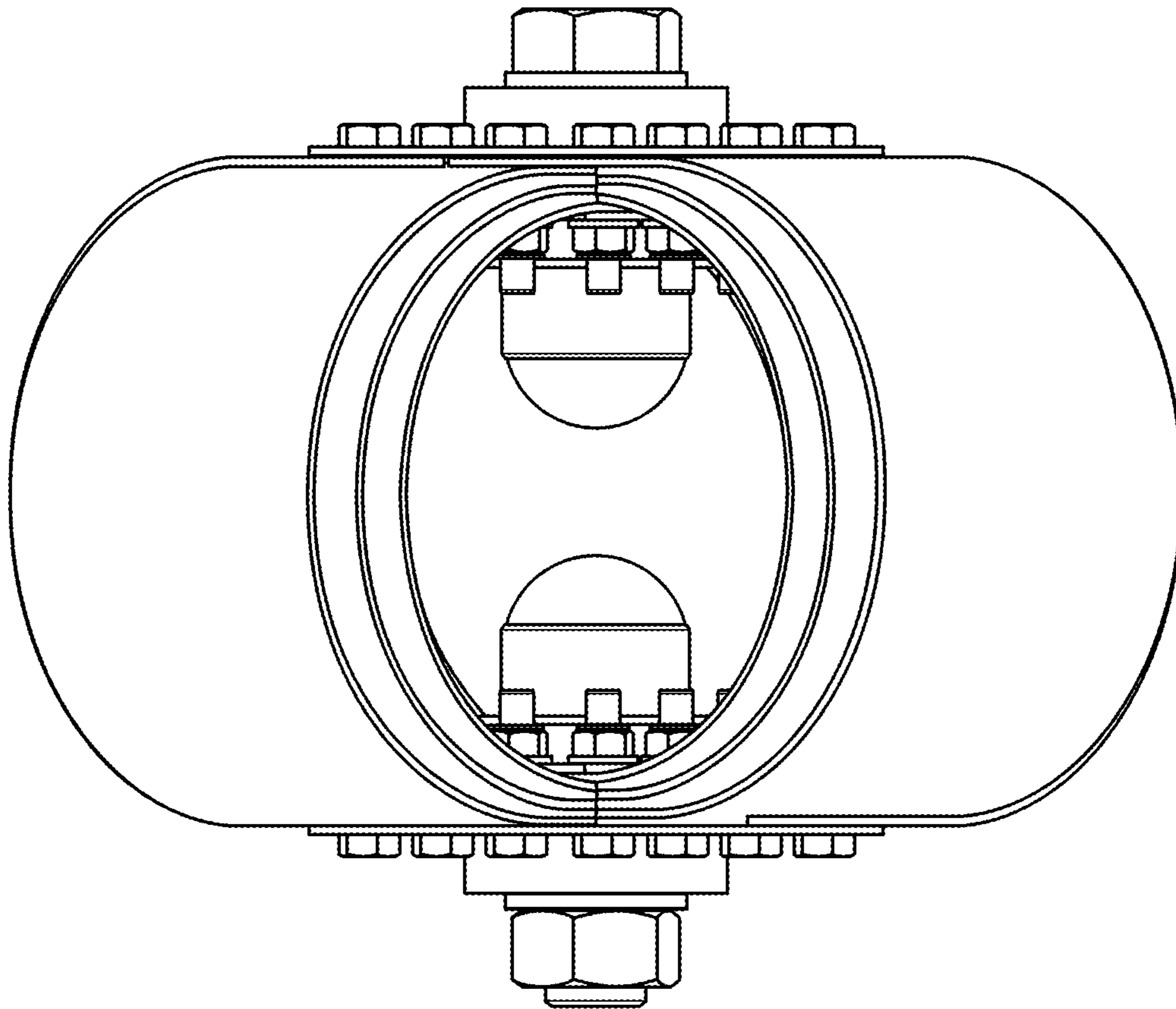


FIG. 4

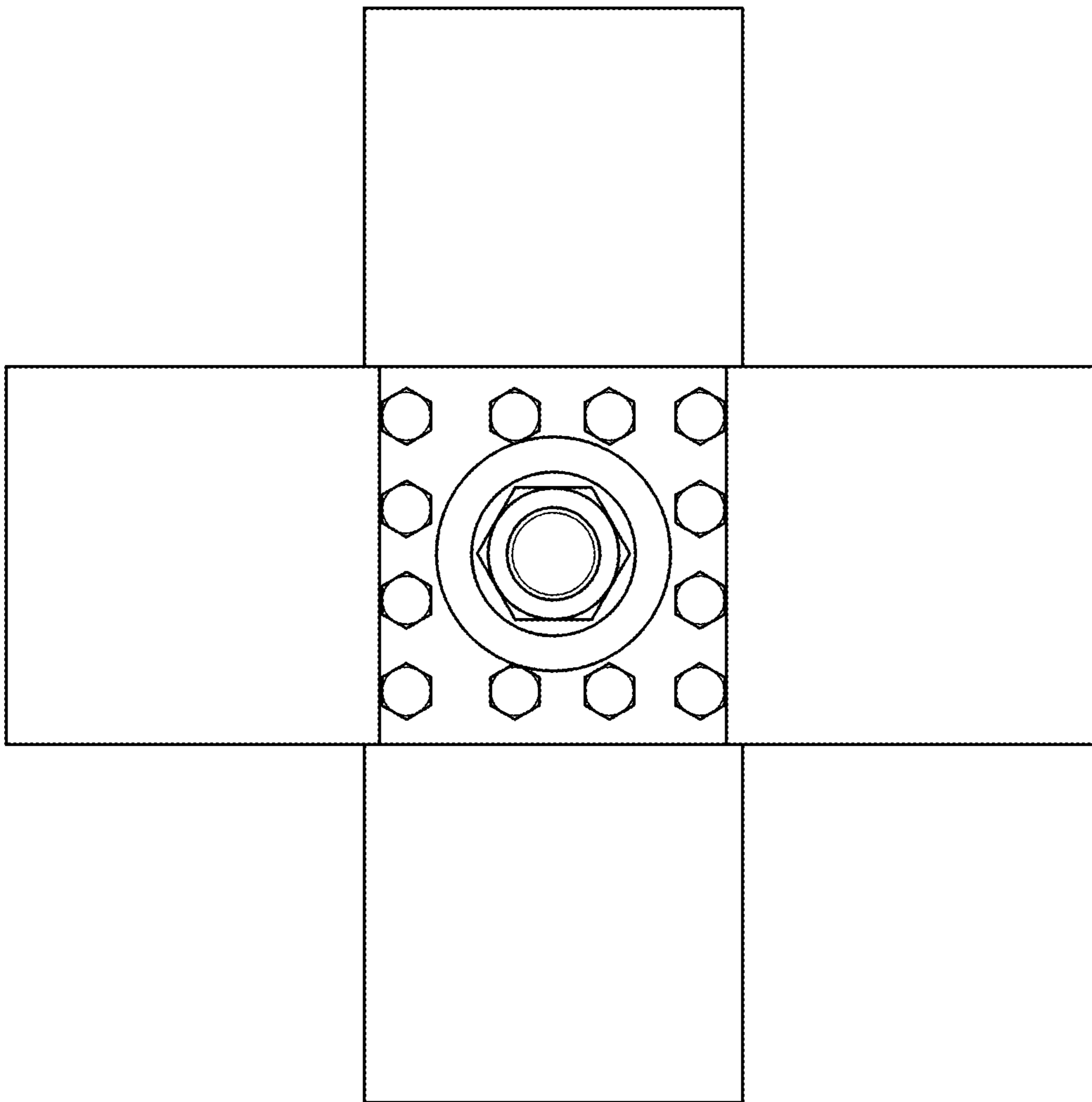


FIG. 5