



US00D883771S

(12) **United States Design Patent** (10) **Patent No.:** **US D883,771 S**
Yuan (45) **Date of Patent:** **** May 12, 2020**

(54) **OUTLET COVER WITH LED ASSEMBLY**
(71) Applicant: **Yongfeng Yuan**, Guangdong (CN)
(72) Inventor: **Yongfeng Yuan**, Guangdong (CN)
(**) Term: **15 Years**
(21) Appl. No.: **29/658,535**
(22) Filed: **Jul. 31, 2018**
(51) **LOC (12) Cl.** **11-05**
(52) **U.S. Cl.**
USPC **D8/353**
(58) **Field of Classification Search**
USPC D26/24, 26, 27, 28, 30, 31, 118, 2, 73,
D26/74, 75, 37-50, 35, 36, 61, 62-64, 66,
D26/71, 76, 78; D13/125, 169, 170, 177,
D13/137.1-137.3, 138.2, 139.1, 139.3,
D13/139.8; D8/16, 19, 350-353, 364,
D8/366, 499, 380, 381
CPC F21S 48/20; F21S 48/215; F21S 48/2218;
H02G 3/14; H02G 3/081; H01R 31/06;
H01R 13/447; H01R 13/717; H01H 9/16;
H01H 9/18; H01H 23/04; H05B 37/0227;
H05B 37/0218; H05B 33/0803
See application file for complete search history.

6,087,588 A * 7/2000 Soules H01H 9/185
174/66
D523,733 S * 6/2006 Atkinson D8/353
D576,866 S * 9/2008 Kidman D8/353
D577,985 S * 10/2008 Kidman D8/353
D638,281 S * 5/2011 Weymouth D8/353
D639,141 S * 6/2011 Chen D8/353
8,912,442 B2 * 12/2014 Smith H02G 3/14
9,608,423 B1 * 3/2017 Rohmer H02G 3/0406
D821,179 S * 6/2018 Exley D8/353
D830,116 S * 10/2018 Seiders D7/388
D845,108 S * 4/2019 Knight D8/353
D847,608 S * 5/2019 Knight D8/353
D849,510 S * 5/2019 Knight D8/353
D849,511 S * 5/2019 Knight D8/353
D849,512 S * 5/2019 Knight D8/353
D861,458 S * 10/2019 Baldwin D8/350
2014/0246218 A1 * 9/2014 Shotey H02G 3/14
174/66

* cited by examiner

Primary Examiner — Mark A Goodwin
Assistant Examiner — Benjamin M Weeks
(74) *Attorney, Agent, or Firm* — Justin Lampel

(57) **CLAIM**

The ornamental design for an outlet cover with LED assembly, as shown and described.

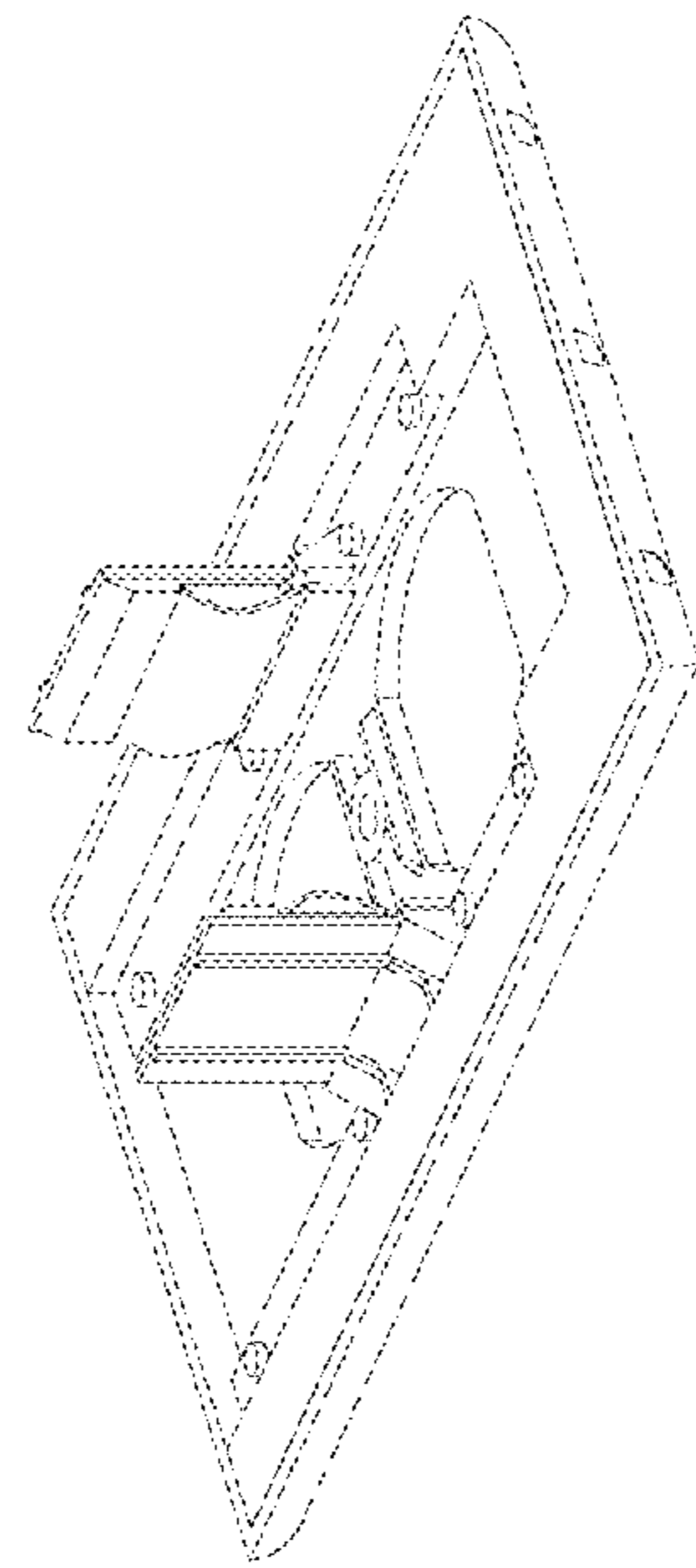
(56) **References Cited**

U.S. PATENT DOCUMENTS
4,228,317 A * 10/1980 Cziment H01R 13/447
174/67
4,774,641 A * 9/1988 Rice F21S 8/035
174/66
5,481,442 A * 1/1996 Dickie F21S 8/035
362/290
5,683,166 A * 11/1997 Lutzker H05B 33/06
250/466.1
5,727,958 A * 3/1998 Chen H01R 13/447
174/67

DESCRIPTION

FIG. 1 is a perspective view of an outlet cover with LED assembly showing my new design;
FIG. 2 is a front side view thereof;
FIG. 3 is a rear side view thereof;
FIG. 4 is a right side view thereof;
FIG. 5 is a left side view thereof;
FIG. 6 is a bottom plan view thereof; and,
FIG. 7 is a top plan view thereof.

1 Claim, 7 Drawing Sheets



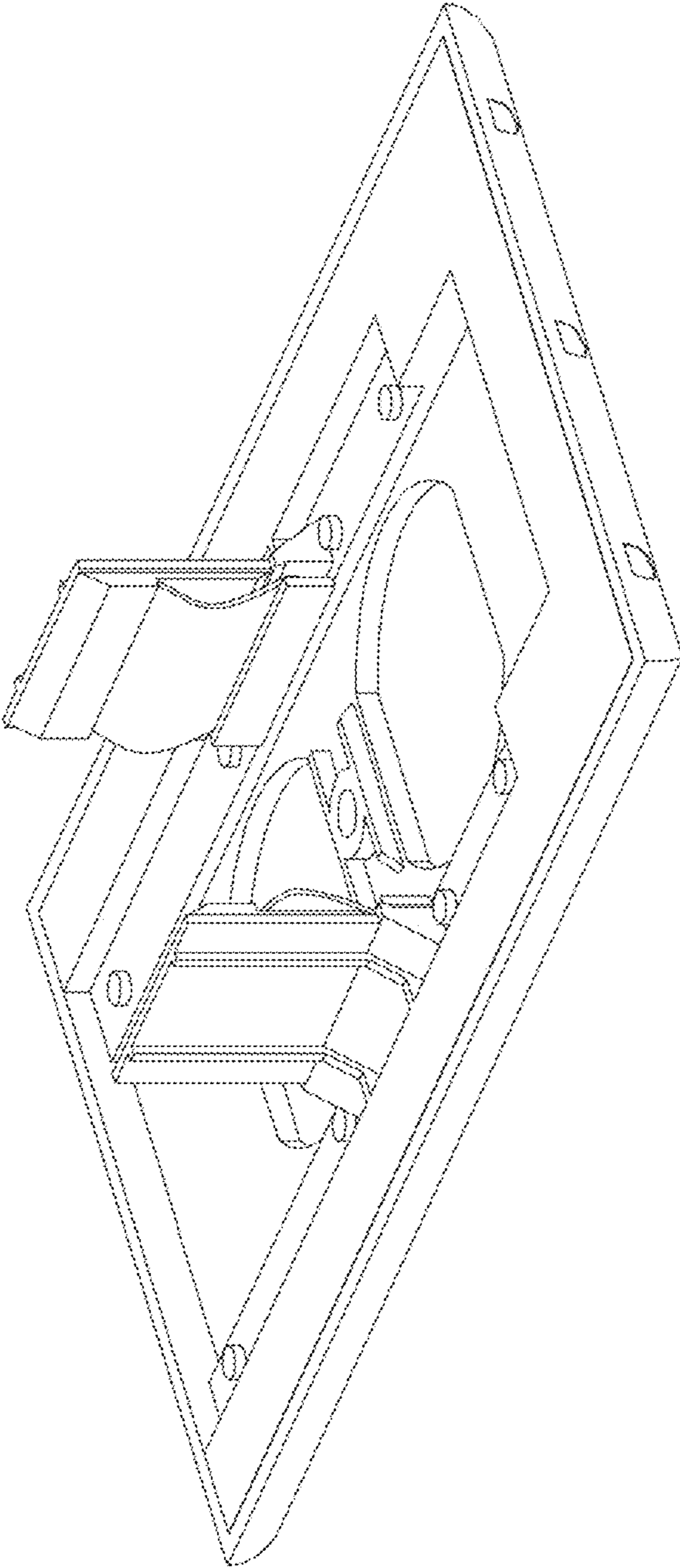


FIG. 1

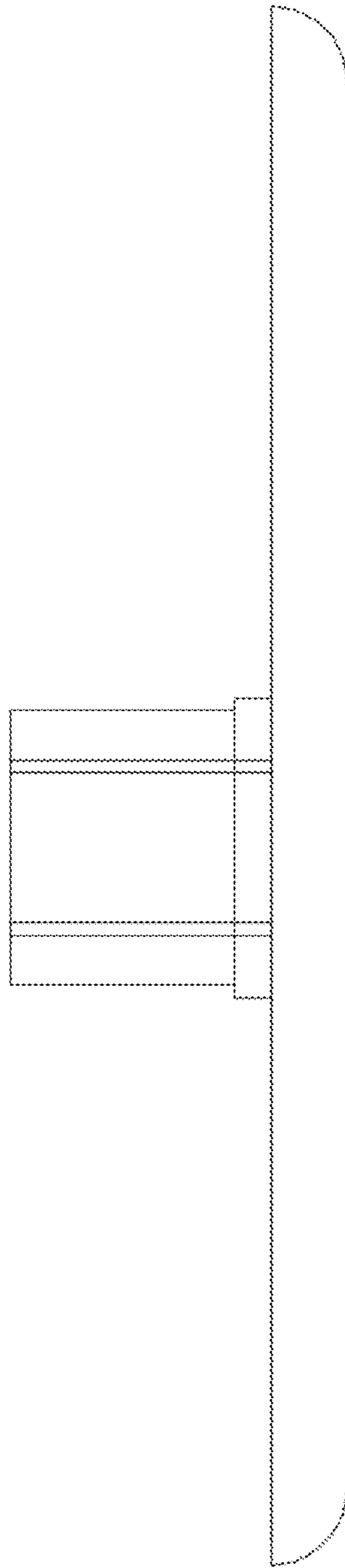


FIG. 2

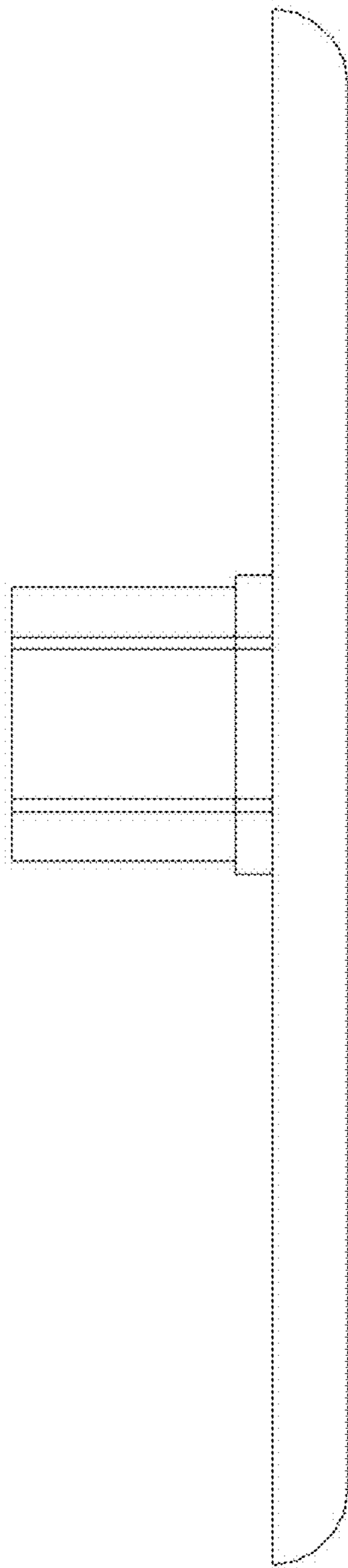


FIG.3

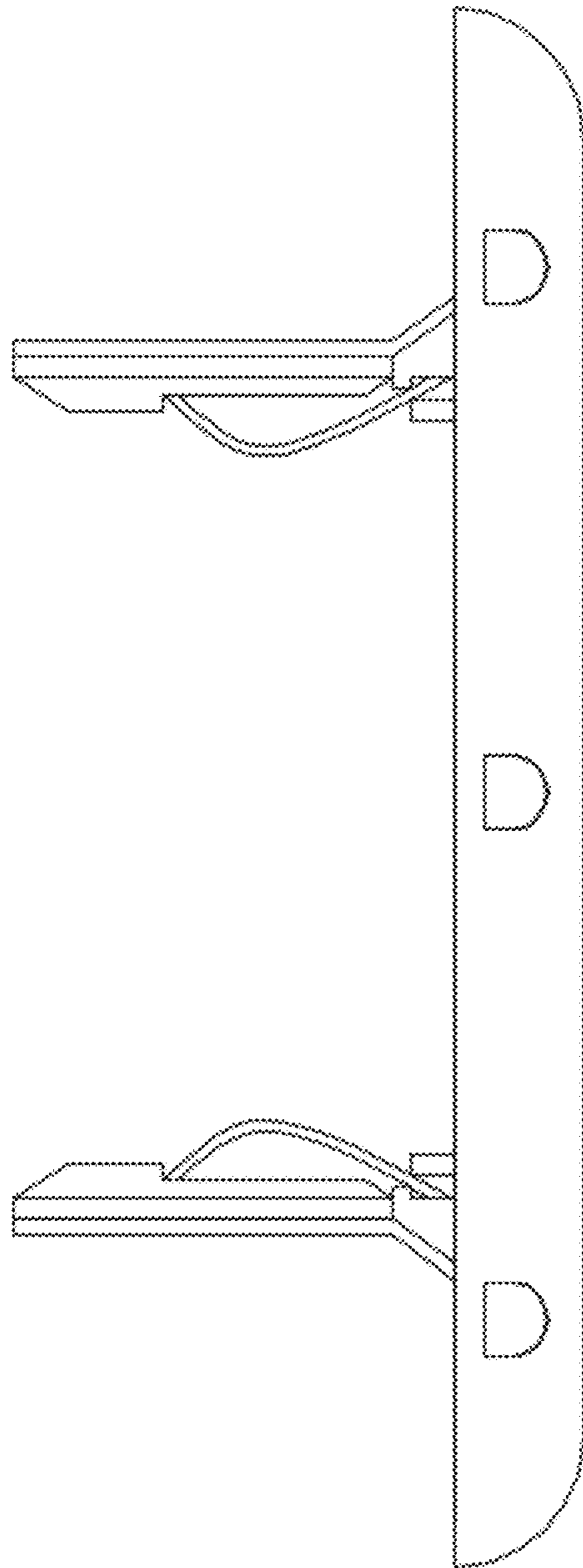


FIG.4

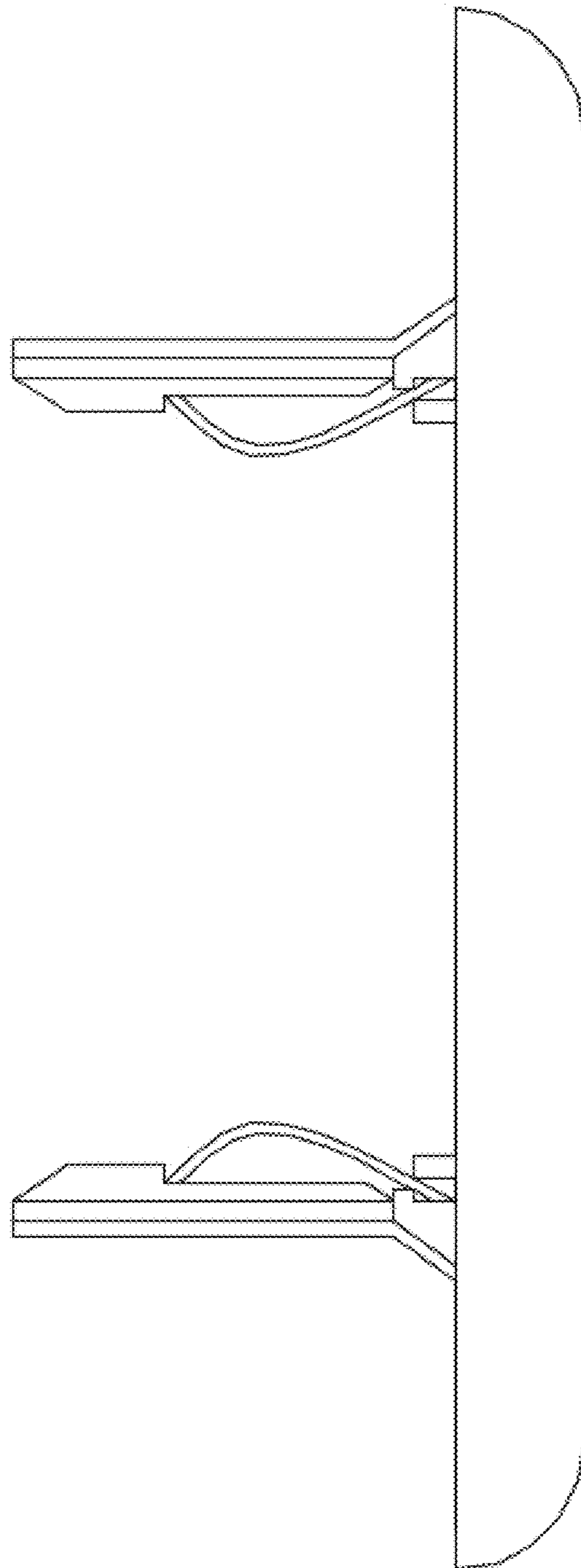


FIG.5

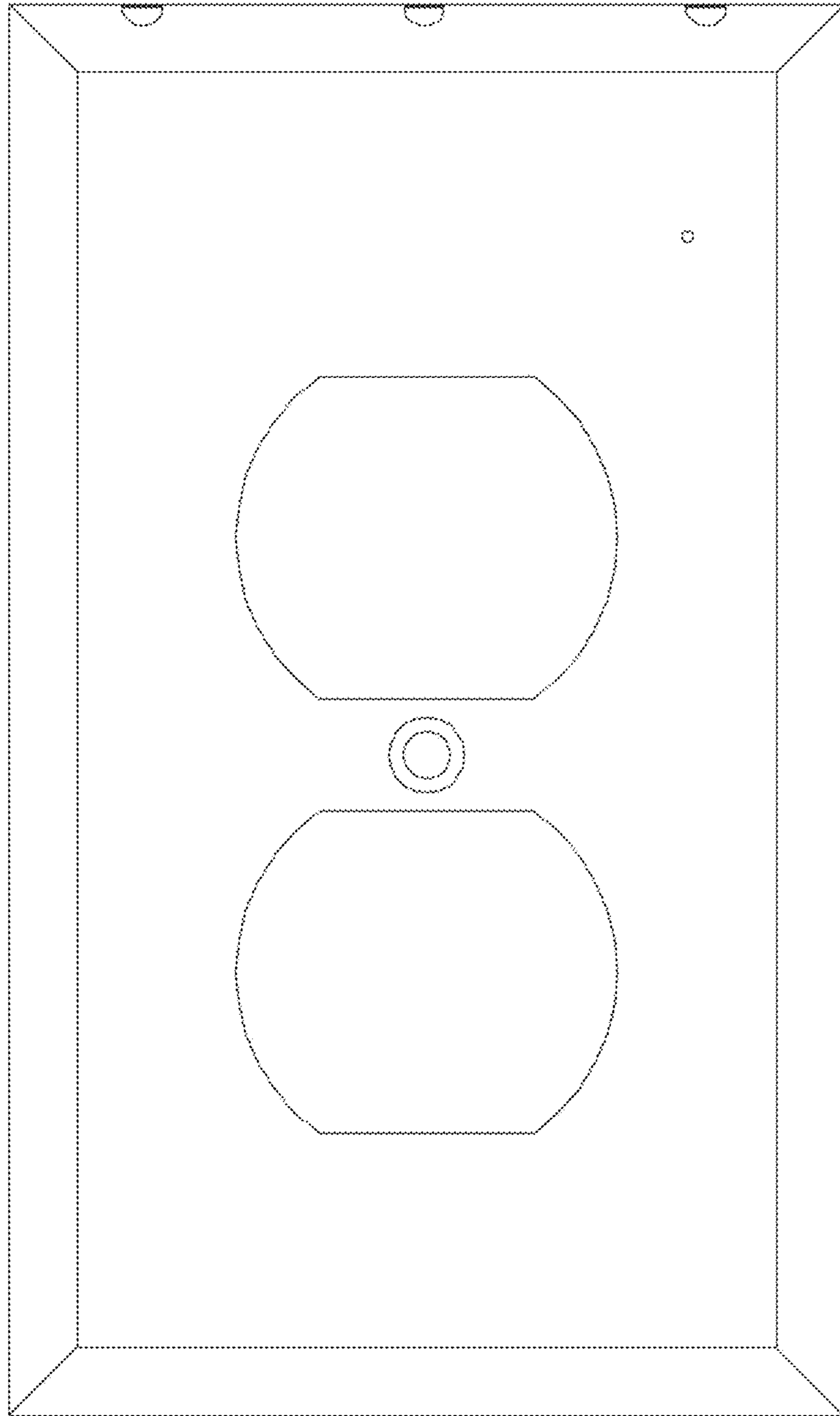


FIG. 6

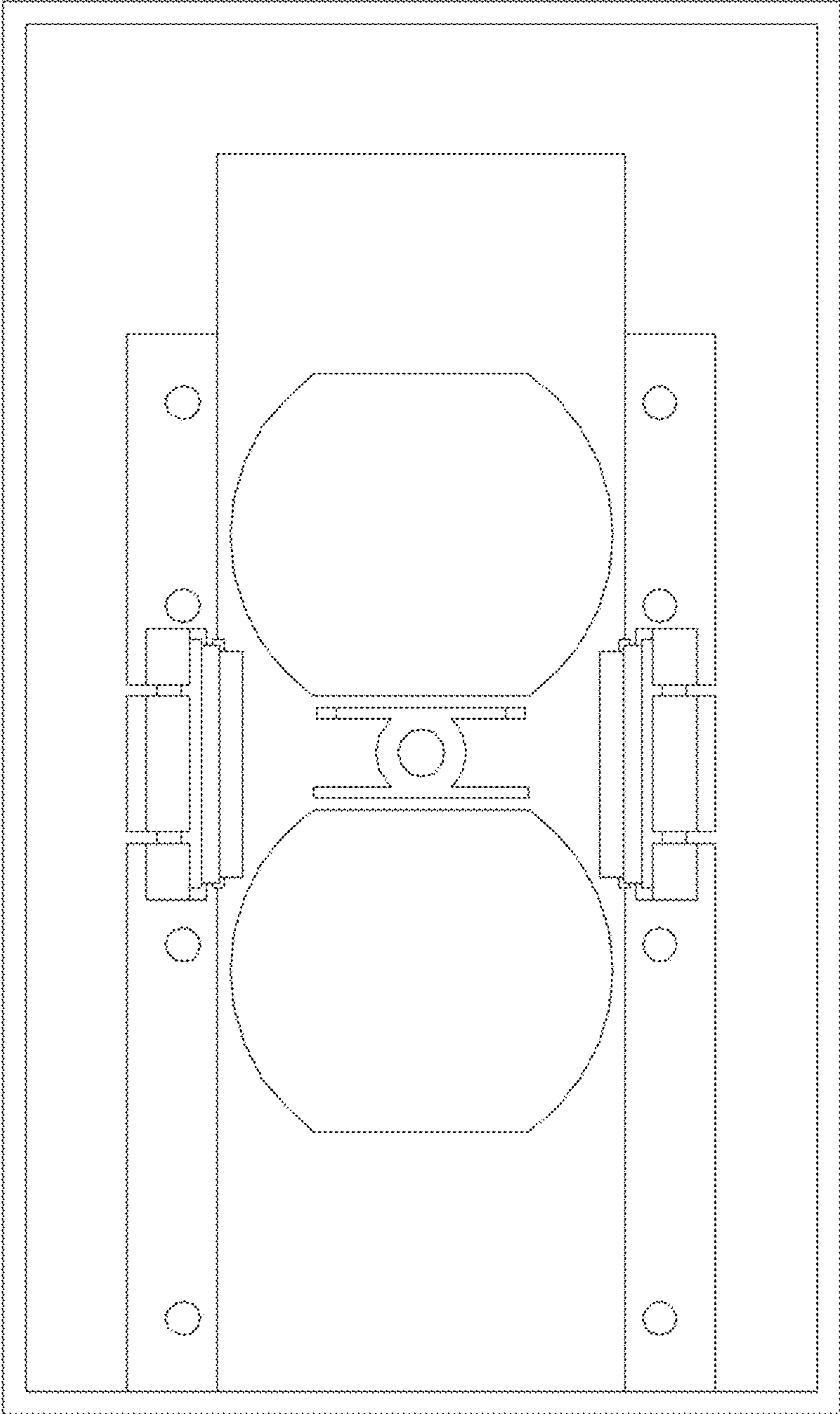


FIG. 7