



US00D883770S

(12) **United States Design Patent**
Zimmerman

(10) **Patent No.:** **US D883,770 S**

(45) **Date of Patent:** **** May 12, 2020**

(54) **DIRECTIONAL LIGHT MOUNT**

2012/0139484 A1* 6/2012 Gunderman H02J 7/0044
320/108

(71) Applicant: **Todd Zimmerman**, Highland, CA (US)

* cited by examiner

(72) Inventor: **Todd Zimmerman**, Highland, CA (US)

Primary Examiner — Mark A Goodwin

Assistant Examiner — Benjamin M Weeks

(**) Term: **15 Years**

(74) *Attorney, Agent, or Firm* — Loza & Loza, LLP;
Michael I. Angert

(21) Appl. No.: **29/640,321**

(57) **CLAIM**

(22) Filed: **Mar. 13, 2018**

The ornamental design for a directional light mount, as shown and described.

(51) **LOC (12) Cl.** **08-08**

(52) **U.S. Cl.**
USPC **D8/349**

DESCRIPTION

(58) **Field of Classification Search**

USPC D13/152, 156; D8/349, 353, 330, 331,
D8/336, 338, 339, 340, 343, 350–352,
D8/300, 301
CPC G05B 19/00; G05B 15/00; E05B 49/00;
E05B 49/02; E05B 9/00; E05B 17/00;
E05B 37/00; E05B 3/00; E05B 13/103;
E05B 1/00; E05B 47/00

FIG. 1 is a top, rear and left side perspective of the directional light mount in an unclaimed environment, according to the present invention.

FIG. 2 is a top, rear and left side perspective of the directional light mount of FIG. 1;

FIG. 3 is a left side elevation view of the directional light mount of FIG. 1;

FIG. 4 is a right side elevation view of the directional light mount of FIG. 1;

FIG. 5 is a front elevation view of the directional light mount of FIG. 1;

FIG. 6 is a rear elevation view of the directional light mount of FIG. 1;

FIG. 7 is a top plan view of the directional light mount of FIG. 1; and,

FIG. 8 is a bottom plan view of the directional light mount of FIG. 1.

The broken lines represent portions of directional light mount that form no part of the claimed design.

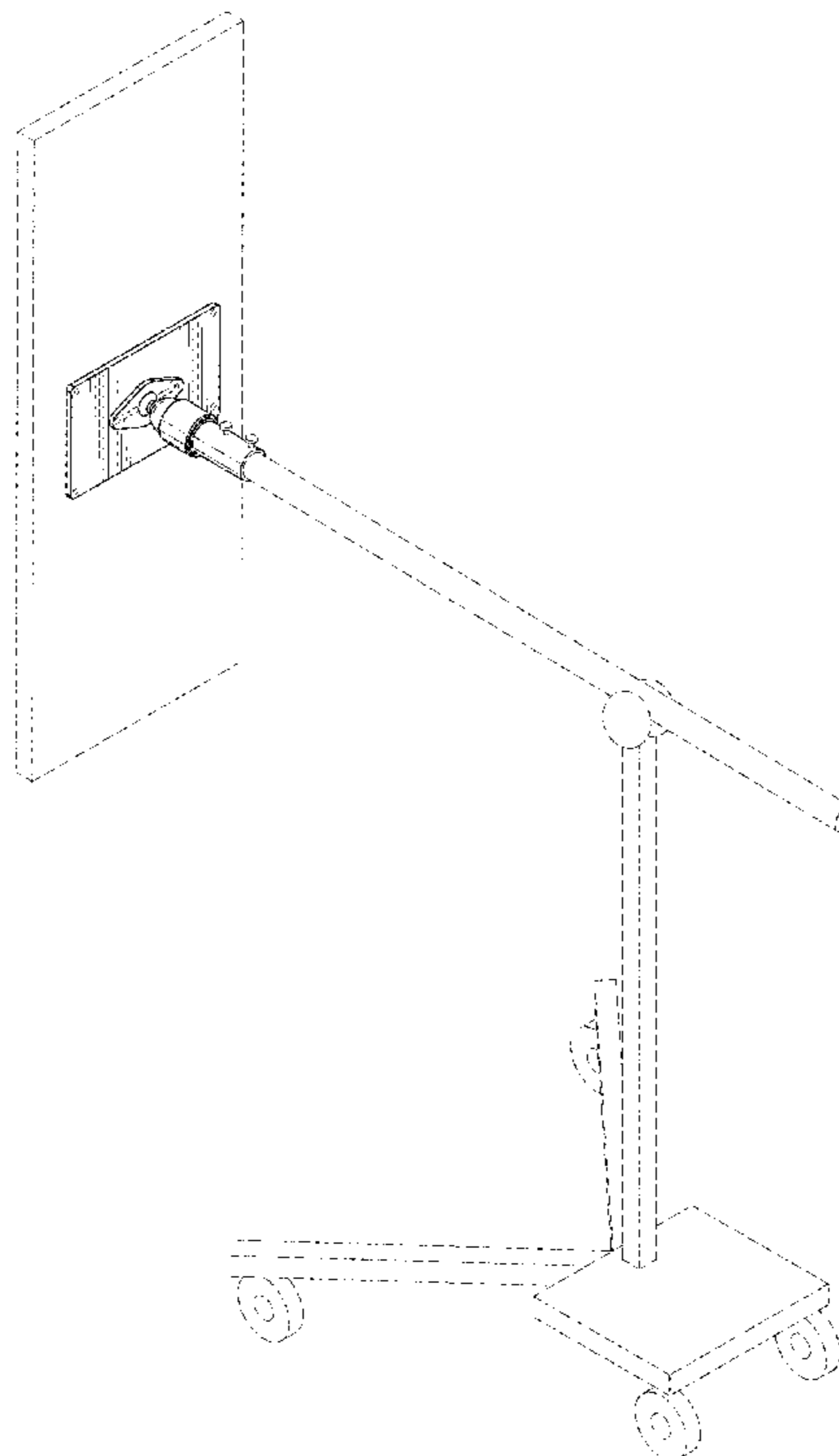
See application file for complete search history.

(56) **References Cited**

U.S. PATENT DOCUMENTS

D120,972 S *	6/1940	Desser	D6/550
D173,629 S *	12/1954	Schlage	D8/353
D209,142 S *	11/1967	Carlson	D8/353
D326,382 S *	5/1992	Ko	D6/550
D416,469 S *	11/1999	Lentz	D8/349
D498,377 S *	11/2004	Pan	D6/524
D500,934 S *	1/2005	Petersen-Rutten	D6/523
D517,899 S *	3/2006	Pan	D8/353
D750,466 S *	3/2016	McCoy	D8/353

1 Claim, 5 Drawing Sheets



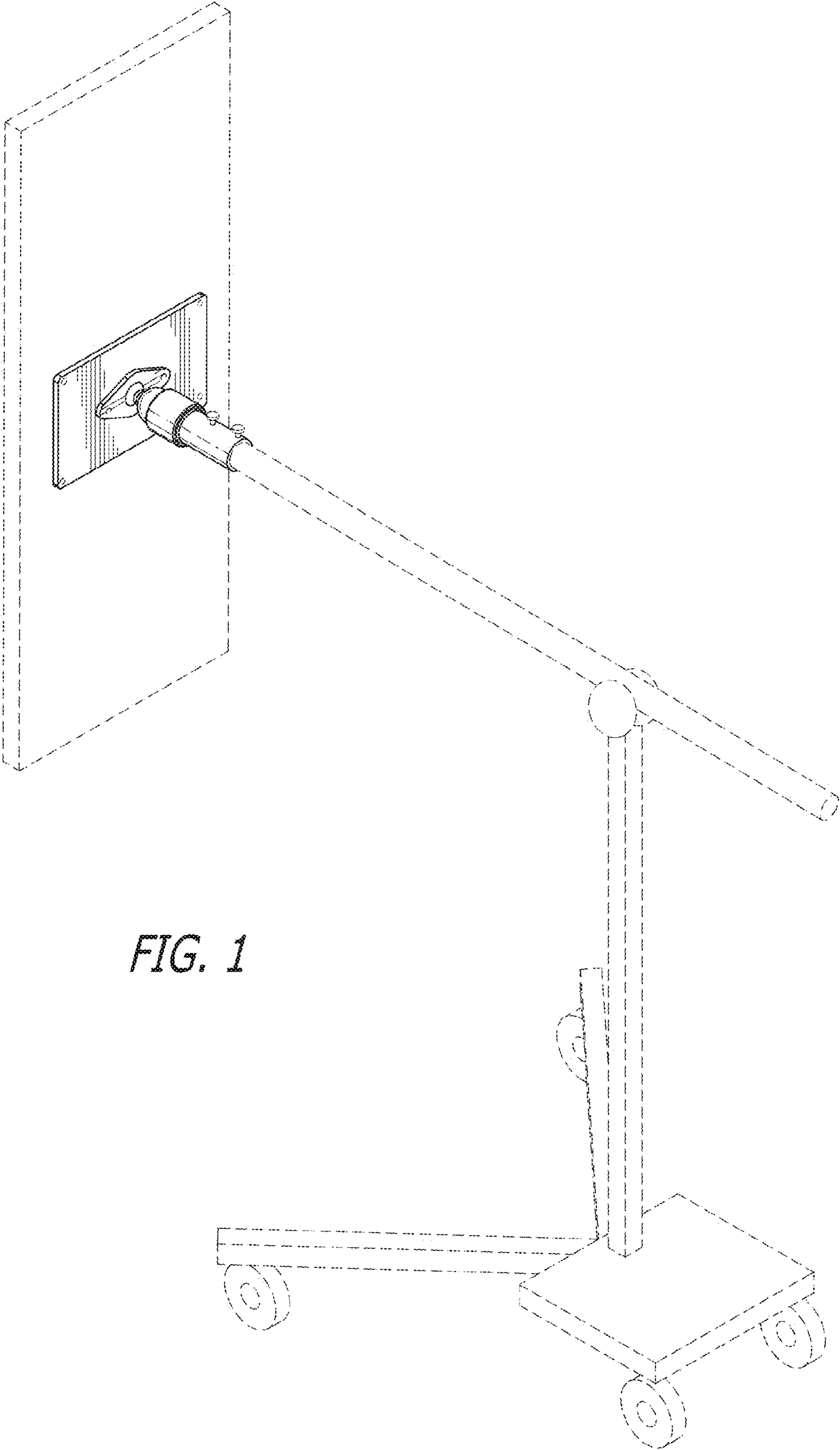


FIG. 1

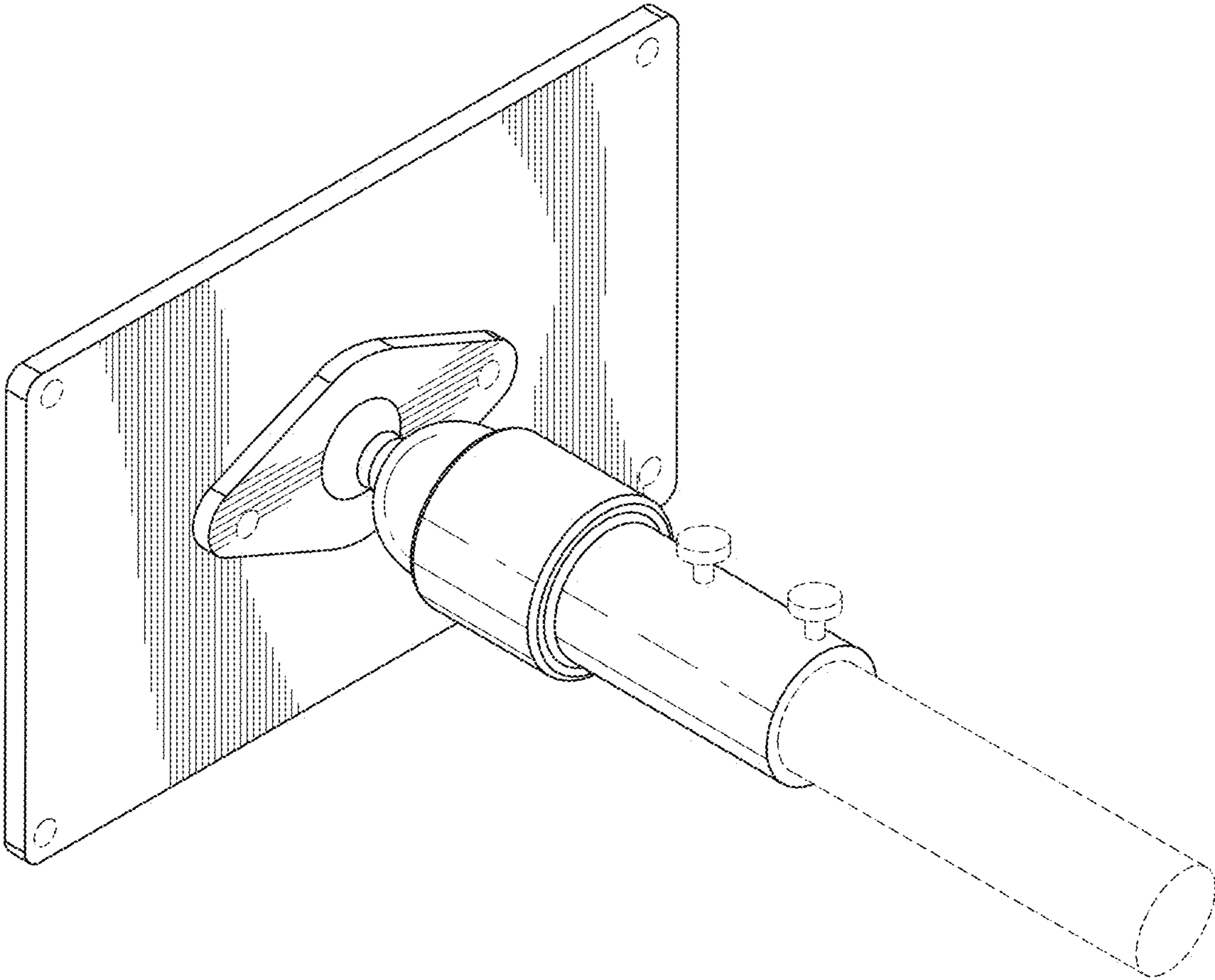
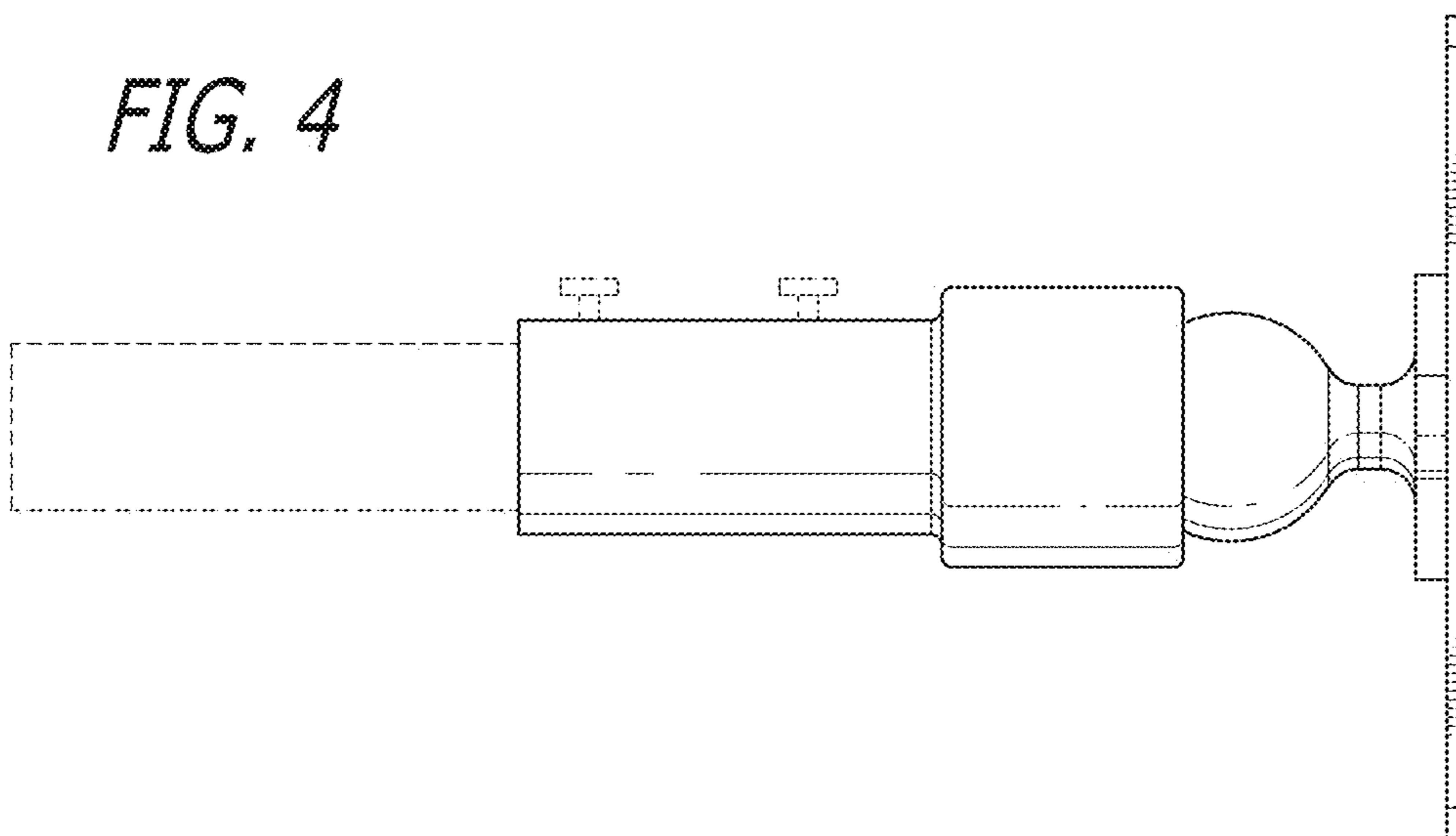
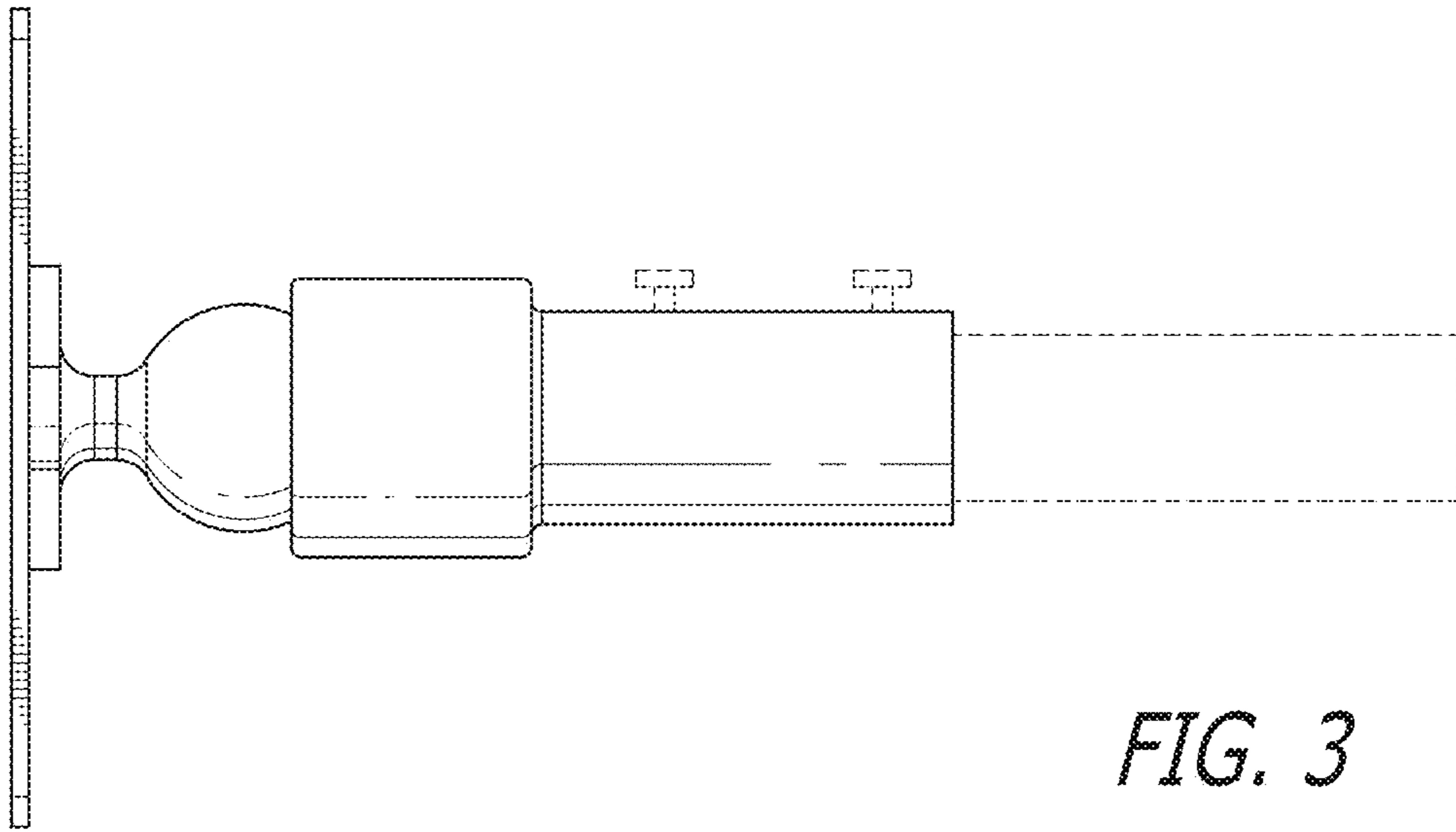


FIG. 2



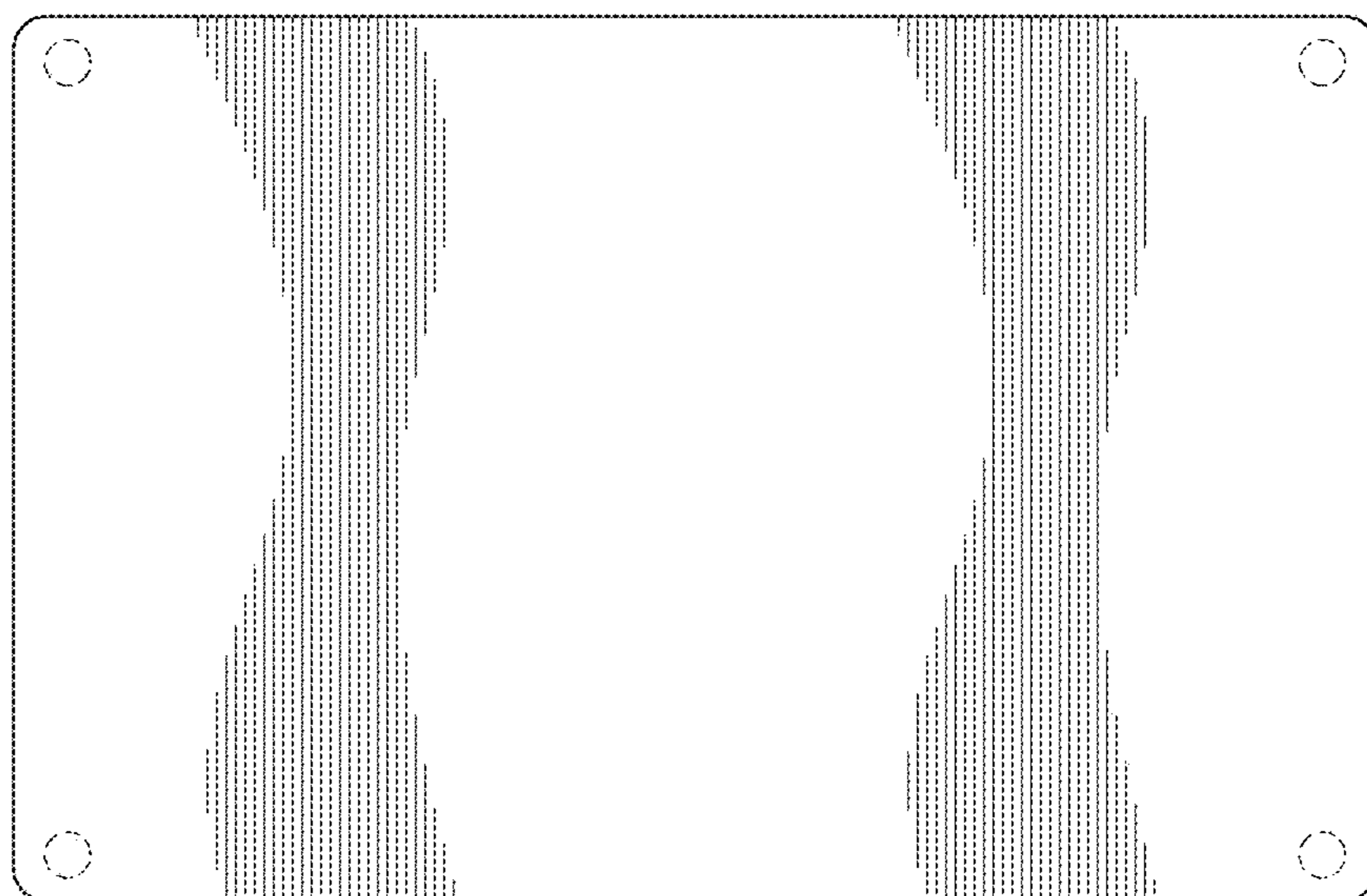


FIG. 5

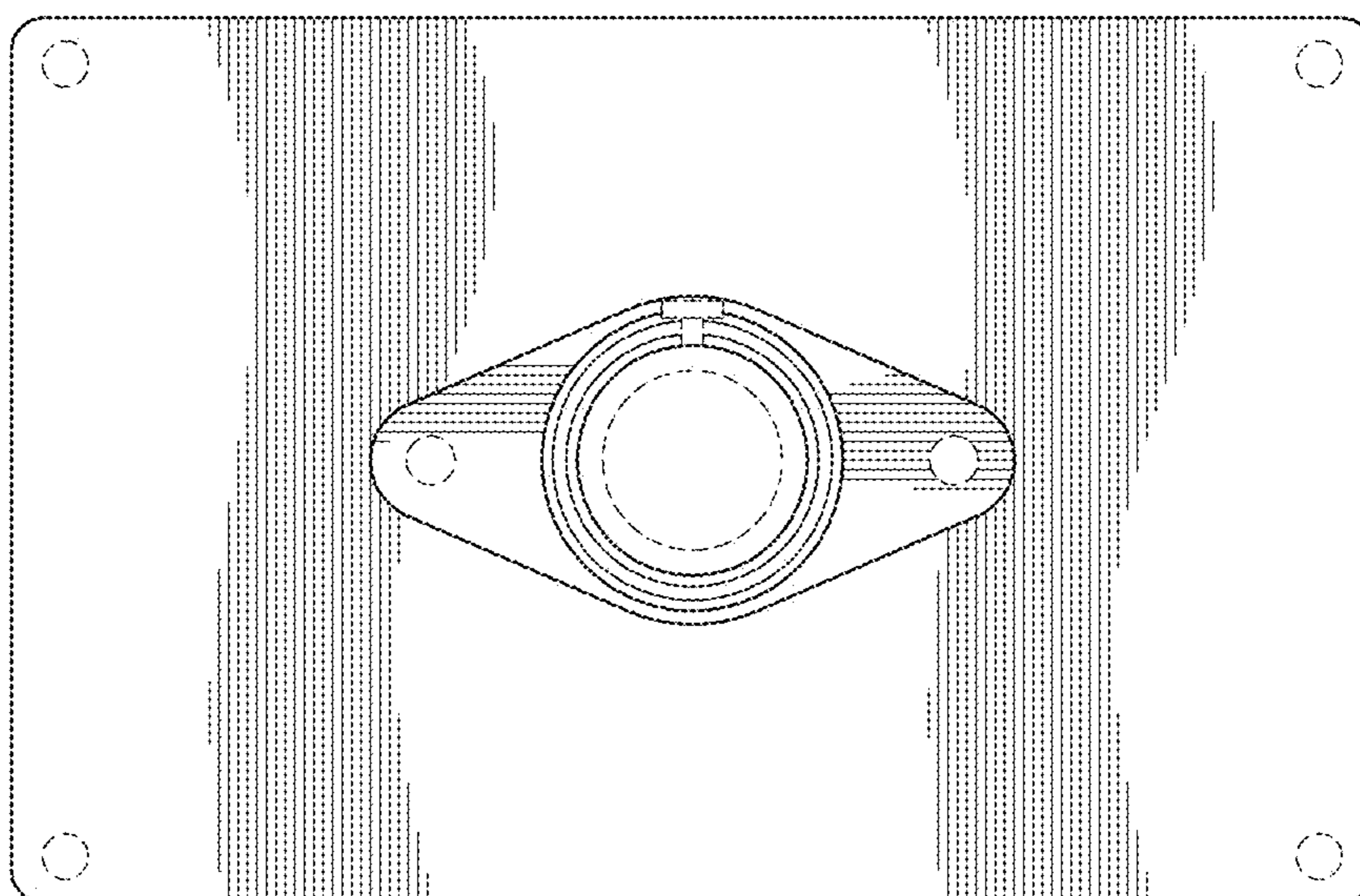


FIG. 6

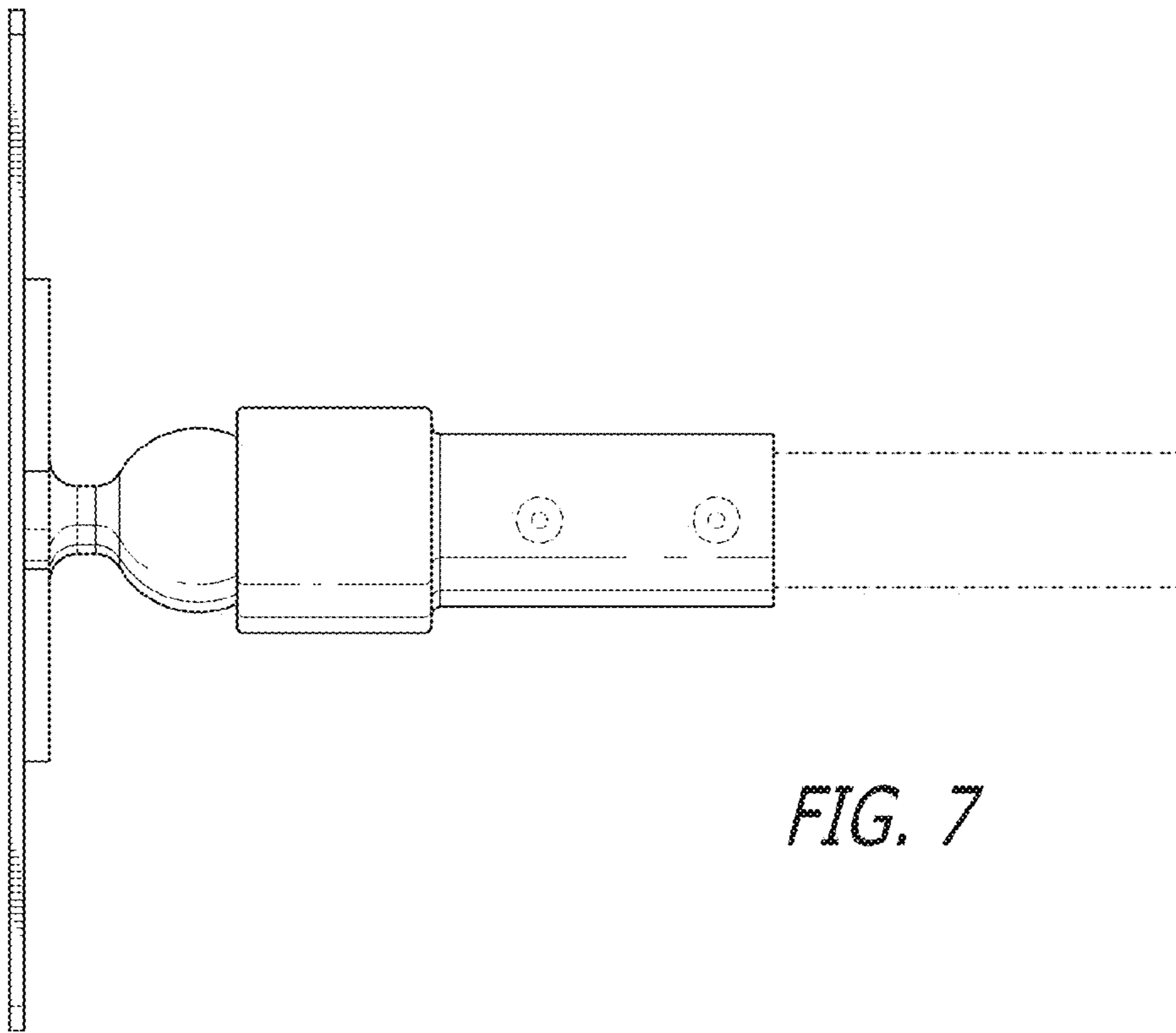


FIG. 7

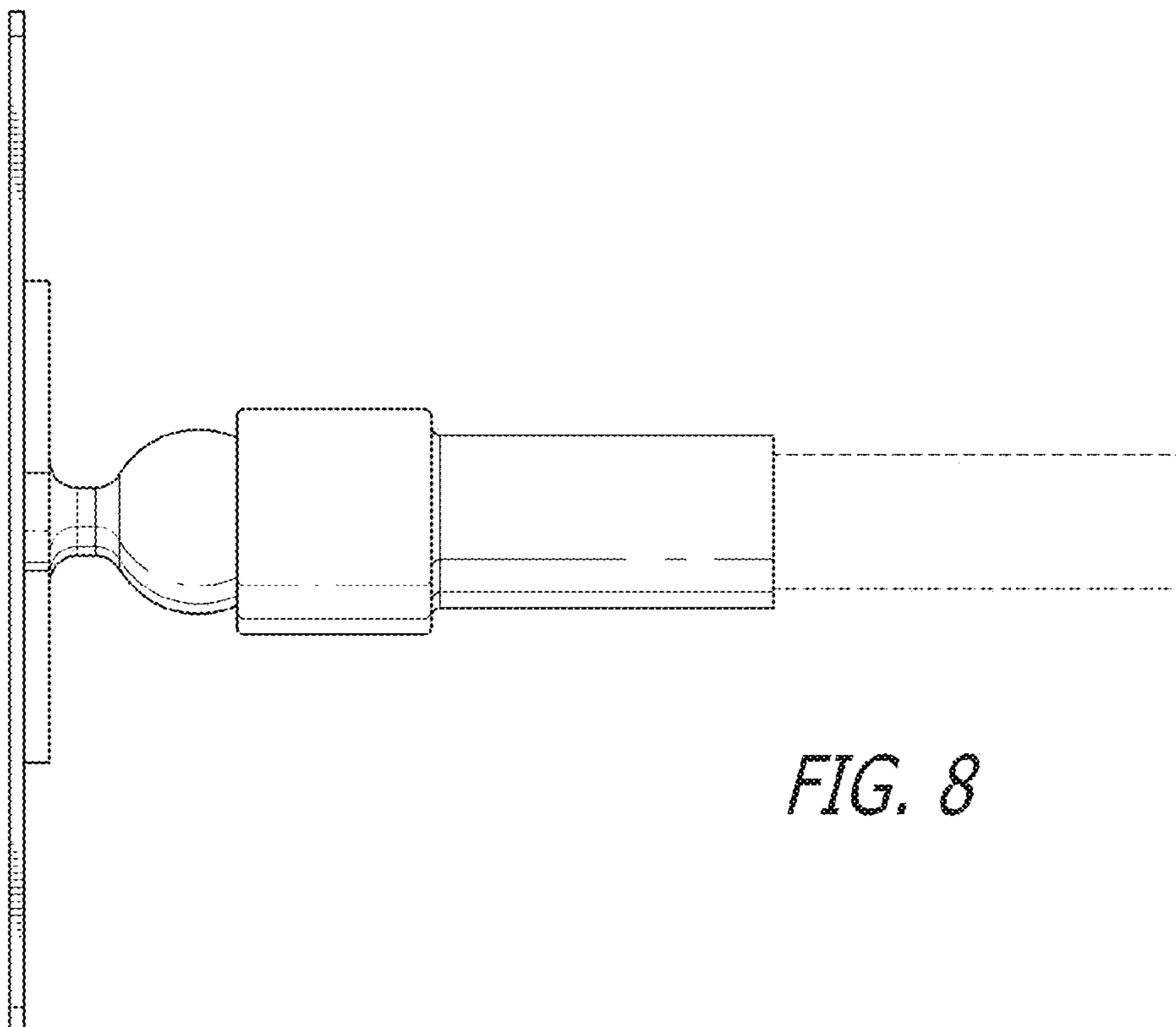


FIG. 8