



US00D883764S

(12) **United States Design Patent**  
**Schiavone**

(10) **Patent No.:** **US D883,764 S**

(45) **Date of Patent:** **\*\* May 12, 2020**

(54) **ADJUSTABLE LABELING APPARATUS FOR BOTTLES AND JARS**

(71) Applicant: **John Schiavone**, Canton, OH (US)

(72) Inventor: **John Schiavone**, Canton, OH (US)

(\*\*) Term: **15 Years**

(21) Appl. No.: **29/666,408**

(22) Filed: **Oct. 12, 2018**

(51) **LOC (12) Cl.** ..... **08-05**

(52) **U.S. Cl.**  
USPC ..... **D8/71**

(58) **Field of Classification Search**  
USPC ..... D8/14, 51, 71, 354, 349; D10/71, 46.2,  
D10/46; D6/518, 512, 513, 567  
CPC ..... E01C 23/18; E01C 23/185; B25H 37/00;  
B65H 35/0033  
See application file for complete search history.

(56) **References Cited**

**U.S. PATENT DOCUMENTS**

- 4,285,449 A \* 8/1981 Campos ..... B65D 71/0003  
206/427
- D268,045 S \* 2/1983 Lemmeyer ..... D18/14
- 5,381,907 A \* 1/1995 Stukuls ..... A47F 7/28  
211/194
- 5,873,171 A \* 2/1999 Hsu ..... B43L 7/005  
33/456
- 6,594,939 B2 \* 7/2003 Ondusko ..... A01K 97/00  
33/464

- 6,765,155 B1 \* 7/2004 Gray ..... G01B 3/04  
177/148
- 7,207,132 B1 \* 4/2007 Parsons ..... A01K 97/045  
43/4
- D673,066 S \* 12/2012 Pedersen ..... D10/71

\* cited by examiner

*Primary Examiner* — Philip S Hyder

(74) *Attorney, Agent, or Firm* — Gulf Coast Intellectual Property Group

(57) **CLAIM**

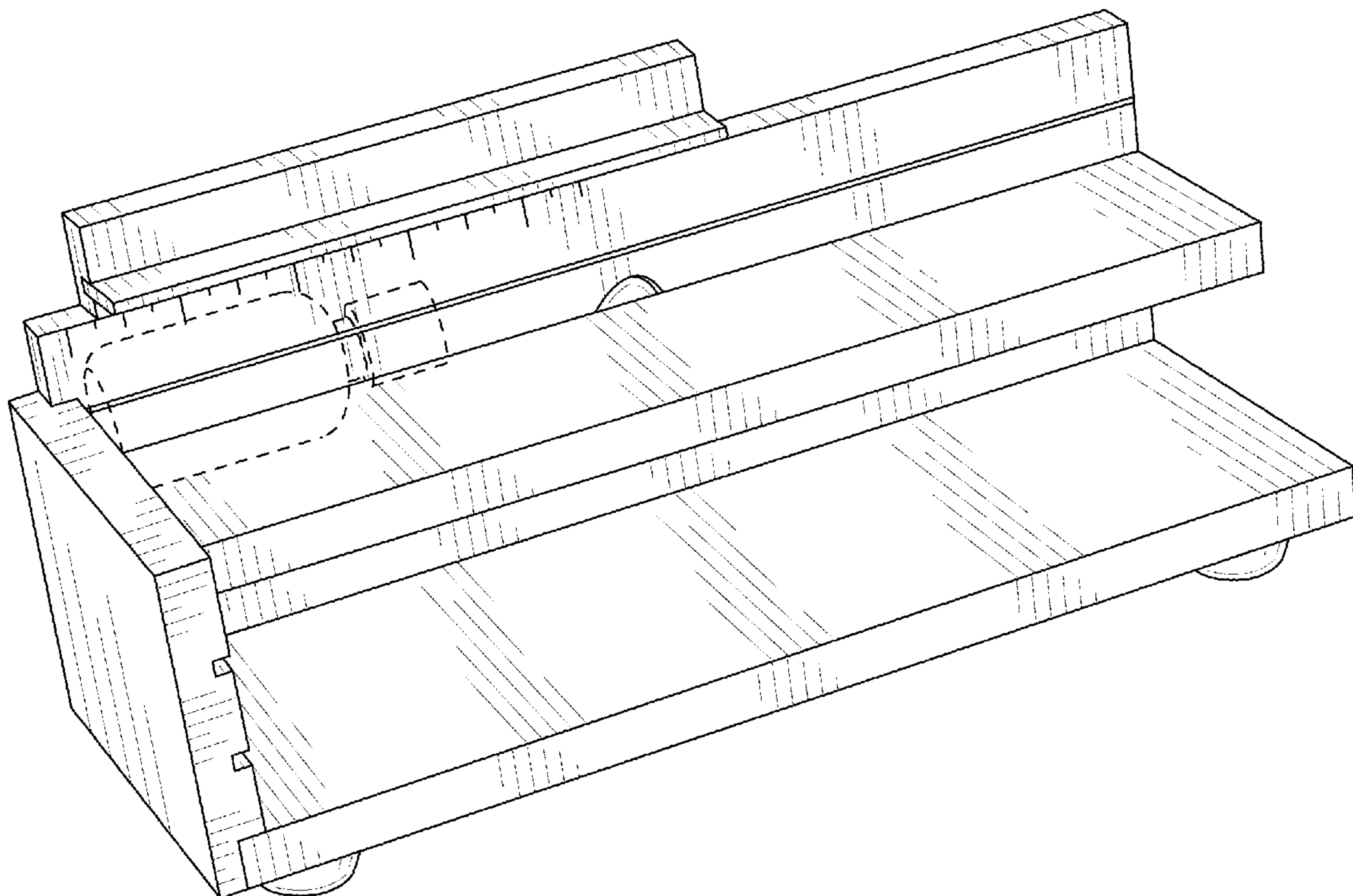
The ornamental design for the adjustable labeling apparatus for bottles and jars, as shown and described.

**DESCRIPTION**

FIG. 1 is a front perspective view of the adjustable labeling apparatus for bottles and jars of present invention; FIG. 2 is a front elevation view thereof; FIG. 3 is a rear elevation view thereof, wherein several components are in alternate positions; FIG. 4 is a right end view thereof; FIG. 5 is left end view thereof; and, FIG. 6 is a top view of the present invention.

The broken line showing of the bottle is provided for purposes of environment and forms no part of the claimed design. The areas of the adjustable labeling apparatus for bottles and jars that is shown in broken line form are not considered part of the claimed design.

**1 Claim, 5 Drawing Sheets**



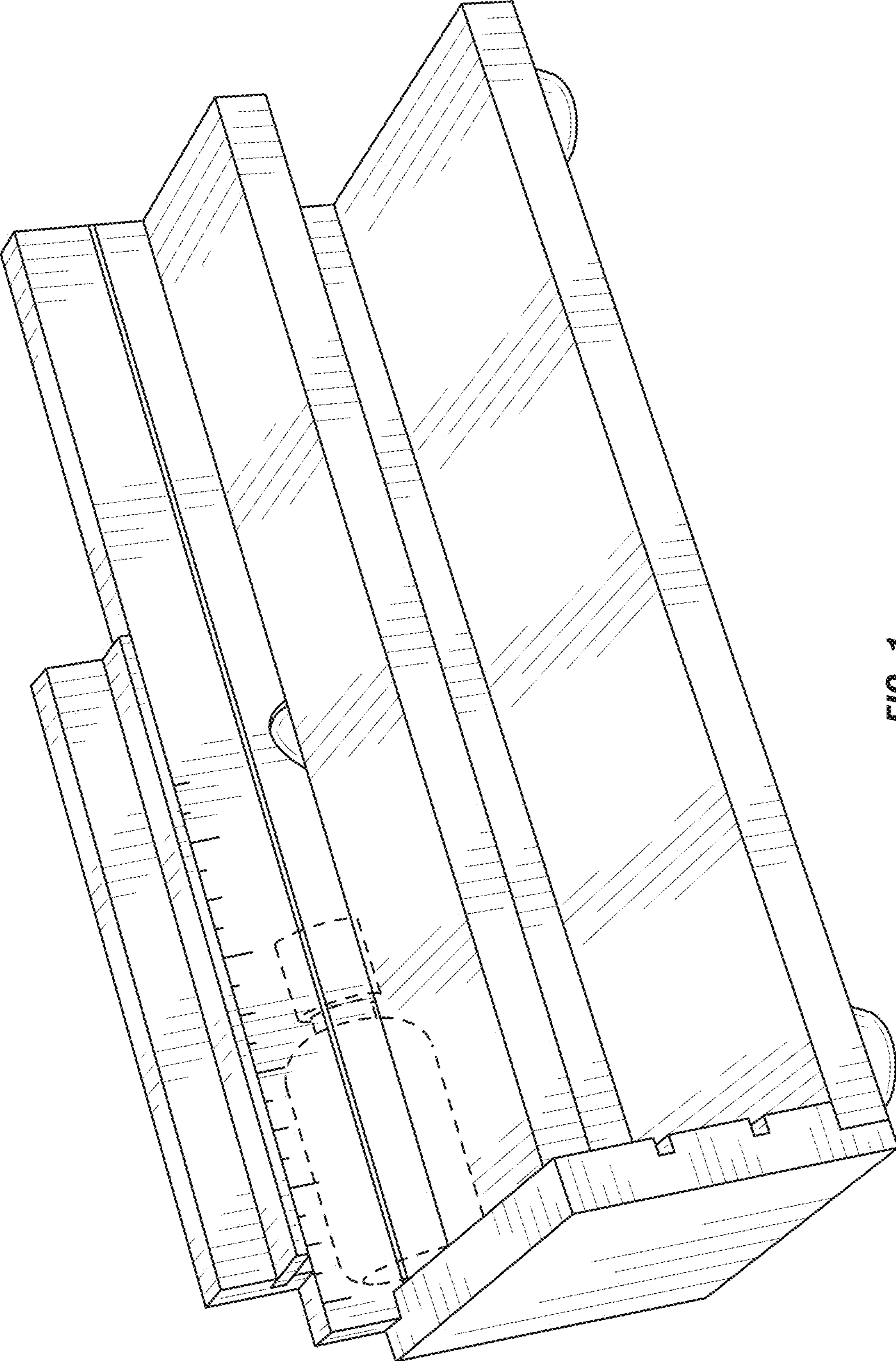


FIG. 1

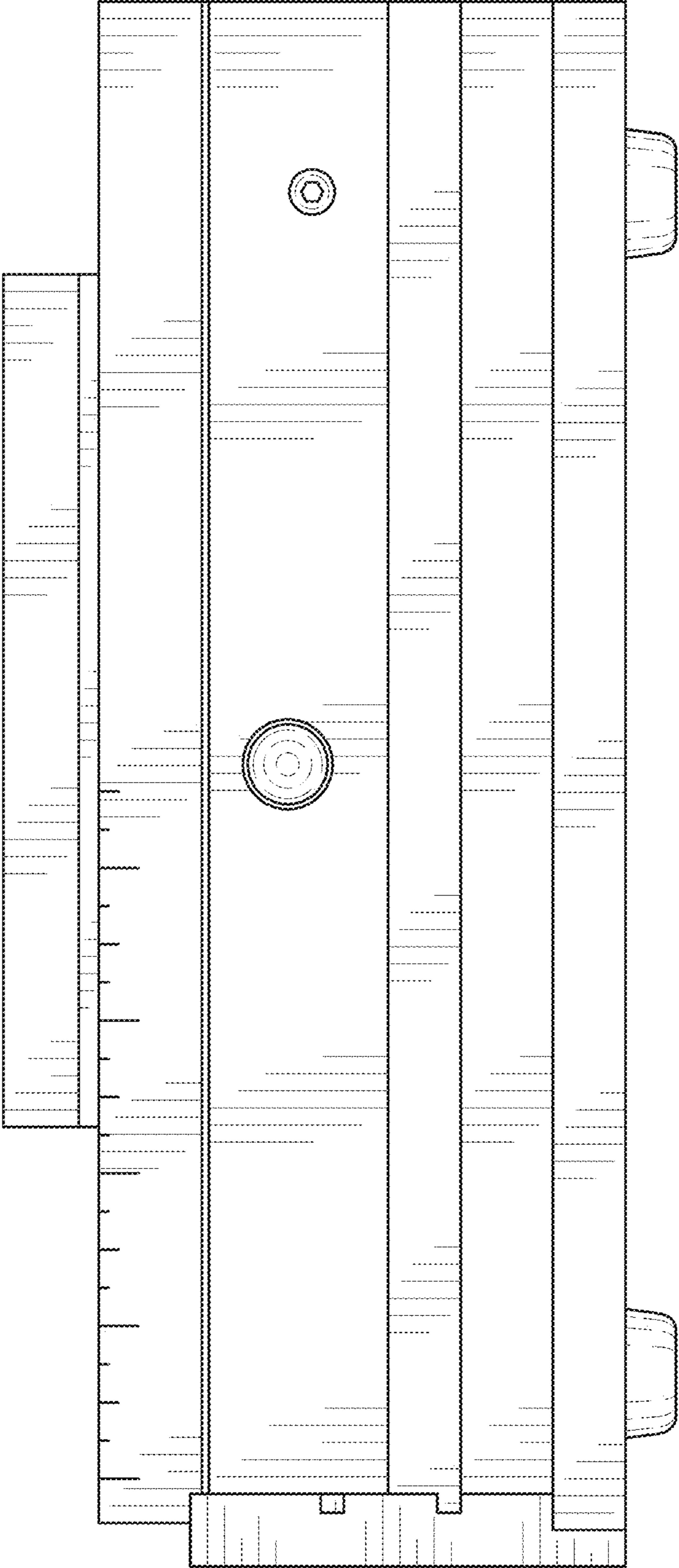


FIG. 2

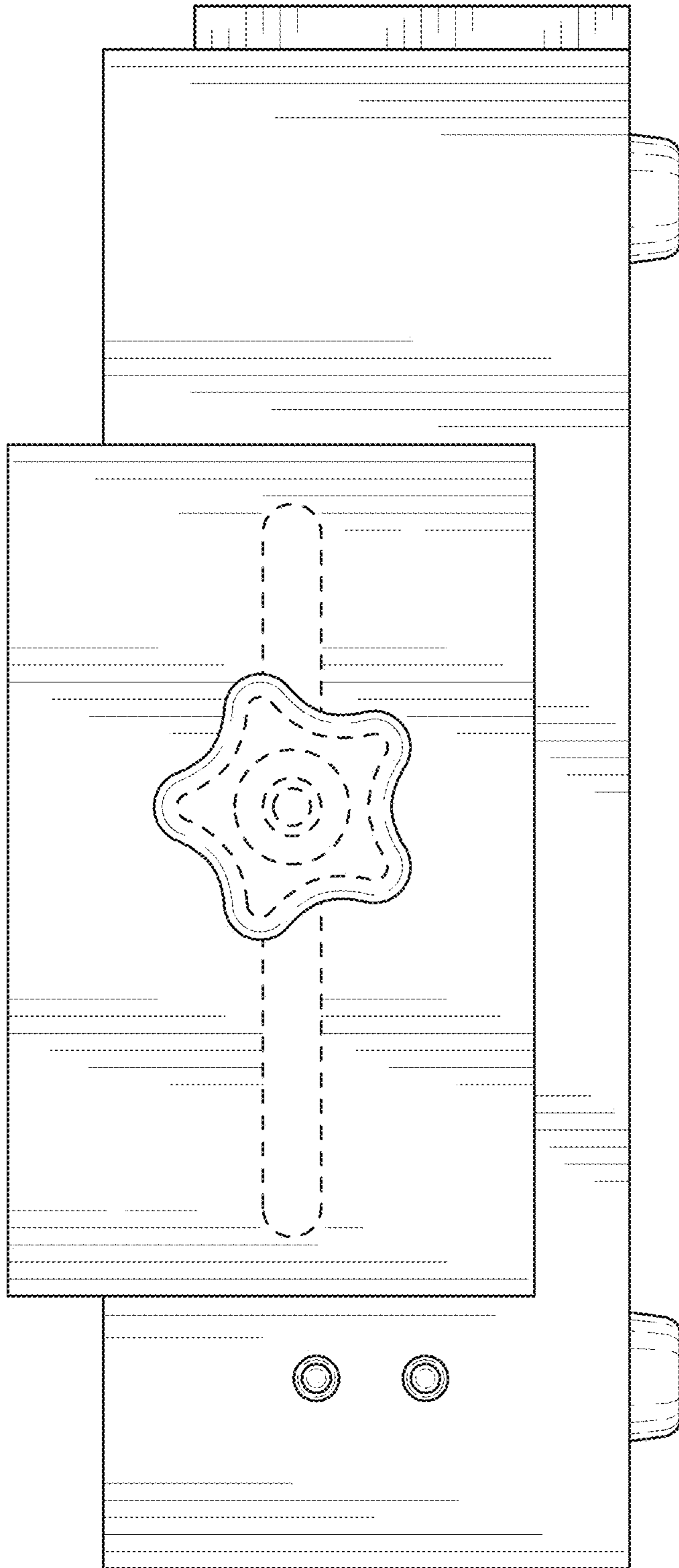
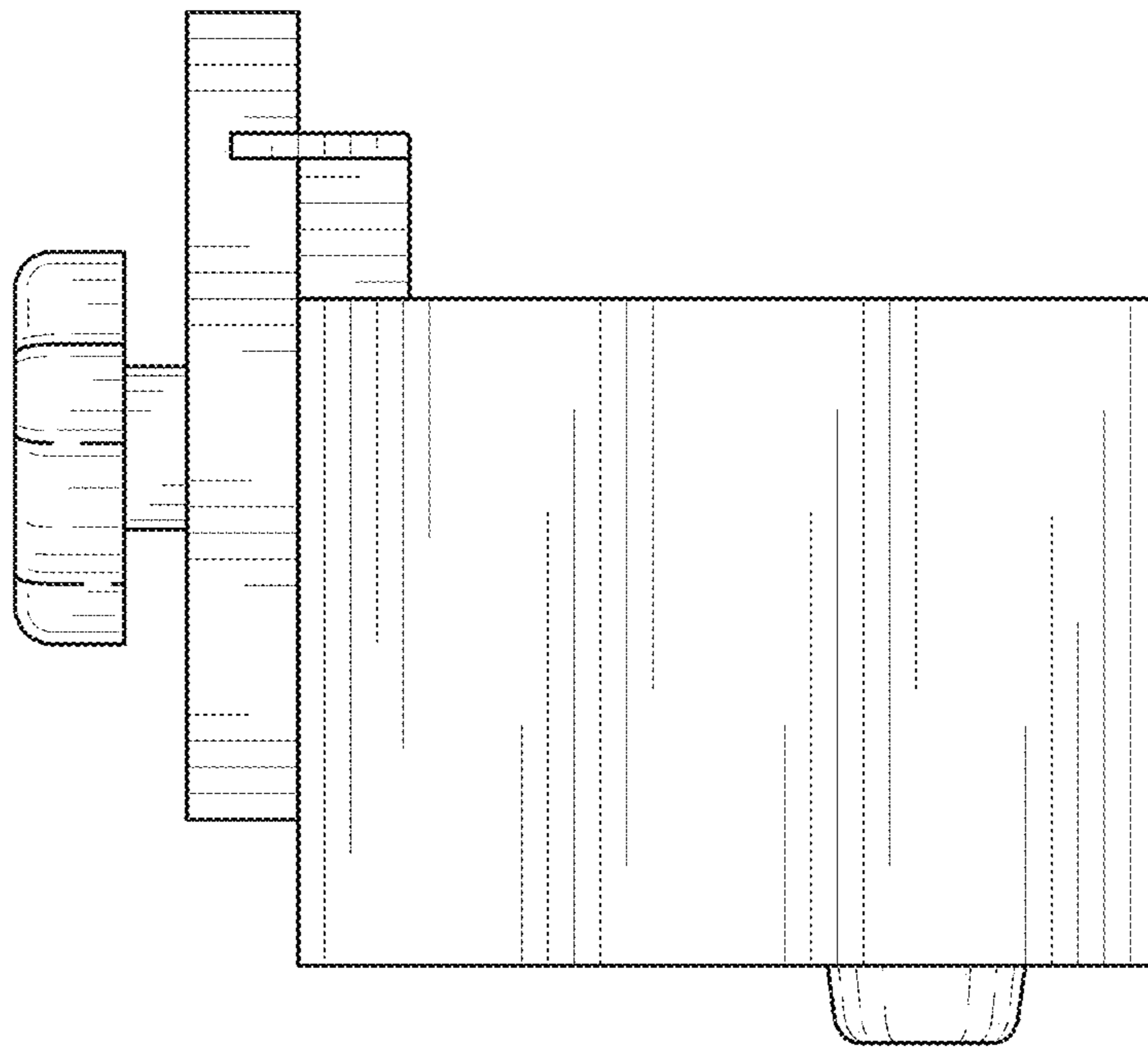
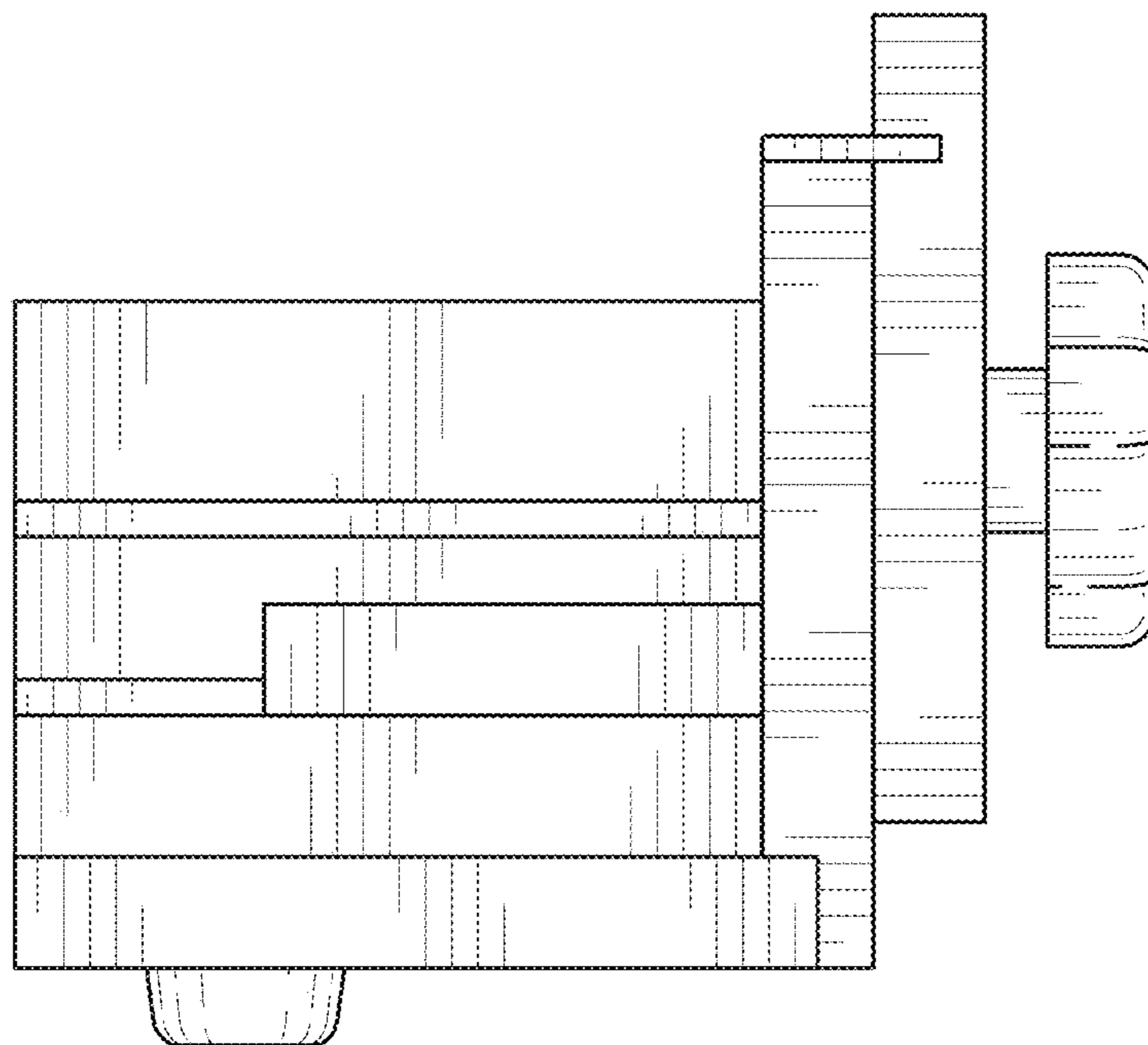


FIG. 3



**FIG. 4**



**FIG. 5**

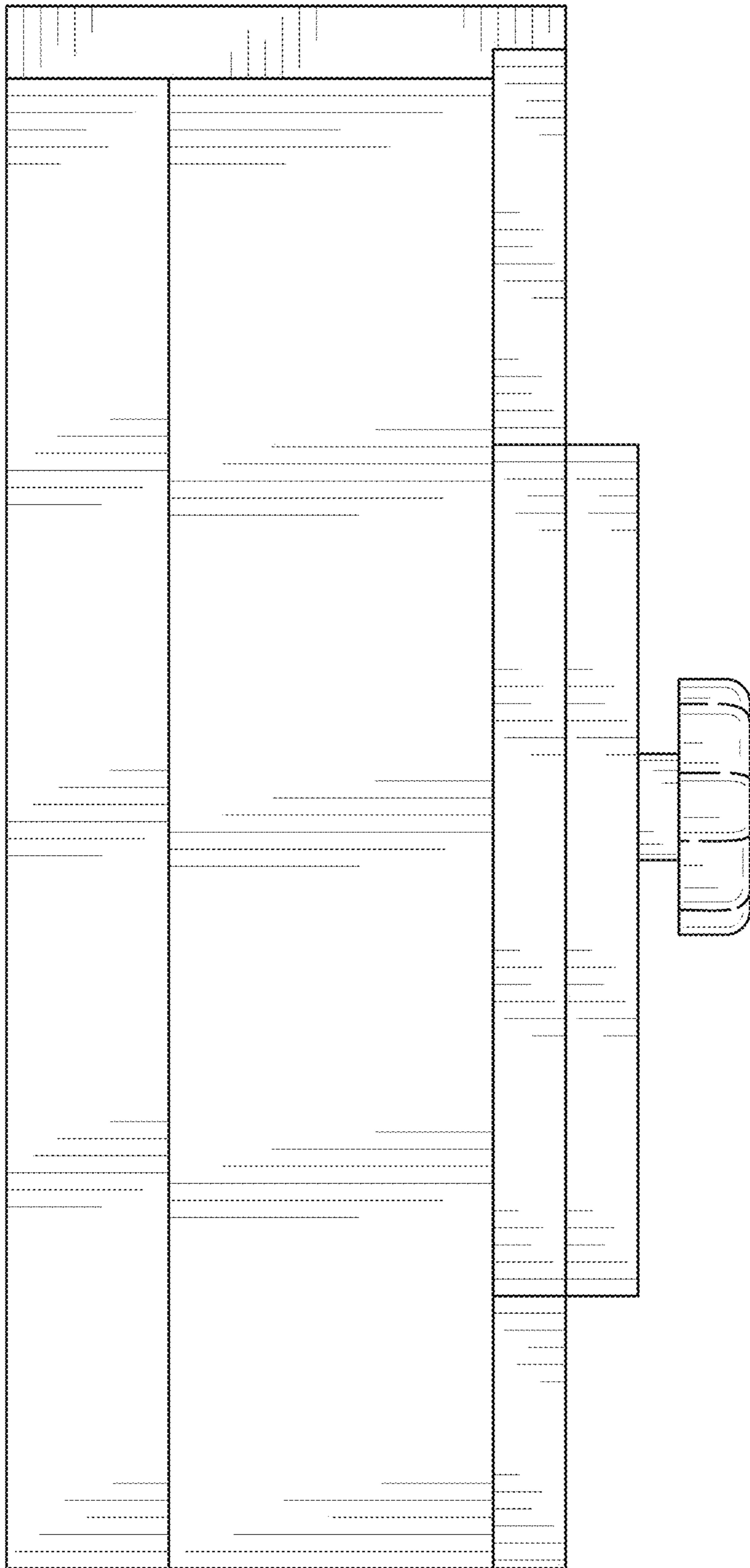


FIG. 6