



US00D883763S

(12) **United States Design Patent**
Valentini et al.

(10) **Patent No.:** **US D883,763 S**
(45) **Date of Patent:** **** May 12, 2020**

(54) **RANDOM ORBITAL SANDER**
(71) Applicant: **Andrea Valentini**, Milan (IT)
(72) Inventors: **Andrea Valentini**, Milan (IT);
Alessandro Donghi, Milan (IT)
(**) Term: **15 Years**
(21) Appl. No.: **29/658,698**

6,004,197 A * 12/1999 Huber B24B 23/03
451/357
D442,839 S * 5/2001 Cieri D8/62
D458,102 S * 6/2002 Tseng D8/62
6,855,040 B2 * 2/2005 Huber B24B 23/03
451/344
D518,696 S * 4/2006 Schoen D8/62
7,222,679 B1 * 5/2007 Dohogne B24B 23/005
15/97.1
D863,912 S * 10/2019 Yang D8/62

* cited by examiner

(22) Filed: **Aug. 2, 2018**

Primary Examiner — Austin Murphy

(30) **Foreign Application Priority Data**

(74) *Attorney, Agent, or Firm* — Ware, Fressola, Maguire & Barber LLP

Feb. 8, 2018 (EM) 004702066

(51) **LOC (12) Cl.** **08-03**

(52) **U.S. Cl.**
USPC **D8/62**

(58) **Field of Classification Search**
USPC D8/69, 68, 67, 66, 64, 61, 70; 83/698.41,
83/747, 166.3, 374, 373, 375, 376, 391,
83/377, 390, 388, 389; 125/13.01;
144/218; D21/532
CPC B24B 23/028; B24B 47/12; B24B 7/186;
B25F 5/001; B25F 5/02
See application file for complete search history.

(57) **CLAIM**

We claim the ornamental design of the random orbital sander, as shown and described herein.

DESCRIPTION

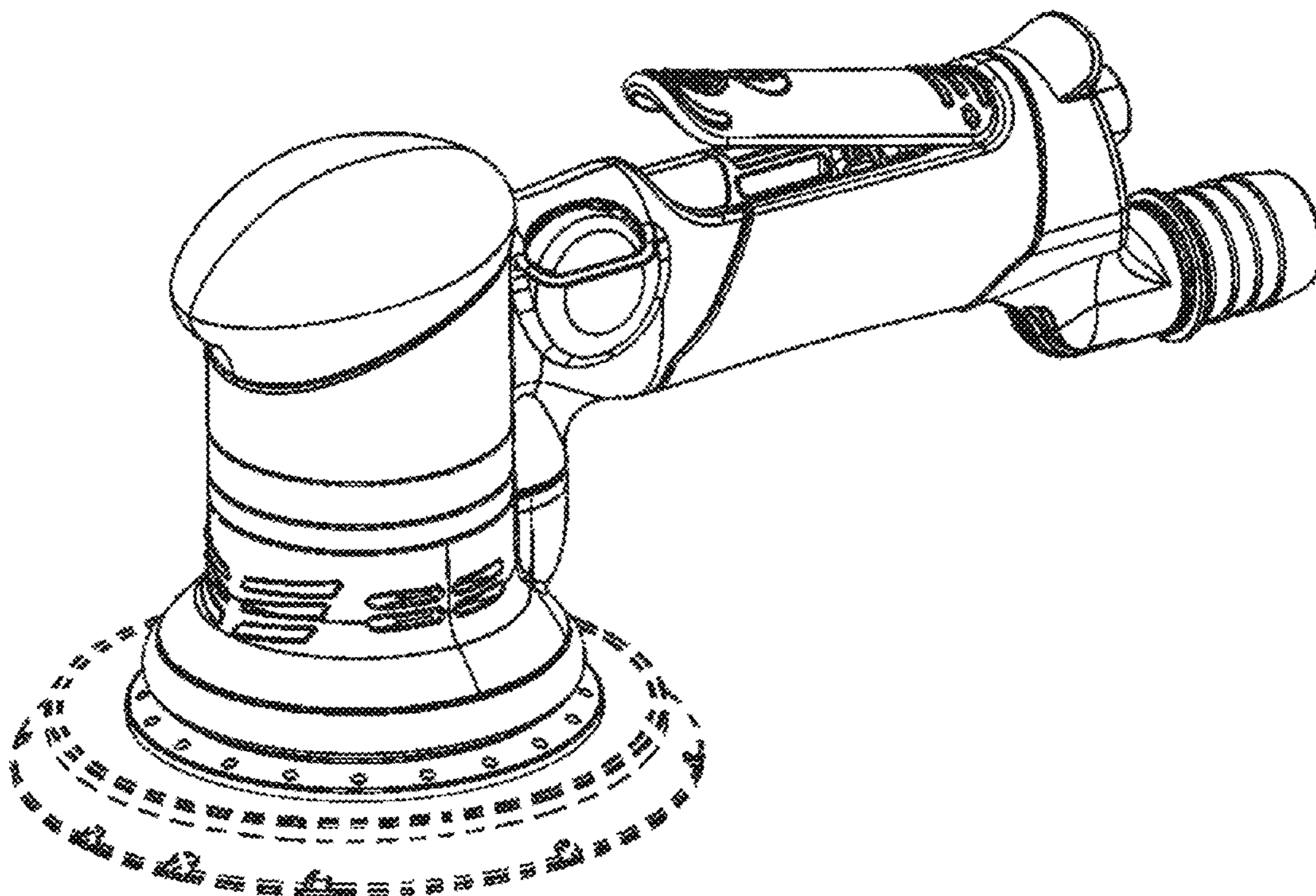
FIG. 1 shows a perspective view of a random orbital sander; FIG. 2 shows a left side view of a random orbital sander shown in FIG. 1; FIG. 3 shows a front view of a random orbital sander shown in FIG. 1; FIG. 4 shows a right side view of the random orbital sander shown in FIG. 1; FIG. 5 shows a back view of a random orbital sander shown in FIG. 1; FIG. 6 shows a bottom view of a random orbital sander shown in FIG. 1; and, FIG. 7 shows a top view of a random orbital sander shown in FIG. 1.

(56) **References Cited**

U.S. PATENT DOCUMENTS

D350,266 S * 9/1994 Huber D8/62
D350,886 S * 9/1994 Huber D8/62
D351,976 S * 11/1994 Morey D8/62
D378,728 S * 4/1997 Seith D8/62

1 Claim, 7 Drawing Sheets



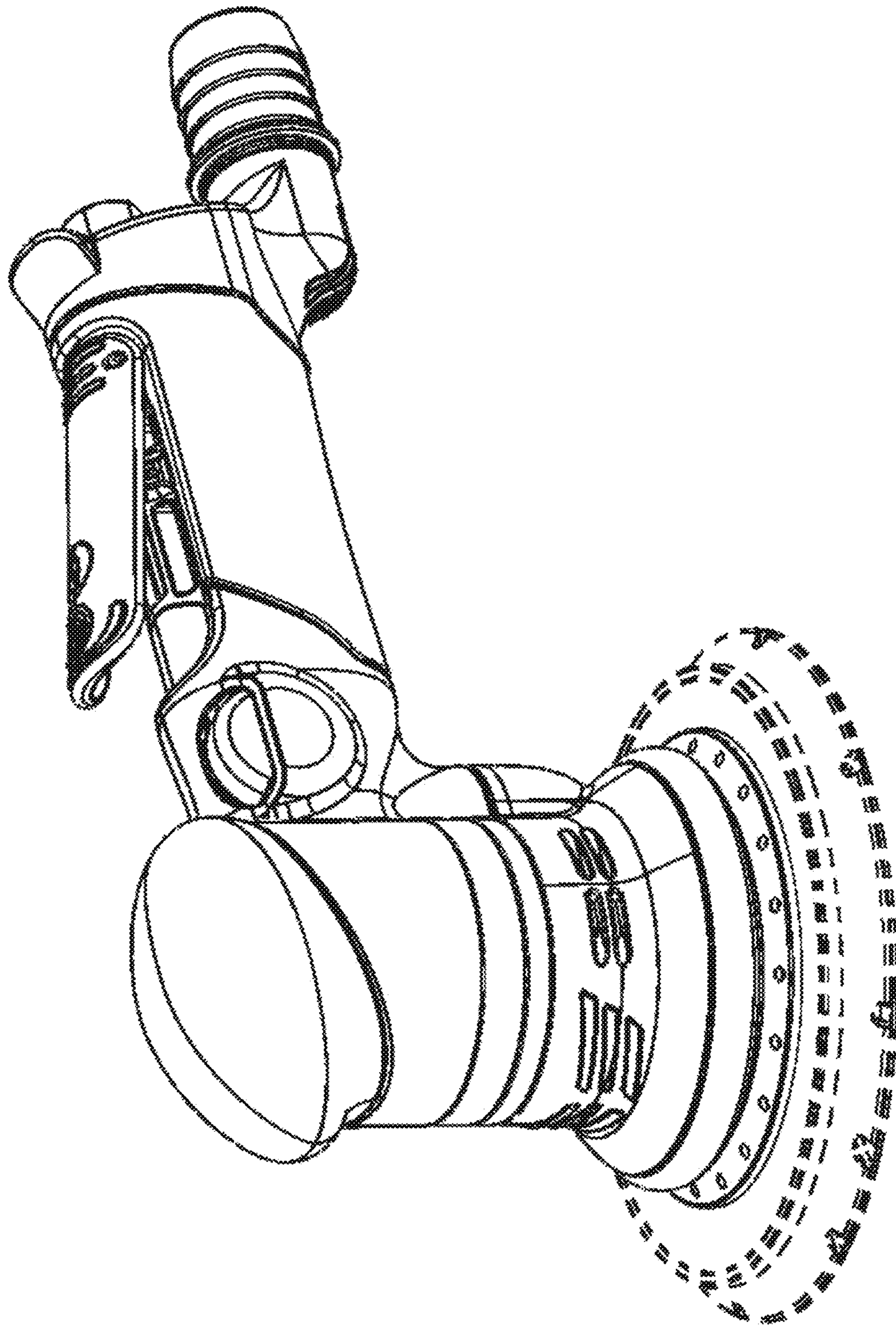


FIGURE 1

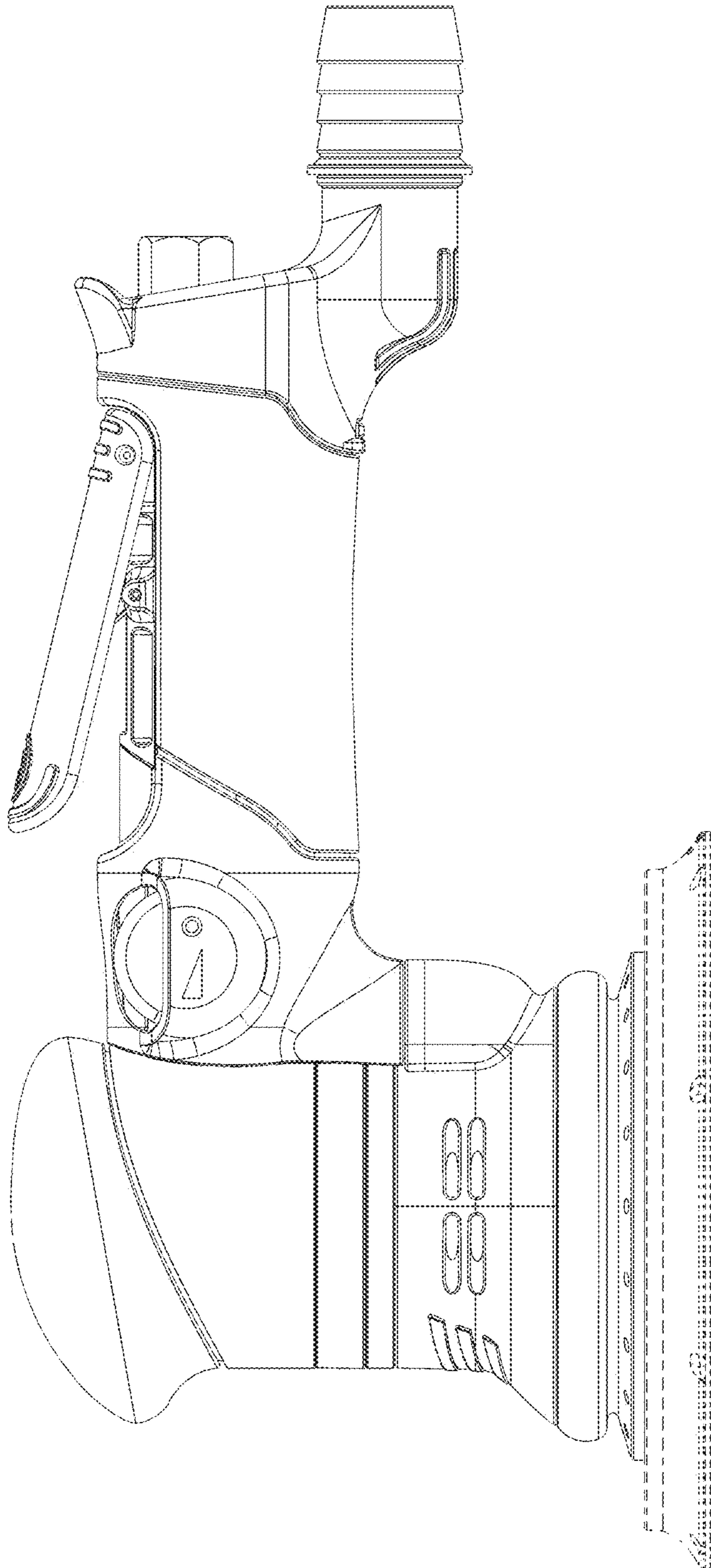


FIGURE 2

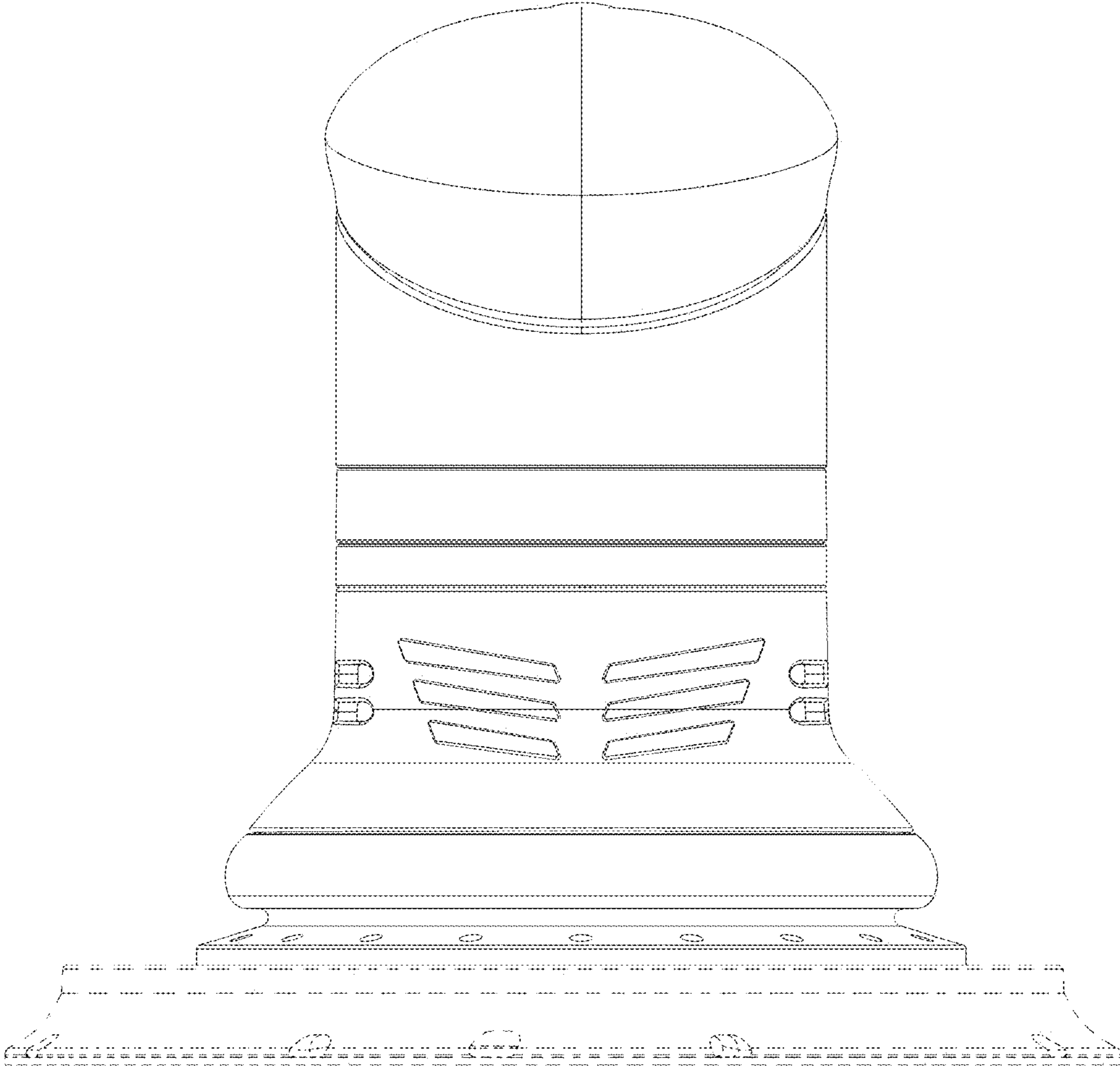


FIGURE 3

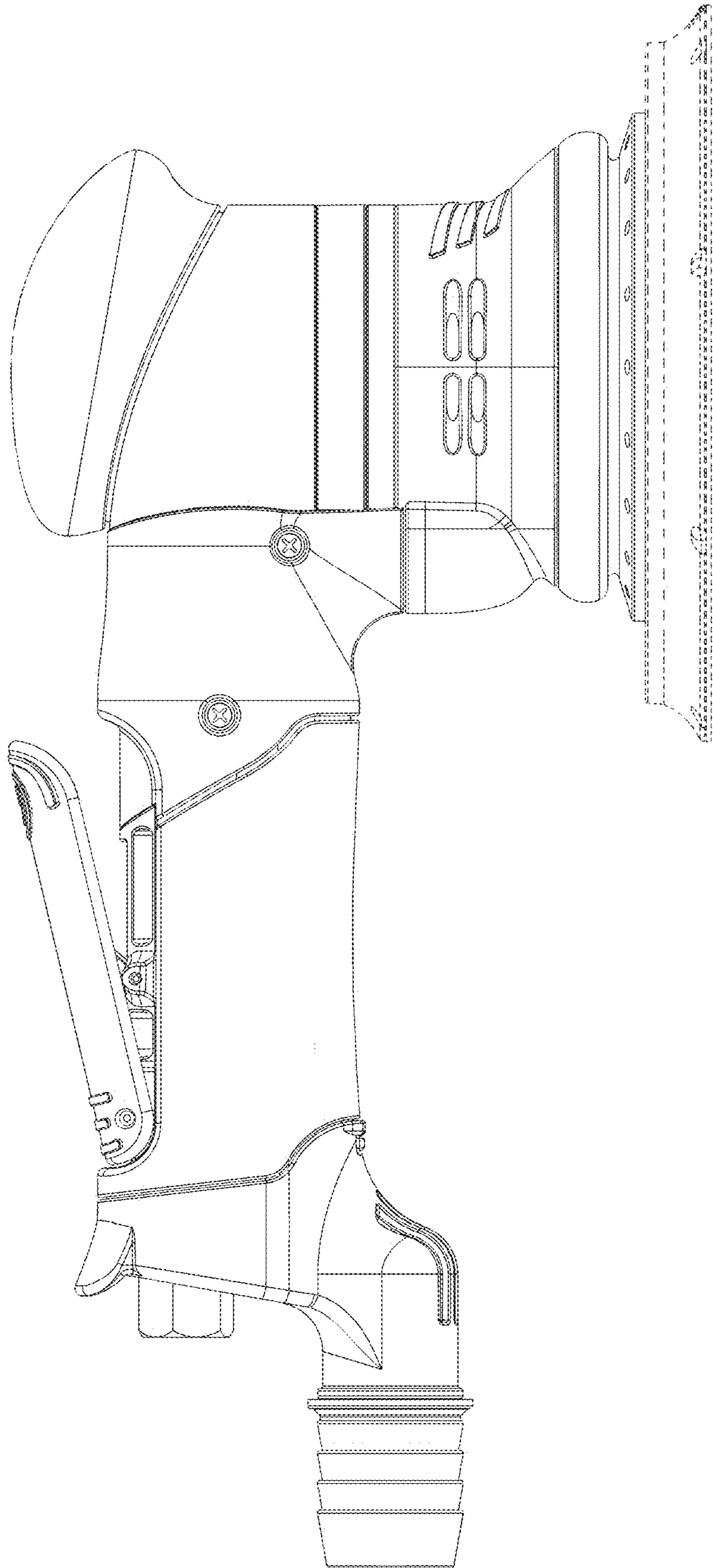


FIGURE 4

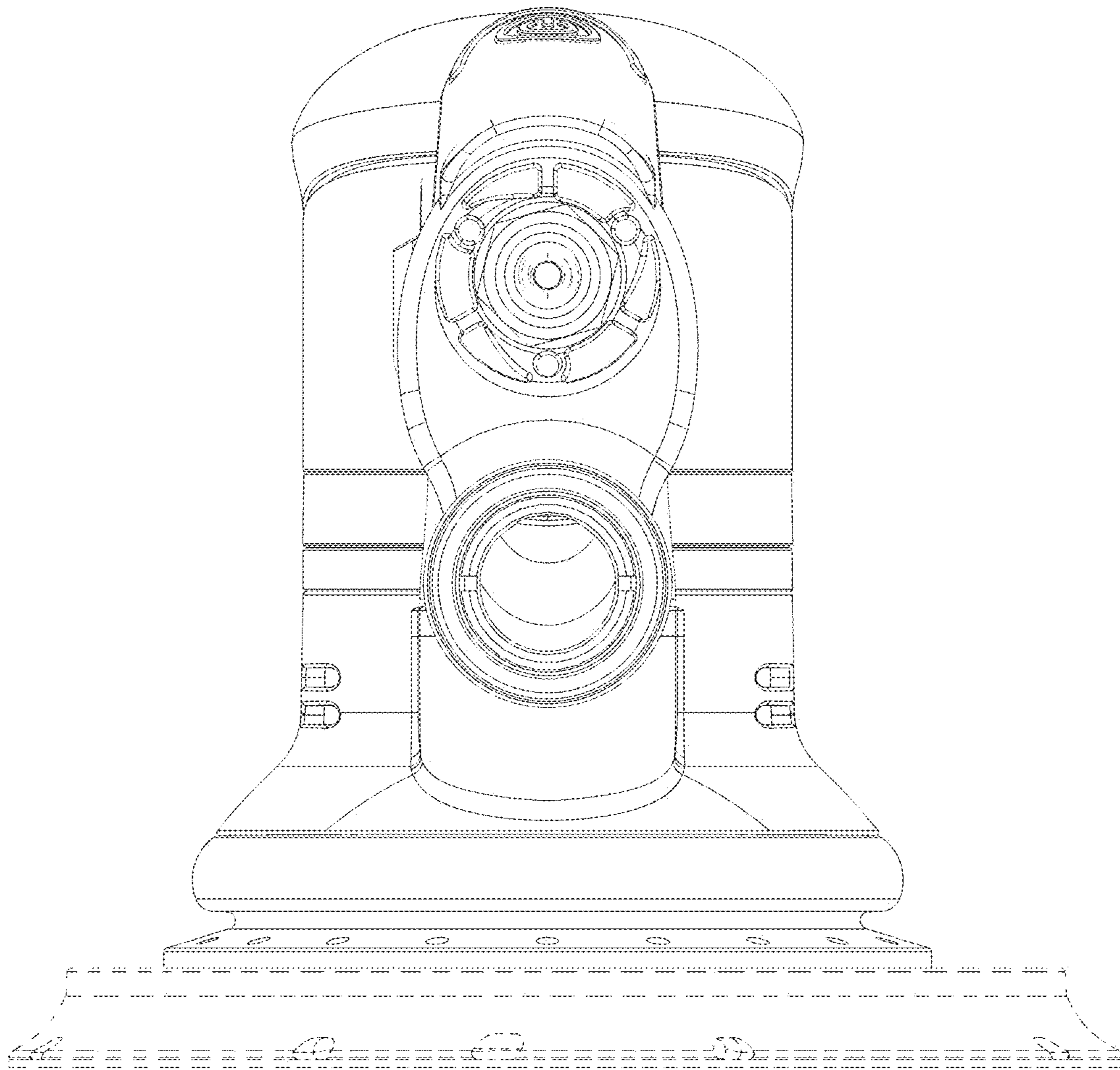


FIGURE 5

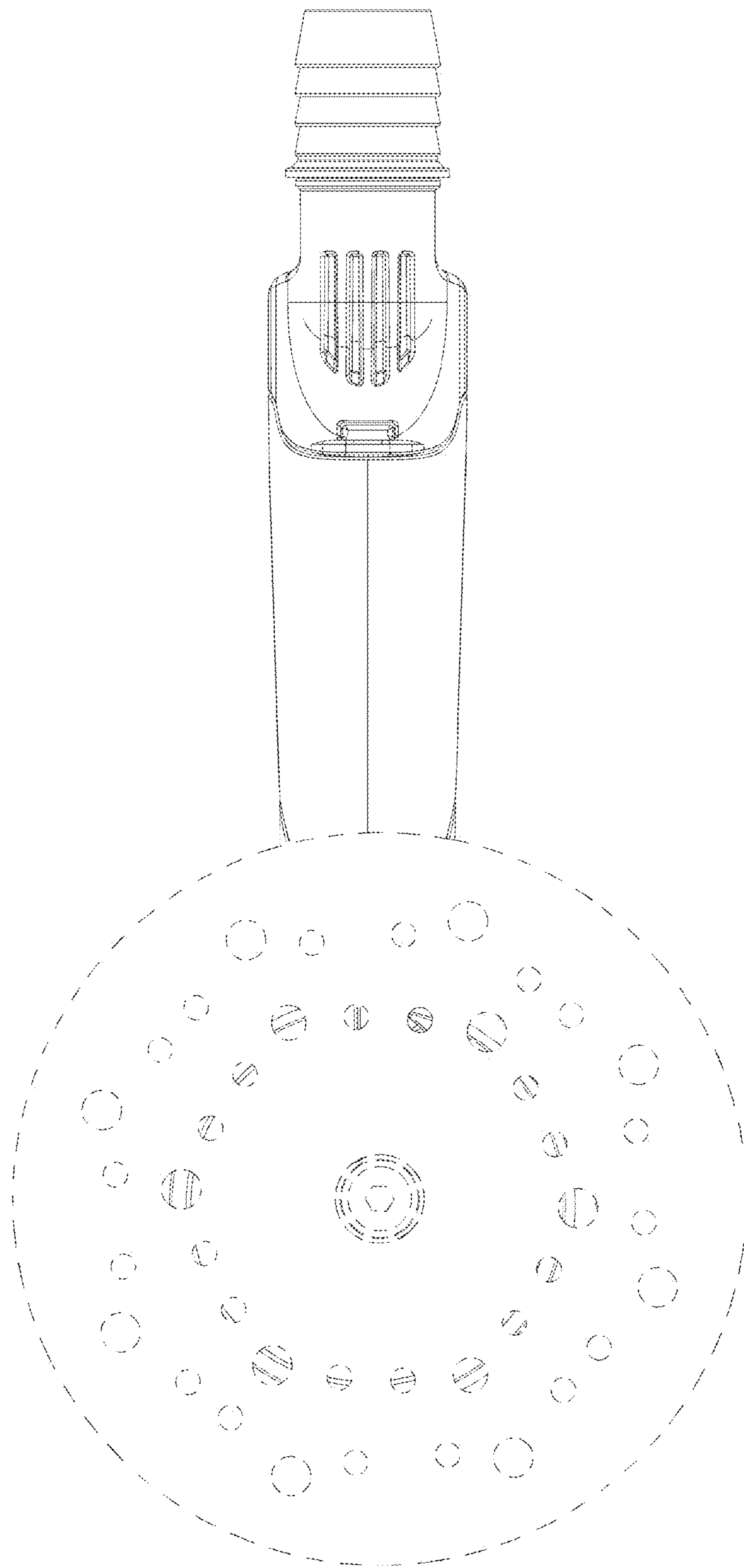


FIGURE 6

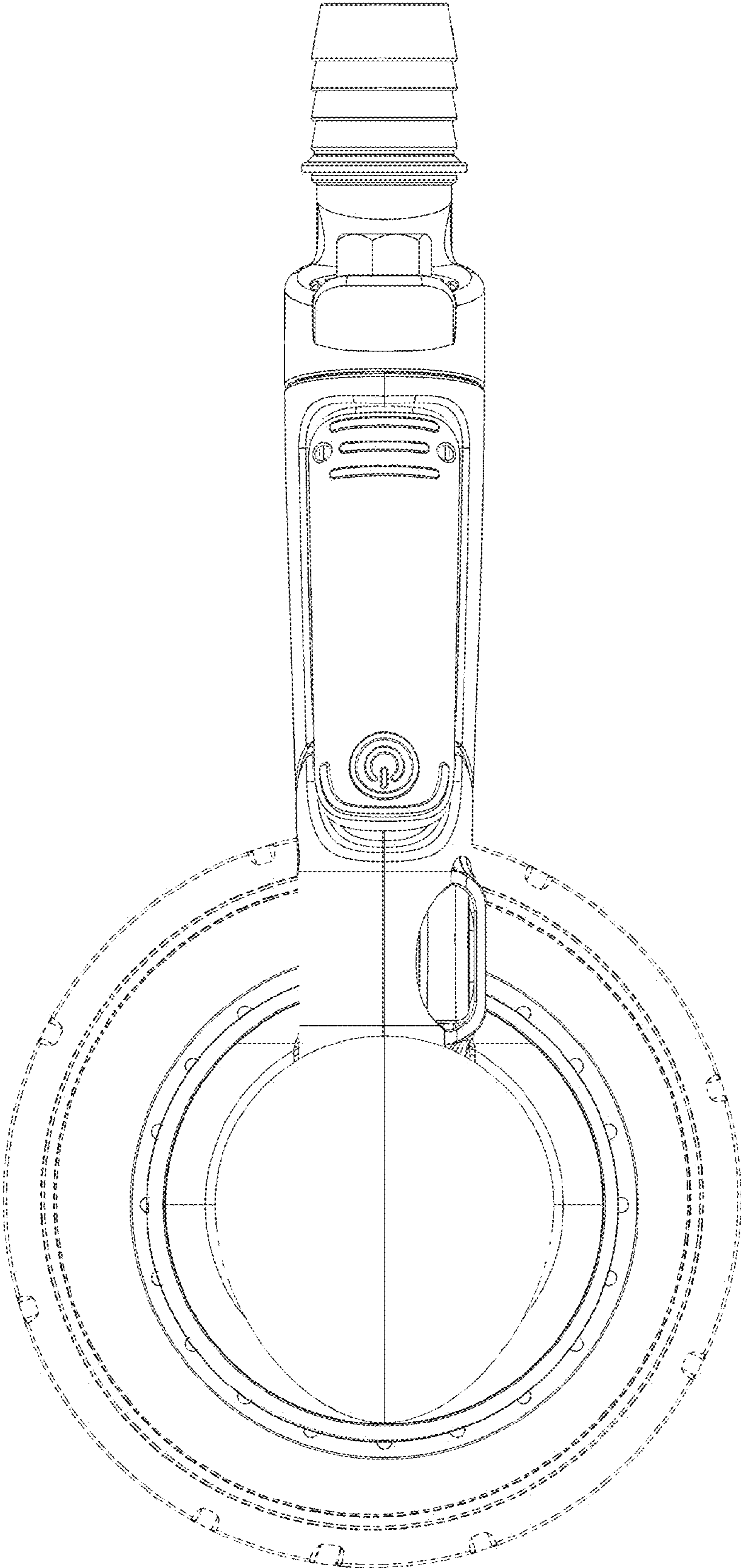


FIGURE 7