



US00D883762S

(12) **United States Design Patent**  
**Thompson et al.**

(10) **Patent No.:** **US D883,762 S**

(45) **Date of Patent:** **\*\* May 12, 2020**

(54) **POWER TOOL**

(71) Applicant: **BLACK & DECKER INC.**, New Britain, CT (US)

(72) Inventors: **Samuel P. Thompson**, Newcastle Upon Tyne (GB); **Evan G. Eskridge**, Baltimore, MD (US); **Liu Chao Lien**, Taichung (TW); **Matthew C. Francis**, Baltimore, MD (US)

(73) Assignee: **BLACK & DECKER INC.**, New Britain, CT (US)

(\*\*) Term: **15 Years**

(21) Appl. No.: **29/676,036**

(22) Filed: **Jan. 8, 2019**

(51) **LOC (12) Cl.** ..... **08-05**

(52) **U.S. Cl.**  
USPC ..... **D8/61**

(58) **Field of Classification Search**  
USPC ..... D8/70, 82, 85-87, 105; D15/139;  
81/436, 460-461

CPC ..... B25B 13/06; B25B 13/5091; B25B 15/00;  
B25B 15/001; B25B 15/002; B25B  
15/004; B25B 15/005; B25B 15/008;  
B25B 15/02; B25B 15/04; B25B 17/00;  
B25B 21/007; B25B 23/00; B25B  
23/0035; B25B 23/005; B25B 23/12;  
B25B 23/1405; B25B 27/18; B25B 31/12;  
B25B 51/08; B25B 51/108; B25B  
2251/66; B23P 15/00

See application file for complete search history.

(56) **References Cited**

**U.S. PATENT DOCUMENTS**

D429,983 S \* 8/2000 Fu-Hui ..... D8/107  
D440,848 S \* 4/2001 Izumisawa ..... D8/61

D447,029 S \* 8/2001 Sun ..... D8/61  
D456,231 S \* 4/2002 Chen ..... D8/61  
D468,173 S \* 1/2003 Morgan ..... D8/61  
D492,176 S \* 6/2004 Chen ..... D8/61  
D492,561 S \* 7/2004 Chen ..... D8/61  
D492,562 S \* 7/2004 Chen ..... D8/61  
D498,398 S \* 11/2004 Chen ..... D8/61  
D499,000 S \* 11/2004 Chen ..... D8/61  
D658,464 S \* 5/2012 Kawase ..... D8/61  
D660,117 S \* 5/2012 Bublitz ..... D8/61  
D682,647 S \* 5/2013 Yaschur ..... D8/61  
D689,754 S \* 9/2013 Hayakawa ..... D8/61  
D849,494 S \* 5/2019 Feuerstein ..... D8/61

\* cited by examiner

*Primary Examiner* — Austin Murphy

(74) *Attorney, Agent, or Firm* — Adan Ayala

(57) **CLAIM**

The ornamental design for a power tool, as shown and described.

**DESCRIPTION**

FIG. 1 is a front perspective view of a power tool according to the invention.

FIG. 2 is a left view of the power tool of FIG. 1.

FIG. 3 is a right view of the power tool of FIG. 1.

FIG. 4 is a front side view of the power tool of FIG. 1.

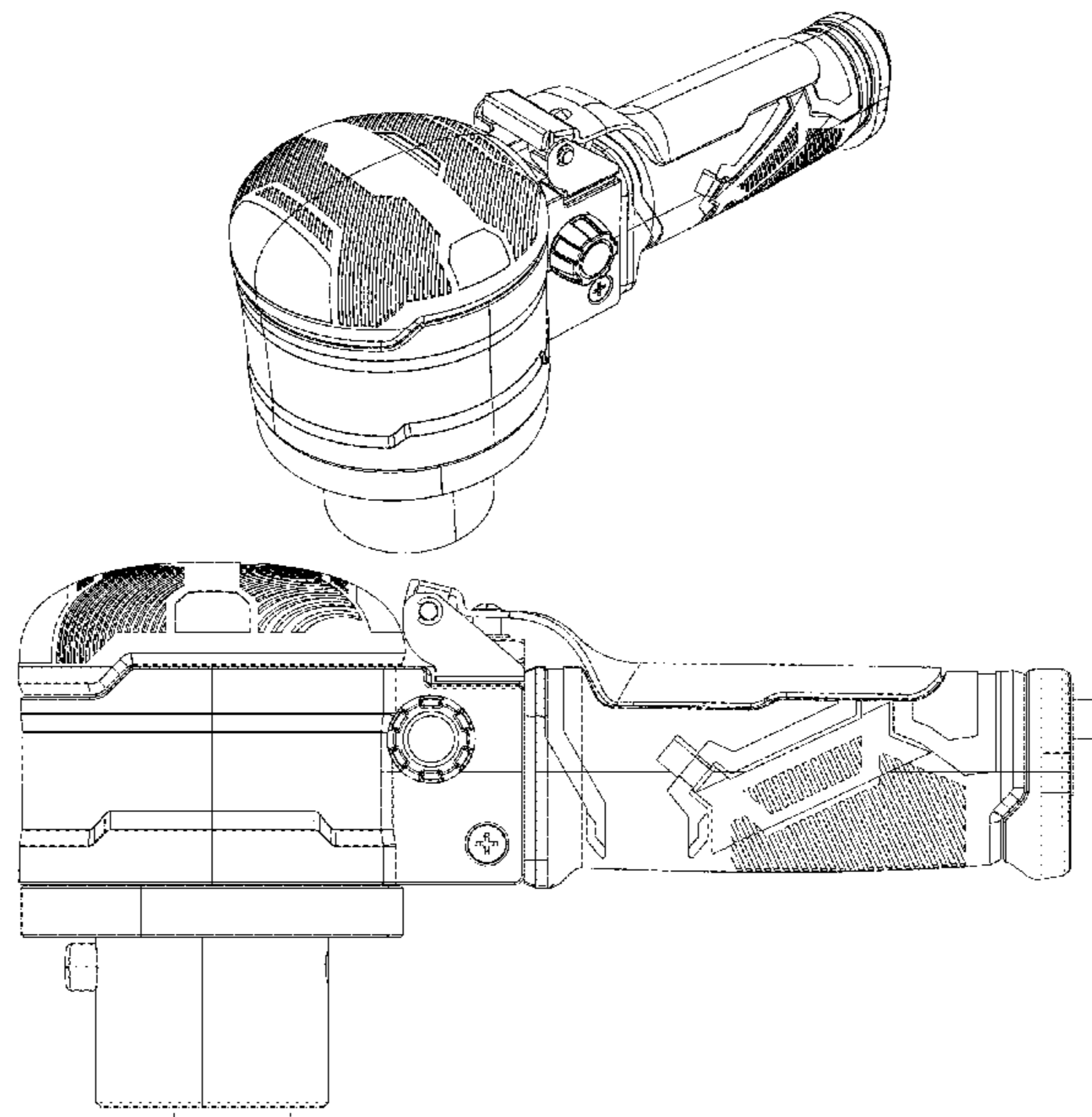
FIG. 5 is a rear side view of the power tool of FIG. 1.

FIG. 6 is a top plan view of the power tool of FIG. 1.

FIG. 7 is a bottom plan view of the power tool of FIG. 1; and,

FIG. 8 is another front perspective view of the power tool of FIG. 1.

**1 Claim, 6 Drawing Sheets**



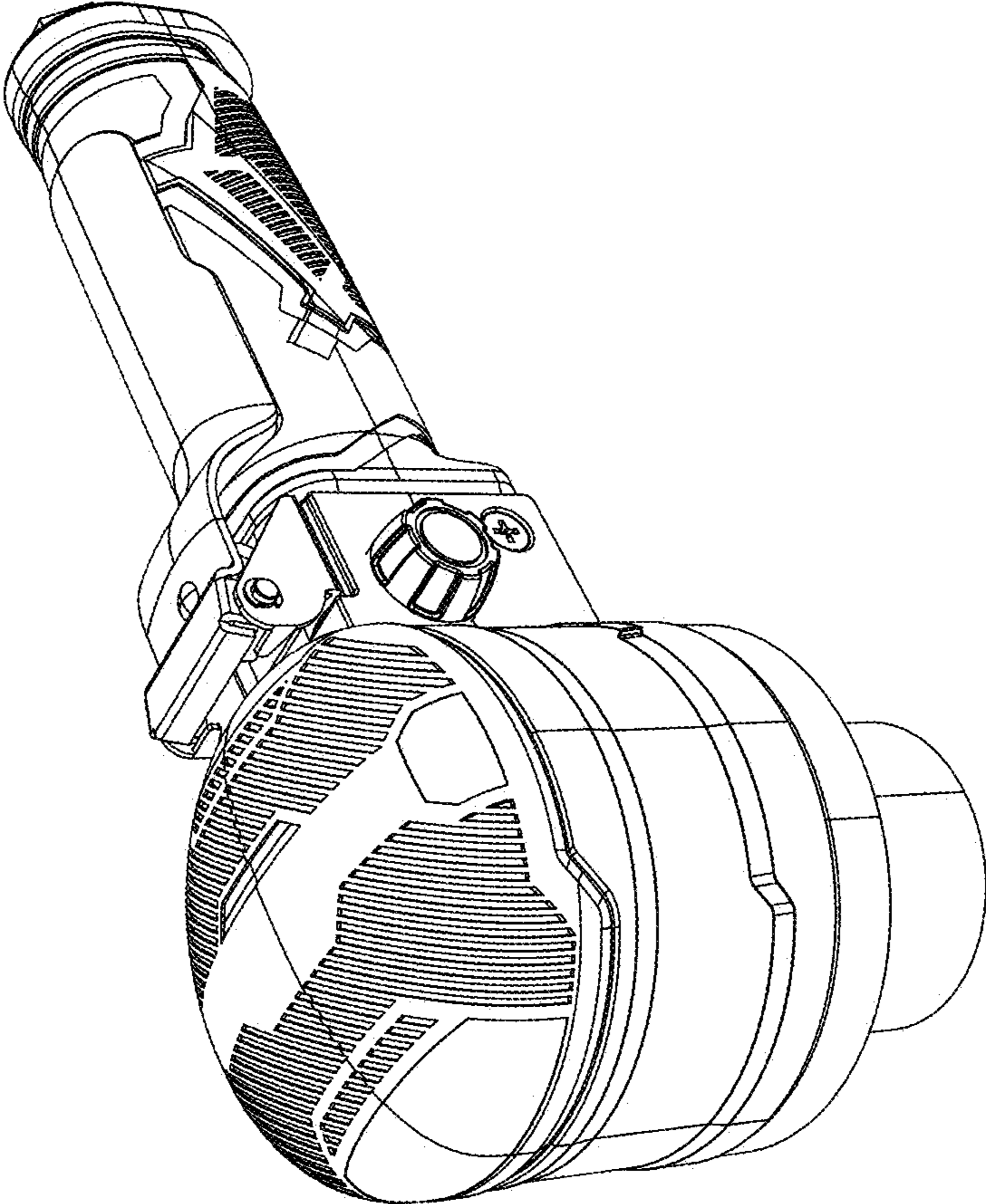


FIG. 1

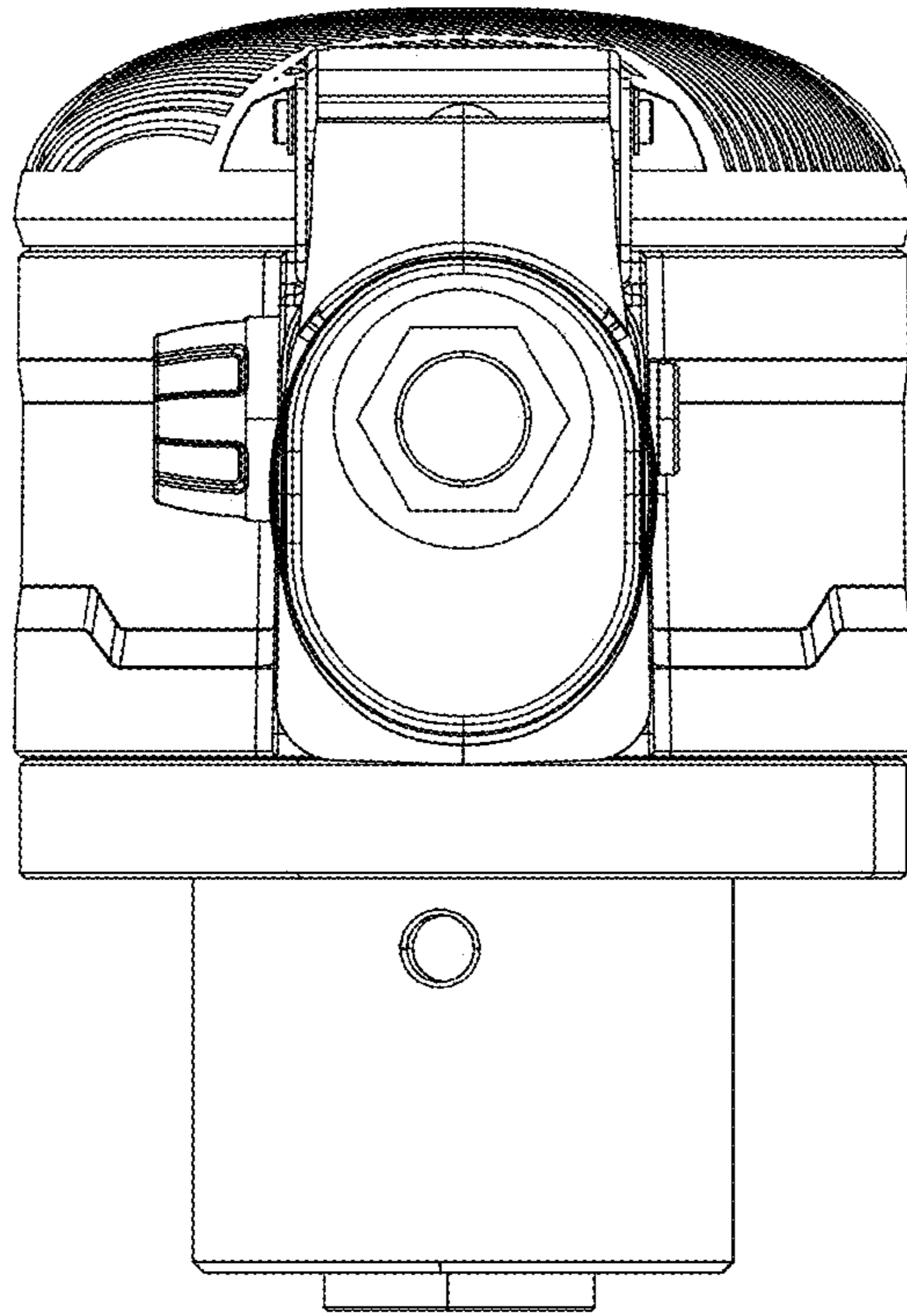


FIG. 3

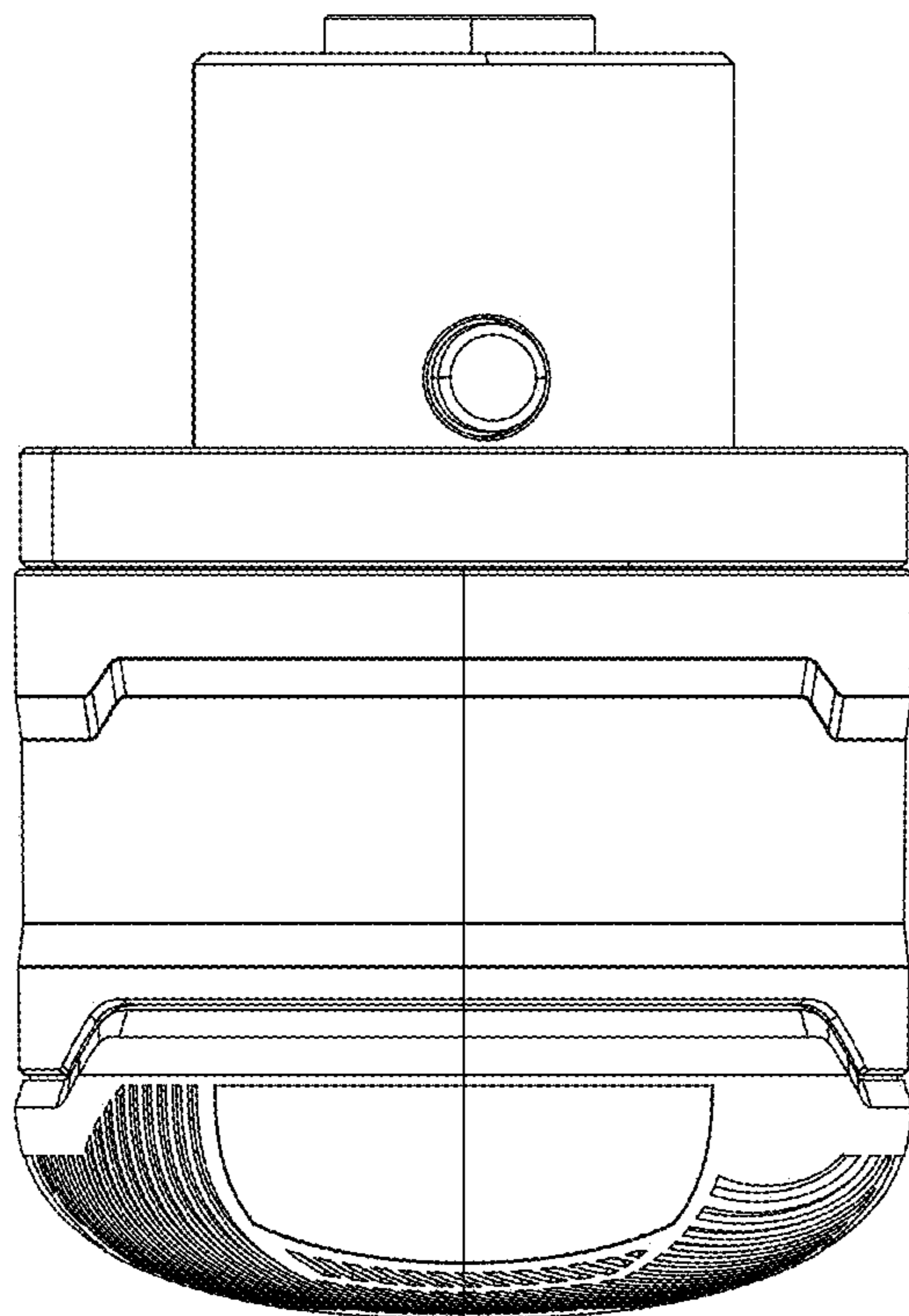


FIG. 2



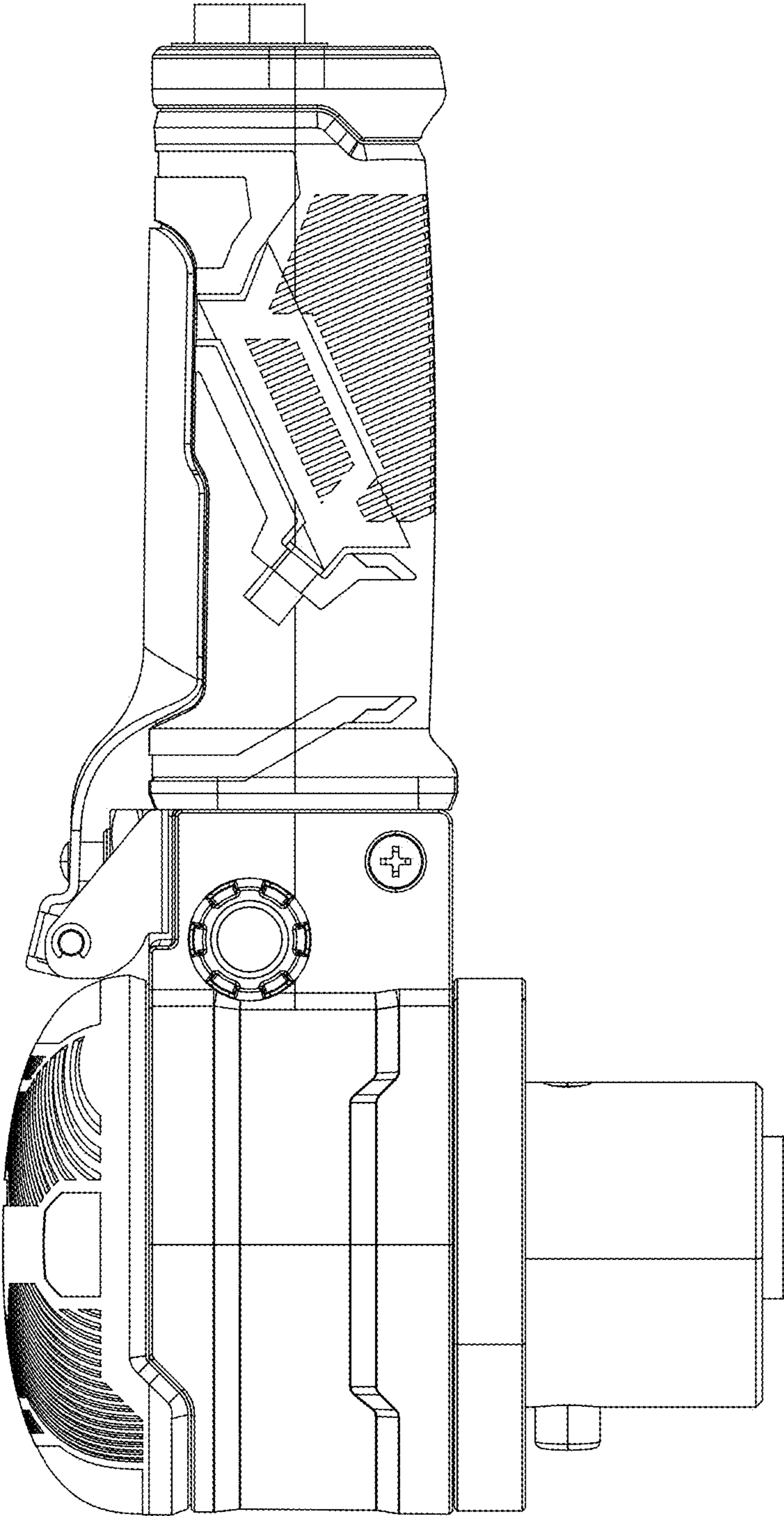


FIG. 4

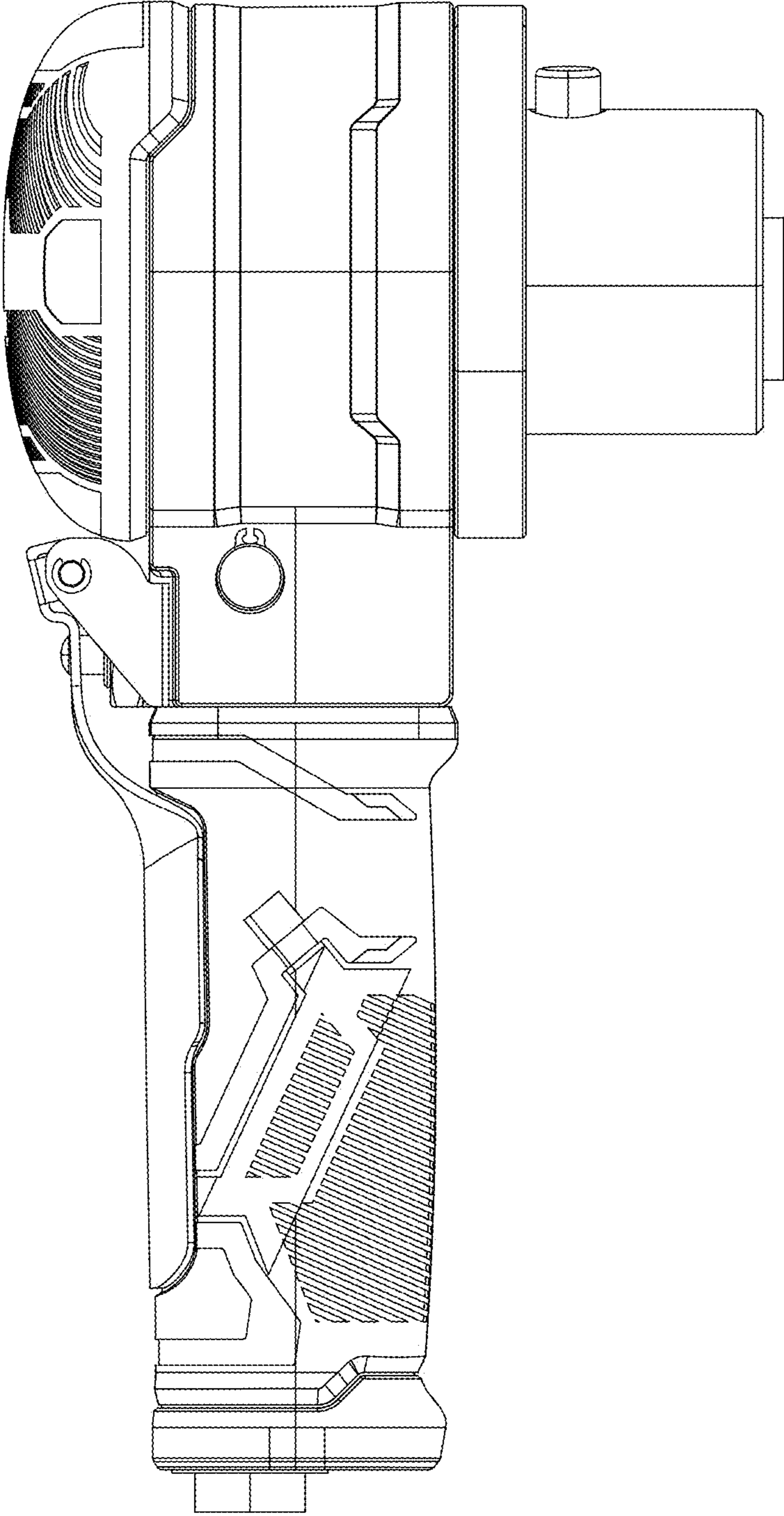


FIG. 5

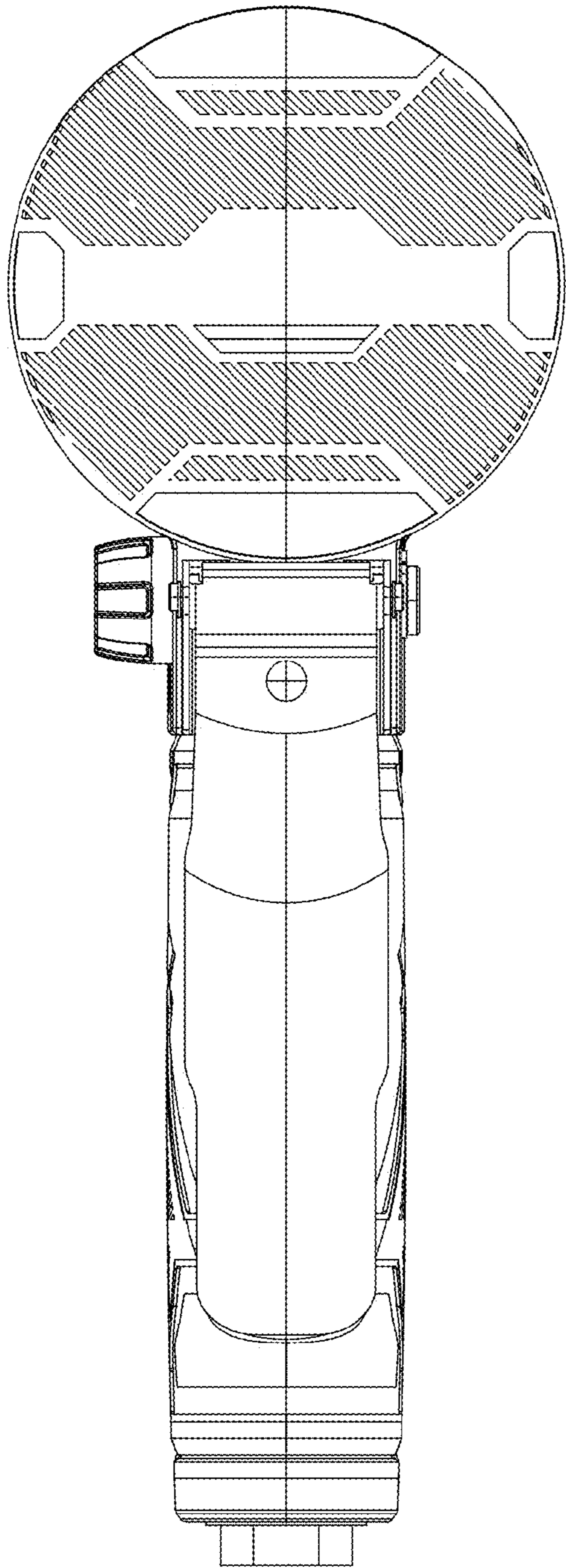


FIG. 6

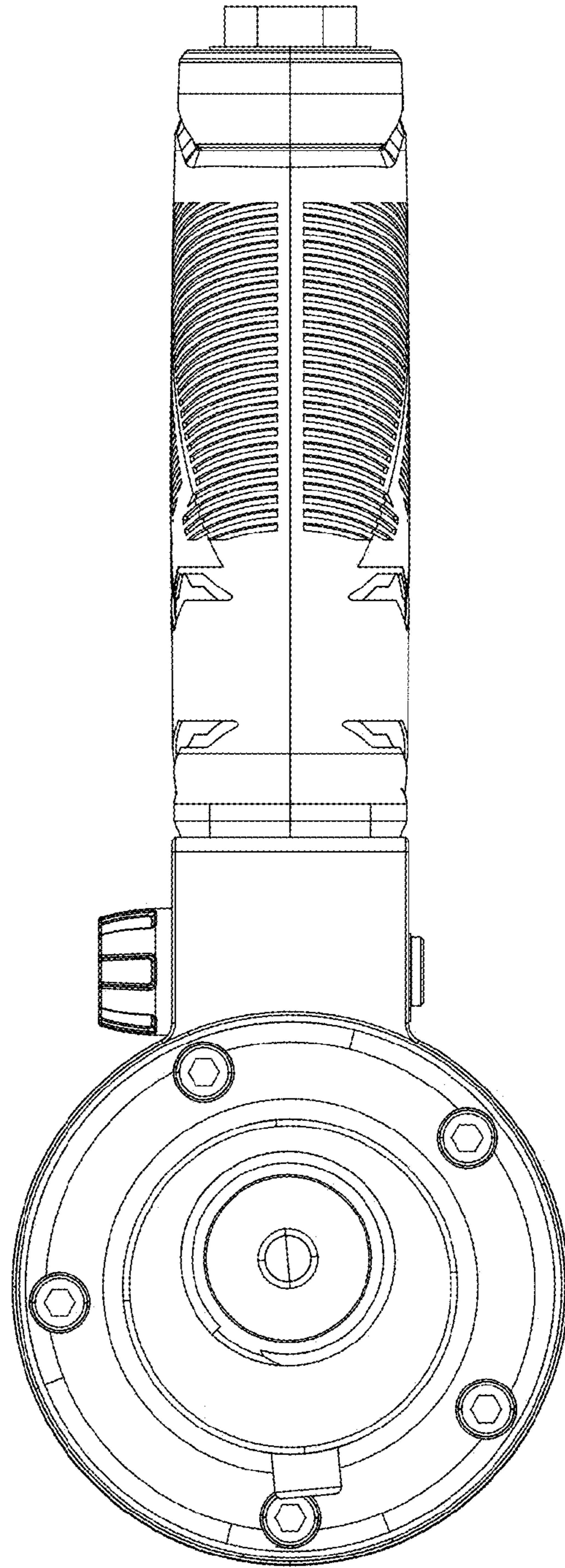


FIG. 7



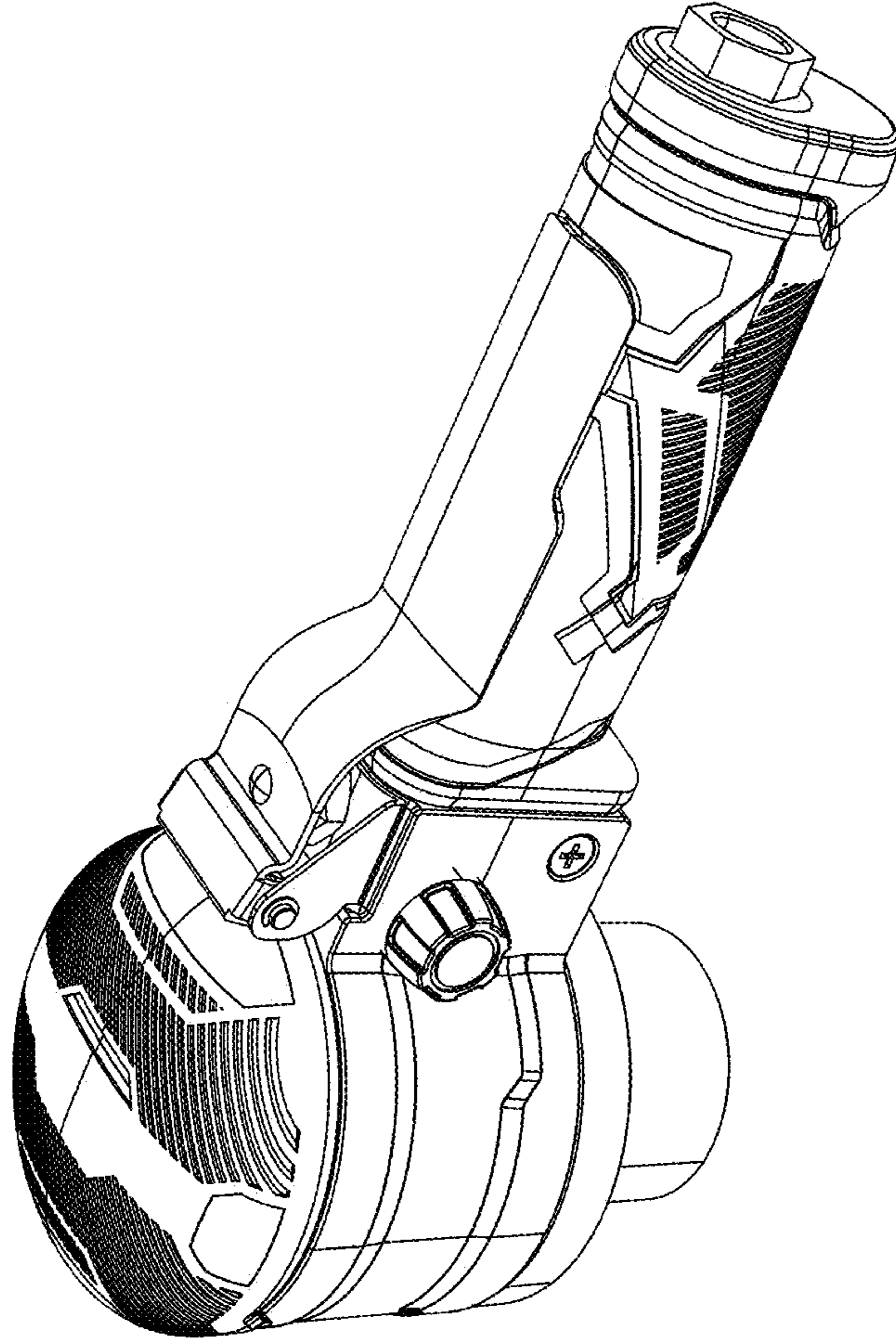


FIG. 8